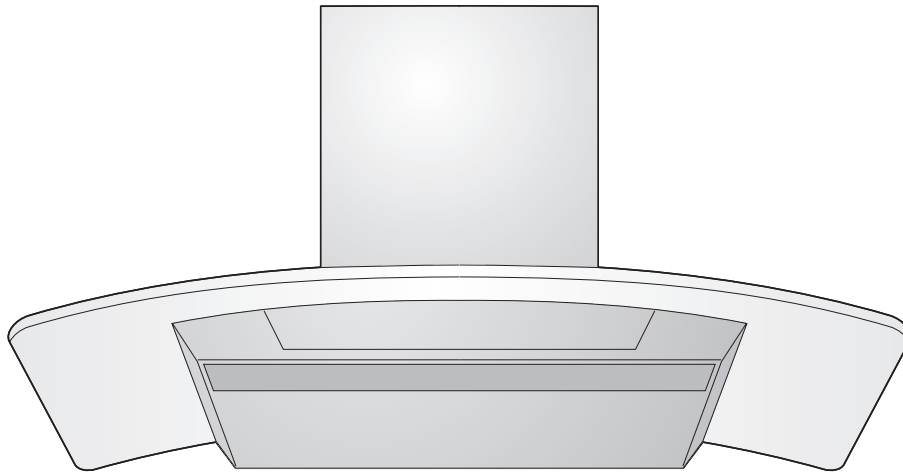


# Factory Parts Catalog

---

## Range Hood



PRODUCT NO.	BASE MODEL NO.	BRAND/SERIES	MARKET	COLOR
PLHV36W7CC	PLHV36W7C	Electrolux	North America	stainless/glass
PRODUCT NO.	EXHAUST-CFM	VOLTAGE	OWNER'S GUIDE	INSTR. INSTR.
PLHV36W7CC	405 CFM	120	316137228	316137228
PRODUCT NO.	WIRING DIAGRAM	PRODUCTION DATE		
PLHV36W7CC	5995397865	2004		

Publication No.

5995397865

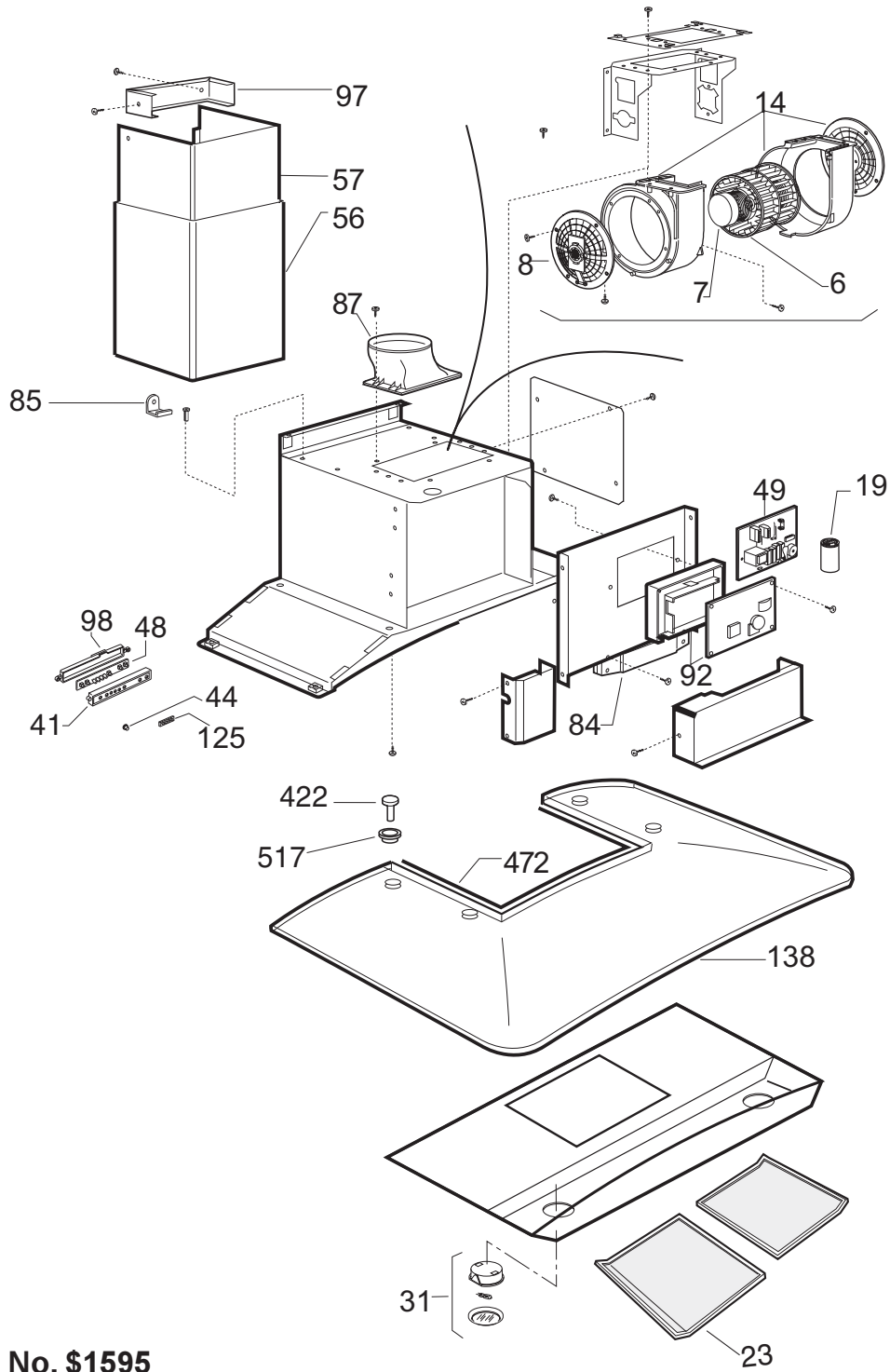
031024

-EN/SERVICE /KC  
099

# Electrolux

ELECTROLUX HOME PRODUCTS, INC.  
P.O. Box 212378, Augusta, GA 30917

REPLACEMENT PARTS



Exploded No. \$1595

## REPLACEMENT PARTS

POS. NO	PART NO	DESCRIPTION
6 #	5304425236	Blower Wheel,fan
7 #	5304425237	Motor,blower fan
8	5304425238	Support,motor
14	5304425239	Housing,blower fan
19 #	5304425240	Capacitor,12.5 microfarad
23 #	5304435306	Filter,grease ,aluminum ,washable
31 #	5304425242	Lamp Assy,halogen G4 base,20 W,12 V, w/holder,cover
41	5304435307	Control Panel
44	5304425267	Pushbutton,control key ,chrome
48 #	5304425268	Switch,control board
49 #	5304425269	Control Board,printed circuit ,module
56	5304435655	Chimney,duct cover ,lower ,fixed
57	5304435309	Chimney,duct cover ,upper ,sliding
84 #	5304425272	Transformer,60 Hz ,120 V
85	5304425273	Bracket,mounting hook ,hood rear
87	5304425254	Connector,transition duct
92	5304425274	Control Box
97	5304425275	Bracket,chimney support ,ceiling/rear
98	5304435310	Cover,switch
125	5304425277	Cover,plaque ,glass
138	5304435311	Canopy,mantle ,glass
422	5304435312	Screw,canopy mounting ,M6 x 20
472	5304425281	Gasket,canopy seal ,rubber
517	5304425282	Bushing,washer ,canopy screw

WIRING DIAGRAM

Electrical scheme SE052A

