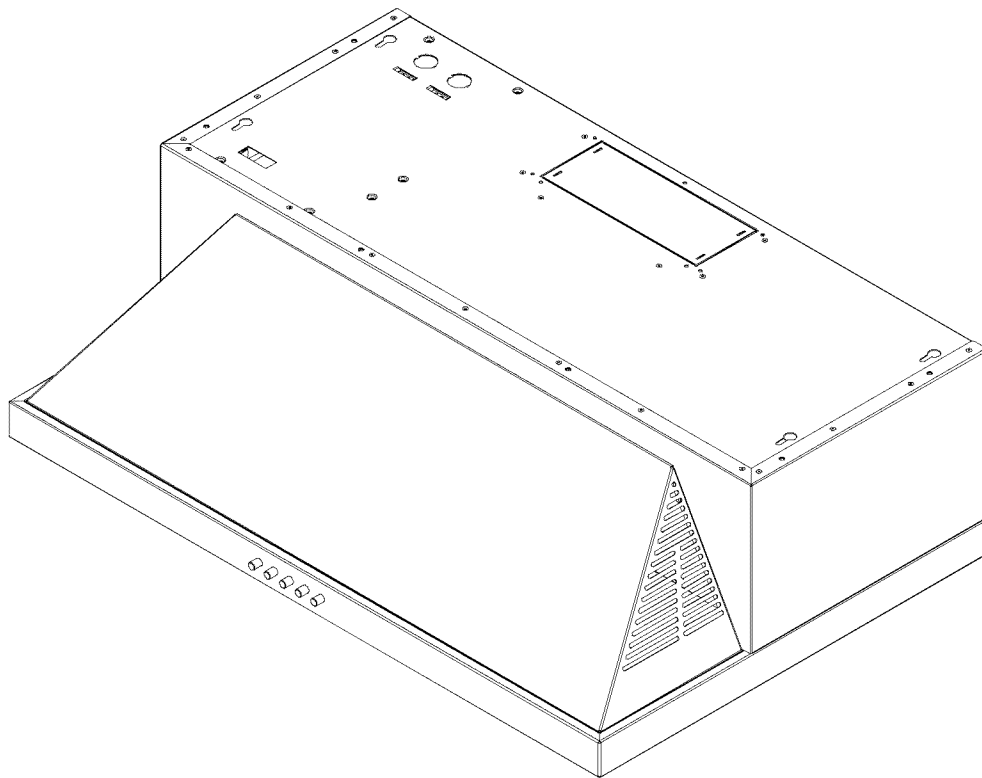

30" (76.2 CM) AND 36" (91.4 CM) RANGE HOOD

Installation Instructions and Use & Care Guide

HOTTE D'ASPIRATION DE 30" (76,2 CM) ET 36" (91,4 CM)

Instructions d'installation et Guide d'utilisation et d'entretien

Table of Contents/Table des matières..... 2



**IMPORTANT: READ AND SAVE THESE INSTRUCTIONS.
FOR RESIDENTIAL USE ONLY.**
**IMPORTANT : LIRE ET CONSERVER CES INSTRUCTIONS.
POUR UTILISATION RÉSIDENNELLE UNIQUEMENT.**

TABLE OF CONTENTS

RANGE HOOD SAFETY	2
INSTALLATION REQUIREMENTS	4
Tools and Parts	4
Location Requirements	4
Venting Requirements	5
Electrical Requirements	6
INSTALLATION INSTRUCTIONS	7
Prepare Location	7
Install Range Hood	9
Complete Installation	10
RANGE HOOD USE	10
Range Hood Controls	11
RANGE HOOD CARE	11
Cleaning	11
WIRING DIAGRAM	12
ASSISTANCE OR SERVICE	13
In the U.S.A.	13
In Canada	13
Accessories	13
WARRANTY	14

TABLE DES MATIÈRES

SÉCURITÉ DE LA HOTTE DE CUISINIÈRE	15
EXIGENCES D'INSTALLATION	17
Outils et pièces	17
Exigences d'emplacement	17
Exigences concernant l'évacuation	18
Spécifications électriques	20
INSTRUCTIONS D'INSTALLATION	20
Préparation de l'emplacement	20
Installation de la hotte	22
Achever l'installation	24
UTILISATION DE LA HOTTE	24
Commandes de la hotte de cuisinière	24
ENTRETIEN DE LA HOTTE	25
Nettoyage	25
SCHÉMA DE CÂBLAGE	26
ASSISTANCE OU SERVICE	27
Au Canada	27
Accessoires	27
GARANTIE	27

RANGE HOOD SAFETY

Your safety and the safety of others are very important.

We have provided many important safety messages in this manual and on your appliance. Always read and obey all safety messages.



This is the safety alert symbol.

This symbol alerts you to potential hazards that can kill or hurt you and others.

All safety messages will follow the safety alert symbol and either the word "DANGER" or "WARNING."

These words mean:

⚠ DANGER

You can be killed or seriously injured if you don't immediately follow instructions.

⚠ WARNING

You can be killed or seriously injured if you don't follow instructions.

All safety messages will tell you what the potential hazard is, tell you how to reduce the chance of injury, and tell you what can happen if the instructions are not followed.

IMPORTANT SAFETY INSTRUCTIONS

WARNING: TO REDUCE THE RISK OF FIRE, ELECTRIC SHOCK, OR INJURY TO PERSONS, OBSERVE THE FOLLOWING:

- Use this unit only in the manner intended by the manufacturer. If you have questions, contact the manufacturer.
- Before servicing or cleaning the unit, switch power off at service panel and lock the service disconnecting means to prevent power from being switched on accidentally. When the service disconnecting means cannot be locked, securely fasten a prominent warning device, such as a tag, to the service panel.
- Installation work and electrical wiring must be done by qualified person(s) in accordance with all applicable codes and standards, including fire-rated construction.
- Do not operate any fan with a damaged cord or plug. Discard fan or return to an authorized service facility for examination and/or repair.
- Sufficient air is needed for proper combustion and exhausting of gases through the flue (chimney) of fuel burning equipment to prevent backdrafting. Follow the heating equipment manufacturer's guideline and safety standards such as those published by the National Fire Protection Association (NFPA), the American Society for Heating, Refrigeration and Air Conditioning Engineers (ASHRAE), and the local code authorities.
- When cutting or drilling into wall or ceiling; do not damage electrical wiring and other utilities.
- Ducted fans must always be vented outdoors.

CAUTION: For general ventilating use only. Do not use to exhaust hazardous or explosive materials and vapors.

CAUTION: To reduce risk of fire and to properly exhaust air, be sure to duct air outside - do not vent exhaust air into spaces within walls or ceilings, attics or into crawl spaces, or garages.

WARNING: TO REDUCE THE RISK OF FIRE, USE ONLY METAL DUCTWORK.

WARNING: TO REDUCE THE RISK OF A RANGE TOP GREASE FIRE:

- Never leave surface units unattended at high settings. Boilovers cause smoking and greasy spillovers that may ignite. Heat oils slowly on low or medium settings.
- Always turn hood ON when cooking at high heat or when flambeing food (i.e. Crepes Suzette, Cherries Jubilee, Peppercorn Beef Flambé).
- Clean ventilating fans frequently. Grease should not be allowed to accumulate on fan or filter.
- Use proper pan size. Always use cookware appropriate for the size of the surface element.

WARNING: TO REDUCE THE RISK OF INJURY TO PERSONS IN THE EVENT OF A RANGE TOP GREASE FIRE, OBSERVE THE FOLLOWING:^a

- SMOTHER FLAMES with a close fitting lid, cookie sheet, or metal tray, then turn off the burner. BE CAREFUL TO PREVENT BURNS. If the flames do not go out immediately, EVACUATE AND CALL THE FIRE DEPARTMENT.
- NEVER PICK UP A FLAMING PAN - you may be burned.
- DO NOT USE WATER, including wet dishcloths or towels - a violent steam explosion will result.
- Use an extinguisher ONLY if:
 - You know you have a class ABC extinguisher, and you already know how to operate it.
 - The fire is small and contained in the area where it started.
 - The fire department is being called.
 - You can fight the fire with your back to an exit.

^aBased on "Kitchen Fire Safety Tips" published by NFPA.

- **WARNING:** To reduce the risk of fire or electrical shock, do not use this fan with any solid-state speed control device.

READ AND SAVE THESE INSTRUCTIONS

INSTALLATION REQUIREMENTS

Tools and Parts

Gather the required tools and parts before starting installation. Read and follow the instructions provided with any tools listed here.

Tools needed

- Drill
- 1¼" (3.0 cm) drill bit
- ⅛" (3.0 mm) drill bit for pilot holes
- Pencil
- Wire stripper or utility knife
- Tape measure or ruler
- Caulking gun and weatherproof caulking compound
- Flat-blade screwdriver
- Phillips screwdriver

For vented installations, you also need:

- Saber or keyhole saw
- Vent clamps
- Metal snips
- Compass or 8" (20.3 cm) circle template

Parts supplied

Remove parts from package. Check that all parts are included.

- 2 - Metal filters
- 6 - 4.5 x 13 mm mounting screws
- 3 - 4 x 8 mm damper screws
- 3¼" x 10" (8.3 x 25.4 cm) damper/vent connector
- 4 - 5 x 45 mm screws
- 4 - 8 x 40 mm wall anchors
- Recirculating kit
- Charcoal filters for non-vented (recirculating) installations. See the "Assistance or Service" section to order replacement filters.

Parts needed

For vented installations:

- 3¼" x 10" (8.3 x 25.4 cm) or 6" (15.2 cm) or larger round metal venting
- 6" (15.2 cm) or larger round damper, if using 6" (15.2 cm) or larger round vent system
- 3¼" x 10" (8.3 x 25.4 cm) to 6" (15.2 cm) or larger diameter transition piece if using 6" (15.2 cm) or larger diameter round vent system.

For cabinets with recessed bottoms:

- Two 2" (5.1 cm) wide filler strips. Length and thickness determined by recess dimensions.
- Four flat head wood screws or machine screws with washers and nuts (to attach filler strips).

Location Requirements

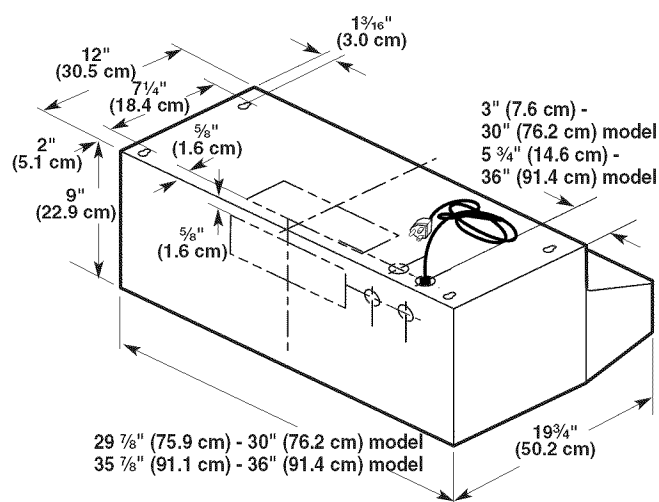
IMPORTANT: Observe all governing codes and ordinances.

- It is the installer's responsibility to comply with installation clearances specified on the model/serial rating plate. The model/serial rating plate is located inside the range hood on the left wall.
- Range hood location should be away from strong draft areas, such as windows, doors and strong heating vents.
- Cabinet opening dimensions that are shown must be used. Given dimensions provide minimum clearance. Consult the cooktop/range manufacturer installation instructions before making any cutouts.
- Grounded electrical outlet is required. See "Electrical Requirements" section.
- The hood is factory-set for vented installations. For non-vented (recirculating) installations, the Recirculation Kit is included. See the "Assistance or Service" section to order Replacement Charcoal Filters Part Number W10272068.
- All openings in ceiling and wall where range hood will be installed must be sealed.

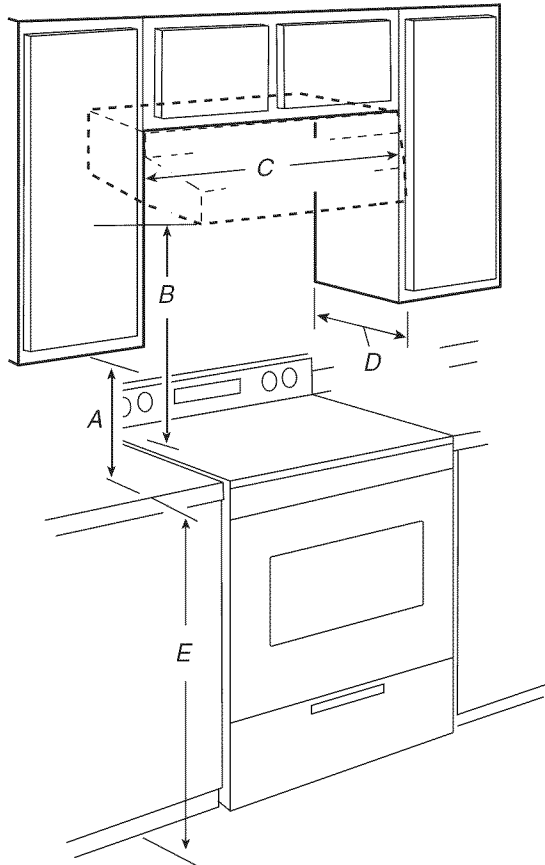
For Mobile Home Installations

The installation of this range hood must conform to the Manufactured Home Construction Safety Standards, Title 24 CFR, Part 328 (formerly the Federal Standard for Mobile Home Construction and Safety, title 24, HUD, Part 280) or when such standard is not applicable, the standard for Manufactured Home Installation 1982 (Manufactured Home Sites, Communities and Setups) ANSI A225.1/NFPA 501A*, or latest edition, or with local codes.

Product Dimensions



Installation Clearances



- A. 18" (45.7 cm) min. clearance - upper cabinet to countertop
- B. 24" (61.0 cm) min. for electric cooking surfaces
27" (68.6 cm) min. for gas cooking surfaces
30" (76.2 cm) suggested max. - bottom of range hood to cooking surface
- C. 30" (76.2 cm) or 36" (91.4 cm) min. cabinet opening width
- D. 13" (33.0 cm) cabinet depth
- E. 36" (91.4 cm) base cabinet height

Venting Requirements (Vented Models Only)

- Vent system must terminate to the outdoors, except for non-vented (recirculating) installations.
- Do not terminate the vent system in an attic or other enclosed area.
- Do not use a 4" (10.2 cm) laundry-type wall cap.
- Use a 6" (15.2 cm) or larger round metal vent or a 3¼" x 10" (8.3 x 25.4 cm) rectangular metal vent. Rigid metal vent is recommended. Plastic or metal foil vent is not recommended.
- The length of vent system and number of elbows should be kept to a minimum to provide efficient performance.

For the most efficient and quiet operation:

- Use no more than three 90° elbows.
- Make sure there is a minimum of 24" (61 cm) of straight vent between the elbows if more than 1 elbow is used.
- Do not install 2 elbows together.
- Use clamps to seal all joints in the vent system.

- The vent system must have a damper. If roof or wall cap has a damper, do not use damper supplied with the range hood.
- Use caulking to seal exterior wall or roof opening around the cap.

Cold Weather Installations

An additional back draft damper should be installed to minimize backward cold air flow and a thermal break should be installed to minimize conduction of outside temperatures as part of the vent system. The damper should be on the cold air side of the thermal break.

The break should be as close as possible to where the vent system enters the heated portion of the house.

Makeup Air

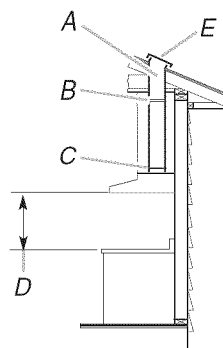
Local building codes may require the use of make up air systems when using ventilation systems greater than specified CFM of air movement. The specified CFM varies from locale to locale. Consult your HVAC professional for specific requirements in your area.

Venting Methods

Vent system can terminate either through the roof or wall. Use 3¼" x 10" (8.3 x 25.4 cm) with a maximum vent length of 35 ft (10.7 m) or 6" (15.2 cm) or larger round vent with a maximum length of 50 ft (15.2 m) for vent system.

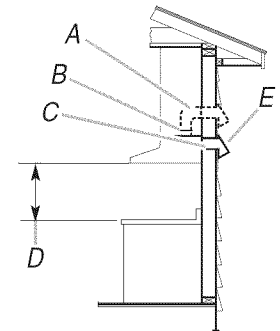
NOTE: Flexible vent is not recommended. Flexible vent creates back pressure and air turbulence that gently reduces performance.

Roof Venting



- A. 6" (15.2 cm) or larger round vent or a 3¼" x 10" (8.3 x 25.4 cm) rectangular vent through roof
- B. Round vent: use 6" (15.2 cm) or larger round damper (purchased separately)
- C. Round vent: use 3¼" x 10" (8.3 x 25.4 cm) to 6" (15.2 cm) or larger diameter transition piece (purchased separately)
- D. 24" (61.0 cm) - 30" (76.2 cm) above electric cooking surface
27" (68.6 cm) - 30" (76.2 cm) above gas cooking surface
- E. Roof cap

Wall Venting



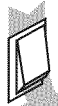
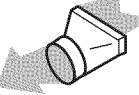
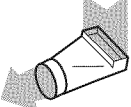


- A. 6" (15.2 cm) or larger round vent or a 3¼" x 10" (8.3 x 25.4 cm) rectangular vent through the wall
- B. Round vent: use 3¼" x 10" (8.3 x 25.4 cm) to 6" (15.2 cm) or larger diameter transition piece (purchased separately)
- C. 3¼" x 10" (8.3 x 25.4 cm) through the wall
- D. 24" (61.0 cm) - 30" (76.2 cm) above electric cooking surface
27" (68.6 cm) - 30" (76.2 cm) above gas cooking surface
- E. Wall cap

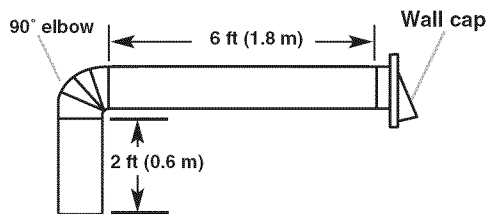
Calculating Vent System Length

To calculate the length of the system you need, add the equivalent feet (meters) for each vent piece used in the system.

6" (15.2 cm) or Larger Round Vent System

Vent Piece	Round	
45° elbow	2.5 ft (0.8 m)	
90° elbow	5.0 ft (1.5 m)	
6" (15.2 cm) or larger wall cap	0.0 ft (0.0 m)	
3 1/4" x 10" (8.3 cm x 25.4 cm) to 6" (15.2 cm) or larger	4.5 ft (1.4 m)	
3 1/4" x 10" (8.3 cm x 25.4 cm) to 6" (15.2 cm) or larger 90° elbow	5.0 ft (1.5 m)	

Example vent system



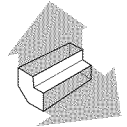
Maximum Recommended Length = 50 ft (15.2 m)

1 - 90° elbow	= 5.0 ft (1.5 m)
1 - wall cap	= 0.0 ft (0.0 m)
8 ft (2.4 m) straight	= 8.0 ft (2.4 m)
Length of 7" (17.8 cm) system	= 13.0 ft (3.9 m)

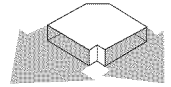
3 1/4" x 10" (8.3 cm x 25.4 cm) Vent System

Vent Piece

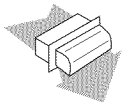
3 1/4" x 10" (8.3 cm x 25.4 cm) 90° elbow = 5.0 ft (1.5 m)



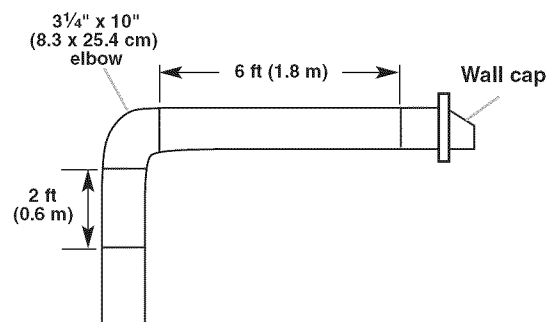
3 1/4" x 10" (8.3 cm x 25.4 cm) flat elbow = 12.0 ft (3.7 m)



3 1/4" x 10" (8.3 cm x 25.4 cm) wall cap = 0.0 ft (0.0 m)



Example vent system



Maximum Recommended Length = 35 ft (10.7 m)

1 - 90° elbow	= 5.0 ft (1.5 m)
8 ft (2.4 m) straight	= 8.0 ft (2.4 m)
1 - wall cap	= 0.0 ft (0.0 m)

Length of 3 1/4" x 10" (8.3 cm x 25.4 cm) system = 13.0 ft (3.9 m)

Electrical Requirements

IMPORTANT: The range hood must be electrically grounded in accordance with local codes and ordinances, or in the absence of local codes, with the National Electrical Code, ANSI/NFPA 70 (latest edition) or Canadian Electrical Code, CSA C22.1 No. 0-M91 (latest edition).

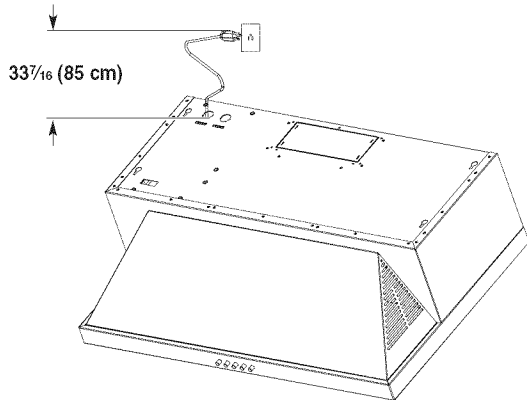
If codes permit and a separate ground wire is used, it is recommended that a qualified electrical installer determine that the ground path is adequate.

A copy of the above code standards can be obtained from:

National Fire Protection Association
One Batterymarch Park
Quincy, MA 02269
CSA International
8501 East Pleasant Valley Road
Cleveland, Ohio 44131-5575

- A 120 volt, 60 Hz, AC only, 15- or 20-amp, fused electrical circuit is required. A time-delay fuse or circuit breaker is also recommended. It is recommended that a separate circuit serving only this range hood be provided.
- This range hood is equipped with a power supply cord having a 3 prong grounding plug.

- To minimize possible shock hazard, the cord must be plugged into a mating, 3 prong, grounding-type outlet, grounded in accordance with local codes and ordinances. If a mating outlet is not available, it is the personal responsibility and obligation of the customer to have the properly grounded outlet installed by a qualified electrician.
- The grounded 3 prong outlet is to be located inside the cabinet above the range hood at a maximum distance of $33\frac{7}{16}$ " (85.0 cm) from where the power cord exits the hood. See illustration.



GROUNDING INSTRUCTIONS

- For a grounded, cord-connected range hood:
This range hood must be grounded. In the event of an electrical short circuit, grounding reduces the risk of electric shock by providing an escape wire for the electric current. This range hood is equipped with a cord having a grounding wire with a grounding plug. The plug must be plugged into an outlet that is properly installed and grounded.

WARNING: Improper grounding can result in a risk of electric shock.

Consult a qualified electrician if the grounding instructions are not completely understood, or if doubt exists as to whether the range hood is properly grounded.

Do not use an extension cord. If the power supply cord is too short, have a qualified electrician install an outlet near the range hood.

SAVE THESE INSTRUCTIONS

INSTALLATION INSTRUCTIONS

Prepare Location

NOTE: For vented installations, it is recommended that the vent system be installed before hood is installed.

Before making cutouts, make sure there is proper clearance within the ceiling or wall for exhaust vent.

1. For vented installations, determine which venting method to use: roof or wall.
2. Select a flat surface for assembling the range hood. Place covering over that surface.

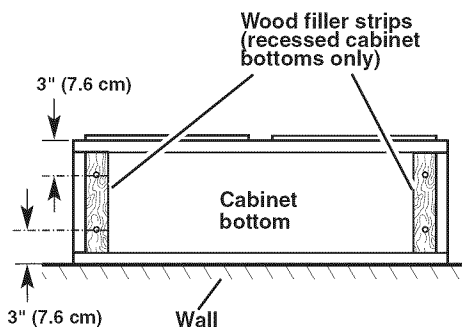
WARNING

Excessive Weight Hazard

Use two or more people to move and install range hood.

Failure to do so can result in back or other injury.

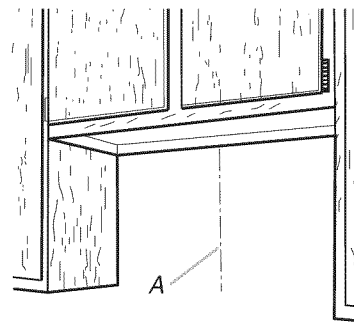
3. Using 2 or more people, lift the range hood and set it upside down onto covered surface.
4. If cabinet has recessed bottom, add wood filler strips on each side. Install screws to attach filler strips in locations shown.



Determine Wiring Hole Location

Cut only one $1\frac{1}{4}$ " (3.2 cm) diameter wiring access hole. See Step 2 for wiring hole location instructions.

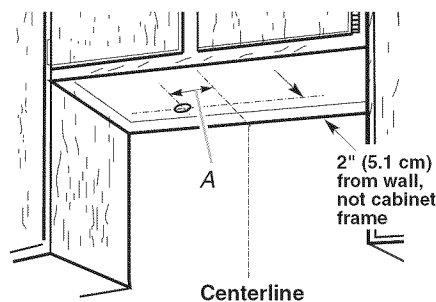
1. Determine and clearly mark a vertical centerline on the wall and cabinet in the area the vent opening will be made.



A. Centerline

2. To wire through top:

Mark a line distance "A" from the left of the centerline on the underside of the cabinet. Mark the point on this line that is 2" (5.0 cm) from back wall. Drill a $1\frac{1}{4}$ " (3.0 cm) diameter hole through the cabinet at this point.



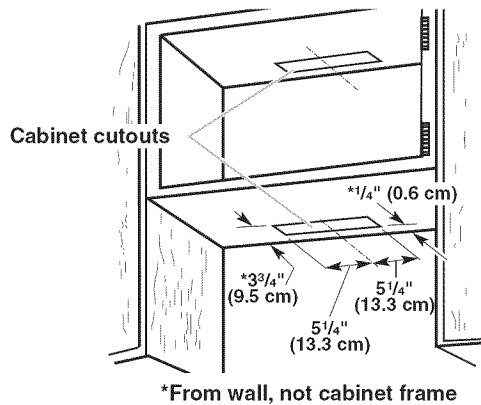
A. 12" (30.5 cm) for 30" (76.2 cm) models
12 $\frac{1}{4}$ " (31.1 cm) for 36" (91.4 cm) models

Style 1 - Cut Openings for 3¼" x 10" (8.3 cm x 25.4 cm) Rectangular Vent System

Roof Venting

To make a 3½" x 10½" (8.9 cm x 26.7 cm) rectangular cutout on the underside of cabinet top and bottom:

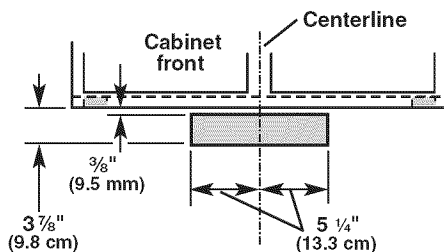
1. Mark lines ¼" (0.6 cm) and ¾" (9.5 cm) from the back wall on the centerline of the underside of cabinet.
2. Mark lines 5¼" (13.3 cm) to the right and left of the centerline on the underside of cabinet.
3. Use saber or keyhole saw to cut a rectangular opening for vent.
4. Repeat steps 1-3 for the underside of the top of the cabinet.



Wall Venting

To make a 3½" x 10½" (8.9 cm x 26.7 cm) rectangle in the wall:

1. Make 2 lines by measuring ⅜" (9.5 mm) and ¾" (9.8 cm) down from underside of cabinet and mark on the centerline on the back wall.
2. Mark lines 5¼" (13.3 cm) to the right and left of the centerline on the wall.
3. Use saber or keyhole saw to cut a rectangular opening in the wall for the vent.



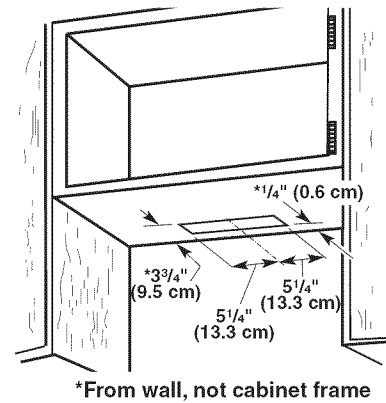
Style 2 - Cut Openings for 3¼" x 10" (8.3 x 25.4 cm) Rectangular Vent to Round Vent Transition

Roof Venting

To make a 3½" x 10½" (8.9 cm x 26.7 cm) rectangular cutout on the underside of cabinet bottom:

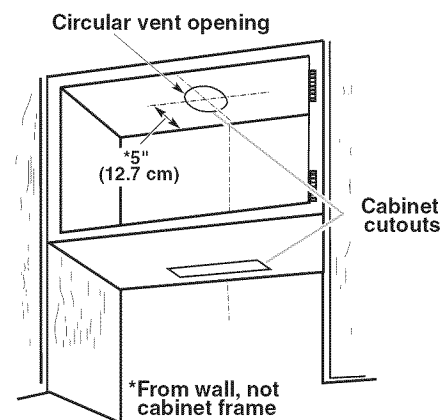
1. Mark lines ¼" (0.6 cm) and ¾" (9.5 cm) from the back wall on the centerline of the underside of cabinet.
2. Mark lines 5¼" (13.3 cm) to the right and left of the centerline on the underside of cabinet.

3. Use saber or keyhole saw to cut a rectangular opening for vent.



To make a circular vent opening on the underside of the cabinet top:

1. Mark a centerline on the underside of the top of cabinet.
2. Mark a line 5" (12.7 cm) from the back wall on the underside of the top of cabinet.
3. Use a compass or a circle template to draw a circle with a diameter that is ¼" (0.64 cm) larger than the vent.
4. Use saber or keyhole saw to cut the circular vent opening.

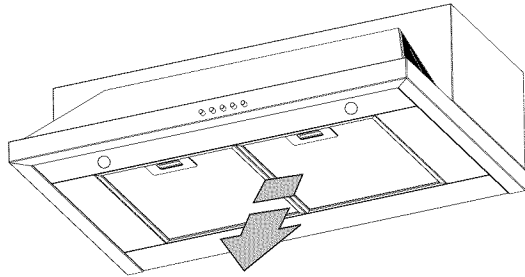


Install Vent System

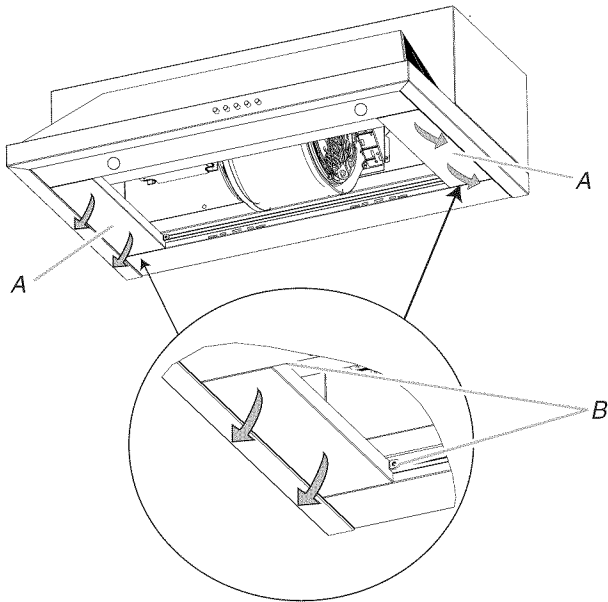
1. Install vent through the vent opening in upper cabinet or wall. Complete venting system according to the selected venting method. See "Venting Requirements" section.
2. Use caulking to seal exterior wall or roof opening around the cap.

Install Range Hood

1. Remove the grease filters. See the "Range Hood Care" section.



2. Remove mounting screws and lateral supports.



A. Lateral supports
B. Mounting screws

3. For vented installations:

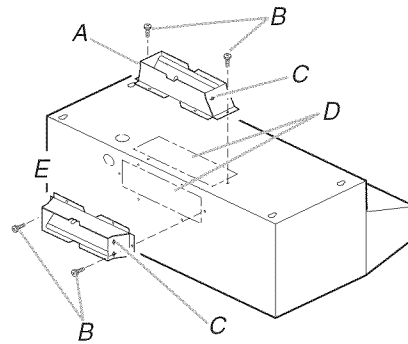
- Depending on your installation, remove either top or rear rectangular vent knockout. If using round vent, remove top rectangular knockout.

NOTE: Do not remove rectangular knockouts if installation of range hood is to be non-venting (recirculating).

- Make sure damper pivot is nearest to top/back edge of range hood.
- Remove tape from damper flap.

NOTE: The exhaust adaptor/damper can be installed up to 1" (2.5 cm) on either side of the hood center to accommodate off-center ductwork.

- If using rectangular vent, attach rectangular damper/vent connectors to the range hood using sheet metal screws.

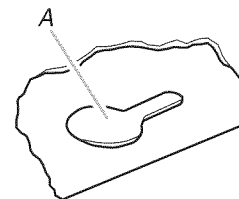


A. Vertical vent
B. Sheet metal screws
C. Hinge pin
D. Vent knockouts
E. Horizontal vent

- If using round vent, attach vent transition piece (purchased separately) to range hood top using sheet metal screws.

NOTE: If the wall cap is directly behind the vent connector, the dampers in the connector and wall cap must not interfere with each other. Remove the vent connector damper if they interfere.

4. Lift the range hood up under cabinet and determine final location by centering beneath cabinet. Mark on the underside of cabinet the location of the 4 keyhole mounting slots on the range hood. Set range hood aside on a covered surface.



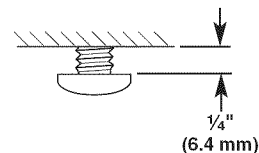
A. Keyhole slot

5. Use 1/8" (3 mm) drill bit and drill 4 pilot holes as shown.



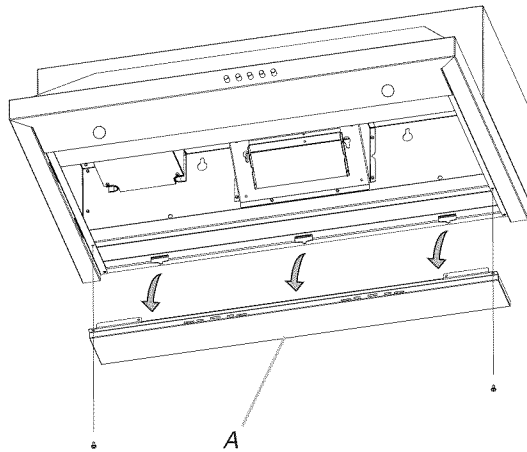
A. Drill pilot hole

6. Install the 4 - #10 x 5/8" mounting screws in pilot holes. Leave about 1/4" (6.4 mm) space between screw heads and cabinet to slide range hood into place.



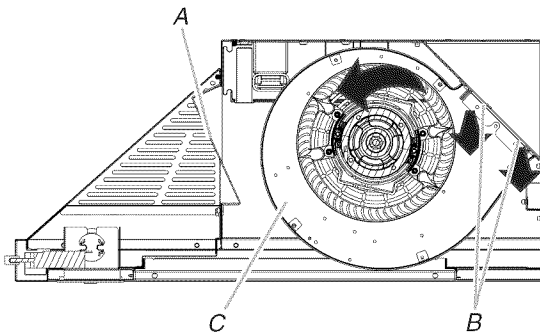
7. For non-vented (recirculating) installations:

- Remove screws and rear support.



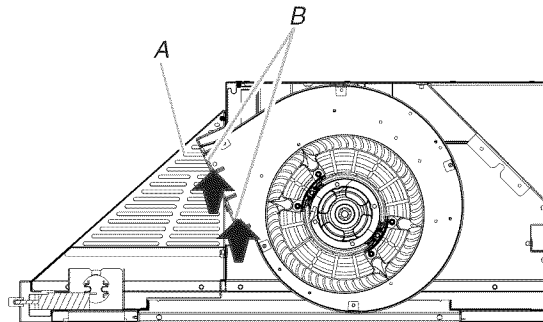
A
A. Rear support

- Remove the blower mounting screws. Push up on the blower to detach the blower from the mounting plate.
- Remove the vent knockout from the front mounting plate.



A. Front mounting plate knockout
B. Blower mounting screws
C. Blower

- Rotate the blower and attach to front mounting plate. Install the blower mounting screws.



A. Front mounting plate
B. Blower mounting screws

- Install charcoal filters. See the “Range Hood Care” section.

8. Using 2 people, lift range hood into final position, feeding electrical wire through wiring opening. Position the range hood so that the large end of the keyhole slots are over the screws. Then push the hood toward the wall so that the screws are in the neck of the slots. Tighten mounting screws to cabinet, making sure mounting screws are in narrow neck of slots.

- 9. Check that damper, if used, rotates up and down freely.
- 10. Reinstall the rear support.

11. Replace the 2 lateral supports.

12. Replace filters. See the “Range Hood Care” section.

⚠ WARNING



Electrical Shock Hazard

Plug into a grounded 3 prong outlet.

Do not remove ground prong.

Do not use an adapter.

Do not use an extension cord.

Failure to follow these instructions can result in death, fire, or electrical shock.

13. Plug 3-prong power cord into a grounded 3-prong outlet located inside the cabinet above the range hood.

14. For Vented Installations Only:

Connect ventwork to hood. Seal joints with clamps to make secure and airtight.

Complete Installation

1. Replace grease filters. See the “Range Hood Care” section.
2. Check the operation of the range hood fan and light. See “Range Hood Use” section.

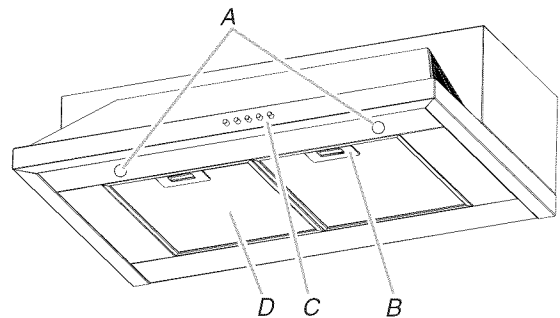
If range hood does not operate, check to see whether a circuit breaker has tripped or a household fuse has blown. Disconnect power and check wiring connections.

NOTE: To get the most efficient use from your new range hood, read the “Range Hood Use” section.

RANGE HOOD USE

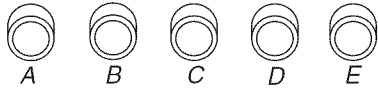
The range hood is designed to remove smoke, cooking vapors and odors from the cooktop area. For best results, start the hood before cooking and allow it to operate several minutes after the cooking is complete to clear all smoke and odors from the kitchen.

The hood controls are located on the center of the range hood.



A. Halogen lamp housings
B. Grease filter handle
C. Blower and light controls
D. Grease filter

Range Hood Controls



- A. On/Off light button
- B. Blower Off button
- C. Blower speed minimum button
- D. Blower speed medium button
- E. Blower speed maximum button

Operating the light

The On/Off light button controls both lights. Press once for On and again for Off.

Operating the blower

The BLOWER SPEED buttons turn the blower on and control the blower speed and sound level for quiet operation. The speed can be changed anytime during fan operation by pressing the desired blower speed button.

The BLOWER OFF button turns the blower Off.

RANGE HOOD CARE

Cleaning

IMPORTANT: Clean the hood and grease filters frequently according to the following instructions. Replace grease filters before operating hood.

Exterior Surfaces:

To avoid damage to the exterior surface, do not use steel wool or soap-filled scouring pads.

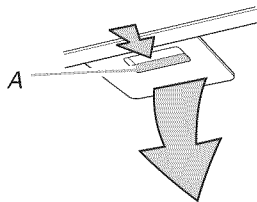
Always wipe dry to avoid water marks.

Cleaning Method:

- Liquid detergent soap and water, or all-purpose cleanser
- Wipe with damp soft cloth or nonabrasive sponge, then rinse with clean water and wipe dry.

Metal Grease Filter:

1. Remove each filter by pulling the spring release handle and then pulling down the filter.



A. Spring release handle

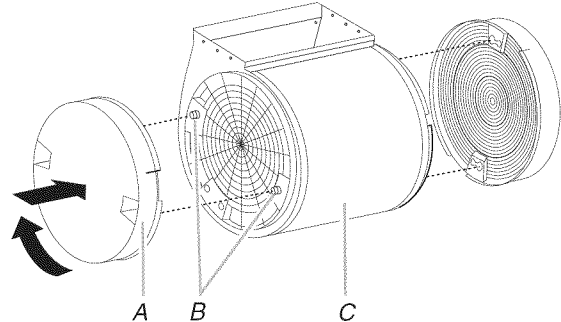
2. Wash metal filters as needed in dishwasher or hot detergent solution.
3. Reinstall the filter by making sure the spring release handles are toward the front. Insert aluminum filter into upper track.
4. Push in spring release handle.
5. Push up on metal filter and release handle to latch into place.
6. Repeat steps 1-5 for the other filter.

Non-Vented (recirculating) Installation Filters:

The charcoal filter is not washable. It should last up to six months with normal use. Replace with Charcoal Filter Kit Number W10272068.

To replace charcoal filter:

1. Cover the grill that protects the blower motor with the charcoal filter so that the slots on the filter correspond to the pins on the sides of the motor protection grill.



- A. Charcoal filter
- B. Pins
- C. Blower motor

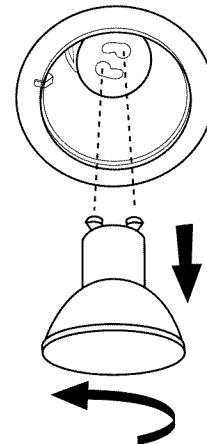
2. Turn the charcoal filter clockwise to lock it.
3. Repeat steps 1-2 on the other filter.

Replacing a Halogen Lamp

Turn off the range hood and allow the halogen lamp to cool. To avoid damage or decreasing the life of the new bulb, do not touch bulb with bare fingers. Replace bulb, using tissue or wearing cotton gloves to handle bulb.

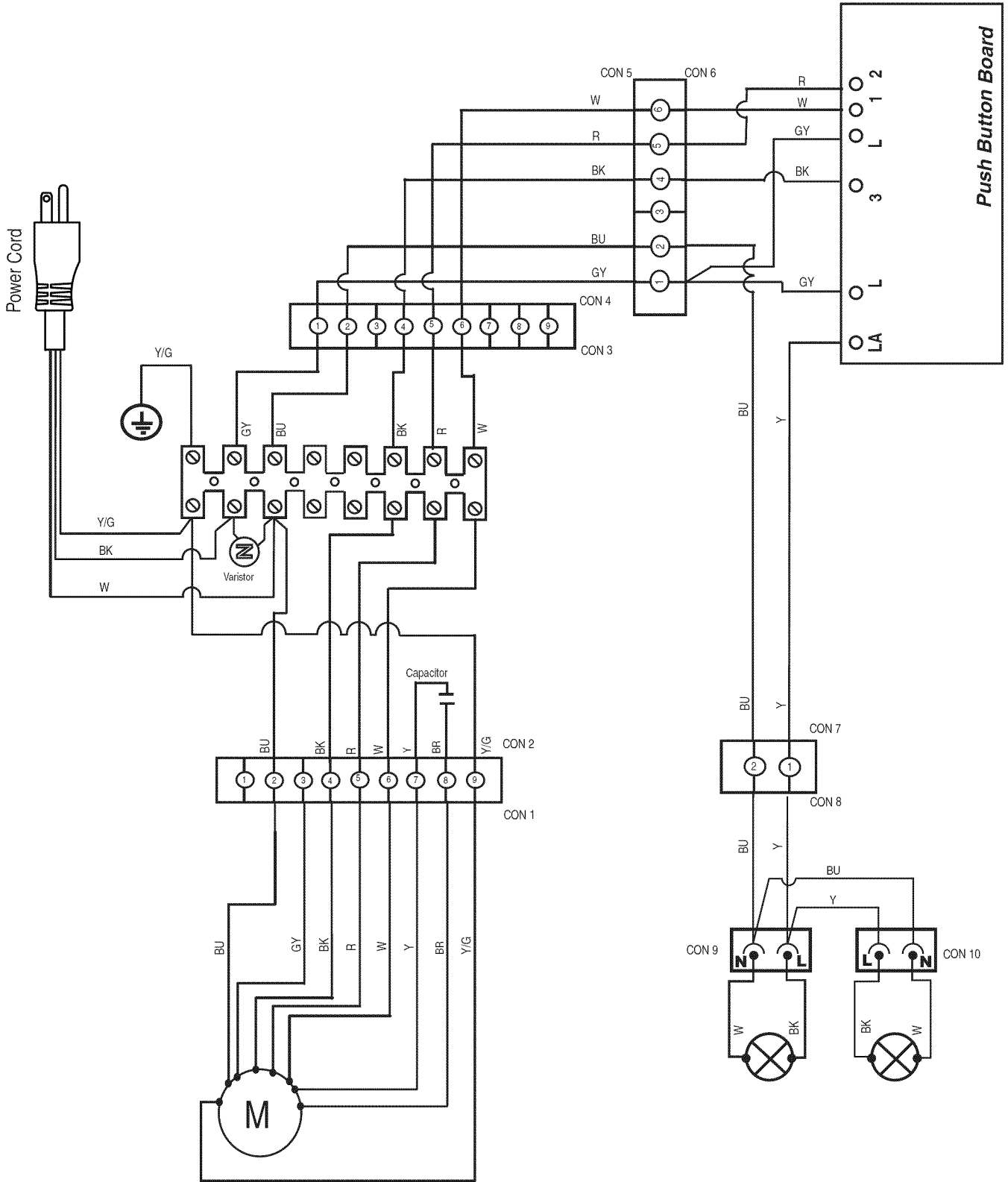
If new lamps do not operate, make sure the lamps are inserted correctly before calling service.

1. Disconnect power.
2. Push up on the lens and turn it counterclockwise.



3. Remove the bulb and replace it with a 120-volt, 50-watt maximum halogen bulb with a GU10 base. Turn it clockwise to lock it into place.
4. Repeat steps 2-3 for the other bulb if needed.
5. Reconnect power.

WIRING DIAGRAM



ASSISTANCE OR SERVICE

When calling for assistance or service, please know the purchase date and the complete model and serial number of your appliance. This information will help us to better respond to your request.

If you need replacement parts

If you need to order replacement parts, we recommend that you use only factory specified parts. Factory specified parts will fit right and work right because they are made with the same precision used to build every new appliance. To locate factory specified replacement parts in your area, call us or your nearest designated service center.

In the U.S.A.

Call the Whirlpool Customer eXperience Center toll free: **1-800-253-1301**.

Our consultants provide assistance with:

- Features and specifications on our full line of appliances.
- Installation information.
- Use and maintenance procedures.
- Accessory and repair parts sales.
- Specialized customer assistance (Spanish speaking, hearing impaired, limited vision, etc.).
- Referrals to local dealers, repair parts distributors and service companies. Whirlpool designated service technicians are trained to fulfill the product warranty and provide after-warranty service, anywhere in the United States.

To locate the Whirlpool designated service company in your area, you can also look in your telephone directory Yellow Pages.

For further assistance

If you need further assistance, you can write to Whirlpool Corporation with any questions or concerns at:

Whirlpool Brand Home Appliances
Customer eXperience Center
553 Benson Road
Benton Harbor, MI 49022-2692

Please include a daytime phone number in your correspondence.

In Canada

Call the Whirlpool Canada LP Customer eXperience Centre toll free: **1-800-807-6777**.

Our consultants provide assistance with:

- Features and specifications on our full line of appliances.
- Use and maintenance procedures.
- Accessory and repair parts sales.
- Referrals to local dealers, repair parts distributors, and service companies. Whirlpool Canada LP designated service technicians are trained to fulfill the product warranty and provide after-warranty service, anywhere in Canada.

For further assistance

If you need further assistance, you can write to Whirlpool Canada LP with any questions or concerns at:

Customer eXperience Centre
Whirlpool Canada LP
1901 Minnesota Court
Mississauga, Ontario L5N 3A7

Please include a daytime phone number in your correspondence.

Accessories

Replacement Charcoal Filter Kit (2 Pack of Filters)

(for non-vented installations only)

Order Part Number W10272068

WHIRLPOOL CORPORATION MAJOR APPLIANCE WARRANTY

LIMITED WARRANTY

For one year from the date of purchase, when this major appliance is operated and maintained according to instructions attached to or furnished with the product, Whirlpool Corporation or Whirlpool Canada LP (hereafter "Whirlpool") will pay for Factory Specified Parts and repair labor to correct defects in materials or workmanship. Service must be provided by a Whirlpool designated service company. This limited warranty is valid only in the United States or Canada and applies only when the major appliance is used in the country in which it was purchased. Outside the 50 United States and Canada, this limited warranty does not apply. Proof of original purchase date is required to obtain service under this limited warranty.

ITEMS EXCLUDED FROM WARRANTY

This limited warranty does not cover:

1. Service calls to correct the installation of your major appliance, to instruct you on how to use your major appliance, to replace or repair house fuses, or to correct house wiring or plumbing.
2. Service calls to repair or replace appliance light bulbs, air filters or water filters. Consumable parts are excluded from warranty coverage.
3. Repairs when your major appliance is used for other than normal, single-family household use or when it is used in a manner that is contrary to published user or operator instructions and/or installation instructions.
4. Damage resulting from accident, alteration, misuse, abuse, fire, flood, acts of God, improper installation, installation not in accordance with electrical or plumbing codes, or use of consumables or cleaning products not approved by Whirlpool.
5. Cosmetic damage, including scratches, dents, chips or other damage to the finish of your major appliance, unless such damage results from defects in materials or workmanship and is reported to Whirlpool within 30 days from the date of purchase.
6. Any food loss due to refrigerator or freezer product failures.
7. Costs associated with the removal from your home of your major appliance for repairs. This major appliance is designed to be repaired in the home and only in-home service is covered by this warranty.
8. Repairs to parts or systems resulting from unauthorized modifications made to the appliance.
9. Expenses for travel and transportation for product service if your major appliance is located in a remote area where service by an authorized Whirlpool servicer is not available.
10. The removal and reinstallation of your major appliance if it is installed in an inaccessible location or is not installed in accordance with published installation instructions.
11. Major appliances with original model/serial numbers that have been removed, altered or cannot be easily determined. This warranty is void if the factory applied serial number has been altered or removed from your major appliance.

The cost of repair or replacement under these excluded circumstances shall be borne by the customer.

DISCLAIMER OF IMPLIED WARRANTIES; LIMITATION OF REMEDIES

CUSTOMER'S SOLE AND EXCLUSIVE REMEDY UNDER THIS LIMITED WARRANTY SHALL BE PRODUCT REPAIR AS PROVIDED HEREIN. IMPLIED WARRANTIES, INCLUDING WARRANTIES OF MERCHANTABILITY OR FITNESS FOR A PARTICULAR PURPOSE, ARE LIMITED TO ONE YEAR OR THE SHORTEST PERIOD ALLOWED BY LAW. WHIRLPOOL SHALL NOT BE LIABLE FOR INCIDENTAL OR CONSEQUENTIAL DAMAGES. SOME STATES AND PROVINCES DO NOT ALLOW THE EXCLUSION OR LIMITATION OF INCIDENTAL OR CONSEQUENTIAL DAMAGES, OR LIMITATIONS ON THE DURATION OF IMPLIED WARRANTIES OF MERCHANTABILITY OR FITNESS, SO THESE EXCLUSIONS OR LIMITATIONS MAY NOT APPLY TO YOU. THIS WARRANTY GIVES YOU SPECIFIC LEGAL RIGHTS, AND YOU MAY ALSO HAVE OTHER RIGHTS WHICH VARY FROM STATE TO STATE OR PROVINCE TO PROVINCE.

If outside the 50 United States and Canada, contact your authorized Whirlpool dealer to determine if another warranty applies.

If you need service, first see the "Troubleshooting" section of the Use & Care Guide. After checking "Troubleshooting," you may find additional help by checking the "Assistance or Service" section or by calling Whirlpool. In the U.S.A., call **1-800-253-1301**. In Canada, call **1-800-807-6777**.

9/07

Keep this book and your sales slip together for future reference. You must provide proof of purchase or installation date for in-warranty service.

Write down the following information about your major appliance to better help you obtain assistance or service if you ever need it. You will need to know your complete model number and serial number. You can find this information on the model and serial number label located on the product.

Dealer name _____

Address _____

Phone number _____

Model number _____

Serial number _____

Purchase date _____

SÉCURITÉ DE LA HOTTE DE CUISINIÈRE

Votre sécurité et celle des autres est très importante.

Nous donnons de nombreux messages de sécurité importants dans ce manuel et sur votre appareil ménager. Assurez-vous de toujours lire tous les messages de sécurité et de vous y conformer.



Voici le symbole d'alerte de sécurité.

Ce symbole d'alerte de sécurité vous signale les dangers potentiels de décès et de blessures graves à vous et à d'autres.

Tous les messages de sécurité suivront le symbole d'alerte de sécurité et le mot "DANGER" ou "AVERTISSEMENT". Ces mots signifient :

⚠ DANGER

Risque possible de décès ou de blessure grave si vous ne suivez pas immédiatement les instructions.

⚠ AVERTISSEMENT

Risque possible de décès ou de blessure grave si vous ne suivez pas les instructions.

Tous les messages de sécurité vous diront quel est le danger potentiel et vous disent comment réduire le risque de blessure et ce qui peut se produire en cas de non-respect des instructions.

IMPORTANTES INSTRUCTIONS DE SÉCURITÉ

AVERTISSEMENT : POUR RÉDUIRE LE RISQUE D'INCENDIE, CHOC ÉLECTRIQUE OU DOMMAGES CORPORELS, RESPECTER LES INSTRUCTIONS SUIVANTES :

- Utiliser cet appareil uniquement dans les applications envisagées par le fabricant. Pour toute question, contacter le fabricant.
- Avant d'entreprendre un travail d'entretien ou de nettoyage, interrompre l'alimentation de la hotte au niveau du tableau de disjoncteurs, et verrouiller le tableau de disjoncteurs pour empêcher tout rétablissement accidentel de l'alimentation du circuit. Lorsqu'il n'est pas possible de verrouiller le tableau de disjoncteurs, placer sur le tableau de disjoncteurs une étiquette d'avertissement proéminente interdisant le rétablissement de l'alimentation.
- Tout travail d'installation ou câblage électrique doit être réalisé par une personne qualifiée, dans le respect des prescriptions de tous les codes et normes applicables, y compris les codes du bâtiment et de protection contre les incendies.
- Ne pas faire fonctionner un ventilateur dont le cordon ou la fiche est endommagé(e). Jeter le ventilateur ou le retourner à un centre de service agréé pour examen et/ou réparation.
- Une source d'air de débit suffisant est nécessaire pour le fonctionnement correct de tout appareil à gaz (combustion et évacuation des gaz à combustion par la cheminée), pour qu'il n'y ait pas de reflux des gaz de combustion. Respecter les directives du fabricant de l'équipement de chauffage et les prescriptions des normes de sécurité - comme celles publiées par la National Fire Protection Association (NFPA) et l'American Society for Heating, Refrigeration and Air Conditioning Engineers (ASHRAE), et les prescriptions des autorités réglementaires locales.
- Lors d'opérations de découpage et de perçage dans un mur ou un plafond, veiller à ne pas endommager les câblages électriques ou canalisations qui peuvent s'y trouver.
- Les ventilateurs d'évacuation doivent toujours décharger l'air à l'extérieur.

MISE EN GARDE : Cet appareil est conçu uniquement pour la ventilation générale. Ne pas l'utiliser pour l'extraction de matières ou vapeurs dangereuses ou explosives.

MISE EN GARDE : Pour minimiser le risque d'incendie et évacuer adéquatement les gaz, veiller à acheminer l'air aspiré par un conduit jusqu'à l'extérieur - ne pas décharger l'air aspiré dans un espace vide du bâtiment comme une cavité murale, un plafond, un grenier, un vide sanitaire ou un garage.

AVERTISSEMENT : POUR RÉDUIRE LE RISQUE D'INCENDIE, UTILISER UNIQUEMENT DES CONDUITS MÉTALLIQUES.

AVERTISSEMENT : POUR MINIMISER LE RISQUE D'UN FEU DE GRAISSE SUR LA CUISINIÈRE :

- Ne jamais laisser un élément de surface fonctionner à puissance de chauffage maximale sans surveillance. Un renversement/débordement de matière grasseuse pourrait provoquer une inflammation et la génération de fumée. Utiliser une puissance de chauffage moyenne ou basse pour le chauffage d'huile.
- Veiller à toujours faire fonctionner le ventilateur de la hotte lors de la cuisson avec une puissance de chauffage élevée ou lors de la cuisson d'un mets à flamber (à savoir crêpes Suzette, cerise jubilé, steak au poivre flambé).
- Nettoyer fréquemment les ventilateurs d'extraction. Veiller à ne pas laisser la graisse s'accumuler sur les surfaces du ventilateur ou des filtres.
- Utiliser toujours un ustensile de taille appropriée. Utiliser toujours un ustensile adapté à la taille de l'élément chauffant.

AVERTISSEMENT : POUR RÉDUIRE LE RISQUE DE DOMMAGES CORPORELS APRÈS LE DÉCLENCHEMENT D'UN FEU DE GRAISSE SUR LA CUISINIÈRE, APPLIQUER LES RECOMMANDATIONS SUIVANTES :^a

- Placer sur le récipient un couvercle bien ajusté, une tôle à biscuits ou un plateau métallique **POUR ÉTOUFFER LES FLAMMES**, puis éteindre le brûleur. **VEILLER À ÉVITER LES BRÛLURES.** Si les flammes ne s'éteignent pas immédiatement, **ÉVACUER LA PIÈCE ET APPELER LES POMPIERS.**
- **NE JAMAIS PRENDRE EN MAIN UN RÉCIPENT ENFLAMMÉ** - vous risquez de vous brûler.
- **NE PAS UTILISER D'EAU**, ni un torchon humide - ceci pourrait provoquer une explosion de vapeur brûlante.
- Utiliser un extincteur **SEULEMENT** si :
 - Il s'agit d'un extincteur de classe ABC, dont on connaît le fonctionnement.
 - Il s'agit d'un petit feu encore limité à l'endroit où il s'est déclaré.
 - Les pompiers ont été contactés.
 - Il est possible de garder le dos orienté vers une sortie pendant l'opération de lutte contre le feu.

^aRecommandations tirées des conseils de sécurité en cas d'incendie de cuisine publiés par la NFPA.

- **AVERTISSEMENT :** Pour réduire le risque d'incendie ou de choc électrique, ne pas utiliser ce ventilateur avec un quelconque dispositif de réglage de la vitesse à semi-conducteurs.

LIRE ET CONSERVER CES INSTRUCTIONS

EXIGENCES D'INSTALLATION

Outils et pièces

Rassembler les outils et composants nécessaires avant d'entreprendre l'installation. Lire et observer les instructions fournies avec chacun des outils de la liste ci-dessous.

Outils nécessaires

- Perceuse
- 1 foret de 1 ¼" (3 cm)
- Foret de ⅛" (3 mm) pour avant-trous
- Crayon
- Pince à dénuder ou couteau utilitaire
- Mètre-ruban ou règle
- Pistolet à calfeutrage et composé de calfeutrage résistant aux intempéries
- Tournevis à lame plate
- Tournevis Phillips

Pour une installation avec décharge à l'extérieur, vous aurez également besoin de :

- Scie sauteuse ou scie à guichet
- Brides de conduit
- Cisaille de ferblantier
- Compas ou gabarit de diamètre 8" (20,3 cm)

Pièces fournies

Retirer les pièces de l'emballage. Vérifier que toutes les pièces sont présentes.

- 2 - filtres métalliques
- 6 - vis de montage de 4,5 x 13 mm
- 3 - vis de clapet de 4 x 8 mm
- Module clapet/connecteur de conduit de 3¼" x 10" (8,3 x 25,4 cm)
- 4 - vis de 5 x 45 mm
- 4 - vis d'ancrage mural de 8 x 40 mm
- Ensemble de recyclage
- Filtres à charbon - Installation sans décharge à l'extérieur (recyclage). Pour commander des filtres à charbon de rechange, voir la section "Assistance ou service".

Pièces nécessaires

Installations avec décharge à l'extérieur :

- Conduit métallique rond de 3¼" x 10" (8,3 x 25,4 cm) ou d'un diamètre de 6" (15,2 cm) ou plus
- Clapet anti-reflux de 6" (15,2 cm) ou plus de diamètre, pour utilisation avec un circuit d'évacuation de 6" (15,2 cm) ou plus de diamètre
- Raccord de transition de 3¼" x 10" (8,3 x 25,4 cm) sur 6" (15,2 cm) ou plus de diamètre pour utilisation avec circuit d'évacuation d'un diamètre de 6" (15,2 cm) ou plus.

Pour placards avec cavité au fond :

- Deux tringles d'appui de largeur 2" (5,1 cm). Longueur et épaisseur selon les dimensions de l'encastrement.
- Quatre vis à bois à tête plate ou vis à métaux avec rondelles et écrous, pour la fixation des tringles d'appui.

Exigences d'emplacement

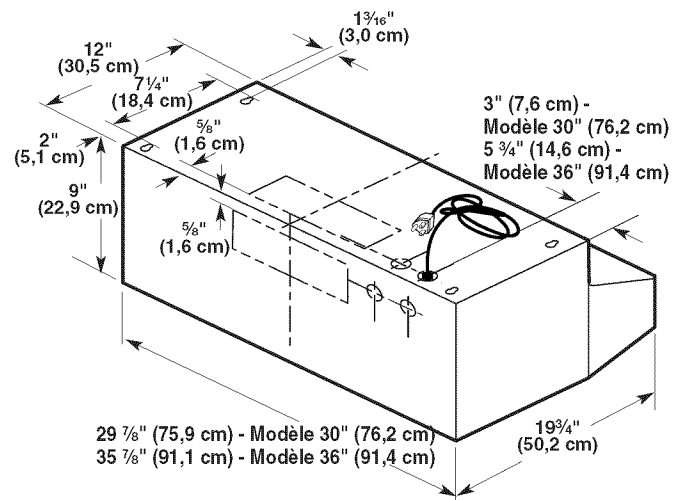
IMPORTANT : Observer les dispositions de tous les codes et règlements en vigueur.

- C'est à l'installateur qu'incombe la responsabilité de respecter les distances de séparation exigées, spécifiées sur la plaque signalétique de l'appareil. La plaque signalétique est située à l'intérieur de la hotte, sur la paroi gauche.
- Installer la hotte de cuisinière à distance de toute zone exposée à des courants d'air, comme fenêtres, portes et bouches de chauffage.
- Respecter les dimensions indiquées pour les ouvertures à découper dans les placards; ces dimensions tiennent compte des valeurs minimales des dégagements de séparation. Avant d'effectuer des découpages, consulter les instructions d'installation fournies par le fabricant de la table de cuisson/cuisinière.
- On doit disposer d'une prise de courant électrique reliée à la terre. Voir la section "Spécifications électriques".
- La hotte a été configurée à l'usine pour une installation avec décharge à l'extérieur. Pour une installation sans décharge à l'extérieur (recyclage), l'ensemble de recyclage est inclus. Voir la section "Assistance ou service" pour commander un filtre à charbon de rechange (pièce n° W10272068).
- Assurer l'étanchéité au niveau de chaque ouverture découpée dans le plafond ou le mur pour l'installation de la hotte de cuisinière.

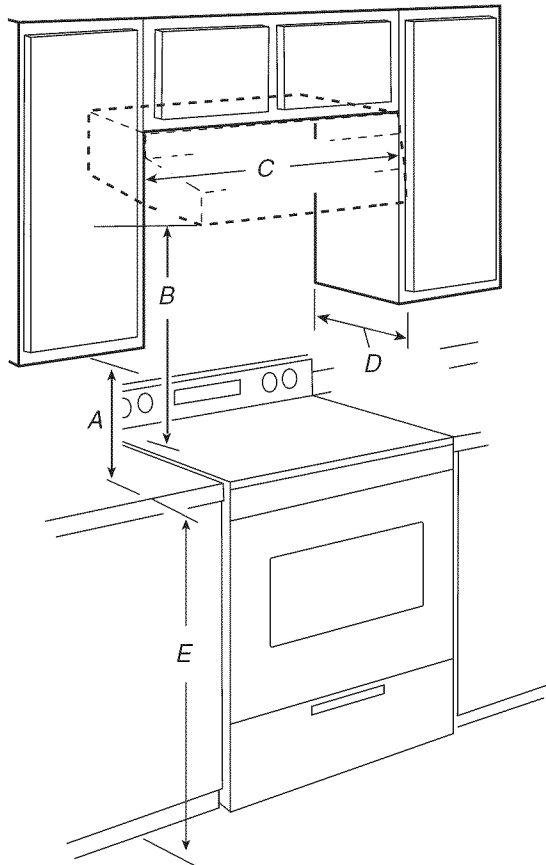
Installation dans une résidence mobile

L'installation de ce circuit d'évacuation doit satisfaire aux exigences de la norme Manufactured Home Construction Safety Standards, Titre 24 CFR, partie 328 (anciennement Federal Standard for Mobile Home Construction and Safety, titre 24, HUD, partie 280); lorsque cette norme n'est pas applicable, l'installation doit satisfaire aux critères de la plus récente édition de la norme Manufactured Home Installation 1982 (Manufactured Home Sites, Communities and Setups) ANSI A225.1/NFPA 501A*, ou des codes et règlements locaux.

Dimensions du produit



Dégagements de séparation à respecter



A. Dégagement min. de 18" (45,7 cm) entre le placard supérieur et le plan de travail

B. Distance maximale suggérée du bas de la hotte à la surface de cuisson
24" (61 cm) min. pour surfaces de cuisson électriques
27" (68,6 cm) min. pour surfaces de cuisson au gaz
30" (76,2 cm) max. suggéré

C. Largeur minimale de l'ouverture du placard de 30" (76,2 cm) ou 36" (91,4 cm)

D. Profondeur de placard 13" (33 cm)

E. Hauteur de placard du bas 36" (91,4 cm)

Exigences concernant l'évacuation (Uniquement pour modèles avec évacuation)

- Le système d'évacuation doit décharger l'air à l'extérieur, excepté pour les installations sans décharge à l'extérieur (recyclage).
- Ne pas terminer le conduit d'évacuation dans un grenier ou dans un autre espace fermé.
- Ne pas utiliser une bouche de décharge murale de 4" (10,2 cm) normalement utilisée pour un équipement de buanderie.
- Utiliser un conduit métallique rond de 6" (15,2 cm) ou plus de diamètre, ou un conduit métallique rectangulaire de 3¼" x 10" (8,3 cm x 25,4 cm). Un conduit en métal rigide est recommandé. L'utilisation d'un conduit de plastique ou en feuille métallique est déconseillée.

- La longueur du système d'évacuation et le nombre de coudes doit être réduit au minimum pour fournir la meilleure performance.

Pour un fonctionnement efficace et silencieux :

- Ne pas utiliser plus de trois coudes à 90°.
- Veiller à ce qu'il y ait une section droite de conduit de 24" (61,0 cm) au minimum entre deux coudes, si on doit utiliser plus de un raccord coudé.
- Ne pas installer 2 coudes ensemble.
- Au niveau de chaque jointure du conduit de décharge, assurer l'étanchéité avec les brides de serrage pour conduit.
- Le système d'évacuation doit comporter un clapet. Si la bouche de décharge murale ou par le toit comporte un clapet, ne pas utiliser le clapet fourni avec la hotte de cuisinière.
- Autour de la bouche de décharge à l'extérieur, assurer l'étanchéité avec un produit de calfeutrage.

Installations pour régions à climat froid

On doit installer un clapet anti-reflux supplémentaire à l'arrière pour minimiser le reflux d'air froid, et incorporer un élément d'isolation thermique pour minimiser la conduction de chaleur par l'intermédiaire du conduit d'évacuation, de l'intérieur de la maison à l'extérieur. Le clapet anti-reflux doit être placé du côté air froid par rapport à l'élément d'isolation thermique.

L'élément d'isolation thermique doit être aussi proche que possible de l'endroit où le système d'évacuation s'introduit dans la partie chauffée de la maison.

Air d'appoint

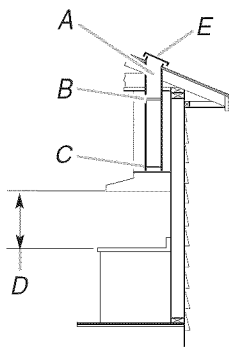
Le code du bâtiment local peut exiger l'emploi d'un système d'appoint d'air lors de l'emploi d'un ventilateur d'extraction dont la capacité d'aspiration est supérieure à un débit (pieds cubes par minute) spécifié. Le débit spécifié, pieds cubes par minute, est variable d'une juridiction à une autre. Consulter un professionnel des installations de chauffage ventilation/climatisation au sujet des exigences spécifiques applicables dans la juridiction locale.

Méthodes d'évacuation

La sortie à l'extérieur du circuit d'évacuation peut se faire à travers le toit ou à travers un mur. Utiliser un conduit rectangulaire de 3¼" x 10" (8,3 cm x 25,4 cm) pour une longueur effective maximale de circuit de 35 pi (10,7 m) ou un conduit rond de 6" (15,2 cm) ou plus de diamètre pour une longueur effective maximale de circuit de 50 pi (15,2 m).

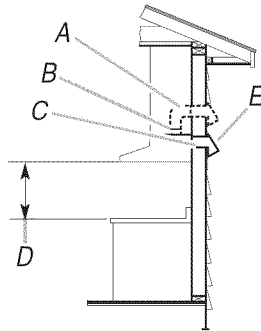
REMARQUE : On déconseille l'emploi d'un conduit flexible. Un conduit flexible peut susciter une rétro-pression et des turbulences de l'air, ce qui réduit considérablement la performance.

Décharge à travers le toit



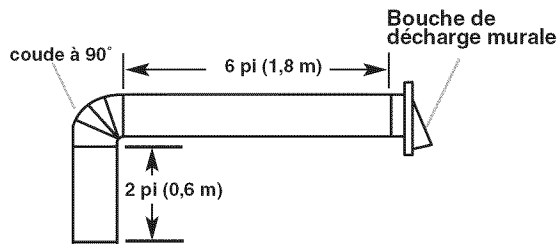
- A. Conduit rond de diamètre 6" (15,2 cm) ou plus ou conduit rectangulaire de 3/4" x 10" (8,3 x 25,4 cm) à travers le toit
- B. Conduit rond : utiliser un clapet rond de 6" (15,2 cm) ou plus de diamètre (achat séparé)
- C. Conduit rond : Utiliser un raccord de transition de 3/4" x 10" (8,3 x 25,4 cm) sur 6" (15,2 cm) ou de plus grande taille (achat séparé).
- D. 24" (61 cm) - 30" (76,2 cm) au-dessus de la surface de cuisson électrique
27" (68,6 cm) - 30" (76,2 cm) au-dessus de la surface de cuisson au gaz
- E. Bouche de décharge sur toit

Décharge à travers le mur



- A. Conduit de diamètre 6" (15,2 cm) ou plus ou conduit rectangulaire de 3/4" x 10" (8,3 x 25,4 cm) à travers le toit
- B. Conduit rond : Utiliser un raccord de transition de 3/4" x 10" (8,3 x 25,4 cm) sur 6" (15,2 cm) ou de plus grande taille
- C. Sortie à travers le mur pour conduit rectangulaire de 3/4" x 10" (8,3 x 25,4 cm)
- D. 24" (61 cm) - 30" (76,2 cm) au-dessus de la surface de cuisson électrique
27" (68,6 cm) - 30" (76,2 cm) au-dessus de la surface de cuisson au gaz
- E. Bouche de décharge murale

Exemple de système de décharge



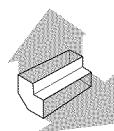
Longueur maximale recommandée = 50 pi (15,2 m)

1 - coude à 90°	= 5 pi (1,5 m)
1 - bouche de décharge murale	= 0 pi (0 m)
section droite de 8 pi (2,4 m)	= 8 pi (2,4 m)
Longueur du système de dia. 7" (17,8 m)	= 13 pi (3,9 m)

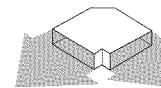
Système de décharge de 3/4" x 10" (8,3 cm x 25,4 cm)

Composant

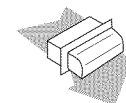
Coude à 90° de 3/4" x 10" (8,3 cm x 25,4 cm) 5 pi (1,5 m)



Coude plat de 3/4" x 10" (8,3 cm x 25,4 cm) 12 pi (3,7 m)



Bouche de décharge murale de 3/4" x 10" (8,3 cm x 25,4 cm) 0 pi (0 m)



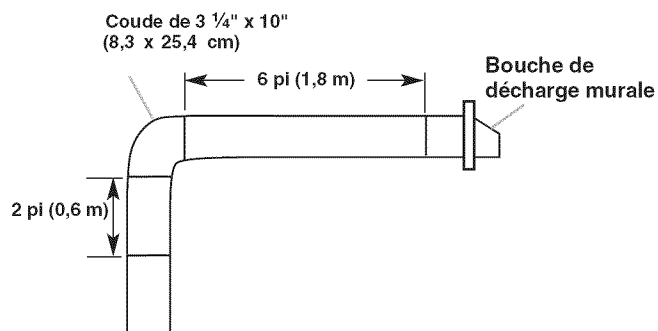
Calcul de la longueur effective du circuit d'évacuation

Pour calculer la longueur effective du circuit d'évacuation nécessaire, additionner les longueurs équivalentes (pieds/mètres) de tous les composants utilisés dans le système.

Système de décharge circulaire de 6" (15,2 cm) ou plus

Composant	Conduit rond	
Coude à 45°	2,5 pi (0,8 m)	
Coude à 90°	5 pi (1,5 m)	
Bouche de décharge murale de 6" (15,2 cm) ou plus	0 pi (0 m)	
3/4" x 10" (8,3 cm x 25,4 cm) sur 6" (15,2 cm) ou plus	4,5 pi (1,4 m)	
Coude à 90° de 3/4" x 10" (8,3 cm x 25,4 cm) sur 6" (15,2 cm) ou plus	5 pi (1,5 m)	

Exemple de système de décharge



Longueur maximale recommandée = 35 pi (10,7 m)

1 - coude à 90°	= 5 pi (1,5 m)
section droite de 8 pi (2,4 m)	= 8 pi (2,4 m)
1 - bouche de décharge murale	= 0 pi (0 m)
Longueur du système de 3/4" x 10" (8,3 cm x 25,4 cm)	= 13 pi (3,9 m)

Spécifications électriques

IMPORTANT : La hotte doit être correctement reliée à la terre en conformité avec les codes et règlements locaux en vigueur, ou en l'absence de tels codes, avec le National Electrical Code, ANSI/NFPA 70 (dernière édition) ou le Code canadien des installations électriques, CSA C22.1. No. 0-M91 (dernière édition).

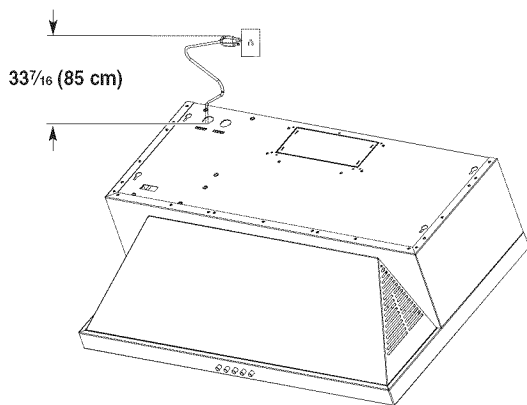
Si les codes le permettent et si on utilise un conducteur distinct de liaison à la terre, il est recommandé qu'un électricien qualifié vérifie la qualité de la liaison à la terre.

Pour obtenir un exemplaire des normes des codes ci-dessus, contacter :

National Fire Protection Association
One Batterymarch Park
Quincy, MA 02269

CSA International
8501 East Pleasant Valley Road
Cleveland, Ohio 44131-5575

- Une alimentation de 120 volts, 60 Hz, CA seulement, de 15 ou 20 ampères, protégée par un fusible est requise. On recommande également d'utiliser un fusible ou un disjoncteur temporisé. Il est recommandé de raccorder la hotte sur un circuit distinct exclusif à cet appareil.
- Cette hotte est équipée d'un cordon d'alimentation électrique de liaison à la terre à trois broches.
- Pour minimiser les risques de choc électrique, on doit brancher le cordon sur une prise de courant de configuration correspondante, à 3 alvéoles, reliée à la terre et installée conformément aux codes et règlements locaux. Si une prise de courant de configuration correspondante n'est pas disponible, le client a la responsabilité et l'obligation de faire installer par un électricien qualifié une prise de courant correctement reliée à la terre.
- La prise à 3 broches reliée à la terre doit se trouver dans un placard situé au-dessus de la hotte, à une distance maximale de $33\frac{7}{16}$ " (85,0 cm) à partir du point duquel le cordon d'alimentation sort de la hotte. Voir l'illustration.



INSTRUCTIONS DE MISE À LA TERRE

- Pour une hotte reliée à la terre et connectée par un cordon :

Cette hotte doit être reliée à la terre. Au cas où un court-circuit se produirait, la liaison à la terre réduit le risque de choc électrique, en permettant au courant de s'échapper directement vers la terre. La hotte est équipée d'un cordon comportant un conducteur de liaison à la terre avec fiche de liaison à la terre. La fiche doit être branchée dans une prise correctement installée et reliée à la terre.

AVERTISSEMENT : Une mise à la terre incorrecte peut entraîner un risque de choc électrique.

Consulter un électricien qualifié si les instructions de mise à la terre ne sont pas complètement comprises, ou si vous avez des doutes quant à la qualité de la liaison à la terre de la hotte.

Ne pas utiliser de câble de rallonge. Si le cordon d'alimentation électrique est trop court, faire installer une prise près de la hotte par un électricien qualifié.

CONSERVEZ CES INSTRUCTIONS

INSTRUCTIONS D'INSTALLATION

Préparation de l'emplacement

REMARQUE : Pour les installations avec décharge à l'extérieur, on recommande d'installer le circuit d'évacuation avant d'entreprendre l'installation de la hotte.

Avant d'exécuter les découpages, vérifier la disponibilité d'un dégagement suffisant dans le plafond ou le mur pour le conduit d'évacuation.

1. Pour les installations avec décharge à l'extérieur, déterminer la méthode d'évacuation à utiliser : à travers le toit ou à travers le mur.
2. Sélectionner une surface plane pour l'assemblage de la hotte. Placer le matériau de protection sur cette surface.

⚠ AVERTISSEMENT

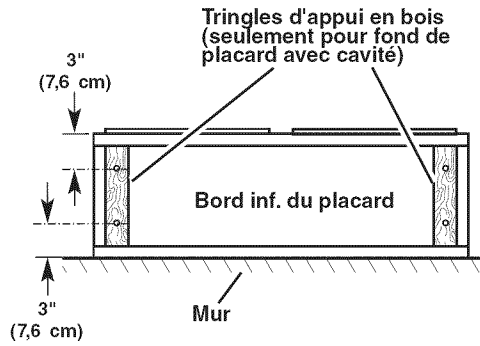
Risque du poids excessif

Utiliser deux ou plus de personnes pour déplacer et installer la hotte de la cuisinière.

Le non-respect de cette instruction peut causer une blessure au dos ou d'autre blessure.

3. À l'aide d'au moins 2 personnes, soulever la hotte et la placer à l'envers sur une surface couverte.

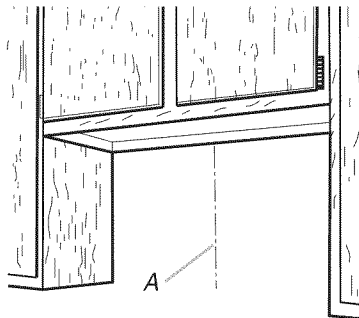
4. Si le fond du placard forme une cavité, ajouter des tringles d'appui en bois de chaque côté. Installer les vis pour fixer les tringles d'appui aux emplacements indiqués.



Déterminer l'emplacement du trou de passage du câble

Percer seulement un trou de passage de $\frac{1}{4}$ " (3,2 cm) de diamètre pour le câblage. Voir l'étape 2 pour des instructions sur l'emplacement du trou de passage du câblage.

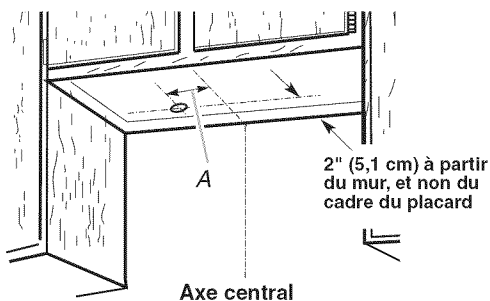
1. Déterminer et tracer l'axe central vertical sur le mur et le placard dans la zone où le passage du conduit d'évacuation sera réalisé.



A. Axe central

2. Câblage à travers le sommet du placard :

Tracer une ligne à distance "A" à gauche de l'axe central, sur la face inférieure du placard. Sur cette ligne, marquer le point situé à 2" (5 cm) du mur arrière. Percer en ce point un trou de $1\frac{1}{4}$ " (3 cm) de diamètre à travers le placard.



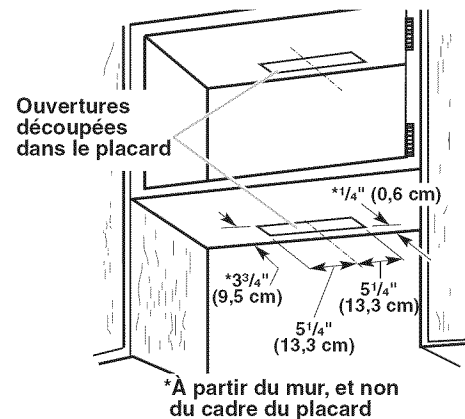
A. 12 " (30,5 cm) pour les modèles de 30 " (76,2 cm)
 $12\frac{1}{4}$ " (31,1 cm) pour les modèles de 36 " (91,4 cm)

Style 1 - Découpages d'ouverture pour un système d'évacuation rectangulaire de $3\frac{1}{4}$ " x 10 " (8,3 cm x 25,4 cm)

Décharge à travers le toit

Découpage d'une ouverture rectangulaire de $3\frac{1}{2}$ " x $10\frac{1}{2}$ " (8,9 cm x 26,7 cm) dans le fond et le sommet de la face inférieure du placard :

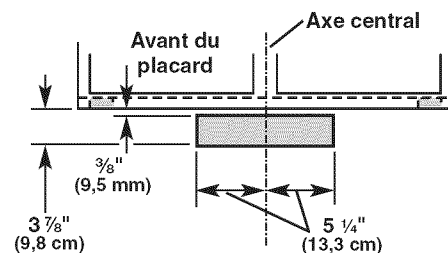
1. Tracer des lignes à $\frac{1}{4}$ " (0,6 cm) et $3\frac{3}{4}$ " (9,5 cm) du mur arrière, sur l'axe central de la face inférieure du placard.
2. Tracer des lignes à $5\frac{1}{4}$ " (13,3 cm) de part et d'autre de l'axe central sur la face inférieure du placard.
3. Utiliser une scie sauteuse ou une scie à guichet pour découper l'ouverture rectangulaire pour le passage du conduit d'évacuation.
4. Répéter les étapes 1 à 3 pour la face inférieure du sommet du placard.



Évacuation par le mur

Découpage d'une ouverture rectangulaire de $3\frac{1}{2}$ " x $10\frac{1}{2}$ " (8,9 cm x 26,7 cm) dans le mur :

1. Mesurer 2 lignes de $\frac{3}{8}$ " (9,5 mm) et $3\frac{7}{8}$ " (9,8 cm) en descendant à partir de la face inférieure du placard et marquer leur emplacement sur l'axe central du mur arrière.
2. Tracer des lignes à $5\frac{1}{4}$ " (13,3 cm) de part et d'autre de l'axe central sur le mur.
3. Utiliser une scie sauteuse ou une scie à guichet pour découper l'ouverture rectangulaire du système d'évacuation dans le mur.

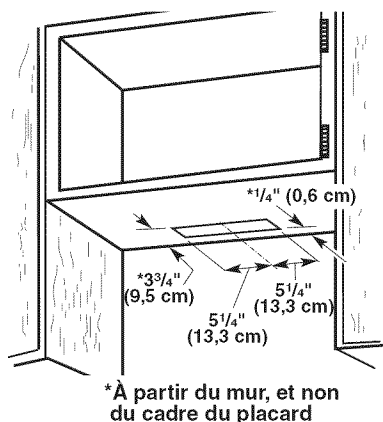


Style 2 – Découpages d'ouverture pour un conduit rectangulaire de 3¼" x 10" (8,3 x 25,4 cm) sur raccord de transition rond

Décharge à travers le toit

Découpage d'une ouverture rectangulaire de 3½" x 10½" (8,9 cm x 26,7 cm) sur la face inférieure du fond du placard :

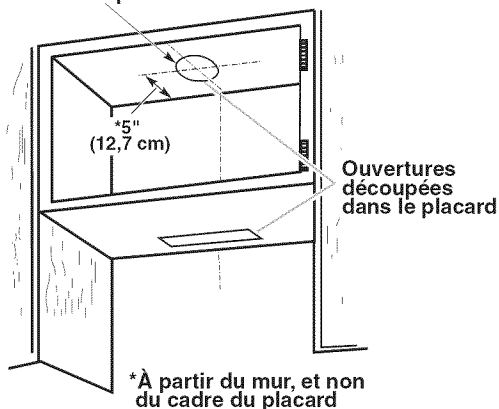
1. Tracer des lignes à ¼" (0,6 cm) et 3¾" (9,5 cm) du mur arrière, sur l'axe central de la face inférieure du placard.
2. Tracer des lignes à 5¼" (13,3 cm) de part et d'autre de l'axe central sur la face inférieure du placard.
3. Utiliser une scie sauteuse ou une scie à guichet pour découper l'ouverture rectangulaire pour le passage du conduit d'évacuation.



Découpage d'une ouverture circulaire sur la face inférieure du sommet du placard :

1. Tracer un axe central sur la face inférieure du sommet du placard.
2. Tracer une ligne de 5" (12,7 cm) en partant du mur arrière sur la face inférieure du sommet du placard.
3. Utiliser un compas ou un gabarit circulaire pour tracer un cercle avec un diamètre de ¼" (0,64 cm) supérieur à celui du conduit d'évacuation.
4. Utiliser une scie sauteuse ou une scie à guichet pour découper l'ouverture circulaire pour le passage du conduit d'évacuation.

Ouverture pour le conduit circulaire

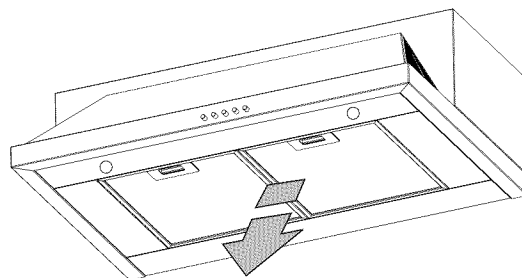


Installation du conduit d'évacuation

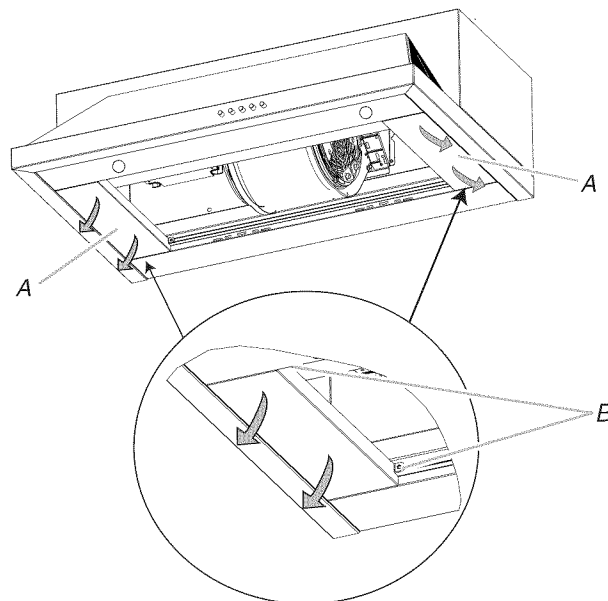
1. Installer le conduit d'évacuation à travers les ouvertures découpées dans le placard mural ou le mur. Achever l'installation du système d'évacuation conformément à la méthode d'évacuation sélectionnée. Voir la section "Exigences concernant l'évacuation".
2. À l'aide d'un produit de calfeutrage, assurer l'étanchéité autour de la bouche de décharge à l'extérieur (à travers le mur ou le toit).

Installation de la hotte

1. Ôter les filtres à graisse. Voir la section "Entretien de la hotte".



2. Retirer les vis de montage et les supports latéraux.



A. Supports latéraux
B. Vis de montage

3. Installations avec décharge à l'extérieur :

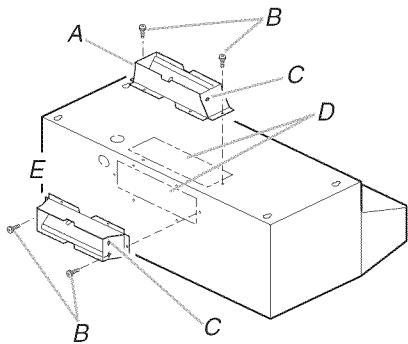
- Selon votre installation, retirer l'opercule rectangulaire supérieur ou arrière du conduit d'évacuation. Si l'on utilise un conduit d'évacuation circulaire, retirer l'opercule arrachable rectangulaire supérieur.

REMARQUE : Ne pas retirer les opercules arrachables rectangulaires si l'installation de la hotte correspond à une installation sans décharge à l'extérieur (recyclage).

- Veiller à ce que le pivot du clapet soit le plus proche possible du bord supérieur/arrière de la hotte.
- Enlever le ruban adhésif du volet du clapet.

REMARQUE : Le clapet/adaptateur d'évacuation peut être installé jusqu'à 1" (2,5 cm) de chaque côté du centre de la hotte pour pouvoir installer les conduits décentrés.

- Si l'on utilise un conduit rectangulaire, fixer les connecteurs rectangulaires du clapet/conduit à la hotte à l'aide de vis de tôlerie.

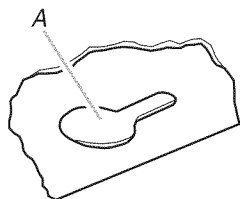


A. Conduit vertical
B. Vis de tôlerie
C. Axe de charnière
D. Opercules arrachables du conduit d'évacuation
E. Conduit horizontal

- En cas d'utilisation d'un conduit circulaire, fixer le raccord de transition (achat séparé) au sommet de la hotte à l'aide de vis de tôlerie.

REMARQUE : Si la bouche de décharge murale est située directement derrière le connecteur de conduit, on doit veiller à empêcher toute interférence entre les clapets du connecteur et de la bouche de décharge murale. En cas d'interférence, supprimer le clapet du connecteur de conduit.

4. Soulever la hotte sous le placard et déterminer sa position d'installation finale en la centrant sous le placard. Sur la face inférieure du placard, marquer l'emplacement des 4 trous de montage sur la hotte. Placer la hotte à part sur une surface couverte.



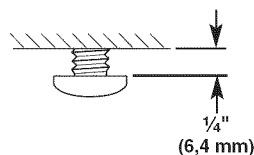
A. Trou en forme de serrure

5. À l'aide d'un foret de 1/8" (3 mm), percer 4 avant-trous tel qu'illustré.



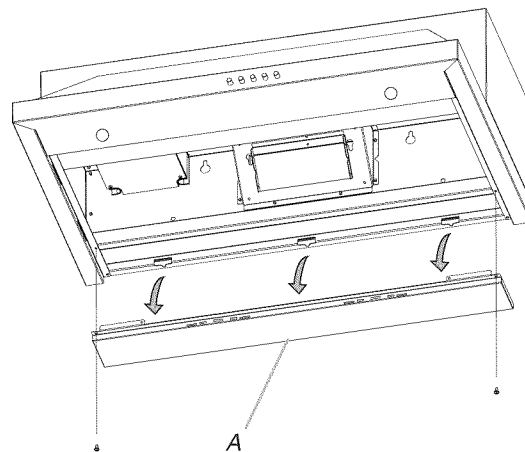
A. Perçage des avant-trous

6. Installer les 4 vis de montage n° 10 x 5/8" dans les avant-trous. Laisser un espace d'environ 1/4" (6,4 cm) entre les têtes des vis et le placard pour faire glisser la hotte et la mettre en place.



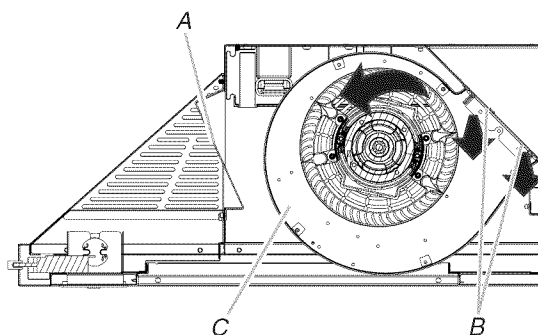
7. Installations sans décharge à l'extérieur (recyclage) :

- Retirer les vis et le support arrière.



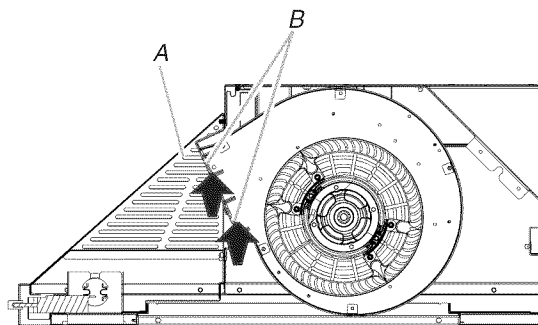
A. Support arrière

- Retirer les vis de montage du ventilateur. Pousser le ventilateur vers le haut pour le détacher de la plaque de montage.
- Retirer l'opercule arrachable de la plaque de montage avant.



A. Opercule arrachable de la plaque de montage avant
B. Vis de montage du ventilateur
C. Ventilateur

- Faire pivoter le ventilateur et le fixer à la plaque de montage avant. Installer les vis de montage du ventilateur.



A. Plaque de montage avant
B. Vis de montage du ventilateur

- Installer les filtres à charbon. Voir la section "Entretien de la hotte".

8. À deux personnes, soulever la hotte jusqu'à sa position finale, tout en insérant le câble électrique à travers le trou de passage du câble. Positionner la hotte de façon à ce que la partie la plus large des trous en forme de serrure se trouve par-dessus la tête des vis. Puis pousser la hotte vers le mur pour engager la partie étroite des trous sur les vis de fixation. Serrer les vis de montage sur le placard, en veillant à ce que chaque vis reste dans la partie étroite du trou de la hotte.
9. Le cas échéant, vérifier que le clapet peut manœuvrer librement vers le haut et vers le bas.
10. Réinstaller le support arrière.
11. Réinstaller les 2 supports latéraux.
12. Réinstaller les filtres. Voir la section "Entretien de la hotte".

⚠ AVERTISSEMENT



Risque de choc électrique

Brancher sur une prise à 3 alvéoles reliée à la terre.

Ne pas enlever la broche de liaison à la terre.

Ne pas utiliser un adaptateur.

Ne pas utiliser un câble de rallonge.

Le non-respect de ces instructions peut causer un décès, un incendie ou un choc électrique.

13. Brancher le cordon d'alimentation à 3 broches dans la prise à 3 alvéoles reliée à la terre située dans le placard qui se trouve au-dessus de la hotte.
14. **Installations avec décharge à l'extérieur seulement :**
Raccorder le circuit d'évacuation à la hotte. Assurer l'étanchéité des jointures avec des brides pour conduits.

Achever l'installation

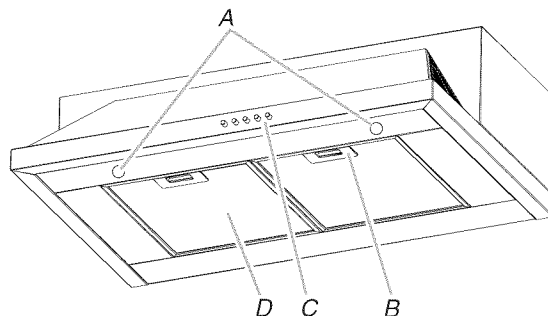
1. Réinstaller les filtres à graisse. Voir la section "Entretien de la hotte".
2. Contrôler le fonctionnement du ventilateur de la hotte et de la lampe. Voir la section "Utilisation de la hotte".
Si la hotte ne fonctionne pas, déterminer si un disjoncteur s'est ouvert ou si un fusible du domicile est grillé. Déconnecter la source de courant électrique et inspecter les connexions du câblage.

REMARQUE : Pour pouvoir tirer le plus grand parti de la nouvelle hotte de cuisinière, lire la section "Utilisation de la hotte".

UTILISATION DE LA HOTTE

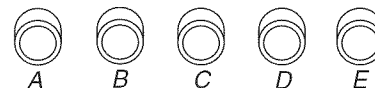
La hotte de cuisinière est conçue pour extraire fumée, vapeurs de cuisson et odeurs de la zone de la table de cuisson. Pour obtenir les meilleurs résultats, mettre le ventilateur de la hotte en marche avant d'entreprendre une cuisson, et laisser le ventilateur fonctionner pendant plusieurs minutes après l'achèvement d'une cuisson pour pouvoir évacuer de la cuisine toute trace d'odeur de cuisson, vapeur ou fumée.

Les commandes de la hotte sont situées au centre de celle-ci.



- A. Logements des lampes à halogène
- B. Poignée du plateau à graisse
- C. Commandes du ventilateur et de l'éclairage
- D. Filtre à graisse

Commandes de la hotte de cuisinière



- A. Bouton d'éclairage On/Off (marche/arrêt)
- B. Bouton d'arrêt du ventilateur
- C. Bouton de vitesse du ventilateur minimale
- D. Bouton de vitesse du ventilateur moyenne
- E. Bouton de vitesse du ventilateur maximale

Commande de la lampe

Le bouton d'éclairage On/Off contrôle les deux lampes. Appuyer une fois pour On (marche) et une deuxième fois pour Off (arrêt).

Utilisation du ventilateur

Les boutons BLOWER SPEED (vitesse du ventilateur) activent le ventilateur et contrôlent la vitesse du ventilateur et le niveau sonore pour un fonctionnement silencieux. On peut modifier la vitesse à tout moment pendant le fonctionnement du ventilateur en appuyant sur le bouton de vitesse du ventilateur souhaité.

Le bouton BLOWER OFF (arrêt ventilateur) éteint le ventilateur.

ENTRETIEN DE LA HOTTE

Nettoyage

IMPORTANT : Nettoyer fréquemment la hotte et les filtres à graisse en suivant les instructions suivantes. Réinstaller les filtres à graisse avant de faire fonctionner la hotte.

Surfaces externes :

Afin d'éviter d'endommager la surface externe, ne pas utiliser de tampons en laine d'acier ou de tampons à récurer savonneux.

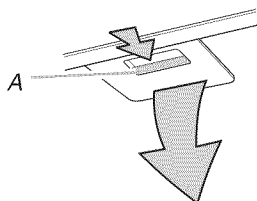
Toujours essuyer pour éviter de laisser des marques d'eau.

Méthode de nettoyage :

- Savon détergent liquide et eau, ou produit de nettoyage polyvalent.
- Frotter avec un chiffon doux humide ou une éponge non abrasive, puis rincer avec de l'eau propre et essuyer.

Filtre à graisse métallique :

1. Retirer chaque filtre en tirant sur la poignée à ressort puis en tirant sur le filtre.



A. Poignée à ressort

2. Laver le filtre métallique selon le besoin au lave-vaisselle ou avec une solution de détergent chaude.
3. Réinstaller le filtre en s'assurant que les poignées à ressort sont orientées vers l'avant. Insérer le filtre d'aluminium dans la rainure supérieure.
4. Enfoncer la poignée à ressort.
5. Pousser le filtre métallique vers le haut et relâcher la poignée pour l'emboîter.
6. Répéter les étapes 1 à 5 pour l'autre filtre.

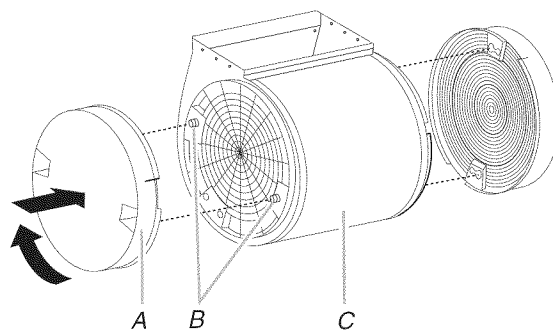
Filtres d'installation sans décharge à l'extérieur (recyclage) :

Le filtre à charbon n'est pas lavable. Celui-ci devrait durer pendant six mois dans des conditions d'utilisation normales. Remplacer par l'ensemble de filtre à charbon numéro W10272068.

Remplacement du filtre à charbon :

1. Placer le filtre à charbon sur la grille protégeant le moteur du ventilateur de façon à ce que les encoches du filtre

correspondent aux tiges situées sur les côtés de la grille de protection du moteur.



A. Filtre à charbon
B. Tiges
C. Moteur du ventilateur

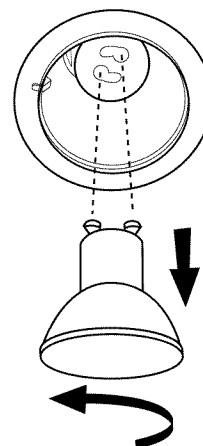
2. Faire pivoter le filtre à charbon dans le sens horaire pour l'emboîter.
3. Répéter les étapes 1 à 2 pour l'autre filtre.

Remplacement d'une lampe à halogène

Interrompre l'alimentation de la hotte; attendre le refroidissement de la lampe à halogène. Pour éviter d'endommager ou de réduire la longévité de l'ampoule neuve, ne pas toucher l'ampoule avec les doigts nus. Remplacer l'ampoule en la manipulant avec un mouchoir de papier ou des gants de coton.

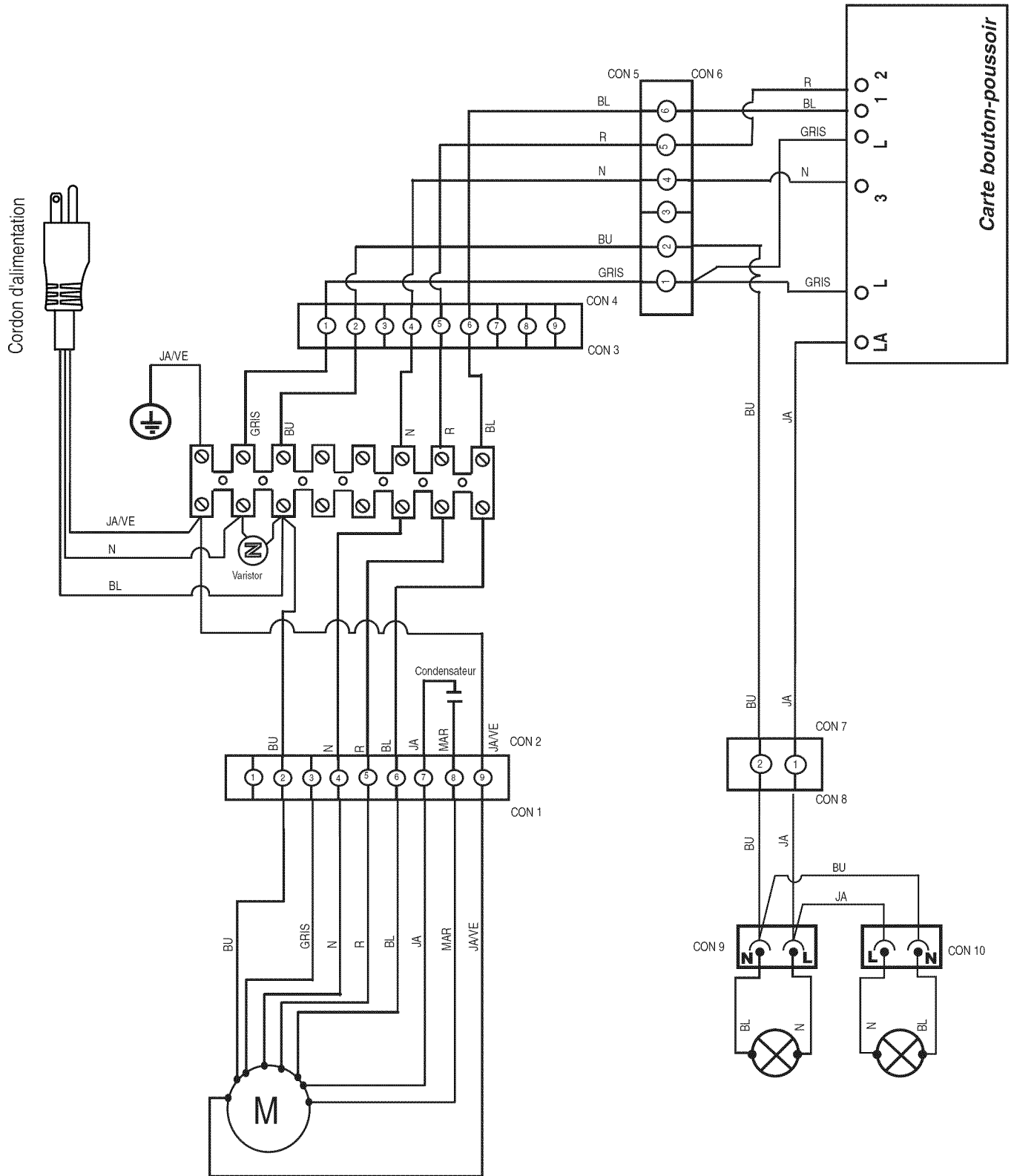
Si les nouvelles lampes ne fonctionnent pas, vérifier que chaque lampe est correctement insérée dans sa douille avant de demander l'intervention d'un dépanneur.

1. Déconnecter la source de courant électrique.
2. Pousser la plaque de verre vers le haut et la tourner dans le sens antihoraire.



3. Retirer l'ampoule et la remplacer par une ampoule halogène GU10 de 120 volts, 50 watts maximum. La tourner dans le sens horaire pour l'emboîter.
4. Répéter les étapes 2 à 3 pour l'autre ampoule, si nécessaire.
5. Reconnecter la source de courant électrique.

SCHÉMA DE CÂBLAGE



ASSISTANCE OU SERVICE

Lors d'un appel pour assistance ou service, veuillez connaître la date d'achat, le numéro de modèle et le numéro de série au complet de l'appareil. Ces renseignements nous aideront à mieux répondre à votre demande.

Si vous avez besoin de pièces de rechange

Si vous avez besoin de commander des pièces de rechange, nous vous recommandons d'employer uniquement des pièces spécifiées par l'usine. Les pièces spécifiées par l'usine conviendront et fonctionneront bien parce qu'elles sont fabriquées avec la même précision utilisée dans la fabrication de chaque nouvel appareil. Pour localiser des pièces spécifiées par l'usine dans votre région, nous appeler ou téléphoner au centre de service désigné le plus proche.

Au Canada

Veuillez appeler sans frais le Centre pour l'eXpérience de la clientèle de Whirlpool Canada LP au : **1-800-807-6777**.

Nos consultants vous renseigneront sur les sujets suivants :

- Caractéristiques et spécifications sur toute notre gamme d'appareils électroménagers.
- Consignes d'utilisation et d'entretien.
- Ventes d'accessoires et de pièces de rechange.

- Références aux marchands locaux, aux distributeurs de pièces de rechange et aux compagnies de service. Les techniciens de service désignés par Whirlpool Canada LP sont formés pour remplir la garantie des produits et fournir un service après la garantie, partout au Canada.

Pour plus d'assistance

Si vous avez besoin de plus d'assistance, vous pouvez soumettre par écrit toute question ou préoccupation à Whirlpool Canada LP à l'adresse suivante :

Centre pour l'eXpérience de la clientèle
Whirlpool Canada LP
1901 Minnesota Court
Mississauga, Ontario L5N 3A7

Veuillez inclure dans votre correspondance un numéro de téléphone où l'on peut vous joindre dans la journée.

Accessoires

Filtre à charbon de rechange (Ensemble de 2 filtres)

(pour les installations sans décharge à l'extérieur seulement)

Pièce numéro W10272068

GARANTIE DES GROS APPAREILS MÉNAGERS WHIRLPOOL CORPORATION

GARANTIE LIMITÉE

Pendant un an à compter de la date d'achat, lorsque ce gros appareil ménager est utilisé et entretenu conformément aux instructions jointes à ou fournies avec le produit, Whirlpool Corporation ou Whirlpool Canada LP (ci-après désignées "Whirlpool") paiera pour les pièces spécifiées par l'usine et la main-d'œuvre pour corriger les vices de matériaux ou de fabrication. Le service doit être fourni par une compagnie de service désignée par Whirlpool. Cette garantie limitée est valide uniquement aux États-Unis ou au Canada et s'applique exclusivement lorsque l'appareil est utilisé dans le pays où il a été acheté. À l'extérieur du Canada et des 50 États des États-Unis, cette garantie limitée ne s'applique pas. Une preuve de la date d'achat original est exigée pour obtenir un service dans le cadre de la présente garantie limitée.

ARTICLES EXCLUS DE LA GARANTIE

La présente garantie limitée ne couvre pas :

1. Les visites de service pour rectifier l'installation du gros appareil ménager, montrer à l'utilisateur comment utiliser l'appareil, remplacer ou réparer des fusibles ou rectifier le câblage ou la plomberie du domicile.
2. Les visites de service pour réparer ou remplacer les ampoules électriques de l'appareil, les filtres à air ou les filtres à eau. Les pièces consommables ne sont pas couvertes par la garantie.
3. Les réparations lorsque le gros appareil ménager est utilisé à des fins autres que l'usage unifamilial normal ou lorsque les instructions d'installation et/ou les instructions de l'opérateur ou de l'utilisateur fournies ne sont pas respectées.
4. Les dommages imputables à : accident, modification, usage impropre ou abusif, incendie, inondation, actes de Dieu, installation fautive ou installation non conforme aux codes d'électricité ou de plomberie, ou l'utilisation de pièces consommables ou de produits nettoyants non approuvés par Whirlpool.
5. Les défauts apparents, notamment les éraflures, les bosses, fissures ou tout autre dommage au fini du gros appareil ménager, à moins que ces dommages soient dus à des vices de matériaux ou de fabrication et soient signalés à Whirlpool dans les 30 jours suivant la date d'achat.
6. Toute perte d'aliments due à une défaillance du réfrigérateur ou du congélateur.
7. Les coûts associés au transport du gros appareil ménager du domicile pour réparation. Ce gros appareil ménager est conçu pour être réparé à domicile et seul le service à domicile est couvert par la présente garantie.
8. Les réparations aux pièces ou systèmes résultant d'une modification non autorisée faite à l'appareil.
9. Les frais de transport pour le service d'un produit si votre gros appareil est situé dans une région éloignée où un service d'entretien Whirlpool autorisé n'est pas disponible.

10. La dépose et la réinstallation de votre gros appareil si celui-ci est installé dans un endroit inaccessible ou n'est pas installé conformément aux instructions d'installation fournies.
11. Les gros appareils ménagers dont les numéros de série et de modèle originaux ont été enlevés, modifiés ou qui ne peuvent pas être facilement identifiés. La présente garantie est nulle si le numéro de série d'usine a été modifié ou enlevé du gros appareil ménager. Le coût d'une réparation ou d'un remplacement dans le cadre de ces circonstances exclues est à la charge du client.

CLAUSE D'EXONÉRATION DE RESPONSABILITÉ AU TITRE DES GARANTIES IMPLICITES; LIMITATION DES RECOURS

LE SEUL ET EXCLUSIF RECOURS DU CLIENT DANS LE CADRE DE LA PRÉSENTE GARANTIE LIMITÉE CONSISTE EN LA RÉPARATION PRÉVUE CI-DESSUS. LES GARANTIES IMPLICITES, Y COMPRIS LES GARANTIES APPLICABLES DE QUALITÉ MARCHANDE ET D'APTITUDE À UN USAGE PARTICULIER, SONT LIMITÉES À UN AN OU À LA PLUS COURTE PÉRIODE AUTORISÉE PAR LA LOI. WHIRLPOOL N'ASSUME AUCUNE RESPONSABILITÉ POUR LES DOMMAGES FORTUITS OU INDIRECTS. CERTAINES JURIDICTIONS NE PERMETTENT PAS L'EXCLUSION OU LA LIMITATION DES DOMMAGES FORTUITS OU INDIRECTS, OU LES LIMITATIONS DE LA DURÉE DES GARANTIES IMPLICITES DE QUALITÉ MARCHANDE OU D'APTITUDE À UN USAGE PARTICULIER, DE SORTE QUE CES EXCLUSIONS OU LIMITATIONS PEUVENT NE PAS S'APPLIQUER DANS VOTRE CAS. CETTE GARANTIE VOUS CONFÈRE DES DROITS JURIDIQUES SPÉCIFIQUES ET VOUS POUVEZ ÉGALEMENT JOUIR D'AUTRES DROITS QUI PEUVENT VARIER D'UNE JURIDICTION À UNE AUTRE.

Si vous résidez à l'extérieur du Canada et des 50 États des États-Unis, contactez votre marchand Whirlpool autorisé pour déterminer si une autre garantie s'applique.

Si vous avez besoin de service, voir d'abord la section "Dépannage" du Guide d'utilisation et d'entretien. Après avoir vérifié la section "Dépannage", de l'aide supplémentaire peut être trouvée en vérifiant la section "Assistance ou service" ou en appelant Whirlpool. Aux É.-U., composer le **1-800-253-1301**. Au Canada, composer le **1-800-807-6777**. 2/09

Conservez ce manuel et votre reçu de vente ensemble pour référence ultérieure. Pour le service sous garantie, vous devez présenter un document prouvant la date d'achat ou d'installation.

Inscrivez les renseignements suivants au sujet de votre gros appareil ménager pour mieux vous aider à obtenir assistance ou service en cas de besoin. Vous devrez connaître le numéro de modèle et le numéro de série au complet. Vous trouverez ces renseignements sur la plaque signalétique située sur le produit.

Nom du marchand _____

Adresse _____

Numéro de téléphone _____

Numéro de modèle _____

Numéro de série _____

Date d'achat _____