



**INSTALLATION INSTRUCTIONS
SEMI-PRO FRONT-LOAD WASHER
ORIGINAL INSTRUCTIONS**

**INSTRUCTIONS D'INSTALLATION
LAVE-LINGE SEMI-PRO A CHARGEMENT FRONTAL
TRADUCTION DES INSTRUCTIONS D'ORIGINE**

**INSTRUCCIONES DE INSTALACIÓN
LAVADORA SEMIPROFESIONAL DE CARGA FRONTAL
TRADUCCIÓN DE LAS INSTRUCCIONES ORIGINALES**

**ISTRUZIONI D'INSTALLAZIONE
LAVATRICE SEMI-PRO A CARICAMENTO FRONTALE
TRADUZIONE DELLE ISTRUZIONI ORIGINALI**

**INSTALLATIONSANLEITUNG
FRONTLOADER-WASCHMASCHINE FÜR DEN HÄUFIGEN GERBRAUCHÜBER-
SETZUNG DER ORIGINAL-BEDIENUNGSANLEITUNG**

Table of Contents/Table des matières/Índice/Sommario/Inhaltsverzeichnis.....2

Model/Modèle/Modelo/Modello/Modell
3LCHW9100YQ

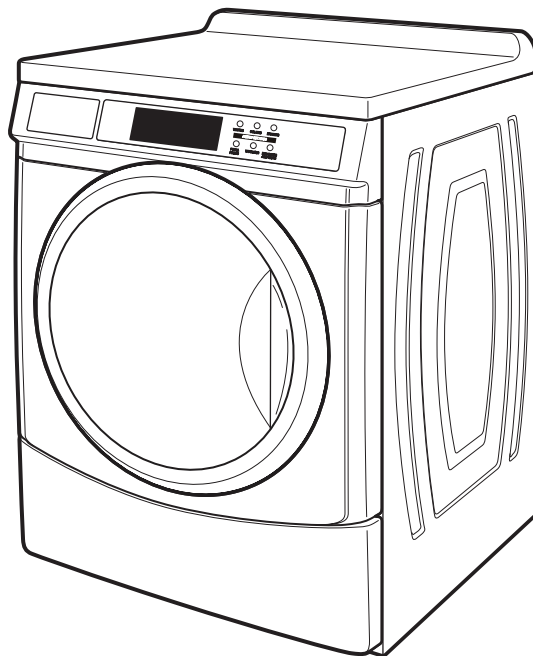


TABLE OF CONTENTS

WASHER SAFETY	2
WASHER DISPOSAL	4
INSTALLATION REQUIREMENTS	4
Tools and Parts	4
Options.....	5
Location Requirements	5
Drain System.....	6
Electrical Requirements	6
INSTALLATION INSTRUCTIONS	7
Remove Transport System.....	7
Power Cord Installation.....	8
Connect the Inlet Hoses.....	8
Connect the Drain Hose.....	9
Secure the Drain Hose	10
Level the Washer	10
Complete Installation	10
CONTROL SET-UP INSTRUCTIONS	11
General Information.....	11
Control Set-up Procedures	11
Set-up Codes.....	12
Washer Diagnostic Mode	12
WASHER CARE	14
Cleaning Your Washer	14
Water Inlet Hoses	14
ASSISTANCE OR SERVICE	14
Accessories	14
DECLARATION OF CONFORMITY	15

TABLE DES MATIERES

SECURITE DU LAVE-LINGE	16
MISE AU REBUT DU LAVE-LINGE	17
EXIGENCES D'INSTALLATION	17
Outillage et pièces.....	17
Options.....	18
Exigences d'emplacement.....	18
Système de vidange.....	19
Spécifications électriques	19
INSTRUCTIONS D'INSTALLATION	20
Dépose du système de transport.....	20
Installation du cordon d'alimentation.....	21
Raccordement des tuyaux d'arrivée d'eau	21
Raccordement du tuyau de vidange	22
Immobilisation du tuyau de vidange	23
Réglage de l'aplomb du lave-linge	23
Achever l'installation	23
INSTRUCTIONS DE PARAMÉTRAGE DU MODULE	
DE COMMANDE	24
Informations générales.....	24
Procédures de réglage des systèmes de commande.....	24
Codes de paramétrage	25
Mode de diagnostic du lave-linge.....	26
ENTRETIEN DU LAVE-LINGE	27
Nettoyage du lave-linge	27
Tuyaux d'arrivée d'eau	28
ASSISTANCE OU SERVICE	28
Accessoires	28

ÍNDICE

SEGURIDAD DE LA LAVADORA	29
ELIMINACIÓN DE LA LAVADORA	30
REQUISITOS DE INSTALACIÓN	30
Herramientas y piezas.....	30
Opciones.....	31
Requisitos de ubicación.....	31
Sistema de desagüe	32
Requisitos eléctricos.....	32
INSTRUCCIONES DE INSTALACIÓN	33
Eliminación del sistema protector de transporte	33
Instalación del cable de suministro de energía.....	34
Conexión de las mangueras de entrada	34
Conexión de la manguera de desagüe	35
Fijación de la manguera de desagüe	36
Nivelación de la lavadora	36
Complete la instalación	36
INSTRUCCIONES DE PROGRAMACIÓN DEL CONTROL	37
Información general	37
Procedimientos de programación del control.....	37
Códigos de programación	38
Modo de diagnóstico de la lavadora.....	39
CUIDADO DE LA LAVADORA	40
Cómo limpiar su lavadora	40
Mangueras de entrada de agua	40
AYUDA O SERVICIO TÉCNICO	41
Accesorios	41

SOMMARIO

SICUREZZA DELLA LAVATRICE	42
SMALTIMENTO DELLA LAVATRICE	43
REQUISITI D'INSTALLAZIONE	43
Attrezzi e componenti	43
Opzioni	44
Requisiti di posizionamento	44
Sistema di scarico	45
Requisiti elettrici.....	45
ISTRUZIONI D'INSTALLAZIONE	46
Rimozione del sistema di trasporto.....	46
Installazione del cavo di alimentazione.....	47
Collegamento dei tubi	47
Collegamento del tubo di scarico	48
Fissaggio del tubo di scarico	49
Livellamento della lavatrice	49
Installazione completa	49
ISTRUZIONI PER L'UTENTE E DI CONFIGURAZIONE	50
Informazioni di carattere generale.....	50
Procedure di configurazione dei comandi	50
Codici di configurazione.....	51
Modalità diagnostica della lavatrice.....	52
MANUTENZIONE DELLA LAVATRICE	53
Pulizia della lavatrice	53
Tubi di ingresso dell'acqua.....	53
ASSISTENZA O MANUTENZIONE	54
Accessori.....	54

INHALTSVERZEICHNIS

GERÄTESICHERHEIT	55	PROGRAMMIERUNGSANLEITUNG	63
ENTSORGUNG DER WASCHMASCHINE	56	Allgemeine Hinweise	63
INSTALLATIONSVORAUSSETZUNGEN	56	Programmieren der Waschmaschine	63
Werkzeug und Zubehör	56	Einstellcodes	64
Optionen	57	Diagnosemodus der Waschmaschine	65
Standortvoraussetzungen	57	PFLEGE UND WARTUNG DER WASCHMASCHINE	66
Ablaufsystem	58	Reinigung der Waschmaschine	66
Netzanschluss	58	Zulaufschläuche	67
INSTALLATIONSANLEITUNG	59	REPARATUR- UND KUNDENDIENST	67
Entfernung der Transportsicherung	59	Zusätze	67
Montage des Netzsteckers	60		
Anschluss der Zulaufschläuche	60		
Den Ablaufschlauch anschließen	61		
Sicherung des Ablaufschlauchs	62		
Ausrichten der Waschmaschine	62		
Abschluss der Installation	62		

WASHER SAFETY

Your safety and the safety of others are very important.

We have provided many important safety messages in this manual and on your appliance. Always read and obey all safety messages.



This is the safety alert symbol.

This symbol alerts you to potential hazards that can kill or hurt you and others.

All safety messages will follow the safety alert symbol and either the word "DANGER" or "WARNING."

These words mean:

⚠ DANGER

You can be killed or seriously injured if you don't immediately follow instructions.

⚠ WARNING

You can be killed or seriously injured if you don't follow instructions.

All safety messages will tell you what the potential hazard is, tell you how to reduce the chance of injury, and tell you what can happen if the instructions are not followed.

IMPORTANT SAFETY INSTRUCTIONS

WARNING: To reduce the risk of fire, electric shock, or injury to persons when using the washer, follow basic precautions, including the following:

- Under certain conditions, hydrogen gas may be produced in a hot water system that has not been used for 2 weeks or more. **HYDROGEN GAS IS EXPLOSIVE.** If the hot water system has not been used for such a period, before using the washing machine, turn on all hot water faucets and let the water flow from each for several minutes. This will release any accumulated hydrogen gas. As the gas is flammable, do not smoke or use an open flame during this time.
- Before the washer is removed from service or discarded, remove the door or lid.
- Do not install or store the washer where it will be exposed to the weather.
- Do not repair or replace any part of the washer or attempt any servicing unless specifically recommended in this manual or in published user-repair instructions that you understand and have the skills to carry out.
- See "Electrical Requirements" for earthing instructions.

SAVE THESE INSTRUCTIONS

WASHER DISPOSAL



This appliance is marked according to the European directive 2002/ 96/ EC on Waste Electrical and Electronic Equipment (WEEE).

By ensuring this product is disposed of correctly, you will help avoid potential negative consequences for the environment and human health, which could otherwise be caused by inappropriate waste handling of this product.

The symbol on the product, or on the documents accompanying the product, indicates that this appliance may not be treated as household waste. Instead it shall be handed over to the applicable collection point for the recycling of electrical and electronic equipment.

Disposal must be carried out in accordance with local environmental regulations for waste disposal.

For more detailed information about treatment, recovery and recycling of this product, please contact your local city office, your household waste disposal service or the shop where you purchased the product.

Model Nomenclature

3L – Voltage 230v/50Hz plug code
 CHW – Commercial Horizontal Washer
 91 – Model Type number

INSTALLATION REQUIREMENTS

Tools and Parts

Gather the required tools and parts before starting installation. The parts supplied are in the washer drum.

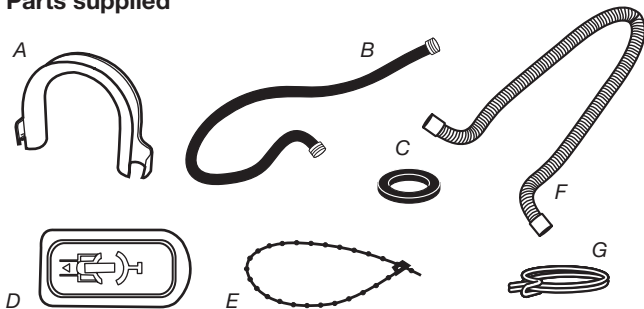
Tools needed for connecting the water inlet hoses:

- Pliers (that open to 39.5 mm [1 $\frac{5}{16}$ "])
- Flashlight (optional)

Tools needed for installation

- Open-end wrenches 1/2" and 9/16"
- Torx^{®†} T-20 Security screwdriver
- 1/4" nut driver
- Level
- Wood block
- Ruler or measuring tape

Parts supplied



- A. U-shaped hose form
- B. Water inlet hoses (2)
- C. Inlet hose washers (4)
- D. Transit bolt hole plug (4)
- E. Beaded tie strap
- F. Drain hose
- G. Hose clamp

Alternate Parts

Your installation may require additional parts. If you are interested in purchasing one of the items listed here, contact your authorized Whirlpool distributor.

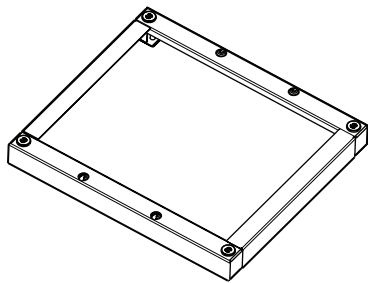
If You Have	You Will Need to Buy
Laundry tub or standpipe taller than 2.4 m (96")	Sump pump system (if not already available)
Overhead sewer	Standard 76 L (20 gal.), 762 mm (30") tall drain tub or utility sink and sump pump (available from local plumbing suppliers)
Floor drain	Siphon break, Part Number 285320; additional drain hose, Part Number 8318155; and Floor drain kit, Part Number 280129
Drain hose too short	1.2 m (4 ft.) drain hose extension kit, Part Number 285834

†® TORX is a registered trademark of Saturn Fasteners, Inc.

Options

Pedestal

You have the option of purchasing pedestals separately for this washer. The pedestal will add to the total height of the washer.



Optional pedestal

Pedestal Height	Approximate height with washer	Color	Part Number
(73 mm) 2 ⁷ / ₈ "	(1207 mm) 47.5"	White	WHP0400VW

Location Requirements

Selecting the proper location for your washer improves performance and minimizes noise and possible washer “walk.”

Your washer can be installed under a custom counter, or in a basement, laundry room, or recessed area. See “Drain System.”

Companion appliance location requirements should also be considered. Proper installation is your responsibility.

You will need

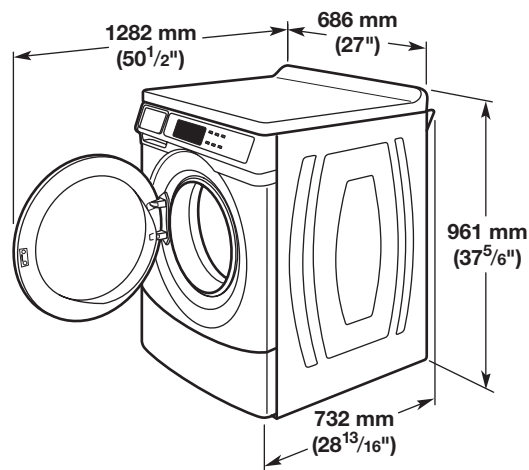
- A water heater set to deliver 60°C (140°F) water to the washer.
- An earthed electrical outlet located within 1.8 m (6 ft.) of where the power cord is attached to the back of the washer. See “Electrical Requirements.”
- Hot and cold water taps located within 1.2 m (4 ft.) of the hot and cold water fill valves, and water pressure of 137.9–689.6 kPa (20–100 psi).
- A level floor with a maximum slope of 25 mm (1") under entire washer. Installing the washer on soft floor surfaces, such as carpets or surfaces with foam backing, is not recommended.
- A sturdy and solid floor to support the washer with a total weight (water and load) of 180 kg (400 lbs).

Do not operate your washer in temperatures below 0°C (32°F). Some water can remain in the washer and can cause damage in low temperatures.

Installation clearances

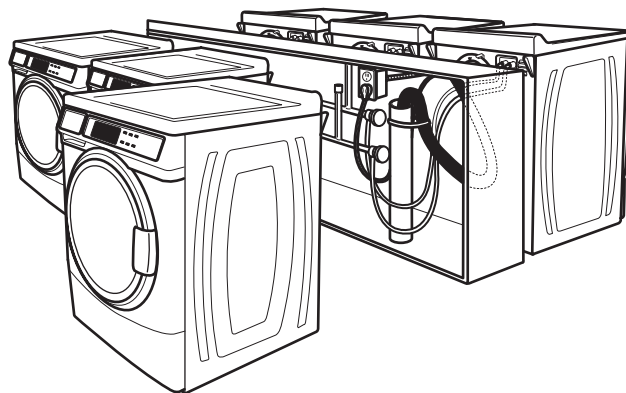
- The location must be large enough to allow the washer door to be fully opened.
- Additional spacing should be considered for ease of installation and servicing. The door opens more than 90° and it is not reversible.
- Additional clearances might be required for wall, door, and floor moldings.
- Additional spacing of 25 mm (1") on all sides of the washer is recommended to reduce noise transfer.
- Companion appliance spacing should also be considered.
- Removal of mains plug provides the function of an emergency stop control. When installed, the mains plug must be visible and accessible to the user for washer disconnection from the mains supply.

Washer Dimensions



Door is not reversible.

A floor drain should be provided under the bulkhead. Prefabricated bulkheads with electrical outlets, water inlet lines, and drain facilities should be used only where local codes permit.



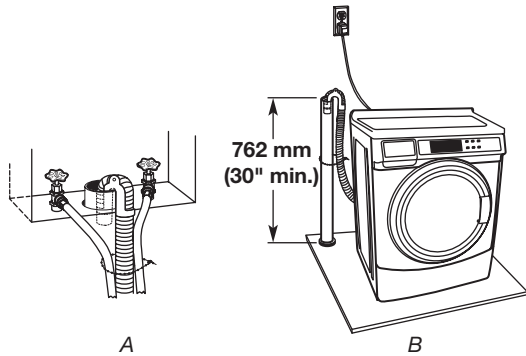
Drain System

The washer can be installed using the standpipe drain system (floor or wall), the laundry tub drain system, or the floor drain system. Select the drain hose installation method you need. See "Tools and Parts."

Standpipe drain system – wall or floor (views A & B)

The standpipe drain requires a minimum diameter standpipe of 50 mm (2"). The minimum carry-away capacity can be no less than 45.5 L (12 gal.) per minute.

The top of the standpipe must be at least 762 mm (30") high and no higher than 2.4 m (96") from the bottom of the washer.



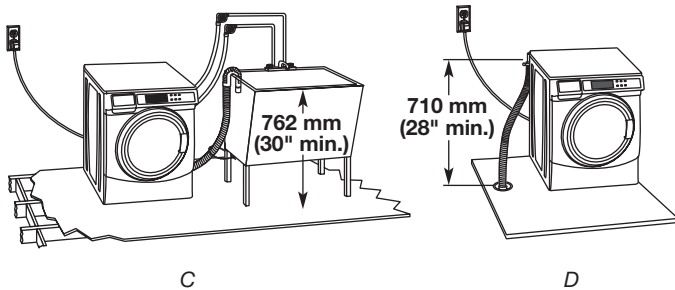
Laundry tub drain system (view C)

The laundry tub needs a minimum 76 L (20 gal.) capacity. The top of the laundry tub must be at least 762 mm (30") above the floor.

Floor drain system (view D)

The floor drain system requires a siphon break that may be purchased separately. See "Tools and Parts."

The siphon break must be a minimum of 710 mm (28") from the bottom of the washer. Additional hoses might be needed.



Electrical Requirements

⚠ WARNING



Dangerous Voltage

⚠ WARNING



Electric Shock Hazard

Plug into an earthed socket outlet.

Do not use an adapter.

Do not use an extension cord.

Failure to follow these instructions can result in death, fire, or electric shock.

- A 220-240V, 50 Hz., fused electrical supply is required. A time-delay 10-16A fuse or circuit breaker is recommended.
- This washer is equipped with a power supply cord having an earthed plug.
- To minimize possible shock hazard, the cord must be plugged into an earthed socket outlet, earthed in accordance with local codes and ordinances. If a mating outlet is not available, it is the personal responsibility and obligation of the customer to have the properly earthed outlet installed by a qualified electrician.
- If codes permit and a separate earth wire is used, it is recommended that a qualified electrician determine that the earth path is adequate.
- If the supply cord is damaged, it must be replaced by the manufacturer, its service agent, or a qualified person to avoid a hazard.
- Do not earth to a gas pipe.
- Check with a qualified electrician if you are not sure the washer is properly earthed.

- Do not have a fuse in the neutral or earth circuit.

EARTHING INSTRUCTIONS

This washer must be earthed. In the event of a malfunction or breakdown, earthing will reduce the risk of electric shock by providing a path of least resistance for electric current. This washer is equipped with a cord having an equipment-earthing conductor and an earthing plug. The plug must be plugged into an appropriate outlet that is properly installed and earthed in accordance with all local codes and ordinances.

WARNING: Improper connection of the equipment-earthing conductor can result in a risk of electric shock. Check with a qualified electrician or serviceman if you are in doubt as to whether the appliance is properly earthed.

Do not modify the plug provided with the appliance – if it will not fit the outlet, have a proper outlet installed by a qualified electrician.

NOTE: Electrical safety standards: The manufacturer has chosen compliance with IEC/EN.60335 standards as the most appropriate for this product.

- Sound Pressure Level, Lpa: 58 dbA (uncertainty, Kpa: +/-3.6 dbA).

INSTALLATION INSTRUCTIONS

Remove Transport System

⚠ WARNING

Excessive Weight Hazard

Use two or more people to move and install washer.

Failure to do so can result in back or other injury.

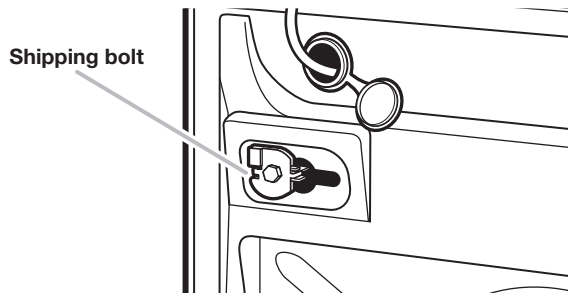
Max. packed weight:
111 kg (244.71 lb)

Max. unpacked weight:
107 kg (235.89 lb)

IMPORTANT: Position the washer so that the rear of the washer is within approximately 900 mm (3 ft.) of its final location.

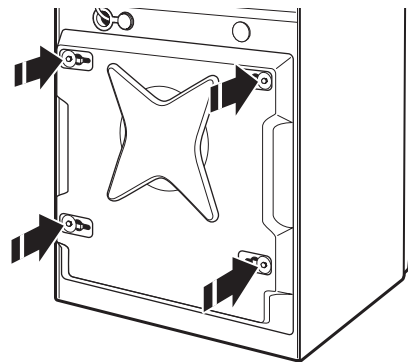
There are 4 shipping bolts in the rear panel of the washer that support the suspension system during transportation. These bolts also retain the power cord inside the washer until the bolts are removed.

1. Keep the washer in the upright position while removing the shipping bolts.

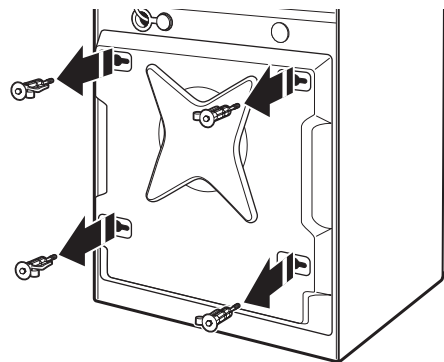


Shipping bolt with plastic spacer

2. Using a 1/2" wrench, loosen each of the bolts.



3. Once the bolt is loose, move it to the center of the hole and completely pull out the bolt, including the plastic spacer covering the bolt.



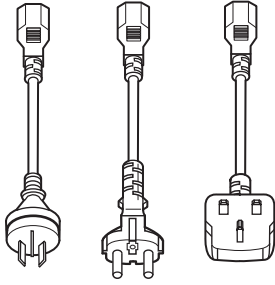
4. Once all 4 bolts are removed, discard the bolts and spacers. Then push the power cord plug into the opening on the right side of the rear panel and pull the power cord through the opening on the left side of the rear panel and close holes with the attached cap. Do not pull plug end of power cord through the right side hole.

5. Close the bolt holes with the 4 transport bolt hole plugs.

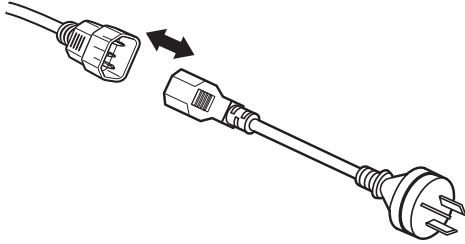
NOTE: If the washer is to be transported at a later date, call your product distributor or installer. To avoid suspension and structural damage, your washer must be properly set up for relocation by a trained professional.

Power Cord Installation

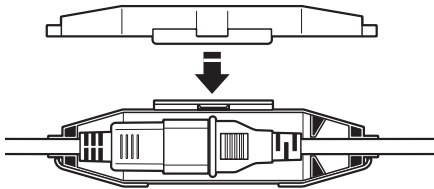
1. Select the plug that fits with the electric receptacle.



2. Assemble the plug into the end of the power cord.



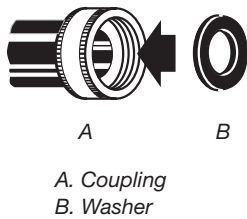
3. Secure the power cord by seating the connection on the cord lock.



4. Place the cord lock cover and push until it snaps.
5. Make sure the power cord connection is seated on the cord lock and that the cord lock clamps correctly.

Connect the Inlet Hoses

Connection to the water supply should be in accordance with local or national regulations. Insert new flat washers (supplied) into each end of the inlet hoses. Firmly seat the washers in the couplings.

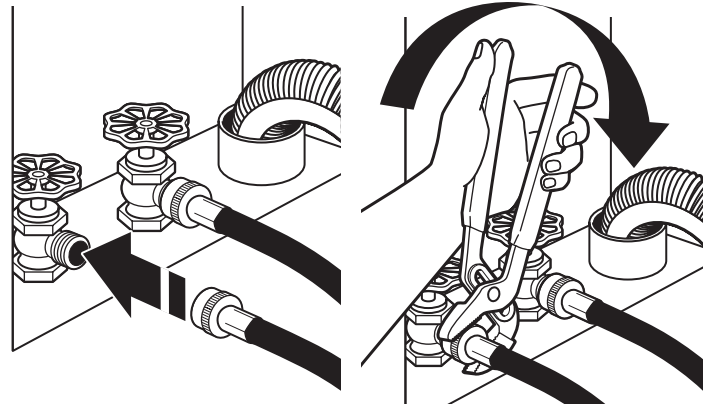


- Use the new inlet hoses supplied with washer. Do not re-use old inlet hoses.

Connect the inlet hoses to the water faucets

Make sure the washer drum is empty.

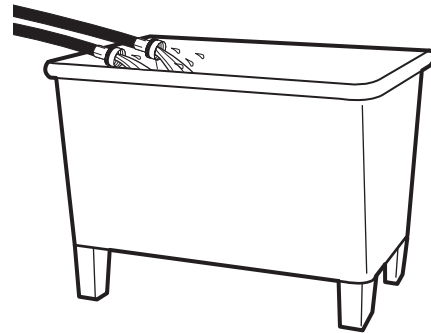
1. Attach a hose to the hot water tap. Screw on coupling by hand until it is seated on the washer.
2. Attach a hose to the cold water tap. Screw on coupling by hand until it is seated on the washer.
3. Using pliers, tighten the couplings with an additional two-thirds turn.



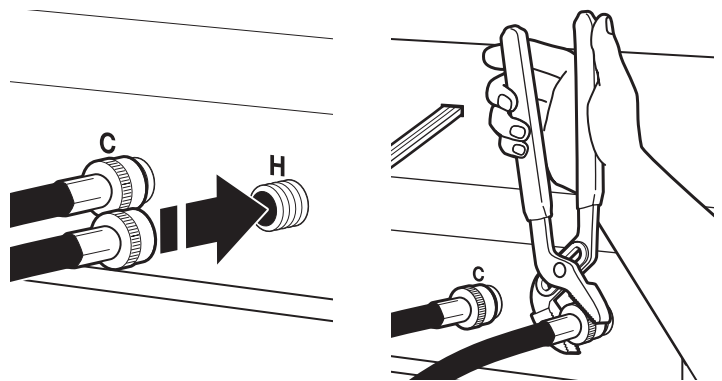
NOTE: Do not overtighten or use tape or sealants on the valve. Damage to the valves can result.

Clear water lines

- Run water through both faucets and inlet hoses, into a laundry tub, drainpipe, or bucket to get rid of particles in the water lines that might clog the inlet valve screens.
- Check the temperature of the water to make sure that the hot water hose is connected to the hot water faucet and that the cold water hose is connected to the cold water faucet.



Connect inlet hoses to washer



C. Cold water inlet
H. Hot water inlet

1. Attach the hot water hose to the check valve on washer's hot (H) water inlet valve. Screw on coupling by hand until it is seated on the check valve.

2. Attach the cold water hose to the check valve on washer's cold (C) water inlet valve. Screw on coupling by hand until it is seated on the check valve.
 3. Using pliers, tighten the couplings with an additional two-thirds turn.
- NOTE:** Do not overtighten. Damage to the coupling can result.
4. Turn on the water taps completely and check for leaks.



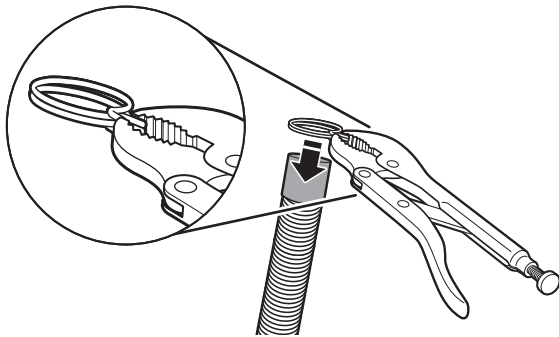
NOTE: Replace inlet hoses after 5 years of use to reduce the risk of hose failure. Record hose installation or replacement dates on the hoses for future reference.

Periodically inspect and replace hoses if bulges, kinks, cuts, wear, or leaks are found.

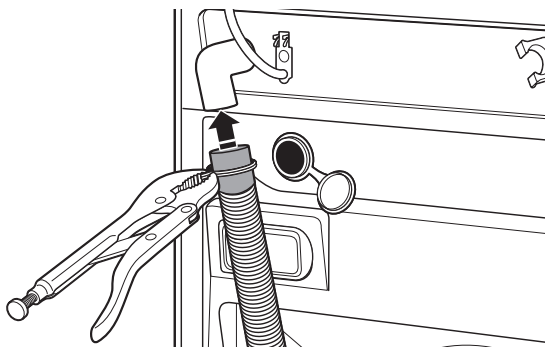
Connect the Drain Hose

Remove drain hose from washer drum

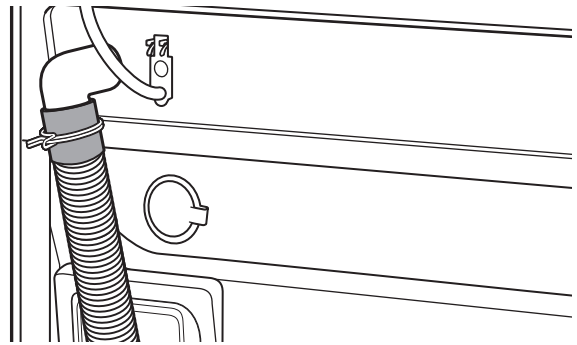
1. Use locking pliers, squeeze hose clamp tabs together and insert over the end of drain hose.



2. Slide drain hose onto washer connection.



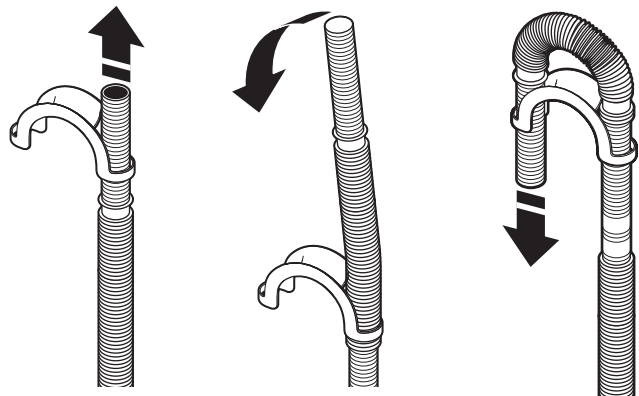
3. Once drain hose is in place, release pliers.



Washer drain system can be installed using a floor drain, wall standpipe, floor standpipe, or laundry tub.

Laundry tub drain or standpipe drain

Connect the drain hose form to the corrugated drain hose.



To keep drain water from going back into the washer:

- Use the drain hose form, and do not force excess drain hose into standpipe. Hose should be secure, but loose enough to provide a gap for air.
- Do not lay excess hose on the bottom of the laundry tub.

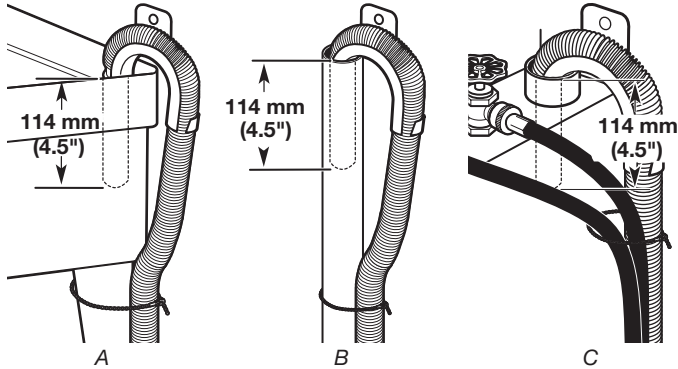
Floor drain

You may need additional parts. See Floor drain under "Tools and Parts."

Secure the Drain Hose

Drain hose must be secured to stop the hose from moving when water is pumped out. If the drain hose moves, water may end up on the floor.

1. Drape the power cord over the washer top.
2. Move the washer to its final location.
3. Place the drain hose in the laundry tub or standpipe as shown. See illustrations A and B.



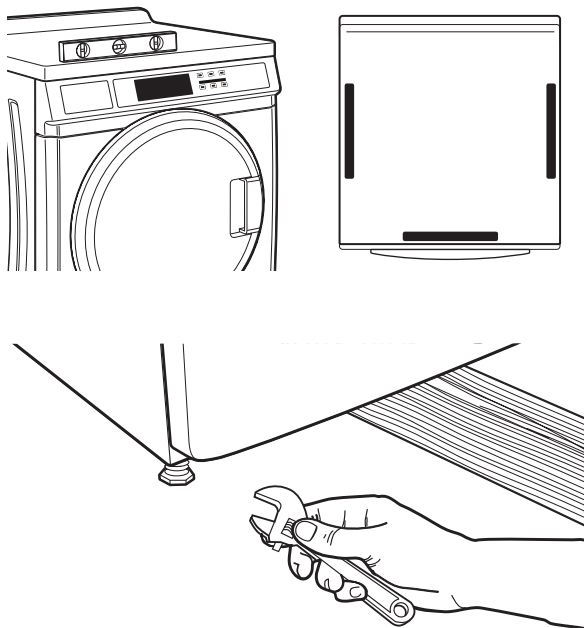
NOTES:

- Do not force excess drain hose back into the rear of the washer.
- To avoid siphoning, do not seal or put more than 114 mm (4.5") of the drain hose into drainpipe or standpipe.
- If the washer faucets and the drain standpipe are recessed, put the hooked end of the drain hose in the standpipe as shown. See illustration C.

Level the Washer

Properly leveling your washer avoids excessive noise and vibration.

1. Check the levelness of the washer by placing a level on the top edge of the washer, first side to side, then front to back.



If the washer is against a wall, move the washer out slightly before tipping back. If the washer is not level, first prop the front with a wood block and adjust the feet as necessary; then prop the back and adjust feet as necessary. Repeat this step until washer is level.

2. Make sure all four feet are stable and resting on the floor. Then check that the washer is level (use a level).
 3. After the washer is level, use a 9/16" open-end wrench to turn the nuts on the feet tightly against the washer cabinet.
- IMPORTANT:** All four feet must be tightened. If the nuts are not tight against the washer cabinet, the washer may vibrate.
4. The washer should not move front to back, side to side, or diagonally when pushed on its top edges.
 5. Slide the washer to its final location.
 6. Confirm the levelness of the washer.

Complete Installation

1. Check the electrical requirements. Be sure that you have the correct electrical supply and the recommended earthing method. See "Electrical Requirements."
2. Check that all parts are now installed. If there is an extra part, go back through the steps to see which step was skipped.
3. Check that you have all of your tools.
4. Dispose of/recycle all packaging materials.
5. Check that the water taps are on.
6. Check for leaks around taps and inlet hoses.

⚠ WARNING



Electric Shock Hazard

Plug into an earthed socket outlet.

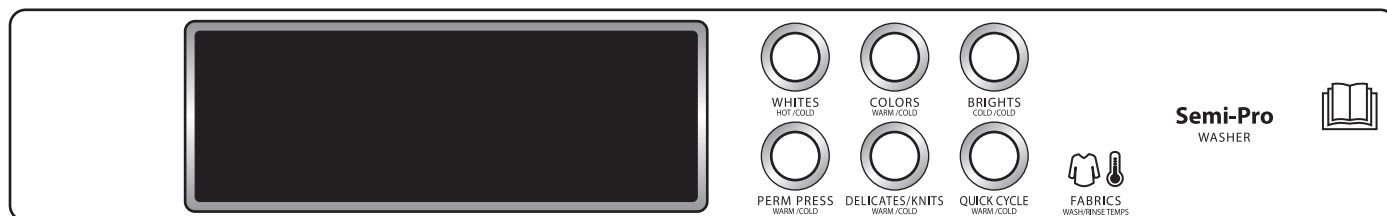
Do not use an adapter.

Do not use an extension cord.

Failure to follow these instructions can result in death, fire, or electric shock.

7. Plug into an earthed socket outlet.
8. To test and to clean your washer, measure 1/2 the detergent manufacturer's recommended amount for a medium-size load. Pour the detergent into the detergent dispenser. Select any cycle and allow the washer to complete one whole cycle.

CONTROL SET-UP INSTRUCTIONS



1. Door must be closed before cycle selection is made.
2. Press fabric setting key pad for the wash cycle desired. After the cycle is started, the time will display and count down.

General Information

Scrolling 'out of order' showing in display, followed by a failure code

This condition indicates the washer is inoperative.

"0 Minutes" showing in display

This condition indicates the washer cannot be operated. If a door switch fails, it must be replaced before normal operation can be restored.

Cold Start (initial first use)

Washer is programmed at the factory as follows:

- 11-minute wash period
- 3 rinses (extra rinse not enabled)

Warm Start (after power failure)

A few seconds after power is restored, if a cycle was in progress at the time of the power failure, "RESELECT CYCLE" will flash in the display, indicating the need for a key press to restart washer.

Control Set-up Procedures

IMPORTANT: Read all instructions before operating.

Set-up procedures can be entered by using the Service Access Code (see "Service Access Code" section).

The washer is now in the set-up mode. The lower fabric setting key pads and the digital display are used to set up the controls. The display can contain 4 numbers and/or letters and a decimal point. These are used to indicate the set-up codes and related code values available for use in programming the washer.

How to use the key pads to program controls

1. The PERM PRESS key pad is used to adjust the values associated with set-up codes. Pressing this key pad will change the value by increments. Rapid adjustment is possible by holding the key pad down.
2. The DELICATES/KNITS key pad advances you through the set-up codes. Pressing this key pad will advance you to the next available set-up code. Holding the key pad down will automatically advance through the set-up codes at a rate of 1 per second.
3. The QUICK CYCLE key pad is used to select or deselect options.

Start Operating Set-up

Before proceeding, it is worth noting that, despite all of the options available, an owner can simply choose to un-crate a new semi-pro washer, hook it up, plug it in, and have a washer that operates. Washers are preset at the factory for a 11-minute wash period and 3 rinses (no extra rinse).

Set-up Codes

- The DELICATES/KNITS key pad will advance you from code to code.
- The PERM PRESS key pad will change the code value.
- The QUICK CYCLE key pad will select or deselect options.

The set-up code is indicated by the one or two left-hand characters. The set-up code value is indicated by the two or three right-hand characters.

CODE	EXPLANATION
711	WASH LENGTH
711	This is the number of minutes for WASH. Washer comes from the factory preset with 11 minutes. Choose from 9–17 minutes by pressing the PERM PRESS key pad. <ul style="list-style-type: none"> • Press the DELICATES/KNITS key pad once to advance to next code. <p>NOTE: This option does not apply to the Quick Cycle.</p>
8 00	ADDITIONAL RINSE OPTION This option is either SELECTED “ON” or NOT SELECTED “OFF.”
8 00	Not Selected “OFF.”
8 Ar	Selected “ON.” Cannot be combined with the Super Cycle rinse option. Press the QUICK CYCLE key pad once for this selection. <ul style="list-style-type: none"> • Press the DELICATES/KNITS key pad once to advance to next code.
9 00	CYCLE COUNTER OPTION This option is either SELECTED “ON” or NOT SELECTED “OFF.”
9 00	Not Selected “OFF.”
9 0C	Selected “ON” and not able to be deselected. Press the QUICK CYCLE key pad 3 consecutive times to select “ON.” Once selected “ON” it cannot be deselected. <ul style="list-style-type: none"> • Press the DELICATES/KNITS key pad once to advance to next code.
CODE	EXPLANATION
5. 00	TIME-OF-DAY CLOCK, MINUTES
5. 00	This is the TIME-OF-DAY CLOCK, minute setting; select 0–59 minutes by pressing the PERM PRESS key pad. <ul style="list-style-type: none"> • Press the DELICATES/KNITS key pad once to advance to next code.
6. 00	TIME-OF-DAY CLOCK, HOURS NOTE: Uses the 24 hr. clock.
6. 00	This is the TIME-OF-DAY CLOCK, hour setting; select 0–23 hours by pressing the PERM PRESS key pad. <ul style="list-style-type: none"> • Press the DELICATES/KNITS key pad once to advance to next code.

CODE	EXPLANATION
r. 800	TOP SPIN SPEED RPM
r. 800	This can be selected from the following spin speeds: 600 rpm, 750 rpm, 800 rpm, 1000 (displays as 999) rpm. Step between speeds by pressing the PERM PRESS key pad. Factory pre-set for 800 rpm. <ul style="list-style-type: none"> • Press the DELICATES/KNITS key pad once to advance to next code.
A1. 00	PREWASH LENGTH
A1. 00	This is the number of minutes of PREWASH. Choose 0 to disable the prewash or select between 2 and 7 minutes by pressing the PERM PRESS key pad. <ul style="list-style-type: none"> • Press the DELICATES/KNITS key pad once to advance to next code.
A2. 03	FINAL SPIN LENGTH
A2. 03	This is the number of minutes of final high-speed spin. Choose from 3–8 minutes by pressing the PERM PRESS key pad. <ul style="list-style-type: none"> • Press the DELICATES/KNITS key pad once to advance to next code.

If cycle counter (9 0C) is selected, the following is true:

1 00 Number of cycles 1 02 = 200
 in HUNDREDS.

2 00 Number of cycles 2 25 = 25
 in ONES.

TOTAL CYCLES = 225 cycles

This is “VIEW ONLY” and cannot be cleared.

- Press the DELICATES/KNITS button once to advance to next code.

EXIT FROM SET-UP MODE

Remove power, open console, reinsert plug into AA1, close console, and apply power.

Washer Diagnostic Mode

To enter the “Washer Diagnostic Mode,” first enter “Start Operating Set-up.” Then press and hold the QUICK CYCLE key pad for 1 second while in set-up code 6, anytime a diagnostic code is present.

On entry to diagnostic mode the entire display will flash, a cycle in process is canceled, money in escrow is cleared, and diagnostic codes are cleared. If a diagnostic code persists, it must be corrected before the following cycle options are permitted.

There are five possible ways to initiate cycle activity from diagnostic mode as follows:

1. Washer Cleanout cycle – With the entire display flashing, this cycle is started by pressing the BRIGHTS key pad.

Use the Washer Cleanout cycle once a month to keep the inside of your washer fresh and clean. This cycle uses a higher water level. Use with liquid chlorine bleach to thoroughly clean the inside of the washer. This cycle should not be interrupted.

IMPORTANT: Do not place garments or other items in the washer during the Washer Cleanout cycle. Use this cycle with an empty wash drum.

2. Manual Overview Test – With the entire display flashing, this cycle is started by pressing the WHITES key pad. This cycle provides more typical full length fills, tumbles, drains, and actuator dispenser movement, allowing for a more thorough analysis of the washer operation, including pressure switch behavior.
3. Quick Spin Cycle – With the entire display flashing, this cycle is started by pressing the COLORS key pad. This cycle provides a method to quickly drain and spin (remove water from the washer) if desired.
4. Quick Overview Test – With the entire display flashing, this cycle is started by pressing the DELICATES/KNITS key pad. This cycle provides a quick verification that the cold and hot water valves, dispensers, and pump motor are working, as well as actuator dispenser movement. It also includes door lock, drain, and spin operations.

Pressing the QUICK CYCLE key pad will exit diagnostic mode and cancel a diagnostic cycle in process.

DIAGNOSTIC CODES

If one of the following has occurred, the appropriate diagnostic code will be in the display.

d9	Low voltage detected for 8 seconds.
F20	Slow Fill. The washer will not detect water input for 4 min. Pressure switch failure or no water inlet. This code is reported as d8 on d7.
F22	The door is not able to lock. Door lock error or someone trying to start the washer, by pressing the door switch with their finger.

(For any other display consult service personnel.)

SERVICE ACCESS CODE

This code can be entered to access service mode without removing the console. If the washer is not in failure mode, the door must be opened to proceed. Service Access Code contains 6 steps and some are timed. Using only the three bottom buttons (numbered 1, 2, and 3 from left to right):

1. Press 2 for longer than 2 seconds but less than 10 seconds.

2. Press 1 & 3 together for 2 seconds, then release. Displays S 3.
3. Press 1 & 2 together, then release. Displays S 4.
4. Press 2 & 3 together, then release. Displays S 5.
5. Press 2, then release. Display shows "codE".
6. Wait at least 2 seconds, but not more than 15 seconds, then press in succession: 3, 2, 1, 3.

NOTE: If the Service Access Code procedure is not completed properly, as noted above, there is a 15-second delay before it can be attempted again.

When the Service Access Code is used, there are 3 options to exit.

1. From Set-up Code 8, press key #1 for 4 seconds.
2. Wait 2 minutes without touching any keypads (without diagnostic modes running).
3. Power down the washer, then reapply power.

WASHER HELP MODE

This mode is entered by pressing the PERM PRESS key pad while in Set-up option code 2.XX.

In help mode, other display symbols and elements are mapped to reflect the state of various inputs and outputs as follows:

Display Symbol	Description
Wash	Water sensed at wash level.
*	Low voltage present (below about 90 VAC).
° (Circle above digit)	Door closed.
DOOR LOCKED	Door sensed locked.
COLD	Cold water relay on.
HOT	Hot water relay on.
OR	Door unlock.
AVAILABLE	Drain pump ON.

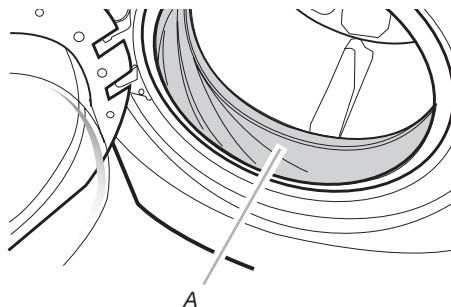
NOTE: A technical sheet is supplied taped to inside of lower front panel, which includes fault codes and a machine schematic diagram.

WASHER CARE

Cleaning Your Washer

Cleaning the Door Seal/Bellow

1. Open the washer door and remove any clothing or items from the washer.
2. Inspect the colored seal/bellow between the door opening and the drum for stained areas. Pull back the seal/bellow to inspect all areas under the seal/bellow and to check for foreign objects.



A. Seal/Bellow

3. If stained areas are found, wipe down these areas of the seal/bellow, using the procedure that follows:
 - a) Mix a dilute solution, using 177 mL (3/4 cup) of liquid chlorine bleach, and 3.8 L (1 gal.) of warm tap water.
 - b) Wipe the seal/bellow area with the dilute solution, using a damp cloth.
 - c) Let stand 5 minutes.
 - d) Wipe down area thoroughly with a dry cloth and let the washer interior air dry with door open.

IMPORTANT:

- Wear rubber gloves when cleaning for prolonged periods.
- Refer to the bleach manufacturer's instructions for proper use.

Washer Maintenance Procedure

This washer has a special cycle that uses higher water volumes in combination with liquid chlorine bleach to thoroughly clean the inside of the washer.

NOTES:

- Read these instructions completely before beginning the cleaning process.

- If necessary, the cleaning cycle may be interrupted by pressing the QUICK CYCLE button twice. However, this will not immediately stop the cycle. The washer will continue with several rinse and drain steps to ensure that all remaining bleach is rinsed from the washer.

Begin procedure

1. Open the washer door and remove any clothing or items from the washer.

2. Use liquid chlorine bleach:

Open the dispenser drawer and immediately add 160 mL (2/3 cup) of liquid chlorine bleach to the bleach compartment.

NOTE: Do not add any detergent to this cycle. Use of more than 160 mL (2/3 cup) of bleach will cause product damage over time.

3. Close the washer door and the dispenser drawer.

4. To start the Clean Washer cycle, first enter “Start Operating Set-up.” Then press and hold QUICK CYCLE for 1 second. With the entire display flashing, press BRIGHTS.

NOTE: The drum will rotate, then the door will unlock, lock again, and then the cycle will continue.

- The washer will not fill, but the drum will rotate while the washer runs a short sensing cycle. This will take approximately 3 minutes.

5. The cycle will determine whether clothing or other items are in the washer.

- If no items are detected in the washer, it will proceed to Step 7.
- If any items are detected in the washer, “rL” or “F-34” will be displayed. Then the door will unlock.
 - Press QUICK CYCLE to cancel the failure code. Then repeat steps 1, 3, and 4 to start the cycle again.

6. Once the cycle has begun, allow the cycle to complete.

7. After the cycle is complete, leave the door open slightly, to allow for better ventilation and drying of washer interior.

Always do the following to maintain washer freshness:

- Use only detergent for automatic washer.
- Leave the door slightly open after each cycle to allow for better ventilation and drying of washer interior.
- Clean the washer monthly using the “Washer Maintenance Procedure,” 160 mL (2/3 cup) of liquid chlorine bleach.
- If the procedure does not sufficiently improve the washer freshness, please evaluate your installation and usage conditions for other causes.

Cleaning the exterior

Use a soft damp cloth or sponge to wipe up any spills. Occasionally wipe the outside of your washer to keep it looking new. Use mild soap and water. Do not use abrasive products.

Cleaning the dispenser drawer

The dispenser drawer is removable for easy cleaning.

- Unlock the dispenser drawer by pressing the Release Lever. Remove the drawer.
- Remove the inserts (the siphon from the softener and bleach compartments).
- Wash the parts under running water.

NOTE: Do not wash components in the dishwasher.
- Replace the inserts and return the dispenser to the drawer.

Water Inlet Hoses

Replace inlet hoses after 5 years of use to reduce the risk of hose failure. Periodically inspect and replace inlet hoses if bulges, kinks, cuts, wear, or leaks are found.

When replacing your inlet hoses, record the date of replacement.

ASSISTANCE OR SERVICE

Before calling for assistance or service, please check “Troubleshooting.” It may save you the cost of a service call. If you still need help, contact the dealer from whom you purchased the appliance, or a Whirlpool designated service company.

When calling, please know the purchase date and the complete model and serial number of your appliance. This information will help us to better respond to your request.

Accessories

Enhance your washer with these premium accessories. For more high-quality items or to order, contact your authorized Whirlpool distributor.

Part Number	Accessory
8212526	Washer drip tray, fits under all
31682	All-purpose appliance cleaner
1903WH	Laundry supply storage cart

Whirlpool Corporation, Benton Harbor, Michigan 49022, USA.

Manufacturer site: Whirlpool Mexico S.A. de C.V., Antigua Carretera a Roma Km 9, Col. El Milagro, Apodaca, Nuevo León, C.P. 66634, Mexico.

EU representative: Whirlpool UK Ltd, Croydon, CR9 4RY, UK
Bauknecht Hausgeräte GmbH, D-73614 Schorndorf



EU - DECLARATION OF CONFORMITY *CE - DECLARATION DE CONFORMITE*

WE (*nous*): BAUKNECHT HAUSGERÄTE GmbH, D-73614 Schorndorf
representing (*représentant*): WHIRLPOOL EUROPE S.r.l I-21025 COMERIO

declare under our sole responsibility that the product
déclarons sous notre propre responsabilité que le produit

washing machines (<i>machine à laver le linge</i>):	Whirlpool	3LCHW9100YQ
	Maytag	MHN30PN
	Maytag	MHN30PD

to which this declaration relates is in conformity with the following standard(s) or other normative document(s)
auquel se réfère cette déclaration est conforme aux normes suivantes ou autres documents normatifs

EN 60335-1:2002+A1+A2+A11+A12+A13+A14+A15
EN 60335-2-7:2010
EN 62233:2008
EN 61770:1999+A1:2004+A2:2006
EN ISO 10472-1:2008
EN ISO 10472-2:2008
EN ISO 12100-1:2010
EN 55014-1:2006+A1:2009
EN 55014-2:1997+A1:2001+A2:2008
EN 61000-3-2:2006+A1:2009+A2:2009
EN 61000-3-3:2008

following the provisions of Directive(s):
suiwant les prévisions des Directives:

2006/42/EC MACHINERY DIRECTIVE
2004/108/EC ELECTROMAGNETIC COMPATIBILITY DIRECTIVE
2011/65/EU ROHS DIRECTIVE
2002/96/EC WEEE DIRECTIVE

Schorndorf, 01.06.2012
Place and date:
lieu et date

represented by
Micael Zirondi
Director PDC FC EMEA
Karl-Dieter Klingenstein
Product Approval
GPO, Schorndorf

SECURITE DU LAVE-LINGE

Votre sécurité et celle des autres est très importante.

Nous donnons de nombreux messages de sécurité importants dans ce manuel et sur votre appareil ménager. Assurez-vous de toujours lire tous les messages de sécurité et de vous y conformer.



Voici le symbole d'alerte de sécurité.

Ce symbole d'alerte de sécurité vous signale les dangers potentiels de décès et de blessures graves à vous et à d'autres.

Tous les messages de sécurité suivront le symbole d'alerte de sécurité et le mot "DANGER" ou "AVERTISSEMENT". Ces mots signifient :

 **DANGER**

Risque possible de décès ou de blessure grave si vous ne suivez pas immédiatement les instructions.

 **AVERTISSEMENT**

Risque possible de décès ou de blessure grave si vous ne suivez pas les instructions.

Tous les messages de sécurité vous diront quel est le danger potentiel et vous disent comment réduire le risque de blessure et ce qui peut se produire en cas de non-respect des instructions.

IMPORTANTES INSTRUCTIONS DE SÉCURITÉ

AVERTISSEMENT : Pour réduire les risques d'incendie, de choc électrique ou de blessures lors de l'utilisation de la laveuse, suivre les précautions fondamentales dont les suivantes :

- Dans certaines conditions, de l'hydrogène gazeux peut se former dans un circuit d'eau chaude qui n'a pas été utilisé pendant 2 semaines ou plus. **LE GAZ HYDROGÈNE EST EXPLOSIBLE.** Si le circuit d'eau chaude n'a pas été utilisé pendant une telle période, avant d'utiliser la laveuse, ouvrir tous les robinets d'eau chaude et laisser l'eau s'écouler pendant plusieurs minutes par chaque robinet. Ceci permettra l'évacuation de l'hydrogène gazeux accumulé. Comme ce gaz est inflammable, ne pas fumer ou utiliser une flamme nue au cours de cette période.
- Avant de mettre la laveuse au rebut ou hors de service, enlever la porte ou le couvercle.
- Ne pas installer ou remiser cette laveuse à un endroit où elle serait exposée aux intempéries.
- Ne pas réparer ou remplacer un composant quelconque de la laveuse, ni entreprendre une opération de service, si ce n'est spécifiquement recommandé dans ce manuel ou dans un manuel d'instructions de réparations destiné à l'utilisateur; il est alors essentiel que la personne concernée comprenne ces instructions et soit compétente pour les exécuter.
- Voir "Spécifications électriques" pour les instructions de liaison à la terre.

CONSERVEZ CES INSTRUCTIONS

MISE AU REBUT DU LAVE-LINGE



Le marquage de l'appareil est conforme à la directive européenne 2002/ 96/ EC sur les équipements électroniques et électriques, pour gestion des déchets.

En veillant à l'élimination correcte de ce produit, vous éviterez d'éventuelles conséquences néfastes pour l'environnement et la santé humaine qui peuvent être associées au traitement inapproprié de ce produit lorsqu'il a été mis au rebut.

Le symbole figurant sur le produit ou dans les documents qui accompagnent le produit indique que cet appareil ne doit pas être traité comme déchet ménager; on doit plutôt le remettre à un centre de collecte spécialisé pour le recyclage des équipements électriques et électroniques.

L'élimination de ce produit après mise au rebut doit être effectuée conformément aux prescriptions de la réglementation locale de protection de l'environnement.

Pour l'information détaillée concernant le traitement, le recyclage et la récupération de ce produit, contacter la municipalité locale, le service d'élimination des déchets ménagers, ou le commerçant qui a vendu le produit.

Nomenclature du modèle

3L – Code prise secteur tension 230 V/50 Hz
 CHW – Lave-linge commercial horizontal
 91 – Numéro du type de modèle

EXIGENCES D'INSTALLATION

Outillage et pièces

Rassembler les outils et pièces nécessaires avant de commencer l'installation. Les pièces fournies se trouvent dans le tambour du lave-linge.

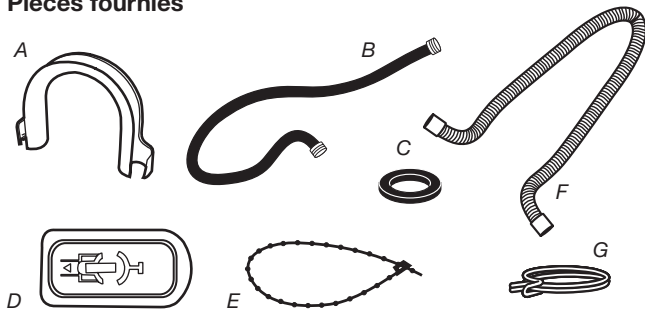
Outils nécessaires au raccordement des tuyaux d'arrivée d'eau :

- Pince (ouverture jusqu'à 39,5 mm [1⁹/₁₆"])
- Lampe de poche (facultative)

Outils nécessaires à l'installation

- Clés plates de 1/2" et 9/16"
- Tournevis de sécurité Torx®† T-20
- Tourne-écrou de 1/4"
- Niveau
- Cale en bois
- Règle ou mètre ruban

Pièces fournies



- A. Bride de retenue pour tuyau de vidange (en forme de U)
 B. Tuyaux d'arrivée d'eau (2)
 C. Rondelles pour tuyau d'arrivée d'eau (4)
 D. Bouchons d'obturation des boulons de transport (4)
 E. Courroie perlée
 F. Tuyau de vidange
 G. Bride de tuyau

Autres pièces

Il se peut que l'installation nécessite des pièces supplémentaires. Pour acheter l'un des articles indiqués ici, contacter votre concessionnaire Whirlpool agréé.

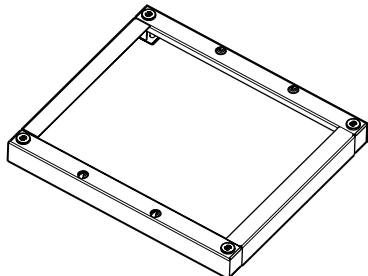
Si vous avez	Vous devrez acheter
Evier de buanderie ou tuyau rigide de rejet à l'égout plus haut que 2,4 m (96")	Système de pompe de puisard (si non déjà disponible)
Egout surélevé	Evier de vidange standard de 76 L (20 gal.) de 762 mm (30") de hauteur ou évier utilitaire et pompe de puisard (disponibles chez votre fournisseur local d'articles de plomberie)
Egout au plancher	Brise-siphon, pièce n° 285320; tuyau de vidange additionnel, pièce n° 8318155; et ensemble de système de vidange au plancher, pièce n° 280129
Tuyau de vidange trop court	Trousse de rallonge du tuyau de vidange de 1,2 m (4 pi), pièce n° 285834

†® TORX est une marque déposée de Saturn Fasteners, Inc.

Options

Piédestal

Vous avez la possibilité d'acheter des piédestaux séparément pour ce lave-linge. Le piédestal augmentera la taille totale du lave-linge.



Piédestal facultatif

Hauteur du piédestal	Hauteur approximative avec lave-linge	Couleur	Pièce numéro
(73 mm) 2 ⁷ / ₈ "	(1207 mm) 47,5"	Blanc	WHP0400VW

Exigences d'emplacement

Le choix d'un emplacement approprié pour le lave-linge en améliore le rendement et réduit au minimum le bruit et le "déplacement" possible du lave-linge.

Le lave-linge peut être installé sous un comptoir personnalisé, ou dans un sous-sol, une salle de buanderie ou un encastrement. Voir "Système de vidange".

Il faut aussi prendre en compte les exigences d'emplacement des appareils voisins. C'est à l'utilisateur qu'incombe la responsabilité de réaliser une installation correcte.

Il vous faudra

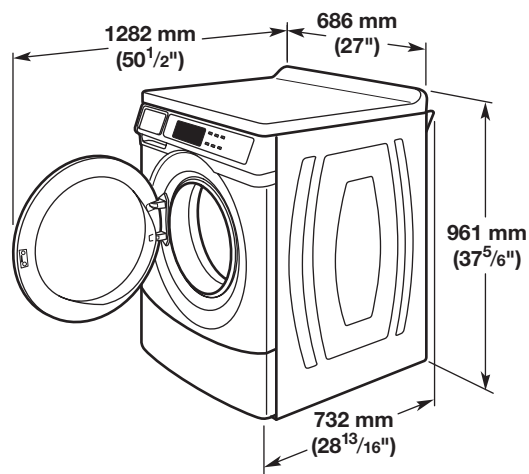
- Un chauffe-eau configuré pour fournir de l'eau à 60°C (140°F) au lave-linge.
- Une prise électrique reliée à la terre située à 1,8 m (6 pi) maximum du cordon d'alimentation électrique fixé à l'arrière du lave-linge. Voir "Spécifications électriques".
- Des robinets d'eau chaude et d'eau froide situés à 1,2 m (4 pi) maximum des robinets d'admission d'eau chaude et d'eau froide et une pression d'eau de 137,9–689,6 kPa (20–100 lb/po²).
- Un plancher de niveau ayant une pente maximale de 25 mm (1") sous l'ensemble du lave-linge. L'installation du lave-linge sur des surfaces de sol souples, telles que tapis ou surfaces avec sous-couche en mousse n'est pas recommandée.
- Un plancher robuste et solide capable de soutenir le poids total du lave-linge (eau et charge) de 180 kg (400 lb).

Ne pas faire fonctionner le lave-linge à des températures inférieures à 0°C (32°F). Une certaine quantité d'eau peut demeurer dans le lave-linge et causer des dommages à des températures basses.

Dégagements de séparation à respecter

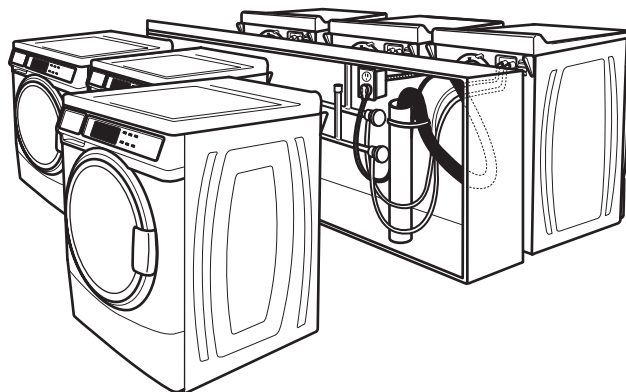
- L'emplacement doit être assez grand pour permettre d'ouvrir complètement la porte du lave-linge.
- Prévoir davantage d'espace pour faciliter l'installation et l'entretien. La porte s'ouvre à plus de 90° et n'est pas réversible.
- Un espace supplémentaire peut être requis pour les moulures de porte et de plancher et pour les plinthes.
- Un espace supplémentaire de 25 mm (1") de tous les côtés du lave-linge est recommandé pour réduire le transfert du bruit.
- Il faut aussi prendre en compte l'espace requis entre les appareils voisins.
- Le débranchement de la prise d'alimentation secteur fait office de commande d'arrêt d'urgence. Lorsqu'elle est branchée, la prise d'alimentation secteur doit être visible et accessible à l'utilisateur afin que la déconnexion entre le lave-linge et l'alimentation secteur soit possible.

Dimensions du lave-linge



La porte n'est pas réversible.

Un système de vidange au plancher doit être installé sous la cloison. Des cloisons pré-fabriquées avec prises de courant, canalisations d'arrivée d'eau et aménagements pour installation de vidangeage ne doivent être installées que là où les codes locaux l'autorisent.



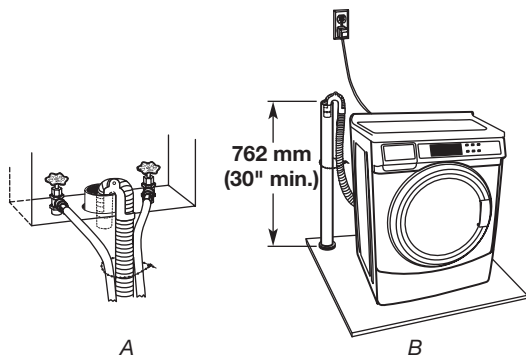
Système de vidange

Le lave-linge peut être installé en utilisant le système de rejet à l'égout (au plancher ou mural), le système de vidange de l'évier de buanderie ou le système de vidange au plancher. Sélectionner la méthode d'installation du tuyau de vidange selon les besoins. Voir "Outillage et pièces".

Système de rejet à l'égout – mural ou au plancher (vues A et B)

Le système de rejet à l'égout nécessite un tuyau rigide d'un diamètre minimum de 50 mm (2"). La capacité minimale d'acheminement ne doit pas être inférieure à 45,5 L (12 gal.) par minute.

Le sommet du tuyau rigide de rejet à l'égout doit être au moins à 762 mm (30") de hauteur et au maximum à 2,4 m (96") de la base du lave-linge.



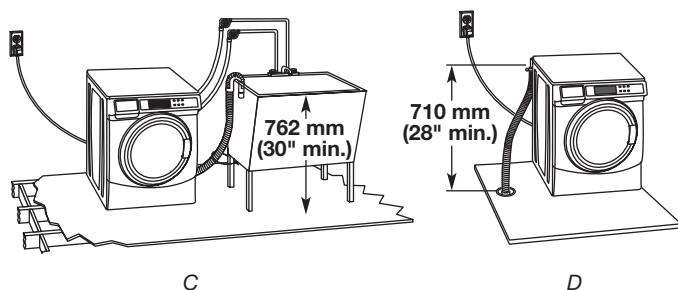
Système de vidange avec évier de buanderie (vue C)

L'évier de buanderie doit avoir une capacité minimale de 76 L (20 gal.). La partie supérieure de l'évier de buanderie doit être à au moins 762 mm (30") au-dessus du plancher.

Système de vidange au plancher (vue D)

Le système de vidange au plancher nécessite un brise-siphon qui peut être acheté séparément. Voir "Outillage et pièces".

Le brise-siphon doit être au moins à 710 mm (28") de la base du lave-linge. Des tuyaux supplémentaires peuvent être requis.



Spécifications électriques

⚠ AVERTISSEMENT



Tension Électrique Dangereuse

⚠ AVERTISSEMENT



Risque de choc électrique

Brancher sur une prise reliée à la terre.

Ne pas utiliser un adaptateur.

Ne pas utiliser un câble de rallonge.

Le non-respect de ces instructions peut causer un décès, un incendie ou un choc électrique.

- Une alimentation électrique de 220–240V, 50 Hz, protégée par un fusible est requise. On recommande d'utiliser un fusible temporisé de 10 à 16 A ou un disjoncteur temporisé.
- Ce lave-linge comporte un cordon d'alimentation électrique pour liaison à la terre.
- Pour minimiser les risques de choc électrique, on doit brancher le cordon sur une prise de courant de configuration correspondante reliée à la terre et installée conformément aux codes et règlements locaux. Si une prise de courant de configuration correspondante n'est pas disponible, le client a la responsabilité et l'obligation de faire installer par un électricien qualifié une prise de courant correctement reliée à la terre.
- Si les codes le permettent et si on utilise un conducteur distinct de liaison à la terre, il est recommandé qu'un électricien qualifié vérifie la qualité de la liaison à la terre.
- Si le cordon d'alimentation est endommagé, il doit être remplacé par le fabricant, son agent de service ou toute autre personne qualifiée afin d'éviter tout danger.
- Ne pas utiliser une tuyauterie de gaz pour le raccordement à la terre.
- En cas de doute quant à la qualité de la liaison à la terre du lave-linge, consulter un électricien qualifié.

- Ne pas installer un fusible dans le conducteur neutre ou le conducteur de liaison à la terre.

INSTRUCTIONS DE LIAISON A LA TERRE

Ce lave-linge doit être relié à la terre. En cas d'anomalie de fonctionnement ou de panne, la liaison à la terre réduira le risque de choc électrique en offrant au courant électrique un itinéraire d'évacuation de moindre résistance. Ce lave-linge est alimenté par un cordon électrique comportant un conducteur relié à la terre et une fiche de branchement munie d'une broche de liaison à la terre. La fiche doit être branchée sur une prise de courant appropriée qui est bien installée et reliée à la terre conformément à tous les codes et règlements locaux.

AVERTISSEMENT : Le raccordement incorrect de cet appareil au conducteur de liaison à la terre peut susciter un risque de choc électrique. En cas de doute quant à la qualité de la liaison à la terre de l'appareil, consulter un électricien ou technicien d'entretien qualifié.

Ne pas modifier la fiche de branchement fournie avec l'appareil – si la fiche ne correspond pas à la configuration de la prise de courant, demander à un électricien qualifié d'installer une prise de courant convenable.

REMARQUE : Normes de sécurité électriques : Pour ce produit, le fabricant a estimé que la mise en conformité aux normes IEC/EN.60335 était la plus appropriée.

- Niveau d'émission sonore, Lpa : 58 dbA (uncertainty, Kpa: +/-3.6 dbA)

INSTRUCTIONS D'INSTALLATION

Dépose du système de transport

AVERTISSEMENT

Risque de poids excessif

Utiliser deux personnes ou plus pour déplacer et installer le lave-linge.

Le non-respect de cette instruction peut causer une blessure au dos ou d'autres types de blessure.

Poids max. avec emballage :
111 kg (244,71 lb)

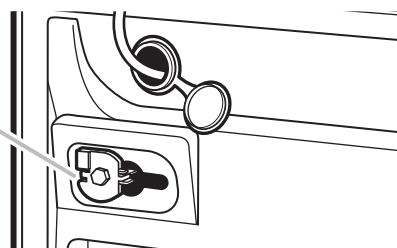
Poids max. sans emballage :
107 kg (235,89 lb)

IMPORTANT : Positionner le lave-linge de sorte que l'arrière du lave-linge soit à environ 900 mm (3 pi) de son emplacement final.

On trouve sur le panneau arrière du lave-linge 4 boulons d'expédition qui soutiennent le système de suspension durant le transport. Ces boulons retiennent aussi le cordon d'alimentation électrique à l'intérieur du lave-linge jusqu'à ce que les boulons soient retirés.

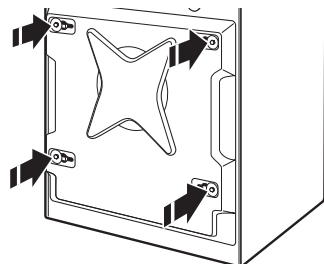
1. Laisser le lave-linge en position verticale pendant que l'on ôte les boulons d'expédition.

Boulon d'expédition

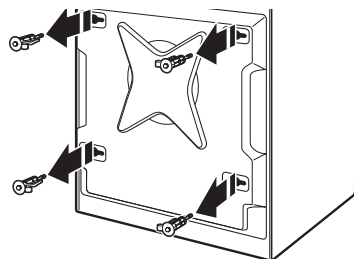


Boulon d'expédition avec cale d'espacement en plastique

2. Au moyen d'une clé de 1/2", desserrer chacun des boulons.



3. Une fois le boulon desserré, le déplacer au centre du trou et retirer complètement le boulon, y compris la cale d'espacement en plastique couvrant le boulon.



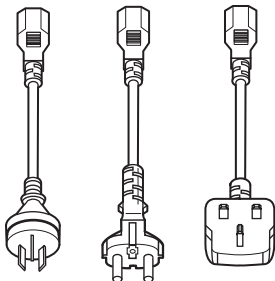
4. Une fois que les 4 boulons ont été retirés, jeter les boulons et les cales d'espacement. Puis pousser la fiche du cordon d'alimentation électrique à travers l'ouverture sur le côté droit du panneau arrière, tirer le cordon d'alimentation électrique à travers l'ouverture sur le côté gauche du panneau arrière et obturer les trous avec le bouchon fourni. Ne pas tirer l'extrémité du cordon d'alimentation à travers le trou de droit.

5. Obturer les trous des boulons avec les 4 bouchons pour les trous des boulons de transport.

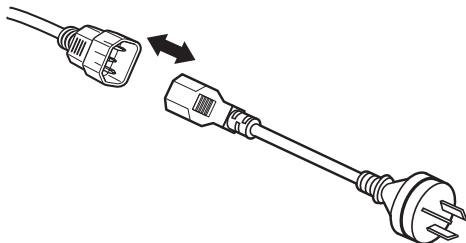
REMARQUE : Si le lave-linge doit être transporté à une date ultérieure, appeler le distributeur ou l'installateur du produit. Pour éviter des dommages concernant la suspension et la structure, votre lave-linge doit être correctement monté pour réinstallation ultérieure par un technicien certifié.

Installation du cordon d'alimentation

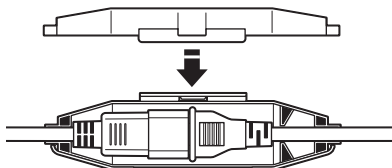
1. Sélectionner la prise qui correspond à la prise électrique murale.



2. Fixer la prise à l'extrémité du cordon d'alimentation.



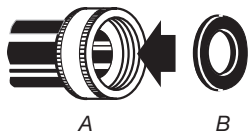
3. Fixer le cordon d'alimentation en immobilisant le raccord sur le dispositif de blocage du cordon.



4. Installer le couvercle du dispositif de blocage du cordon et appuyer jusqu'à ce qu'il s'emboîte.
5. S'assurer que le raccord du cordon d'alimentation est immobilisé sur le dispositif de blocage du cordon et que le serrage du dispositif de blocage est correct.

Raccordement des tuyaux d'arrivée d'eau

Le raccordement à l'alimentation en eau doit être conforme aux règlements locaux et nationaux. Insérer les rondelles plates neuves (fournies) dans chaque extrémité des tuyaux d'arrivée d'eau. Insérer fermement les rondelles dans les raccords.



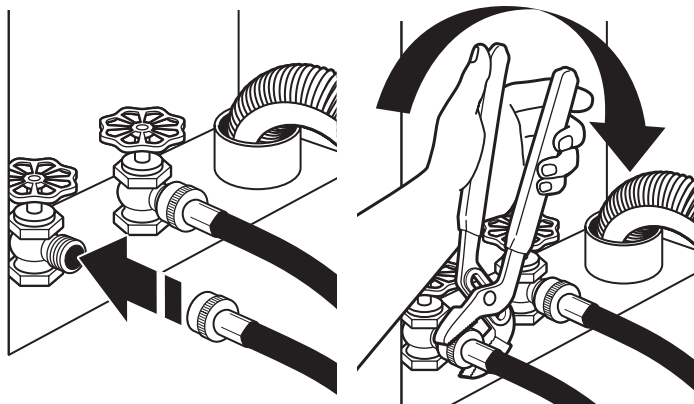
A. Raccord
B. Rondelle

- Utiliser les nouveaux tuyaux d'arrivée d'eau fournis avec le lave-linge. Ne pas réutiliser de tuyaux d'arrivée d'eau usagés.

Connecter les tuyaux d'arrivée d'eau aux robinets d'eau

S'assurer que le tambour du lave-linge est vide.

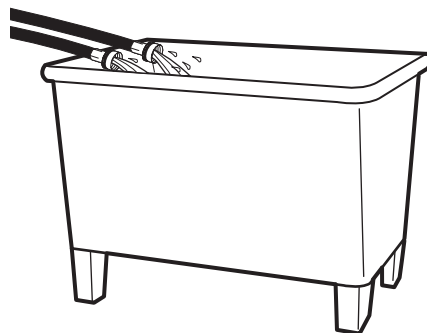
1. Fixer un tuyau au robinet d'eau chaude. Visser complètement le raccord à la main pour qu'il comprime le joint.
2. Fixer un tuyau au robinet d'eau froide. Visser complètement le raccord à la main pour qu'il comprime le joint.
3. A l'aide d'une pince, serrer les raccords en effectuant deux tiers de tour supplémentaires.



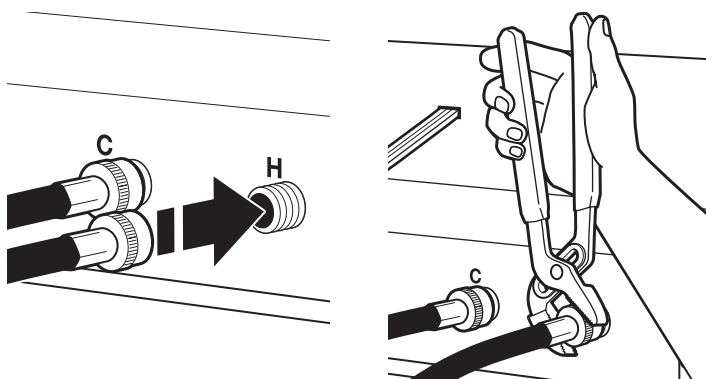
REMARQUE : Ne pas serrer excessivement ou utiliser du ruban adhésif ou un calfeutrant sur le robinet. Les tuyaux d'arrivée d'eau risquent d'être endommagés.

Purger les canalisations d'eau

- Laisser s'écouler l'eau des deux robinets et des tuyaux d'arrivée d'eau dans un évier de buanderie, un tuyau rigide de rejet à l'égout ou un seau, pour éliminer les particules se trouvant dans les canalisations d'eau qui pourraient obstruer les tamis de la valve d'arrivée d'eau.
- Vérifier la température de l'eau pour s'assurer que le tuyau d'eau chaude est connecté au robinet d'eau chaude et que le tuyau d'eau froide est connecté au robinet d'eau froide.



Connecter les tuyaux d'arrivée d'eau au lave-linge



C. Tuyau d'arrivée d'eau froide
H. Tuyau d'arrivée d'eau chaude

1. Fixer le tuyau d'eau chaude à la valve du tuyau d'arrivée d'eau chaude (H) du lave-linge. Visser complètement le raccord à la main pour qu'il comprime le joint.

2. Fixer le tuyau d'eau froide au robinet d'eau froide (C) du lave-linge. Visser complètement le raccord à la main pour qu'il comprime le joint.

3. À l'aide d'une pince, serrer les raccords en effectuant deux tiers de tour supplémentaires.

REMARQUE : Ne pas serrer excessivement. Le raccord risque d'être endommagé.

4. Ouvrir les robinets d'eau complètement et vérifier s'il y a des fuites.



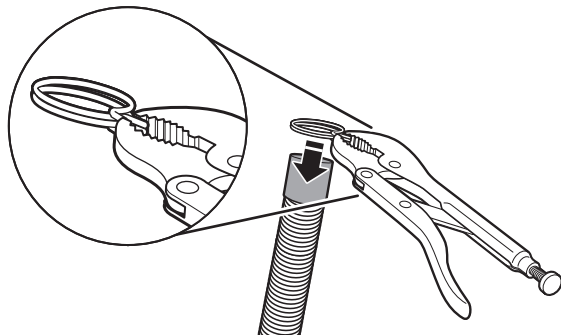
REMARQUE : Remplacer les tuyaux d'arrivée d'eau après 5 ans d'utilisation pour réduire le risque de défaillance. Prendre note de la date d'installation ou de remplacement des tuyaux, pour référence ultérieure.

Inspecter périodiquement les tuyaux; les remplacer en cas de renflement, de déformation, de coupure, d'usure ou si une fuite se manifeste.

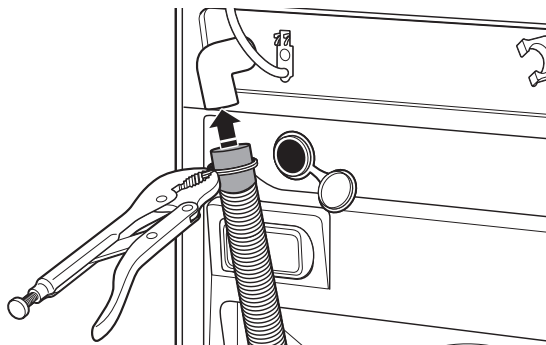
Raccordement du tuyau de vidange

Libération du tuyau de vidange fixé sur le tambour du lave-linge

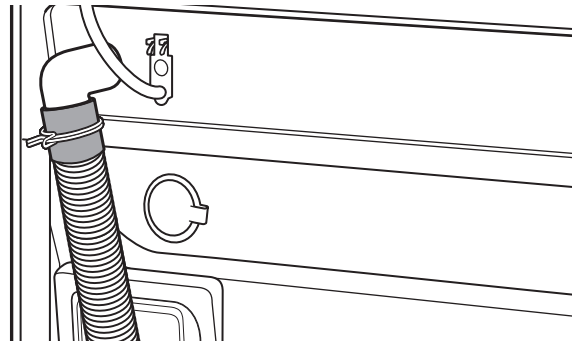
1. À l'aide d'une pince multiprise, serrer les deux onglets de la bride de tuyau et insérer la bride sur l'extrémité du tuyau de vidange.



2. Faire glisser le tuyau de vidange sur le raccord du lave-linge.



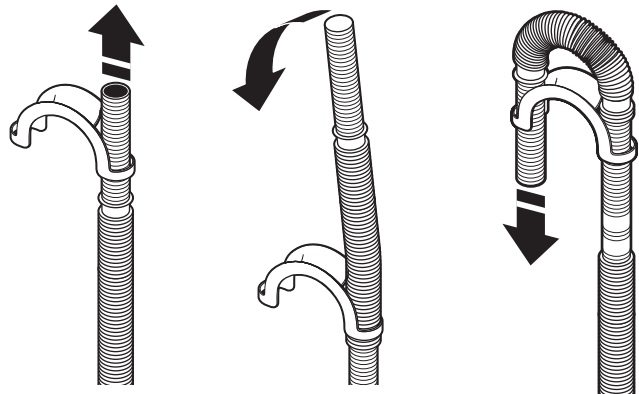
3. Une fois le tuyau de vidange en place, relâcher la prise de la pince.



Le système de vidange du lave-linge peut être installé à l'aide d'un conduit d'évacuation au plancher, un tuyau de rejet à l'égout rigide au mur ou au plancher ou un évier de buanderie.

Décharge de l'eau de lavage dans un évier de buanderie ou tuyau de rejet à l'égout

Connecter la bride de retenue pour tuyau de vidange sur le tuyau de vidange ondulé.



Pour empêcher l'eau de vidange de refluer dans le lave-linge :

- Utiliser la bride de retenue et ne pas forcer l'excédent de tuyau dans le tuyau de rejet à l'égout. Le tuyau doit être bien immobilisé, tout en permettant le passage d'air.
- Ne pas mettre l'excédent du tuyau de vidange dans l'évier de buanderie.

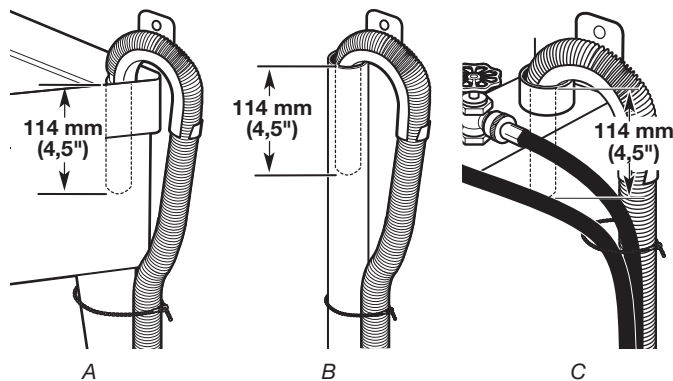
Égout au plancher

Il vous faudra peut-être des pièces supplémentaires. Voir Égout au plancher dans "Outillage et pièces".

Immobilisation du tuyau de vidange

Le tuyau de vidange doit être bien installé pour empêcher le tuyau de bouger lorsque l'eau est pompée pour la vidange. Si le tuyau de vidange bouge, de l'eau peut couler sur le plancher.

1. Faire passer le cordon d'alimentation par-dessus le lave-linge.
2. Déplacer le lave-linge à son emplacement final.
3. Placer le tuyau de vidange dans l'évier de buanderie ou le tuyau de rejet à l'égout. Voir les illustrations A et B.



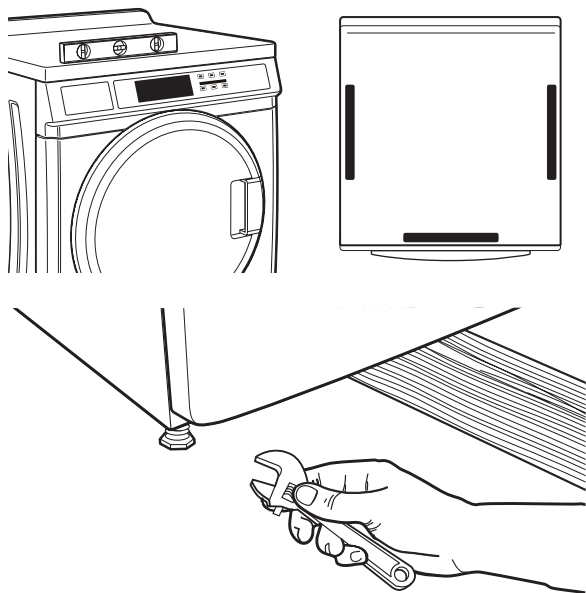
REMARQUES :

- Ne pas forcer l'excédent de tuyau de vidange dans l'arrière du lave-linge.
- Pour éviter un effet de siphon, ne pas assurer l'étanchéité ou introduire plus de 114 mm (4,5") à la jonction entre le tuyau de vidange et le tuyau de rejet à l'égout rigide ou le tuyau d'évacuation.
- Si les robinets d'eau et le tuyau rigide de rejet à l'égout sont placés en retrait, introduire l'extrémité en crochet du tuyau de vidange dans le tuyau rigide de rejet à l'égout, tel qu'indiqué. Voir l'illustration C.

Réglage de l'aplomb du lave-linge

Un bon aplomb du lave-linge évite le bruit et les vibrations excessifs.

1. Placer un niveau sur le bord supérieur du lave-linge pour contrôler l'aplomb, d'abord transversalement, puis dans le sens avant arrière.



Si le lave-linge est placée contre un mur, on doit l'écartier légèrement du mur avant de l'incliner vers l'arrière. Si le lave-linge n'est pas d'aplomb, soulever l'avant du lave-linge avec une cale de bois et ajuster la position des pieds selon le besoin; soulever ensuite l'arrière du lave-linge et ajuster la longueur des pieds selon le besoin. Répéter ces opérations jusqu'à l'obtention d'un aplomb correct du lave-linge.

2. Vérifier que les quatre pieds sont stables et reposent sur le sol. Vérifier ensuite que le lave-linge est parfaitement d'aplomb (utiliser un niveau).
3. Après avoir établi l'aplomb correct du lave-linge, utiliser une clé plate de 9/16" pour serrer fermement l'écrou de chaque pied contre la caisse du lave-linge.
IMPORTANT : Les 4 pieds doivent être bien serrés. Si les écrous ne sont pas bloqués contre la caisse du lave-linge, le lave-linge peut vibrer.
4. Le lave-linge ne doit pas bouger d'avant en arrière, latéralement ou transversalement lorsqu'on appuie sur les bords supérieurs.
5. Faire glisser le lave-linge à son emplacement final.
6. Vérifier le bon aplomb du lave-linge.

Achever l'installation

1. Consulter les spécifications électriques. Vérifier que la tension électrique disponible est correcte et que la prise de courant est convenablement reliée à la terre. Voir "Spécifications électriques".
2. Vérifier que toutes les pièces sont maintenant installées. S'il reste une pièce, passer en revue les différentes étapes pour découvrir laquelle aurait été oubliée.
3. S'assurer d'avoir récupéré tous vos outils.
4. Jeter ou recycler tous les matériaux d'emballage.
5. Vérifier que chaque robinet d'eau est ouvert.
6. Vérifier s'il y a des fuites autour des robinets et des tuyaux d'arrivée d'eau.

⚠ AVERTISSEMENT



Risque de choc électrique

Brancher sur une prise reliée à la terre.

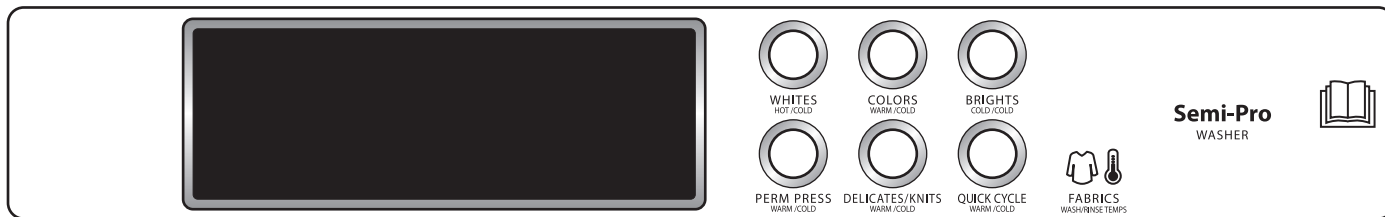
Ne pas utiliser un adaptateur.

Ne pas utiliser un câble de rallonge.

Le non-respect de ces instructions peut causer un décès, un incendie ou un choc électrique.

7. Brancher l'appareil sur une prise reliée à la terre.
8. Pour tester le fonctionnement du lave-linge ou effectuer le nettoyage, mesurer la moitié de la quantité de détergent recommandée par le fabricant pour une charge de taille moyenne. Verser le détergent dans le distributeur de détergent. Sélectionner n'importe quel programme et laisser le lave-linge exécuter un programme complet.

INSTRUCTIONS DE PARAMÉTRAGE DU MODULE DE COMMANDE



1. La porte doit rester fermée avant la sélection du programme.
2. Appuyer sur la touche de réglage du tissu pour le programme de lavage désiré. Après la mise en marche du programme, l'heure s'affichera et le compte à rebours commencera.

Informations générales

Défilement de 'out of order' (hors service) sur l'afficheur, suivi par un code de défaillance

Cette situation indique que le lave-linge n'est pas opérationnel.

Affichage de "0 Minutes"

Ceci indique qu'il n'est pas possible de faire fonctionner le lave-linge. En cas de défaillance du contacteur de porte, on doit le remplacer pour pouvoir rétablir le fonctionnement normal.

Mise en marche à froid (pour la première utilisation)

Le lave-linge a été programmé à l'usine comme suit :

- Période de lavage de 11 minutes
- 3 rinçages (rinçage supplémentaire non activé)

Remise en marche (après une interruption de l'alimentation)

Quelques secondes après le rétablissement de l'alimentation électrique, si un programme était en cours au moment de la panne, "RESELECT CYCLE" (sélectionner à nouveau le programme) clignote sur l'afficheur, pour indiquer qu'il faut appuyer sur une touche pour remettre le lave-linge en marche.

Procédures de réglage des systèmes de commande

IMPORTANT : Lire la totalité des instructions avant l'utilisation.

On peut accéder aux procédures de paramétrage en utilisant le Code d'accès pour entretien (voir la section "Code d'accès pour entretien").

Le lave-linge est maintenant au mode de paramétrage. Pour le réglage des systèmes de commande, on utilise les touches de réglage inférieures (tissu) et l'afficheur numérique. L'afficheur peut présenter 4 chiffres et/ou lettres et un point décimal, qui indiquent les codes de paramétrage et des valeurs connexes disponibles pour la programmation du lave-linge.

Utilisation des touches pour la programmation des systèmes de commande

1. La touche PERM PRESS (pressage permanent) permet la sélection des valeurs associées aux codes de paramétrage. Une pression sur cette touche fait augmenter la valeur par incréments; si on maintient la pression sur cette touche, la valeur affichée augmente rapidement.
2. La touche DELICATES/KNITS (Tissus délicats/tricots) commande la progression parmi les codes de paramétrage. Une pression sur cette touche provoque le passage au code de paramétrage disponible suivant; une pression constante sur cette touche commande le défilement automatique des codes à raison de un code par seconde.
3. La touche QUICK CYCLE (Programme rapide) permet de sélectionner/désélectionner les options.

Mise en marche de paramétrage

Avant de poursuivre, noter que malgré le grand nombre d'options disponibles, le propriétaire du lave-linge peut décider de simplement déballer un nouveau lave-linge semi-pro., le brancher et le raccorder; il sera alors parfaitement opérationnel. Les lave-linge sont pré-réglés à l'usine pour une période de lavage de 11 minutes et pour 3 rinçages (aucun rinçage supplémentaire).

Codes de paramétrage

- La touche DELICATES/KNITS (Tissus délicats/tricots) permet de passer de code en code.
- La touche PERM PRESS (pressage permanent) permet de changer la valeur du code.
- La touche QUICK CYCLE (Programme rapide) permet de sélectionner ou désélectionner les options.

Un ou deux caractères à gauche correspond(ent) au code de paramétrage. La valeur du code est indiquée par les 2 ou 3 caractères de droite.

CODE	EXPLICATION
711	DUREE DU LAVAGE
711	Nombre de minutes de la période de LAVAGE. Le lave-linge est pré-réglé à l'usine pour 11 minutes. Sélectionner une valeur de 9–17 minutes : appuyer sur la touche PERM PRESS (pressage permanent). <ul style="list-style-type: none"> • Appuyer une fois sur la touche DELICATES/KNITS (Tissus délicats/tricots) pour passer au code suivant. REMARQUE : Cette option ne s'applique pas au programme rapide.
8 00	OPTION RINÇAGE SUPPLÉMENTAIRE Cette option peut être SELECTIONNEE ("ON") ou PAS SELECTIONNEE ("OFF").
8 00	Pas sélectionnée ("OFF").
8 Ar	Sélectionnée ("ON"). Ne peut être combiné avec l'option de rinçage Super Programme. Appuyer une fois sur la touche QUICK CYCLE (Programme rapide) pour cette sélection. <ul style="list-style-type: none"> • Appuyer une fois sur la touche DELICATES/KNITS (Tissus délicats/tricots) pour passer au code suivant.
9 00	OPTION DE COMPTAGE DU NOMBRE DE PROGRAMMES Cette option peut être SELECTIONNEE ("ON") ou PAS SÉLECTIONNÉE ("OFF").
9 00	Pas sélectionnée ("OFF").
9 0C	Option sélectionnée et impossibilité de désélection. Appuyer 3 fois consécutives sur la touche QUICK CYCLE (Programme rapide) pour sélectionner "ON" (active). Lorsque "ON" a été sélectionné, on ne peut désélectionner l'option. <ul style="list-style-type: none"> • Appuyer une fois sur la touche DELICATES/KNITS (Tissus délicats/tricots) pour passer au code suivant.

CODE	EXPLICATION
5. 00	HORLOGE – MINUTES
5. 00	Sélection du nombre de minutes pour l'HORLOGE; sélectionner une valeur de 0–59 minutes : appuyer sur la touche PERM PRESS (pressage permanent). <ul style="list-style-type: none"> • Appuyer une fois sur la touche DELICATES/KNITS (Tissus délicats/tricots) pour passer au code suivant.

CODE	EXPLICATION
6. 00	HORLOGE – HEURES REMARQUE : Utilisation du format 24 h.
6. 00	Sélection du nombre d'heures pour l'HORLOGE; sélectionner une valeur de 0–23 heures : appuyer sur la touche PERM PRESS (pressage permanent). <ul style="list-style-type: none"> • Appuyer une fois sur la touche DELICATES/KNITS (Tissus délicats/tricots) pour passer au code suivant.
r. 800	VITESSE D'ESSORAGE LA PLUS ELEVEE (EN RPM)
r. 800	Cette option peut être sélectionnée à partir des vitesses d'essorage suivantes : 600 rpm, 750 rpm, 800 rpm, 1000 (affichage de 999) rpm. Passer d'une vitesse à une autre en appuyant sur PERM PRESS (pressage permanent). Configuré à l'usine pour 800 rpm. <ul style="list-style-type: none"> • Appuyer une fois sur la touche DELICATES/KNITS (Tissus délicats/tricots) pour passer au code suivant.
A1. 00	DURÉE DE PRELAVAGE
A1. 00	Nombre de minutes de la période de PRELAVAGE. Sélectionner 0 pour désactiver le pré-lavage ou sélectionner entre 2 et 7 minutes en appuyant sur la touche PERM PRESS (pressage permanent). <ul style="list-style-type: none"> • Appuyer une fois sur la touche DELICATES/KNITS (Tissus délicats/tricots) pour passer au code suivant.
A2. 03	DUREE DE L'ESSORAGE FINAL
A2. 03	Nombre de minutes de la période de l'essorage final à vitesse élevée. Sélectionner entre 3 et 8 minutes en appuyant sur la touche PERM PRESS (pressage permanent). <ul style="list-style-type: none"> • Appuyer une fois sur la touche DELICATES/KNITS (Tissus délicats/tricots) pour passer au code suivant.

Si le compteur de programme (9 0C) est sélectionné, ce qui suit est vrai :

1 00	Représente le nombre de programmes, en CENTAINES.	1 <u>02</u> = 200
2 00	Représente le nombre de programmes, en UNITES.	2 <u>25</u> = 25
TOTAL PROGRAMMES = 225		

Cette information est "SEULEMENT AFFICHEE"; on ne peut l'effacer.

- Appuyer une fois sur la touche DELICATES/KNITS (Tissus délicats/tricots) pour passer au code suivant.

QUITTER LE MODE DE PARAMÉTRAGE

Supprimer le courant, ouvrir la console, insérer la fiche dans AA1, fermer la console et rétablir le courant.

Mode de diagnostic du lave-linge

Pour accéder au “mode de diagnostic du lave-linge”, accéder d’abord à “Start Operating Set-up” (Mise en marche de paramétrage). Ensuite appuyer sur la touche QUICK CYCLE (Programme rapide) pendant 1 seconde alors que le code de paramétrage 6 est actif à chaque fois qu’un code de diagnostic est présent.

Lors du passage au mode de diagnostic, l’ensemble de l’affichage clignote, un programme en cours est annulé, l’information de paiement mémorisée est effacée et les codes de diagnostic sont effacés. Si l’affichage d’un code de diagnostic persiste, on doit résoudre l’anomalie avant que les options de programme suivantes puissent être mises en oeuvre.

Cinq moyens sont disponibles pour le lancement de l’activité d’un programme à partir du mode de diagnostic, comme suit :

1. Programme de nettoyage du lave-linge – Alors que l’ensemble de l’affichage clignote, ce programme est mis en marche en appuyant sur la touche BRIGHTS (brillants).

Utiliser le programme Nettoyage du lave-linge une fois par mois pour que l’intérieur de votre lave-linge reste frais et propre.

Ce programme consomme un niveau d’eau élevé. Utiliser avec un agent de blanchiment au chlore liquide pour bien nettoyer l’intérieur de votre lave-linge. Ce programme ne doit pas être interrompu.

IMPORTANT : Ne pas mettre de vêtements ou d’autres articles dans le lave-linge lors du programme de nettoyage du lave-linge. Exécuter ce programme avec un tambour de lavage vide.

2. Test de l’aperçu manuel – Alors que l’ensemble de l’affichage clignote, ce programme est mis en marche en appuyant sur la touche WHITES (blancs). Ce programme offre des remplissages, des culbutages, des vidanges, et un mouvement du distributeur de l’actionneur complets plus typiques, permettant une analyse plus complète du fonctionnement du lave-linge, y compris le comportement du contacteur manométrique.

3. Programme d’essorage rapide – Alors que l’ensemble de l’affichage clignote, ce programme est mis en marche en appuyant sur la touche COLORS (couleurs). Ce programme offre le moyen de vidanger et essorer rapidement (retirer l’eau du lave-linge) si désiré.

4. Test de l’aperçu rapide – Alors que l’ensemble de l’affichage clignote, ce programme est mis en marche en appuyant sur la touche DELICATES/KNITS (Tissus délicats/tricots). Ce programme offre une vérification rapide des valves d’admission d’eau chaude et d’eau froide, des distributeurs, du fonctionnement du moteur de la pompe, et du mouvement du distributeur de l’actionneur. Il comprend également des opérations de verrouillage de la porte, de vidange et d’essorage.

Appuyer sur la touche QUICK CYCLE (Programme rapide) permet de quitter le mode diagnostic et d’annuler un programme de diagnostic en cours.

CODES DE DIAGNOSTIC

Si le mode de paramétrage est saisi et l’une des situations suivantes se produit, le code de diagnostic correspondant est affiché.

d9	Tension faible détectée pendant 8 secondes.
F20	Remplissage lent. Le lave-linge ne détecte pas d’entrée d’eau depuis 4 min. Anomalie du manocontacteur ou absence d’entrée d’eau. Ce code est signalé en tant que d8 sur d7.
F22	La porte ne se verrouille pas. Erreur du verrou de porte ou personne essayant de démarrer le lave-linge en appuyant sur le contacteur de porte avec le doigt.

(Dans le cas d’un autre code, consulter le personnel du service après-vente.)

CODE D’ACCÈS POUR ENTRETIEN

Ce code peut être entré pour accéder au mode d’entretien sans retirer la console. Si le lave-linge n’est pas au mode d’échec, la porte doit être ouverte pour pouvoir poursuivre. Le code d’accès pour entretien comporte 6 étapes; certaines d’entre elles sont minutées. Utiliser uniquement les trois boutons du bas (portant les numéros 1, 2 et 3, de gauche à droite) :

1. Appuyer sur 2 pendant plus de 2 secondes mais moins de 10 secondes.
2. Appuyer sur 1 et 3 en même temps pendant 2 secondes, puis relâcher. S 3 s’affiche.
3. Appuyer sur 1 et 2 en même temps, puis relâcher. S 4 s’affiche.
4. Appuyer sur 2 et 3 en même temps, puis relâcher. S 5 s’affiche.
5. Appuyer sur 2, puis relâcher. L’affichage indique “codE”.
6. Attendre au moins 2 secondes mais pas plus de 15 secondes, puis appuyer dans l’ordre sur : 3, 2, 1, 3.

REMARQUE : Si la procédure du code d’accès pour entretien n’est pas effectuée correctement tel qu’indiqué ci-dessus, un délai de 15 secondes s’écoulera avant que l’on puisse retenter la manoeuvre.

Lorsqu’on utilise le code d’accès pour entretien, il existe 3 façons de sortir.

1. À partir du code de paramétrage 8, appuyer sur la touche n°1 pendant 4 secondes.
2. Attendre 2 minutes sans toucher aucune touche (sans qu’aucun mode de diagnostic ne soit activé).
3. Interrompre l’alimentation électrique du lave-linge, puis rétablir l’alimentation électrique.

MODE D’AIDE SUR LE LAVE-LINGE

Ce mode est accessible en appuyant sur la touche PERM PRESS (pressage permanent) dans l’option de paramétrage code 2.XX.

Dans le mode d’aide, d’autres affichages de symboles et autres éléments reflètent l’état de diverses entrées et sorties, de la manière suivante :

Affichage	Description
Wash (Lavage)	De l’eau observée au niveau du lavage.
*	De la basse tension présente (sous 90 VAC environ).
° (Cercle au-dessus de chiffre)	Porte fermée.
DOOR LOCKED (porte verrouillée)	Porte observée à l’état verrouillé.
COLD (froid)	Relais d’eau froide allumé.
HOT (chaud)	Relais d’eau chaude allumé.
OR (ou)	Porte déverrouillée.
AVAILABLE (disponible)	Pompe de vidange à l’état ON.

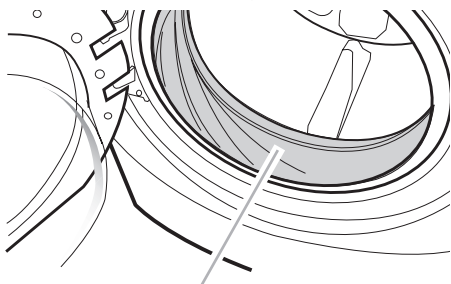
REMARQUE : Une fiche technique est incluse – elle est fixée par ruban adhésif sur la partie interne du panneau inférieur. Elle comprend les codes d’anomalie et un schéma de câblage de la machine.

ENTRETIEN DU LAVE-LINGE

Nettoyage du lave-linge

Nettoyage du joint/soufflet de la porte

1. Ouvrir la porte du lave-linge et retirer tout vêtement ou article du lave-linge.
2. Examiner le joint/soufflet coloré entre l'ouverture de la porte et le tambour pour déceler des zones tachées. Tirer sur le joint/soufflet pour examiner toutes les zones sous le joint/soufflet et voir s'il n'y a pas d'objets étrangers.



A
A. Joint/soufflet

3. Si des zones tachées sont décelées, essuyer ces zones en respectant la procédure indiquée ci-dessous :
 - a) Mélanger une solution diluée en utilisant 177 mL de tasse (3/4) d'agent de blanchiment au chlore liquide et 3,8 L (1 gal.) d'eau tiède du robinet.
 - b) Essuyer la zone du joint/soufflet avec la solution diluée, en utilisant un chiffon humide.
 - c) Laisser agir pendant 5 minutes.
 - d) Essuyer la zone complètement avec un chiffon sec et laisser l'intérieur du lave-linge sécher avec la porte ouverte.

IMPORTANT :

- Porter des gants en caoutchouc en cas de nettoyage pendant une période prolongée.
- Consulter les instructions du fabricant de l'agent de blanchiment pour une utilisation correcte.

Procédure d'entretien du lave-linge

Ce lave-linge comporte un programme spécial qui utilise des volumes d'eau plus importants en combinaison avec un agent de blanchiment au chlore liquide pour nettoyer en profondeur l'intérieur du lave-linge.

REMARQUES :

- Lire ces instructions complètement avant de débiter la procédure de nettoyage.
- Si nécessaire, le programme de nettoyage peut être interrompu en appuyant deux fois sur le bouton QUICK CYCLE (Programme rapide). Cependant, ceci n'arrêtera pas immédiatement le programme. Le lave-linge poursuivra avec plusieurs rinçages et vidanges afin d'évacuer toute trace d'agent de blanchiment du lave-linge.

Début de la procédure

1. Ouvrir la porte du lave-linge et retirer tout vêtement ou article du lave-linge.
2. **Utiliser un agent de blanchiment liquide :**
Ouvrir le tiroir distributeur et ajouter immédiatement 160 mL de tasse (2/3) d'agent de blanchiment liquide au chlore dans le compartiment d'agent de blanchiment.

REMARQUE : Ne pas verser de détergent pour ce programme. L'utilisation de plus de 160 mL de tasse (2/3) d'agent de blanchiment occasionnera, avec le temps, des dommages au produit.

3. Fermer la porte du lave-linge et le tiroir distributeur.
4. Pour mettre en marche le programme de nettoyage du lave-linge entrer d'abord dans "Start Operating Set-up". Puis appuyer sur QUICK CYCLE (Programme rapide) pendant 1 seconde. Alors que l'ensemble de l'affichage clignote, appuyer sur BRIGHTS (brillants).

REMARQUE : Le panier pivote, la porte se déverrouille, se verrouille à nouveau et ensuite le programme se poursuit.

- Le lave-linge ne se remplit pas d'eau mais le panier tourne alors que le lave-linge effectue un court programme de détection. Ceci prend environ 3 minutes.
5. Le programme détermine si des vêtements ou d'autres articles se trouvent dans le lave-linge.
 - a) Si aucun article n'est détecté dans le lave-linge, il passe à l'étape 7.
 - b) Si des articles sont détectés dans le lave-linge, "rL" (enlever la charge) ou "F-34" s'affiche. Ensuite la porte se déverrouille.
 - Appuyer sur QUICK CYCLE (Programme rapide) pour annuler le code de défaillance. Puis répéter les étapes 1, 3 et 4 pour remettre le programme en marche.
 6. Une fois que le programme a commencé, laisser le programme s'achever.
 7. A la fin du programme, laisser la porte légèrement ouverte, pour permettre une meilleure ventilation et le séchage de l'intérieur du lave-linge.

Toujours suivre la procédure qui suit pour préserver la fraîcheur du lave-linge :

- Utiliser uniquement un détergent pour lave-linge automatique.
- Laisser la porte légèrement ouverte après chaque programme pour permettre une meilleure ventilation et le séchage de l'intérieur du lave-linge.
- Nettoyer le lave-linge chaque mois selon la "Procédure d'entretien du lave-linge", en utilisant 2/3 de tasse (160 mL) d'agent de blanchiment au chlore liquide.
- Si la procédure ne permet pas de remédier suffisamment aux problèmes de fraîcheur du lave-linge, veuillez examiner les conditions d'installation et d'utilisation pour déceler d'autres causes.

Nettoyage de l'extérieur

Utiliser une éponge ou un chiffon doux humide pour essuyer les renversements. Essuyer occasionnellement les surfaces externes du lave-linge pour maintenir son apparence d'appareil neuf. Utiliser un savon doux et de l'eau. Ne pas utiliser des produits abrasifs.

Nettoyage du tiroir distributeur

Le tiroir distributeur est amovible pour faciliter le nettoyage.

1. Déverrouiller le tiroir distributeur en appuyant sur le levier de dégagement. Retirer le tiroir.
 2. Oter les pièces incluses (le siphon des compartiments de l'assouplissant de tissu et de l'agent de blanchiment).
 3. Laver les pièces sous l'eau du robinet.
- REMARQUE :** Ne pas laver les composants au lave-vaisselle.
4. Réinstaller les pièces incluses et remettre le distributeur dans le tiroir.

Tuyaux d'arrivée d'eau

Remplacer les tuyaux d'arrivée d'eau après 5 ans d'utilisation pour réduire le risque de défaillance des tuyaux. Inspecter périodiquement les tuyaux; les remplacer en cas de renflement, de déformation, de coupure et d'usure ou si une fuite se manifeste.

Lors du remplacement des tuyaux d'arrivée d'eau, inscrire la date du remplacement.

ASSISTANCE OU SERVICE

Avant de faire un appel pour assistance ou service, veuillez vérifier la section "Dépannage". Cette vérification peut vous faire économiser le coût d'une intervention de dépannage. Si vous avez toujours besoin d'aide, contactez le marchand chez qui vous avez acheté l'appareil électroménager ou une compagnie de réparation désignée par Whirlpool.

Pour votre appel, veuillez connaître la date d'achat et les numéros de modèle et de série complets de votre appareil. Ces renseignements nous aideront à mieux répondre à votre demande.

Accessoires

Equipez votre lave-linge de ces accessoires de qualité. Pour en savoir plus sur les articles de grande qualité ou pour commander, contactez votre distributeur autorisé Whirlpool.

Nombre de partie	Accessoire
8212526	Bac récepteur du lave-linge, adaptable à tous modèles
31682	Nettoyant universel d'appareils ménagers
1903WH	Panier de rangement des produits à lessive

Whirlpool Corporation, Benton Harbor, Michigan 49022, USA.

Manufacturer site: Whirlpool Mexico S.A. de C.V., Antigua Carretera a Roma Km 9,
Col. El Milagro, Apodaca, Nuevo León, C.P. 66634, Mexico.

EU representative: Whirlpool UK Ltd, Croydon, CR9 4RY, UK
Bauknecht Hausgeräte GmbH, D-73614 Schorndorf

SEGURIDAD DE LA LAVADORA

Su seguridad y la seguridad de los demás es muy importante.

Hemos incluido muchos mensajes importantes de seguridad en este manual y en su electrodoméstico. Lea y obedezca siempre todos los mensajes de seguridad.



Este es el símbolo de advertencia de seguridad.

Este símbolo le llama la atención sobre peligros potenciales que pueden ocasionar la muerte o una lesión a usted y a los demás.

Todos los mensajes de seguridad irán a continuación del símbolo de advertencia de seguridad y de la palabra "PELIGRO" o "ADVERTENCIA". Estas palabras significan:

 **PELIGRO**

Si no sigue las instrucciones de inmediato, usted puede morir o sufrir una lesión grave.

 **ADVERTENCIA**

Si no sigue las instrucciones, usted puede morir o sufrir una lesión grave.

Todos los mensajes de seguridad le dirán el peligro potencial, le dirán cómo reducir las posibilidades de sufrir una lesión y lo que puede suceder si no se siguen las instrucciones.

INSTRUCCIONES IMPORTANTES DE SEGURIDAD

ADVERTENCIA: A fin de reducir el riesgo de incendio, descarga eléctrica o de daño a las personas que usen la lavadora, deben seguirse las precauciones básicas, incluidas las siguientes:

- En ciertas condiciones, puede generarse gas hidrógeno en un sistema de agua caliente que no se haya usado por dos semanas o un período mayor. EL GAS HIDRÓGENO ES EXPLOSIVO. Si no se ha usado el agua caliente durante dicho período, antes de usar la lavadora, abra todos los grifos de agua caliente y deje que corra el agua por varios minutos. Esto liberará todo el gas hidrógeno que se haya acumulado. Debido a la inflamabilidad de dicho gas, no fume ni use una llama abierta durante este lapso.
- Quite la puerta o la tapa de la lavadora antes de ponerla fuera de funcionamiento o de descartarla.
- No instale o almacene esta lavadora donde estará expuesta a la intemperie.
- No repare o reemplace ninguna pieza de la lavadora ni trate de repararla a menos que esto se recomiende específicamente en este manual o en instrucciones de reparación publicadas para el usuario que usted comprenda y sólo si cuenta con la experiencia necesaria para llevar a cabo dicha reparación.
- Vea "Requisitos eléctricos" para las instrucciones de conexión a tierra.

GUARDE ESTAS INSTRUCCIONES

ELIMINACIÓN DE LA LAVADORA



Este electrodoméstico está marcado de acuerdo con la directiva europea 2002/96/EC sobre Residuos de Equipos Eléctricos y Electrónicos (Waste Electrical and Electronic Equipment - WEEE).

Asegurándose de que este producto será eliminado correctamente, usted ayudará a prevenir consecuencias negativas potenciales para el medio ambiente y la salud humana, que podrían causarse por el manejo inapropiado de este producto.

El símbolo sobre el producto, o en los documentos que acompañan al producto, indica que este electrodoméstico no puede tratarse como basura doméstica. Contrariamente, deberá ser entregado al punto de recogida correspondiente para el reciclado de equipos eléctricos y electrónicos.

La eliminación debe llevarse a cabo de acuerdo con las regulaciones ambientales locales para la eliminación de basura.

Para información más detallada acerca del tratamiento, recuperación y reciclado de este producto, por favor, contacte con su oficina municipal local, su servicio de eliminación de basura doméstica o la tienda donde compró el producto.

Nomenclatura del modelo

3L – Código de enchufe, voltaje de 230 V/50 Hz

CHW – Lavadora comercial de carga horizontal

91 – Número de tipo de modelo

REQUISITOS DE INSTALACIÓN

Herramientas y piezas

Reúna todas las herramientas y piezas necesarias antes de comenzar la instalación. Las piezas provistas con la lavadora están en el tambor de la lavadora.

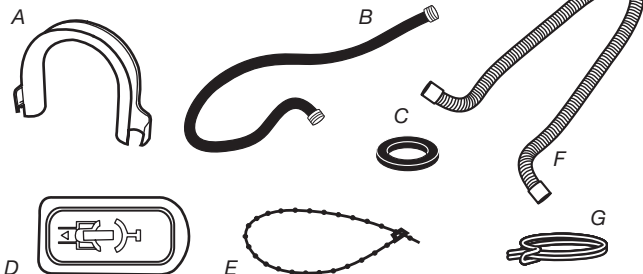
Herramientas necesarias para la conexión de las mangueras de entrada del agua:

- Alicates (que se abran a 39,5 mm [1 $\frac{5}{16}$ "])
- Linterna (opcional)

Herramientas necesarias para la instalación

- Llaves de boca de 1/2" y 9/16"
- Destornillador de seguridad Torx®† T-20
- Llave de tuercas de 1/4"
- Nivel
- Bloque de madera
- Regla o cinta para medir

Piezas suministradas



A. Molde de la manguera en forma de "U"

B. Mangueras de entrada de agua (2)

C. Arandelas de la manguera de entrada (4)

D. Taponos de orificios para pernos de transporte (4)

E. Fleje de atadura rebordeado

F. Manguera de desagüe

G. Abrazadera de la manguera

Piezas alternativas

Su instalación puede requerir piezas suplementarias. Si está interesado en adquirir uno de los artículos mencionados aquí, póngase en contacto con el distribuidor autorizado de Whirlpool.

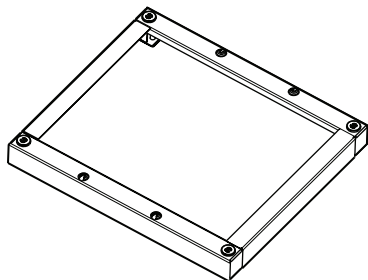
Si tiene	Necesitará adquirir
Tina de lavandería o tubo vertical de más de 2,4 m (96")	Sistema de bomba de sumidero (si no está disponible aún)
Una alcantarilla suspendida	Una tina de desagüe estándar o tina de lavadero de 76 L (20 gal.), 762 mm (30") y bomba de sumidero (disponible con los distribuidores de fontanería locales)
Desagüe por el piso	Desviación de sifón, pieza número 285320; manguera de desagüe adicional, pieza número 8318155; juego de desagüe por el piso, pieza número 280129
Una manguera de desagüe muy corta	Juego de extensión para manguera de desagüe de 1,2 m (4 pies), pieza número 285834

†® TORX es una marca registrada de Saturn Fasteners, Inc.

Opciones

Pedestal

Usted tiene la opción de comprar pedestales por separado para esta lavadora. El pedestal incrementará la altura total de su lavadora.



Pedestal opcional

Altura del pedestal	Altura aproximada con la lavadora	Color	Número de pieza
(73 mm) 2 ⁷ / ₈ "	(1207 mm) 47,5"	Blanco	WHP0400VW

Requisitos de ubicación

La selección de una ubicación apropiada para su lavadora realza el rendimiento y reduce al mínimo el ruido y la posible "caminata" de la lavadora.

Su lavadora se puede instalar debajo de un mostrador a la medida o en un sótano, cuarto para lavar o un lugar empotrado. Vea "Sistema de desagüe".

Deberá tenerse en cuenta también los requisitos para la ubicación de otro electrodoméstico que le acompañe. La instalación correcta es su responsabilidad.

Usted necesitará

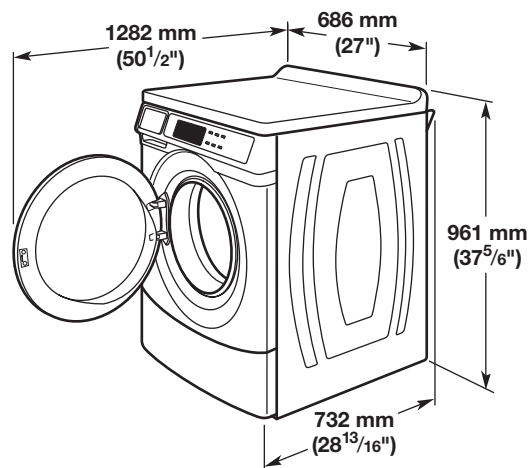
- Un calentador de agua fijado para suministrar a la lavadora el agua a 60°C (140°F).
- Un contacto eléctrico con conexión a tierra ubicado a una distancia de 1,8 m (6 pies) del lugar donde el cable eléctrico está fijado a la parte posterior de la lavadora. Vea "Requisitos eléctricos".
- Grifos de agua fría y caliente ubicados a una distancia de no más de 1,2 m (4 pies) de las válvulas de llenado de agua fría y caliente, y una presión de agua de 137,9 a 689,6 kPa (20 a 100 lb).
- Un piso nivelado con un declive máximo de 25 mm (1") debajo de la lavadora completa. No se recomienda instalar la lavadora sobre superficies blandas del piso, tales como alfombras o superficies con reverso de espuma.
- Un piso resistente y firme que soporte la lavadora con un peso total (del agua y de la carga) de 180 kg (400 lbs).

No ponga a funcionar su lavadora a temperaturas inferiores a 0°C (32°F). El agua que quede en la lavadora puede ocasionar daños a bajas temperaturas.

Espacios libres para la instalación

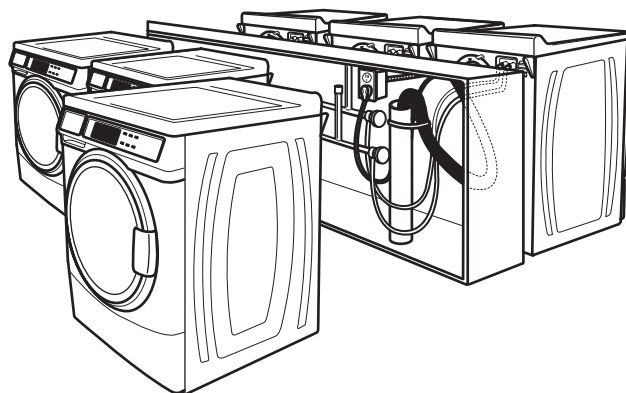
- El lugar debe ser lo suficientemente grande para permitir que la puerta de la lavadora se abra completamente.
- Debe considerarse espacio adicional para facilitar la instalación y el servicio técnico. La puerta se abre a más de 90° y no es reversible.
- Se podrían necesitar espacios libres adicionales para las molduras de la pared, puerta y piso.
- Se recomienda un espacio adicional de 25 mm (1") en todos los lados de la lavadora para reducir la transferencia de ruido.
- También se debe considerar espacio adicional para otro electrodoméstico que le acompañe.
- La retirada del enchufe eléctrico proporciona la función de un control de parada de emergencia cuando esté instalada, el enchufe debe estar visible y accesible para el usuario para su desconexión del suministro eléctrico.

Dimensiones de la lavadora



La puerta no es reversible.

Debe proveerse un desagüe por el piso bajo el tabique divisorio. Los tabiques divisorios prefabricados con contactos eléctricos, líneas de entrada de agua e instalaciones con desagües deben ser usados únicamente donde los códigos locales lo permitan.



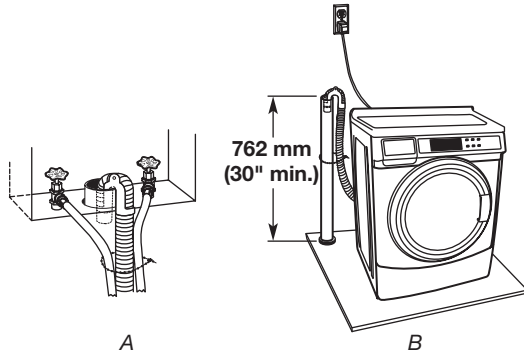
Sistema de desagüe

Se puede instalar la lavadora utilizando el sistema de desagüe por tubo vertical (en el piso o en la pared), el sistema de desagüe por la tina de lavadero, o el sistema de desagüe por el piso. Seleccione el método de instalación de la manguera de desagüe que usted necesite. Vea "Herramientas y piezas".

Sistema de desagüe por tubo vertical – en la pared o en el piso (vistas A y B)

El desagüe por tubo vertical necesita un tubo vertical con un diámetro mínimo de 50 mm (2"). La capacidad mínima de desagüe no puede ser menor de 45,5 L (12 gal.) por minuto.

La parte superior del tubo vertical debe tener una altura mínima de 762 mm (30") y máxima de 2,4 m (96") desde la parte inferior de la lavadora.



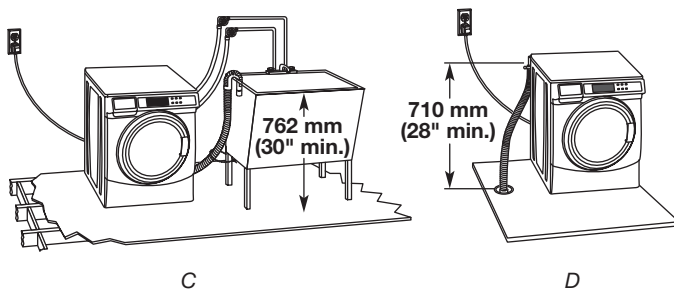
Sistema de desagüe por la tina de lavadero (vista C)

La tina de lavadero necesita una capacidad mínima de 76 L (20 gal.). La parte superior de la tina del lavadero debe estar a una altura mínima de 762 mm (30") del piso.

Sistema de desagüe por el piso (vista D)

El sistema de desagüe por el piso necesita una desviación de sifón que puede adquirirse por separado. Vea "Herramientas y piezas".

La desviación del sifón debe estar a una distancia mínima de 710 mm (28") de la parte inferior de la lavadora. Se pueden necesitar mangueras adicionales.



Requisitos eléctricos

⚠ ADVERTENCIA



Voltaje Peligroso

⚠ ADVERTENCIA



Peligro de Choque Eléctrico

Conecte a un contacto de pared de conexión a tierra.

No use un adaptador.

No use un cable eléctrico de extensión.

No seguir estas instrucciones puede ocasionar la muerte, incendio o choque eléctrico.

- Se necesita un suministro eléctrico de 220 ó 240 V, 50 Hz., protegido con fusibles. Se recomienda un fusible retardador de 10-16A o un cortacircuitos.
- Esta lavadora viene equipada con un cable eléctrico dotado de un enchufe con conexión a tierra.
- Para reducir el peligro de posibles descargas eléctricas, el cable debe ser enchufado en un contacto de pared conectado a tierra de acuerdo con los códigos y normas locales. Si no hay disponible una salida equivalente, es responsabilidad y obligación personal del cliente de tener una salida a tierra apropiada instalada por un electricista calificado.
- Si los códigos lo permiten y se emplea un alambre de conexión a tierra separado, es recomendable que un electricista calificado determine si la trayectoria de conexión a tierra es adecuada.
- Si se ha dañado el cable de suministro de energía, deberá ser reemplazado por el fabricante, el agente de servicio o una persona similarmente calificada para evitar riesgos.
- No haga la conexión a tierra sobre una tubería de gas.
- Si no está seguro de que la conexión a tierra de la lavadora sea la adecuada, verifíquela con un electricista competente.

- No tenga un fusible en el circuito neutro o de conexión a tierra.

INSTRUCCIONES PARA LA CONEXIÓN A TIERRA

Esta lavadora debe estar conectada a tierra. En caso de funcionamiento defectuoso o avería, la conexión a tierra reducirá el riesgo de descarga eléctrica al proporcionar una vía de menor resistencia a la corriente eléctrica. Esta lavadora viene equipada con un cable eléctrico que tiene un cable de conexión a tierra del equipo y un enchufe con conexión a tierra. El enchufe debe conectarse a una toma de pared adecuada que haya sido debidamente instalada y conectado a tierra de conformidad con toda la normativa local.

ADVERTENCIA: La conexión incorrecta de la terminal de conexión a tierra del equipo puede ocasionar un riesgo de descarga eléctrica. Consulte con un electricista o a un técnico calificado si tiene alguna duda en cuanto a la correcta conexión a tierra del electrodoméstico.

No modifique el enchufe que se adjunta con el electrodoméstico. Si éste no encaja en la toma de la pared, solicite que un electricista cualificado le instale una toma de pared adecuada.

NOTA: Normas de seguridad eléctricas: El fabricante ha escogido cumplir con las normas IEC/EN. 60335 por ser las más apropiadas para este producto.

- Nivel de presión acústica, Lpa: 58 dbA (con rango de variación de kpa: +/- 3,6 dbA).

INSTRUCCIONES DE INSTALACIÓN

Eliminación del sistema protector de transporte

⚠ ADVERTENCIA

Peligro de Peso Excesivo

Use dos o más personas para mover e instalar la lavadora.

No seguir esta instrucción puede ocasionar una lesión en la espalda u otro tipo de lesiones.

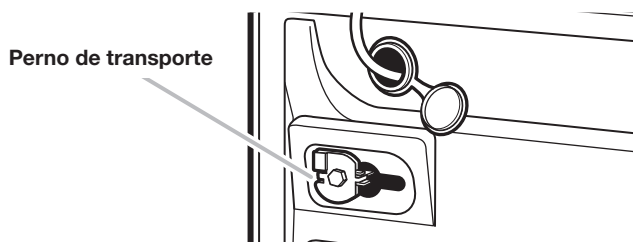
Máximo peso empaquetado:
111 kg (244,71 lb)

Máximo peso desempaquetado:
107 kg (235,89 lb)

IMPORTANTE: Coloque la lavadora de modo que la parte posterior de la lavadora esté aproximadamente a 900 mm (3 pies) de distancia de su ubicación final.

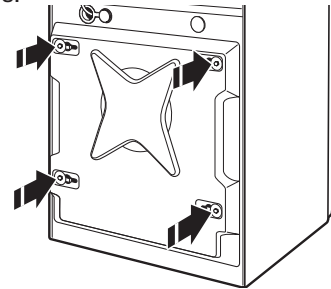
Hay 4 pernos de transporte en el panel posterior de la lavadora que sostienen el sistema de suspensión durante el transporte. Estos pernos también retienen el cable de suministro de energía dentro de la lavadora hasta que se quiten los pernos.

1. Mantenga la lavadora en la posición vertical mientras quite los pernos de transporte.

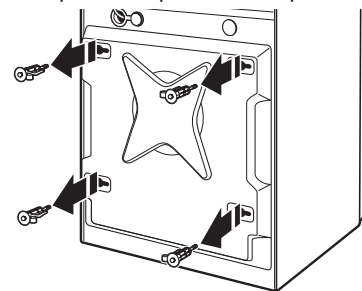


Perno de transporte con espaciador de plástico

2. Utilice una llave de tuercas de 1/2" para aflojar cada uno de los pernos.



3. Una vez que el perno esté flojo, muévelo hacia el centro del orificio y tire hacia fuera por completo, incluyendo el espaciador de plástico que cubre el perno.



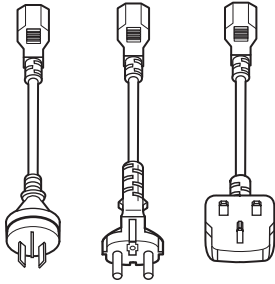
4. Una vez que se hayan quitado los 4 pernos, descarte los pernos y los espaciadores. Luego coloque el cable de suministro de energía en la abertura, del lado derecho del panel posterior, y tire del cable de suministro de energía a través de la abertura en el lado izquierdo del panel posterior; cierre los orificios con la tapa provista. No tire del extremo del cable de suministro de energía a través del orificio del lado derecho.

5. Cierre los orificios de los pernos con los 4 tapones para orificios de pernos de transporte.

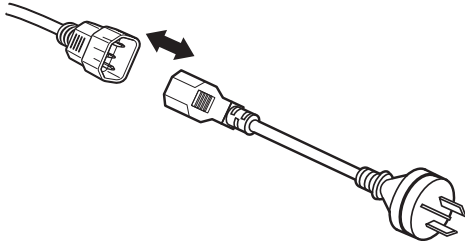
NOTA: Llame al distribuidor del producto o al instalador si la lavadora se va a transportar unos días más tarde. Para evitar daños estructurales y de suspensión, su lavadora debe estar debidamente preparada para ser nuevamente ubicada por un profesional competente.

Instalación del cable de suministro de energía

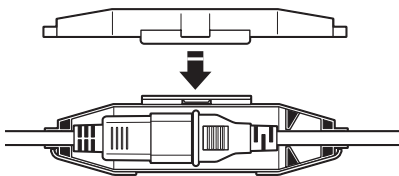
1. Seleccione el enchufe que encaje en el receptáculo eléctrico.



2. Conecte el enchufe en el extremo del cable de suministro de energía.



3. Asegure el cable de suministro de energía colocando la conexión sobre la traba del cable.



4. Coloque la cubierta de la traba del cable y empuje hasta que encaje a presión.

5. Cerciérese de que la conexión del cable de suministro de energía esté colocada en el bloqueo del cable y que la traba del cable se sujete correctamente.

Conexión de las mangueras de entrada

La conexión al suministro de agua debiera hacerse de acuerdo con las reglamentaciones locales o nacionales. Inserte nuevas arandelas planas (suministradas) en cada extremo de las mangueras de entrada. Asiente firmemente las arandelas en los acoplamientos.



A. Acoplamiento
B. Arandela

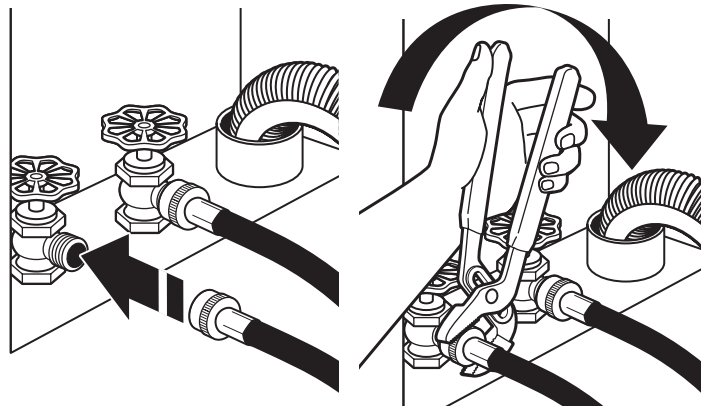
■ Utilice las nuevas mangueras de entrada suministradas con la lavadora. No vuelva a usar las mangueras viejas.

Conecte las mangueras de entrada a los grifos de agua

Asegúrese de que el tambor de la lavadora esté vacío.

1. Sujete una manguera al grifo de agua caliente. Atornille el acoplamiento con la mano hasta que se asiente en la arandela.
2. Sujete una manguera al grifo de agua fría. Atornille el acoplamiento con la mano hasta que se asiente en la arandela.
3. Apriete los acoplamientos con los alicates, girándolos dos tercios de vuelta adicional.

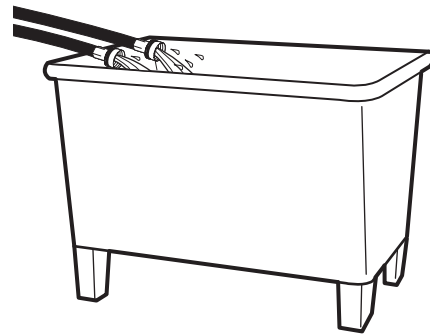
34



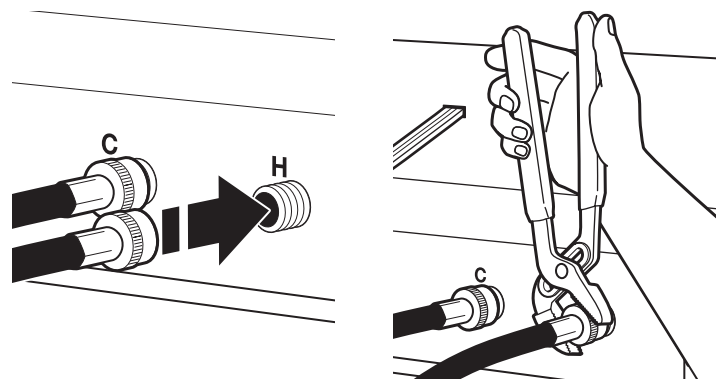
NOTA: No apriete demasiado ni use cinta o selladores en el grifo. Se pueden dañar las mangueras de entrada.

Despeje las líneas de agua

- Deje correr el agua a través de ambos grifos y las mangueras de entrada en un lavadero, tubo de desagüe o cubeta para eliminar las partículas que se encuentran en las tuberías del agua, las cuales podrían obstruir los filtros de la válvula de entrada.
- Verifique la temperatura del agua para asegurarse de que la manguera de agua caliente esté conectada al grifo de agua caliente y que la manguera de agua fría esté conectada al grifo de agua fría.



Conecte las mangueras de entrada a la lavadora



C. Entrada de agua fría
H. Entrada de agua caliente

1. Fije la manguera de agua caliente a la válvula de regulación en la válvula de entrada de agua caliente (H) de la lavadora. Atornille el acoplamiento con la mano hasta que se asiente en la válvula de regulación.

2. Fije la manguera de agua fría a la válvula de regulación en la válvula de entrada de agua fría (C) de la lavadora. Atornille el acoplamiento con la mano hasta que se asiente en la válvula de regulación.

3. Usando los alicates, apriete los acoplamientos dos tercios de vuelta adicional.

NOTA No apriete demasiado. Se puede dañar el acoplamiento.

4. Abra por completo los grifos del agua y revise si hay fugas.



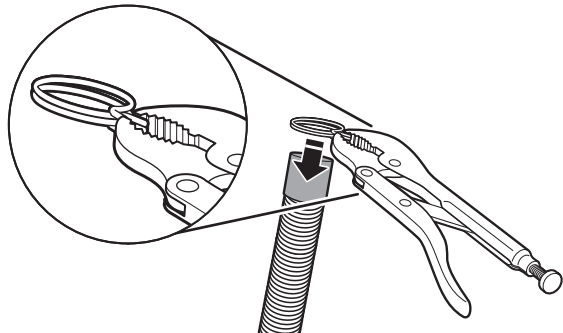
NOTA Reemplace las mangueras de entrada después de cinco años de uso para reducir el riesgo de que fallen. Para consulta en el futuro, anote en las mangueras la fecha de instalación o la fecha de reposición de las mismas.

Inspeccione periódicamente y reemplace las mangueras si aparecen bultos, torceduras, cortaduras, desgaste o filtraciones de agua.

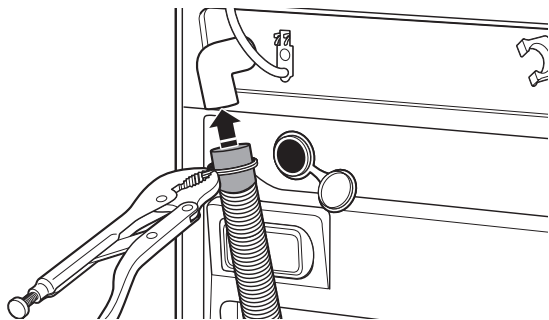
Conexión de la manguera de desagüe

Retire la manguera de desagüe del tambor de la lavadora

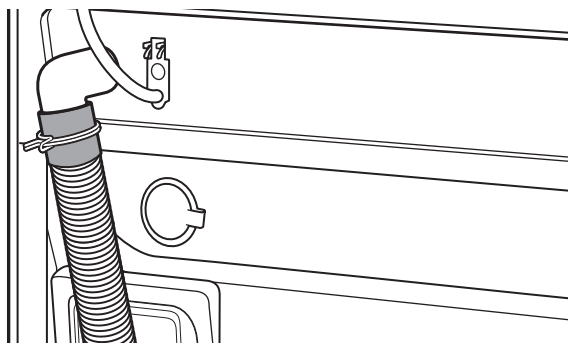
1. Usando pinzas de presión, apriete las lengüetas de la abrazadera para manguera para unirlos e insértelos en el extremo de la manguera de desagüe.



2. Deslice la manguera de desagüe en la conexión de la lavadora.



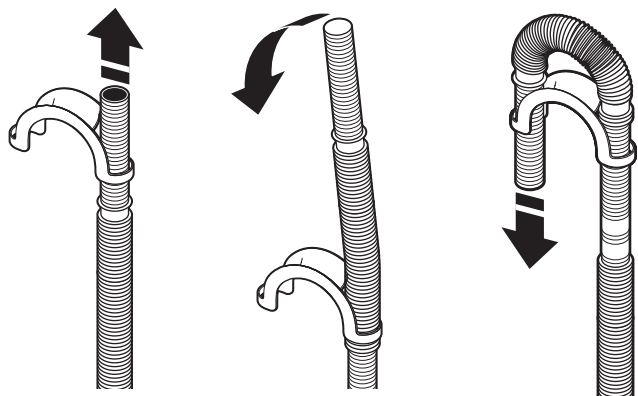
3. Una vez que la manguera de desagüe esté en su lugar, suelte las pinzas.



El sistema de desagüe de la lavadora puede instalarse utilizando un desagüe de piso, un tubo vertical de pared, un tubo vertical de piso o una tina de lavadero.

Desagüe de la tina de lavadero o desagüe de tubo vertical

Conecte el molde de la manguera de desagüe a la manguera de desagüe corrugada.



Para evitar que el agua de desagüe vuelva a su lavadora:

- No enderece la manguera de desagüe ni fuerce el exceso de la misma dentro del tubo vertical. La manguera debe quedar asegurada pero lo suficientemente floja que permita un espacio para el aire.
- No tienda el exceso de la manguera en el fondo de la tina del lavadero.

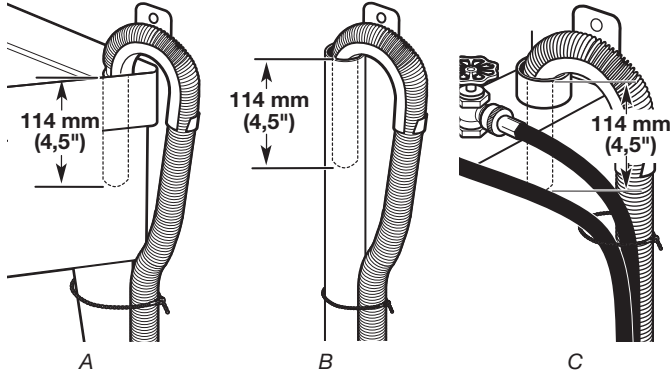
Desagüe por el piso

Quizás necesite piezas adicionales. Vea Desagüe por el piso en "Piezas y herramientas".

Fijación de la manguera de desagüe

La manguera de desagüe debe asegurarse para evitar que se mueva cuando se drena el agua. Si se mueve la manguera de desagüe, el agua puede terminar en el piso.

1. Coloque el cable eléctrico encima de la lavadora.
2. Mueva la lavadora a su ubicación final.
3. Ubique la manguera de desagüe en la tina del fregadero o tubo vertical, como se muestra. Vea las ilustraciones A y B.



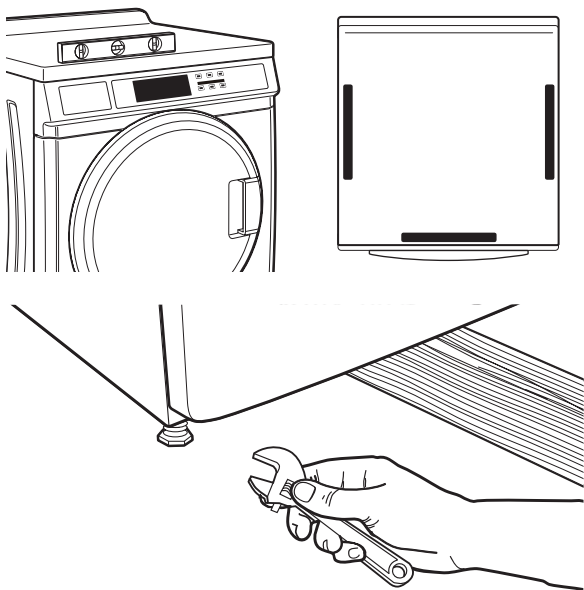
NOTAS:

- No fuerce el exceso de la manguera de desagüe dentro de la parte posterior de la lavadora.
- Para evitar el efecto de sifón, no selle ni ponga más de 114 mm (4.5") de la manguera de desagüe en el tubo de desagüe o en el tubo vertical.
- Si los grifos de la lavadora y el tubo vertical de desagüe están empotrados, ponga el extremo en forma de gancho de la manguera de desagüe en el tubo vertical, como se muestra. Vea la ilustración C.

Nivelación de la lavadora

La nivelación apropiada de su lavadora evita el ruido y la vibración excesivos.

1. Revise si la lavadora está nivelada colocando un nivel en el borde superior de la lavadora, primero de lado a lado, luego de frente hacia atrás.



Si la lavadora está contra la pared, mueva la lavadora ligeramente hacia afuera antes de inclinarla hacia atrás. Si la lavadora no está nivelada, primero apunte la parte frontal con un bloque de madera y regule las patas según sea necesario, después apunte la parte de atrás y regule las patas según sea necesario. Repita este paso hasta que la lavadora quede nivelada.

2. Asegúrese de que las cuatro patas estén estables y descansando sobre el suelo. Verifique que la lavadora esté nivelada (use un nivel).
3. Una vez que la lavadora esté nivelada, use una llave de boca de 9/16" para apretar las tuercas de las patas contra la carcasa de la lavadora.
IMPORTANTE: Se deben ajustar las cuatro patas. Si no se aprietan las tuercas contra la carcasa de la lavadora, la lavadora podría vibrar.
4. La lavadora no deberá moverse del frente hacia atrás, de lado a lado o diagonalmente cuando se la empuje sobre sus bordes superiores.
5. Deslice la lavadora a su ubicación final.
6. Verifique la nivelación de la lavadora.

Complete la instalación

1. Revise los requisitos eléctricos. Asegúrese de contar con la fuente de electricidad correcta y el método recomendado de conexión a tierra. Vea "Requisitos eléctricos".
2. Verifique que todas las piezas estén ahora instaladas. Si hay alguna pieza extra, vuelva a revisar todos los pasos para ver cuál se omitió.
3. Verifique que tenga todas las herramientas.
4. Deshágase de todos los materiales de embalaje o reciclelos.
5. Verifique que los grifos de agua estén abiertos.
6. Verifique si hay fugas alrededor de los grifos y de las mangueras de entrada.

⚠ ADVERTENCIA

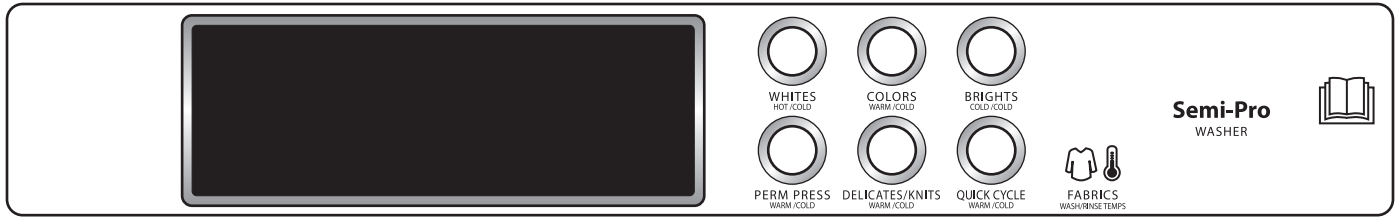


Peligro de Choque Eléctrico

- Conecte a un contacto de pared de conexión a tierra.
- No use un adaptador.
- No use un cable eléctrico de extensión.
- No seguir estas instrucciones puede ocasionar la muerte, incendio o choque eléctrico.

7. Enchufe en un contacto de conexión a tierra.
8. Para probar y limpiar su lavadora, mida la mitad de la cantidad de detergente recomendada por el fabricante para una carga mediana. Vierta el detergente en el depósito del detergente. Seleccione cualquier ciclo y permita que la lavadora termine un ciclo completo.

INSTRUCCIONES DE PROGRAMACIÓN DEL CONTROL



1. La puerta se debe cerrar antes de seleccionar el ciclo.
2. Presione el botón del ajuste de telas para el ciclo de lavado deseado. Después de que ha comenzado el ciclo, el tiempo aparecerá en la pantalla e iniciará la cuenta regresiva.

Información general

Aparece en la pantalla 'out of order' (fuera de servicio), seguido por un código de error

Esta condición indica que la lavadora es inoperante.

Aparece en la pantalla "0 Minutes" (0 minutos)

Esta condición indica que la lavadora no puede usarse. Si el interruptor de una puerta falla, éste se debe reemplazar antes de que se pueda reanudar el funcionamiento normal.

Inicio en frío (primer uso)

La lavadora está programada de fábrica como se describe a continuación:

- Período de lavado de 11 minutos
- 3 enjuagues (no está activado el enjuague adicional)

Inicio con calor (después de un corte de corriente)

Unos segundos después de que se restablezca la electricidad, si un ciclo se encontraba funcionando cuando ocurrió el corte de corriente, destellará en la pantalla "RESELECT CYCLE" (Vuelva a seleccionar el ciclo), lo cual indica que se necesita presionar un botón para que la lavadora vuelva a ponerse en marcha.

Procedimientos de programación del control

IMPORTANTE: Lea todas las instrucciones antes de usarla.

Puede ingresar a los procedimientos de programación usando el código de acceso de servicio (vea la sección "Código de acceso de servicio").

La lavadora se encuentra ahora en el modo de programación. Los botones inferiores para la selección de telas y la pantalla digital se usan para la programación de los controles. En la pantalla se pueden mostrar 4 números y/o letras y un punto decimal. Estos se usan para indicar los códigos de la programación y los valores de los códigos relacionados con los mismos, disponibles para el uso de la programación de la lavadora.

Cómo utilizar los botones para programar los controles

1. El botón de Planchado permanente (PERM PRESS) se utiliza para ajustar los valores asociados con los códigos de programación. El presionar este botón cambiará el valor en incrementos. Se pueden hacer ajustes rápidamente si se mantiene presionado el botón.
2. El botón de Ropa delicada y tejidos de punto (DELICATES/KNITS) lo avanzará a través de los códigos de programación. El presionar este botón lo avanzará al siguiente código de programación disponible. El mantener presionado el botón le muestra automáticamente todos los códigos de programación a una velocidad de 1 por segundo.
3. El botón de Ciclo rápido (QUICK CYCLE) se usa para seleccionar o quitar opciones.

Comience a operar la programación

Antes de continuar, es importante mencionar que a pesar de que hayan muchas opciones disponibles, el dueño puede elegir el desembalar una lavadora semiprofesional, hacer las conexiones necesarias, conectarla al suministro de energía y tener una lavadora que funciona. Las lavadoras están prefijadas de fábrica para un período de lavado de 11 minutos y 3 enjuagues (sin enjuague adicional).

Códigos de programación

- El botón de Ropa delicada y tejidos de punto (DELICATES/KNITS) avanzará código por código.
- El botón de Planchado permanente (PERM PRESS) cambiará el valor del código.
- El botón de Ciclo rápido (QUICK CYCLE) seleccionará o quitará opciones.

El código de programación se indica con uno o los dos caracteres al lado izquierdo. El valor del código de programación se indica con los dos o tres caracteres al lado derecho.

CÓDIGO	EXPLICACIÓN
711	DURACIÓN DEL LAVADO
711	Este es el número de minutos para el Lavado (WASH). La lavadora viene prefijada de fábrica en 11 minutos. Elija de 9 a 17 minutos presionando el botón de Planchado permanente (PERM PRESS). <ul style="list-style-type: none"> • Presione el botón de Ropa delicada y tejidos de punto (DELICATES/KNITS) una vez para avanzar al siguiente código. <p>NOTA: Esta opción no es aplicable para el Ciclo rápido (Quick Cycle).</p>
8 00	OPCIÓN DE ENJUAGUE ADICIONAL Esta opción se SELECCIONA "ON" (Encendido) o NO SE SELECCIONA "OFF" (Apagado).
8 00	No seleccionada "OFF" (Apagado).
8 Ar	Seleccionada "ON" (Encendido). No se puede combinar con la opción de enjuague del Ciclo superior (Super Cycle). Presione el botón de Ciclo rápido (QUICK CYCLE) una vez para hacer esta selección. <ul style="list-style-type: none"> • Presione el botón de Ropa delicada y tejidos de punto (DELICATES/KNITS) una vez para avanzar al siguiente código.
9 00	OPCIÓN DE CONTADOR DE CICLOS Esta opción se SELECCIONA "ON" (Encendido) o NO SE SELECCIONA "OFF" (Apagado).
9 00	No seleccionada "OFF" (Apagado).
9 0C	Seleccionada "ON" (Encendido) y no se puede cancelar. Presione el botón de Ciclo rápido (QUICK CYCLE) 3 veces consecutivas para seleccionar "ON" (Encendido). Una vez que se seleccione "ON" (Encendido), no se puede cancelar la opción. <ul style="list-style-type: none"> • Presione el botón de Ropa delicada y tejidos de punto (DELICATES/KNITS) una vez para avanzar al siguiente código.

CÓDIGO	EXPLICACIÓN
5. 00	RELOJ DE HORA DEL DÍA, MINUTOS
5. 00	Este es el Reloj de la hora del día (TIME-OF-DAY-CLOCK), para ajustar los minutos; seleccione de 0 a 59 minutos presionando el botón de Planchado permanente (PERM PRESS). <ul style="list-style-type: none"> • Presione el botón de Ropa delicada y tejidos de punto (DELICATES/KNITS) una vez para avanzar al siguiente código.
6. 00	RELOJ DE HORA DEL DÍA, HORAS NOTA: Usa un reloj de 24 hrs.
6. 00	Este es el Reloj de la hora del día (TIME-OF-DAY-CLOCK), para ajustar la hora; seleccione de 0 a 23 horas presionando el botón de Planchado permanente (PERM PRESS). <ul style="list-style-type: none"> • Presione el botón de Ropa delicada y tejidos de punto (DELICATES/KNITS) una vez para avanzar al siguiente código.

CÓDIGO	EXPLICACIÓN
r. 800	RPM PARA VELOCIDAD MÁXIMA DE EXPRIMIDO
r. 800	Esto puede seleccionarse de las siguientes velocidades de exprimido: 600 rpm, 750 rpm, 800 rpm, 1000 (se muestra 999) rpm. Vea las velocidades presionando el botón de Planchado permanente (PERM PRESS). Prefijado de fábrica para 800 rpm. <ul style="list-style-type: none"> • Presione el botón de Ropa delicada y tejidos de punto (DELICATES/KNITS) una vez para avanzar al siguiente código.
A1. 00	DURACIÓN DEL PRELAVADO
A1. 00	Este es el número de minutos para el Prelavado (PREWASH). Elija 0 para desactivar el prelavado, o seleccione entre 2 y 7 minutos presionando el botón de Planchado permanente (PERM PRESS). <ul style="list-style-type: none"> • Presione el botón de Ropa delicada y tejidos de punto (DELICATES/KNITS) una vez para avanzar al siguiente código.
A2. 03	DURACIÓN DEL EXPRIMIDO FINAL
A2. 03	Este es el número de minutos del exprimido final de alta velocidad. Elija de 3 a 8 minutos presionando el botón de Planchado permanente (PERM PRESS). <ul style="list-style-type: none"> • Presione el botón de Ropa delicada y tejidos de punto (DELICATES/KNITS) una vez para avanzar al siguiente código.

Si se selecciona el contador de ciclos (9 0C), lo siguiente es verdad:

1 00 Representa el número $1 \underline{02} = 200$ de ciclos en CIENTOS.

2 00 Representa el número $2 \underline{25} = 25$ de ciclos en UNIDADES.

TOTAL DE CICLOS = 225 ciclos

Esto es "SÓLO PARA VERSE" y no se puede borrar.

- Presione el botón de Ropa delicada y tejidos de punto (DELICATES/KNITS) una vez para avanzar al siguiente código.

CÓMO SALIR DEL MODO DE PROGRAMACIÓN

Desconecte la energía, abra la consola, vuelva a insertar el enchufe en AA1, cierre la consola y reconecte la energía.

Modo de diagnóstico de la lavadora

Para ingresar en el “Modo de diagnóstico de la lavadora”, ingrese primero en “Comience a operar la programación”. Después presione y sostenga el botón de Ciclo rápido (QUICK CYCLE) durante 1 segundo, mientras esté en el código de programación 6, en cualquier momento que esté presente un código de diagnóstico.

Al ingresar al modo de diagnóstico, destellará toda la pantalla, se anulará el ciclo que esté funcionando, se despejará el dinero que esté en el depósito y se despejarán los códigos de diagnóstico. Si continúa apareciendo un código de diagnóstico, deberá ser corregido antes de permitir que se elijan las opciones de ciclos siguientes.

Existen cinco procedimientos posibles para iniciar la actividad del ciclo en el modo de diagnóstico, a saber:

1. Ciclo de limpieza de la lavadora – Con la pantalla entera destellando, este ciclo comenzará al presionar el botón de Colores vivos (BRIGHTS).

Use el ciclo de Limpiar la lavadora (Washer Cleanout) una vez por mes, para mantener el interior de su lavadora fresco y limpio. Este ciclo usa un nivel de agua más alto. Úselo con blanqueador líquido con cloro para limpiar profundamente el interior de la lavadora. Este ciclo no debe interrumpirse.

IMPORTANTE: No coloque prendas ni otros artículos en la lavadora durante el ciclo de Limpiar la lavadora (Washer Cleanout). Use este ciclo con el tambor de lavado vacío.

2. Prueba general manual – Con la pantalla entera destellando, este ciclo comenzará al presionar el botón de Ropa blanca (WHITES). Este ciclo proporciona llenados, giros, desagües y movimiento del depósito del actuador con una duración más típica completa, permitiendo un análisis más exhaustivo del funcionamiento de la lavadora, incluyendo el funcionamiento del interruptor de presión.

3. Ciclo de exprimido rápido – Con la pantalla entera destellando, este ciclo comenzará al presionar el botón de Ropa de colores (COLORS). Este ciclo provee un método de desagüe y exprimido rápidos (sacar agua de la lavadora), si se desea.

4. Prueba general rápida – Con la pantalla entera destellando, este ciclo comenzará al presionar el botón de Ropa delicada y tejidos de punto (DELICATES/KNITS). Este ciclo provee una rápida verificación del buen funcionamiento de las válvulas de agua caliente y fría, los depósitos y el motor de la bomba, así como también el movimiento del depósito del actuador. Incluye también el funcionamiento del bloqueo de la puerta, desagüe y exprimido.

Al presionar el botón de Ciclo rápido (QUICK CYCLE) se saldrá del modo de diagnóstico y se anulará el ciclo de diagnóstico que esté en progreso.

CÓDIGOS DE DIAGNÓSTICO

Si ha ocurrido algo de lo siguiente, aparecerá el código adecuado de diagnóstico en la pantalla.

d9	Se ha detectado bajo voltaje durante 8 segundos.
F20	Llenado lento. La lavadora no detectará la entrada de agua durante 4 minutos. Fallo del interruptor de presión o no hay entrada de agua. Este código se registra como d8 en d7.
F22	No puede bloquearse la puerta. Hay un error en el bloqueo de la puerta o hay alguien tratando de poner en marcha la lavadora presionando el interruptor de la puerta con el dedo.

(Para cualquier otra pantalla, consulte al personal de servicio)

CÓDIGO DE ACCESO DE SERVICIO

Este código se puede ingresar para entrar al modo de servicio sin quitar la consola. Si la lavadora no está en modo de falla, deberá abrirse la puerta para continuar. El Código de acceso de servicio incluye 6 pasos y algunos deben realizarse en cierto tiempo. Usando solamente los tres botones inferiores (numerados con 1, 2 y 3 de izquierda a derecha):

1. Presione 2 durante más de 2 segundos pero menos de 10.
2. Presione 1 y 3 al mismo tiempo por 2 segundos, luego suéltelos. Muestra S 3.
3. Presione 1 y 2 al mismo tiempo, luego suéltelos. Muestra S 4.
4. Presione 2 y 3 al mismo tiempo, luego suéltelos. Muestra S 5.
5. Presione 2 y suéltelo. Se muestra “codE”.
6. Espere por lo menos 2 segundos pero no más de 15 segundos, luego presione en sucesión: 3, 2, 1, 3.

NOTA: Si el procedimiento del Código de acceso de servicio no se realiza correctamente, como se explica arriba, hay una demora de 15 segundos antes de que se pueda realizar nuevamente.

Cuando se utiliza el Código de acceso de servicio, hay 3 opciones para salir.

1. En el Código de programación 8, presione el botón N° 1 por 4 segundos.
2. Espere 2 minutos sin tocar ningún botón (sin que estén funcionando los modos de diagnóstico).
3. Apague la lavadora y luego vuelva a encenderla.

MODO DE AYUDA DE LA LAVADORA

Para ingresar a este modo, hay que presionar el botón de Planchado permanente (PERM PRESS) mientras está en el código de opción de programación 2.XX.

En el modo de ayuda, se muestran otros símbolos y elementos en la pantalla para reflejar el estado de varias entradas y salidas, como sigue:

Símbolo de la pantalla	Descripción
Wash (Lavado)	El agua se ha detectado en el nivel de lavado.
*	Existe un bajo voltaje (aproximadamente por debajo de los 90 V CA).
° (Círculo encima del dígito)	Puerta cerrada.
DOOR LOCKED (puerta bloqueada)	Puerta detectada como bloqueada.
COLD (frío)	Relé de agua fría encendido.
HOT (caliente)	Relé de agua caliente encendido.
OR (o)	Puerta desbloqueada.
AVAILABLE (disponible)	Bomba de desagüe Encendida (ON).

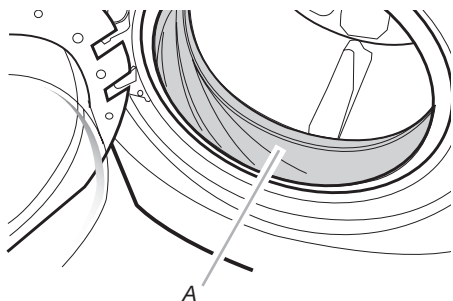
NOTA: Se suministra una hoja con datos técnicos pegada a la parte interior del panel frontal inferior, que incluye los códigos de fallos y un diagrama esquemático de la máquina.

CUIDADO DE LA LAVADORA

Cómo limpiar su lavadora

Limpeza del sello/fuelle de la puerta

1. Abra la puerta de la lavadora y quite cualquier ropa o artículo que estuviera dentro de la misma.
2. Inspeccione el sello/fuelle de color que se encuentra entre la abertura de la puerta y el tambor para detectar si hay áreas manchadas. Empuje el sello/fuelle hacia atrás para inspeccionar todas las áreas debajo del sello/fuelle y controle si hay objetos extraños.



A. Sello/Fuelle

3. Si se encuentran áreas manchadas en el sello/fuelle, límpielas usando el siguiente procedimiento:
 - a) Mezcle una solución diluida utilizando 177 mL (3/4 taza) de blanqueador líquido con cloro y 3,8 L (1 gal.) de agua tibia del grifo.
 - b) Limpie el área del sello/fuelle con la solución diluida y un paño húmedo.
 - c) Déjelas reposar durante 5 minutos.
 - d) Limpie el área meticulosamente con un paño seco y deje que el interior de la lavadora se seque al aire con la puerta abierta.

IMPORTANTE:

- Use guantes de goma cuando limpie por períodos prolongados.
- Vea las instrucciones de uso adecuado provistas por el fabricante del blanqueador.

Procedimiento para el mantenimiento de la lavadora

Esta lavadora tiene un ciclo especial que utiliza mayores volúmenes de agua junto con blanqueador líquido con cloro para limpiar meticulosamente el interior de su lavadora.

NOTAS:

- Lea estas instrucciones completamente antes de comenzar el proceso de limpieza.
- Si fuera necesario, el ciclo de limpieza puede ser interrumpido al presionar el botón de Ciclo rápido (QUICK CYCLE) dos veces. Sin embargo, el ciclo no se detendrá inmediatamente. La lavadora continuará con varios pasos de enjuague y desagüe para asegurar que se haya enjuagado todo el blanqueador de la lavadora.

Comience el procedimiento

1. Abra la puerta de la lavadora y quite cualquier ropa o artículo que estuviera dentro de la misma.
2. **Use blanqueador líquido con cloro:**
Abra el cajón del depósito y agregue inmediatamente 160 mL (2/3 taza) de blanqueador líquido con cloro en el compartimiento del blanqueador.

NOTA: No agregue ningún detergente a este ciclo. El uso de más de 160 mL (2/3 taza) de blanqueador ocasionará daños al producto con el tiempo.

3. Cierre la puerta de la lavadora y la gaveta del depósito.
4. Para poner a funcionar el ciclo de Limpiar la lavadora (Clean Washer), primero ingrese “Iniciar la programación del funcionamiento” (Start Operating Set-up). Luego presione y sostenga el botón de Ciclo rápido (QUICK CYCLE) durante 1 segundo. Cuando esté destellando toda la pantalla, presione Brillantes (BRIGHTS).

NOTA: El tambor girará, la puerta se destrabará, se trabará nuevamente y después continuará el ciclo.

- La lavadora no se llenará, pero el tambor rotará mientras la lavadora hace un ciclo corto de detección. Esto llevará aproximadamente 3 minutos.
5. El ciclo determinará si hay ropa u otros artículos en la lavadora.
 - a) Si no se detectan artículos en la lavadora, ésta procederá al paso 7.
 - b) Si se detectan artículos en la lavadora, la pantalla mostrará “rL” o “F-34”. La puerta se desbloqueará entonces.
 - Presione Ciclo rápido (QUICK CYCLE), para anular el código de fallo. Después repita los pasos 1, 3 y 4 para comenzar nuevamente el ciclo.
 6. Una vez que haya comenzado el ciclo, deje que el ciclo finalice.
 7. Una vez que haya finalizado el ciclo, deje la puerta levemente abierta para que haya una mejor ventilación y secado del interior de la lavadora.

Haga siempre lo siguiente para mantener el frescor de la lavadora:

- Use solamente un detergente para lavadoras automáticas.
- Deje la puerta levemente abierta después de cada ciclo para permitir una mejor ventilación y secado del interior de la lavadora.
- Limpie la lavadora cada mes usando el “Procedimiento de mantenimiento para la lavadora”, con 160 mL (2/3 taza) de blanqueador líquido con cloro.
- Si el procedimiento no mejora suficientemente el frescor de la lavadora, sírvase evaluar su instalación y las condiciones de uso para detectar otras causas.

Limpeza externa

Use un paño suave y húmedo o una esponja para limpiar cualquier derrame. De vez en cuando, limpie el exterior de su lavadora para que se vea como nueva. Use jabón suave y agua. No use productos abrasivos.

Limpeza del cajón del depósito

El cajón del depósito es desmontable para facilitar la limpieza.

1. Destrabe la gaveta del depósito presionando la palanca de desenganche. Quite el cajón.
2. Quite los insertos (el sifón de los compartimientos del suavizante y del blanqueador).
3. Lave las piezas en el agua del grifo.

NOTA: No lave los componentes en el lavavajillas.
4. Vuelva a colocar los insertos y coloque nuevamente el depósito en el cajón.

Mangueras de entrada de agua

Reemplace las mangueras de entrada después de 5 años de uso para reducir el riesgo de que fallen. Inspeccione periódicamente y cambie las mangueras si se hallan protuberancias, torceduras, cortes, desgaste o pérdidas de agua.

Cuando reemplace las mangueras de entrada del agua, anote la fecha de reposición.

AYUDA O SERVICIO TÉCNICO

Antes de solicitar ayuda o servicio técnico, por favor consulte la sección "Solución de problemas". Esto le podría ahorrar el costo de una visita de servicio técnico. Si considera que aún necesita ayuda, póngase en contacto con el establecimiento distribuidor donde ha adquirido el electrodoméstico o con una compañía de servicio técnico designada por Whirlpool.

Cuando llame, tenga a mano la fecha de compra y el número completo del modelo y de la serie de su electrodoméstico. Esta información nos ayudará a atender mejor a su pedido.

Accesorios

Realce su lavadora con estos accesorios de calidad superior. Para ver más artículos de alta calidad, o para hacer un pedido, contacte a su distribuidor autorizado de Whirlpool.

Número de parte	Accesorio
8212526	Bandeja de goteo para lavadora, encaja debajo de la lavadora completa
31682	Limpiador multiuso para electrodomésticos
1903WH	Carro de almacenamiento para artículos de lavandería

Whirlpool Corporation, Benton Harbor, Michigan 49022, USA.

Manufacturer site: Whirlpool Mexico S.A. de C.V., Antigua Carretera a Roma Km 9,
Col. El Milagro, Apodaca, Nuevo León, C.P. 66634, Mexico.

EU representative: Whirlpool UK Ltd, Croydon, CR9 4RY, UK
Bauknecht Hausgeräte GmbH, D-73614 Schorndorf

SICUREZZA DELLA LAVATRICE

La vostra sicurezza e la sicurezza degli altri sono molto importanti.

In questo manuale sono contenuti molti importanti messaggi di sicurezza e sull'elettrodomestico. Leggere e seguire sempre tutti i messaggi di sicurezza.



Questo è il simbolo di pericolo per la sicurezza.

Questo simbolo avverte della presenza di possibili pericoli che possono uccidere o ferire voi o altre persone.

Tutti i messaggi di sicurezza seguiranno il simbolo di pericolo per la sicurezza nonché la parola "PERICOLO" o la parola "AVVERTENZA".

Queste parole significano:

⚠ PERICOLO

Esiste il pericolo di morte o grave infortunio se non si seguono immediatamente le istruzioni.

⚠ AVVERTENZA

Esiste il pericolo di morte o grave infortunio se non si seguono le istruzioni.

Tutti i messaggi di sicurezza indicano quale sia il possibile pericolo, come ridurre la possibilità di infortunio e cosa può capitare se non si seguono le istruzioni.

ISTRUZIONI IMPORTANTI DI SICUREZZA

AVVERTENZA: per ridurre il rischio d'incendi, scosse elettriche o lesioni personali durante l'utilizzo della lavatrice, osservare le precauzioni di base, tra cui:

- In alcune condizioni, in sistemi ad acqua calda non utilizzati da almeno due settimane, può prodursi gas idrogeno. L'IDROGENO ALLO STATO GASSOSO È ESPLOSIVO. Se il sistema ad acqua calda non è stato utilizzato per un periodo, prima di utilizzare la lavatrice, aprire tutti i rubinetti dell'acqua calda e lasciar scorrere l'acqua per alcuni minuti. In questo modo l'idrogeno accumulato viene rilasciato. Poiché il gas è infiammabile, non fumare, né utilizzare fiamme libere.
- Rimuovere lo sportello prima di smaltire la lavatrice o di rimuoverla dal servizio.
- Non installare o immagazzinare la lavatrice esposta agli agenti atmosferici.
- Non riparare o sostituire parti della lavatrice, né tentare di prestare assistenza se non specificamente indicato nel presente manuale o nelle istruzioni pubblicate relative alle riparazioni eseguibili dall'utente, che devono essere adeguatamente comprese e che l'utente è in grado di eseguire.
- Per le istruzioni relative alla messa a terra, consultare i "Requisiti elettrici".

CONSERVARE LE PRESENTI ISTRUZIONI

SMALTIMENTO DELLA LAVATRICE



Questo elettrodomestico è stato contrassegnato in ottemperanza alla Direttiva Europea 2002/ 96/ EC sulle Attrezzature Elettriche ed Elettroniche da Smaltire (WEEE).

Assicurarsi che questo prodotto venga eliminato correttamente, in modo da evitare possibili conseguenze dannose per l'ambiente e la salute umana, che potrebbero altrimenti sorgere dalla gestione errata dello smaltimento dell'elettrodomestico stesso.

Il simbolo sul prodotto, o sui documenti che lo accompagnano, indica che questo elettrodomestico non deve essere trattato come un rifiuto domestico. Deve, al contrario, essere consegnato al punto di raccolta previsto per il riciclaggio di attrezzature elettriche ed elettroniche.

L'eliminazione deve essere eseguita in ottemperanza alle norme ambientali sullo smaltimento dei rifiuti.

Per ulteriori informazioni dettagliate sul trattamento, il recupero ed il riciclaggio di questo prodotto, si prega di contattare l'ufficio municipale più vicino, il servizio di smaltimento dei rifiuti domestici o il negozio dove è stato acquistato questo prodotto.

Informazioni sul modello

3L – Voltaggio 230v/50Hz codice spina
CHW – Lavatrice orizzontale commerciale
91 – Numero di tipo di modello

REQUISITI D'INSTALLAZIONE

Attrezzi e componenti

Raccogliere gli attrezzi e i componenti necessari prima di iniziare l'installazione. Le parti fornite si trovano nel cestello della lavatrice.

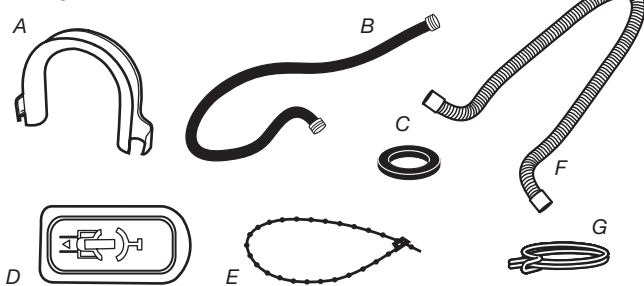
Attrezzi necessari per il collegamento dei tubi dell'acqua:

- Pinze (con apertura a 39,5 mm [$1\frac{5}{16}$ "])
- Torcia (opzionale)

Attrezzi necessari per l'installazione

- Chiavi aperte da 1/2" e 9/16"
- Cacciavite di sicurezza Torx®† T-20
- 1/4" chiave per dadi
- Livella
- Blocchetto in legno
- Righello o centimetro

Componenti in dotazione



- A. Forma a U per tubo
B. Tubi per l'acqua (2)
C. Rondelle per i tubi (4)
D. Tappo per viti di trasporto (4)
E. Fascette
F. Tubo di scarico
G. Fascetta di serraggio

Componenti alternativi

L'installazione può richiedere componenti aggiuntivi. Se siete interessati ad acquistare uno degli articoli elencati, contattate il distributore autorizzato Whirlpool.

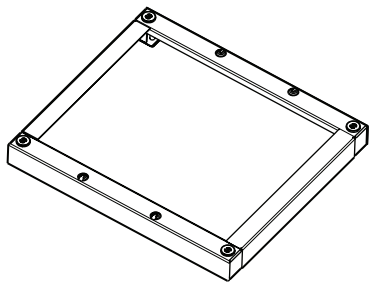
In caso di	Occorre acquistare
Vaschetta di lavaggio o colonna a un'altezza superiore a 2,4 m (96")	Sistema di pompaggio a pozzo di scarico (se non disponibile)
Fogna sopraelevata	Vasca di scarico standard o lavandino di servizio da 76 l (20 gal.), alto 762 mm (30") e pompa per pozzo di scarico (disponibile presso i distributori di prodotti per idraulica)
Scarico a pavimento	Sifone, numero parte 285320; tubo di scarico aggiuntivo, numero parte 8318155; e kit di collegamento, numero parte 280129
Tubo di scarico troppo corto	Kit prolunga per il tubo di scarico da 1,2 m (4 piedi), numero parte 285834

†® TORX è marchio registrato di Saturn Fasteners, Inc.

Opzioni

Piedistallo

Per questa lavatrice i piedistalli possono essere acquistati separatamente. Il piedistallo si aggiungerà all'altezza totale della lavatrice.



Piedistallo opzionale

Altezza del piedistallo	Altezza approssimativa con la lavatrice	Colore	Numero parte
(73 mm) 2 ⁷ / ₈ "	(1207 mm) 47,5"	Bianco	WHP0400VW

Requisiti di posizionamento

La scelta della posizione adatta per la lavatrice ne migliora le prestazioni e riduce al minimo il possibile spostamento.

La lavatrice può essere installata sotto un banco personalizzato o in un seminterrato, una sala lavanderia o in un'area incassata. Vedere "Sistema di scarico".

Considerate inoltre lo spazio necessario per un eventuale altro elettrodomestico. L'utente è responsabile di una corretta installazione.

È necessario disporre di quanto segue:

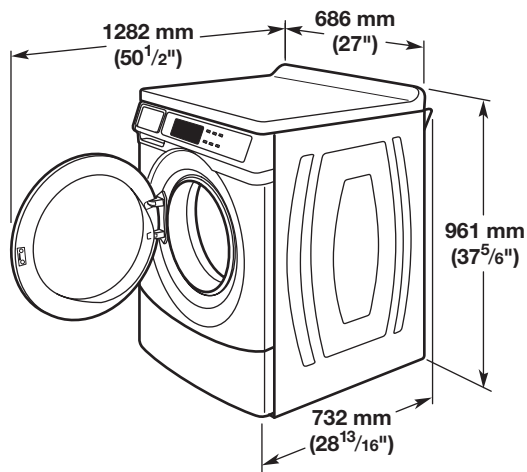
- Uno scaldabagno che eroghi acqua alla lavatrice a una temperatura di 60 °C (140 °F).
- Una presa di terra situata a non più di 1,8 metri (6 piedi) dal punto in cui il cavo di alimentazione si collega al retro della lavatrice. Consultare il capitolo "Requisiti elettrici".
- Rubinetti per l'acqua calda e fredda ubicati a una distanza non superiore a 1,2 m (4 piedi) dalle valvole per l'acqua calda e fredda e pressione idrica compresa nell'intervallo 137,9–689,6 kPa (20–100 psi).
- Un pavimento piatto con un'inclinazione massima di 25 mm (1") sotto l'intero elettrodomestico. Non è raccomandata l'installazione della lavatrice su pavimenti soffici, come tappeti, o pavimenti con supporto in schiuma.
- Un pavimento robusto e solido in grado di sostenere la lavatrice con un peso totale (acqua e carico) di 180 kg (400 libbre).

Non utilizzare l'asciugatrice con temperature inferiori a 0 °C (32 °F). Possono rimanere all'interno della lavatrice piccole quantità d'acqua che possono essere dannose a basse temperature.

Spazi d'installazione

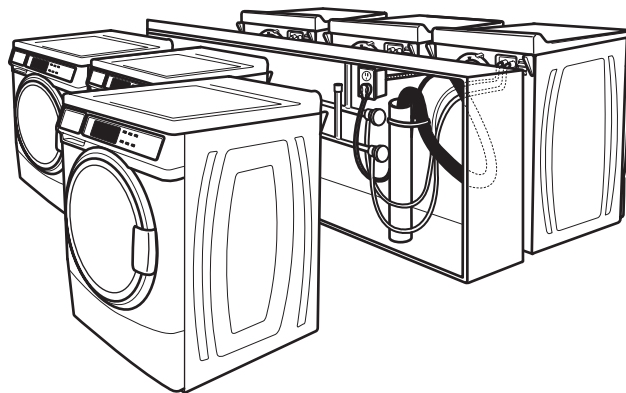
- L'ubicazione deve consentire l'apertura completa dello sportello della lavatrice.
- Considerare un ulteriore spazio per facilitare l'installazione e la manutenzione. Lo sportello si apre a oltre 90° e non può essere montato al contrario.
- Considerare lo spazio per le modanature della parete, della porta e del pavimento.
- Si consiglia inoltre di considerare uno spazio di 25 mm (1") su tutti i lati della lavatrice per ridurre il trasferimento del rumore e di considerare lo spazio per un eventuale secondo elettrodomestico.
- Si consideri inoltre lo spazio necessario ad un eventuale altro elettrodomestico.
- La rimozione della spina di alimentazione fornisce la funzione di controllo per l'arresto di emergenza. Quando è installata, la spina deve essere visibile e accessibile per poterla scollegare dall'alimentazione.

Dimensioni della lavatrice



Lo sportello non può essere montato al contrario.

Sotto la paratia divisoria deve essere fornito uno scarico a pavimento. Le paratie divisorie prefabbricate dotate di prese elettriche, linee per l'acqua e strutture di scarico vanno utilizzate solo ove previsto dalle normative locali.



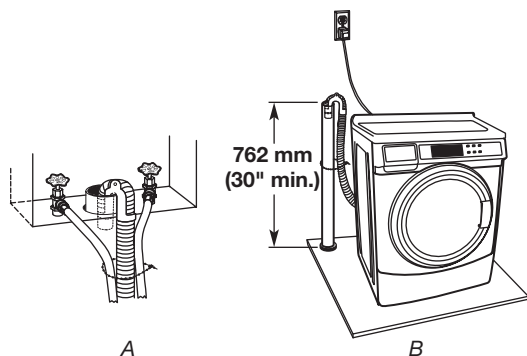
Sistema di scarico

È possibile installare la lavatrice utilizzando il sistema di scarico a colonna (a pavimento o a parete) quello con vaschetta di lavaggio, oppure quello a pavimento. Selezionare il metodo di installazione del tubo di scarico adeguato. Vedere "Attrezzi e componenti".

Colonna di scarico, a pavimento o a parete (viste A e B)

La colonna di scarico richiede un tubo verticale con diametro minimo di 50 mm (2"). La capacità minima di deflusso deve essere non inferiore a 64 litri al minuto (17 galloni/min).

L'estremità superiore del tubo verticale deve avere un'altezza di almeno 762 mm (30") e non più di 2,4 m (96") a partire dai piedi dell'elettrodomestico.



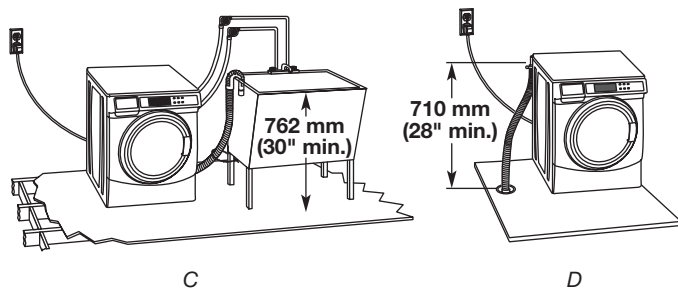
Sistema di scarico a vaschetta di lavaggio (vista C)

La vaschetta di scarico deve avere una capacità di almeno 76 l (20 gal.) La parte più alta della vaschetta deve trovarsi ad almeno 762 mm (30") dal pavimento.

Sistema di scarico a pavimento (vista D)

Il sistema di scarico a pavimento richiede un sifone acquistabile separatamente. Vedere "Attrezzi e componenti".

Il sifone deve trovarsi ad almeno 710 mm (28") dal fondo della lavatrice. Possono essere necessari altri tubi.



Requisiti elettrici

⚠ AVVERTENZA



Voltaggio Pericoloso

⚠ AVVERTENZA



Pericolo di scossa elettrica

Collegare a una presa con messa a terra.

Evitare l'utilizzo di adattatori.

Evitare l'utilizzo di prolungh.

La mancata osservanza di queste istruzioni può causare morte, incendi o scosse elettriche.

- È necessaria alimentazione elettrica a 220–240 V, 50 Hz con fusibili. Si consiglia di utilizzare un interruttore di circuito o un fusibile di ritardo da 10–16 A.
- Questa lavatrice è dotata di un cavo di alimentazione predisposto per la messa a terra.
- Per ridurre al minimo i pericoli di scosse elettriche, occorre collegare il cavo a una presa dotata di messa a terra, in ottemperanza alle ordinanze e alle normative locali. Se non è disponibile una presa corrispondente, è responsabilità del personale e obbligo del cliente far installare una presa correttamente messa a terra da un elettricista qualificato.
- Se le normative lo consentono e se viene utilizzato un ulteriore cavo di collegamento a terra, si raccomanda di consultare un tecnico qualificato che verifichi l'adeguatezza del percorso di collegamento a terra.
- Se il cavo di alimentazione è danneggiato, deve essere sostituito dal produttore, da un suo agente di servizio, o da altre persone qualificate al fine di evitare pericoli.
- Non mettere a terra verso un tubo di gas.
- Verificare con un elettricista esperto l'adeguata messa a terra della lavatrice.

- Non utilizzare fusibili nel circuito neutro o di terra.

ISTRUZIONI PER LA MESSA A TERRA

Questa lavatrice deve avere una messa a terra. In caso di anomalia o di guasto, la messa a terra riduce il rischio di scosse elettriche offrendo alla corrente elettrica un percorso alternativo con una resistenza minima. Questa lavatrice è dotata di un cavo fornito di un conduttore ed una spina per la messa a terra. La spina deve essere inserita nella presa di corrente giusta ben installata e collegata alla messa a terra in conformità con i codici e le normative locali.

ATTENZIONE: Una connessione inadeguata del filo della messa a terra può causare un rischio di scossa elettrica. In caso di dubbi sull'adeguatezza della messa a terra della lavatrice, chiedere ad un elettricista o ad un tecnico.

Non modificare la spina fornita con l'apparecchio - se non entra nella presa, far installare la presa adeguata da un tecnico qualificato.

NOTA: Standard sulla sicurezza elettrica: Il produttore ha scelto di essere conforme con gli standard IEC/EN-60335 in quanto ritenuti i più appropriati per questo prodotto.

- Livello di pressione sonora, Lpa: 58 dbA (Kpa: +/- 3,6 dbA).

ISTRUZIONI D'INSTALLAZIONE

Rimozione del sistema di trasporto

AVVERTENZA

Rischio di peso eccessivo

Spostare o installare la lavatrice almeno in due.

Altrimenti si possono causare lesioni alla schiena o altre ferite.

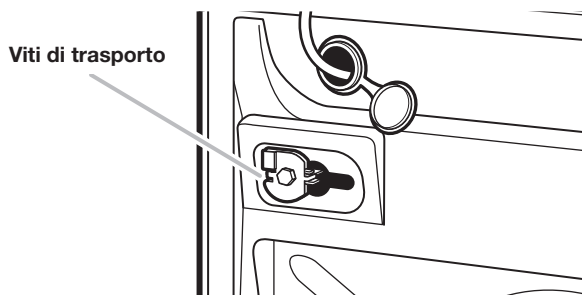
Peso massimo imballato:
111 kg (244,71 lb)

Peso massimo senza imballaggio:
107 kg (235,89 lb)

IMPORTANTE: posizionare la lavatrice in modo che la parte posteriore della lavatrice si trovi a circa 900 mm (3 piedi) dalla sua ubicazione finale.

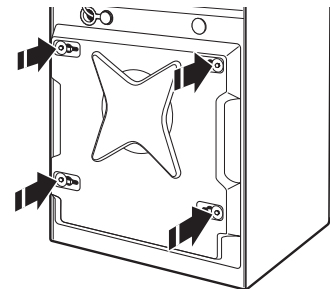
Sono presenti 4 viti di trasporto nel pannello posteriore della lavatrice che sostengono il sistema di sospensione durante il trasporto. Prima della rimozione questi bulloni mantengono inoltre il cavo di alimentazione all'interno della lavatrice.

1. Durante la rimozione delle viti di trasporto tenere la lavatrice in posizione verticale.

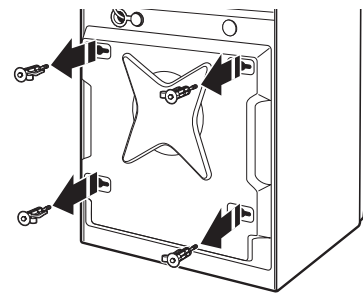


Bullone d'imballaggio con distanziatore di plastica

2. Con una chiave da 1/2", allentare ciascun bullone.



3. Una volta allentato, portarlo al centro del foro ed estrarlo completamente, eliminando anche il distanziatore in plastica che lo ricopre.



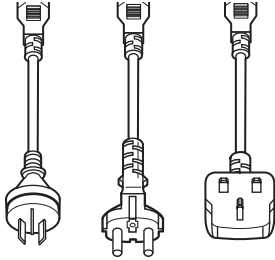
4. Dopo la rimozione, eliminare bulloni e distanziatori. Far passare la presa del cavo di alimentazione nell'apertura sulla destra del pannello posteriore e farla fuoriuscire dall'apertura sulla destra del pannello posteriore e chiudere i fori applicando i tappi in dotazione. Non tirare l'estremità del cavo di alimentazione dalla parte del foro destro.

5. Chiudere i fori con i 4 tappi per i bulloni di trasporto.

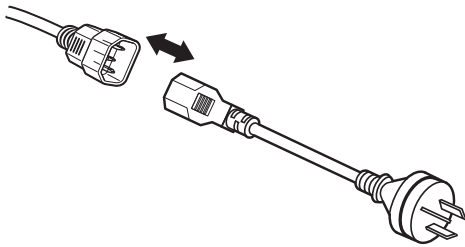
NOTA: se la lavatrice dovrà essere trasportata in una fase successiva, contattare il distributore del prodotto o l'installatore. Per evitare la sospensione e danni strutturali, la lavatrice deve essere preparata per essere riposizionata da un professionista esperto.

Installazione del cavo di alimentazione

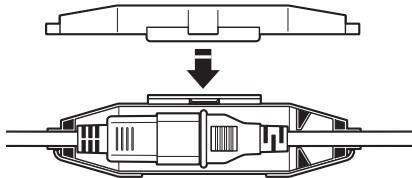
1. Scegliere una spina adeguata alla presa elettrica.



2. Montare la spina all'estremità del cavo di alimentazione.



3. Fissare il cavo di alimentazione fissando la connessione sul fermo del cavo.



4. Sistemare il coperchio del fermo del cavo ed esercitare pressione fino a quando non scatta.
5. Verificare che il cavo di alimentazione sia stato collegato correttamente al fermo e che quest'ultimo si blocchi correttamente.

Collegamento dei tubi

L'allaccio all'impianto idrico va effettuato in conformità con tutte le normative statali e locali. Non riutilizzare tubi vecchi. Inserire le rondelle piatte nuove (in dotazione) in ciascuna estremità dei tubi d'ingresso. Inserire con vigore le rondelle nei raccordi.



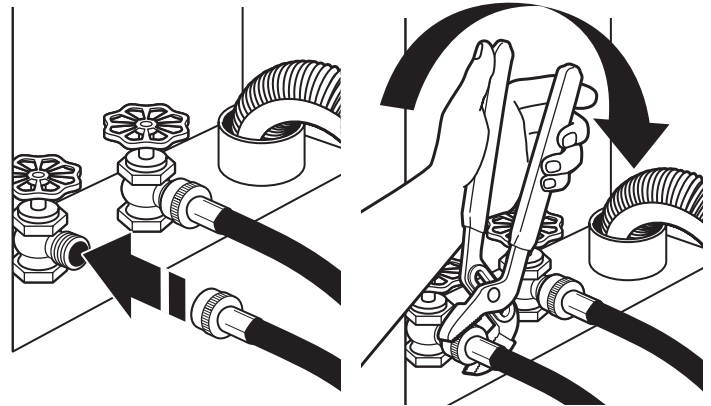
A. Raccordo
B. Rondella

- Utilizzare i nuovi tubi in dotazione con la lavatrice. Non riutilizzare vecchi tubi.

Collegamento dei tubi d'ingresso ai rubinetti dell'acqua

Accertarsi che il cestello della lavatrice sia vuoto.

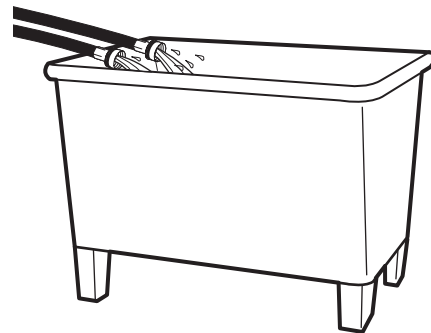
1. Collegare il tubo al rubinetto dell'acqua calda. Avvitarlo sul raccordo manualmente, fino a quando non si è fissato alla lavatrice.
2. Collegare il tubo al rubinetto dell'acqua fredda. Avvitarlo sul raccordo manualmente, fino a quando non si è fissato alla lavatrice.
3. Usare una pinza per avvitarlo di altri due terzi di giro ciascun raccordo.



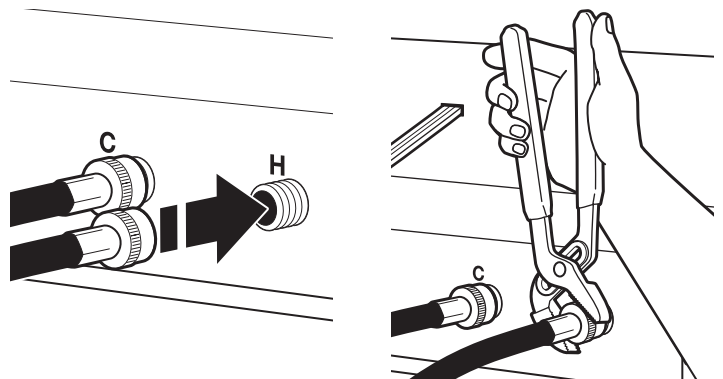
NOTA: non serrare eccessivamente, né utilizzare nastro o sigillanti sul rubinetto. I tubi possono risultarne danneggiati.

Pulizia delle linee dell'acqua

- Far scorrere acqua attraverso i rubinetti e i tubi, nella vaschetta di lavaggio, nel tubo di scarico o in un secchio per ripulire le linee da particelle che possono intasarsi nei filtri della valvole di ingresso.
- Verificare la temperatura dell'acqua per accertarsi che il tubo dell'acqua calda sia connesso al rubinetto giusto, e ripetere il controllo per il rubinetto dell'acqua fredda.



Collegare i tubi per verificare le valvole sulla lavatrice



C. Ingresso acqua fredda
H. Ingresso acqua calda

1. Collegare il flessibile dell'acqua calda alla valvola di arresto sulla valvola di ingresso dell'acqua calda (H) della lavatrice. Avvitarlo sul raccordo manualmente, fino a quando non si è fissato alla valvola di arresto.

2. Collegare il flessibile dell'acqua fredda alla valvola di arresto sulla valvola di ingresso dell'acqua fredda (C) della lavatrice. Avviatarlo sul raccordo manualmente, fino a quando non si è fissato alla valvola di arresto.
3. Con le pinze, serrare i raccordi di due terzi di giro.

NOTA: non serrare eccessivamente. Il raccordo può risultarne danneggiato.
4. Aprire completamente i rubinetti per controllare la presenza di perdite.



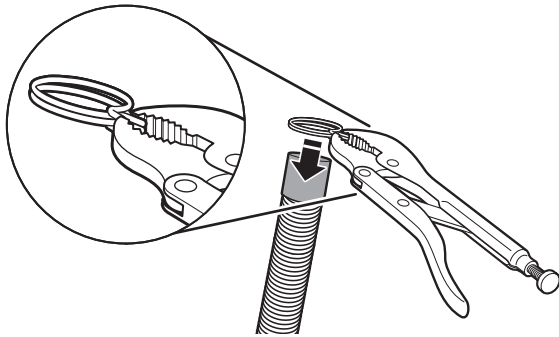
NOTA: sostituire tubi dopo 5 anni per ridurre il rischio di problemi al tubo. Registrare le date di installazione o di sostituzione dei tubi sugli stessi, per riferimenti futuri.

Ispezionare periodicamente e sostituire i tubi in caso di protuberanze, attorcigliamenti, tagli, usura o perdite.

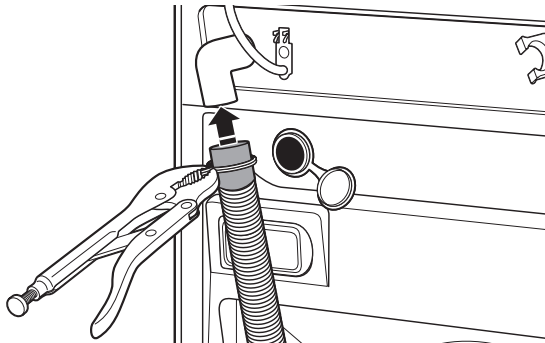
Collegamento del tubo di scarico

Rimuovere il tubo di scarico dal cestello della lavatrice

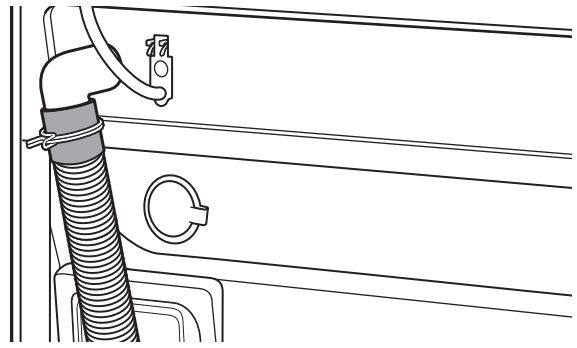
1. Usando le pinze a scatto, premere insieme le linguette della fascetta di serraggio ed inserire sull'estremità del tubo di scarico.



2. Collegare il tubo di scarico alla lavatrice.



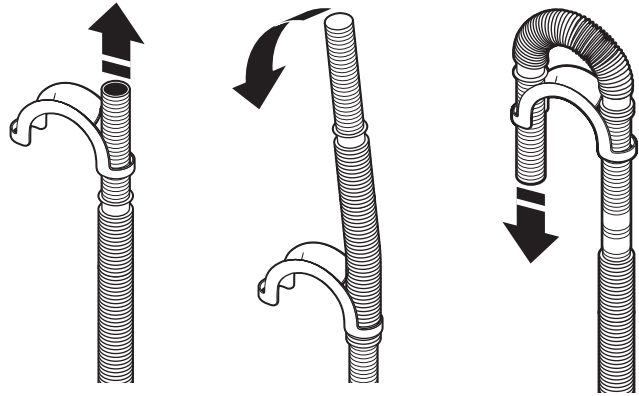
3. Una volta collegato il tubo di scarico, staccare le pinze.



Il tubo di scarico della lavatrice può essere installato usando uno scarico a pavimento, una colonna di scarico a muro, una colonna di scarico a pavimento o un cestello di scarico.

Scarico con vaschetta di lavaggio o a colonna

Collegare la forma del tubo di scarico al tubo di scarico corrugato.



Per prevenire che l'acqua rientri nella lavatrice:

- Non raddrizzare il tubo di scarico, non forzare troppo tubo di scarico nella colonna di scarico. Il tubo devono essere fissi, tuttavia lenti a tal punto da consentire uno spazio per l'aria.
- Non lasciare troppo tubo sul fondo della vaschetta di lavaggio.

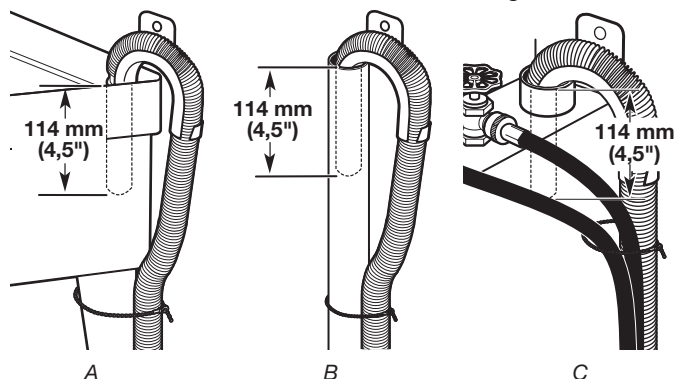
Scarico a pavimento

Possono essere necessari pezzi di ricambio. Vedere scarico a pavimento in "Attrezzi e componenti".

Fissaggio del tubo di scarico

Il tubo di scarico deve essere fissato per impedirne il movimento durante lo scarico dell'acqua. Se il tubo si dovesse spostare, l'acqua potrebbe allagare il pavimento.

1. Sistemare il cavo di alimentazione sulla parte superiore della lavatrice.
2. Spostare la lavatrice nella posizione finale.
3. Sistemare il tubo di scarico nella vaschetta di lavaggio o nella colonna di scarico come illustrato. Vedere le figure A e B.



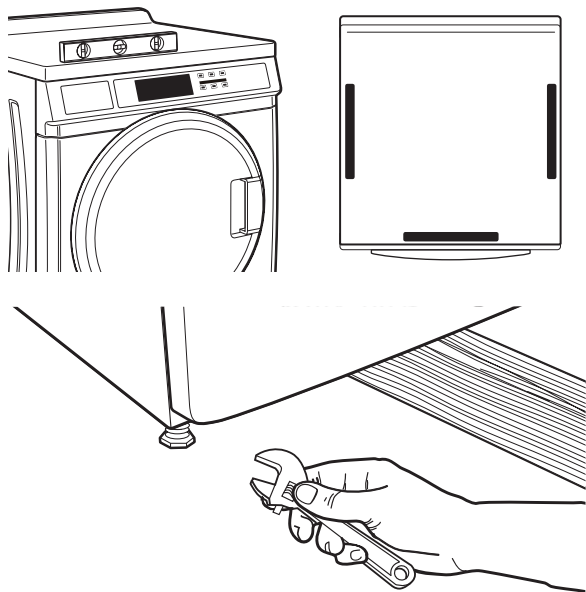
NOTAS:

- Non forzare una quantità eccessiva del tubo di scarico nella parte posteriore della lavatrice.
- Per evitare il risucchio, non sigillare o inserire più di 114 mm (4,5") di tubo di scarico nella conduttura di scarico o nel tubo verticale.
- Se i rubinetti della lavatrice e la colonna di scarico sono incassati, poggiare l'estremità uncinata del tubo di scarico nella colonna, come illustrato. Vedere la figura C.

Livellamento della lavatrice

Il livellamento corretto della lavatrice evita rumore e vibrazioni eccessivi.

1. Verificare che la lavatrice sia a livello con una livella, prima da lato a lato e poi dalla parte anteriore a quella posteriore.



Se la lavatrice si trova contro la parete staccarla lievemente prima di inclinarla all'indietro. Se la lavatrice non è livellata, puntellare prima la parte anteriore con un blocchetto di legno e regolare i piedini secondo necessità, quindi spostare il blocco di legno per puntellare la parte posteriore e ripetere l'operazione di regolazione. Ripetere l'operazione fino a quando la lavatrice non è a livello.

2. Verificare che i quattro piedini siano stabili e che poggino sul pavimento. Verificare che la lavatrice si livella (utilizzare una livella).
3. Una volta a livello, utilizzare una chiave aperta da 9/16" per serrare i dadi dei piedini contro il telaio della lavatrice.
IMPORTANTE: serrare tutti i quattro piedini. Se i dadi non sono serrati contro il telaio, la lavatrice può vibrare.
4. Quando spinta dalle estremità superiori la lavatrice non deve compiere movimenti verso la parte posteriore, laterali o diagonali.
5. Spostare la lavatrice nella posizione finale.
6. Verificare che la lavatrice sia a livello.

Installazione completa

1. Verificare i requisiti elettrici. Assicurarsi di disporre di un impianto elettrico adeguato e di un'adeguata messa a terra. Consultare i "Requisiti elettrici".
2. Accertarsi di aver installato tutti i componenti. Se avanza un componente, ripetere il procedimento per capire quale passo sia stato saltato.
3. Accertarsi di avere tutti gli attrezzi a disposizione.
4. Smaltire o riciclare il materiale d'imballaggio.
5. Verificare che i rubinetti dell'acqua siano aperti.
6. Verificare l'assenza di perdite dai rubinetti e dai flessibili.

⚠ AVVERTENZA



Pericolo di scossa elettrica

Collegare a una presa con messa a terra.

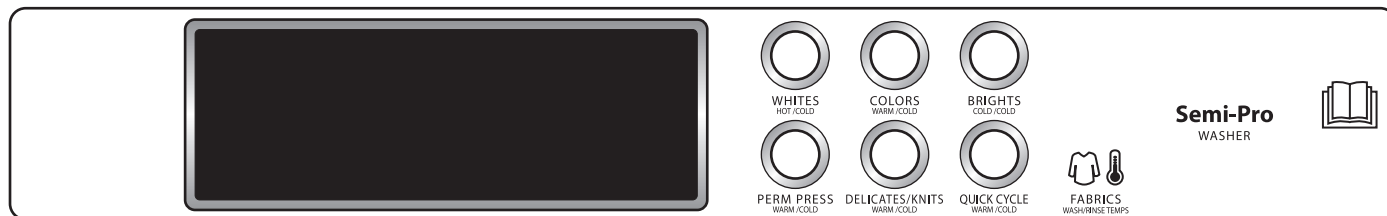
Evitare l'utilizzo di adattatori.

Evitare l'utilizzo di prolunghe.

La mancata osservanza di queste istruzioni può causare morte, incendi o scosse elettriche.

7. Collegare a una presa con messa a terra.
8. Per provare e pulire la lavatrice, misurare metà della quantità di detersivo consigliata dal produttore per un carico medio. Versare il detersivo nell'apposita vaschetta. Selezionare un ciclo qualsiasi e lasciare in funzione la lavatrice.

ISTRUZIONI PER L'UTENTE E DI CONFIGURAZIONE



1. Prima di selezionare il ciclo, chiudere lo sportello.
2. Premere il tasto Fabric setting (Scelta tessuto) per il ciclo di lavaggio desiderato. Una volta avviato il ciclo, saranno visualizzati l'ora e il tempo mancante.

Informazioni di carattere generale

Sul display viene visualizzato il testo a scorrimento "out of order" (guasta) seguito da un codice di guasto

Questa condizione indica che la lavatrice non è operativa.

Sul display viene visualizzato "0 Minutes" (0 minuti)

Questa condizione indica che la lavatrice non può essere messa in funzione. Se uno degli interruttori sullo sportello si guasta, sostituirlo prima di ripristinare il normale funzionamento.

Avvio freddo (dopo il primo uso)

La lavatrice viene programmata in fabbrica nel modo seguente:

- Periodo di lavaggio 11 minuti
- 3 risciacqui (risciacquo aggiuntivo non attivato)

Avvio caldo (dopo guasto alimentazione)

Qualche secondo dopo il ripristino dell'alimentazione, quando è mancata la corrente ed era in corso un ciclo di lavaggio, sul display lampeggia "RESELECT CYCLE" (Selezionare nuovamente il ciclo), che indica la necessità di premere un tasto per riavviare la lavatrice.

Procedure di configurazione dei comandi

IMPORTANTE: leggere tutte le istruzioni prima di eseguire le operazioni.

È possibile accedere alla procedura di configurazione utilizzando un codice di accesso di servizio (vedere la sezione "Codice di accesso di servizio").

La lavatrice è ora in modalità di configurazione. I tasti di impostazione del tessuto inferiori e il display digitale vengono usati per configurare i comandi. Il display può contenere 4 numeri e/o lettere e una virgola decimale. Sono utilizzati per indicare i codici di configurazione e i valori relativi disponibili per la programmazione della lavatrice.

Uso dei tasti per la programmazione dei comandi

1. Il tasto PERM PRESS (Pressione permanente) è utilizzato per regolare i valori associati ai codici di configurazione. Premendo questo tasto il valore sarà modificato a incrementi. La regolazione rapida è possibile tenendo premuto il tasto.
2. Con il tasto DELICATES/KNITS (Delicati) è possibile avanzare tra i codici di configurazione. Premendo il tasto si avanza al successivo codice di configurazione disponibile. Tenendo premuto il tasto si avanza automaticamente tra i codici di configurazione alla velocità di 1 al secondo.
3. Il tasto QUICK CYCLE (ciclo rapido) viene utilizzato per selezionare o deselegionare le opzioni.

Avvio della configurazione operativa

Prima di procedere, è opportuno notare che, nonostante tutte le opzioni disponibili, l'utente può solo scegliere di disimballare la nuova lavatrice semi-pro, allacciarla, collegarla e metterla in funzione. Le lavatrici sono impostate in fabbrica con periodo di lavaggio di 11 minuti e 3 risciacqui (senza risciacquo aggiuntivo).

Codici di configurazione

- Il tasto DELICATES/KNITS (Delicati) ha la funzione di avanzare di codice in codice.
- Il tasto PERM PRESS (Pressione permanente) modifica il valore del codice.
- Il tasto QUICK CYCLE (ciclo rapido) viene usato per selezionare o deselezionare le opzioni.

Il codice di configurazione è indicato dal carattere o dai due caratteri sulla sinistra. Il codice di configurazione è indicato dai due o tre caratteri sulla destra.

CODICE	SPIEGAZIONE
711	LUNGHEZZA LAVAGGIO
711	Questo rappresenta il numero di minuti di LAVAGGIO. Il numero preimpostato in fabbrica corrisponde a 11 minuti. Avanzare da 9–17 minuti premendo il tasto PERM PRESS (Pressione permanente). <ul style="list-style-type: none"> • Premere il tasto DELICATES/KNITS (Delicati) per avanzare al codice successivo. <p>NOTA: Questa opzione non è applicabile al Ciclo Rapido.</p>
8 00	OPZIONE RISCIAQUO AGGIUNTIVO Questa opzione è SELEZIONATA “ON” o NON SELEZIONATA “OFF”.
8 00	Non selezionata “OFF”.
8 Ar	Selezionata “ON”. Non è combinabile con l’opzione di risciacquo Super Cycle (Ciclo super). Premere il tasto QUICK CYCLE (ciclo rapido) una volta per eseguire la selezione. <ul style="list-style-type: none"> • Premere il tasto DELICATES/KNITS (Delicati) per avanzare al codice successivo.
9 00	OPZIONE CONTEGGIO CICLI Questa opzione è SELEZIONATA “ON” o NON SELEZIONATA “OFF”.
9 00	Non selezionata “OFF”.
9 0C	Selezionata “ON” senza possibilità di deselezionare. Premere il tasto QUICK CYCLE (ciclo rapido) per 3 volte consecutive per selezionare “ON”. Quando è selezionato “ON” non può essere deselezionato. <ul style="list-style-type: none"> • Premere il tasto DELICATES/KNITS (Delicati) per avanzare al codice successivo.
CODICE	SPIEGAZIONE
5. 00	ORARIO DEL GIORNO, MINUTI
5. 00	Si tratta dell’ORARIO DEL GIORNO, impostazione minuti; selezionare da 0–59 minuti premendo il tasto PERM PRESS (Pressione permanente). <ul style="list-style-type: none"> • Premere il tasto DELICATES/KNITS (Delicati) per avanzare al codice successivo.
6. 00	ORARIO DEL GIORNO, ORE NOTA: il formato dell’orario è di 24 ore.
6. 00	Si tratta dell’ORARIO DEL GIORNO, impostazione ore; selezionare da 0–23 ore premendo il tasto PERM PRESS (Pressione permanente). <ul style="list-style-type: none"> • Premere il tasto DELICATES/KNITS (Delicati) per avanzare al codice successivo.

CODICE	SPIEGAZIONE
r. 800	GIRI/MIN VELOCITÀ DI ROTAZIONE SUPERIORE
r. 800	Può essere selezionata dalle seguenti velocità di rotazione: 600 giri/min, 750 giri/min, 800 giri/min, 1000 (visualizzato come 999) giri/min. Passare tra le velocità premendo il tasto PERM PRESS (Pressione permanente). Preimpostazione di fabbrica per 800 giri/min. <ul style="list-style-type: none"> • Premere il tasto DELICATES/KNITS (Delicati) per avanzare al codice successivo.
A1. 00	LUNGHEZZA PRELAVAGGIO
A1. 00	È il numero di minuti del PRELAVAGGIO. Scegliere 0 per disattivare il prelavaggio oppure selezionare da 2 a 7 minuti premendo il tasto PERM PRESS (Pressione permanente). <ul style="list-style-type: none"> • Premere il tasto DELICATES/KNITS (Delicati) per avanzare al codice successivo.
A2. 03	LUNGHEZZA ROTAZIONE FINALE
A2. 03	È il numero di minuti della rotazione finale ad alta velocità. Avanzare da 3–8 minuti premendo il tasto PERM PRESS (Pressione permanente). <ul style="list-style-type: none"> • Premere il tasto DELICATES/KNITS (Delicati) per avanzare al codice successivo.

Se si seleziona il contatore di cicli (9 0C), è vero quanto segue:

1 00 Rappresenta il numero di cicli in CENTINAIA. $1 \underline{02} = 200$

2 00 Rappresenta il numero di cicli in UNITÀ. $2 \underline{25} = 25$

CICLI TOTALI = 225 cicli

Questa è una modalità di “SOLA VISUALIZZAZIONE” e non può essere cancellata.

- Premere il tasto DELICATES/KNITS (Delicati) per avanzare al codice successivo.

USCITA DALLA MODALITÀ DI CONFIGURAZIONE

Scollegare l’alimentazione, aprire la console, reinserire la spina in AA1, chiudere la console e ricollegare l’alimentazione.

Modalità diagnostica della lavatrice

Per accedere alla “Modalità diagnostica della lavatrice” accedere prima a “Avvio della configurazione operativa”. Tenere quindi premuto il tasto QUICK CYCLE (ciclo rapido) per 1 secondo, mentre è attivo il codice di configurazione 6, ogniqualvolta sia presente un codice di configurazione.

All'accesso alla modalità diagnostica, lampeggerà tutto il display, un ciclo in corso viene annullato, le monete in deposito sono eliminate e i codici diagnostici sono eliminati. Se il codice diagnostico continua, va corretto prima che siano consentite le seguenti opzioni del ciclo.

I modi per avviare l'attività del ciclo dalla modalità diagnostica sono cinque:

- 1. Ciclo di pulizia della lavatrice** – quando il display lampeggia, il ciclo viene avviato premendo il tasto BRIGHTS (Chiari).
Utilizzare il ciclo di pulizia della lavatrice una volta al mese per tenere la parte interna pulita. Questo ciclo utilizza un livello maggiore di acqua. Utilizzare candeggina liquida per pulire a fondo l'interno della lavatrice. Questo ciclo non va interrotto.
IMPORTANTE: non mettere indumenti o altri articoli nella lavatrice durante il ciclo di pulizia. Per questo ciclo il cestello deve essere vuoto.
- 2. Test di panoramica manuale** – quando il display lampeggia, il ciclo viene avviato premendo il tasto WHITES (Bianchi). Questo ciclo fornisce più riempimenti, rotazioni, scarichi e movimenti dell'erogatore dell'attuatore, consentendo una più accurata analisi del funzionamento della lavatrice, che include il comportamento del pressostato.
- 3. Ciclo rotazione rapida** – quando il display lampeggia, il ciclo viene avviato premendo il tasto COLORS (Colorati). Questo ciclo consente di scaricare e ruotare (rimuovere l'acqua dalla lavatrice) rapidamente se si desidera.
- 4. Test di panoramica rapido** – quando il display lampeggia, il ciclo viene avviato premendo il tasto DELICATES/KNITS (Delicati). Questo ciclo consente di verificare rapidamente che le valvole dell'acqua calda e fredda, gli erogatori e il motore della pompa funzionino, e di controllare il movimento dell'erogatore dell'attuatore. Include inoltre il funzionamento del blocco sportello, dello scarico e della rotazione.

Premendo il tasto QUICK CYCLE (ciclo rapido) si esce dalla modalità diagnostica e si annulla il ciclo diagnostico in corso.

CODICI DIAGNOSTICI

Se viene inserita la modalità di configurazione e si è verificato uno dei seguenti eventi, verrà visualizzato il codice diagnostico appropriato.

d9	Bassa tensione rilevata per 8 secondi.
F20	Riempimento lento. La lavatrice non rileverà l'ingresso dell'acqua per 4 min. Guasto del pressostato o assenza di acqua in ingresso. Il codice è riportato come d8 su d7.
F22	Lo sportello non si blocca. Errore di blocco sportello, oppure qualcuno tenta di avviare la lavatrice premendo l'interruttore dello sportello con il dito.

(per codici diversi consultare il personale di servizio)

CODICE ACCESSO DI SERVIZIO

È possibile immettere questo codice per accedere alla modalità di servizio senza rimuovere la console. Se la lavatrice non è in modalità di guasto, occorre aprire lo sportello per procedere. Il codice di accesso di servizio è composto da sei fasi e alcune di queste sono a tempo. Utilizzo esclusivo dei tre pulsanti inferiori (1, 2 e 3 da sinistra a destra):

1. Tenere premuto 2 per un periodo di 2–10 secondi.
2. Tenere premuti insieme 1 e 3 per due secondi e rilasciare. Viene visualizzato S 3.
3. Tenere premuti insieme 1 e 2 e rilasciare. Viene visualizzato S 4.
4. Tenere premuti insieme 2 e 3 e rilasciare. Viene visualizzato S 5.
5. Premere 2 e rilasciare. Sul display viene visualizzato “codE” (codice).
6. Attendere almeno 2 secondi, ma non superare i 15 e premere in ordine: 3, 2, 1, 3.

NOTA: se la procedura del codice di accesso di servizio non viene portata a termine nel modo corretto, come indicato, occorre attendere 15 secondi prima di poterla rieseguire.

Quando si utilizza il codice di servizio, sono disponibili tre opzioni per uscire.

1. Dal codice di configurazione 8, tenere premuto il tasto 1 per 4 secondi.
2. Attendere 2 minuti senza toccare tasti (senza modalità diagnostiche in funzione).
3. Accendere la lavatrice e riattivare l'alimentazione.

MODALITÀ GUIDA DELLA LAVATRICE

Si accede a questa modalità premendo il tasto PERM PRESS in codice di opzione di configurazione 2.XX.

In modalità guida, gli altri simboli e gli elementi del display sono mappati per riflettere lo stato dei vari ingressi e delle varie uscite, come segue:

Simbolo del display	Descrizione
Wash (Lavaggio)	Acqua rilevata al livello di lavaggio.
*	Bassa tensione presente (inferiore a circa 90 VCA).
° (Cerchio sulla cifra)	Sportello chiuso.
DOOR LOCKED (Sportello bloccato)	Rilevato blocco sportello
COLD (Freddo)	Relè acqua fredda attivo
HOT (Caldo)	Relè acqua calda attivo
OR (O)	Sblocco porta.
AVAILABLE (Disponibile)	Pompa di scarico ON.

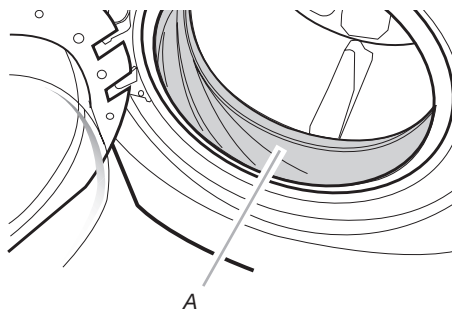
NOTA: all'interno del pannello anteriore frontale è incollata una scheda tecnica, che include i codici di guasto e uno schema tecnico della macchina.

MANUTENZIONE DELLA LAVATRICE

Pulizia della lavatrice

Pulizia della guarnizione della porta

1. Aprire lo sportello della lavatrice e rimuovere gli indumenti.
2. Ispezionare la guarnizione colorata tra l'apertura dello sportello e il cestello per la presenza di aree macchiate. Estrarre la guarnizione per ispezionare tutte le aree sotto e per verificare la presenza di corpi estranei.



A. Guarnizione

3. Se sono presenti macchie, pulire queste parti della guarnizione, adottando la procedura che segue.
 - a) Preparare una soluzione, con 177 ml (3/4 tazze) di candeggina liquida e 3,8 l (1 gal.) di acqua tiepida.
 - b) Pulire l'area della guarnizione con la soluzione diluita, utilizzando un panno umido.
 - c) Lasciarla agire 5 minuti.
 - d) Pulire a fondo l'area con un panno asciutto e lasciare asciugare l'interno della lavatrice con lo sportello aperto.

IMPORTANTE:

- Indossare guanti in gomma durante periodi di pulizia prolungati.
- Per l'utilizzo adeguato fare riferimento alle istruzioni del produttore della candeggina.

Procedure di manutenzione della lavatrice

Questa lavatrice prevede un ciclo speciale che utilizza volumi maggiori di acqua in combinazione con la candeggina liquida per pulire a fondo l'interno della lavatrice.

NOTAS:

- Leggere interamente le istruzioni prima di avviare la procedura di pulizia.
- Se necessario, è possibile interrompere il ciclo premendo due volte il tasto QUICK CYCLE (ciclo rapido). Tuttavia il ciclo non sarà arrestato immediatamente. La lavatrice continua con svariati risciacqui e scarichi per garantire l'eliminazione di tutta la candeggina dalla lavatrice.

Avviare la procedura

1. Aprire lo sportello della lavatrice e rimuovere gli indumenti.
2. **Utilizzare candeggina liquida:**
Aprire il cassetto dell'erogatore e aggiungere subito 160 ml (2/3 tazze) di candeggina liquida nell'apposita vaschetta.

NOTA: Non aggiungere detersivo in questo ciclo. Utilizzando una quantità superiore di 160 ml (2/3 tazze) di candeggina si possono verificare danni prolungati al prodotto.

3. Chiudere lo sportello della lavatrice e il cassetto erogatore.
4. Per avviare il ciclo di pulizia della lavatrice accedere prima a "Avvio della configurazione operativa". Tenere premuto il tasto QUICK CYCLE (ciclo rapido) per 1 secondo. Con il display lampeggiante, premere BRIGHTS (Chiari).

NOTA: il cestello ruota, lo sportello si sblocca, si blocca di nuovo e il ciclo continua.

- La lavatrice non si riempie, tuttavia il cestello ruota mentre la lavatrice funziona in un ciclo di rilevazione breve. Dura circa 3 minuti.

5. Il ciclo determina se sono presenti indumenti nella lavatrice.
 - a) Se non sono rilevati articoli nella lavatrice, procede al passo 7.
 - b) Se sono rilevati articoli nella lavatrice, viene visualizzato "rL" o "F-34". Lo sportello si sblocca.
 - Per annullare il codice di errore premere il tasto QUICK CYCLE (ciclo rapido). Ripetere i passi 1, 3 e 4 per avviare nuovamente il ciclo.

6. Quando il ciclo è avviato, farlo terminare.

7. Completato il ciclo, lasciare lievemente aperto lo sportello, per consentire una migliore ventilazione e far asciugare l'interno della lavatrice.

Per preservare la freschezza della lavatrice agire sempre nel modo seguente.

- Utilizzare solo detersivi per lavatrice.
- Dopo ciascun ciclo lasciare lo sportello lievemente aperto, per una migliore ventilazione e far asciugare l'interno.
- Pulire la lavatrice una volta al mese seguendo la procedura di manutenzione della lavatrice, 160 ml (2/3 tazze) di candeggina liquida.
- Se la procedura non migliora a sufficienza la freschezza della lavatrice, valutare le condizioni dell'installazione e di utilizzo alla ricerca di altre cause.

Pulizia dell'esterno

Con un panno o una spugna morbidi pulire gli schizzi. Pulire regolarmente la parte esterna della lavatrice per preservare l'aspetto nuovo. Utilizzare acqua e sapone delicato. Non utilizzare prodotti abrasivi.

Pulizia del cassetto erogatore

Per agevolare le operazioni di pulizia il cassetto può essere asportato.

1. Sbloccare il cassetto erogatore premendo la leva di rilascio. Rimuovere il cassetto.
2. Rimuovere gli inserti (il sifone dalle vaschette per ammorbidente e candeggina)
3. Lavare le parti in acqua corrente.

NOTA: non lavate le vaschette in lavastoviglie.

4. Rimettere in posizione gli inserti e riposizionare l'erogatore nel cassetto.

Tubi di ingresso dell'acqua

Sostituire tubi dopo 5 anni per ridurre il rischio di problemi al tubo. Ispezionare periodicamente e sostituire i tubi in caso di protuberanze, attorcigliamenti, tagli, usura o perdite.

Registrare la data di sostituzione dei tubi.

ASSISTENZA O MANUTENZIONE

Prima di chiedere assistenza tecnica, si prega di leggere il capitolo "Risoluzione problemi". Esso potrebbe farvi risparmiare il costo dell'intervento a domicilio di un tecnico. Se avete ancora bisogno di aiuto, contattate il rivenditore da cui avete acquistato l'elettrodomestico, oppure un'agenzia di servizio autorizzata dalla Whirlpool.

Se chiamate per chiedere assistenza tecnica, vi preghiamo di conoscere la data dell'acquisto ed il numero completo del modello nonché il numero di serie dell'elettrodomestico. Queste informazioni ci aiuteranno a rispondere meglio alla vostra richiesta.

Accessori

Potete migliorare il rendimento della vostra lavatrice avvalendovi dei seguenti ottimi accessori. Per ottenere ulteriori articoli di alta qualità, oppure per effettuare ordinazioni, contattare il distributore autorizzato Whirlpool più vicino a voi.

Numero del pezzo	Accessorio
8212526	Vaschetta di raccolta, da inserire sotto qualsiasi modello
31682	Detergente multiuso per elettrodomestici
1903WH	Carrello di stoccaggio prodotti per il bucato

Whirlpool Corporation, Benton Harbor, Michigan 49022, USA.

Manufacturer site: Whirlpool Mexico S.A. de C.V., Antigua Carretera a Roma Km 9,
Col. El Milagro, Apodaca, Nuevo León, C.P. 66634, Mexico.

EU representative: Whirlpool UK Ltd, Croydon, CR9 4RY, UK
Bauknecht Hausgeräte GmbH, D-73614 Schorndorf

GERÄTESICHERHEIT

Ihre Sicherheit und die Sicherheit anderer sind von größter Bedeutung.

Daher wurden diese Anleitung und das Gerät mit wichtigen Sicherheitshinweisen versehen. Bitte lesen und beachten Sie diese Sicherheitshinweise.



Dies ist das Warnzeichen.

Es weist Sie auf mögliche Gefahren hin, durch die Sie oder andere verletzt oder getötet werden könnten. Alle Sicherheitshinweise sind durch das Warnzeichen markiert und entweder mit dem Wort „GEFAHR“ oder „ACHTUNG“ gekennzeichnet.

Diese Begriffe bedeuten:

⚠ GEFAHR

Sie könnten getötet oder ernsthaft verletzt werden, wenn Sie diese Anweisungen nicht sofort befolgen.

⚠ ACHTUNG

Sie könnten getötet oder ernsthaft verletzt werden, wenn Sie diese Anweisungen nicht befolgen.

Alle Sicherheitshinweise enthalten Informationen darüber, worin die Gefahr besteht, wie Sie die Verletzungsgefahr verringern können und was geschehen kann, wenn Sie den Anweisungen zuwiderhandeln.

WICHTIGE SICHERHEITSHINWEISE

ACHTUNG: Um die Gefahr von Bränden, Stromschlägen und Verletzungen bei der Benutzung des Geräts so gering wie möglich zu halten, sind grundlegende Sicherheitsvorkehrungen zu treffen. Lesen und beachten Sie folgende Hinweise:

- In Heißwassersystemen, die über einen Zeitraum von mindestens zwei Wochen nicht benutzt wurden, kann sich unter Umständen Wasserstoffgas bilden. WASSERSTOFFGAS IST EXPLOSIV. Öffnen Sie daher nach längerer Nichtbenutzung des Heißwassersystems zunächst alle Heißwasserhähne und lassen Sie das Wasser mehrere Minuten lang laufen. Auf diese Weise wird angestautes Wasserstoffgas freigesetzt. Da es sich um ein brennbares Gas handelt, darf während dieses Zeitraums nicht geraucht oder mit offenem Feuer hantiert werden.
- Entfernen Sie vor einer Entsorgung der Waschmaschine die Tür oder die Klappe des Geräts.
- Installieren oder lagern Sie die Waschmaschine nicht an Orten, an denen sie Wettereinflüssen ausgesetzt ist.
- Führen Sie nur die Wartungs- oder Reparaturarbeiten an dem Gerät durch, die in dieser Anleitung oder anderen veröffentlichten Reparaturleitfäden ausdrücklich genannt werden und dies auch nur dann, wenn Sie die Anweisungen verstehen und in der Lage sind, sie sachgerecht auszuführen.
- Hinweise zur Erdung des Geräts finden Sie im Abschnitt „Netzanschluss“.

BEWAHREN SIE DIESE ANLEITUNG AUF.

ENTSORGUNG DER WASCHMASCHINE



Dieses Gerät fällt unter die Bestimmungen der europäischen Richtlinie 2002/96/EG zu Elektro- und Elektronik-Altgeräten (WEEE).

Bitte entsorgen Sie dieses Gerät sachgemäß, um Schäden für die Umwelt und die menschliche Gesundheit zu vermeiden.

Das obenstehende Symbol auf der Verpackung oder in der Begleitdokumentation eines Geräts bedeutet, dass dieses Gerät nicht als Hausmüll entsorgt werden darf. Es sollte stattdessen auf einem Recyclinghof oder an einer Sammelstelle für elektrische und elektronische Altgeräte abgegeben werden.

Die Entsorgung muss gemäß den örtlichen Bestimmungen erfolgen.

Weitere Informationen zu Behandlung, Aufbereitung und Recycling dieses Geräts erhalten Sie von Ihrer Kommunalverwaltung, dem örtlichen Entsorgungsunternehmen oder dem Händler, von dem Sie das Gerät erworben haben.

Nomenklatur des Modells

3L – Anschlusscode für Volt 230v/50Hz

CHW – Kommerzielle Waschmaschine

91 – Modell-Typ-Nr.

INSTALLATIONSVORAUSSETZUNGEN

Werkzeug und Zubehör

Vergewissern Sie sich, dass Sie über das notwendige Werkzeug und die erforderlichen Zubehörteile verfügen, ehe Sie mit der Installation beginnen.

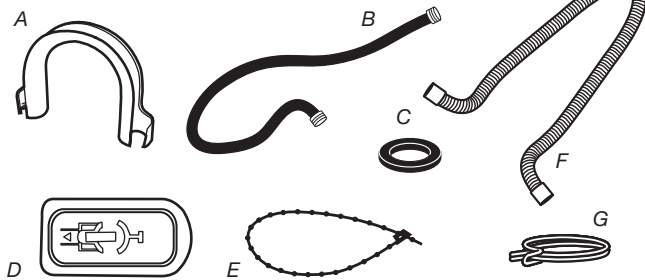
Zum Anschluss des Zulaufschlauchs benötigtes Werkzeug:

- Zange (mit einer Öffnungsweite von mindestens 39,5 mm [1⁹/₁₆ Zoll])
- Taschenlampe (bei Bedarf)

Zur Installation benötigtes Werkzeug

- Maulschlüssel 1/2 Zoll und 9/16 Zoll
- Sicherheitsschraubendreher Torx®† T-20
- 1/4 Zoll Steckschlüssel
- Wasserwaage
- Holzblock
- Zollstock oder Bandmaß

Mitgelieferte Zusatzteile



A. U-förmige Schlauchform

B. Zulaufschläuche (2)

C. Dichtungsringe (4)

D. Lochstopfen für die Öffnungen der Transportsicherung (4)

E. Schlauchbinde

F. Ablaufschlauch

G. Schlauchklemme

Möglicherweise benötigtes Zusatzzubehör

Unter Umständen benötigen Sie weiteres Zubehör. Bitte wenden Sie sich an Ihren Whirlpool-Händler, wenn Sie eines der hier aufgeführten zubehörteile erwerben wollen.

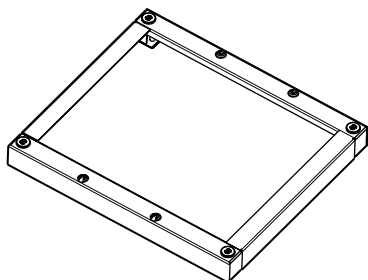
Falls vor Ort vorliegend	wird benötigt
Waschwanne oder Standrohr mit einer Höhe über 2,4 m (96 Zoll)	Sumpfpumpensystem (falls noch nicht vorhanden)
obenliegender Ablauf	mindestens 76 cm hohe Waschwanne mit 76 Liter Fassungsvermögen (oder ein entsprechendes Auffangbecken) mit Sumpfpumpe, erhältlich im örtlichen Sanitärbedarf
Bodenablauf	Siphonverschluss, Teilnr. 285320; zusätzlicher Ablaufschlauch, Teilnr. 8318155 sowie Bodenablauf-Satz, Teilnr. 280129.
Ablaufschlauch zu kurz	Ablaufschlauch-Verlängerungssatz (1/2 Meter), Teilnr. 285834

†® TORX ist eine Marke der Saturn Fasteners, Inc.

Optionen

Sockel

Für diese Waschmaschine ist ein separat erhältlicher Sockel verfügbar. Durch den Sockel erhöht sich die Gesamtgeräteeinheit der Waschmaschine.



Separat erhältlicher Sockel

Sockelhöhe	ungefähre Gesamtgeräteeinheit	Farbe	Teilenummer
(73 mm) 2 ⁷ / ₈ Zoll	(1207 mm) 47,5 Zoll	weiß	WHP0400VW

Standortvoraussetzungen

Die Auswahl eines geeigneten Standorts erhöht die Leistungsfähigkeit der Waschmaschine, minimiert die Geräuschbelastung und verhindert ein „Wandern“ des Geräts.

Diese Waschmaschine kann als Einbaugerät, im Keller oder Hauswirtschaftsraum oder in einer Wandnisch installiert werden. Siehe Abschnitt „Ablaufsystem“.

Berücksichtigen Sie bei der Standortentscheidung ggf. auch andere Geräte, die in Verbindung mit der Waschmaschine benutzt werden sollen. Die sachgerechte Installation des Geräts liegt in Ihrer Verantwortlichkeit.

Erforderlich sind:

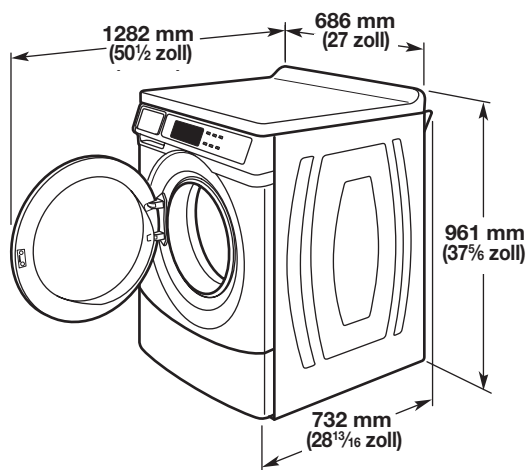
- Ein Heißwasserbereiter, der die Waschmaschine mit 60° C heißem Wasser versorgt.
- Eine geerdete Steckdose innerhalb von 1/8 Metern Abstand vom Auslass des netzkabels an der Waschmaschinenrückseite. Siehe Abschnitt „Netzanschluss“.
- Kalt- und Heißwasserhähne innerhalb von 1/2 Metern Abstand von den Kalt- und Heißwassereinlassventilen mit einem Wasserdruck zwischen 137,9 und 689,6 kPa (20 und 100 psi).
- Eine ebene Aufstellfläche. Die Neigung des Fußbodens unter der gesamten Fläche der Waschmaschine darf 25 Millimeter nicht überschreiten. Die Waschmaschine sollte zudem nicht auf weichen Bodenmaterialien wie Teppichen oder Böden mit Schaumunterschicht aufgestellt werden.
- Ein solider und robuster Fußboden, der das Gewicht der Waschmaschine (zzgl. Wäsche und Wasser) von 180 kg trägt.

Betreiben Sie die Waschmaschine nicht bei Temperaturen unter 0° C. Nach einem Waschgang in der Maschine verbleibende Wasserreste können gefrieren und Schäden verursachen.

Platzbedarf

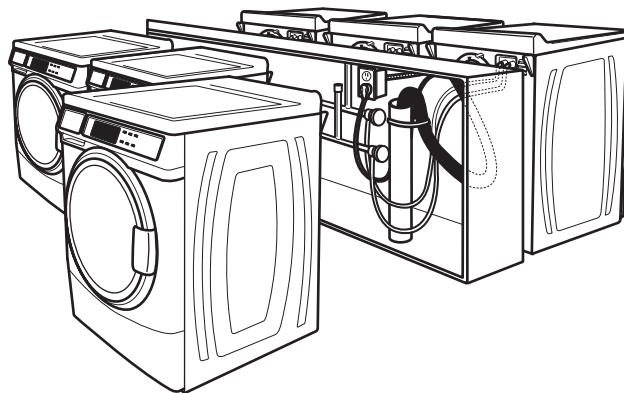
- Der Standort muss so gewählt werden, dass die Tür der Waschmaschine vollständig geöffnet werden kann.
- Darüber hinaus sollte ausreichend Platz vorhanden sein, um die Installation und problemlose Wartung des Geräts zu ermöglichen. Die Tür hat einen Öffnungswinkel von über 90° C. Der Türanschlag kann nicht geändert werden.
- Bitte berücksichtigen Sie bei der Prüfung des Platzbedarfs auch Scheuerleisten, Mauervorsprünge usw.
- Um die Geräuschübertragung so gering wie möglich zu halten, wird ein zusätzlicher Abstand von 25 mm auf allen Seiten des Geräts empfohlen.
- Berücksichtigen Sie darüber hinaus die Platzanforderungen von in Verbindung mit der Waschmaschine zu benutzenden Geräten.
- Im Notfall kann der Netzstecker gezogen werden, um das Gerät abzuschalten. Die Waschmaschine muss daher so aufgestellt werden, dass der Netzstecker sichtbar und problemlos zugänglich ist.

Gerätemaße



Türanschlag kann nicht geändert werden.

Ein Bodenauslass sollte vorhanden sein. Vorgefertigte Wandelemente mit Steckdosen, Wasserzuläufen und Ablauf sollten nur benutzt werden, wenn die örtlichen Bauvorschriften dies zulassen.



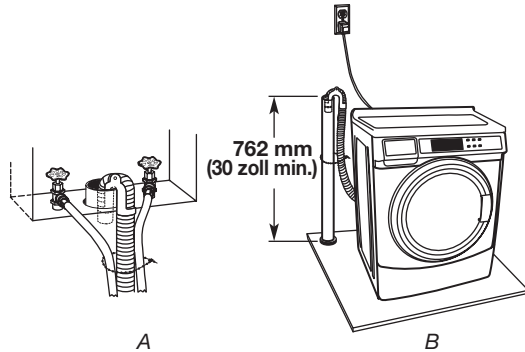
Ablaufsystem

Diese Waschmaschine kann mit einem Standrohr-Ablaufsystem (Boden oder Wand), einem Waschwannen-Ablaufsystem oder einem Bodenablauf betrieben werden. Wählen Sie die für Ihre Gegebenheiten geeignete Ablaufmethode aus. Siehe dazu „Werkzeug und Zubehör“.

Standrohr-Ablaufsystem – Wand oder Boden (Ansicht A und B)

Kommt ein Standrohr-Ablaufsystem zum Einsatz, muss das Standrohr einen Durchmesser von mindestens 50 Millimetern aufweisen. Die Ableitungskapazität darf 45,5 Liter pro Minute nicht unterschreiten.

Die Höhe des Standrohrs muss mindestens 76,2 Zentimeter und darf höchstens 2,40 Meter betragen (von der Unterseite der Waschmaschine an gerechnet).



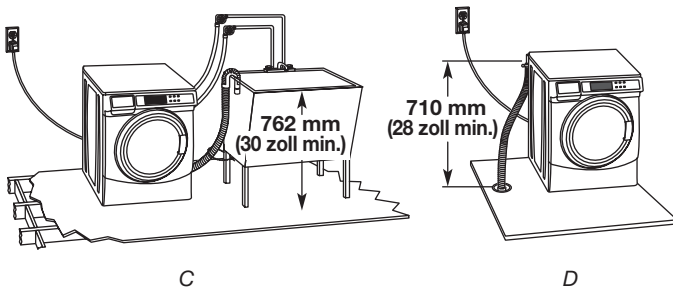
Waschwannen-Ablaufsystem (Ansicht C)

Die Waschwanne muss ein Fassungsvermögen von mindestens 76 Litern aufweisen. Ihre Oberkante muss sich mindestens 76,2 Zentimeter über dem Boden befinden.

Bodenablauf (Ansicht D)

Für den Bodenablauf ist ein Siphonverschluss erforderlich, der separat erhältlich ist. Siehe Abschnitt „Werkzeug und Zubehör“.

Der Siphonverschluss muss mindestens 710 mm von der Unterseite der Waschmaschine entfernt sein, daher ist u. U. ein zusätzlicher Ablaufschlauch nötig.



Netzanschluss

⚠ ACHTUNG



Spannungsgefahr

⚠ ACHTUNG



Stromschlaggefahr!

Nur an geerdete Steckdosen anschließen.

Keinen Adapter verwenden.

Kein Verlängerungskabel verwenden.

Die Nichtbeachtung dieser Anweisungen kann Stromschläge, Brände und Todesfälle nach sich ziehen.

- Das Gerät muss an eine abgesicherte 220–240V, 50 Hz. Stromversorgung angeschlossen werden. Darüber hinaus wird die Verwendung einer träge Sicherung mit 10–16 Ampere oder eines Leistungsschutzschalters empfohlen.
- Die Waschmaschine ist mit einem Netzkabel mit geerdetem Stecker ausgestattet.
- Um die Gefahr eines Stromschlags zu minimieren, muss der Netzstecker in eine gemäß den örtlichen Bauvorschriften geerdete Steckdose gesteckt werden. Falls eine solche Steckdose nicht vorhanden ist, müssen Sie sie durch einen ausgebildeten Elektriker installieren lassen.
- Falls die örtlichen Vorschriften die Verwendung eines separaten Erdungleiters zulassen und ein solcher verwendet wird, sollte ein ausgebildeter Elektriker überprüfen, ob die Erdung ausreichend ist.
- Wenn das Netzkabel beschädigt ist, muss es ersetzt werden. Dies darf nur durch den Hersteller, einen Reparatordienst oder entsprechend qualifiziertes Fachpersonal erfolgen.
- Die Erdung nicht an eine Gasleitung anschließen.
- Ziehen Sie einen Elektriker zu Rate, falls Sie sich nicht sicher sind, ob die Waschmaschine ausreichend geerdet ist. Der Erdungskreis darf keine Sicherung enthalten.

- Lassen Sie von einem ausgebildeten Elektriker überprüfen, dass sich keine Sicherung in der Null- oder Erdleitung befindet.

HINWEISE ZUR ERDUNG DES GERÄTS

Diese Waschmaschine muss geerdet werden. Im Fall einer Fehlfunktion oder eines Defekts verringert eine sachgerechte Erdung durch Ableitung des Stroms die Stromschlaggefahr. Dieses Gerät ist mit einem Netzkabel ausgestattet, das über einen Erdungsleiter und einen geerdeten Stecker verfügt. Stecken Sie den Stecker nur in eine sachgemäß installierte und vorschriftsmäßig geerdete Steckdose.

ACHTUNG: Die unsachgemäße Anbringung des Erdungsleiters erhöht die Stromschlaggefahr. Ziehen Sie einen Elektriker oder Wartungstechniker zu Rate, falls Sie sich bezüglich der Erdung des Geräts nicht sicher sind.

Nehmen Sie keine Veränderungen an dem mitgelieferten Stecker vor. Falls dieser nicht in die vorhandene Steckdose passt, beauftragen Sie einen Elektriker mit der Installation einer passenden Steckdose.

HINWEIS: Elektrische Sicherheitsnormen: Der Hersteller richtet sich nach den Anforderungen der internationalen Sicherheitsnorm IEC/EN 60335, da diese den Eigenschaften des Geräts am besten entspricht.

- Schalldruckpegel (LpA): 58 dbA (Toleranz, kpa +/- 3,6 dbA)

INSTALLATIONSANLEITUNG

Entfernung der Transportsicherung

⚠ ACHTUNG

Schweres Gerät.

Die Waschmaschine darf aufgrund ihres hohen Gewichts nur von mindestens zwei Personen bewegt und installiert werden.

Nichtbeachtung kann Rücken- und andere Verletzungen nach sich ziehen.

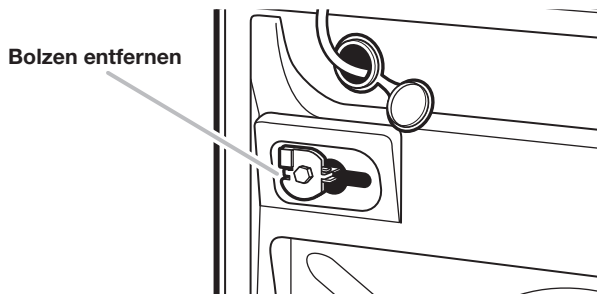
Max. Gewicht (mit Verpackung):
111 kg

Max. Gewicht (ohne Verpackung):
107 kg

WICHTIGER HINWEIS: Positionieren Sie die Waschmaschine so, dass sich ihre Rückseite nicht weiter als 90 cm von ihrem endgültigen Standort entfernt befindet.

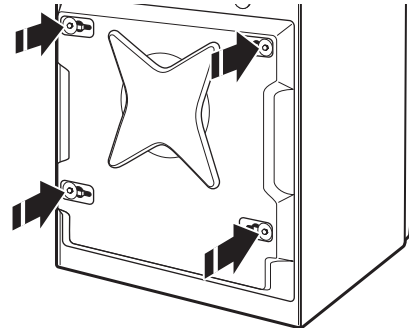
Die Aufhängung des Geräts ist zu Transportzwecken mit vier Bolzen gesichert, die sich in der hinteren Abdeckung befinden. Diese halten auch das Netzkabel.

1. Lassen Sie die Waschmaschine aufrecht stehen, während Sie die Bolzen entfernen.

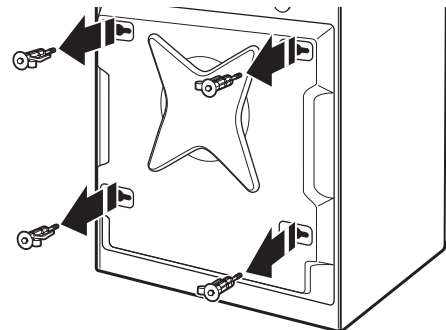


Transportschraube mit Abstandshalter aus Kunststoff

2. Lockern Sie die Bolzen zunächst mit Hilfe eines 13 mm (1/2-Zoll) Schraubenschlüssels.



3. Schieben Sie dann den gelockerten Bolzen in die Mitte der Öffnung und ziehen Sie ihn mit dem Abstandsstück heraus.



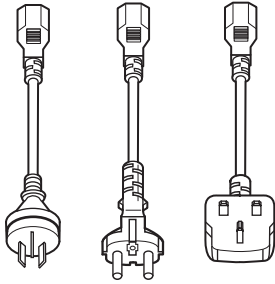
4. Die 4 Bolzen und Abstandsstücke werden nicht mehr benötigt. Schieben Sie den Netzstecker in die Öffnung auf der linken Seite der Rückwand. Schließen Sie die Öffnungen mit der an der Rückwand angebrachten Abdeckung. Ziehen Sie das Steckerende des Netzkabels nicht durch die Öffnung auf der rechten Seite!

5. Schließen Sie die Öffnungen, in denen sich die Bolzen der Transportsicherung befanden, mit den beigelegten Lochstopfen.

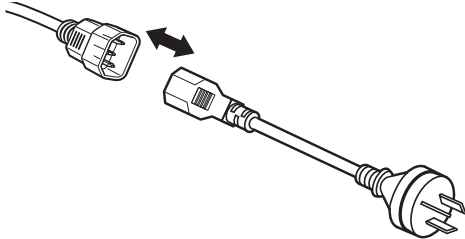
HINWEIS: Falls die Waschmaschine zu einem späteren Zeitpunkt erneut transportiert werden muss, ziehen Sie Ihren Händler oder einen Installateur zu Rate. Um Beschädigungen des Geräts und des Aufstellungsorts zu vermeiden, muss die Waschmaschine durch einen Fachmann für den Transport vorbereitet werden.)

Montage des Netzsteckers

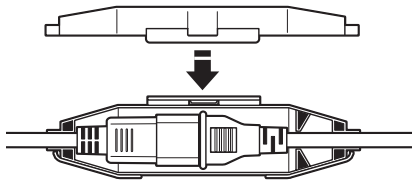
1. Wählen Sie den für Ihre Steckdose passenden Stecker aus.



2. Verbinden Sie das hintere Ende des Steckers mit dem Netzkabel.



3. Sichern Sie die Verbindung zwischen Netzkabel und -stecker mit Hilfe der Kabelsicherung.

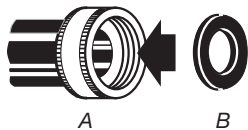


4. Achten Sie darauf, dass die Abdeckung der Kabelsicherung hörbar einrastet.

5. Überprüfen Sie den Sitz der Kabelsicherung und die Position der Sicherungsklemmen.

Anschluss der Zulaufschläuche

Der Wasseranschluss muss den geltenden Vorschriften entsprechen. Setzen Sie die mitgelieferten flachen Dichtungsringe in beide Enden der Zulaufschläuche ein. Achten Sie darauf, dass die Ringe fest in den Kupplungen sitzen.



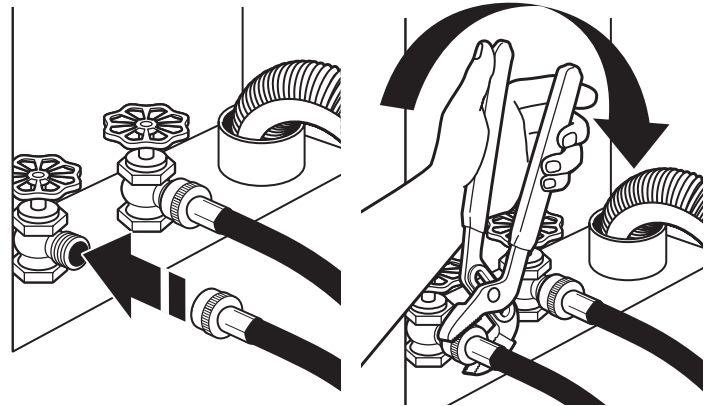
A. Schlauchkupplung
B. Dichtring

- Benutzen Sie die mit dem Gerät mitgelieferten Zulaufschläuche. Von der Wiederverwendung vorhandener Zulaufschläuche wird dringend abgeraten.

Anschluss der Zulaufschläuche an die Wasserhähne

Stellen Sie sicher, dass die Wäschetrommel leer ist.

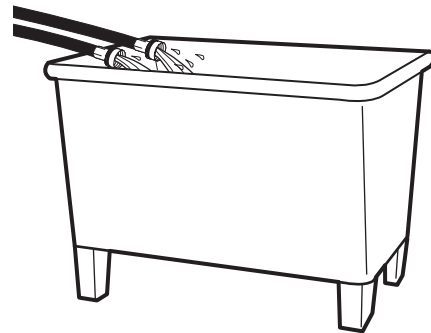
1. Schließen Sie einen der Zulaufschläuche an den Heißwasserhahn an. Schrauben Sie die Kupplung per Hand fest, bis der Dichtungsring greift.
2. Schließen Sie einen der Zulaufschläuche an den Kaltwasserhahn an. Schrauben Sie die Kupplung per Hand fest, bis der Dichtungsring aufliegt.
3. Ziehen Sie die Kupplung mit Hilfe einer Zange um eine weitere Zwei-Drittel-Drehung fest.



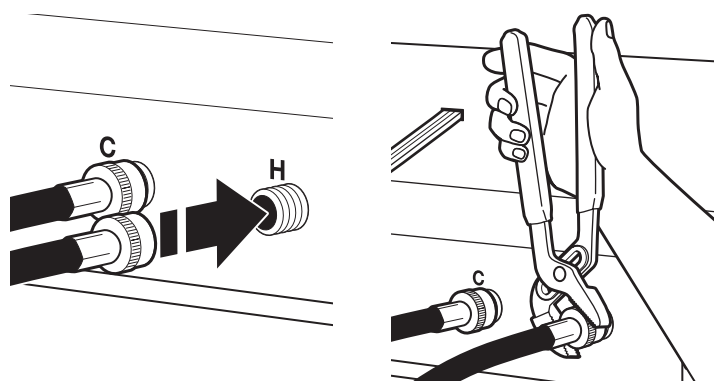
HINWEIS: Überdrehen Sie die Kupplung nicht. Benutzen Sie kein Abdichtband oder andere Dichtungsmaterialien an den Wasserhähnen, da dies die Zulaufschläuche beschädigen kann.

Spülen der Zulaufleitungen

- Lassen Sie Wasser aus beiden Hähnen durch die Zulaufschläuche in die Waschwanne bzw. das Standrohr oder einen Eimer laufen. Auf diese Weise werden Rückstände aus den Leitungen gespült, die andernfalls die Ventilfilter verstopfen könnten.
- Prüfen Sie die Wassertemperatur um sicherzustellen, dass der Heißwasser-Zulaufschlauch an den Heißwasserhahn und der Kaltwasser-Zulaufschlauch an den Kaltwasserhahn angeschlossen sind.



Anschluss der Zulaufschläuche an die Einlassventile



C. Kaltwassereinlass
H. Heißwassereinlass

1. Schließen Sie den heißwasser-Zulaufschlauch an das Heißwassereinlassventil (H) der Waschmaschine an. Schrauben Sie die Kupplung per Hand fest.

- Schließen Sie den Kaltwasser-Zulaufschlauch an das Kaltwassereinlassventil (C) der Waschmaschine an. Schrauben Sie die Kupplung per Hand fest.
 - Ziehen Sie die Kupplung mit Hilfe einer Zange um eine weitere Zwei-Drittel-Drehung fest.
- HINWEIS:** Die Verbindung nicht zu fest anziehen, um die Kupplung nicht zu beschädigen.
- Drehen Sie die Wasserhähne voll auf und prüfen Sie, ob alle Verbindungen dicht sind.



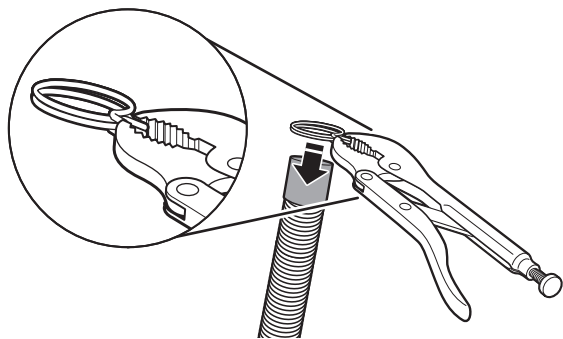
HINWEIS: Die Zulaufschläuche sollten alle 5 Jahre ausgetauscht werden, um einem Platzen der Schläuche infolge von Materialermüdung vorzubeugen. Notieren Sie das Datum, an dem die Schläuche installiert bzw. ausgetauscht wurden, auf den Schläuchen, damit Sie jederzeit überprüfen können, wann diese ersetzt werden sollten.

Untersuchen Sie die Schläuche in regelmäßigen Abständen auf Ausbeulungen, Knicke, Risse, Abnutzungserscheinungen und sonstige Beschädigungen.

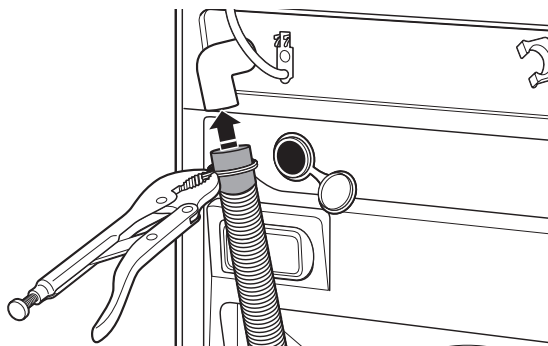
Den Ablaufschlauch anschließen

Den Ablaufschlauch von der Waschtrommel entfernen

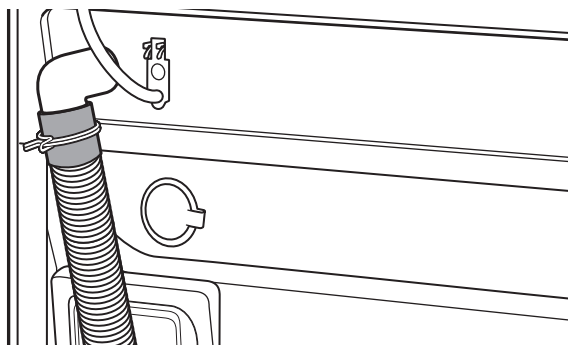
- Verwenden Sie Festhalteclips und klemmen Sie die Klammerabzweigungen zusammen und dann über dem Ende des Ablaufschlauchs anbringen.



- Schieben Sie den Ablaufschlauch auf die Waschmaschinenverbindung.



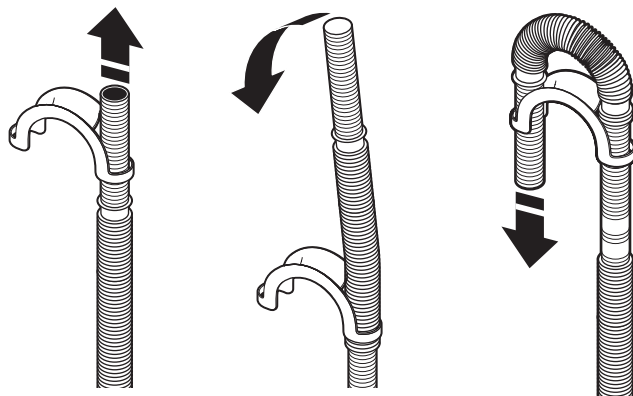
- Sobald der Ablaufschlauch angebracht ist, entfernen Sie die Festhalteclipsen.



Das Entwässerungssystem der Waschmaschine kann über Bodenablauf, Wandstandrohr, Bodenstandrohr oder Wäschewanne installiert werden.

Auslauf von Wäschewanne oder Standrohr

Verbinden Sie die Ablaufschlauchform mit dem welligen Ablaufschlauch.



Wasserrücklauf in die Waschmaschine vermeiden:

- Ziehen Sie den Ablaufschlauch nicht glatt und drücken Sie überschüssige Schlauchlängen nicht in das Standrohr. Der Schlauch sollte sicher im Standrohr eingeführt sein, aber Luftaustritt ermöglichen.
- Legen Sie überschüssige Schlauchlängen nicht auf den Boden der Wäschewanne.

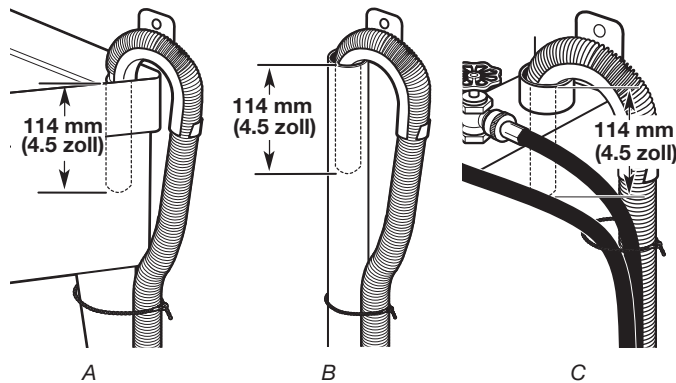
Bei Bodenablauf

Unter Umständen wird zusätzliches Zubehör benötigt. Siehe Angaben zum Bodenablauf im Abschnitt „Werkzeug und Zubehör“.

Sicherung des Ablaufschlauchs

Der Ablaufschlauch muss gut festsitzen, damit der Schlauch sich nicht bewegen kann, wenn Wasser aus ihm gepumpt wird. Wenn sich der Ablaufschlauch bewegt, kann Wasser auf dem Boden fließen.

1. Legen Sie das Netzkabel über die Oberseite der Waschmaschine.
2. Bewegen Sie die Maschine in ihre endgültige Position.
3. Platzieren Sie den Ablaufschlauch in der Wäschewanne bzw. dem Standrohr – siehe Abbildungen A und B.



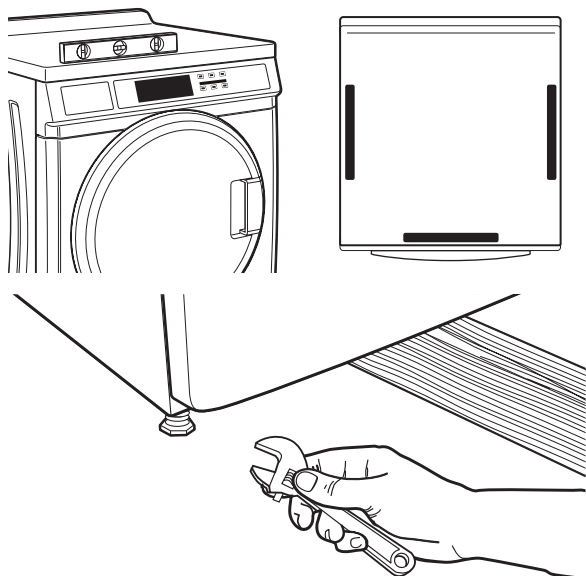
HINWEISE:

- Sichern Sie den Ablaufschlauch mit dem mitgelieferten Schlauchbinder.
- Um Ansaugung zu vermeiden, legen Sie nicht mehr als 114 mm (4.5 Zoll) des Ablaufschlauchs in das Abflussrohr oder Standrohr und verschließen Sie es nicht.
- Falls die Zulaufhähne und das Standrohr sich in einer Wandnische befinden, platzieren Sie das gebogenen Ende des Schlauchs im Standrohr wie in Abbildung C gezeigt.

Ausrichten der Waschmaschine

Die korrekte Ausrichtung der Waschmaschine beugt unnötigen Vibrationen und Geräuschentwicklung vor.

1. Überprüfen Sie mit Hilfe einer Wasserwaage, ob das Gerät gerade steht (sowohl von Seite zu Seite als auch von vorn nach hinten).



Falls die Waschmaschine direkt an einer Wand steht, bewegen Sie sie zunächst etwas von der Wand weg, ehe Sie sie nach hinten kippen. Falls die Waschmaschine nicht gerade steht, legen Sie zunächst einen Holzblock unter die Vorderseite des Geräts und passen Sie die vorderen Standfüße an. Legen Sie den Holzblock dann unter die Hinterseite des Geräts, um die hinteren Standfüße anzupassen. Wiederholen Sie diese Arbeitsschritte bei Bedarf, bis das Gerät gerade steht.

2. Achten Sie darauf, dass alle vier Standfüße stabil und fest auf dem Boden stehen. Überprüfen Sie die Ausrichtung des Geräts erneut mit der Wasserwaage.
 3. Wenn das Gerät gerade steht, ziehen Sie die Muttern an den Standfüßen mit Hilfe eines 9/16-Zoll-Maulschlüssels an, bis sie fest am Gehäuse der Waschmaschine anliegen.
- WICHTIGER HINWEIS:** um ein Vibrieren der Waschmaschine zu verhindern, müssen die Muttern aller vier Standfüße festangezogen werden.
4. Die Waschmaschine sollte fest stehen und sich bei Druck auf die oberen Kanten nicht seitlich, nach hinten oder vorn bzw. diagonal bewegen.
 5. Schieben Sie die Maschine in ihre endgültige Position.
 6. Überprüfen Sie nochmals, ob die Maschine gerade steht.

Abschluss der Installation

1. Überprüfen Sie die Voraussetzungen für den Netzanschluss der Waschmaschine, insbesondere hinsichtlich der erforderlichen Netzspannung und der Erdung des Geräts. Siehe Abschnitt „Netzanschluss“.
2. Überprüfen Sie, ob Sie alle Teile verwendet haben. Falls ein Teil übrig ist, gehen Sie alle Arbeitsschritte durch um zu sehen, welcher Schritt ausgelassen wurde.
3. Überprüfen Sie, ob Ihr Werkzeug vollständig ist.
4. Entsorgen/recyceln Sie sämtliche Verpackungsmaterialien.
5. Stellen Sie sicher, dass die Wasserhähne geöffnet sind.
6. Prüfen Sie die Umgebung der Wasserhähne und Zulaufschläuche auf Wasseraustritt.

⚠ ACHTUNG



Stromschlaggefahr!

Nur an geerdete Steckdosen anschließen.

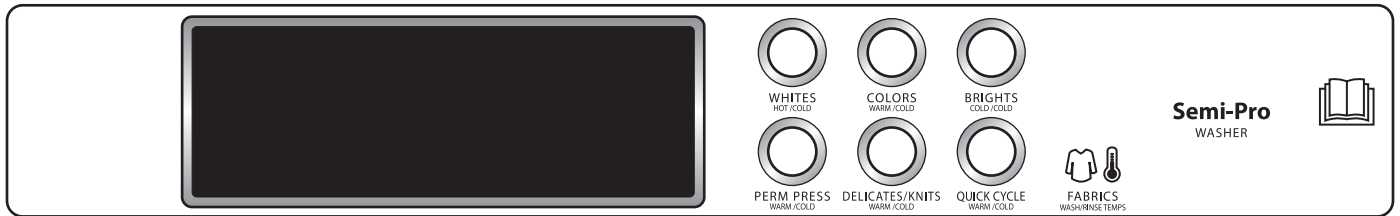
Keinen Adapter verwenden.

Kein Verlängerungskabel verwenden.

Die Nichtbeachtung dieser Anweisungen kann Stromschläge, Brände und Todesfälle nach sich ziehen.

7. Schließen Sie den Netzstecker an eine geerdete Steckdose an.
8. Um die Waschmaschine zu reinigen und ihre Funktion zu prüfen, füllen Sie die Hälfte der vom Waschmittelhersteller für eine mittelgroße Ladung empfohlenen Waschmittelmenge in das Waschmittelfach. Wählen Sie ein beliebiges Programm aus und lassen Sie dieses durchlaufen.

PROGRAMMIERUNGSANLEITUNG



1. Die Tür muss geschlossen sein, ehe das Programm ausgewählt wird.
2. Wählen Sie das gewünschte Programm mittels der entsprechenden Programmwahltaste aus. Sobald der Waschgang begonnen hat, wird die verbleibende Zeit im Display angezeigt.

Allgemeine Hinweise

Die Anzeige „out of order“ erscheint im Display, gefolgt von einem Fehlercode.

Diese Anzeige bedeutet, dass die Waschmaschine außer Betrieb ist.

Anzeige „0 Minutes“

Diese Anzeige bedeutet, dass die Waschmaschine nicht betriebsbereit ist. Falls ein Türkontaktschalter defekt ist, muss er ersetzt werden, ehe das Gerät wieder benutzt werden kann.

Kaltstart (bei Erstbenutzung)

Ab werk ist die Waschmaschine wie folgt eingestellt:

- 11-Minuten-Waschgang
- 3 Spülgänge (Extra-Spülgang nicht aktiviert)

Warmstart (nach Stromausfall)

Falls das Gerät während eines Stromausfalls in Betrieb war, blinken einige Sekunden nach Behebung des Ausfalls die Worte „RESELECT CYCLE“ (PROGRAMM NEU WÄHLEN) im Display. Drücken Sie eine Programmtaste, um die Waschmaschine erneut zu starten.

Programmieren der Waschmaschine

WICHTIGER HINWEIS: Lesen Sie zunächst sämtliche Anweisungen durch, ehe Sie mit dem der Programmierung der Waschmaschine beginnen.

Zum Vornehmen der Programmierung wird der Einstellungszugriffscodes benötigt (siehe Abschnitt „Einstellungszugriffscodes“).

Nun befindet sich die Waschmaschine im Programmier-Modus. Die Vornahme der Einstellungen erfolgt mittels der unteren Programmwahltasten und des Displays. Auf dem Display können 4 Zahlen und/oder Buchstaben sowie ein Dezimalpunkt angezeigt werden. Damit werden die zur Programmierung der Waschmaschine verfügbaren Einstellcodes und die damit verbundenen Code-Werte dargestellt.

Benutzung der Programmtasten

1. Die Taste PERM PRESS dient der Anpassung der mit den Einstellcodes verbundenen Code-Werte. Durch Betätigung der Taste werden die Werte schrittweise geändert. Halten Sie die Taste gedrückt, wenn Sie einen Wert um mehrere Stufen ändern wollen.
2. Mit der Taste DELICATES/KNITS können Sie durch die Einstellcodes blättern. Durch einfache Betätigung der Taste gelangen Sie zum jeweils nächsten Einstellcode. Halten Sie die Taste gedrückt, um im Sekundentakt durch die Einstellcodes zu blättern.
3. Mittels der Taste QUICK CYCLE können Optionen aktiviert und deaktiviert werden.

Programmiervorgang

Bitte beachten Sie: Um die Waschmaschine in Betrieb zu nehmen, ist keine Programmierung notwendig, da das Gerät im Werk auf die gängigsten Optionen voreingestellt wurde. Eine Programmierung ist nur erforderlich, wenn Sie andere als die voreingestellten Optionen nutzen wollen. Werksseitig wurde die Maschine auf eine Waschgangsdauer von 11 Minuten sowie 3 Spülgänge (Extra-Spülgang nicht aktiviert voreingestellt.)

Einstellcodes

- Mittels der Taste DELICATES/KNITS gelangen Sie von Code zu Code.
- Mit der Taste PERM PRESS können Sie den Code-Wert des jeweiligen Einstellcodes ändern.
- Mittels der Taste QUICK CYCLE können Optionen aktiviert und deaktiviert werden.

Der Einstellcode wird durch den ersten bzw. die ersten beiden Zeichen auf der linken Seite angegeben. Der Code-Wert eines Einstellcode wird durch die beiden bzw. die drei Zeichen auf der rechten Seite angegeben.

CODE	ERLÄUTERUNG
711	DAUER DES WASCHGANGS
711	Hier wird die Länge des Waschgangs (in Minuten) eingestellt. Werksseitig ist die Waschgangsdauer auf 11 Minuten eingestellt. Wählen Sie mit Hilfe der Taste PERM PRESS eine Waschdauer zwischen 9 und 17 Minuten aus. <ul style="list-style-type: none"> • Betätigen Sie die Taste DELICATES/KNITS einmal, um zum nächsten Code zu wechseln. HINWEIS: Diese Option besteht beim Quick Cycle nicht.
8 00	ZUSÄTZLICHER SPÜLGANG Diese Option kann entweder aktiviert (ON) oder deaktiviert (OFF) werden.
8 00	deaktiviert (OFF)
8 Ar	aktiviert (ON) Diese Option kann nicht mit der Spüloption des „Super“-Waschprogramms kombiniert werden. Betätigen Sie die Taste QUICK CYCLE einmal, um diese Option zu aktivieren. <ul style="list-style-type: none"> • Betätigen Sie die Taste DELICATES/KNITS einmal, um zum nächsten Code zu wechseln.
9 00	WASCHGANGZÄHLER Diese Option kann entweder aktiviert (ON) oder deaktiviert (OFF) werden.
9 00	deaktiviert (OFF)
9 0C	aktiviert (ON) – Diese Auswahl kann nicht rückgängig gemacht werden. Betätigen Sie die Taste QUICK CYCLE drei Mal, um diese Option zu aktivieren. Ist der Zähler aktiviert (ON), kann er nicht mehr deaktiviert werden. <ul style="list-style-type: none"> • Betätigen Sie die Taste DELICATES/KNITS einmal, um zum nächsten Code zu wechseln.

CODE	ERLÄUTERUNG
5. 00	UHRZEIT, MINUTEN
5. 00	Hierbei handelt es sich um die Minuteneinstellung der UHRZEIT. Betätigen Sie die Taste PERM PRESS, um die Minutenzahl einzustellen (0 bis 59). <ul style="list-style-type: none"> • Betätigen Sie die Taste DELICATES/KNITS einmal, um zum nächsten Code zu wechseln.
6. 00	UHRZEIT, STUNDEN HINWEIS: Hierbei handelt es sich um die Stundeneinstellung der UHRZEIT.
6. 00	Betätigen Sie die Taste PERM PRESS, um die Stundenzahl einzustellen (0 bis 23). <ul style="list-style-type: none"> • Betätigen Sie die Taste DELICATES/KNITS einmal, um zum nächsten Code zu wechseln.

CODE	ERLÄUTERUNG
r. 800	UMDREHUNGSZAHL DES SCHLEUDERGANGS
r. 800	Sie können zwischen folgenden Einstellungen wählen: 600 U/min, 750 U/min, 800 U/min, 1000 (wird als 999 angezeigt) U/min Betätigen Sie die Taste PERM PRESS, um zur nächsten Einstellung zu gelangen. Werksseitig sind 800 Umdrehungen pro Minute voreingestellt. <ul style="list-style-type: none"> • Betätigen Sie die Taste DELICATES/KNITS einmal, um zum nächsten Code zu wechseln.
A1. 00	DAUER DES VORWASCHGANGS
A1. 00	Hier wird die Länge des Vorwaschgangs (in Minuten) eingestellt. Wählen Sie 0, wenn Sie keine Vorwäsche durchführen wollen, oder wählen sie mit Hilfe der Taste PERM PRESS eine Vorwaschdauer zwischen 2 und 7 Minuten aus. <ul style="list-style-type: none"> • Betätigen Sie die Taste DELICATES/KNITS einmal, um zum nächsten Code zu wechseln.
A2. 03	DAUER DES LETZTEN SCHLEUDERGANGS
A2. 03	Hier wird die Länge des letzten Schleudergangs bei hoher Umdrehungszahl (in Minuten) eingestellt. Wählen Sie mit Hilfe der Taste PERM PRESS eine Schleuderdauer zwischen 3 und 8 Minuten aus. <ul style="list-style-type: none"> • Betätigen Sie die Taste DELICATES/KNITS einmal, um zum nächsten Code zu wechseln.

Wurde der Waschgangzähler aktiviert (9 0C), gilt Folgendes:

1 00	Anzahl der Waschgänge	$1 \underline{02} = 200$	in HUNDERTEN.
2 00	Anzahl der Waschgänge	$2 \underline{25} = 25$	in EINERN.
WASCHGÄNGE INSGESAMT = 225 cycles			

Diese Zahl kann nur angezeigt, nicht aber geändert oder zurückgesetzt werden.

- Betätigen Sie die Taste DELICATES/KNITS einmal, um zum nächsten Code zu wechseln.

ABSCHLUSS DER PROGRAMMIERUNG

Ziehen Sie erneut den Netzstecker, öffnen Sie die Bedienkonsole und stecken Sie den AA1-Stecker wieder ein. Schließen Sie die Konsole und stecken Sie den Netzstecker ein.

Diagnosemodus der Waschmaschine

Um in den Diagnosemodus zu gelangen, gehen Sie zunächst so vor, wie unter „Programmervorgang“ beschrieben. Halten Sie dann, wann immer ein Diagnosecode vorhanden ist, die Taste QUICK CYCLE im Einstellcode 6 eine Sekunde lang gedrückt.

Bei Eintritt in den Diagnosemodus blinkt das gesamte Display, ein im Laufe befindlicher Waschgang wird abgebrochen, vorhandene Guthaben werden annulliert und Diagnosecodes gelöscht. Falls ein Diagnosecode fortbesteht, muss dieser behoben werden, ehe die nachfolgenden Waschgangsoptionen aktiviert werden können.

Es gibt fünf mögliche Methoden, um einen Waschgang aus dem Diagnosemodus heraus auszulösen:

1. Waschmaschinenreinigungsgang – Betätigen Sie, während das Display blinkt, die Taste BRIGHTS.

Lassen Sie den Waschmaschinenreinigungsgang einmal im Monat laufen, um das Innere der Waschmaschine sauber zu halten. Bei diesem Programm wird ein hoher Wasserpegel eingesetzt. Benutzen Sie ein flüssiges Chlorbleichmittel, um das Waschmaschineninnere gründlich zu reinigen. Der Reinigungsgang sollte nicht unterbrochen werden.

WICHTIGER HINWEIS: Legen Sie keine Wäsche oder andere Gegenstände in die Trommel, wenn Sie einen Reinigungsgang durchführen. Leeren Sie die Trommel, bevor Sie den Reinigungsgang starten.

2. Manueller Überblickstest – Betätigen Sie, während das Display blinkt, die Taste WHITES. Bei diesem Programm werden eine Reihe von Füll-, Schleuder- und Abpumpvorgängen kombiniert, um eine umfassende Analyse des Gerätebetriebs, einschließlich der Funktion des Druckschalters und des Waschmittelspenders, zu ermöglichen.

3. Schnellschleudergang – Betätigen Sie, während das Display blinkt, die Taste COLORS. Dieses Programm ermöglicht bei Bedarf das schnelle Abpumpen der Trommel und die Entfernung von Restwasser.

4. Kurzüberblickstest – Betätigen Sie, während das Display blinkt, die Taste DELICATES/KNITS. Dieses Programm ermöglicht eine schnelle Funktionsprüfung der Einlassventile, des Waschmittelspenders und des Pumpenmotors. Darüber hinaus können die Türverriegelung sowie der Abpump- und der Schleudervorgang überprüft werden.

Die Beendigung des Diagnosemodus erfolgt durch Betätigung der Taste QUICK CYCLE. Ein zu diesem Zeitpunkt noch laufendes Diagnoseprogramm wird dadurch abgebrochen.

DIAGNOSE-CODES

Falls eines der nachstehenden Probleme aufgetreten ist, wird der entsprechende Diagnose-Code angezeigt.

d9	Niederspannung über einen Zeitraum von 8 Sekunden.
F20	Langsame Füllung. Die Waschmaschine hat 4 Minuten lang keinen Wasserzufluss festgestellt. Fehlfunktion des Druckschalters oder kein Wassereinlass. Dieser Code wird also d8 auf d7 dargestellt.
F22	Türverriegelung gestört. Es liegt eine Fehlfunktion der Türverriegelung vor, oder jemand versucht, die Waschmaschine durch Betätigung des Türschalters zu starten.

(Bei allen anderen Anzeigen muss der Kundendienst kontaktiert werden.)

EINSTELLUNGSZUGRIFFSCODE

Dieser Code kann eingegeben werden, um auf den Betriebsmodus zuzugreifen, ohne die Konsole zu entfernen. Die Münz/Guthabenoption muss auf „J_d“ gesetzt sein. Falls sich die Waschmaschine nicht im Fehlermodus befindet, muss für das weitere Vorgehen die Tür geöffnet werden. Das Eingeben des Einstellungszugriffscodes erfolgt in 6 Schritten, von denen einige zeitabhängig sind. Benutzen Sie dazu lediglich die drei unteren Programmwahltasten (1, 2, 3 von links nach rechts):

1. Halten Sie die 2 mindestens zwei und höchstens zehn Sekunden lang gedrückt.
2. Halten Sie die 1 und die 3 gleichzeitig zwei Sekunden lang gedrückt. Nun sollte das Display S 3 anzeigen.
3. Drücken Sie die 1 und die 2 gleichzeitig. Nun sollte das Display S 4 anzeigen.
4. Drücken Sie die 2 und die 3 gleichzeitig. Nun sollte das Display S 5 anzeigen.
5. Drücken Sie die 2. Nun sollte die Anzeige „codE“ erscheinen.
6. Warten Sie mindestens zwei, jedoch höchstens fünfzehn Sekunden und drücken Sie dann die folgende Nummernfolge schnell hintereinander: 3, 2, 1, 3.

HINWEIS: Falls die Eingabe des Einstellungszugriffscodes nicht genau wie oben beschrieben erfolgt, müssen Sie fünfzehn Sekunden warten, ehe Sie einen neuen Versuch unternehmen können.

Wurde der Einstellungszugriffscodes eingegeben, kann der Zugriff auf dreierlei Art und Weise beendet werden.

1. Halten Sie im Einstellungscode 8 die Taste Nr. 1 vier Sekunden lang gedrückt.
2. Lassen Sie zwei Minuten verstreichen, ohne eine Taste zu berühren. (Gilt nur, wenn kein Diagnose-Modus aktiviert ist.)
3. Schalten Sie die Waschmaschine aus und anschließend wieder ein.

HILFEMODUS DER WASCHMASCHINE

Auf diesen Modus kann zugegriffen werden, indem im Einstellcode 2.XX die Taste PERM PRESS betätigt wird.

Im Hilfemodus haben die Anzeigesymbole und-elemente die folgende Zuordnung:

Anzeigesymbol	Beschreibung
Wash (Waschen)	Waschbetriebs-Wasserstand erkannt.
*	Niederspannung erkannt (unter ca 90 V-).
° (Kreis über Ziffer)	Tür geschlossen.
DOOR LOCKED (Tür geschlossen)	Tür als verriegelt erkannt.
COLD (Kalt)	Kaltwasserrelais an.
HOT (Heiss)	Heißwasserrelais an.
OR (Oder)	Tür entriegeln.
AVAILABLE (Verfügbar)	Saugpumpe an.

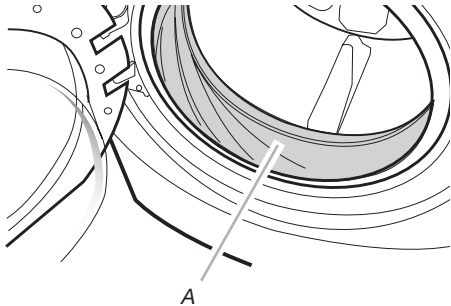
HINWEIS: Hinter der unteren Abdeckung an der Gerätevorderseite ist ein technisches Datenblatt mit den Fehlercodes und dem Geräteschaltplan befestigt.

PFLEGE UND WARTUNG DER WASCHMASCHINE

Reinigung der Waschmaschine

Reinigung der Türdichtung

1. Öffnen Sie die Waschmaschinentür und entnehmen Sie jedwede Artikel, die sich noch in der Trommel befinden.
2. Untersuchen Sie die farbige Dichtung zwischen Tür und Trommel auf Verfärbungen. Ziehen Sie die Türdichtung zurück, um die darunter befindlichen Bereiche auf Fremdkörper und Schmutz zu untersuchen.



A. Türdichtung

3. Falls Verfärbungen vorhanden sind, reinigen Sie die entsprechenden Bereiche wie nachfolgend beschrieben:
 - a) Mischen Sie 177 ml eines flüssigen Chlorbleichmittels mit 3,8 Liter warmen Leitungswassers.
 - b) Wischen Sie die Türdichtung mit einem mit dieser Lösung benetzten Lappen ab.
 - c) Lassen Sie die Lösung 5 Minuten lang einwirken.
 - d) Wischen Sie den gereinigten Bereich mit einem trockenen Lappen gründlich nach und lassen Sie die Waschmaschinentür offen stehen, damit das Geräteinnere trocknen kann.

WICHTIGER HINWEIS:

- Tragen Sie Gummihandschuhe, wenn die Reinigung voraussichtlich längere Zeit in Anspruch nehmen wird.
- Beachten Sie die Hinweise auf der Verpackung des Chlorbleichmittels.

Reinigungsprogramm

Deise Waschmaschine verfügt über ein gesondertes Reinigungsprogramm. Dieses nutzt zur gründlichen Reinigung des Waschmaschineninneren einen höheren Wasserstand in Kombination mit einem flüssigen Chlorbleichmittel.

BITTE BEACHTEN:

- Lesen Sie die nachfolgende Anleitung vollständig durch, ehe Sie das Reinigungsprogramm starten.
- Bei Bedarf kann das Reinigungsprogramm durch zweifache Betätigung der Taste QUICK CYCLE abgebrochen werden. Allerdings kommt die Waschmaschine dadurch nicht sofort zum Stillstand, sondern führt zunächst noch einige Spül- und Abpumpvorgänge durch. Auf diese Weise wird sichergestellt, dass keinerlei Rückstände des Chlorbleichmittels in der Maschine verbleiben.

Durchführung des Reinigungsprogramms

1. Öffnen Sie die Waschmaschinentür und entnehmen Sie jedwede Artikel, die sich noch in der Trommel befinden.
2. **Einsatz des flüssigen Chlorbleichmittels:**
Öffnen Sie das Waschmittelfach und füllen Sie 160 ml flüssiges Chlorbleichmittel in die für Wäschebleiche vorgesehene Kammer.
HINWEIS: In diesem Programm darf kein Waschmittel benutzt werden. Die Verwendung von mehr als 160 ml Bleichmittel beschädigt auf dauer die Waschmaschine.
3. Schließen Sie das Waschmittelfach und die Waschmaschinentür.
4. Um das Reinigungsprogramm zu starten, gehen Sie zunächst so vor, wie unter „Programmervorgang“ beschrieben. Halten Sie dann die Taste QUICK CYCLE eine Sekunde lang gedrückt. Sobald das gesamte Display blinkt, betätigen Sie die Taste BRIGHTS.

HINWEIS: Zunächst rotiert nun die Trommel, dann wird die Tür entsperrt und wieder gesperrt, und das Programm wird fortgesetzt.

- Die Trommel wird zu diesem Zeitpunkt nicht mit Wasser gefüllt, dreht sich aber im Rahmen eines kurzen Prüfgangs, der ungefähr drei Minuten in Anspruch nimmt.
5. Dabei wird festgestellt, ob sich noch Textilien oder andere Artikel in der Trommel befinden.
 - a) Ist dies nicht der Fall, wird das Programm fortgesetzt. Machen Sie beim Schritt 7 weiter.
 - b) Falls Artikel in der Trommel erkannt werden, erscheint die Anzeige „rL“ oder „F-34“. Nun wird die Tür entsperrt.
 - Betätigen Sie die Taste QUICK CYCLE, um den Fehlercode zu löschen. Wiederholen Sie dann die Arbeitsschritte 1, 3, und 4, um das Reinigungsprogramm erneut zu starten.
 6. Lassen Sie das Programm komplett durchlaufen.
 7. Nach Abschluss des Reinigungsprogramms sollte die Tür der Waschmaschine leicht geöffnet gelassen werden, damit das Waschmaschineninnere gelüftet wird und trocknen kann.

Befolgen Sie folgende Anweisungen, um das Waschmaschineninnere sauber und geruchlos zu halten:

- Benutzen Sie nur für die Verwendung in Waschmaschinen vorgesehene Waschmittel.
- Lassen Sie die Tür der Waschmaschine nach jedem Waschgang leicht geöffnet, damit das Waschmaschineninnere gelüftet wird und trocknen kann.
- Reinigen Sie die Waschmaschine einmal monatlich mit dem Reinigungsprogramm unter Verwendung von 160 ml flüssigem Chlorbleichmittel.
- Falls dieses Vorgehen nicht zu der gewünschten Sauberkeit und Geruchlosigkeit führt, prüfen Sie Ihre Installation sowie die Umstände der Benutzung der Waschmaschine, um mögliche Ursachen des Problems zu finden.

Reinigung von außen

Wischen Sie verschüttetes Waschmittel u. Ä. mit einem weichen Lappen oder Schwamm weg. Wischen Sie das Äußere der Waschmaschine gelegentlich ab, um Verschmutzung zu vermeiden. Benutzen Sie dazu ein mildes Reinigungsmittel und Wasser. Verwenden Sie keine Scheuermittel.

Reinigung des Waschmittelfachs

Das Waschmittelfach kann zu Reinigungszwecken aus der Maschine entnommen werden.

1. Entsperren Sie das Waschmittelfach durch Betätigung des Ausrückhebels. Entnehmen Sie das Waschmittelfach.
2. Entfernen Sie die Einsätze (die Gitter aus den Weichspüler- und Wäschebleichkammern).
3. Säubern Sie die Teile unter laufendem Wasser.

HINWEIS: Waschmittelfach und Einsätze sind nicht geschirrspülerfest.

4. Fügen Sie die Einsätze wieder in das Waschmittelfach und das Waschmittelfach in die Maschine ein.

Zulaufschläuche

Die Zulaufschläuche sollten alle 5 Jahre ausgetauscht werden, um einem Platzen der Schläuche infolge von Materialermüdung vorzubeugen. Untersuchen Sie die Schläuche in regelmäßigen Abständen auf Ausbeulungen, Knicke, Risse, Abnutzungserscheinungen und sonstige Beschädigungen und ersetzen Sie sie gegebenenfalls.

Notieren Sie jeweils das Datum, an dem die Schläuche ausgetauscht wurden.

REPARATUR- UND KUNDENDIENST

Bevor Sie einen Anruf machen und nach Unterstützung oder Service fragen, überprüfen Sie bitte den Abschnitt "Fehlerbehebung". Dadurch könnten Sie Reparaturkosten sparen. Wenn Sie jedoch darüber hinaus Hilfe benötigen, kontaktieren Sie bitte den Händler, bei dem Sie das Gerät gekauft haben, oder eine von Whirlpool bestimmte Dienstleistungsfirma.

Bei Ihrem Anruf geben Sie bitte das Kaufdatum und die komplette Modell- und Seriennummer des Geräts an. Diese Information wird uns helfen, Ihre Anfrage besser zu beantworten.

Zusätze

Verbessern Sie Ihre Waschmaschine mit diesem hochwertigen Zubehör. Für weitere hochwertige Qualitätsartikel oder Bestellungen, wenden Sie sich bitte an Ihren autorisierten Whirlpool-Händler.

Teilenummer	Zusatz
8212526	Tropfschale für die Waschmaschine, passt unter alle Geräte
31682	Allzweck-Gerätereiniger
1903WH	Lagerwagen für Waschzubehör

Whirlpool Corporation, Benton Harbor, Michigan 49022, USA.

Manufacturer site: Whirlpool Mexico S.A. de C.V., Antigua Carretera a Roma Km 9,
Col. El Milagro, Apodaca, Nuevo León, C.P. 66634, Mexico.

EU representative: Whirlpool UK Ltd, Croydon, CR9 4RY, UK
Bauknecht Hausgeräte GmbH, D-73614 Schorndorf

W10353863B

© 2012

All rights reserved.

Tous droits réservés.

Todos los derechos reservados.

Tutti i diritti riservati.

Alle Rechte vorbehalten.

06/12

Printed in Mexico

Imprimé au Mexique

Impreso en México

Stampato in Messico

Gedruckt in Mexiko