

Installation Instructions

for your new

KitchenAid®

COMPACTOR

BEFORE YOU USE YOUR COMPACTOR . . .

Be sure your compactor is properly installed in an appropriate level area and a place suitable for the size, function and protection of the compactor.

ELECTRICAL REQUIREMENTS

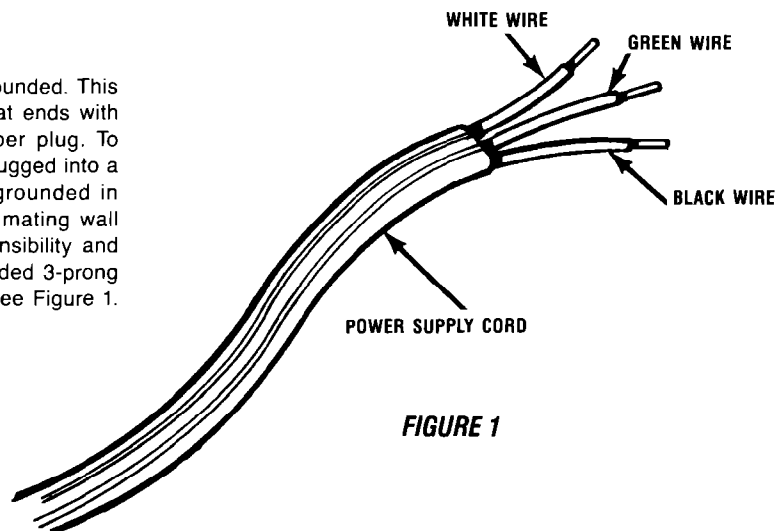
Observe All Governing Codes and Ordinances

A 230 volt, 50 Hz, AC only, 5 ampere, fused electrical supply is required. (Time-delay fuse or circuit breaker is recommended.) It is recommended that a separate circuit serving only this appliance be provided. DO NOT use an extension cord.

RECOMMENDED GROUNDING METHOD

DO NOT, UNDER ANY CIRCUMSTANCES, REMOVE THE POWER SUPPLY CORD GROUND PRONG.

For your personal safety, this appliance must be grounded. This appliance is equipped with a power supply cord that ends with three wires. You must supply and install the proper plug. To minimize possible shock hazard, the cord must be plugged into a mating 3-prong grounding type wall receptacle, grounded in accordance with local codes and ordinances. If a mating wall receptacle is not available, it is the personal responsibility and obligation of the customer to have a properly grounded 3-prong wall receptacle installed by a qualified electrician. See Figure 1.



—IMPORTANT—

**DO NOT REMOVE THIS INSTRUCTION SHEET UNTIL READY FOR INSTALLATION.
AFTER COMPLETING THE INSTALLATION, SAVE THESE INSTRUCTIONS FOR FUTURE USE.**

INSTALLATION INSTRUCTIONS

BEFORE YOU BEGIN, READ THE FOLLOWING INSTRUCTIONS COMPLETELY AND CAREFULLY. THEY WILL SIMPLIFY THE INSTALLATION.

1. After removing the shipping carton, be sure to remove all protective packaging materials such as tape and shipping pads. Waxy residue from protective shipping material may be removed from compactor with a mild solution of liquid household cleaner and water.
2. Measure the area you wish to install the compactor in. It must be at least 34½" (87.6 cm) high, 24" (61 cm) deep, and 15⅞" (38.4 cm) wide. See Figure 2.

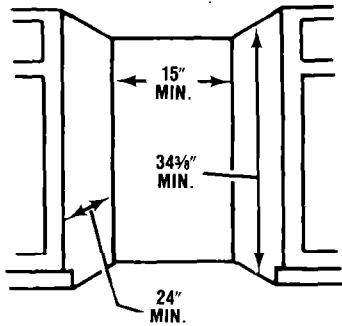


FIGURE 2

The compactor's overall dimensions are: Height 34⅜ inches (87.3 cm), Depth 24 inches (61.0 cm), and Width 15 inches (38.1 cm). See Figure 3.

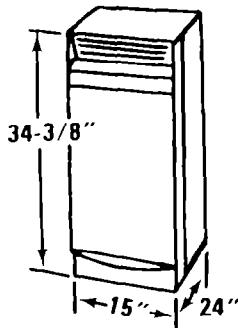


FIGURE 3

3. When installing your compactor, it is desirable to leave at least 6 inches (15.0 cm) clearance from the right edge of the drawer front for convenient bag removal. Also allow 23 inches (58.4 cm) in front of the appliance for drawer removal. See Figure 4.

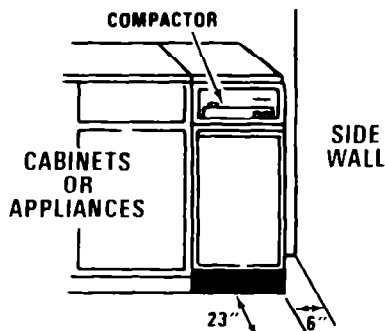


FIGURE 4

4. The recess must have a grounded outlet 18" min. (45 cm) above the floor as shown in Figure 5.

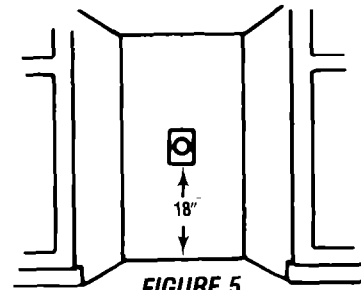


FIGURE 5

5. Be sure the cord clip on the cord is attached to the clip to the rear of the cabinet as shown in Figure 6.

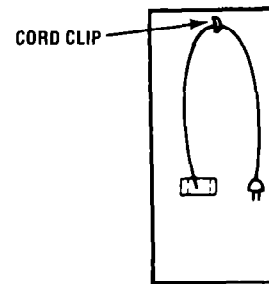


FIGURE 6

6. To prevent the power supply cord from being pinched, or the power supply cord plug from being crushed, install a stop block at the lower rear corners of the recessed opening. The blocks should be at least ¾" (1.27 cm) deep by 2" (5.1 cm) wide, by 2" (5.1 cm) high. See Figure 7. for details.

NOTE: Measure the front to back distance of the opening. To have the front of the compactor cabinet align with the adjacent cabinets, the stop block may need to be more than ¾" (1.9 cm) deep. Subtract 23" (58.4 cm) from the depth of the opening. This is the depth dimension of the stop block.

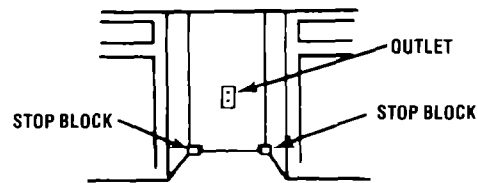


FIGURE 7

7. Remove drawer as shown:
 - a. Grip handle and raise front of drawer until it clears stops. See Figure 8.
 - b. Grasp side ridges of the drawer and lift drawer out. See Figure 9.

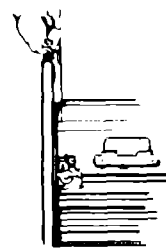


FIGURE 8



FIGURE 9

8. Remove any materials that are shipped in the drawer.
9. Lay two carton corner posts or other protective material (such as a throw rug) on the floor, then lay the unit on either of its sides on the corner posts. The corner posts will protect the finish of the compactor and the floor. See Figure 10 *NOTE: Do not truck or handle by console.*

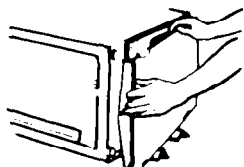


FIGURE 10

NOTE: Do not move or slide the compactor on the floor until the feet have been pre-adjusted. Pre-adjust the leveling feet by turning them outward. A suitable hand tool may be required to pre-adjust leveling feet. Stand compactor upright.

10. Stand compactor upright. Level the compactor by adjusting the four leveling screws. Level unit left to right and front to back. See Figure 11.

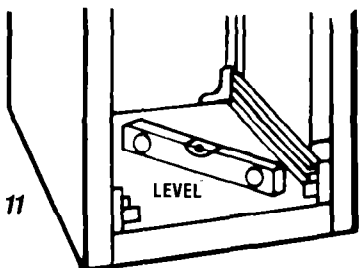


FIGURE 11

11. Plug the power supply cord into the grounded outlet.
12. Slide the compactor back into the recess until the compactor is against the stop blocks.
13. Replace drawer by grasping side ridges of drawer (Figure 9). Place drawer onto tracks lifting the front to clear stops (Figure 8). Close drawer.
14. Read Use and Care Guide for complete details on how to operate and care for your compactor.

ADJUSTABLE TOE PLATE

In some installations, the toe plate may rub the floor covering. If this occurs, the toe plate clearance may be changed as follows:

1. Determine the amount of interference of the toe plate with the floor covering.
2. Remove the drawer from the unit. (Refer to Step 4, Page 2 of the Installation Instructions.)
3. Lay drawer so the front panel faces upward. Protect the floor.
4. With a ruler and a pencil or chalk, draw a line where the toe plate interferes with the floor covering.
5. Use a pair of scissors and cut toe plate along this line. See Figure 12.
6. Replace drawer in unit.

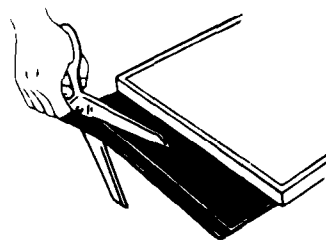


FIGURE 12

CHANGING FRONT PANEL COLOR

During installation, or in the future, you may wish to change the front panel color. Your compactor has two reversible front panels which offer four color options: Harvest Gold, Black, Almond and White. See panel assembly in Figure 13.

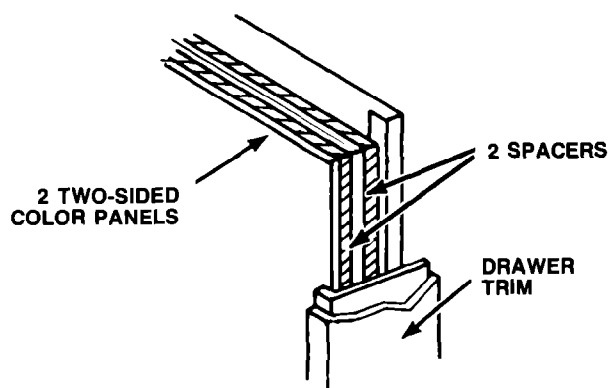


FIGURE 13

CAUTION: The panels have cut metal edges. Handle carefully to avoid cuts to hands and scratches on panels.

To change the front panel color:

1. Remove the drawer from the unit. (See Step 4 of the Installation Instructions.)
2. Remove handle by removing the screws at the top inside of the drawer.
3. Remove spacer and inside panel. See *Figure 13*.
4. Remove spacer and center panel if supplied.
5. Remove outside front panel. DO NOT SCRATCH.
6. Select the color you wish to have showing and carefully push the panel in the drawer trim.
7. Replace the spacer, then carefully replace the remaining panels and spacers on the inside.
8. Replace the handle with the screws removed in Step 2 above.
9. Replace the drawer.

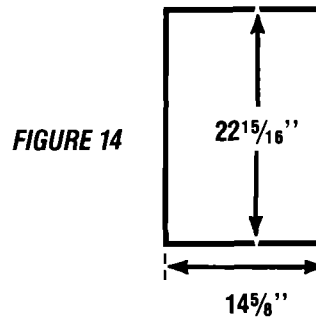
CAUTION: REPLACE HANDLE BEFORE OPERATING COMPACTOR TO AVOID INJURY FROM MOVING PARTS.

CUSTOM DECORATING

In place of the panel pack, you may use a ¼" thick wood panel to match your cabinets or other suitable decorative material. See *Figure 14*.

To do so:

1. Follow Steps 1 through 5 under Changing Panel Color. Also remove all cardboard.
2. Slide decorative panel between trim pieces.
3. Remount handle with screws previously removed.
4. Slide the drawer into the unit.
5. Paint, wallpaper, fabric, etc., can be applied directly to one of the panels.



BEFORE YOU CALL FOR SERVICE

If your compactor does not seem to be operating properly, check the following before calling for service:

If the compactor won't operate:

- Is the electric cord securely plugged in?
- Have you checked the main fuse or circuit breaker box?
- Is the drawer completely closed?
- Is the key-knob turned all the way to START before it is released?

If compactor stops during operation:

- Push drawer in while turning key-knob to start. Repeat if necessary. Rearrange trash load – do not load rigid items at front of drawer.

Trash not compacted:

- Drawer must be at least ⅓ full to see compaction.

Not enough compaction or force:

- Compacting works best when only a few items are loaded. Use the compacting cycle frequently.

Bottles don't break:

- Not all bottles will break every time, depending upon trash load below it.

Drawer won't open:

- Drawer will open only when ram is all the way up. To raise the ram, push drawer in firmly; turn key-knob to START; release key-knob. Open drawer; lay cans and bottles flat in center of drawer. Start compactor again.