

**INSTALLER: LEAVE THESE INSTRUCTIONS WITH THE HOMEOWNER.
HOMEOWNER: RETAIN THESE INSTRUCTIONS FOR FUTURE REFERENCE.**

Wiring Diagrams are included in this package.



INSTALLATION INSTRUCTIONS

FOR 24" GAS BUILT-IN WALL OVEN (Short Model)

Before you begin, read the following instructions completely and carefully. If followed, they will simplify the installation job.

IMPORTANT: OBSERVE ALL GOVERNING CODES AND ORDINANCES.

FOR YOUR SAFETY...

IF YOU SMELL GAS:

- 1. OPEN WINDOWS.**
- 2. DON'T TOUCH ELECTRICAL SWITCHES.**
- 3. EXTINGUISH ANY OPEN FLAME.**
- 4. IMMEDIATELY CALL YOUR GAS SUPPLIER.**

FOR YOUR SAFETY

DO NOT STORE OR USE GASOLINE OR OTHER FLAMMABLE VAPORS AND LIQUIDS IN THE VICINITY OF THIS OR ANY OTHER APPLIANCE.

INSTALLATION REQUIREMENTS

This installation must conform with the American National Standard, National Fuel Gas Code ANSI Z223.1-1980* and local codes and ordinances.

MOBILE HOME INSTALLATION REQUIREMENTS ARE LISTED ON PAGE 4.

Input ratings shown on the rating plate (serial tag) are for elevations up to 2,000 feet. For elevations above 2,000 feet, ratings should be reduced at a rate of 4% for each 1,000 feet above sea level.

PROPER GAS SUPPLY

1. This unit is manufactured for use with NATURAL GAS. It can be converted for use on LP GAS. The rating plate located under the main top has the information on the type of gas this unit can be used with. When in doubt check with your local gas supplier.
2. Provide a gas supply line to the unit location. We suggest using a 3/4" rigid pipe, as smaller size pipe on long runs may result in the gas supply not being sufficient. Pipe joint compounds resistant to the action of LP gas must be used.
3. The supply line should be equipped with a shutoff valve. This valve should always be located in the same room as the range and should be in a location that allows ease of opening and closing. Do not block access to the shutoff valve.
4. If local codes permit, it is recommended that flexible metal tubing design-certified by the American Gas Association, be used for connecting the appliance to the gas supply line. (The gas valve connection will accept a 3/8" male pipe thread.)
5. If rigid pipe is used as a gas supply line, a combination of pipe fittings must be used to obtain an in-line connection to the unit.
6. The gas pressure regulator on this model is convertible and must be used. This regulator can be used on either NATURAL or LP gases. The pressure regulator has fixed outlet pressure at NATURAL and LP settings and these cannot be changed. The fixed outlet pressure on NATURAL gas setting is 4 inches W.C. On the LP gas setting the outlet pressure is 10 inches W.C.

* Copies of the standard listed above may be obtained from:

AMERICAN GAS ASSOCIATION
1515 Wilson Boulevard
Arlington, Virginia 22209

INLET PRESSURE

The inlet pressure to the regulator should be as follows for both operation and checking regulator setting:

NATURAL GAS:

Minimum pressure 5 inches W.C.
Maximum pressure 14 inches W.C.

LP GAS:

Minimum pressure 11 inches W.C.
Maximum pressure 14 inches W.C.

LINE PRESSURE TESTING

a. Testing ABOVE $\frac{3}{4}$ Pound Per Square Inch (Gauge)

The appliance and its individual shutoff valve must be disconnected from the gas supply piping system during any pressure testing of that system at test pressures in excess of $\frac{1}{2}$ psig.

b. Testing AT $\frac{1}{2}$ Pound Per Square Inch (Gauge) OR LOWER

The appliance must be isolated from the gas supply piping system by closing its individual manual shutoff valve during pressure testing of the gas supply piping system at test pressure equal to or less than $\frac{1}{2}$ psig.

To convert from NATURAL to LP gas.

- Change pressure regulator setting from NATURAL to LP (See To Convert Pressure Regulator.)
- Screw the burner orifices hoods down tight against the orifice pins. DO NOT OVER TORQUE.
- Remove the oven control knob and the porcelain panel and turn the select-a-gas screw to the LP position. This screw is located on the oven control (thermostat). The mid position turns the oven pilot off.
- Adjust the burner air shutter to the widest opening that will not cause the flame to lift or blow off of the burner.

To convert the pressure regulator. Note: The type of gas for which the regulator is set is stamped on the aluminum plug on the top of the regulator (either NAT or LP).

To change the regulator setting:

Remove the aluminum hex nut (plug) with a wrench or coin. Turn the hex nut or plug over and screw it back into the regulator. Caution: Do not over tighten.

If the unit is to be used on a NATURAL gas, NAT should be visible on the regulator plug. If the unit is to be used on LP gas, LP should be visible on the regulator plug.

OBSERVE ALL GOVERNING CODES AND ORDINANCES

ELECTRICAL REQUIREMENTS

A 115 Volt, 60 Hz, AC only, 15 Ampere fused electrical supply is required (time delay fuse or circuit breaker is recommended). It is recommended that a separate circuit serving only this appliance be provided. DO NOT use an extension cord.

RECOMMENDED GROUNDING METHOD

Electrical ground is required on this appliance.

DO NOT, UNDER ANY CIRCUMSTANCES, CUT OR REMOVE THE POWER SUPPLY CORD GROUND PRONG.

For your personal safety, this appliance must be grounded. This appliance is equipped with a power supply cord having a 3-prong grounding plug. To minimize possible shock hazard, the cord must be plugged into a mating 3-prong grounding type wall receptacle, grounded in accordance with the National Electrical Code, ANSI/NFPA NO. 70-1981 ** and local codes and ordinances. If a mating receptacle is not available, it is the personal responsibility and obligation of the customer to have a properly grounded 3-prong wall receptacle installed by a qualified electrician. See Figure 1.

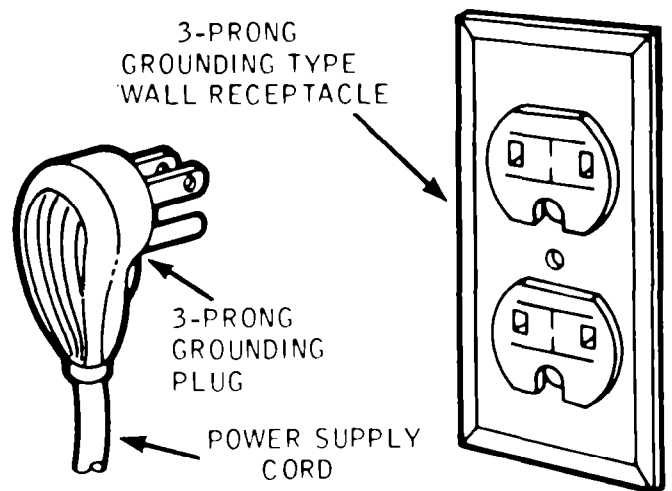


FIGURE 1

** Copies of the standard listed above may be obtained from:

NATIONAL FIRE PROTECTION ASSOCIATION
470 Atlantic Avenue
Boston Massachusetts 02210

SPACE REQUIREMENTS

1. Do **not** install beneath work counter.
NOTE: The recess in which the oven is to be installed shall be constructed so as to provide a complete closure around the recessed portion of the unit, except for the vent thimble when externally vented. Any openings around gas and electric service outlets shall be closed at the time of installation. Air for combustion enters at the extreme bottom of the front panel. Do not block or obstruct this opening.
2. Refer to Figure 2 for the size of the cabinet opening needed and the location of the gas and electrical supply.

REMOVE SHIPPING SKID AND AND PACKING MATERIAL

Using the 4 carton corner posts (stack 2 high) lay the unit on its back. Remove the four shipping skid bolts.

Remove all packing material, tape and protective film on some chrome plated or stainless steel parts before the unit is installed.

INSTALLATION PROCEDURE

1. Move the unit to its approximate operating position. (See Venting Instruction, below, if unit is to be vented to outside).

2. ANCHORING UNIT IN CABINET

- a. Level and equally space the unit from each side of cut-out in the cabinet.
 - b. Anchor unit in cabinet with four special screws, which are shipped with the unit. (NOTE: The screws may be slanted slightly to catch wood cabinet on each side of cabinet cutout.)
3. Connect the gas supply line.
 4. Plug the range power supply cord into the grounded receptacle.
 5. Check for gas leaks with soapy water.

When the unit is connected, and all gas valves have been closed, turn on main supply, but before lighting the oven or putting it to use, test all supply line connections and unit itself for leaks. This unit has been factory tested for leaks, but sometimes connections work loose in transit. **NEVER TEST FOR FOR LEAKS WITH A LIGHTED MATCH OR OTHER FLAME.** Apply a thin solution of soapy water, if any leaks are present, bubbles will form at the point of leakage. If a leak is discovered it must be stopped before the unit is put into operation. After checking for leaks, wipe the soap solution off of the components. Joint compounds used must be resistant to the action of liquified petroleum gases. Any opening in the wall or floor, behind or under the unit must be sealed.

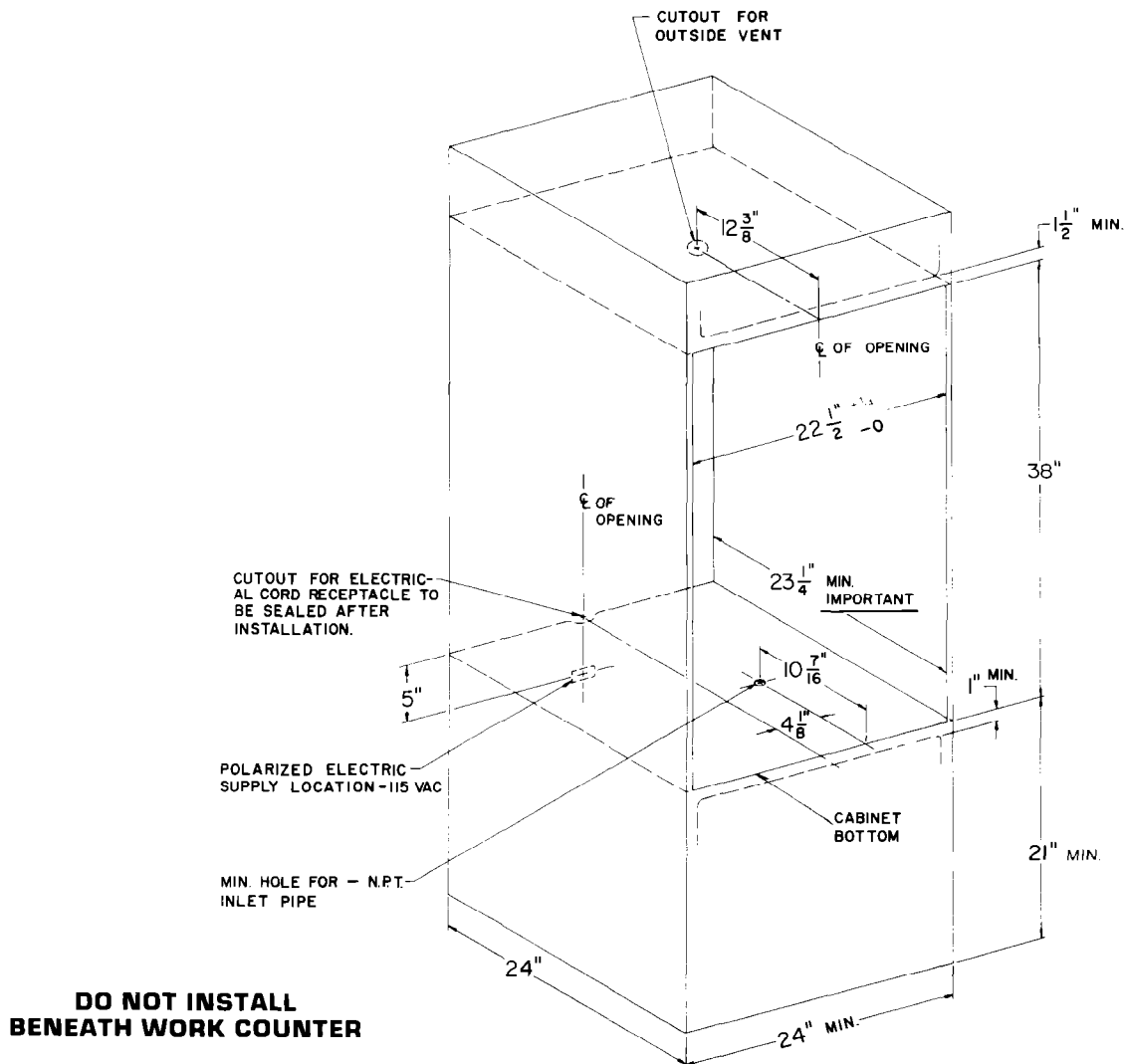


Figure 2

VENTING INFORMATION

TO CONNECT OUTSIDE VENT IF EQUIPPED (OPTIONAL EQUIPMENT)

When outside venting is required it must conform to local ordinances as to size of openings and clearances. Type B-1 vent pipe (4" inside diameter, 6" outside diameter) must be used.

When outside vent is used, the vent pipe must be mechanically fastened to the flue collar. Remove vent collar shipping cover and attach vent pipe with a sheet metal screw through hole used for vent collar shipping cover.

WARNING: Disconnect Electrical Power (See Below)

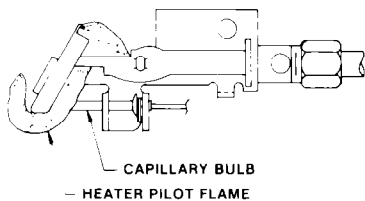
- Remove 4 screws holding aluminum trim at top of enamel, clock panel.
- Pull panel forward and lay on door handle.
- Remove screws holding back closure plate of the control compartment.
- Tilt the top of the plate forward and lift out.
- Fasten vent pipe to flue collar through hole used to secure vent collar cover.

FOR INSTALLATION IN MOBILE HOME

If unit is installed in a mobile home the installation must conform with the Federal Standard for Mobile Home Construction and safety, Title 24, HUD (Part 280) or, when such standard is not applicable, with local codes.

GAS ADJUSTMENTS

Refer to Use and Care Guide for lighting oven pilot and for correct size of oven burner flame. Correctly adjusted oven pilot is shown below.



Adjust the burner air shutters to the widest opening that will not cause the flame to lift or blow off of the burner.

WIRING DIAGRAM LOCATION

Wiring diagrams are located inside the control compartment and with these instructions please examine before attempting service work.

ELECTRICAL DISCONNECTION:

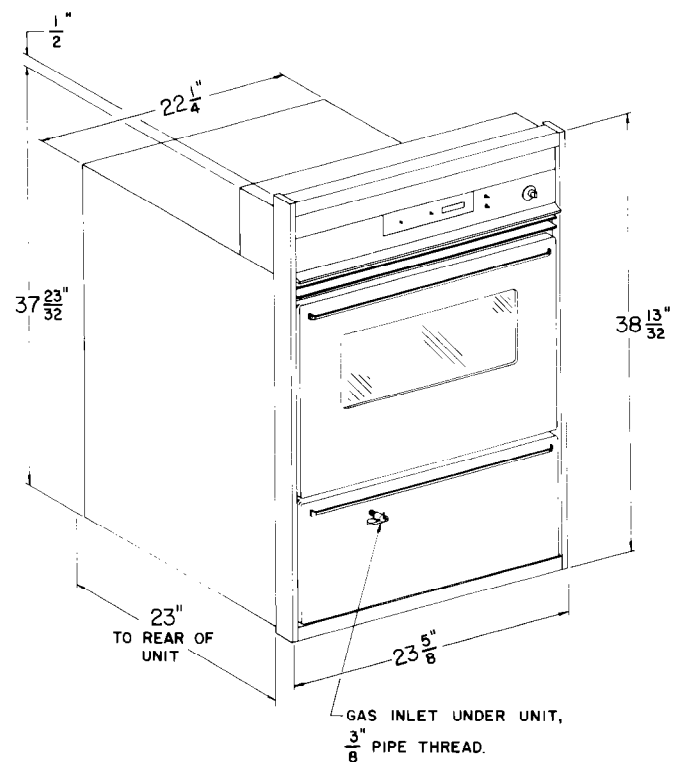
To disconnect electrical power to unit:


- Remove broiler compartment bottom.
- Pull female plug out of socket.

TO RECONVERT RANGE FROM LP TO NAT. GAS

- Change pressure regulator setting from LP to NAT. (See To Convert Pressure Regulator).
- Screw the burner orifice hoods away from the orifices pins.
- Remove the oven control knob and turn the select-a-gas screw to the NAT. position. This screw is located on the oven control (thermostat). The mid position turns the oven pilot off.
- Adjust the burner air shutters to the widest opening that will not cause the flame to lift or blow off of the burner.

OVERALL DIMENSIONS





In the event your WHIRLPOOL appliance should need service, call the dealer from whom you purchased the appliance or a WHIRLPOOL franchised TECH-CARE service company. He is in the Yellow Pages of your telephone directory listed under Appliance - Household - Major service and repair. You can also obtain his name and number by dialing free, within the continental United States (except Alaska), the Whirlpool COOL-LINE Service (800) 253-1301. When calling from Michigan, dial (800) 632-2243. From Alaska or Hawaii, dial (800) 253-1121. Dial just as you normally dial long distance. A special operator will tell you the name and number of your nearest Whirlpool TECH-CARE service outlet. During normal working hours, Whirlpool consultants at this same number will also answer any questions about operating or maintaining your appliance which are not covered in your Use and Care Guide.

Learn the benefits of using TECH-CARE service for maintaining the quality originally built into your WHIRLPOOL appliance.

