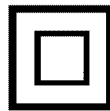
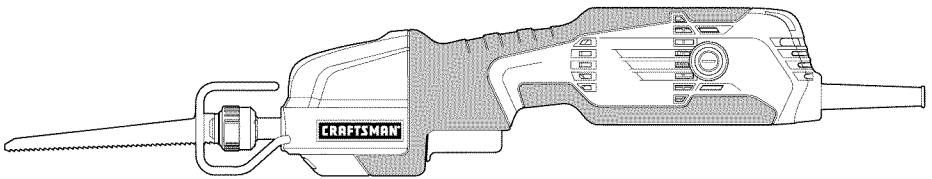


Operator's Manual



4.0 Amp RECIPROCATING SAW

Model No. 320.17291



⚠ WARNING: To reduce the risk of injury, the user must read and understand the Operator's Manual before using this product.

- WARRANTY
- SAFETY
- DESCRIPTION
- ASSEMBLY
- OPERATION
- MAINTENANCE
- TROUBLESHOOTING
- ESPAÑOL

Sears Brands Management Corporation Hoffman Estates, IL 60179 U.S.A.

www.craftsman.com

TABLE OF CONTENTS

Warranty	Page 2
Safety Symbols	Page 3-4
General Safety Instructions	Page 5-8
Description	Page 9-10
Assembly	Page 10
Operation	Page 10-15
Maintenance	Page 16-17
Troubleshooting	Page 18
Exploded View and Parts List	Page 19-20
Sears Repair Parts Phone Number	Back Cover

CRAFTSMAN ONE YEAR LIMITED WARRANTY

FOR ONE YEAR from the date of purchase, this product is warranted against any defects in material or workmanship. With proof of purchase, defective product will be replaced free of charge.

For warranty coverage details to obtain free replacement, visit the web site: www.craftsman.com

This warranty does not cover the blade, which is an expendable part that can wear out from normal use within the warranty period.

This warranty is void if this product is ever used while providing commercial services or if rented to another person.

This warranty gives you specific legal rights, and you may also have other rights which vary from state to state.

Sears Brands Management Corporation, Hoffman Estates, IL 60179

INTRODUCTION

SAVE THESE INSTRUCTIONS!

READ ALL INSTRUCTIONS!

This reciprocating saw has many features for making its use more pleasant and enjoyable. Safety, performance, and dependability have been given top priority in the design of this product, making it easy to maintain and operate.

⚠ WARNING: Some dust created by using power tools contains chemicals known to the state of California to cause cancer and birth defects or other reproductive harm.

SAFETY SYMBOLS

The purpose of safety symbols is to attract your attention to possible dangers.

The safety symbols and the explanations with them deserve your careful attention and understanding. The symbol warnings do not, by themselves, eliminate any danger. The instructions and warning they give are no substitutes for proper accident prevention measures.

⚠ WARNING: Be sure to read and understand all safety instructions in this manual, including all safety alert symbols such as “**DANGER**,” “**WARNING**,” and “**CAUTION**” before using this reciprocating saw. Failure to follow all instructions listed in this manual may result in electric shock, fire and/or serious personal injury.

SYMBOL SIGNAL MEANING

⚠ SAFETY ALERT SYMBOL: Indicates **DANGER, WARNING, OR CAUTION**. May be used in conjunction with other symbols or pictographs

⚠ DANGER: Indicates an imminently hazardous situation, which, if not avoided, will result in death or serious injury.

⚠ WARNING: Indicates a potentially hazardous situation, which, if not avoided, could result in death or serious injury.

⚠ CAUTION: Indicates an imminently hazardous situation, which, if not avoided, may result in death or serious injury.

Damage Prevention and Information Messages

These inform the user of important information and/or instructions that could lead to equipment or other property damage if they are not followed. Each message is preceded by the word “NOTE,” as in the example below:

NOTE: Equipment and/or property damage may result if these instructions are not followed.










⚠ WARNING: To ensure safety and reliability, all repairs should be performed at a Sears Parts & Repair Service Center.



WARNING: The operation of any power tools can result in foreign objects being thrown into your eyes, which can result in severe eye damage. Before beginning power tool operation, always wear safety goggles or safety glasses with side shield and a full face shield when needed. We recommend a Wide Vision Safety Mask for use over eyeglasses or standard safety glasses with side shields. Always use eye protection which is marked to comply with ANSI Z87.1

SAVE THESE INSTRUCTIONS

Some of these following symbols may be used on this tool. Please study them and learn their meaning. Proper interpretation of these symbols will allow you to operate the tool better and more safely.

SYMBOL	NAME	DESIGNATION/EXPLANATION
V	Volts	Voltage
A	Amperes	Current
Hz	Hertz	Frequency (cycles per second)
W	Watt	Power
min	Minutes	Time
~	Alternating Current	Type of current
≡	Direct Current	Type or a characteristic of current
n_0	No Load Speed	Rotational speed, at no load
	Class II Construction	Double-insulated construction
.../min	Per Minute	Revolutions, strokes, surface speed, orbits, etc., per minute
	Wet Conditions Alert	Do not expose to rain or use in damp locations.
	Read The Operator's Manual	To reduce the risk of injury, user must read and understand operator's manual before using this product.
	Eye Protection	Always wear safety goggles or safety glasses with side shields and a full face shield when operating this product.
	Safety Alert	Precautions that involve your safety.
	No Hands Symbol	Failure to keep your hands away from the blade will result in serious personal injury.
	No Hands Symbol	Failure to keep your hands away from the blade will result in serious personal injury.
	No Hands Symbol	Failure to keep your hands away from the blade will result in serious personal injury.
	No Hands Symbol	Failure to keep your hands away from the blade will result in serious personal injury.
	Hot Surface	To reduce the risk of injury or damage, avoid contact with any hot surface.

SAFETY INSTRUCTIONS

GENERAL POWER TOOL SAFETY WARNINGS

⚠ WARNING: Read all safety warnings and instructions. Failure to follow the warnings and instructions may result in electric shock, fire and/or serious injury.

Save all warnings and instructions for future reference.

The term “power tool” in the warnings refers to your mains-operated (corded) power tool or battery-operated (cordless) power tool.

WORK AREA SAFETY

- **Keep work area clean and well lit.** Cluttered or dark areas invite accidents.
- **Do not operate power tools in explosive atmospheres, such as in the presence of flammable liquids, gases or dust.** Power tools create sparks which may ignite the dust or fumes.
- **Keep children and bystanders away while operating a power tool.** Distractions can cause you to lose control.

ELECTRICAL SAFETY

- **Power tool plugs must match the outlet. Never modify the plug in any way. Do not use any adapter plugs with earthed (grounded) power tools.** Unmodified plugs and matching outlets will reduce risk of electric shock
- **Avoid body contact with earthed or grounded surfaces such as pipes, radiators, ranges and refrigerators.** There is an increased risk of electric shock if your body is earthed or grounded.
- **Do not expose power tools to rain or wet conditions.** Water entering a power tool will increase the risk of electric shock.
- **Do not abuse the cord. Never use the cord for carrying, pulling or unplugging the power tool. Keep cord away from heat, oil, sharp edges or moving parts.** Damaged or entangled cords increase the risk of electric shock.
- **When operating a power tool outdoors, use an extension cord suitable for outdoor use.** Use of a cord suitable for outdoor use reduces the risk of electric shock.
- **If operating a power tool in a damp location is unavoidable, use a residual current device (RCD) protected supply.** Use of an RCD reduces the risk of electric shock.
- **NOTE:** The term “residual current device (RCD)” maybe replaced by the term “ground fault circuit interrupter (GFCI)” or “earth leakage circuit breaker (ELCB)”.

PERSONAL SAFETY

- **Stay alert, watch what you are doing and use common sense when operating a power tool. Do not use the tool while tired or under the influence of drugs, alcohol, or medication.** A moment of inattention while operating power tools may result in serious personal injury.
- **Use personal protective equipment. Always wear eye protection.** Protective equipment such as dust mask, non-skid safety shoes, hard hat, or hearing protection used for appropriate conditions will reduce personal injuries.
- **Prevent unintentional starting. Ensure that the switch is in the OFF position before connecting to a power source and/or battery, picking up or carrying the tool.** Carrying power tools with your finger on the switch or energizing power tools that have the switch on invites accidents.
- **Remove any adjusting key or wrench before turning the power tool on.** A wrench or a key left attached to a rotating part of the power tool may result in personal injury.
- **Do not overreach. Keep proper footing and balance at all times.** This enables better control of the power tool in unexpected situations.
- **Dress properly. Do not wear loose clothing or jewelry. Keep your hair, clothing and gloves away from moving parts.** Loose clothes, jewelry or long hair can be caught in moving parts.
- **If devices are provided for the connection of dust extraction and collection facilities, ensure that these are connected and properly used.** Use of these devices can reduce dust-related hazards.

POWER TOOL USE AND CARE

- **Do not force the power tool. Use the correct power tool for your application.** The correct power tool will do the job better and more safely at the rate for which it was designed.
- **Do not use the power tool if the switch does not turn it on and off.** Any power tool that cannot be controlled with the switch is dangerous and must be repaired.
- **Disconnect the plug from the power source and/or the battery from the power tool before making any adjustments, changing accessories, or storing power tools.** Such preventive safety measures reduce the risk of starting the power tool accidentally.
- **Store idle power tools out of the reach of children and do not allow persons unfamiliar with the power tool or these instructions to operate the power tool.** Power tools are dangerous in the hands of untrained users.
- **Maintain power tools. Check for misalignment or binding of moving parts, breakage of parts and any other condition that may affect the**

power tool operation. If damaged, have the power tool repaired before use. Many accidents are caused by poorly maintained power tools.

- **Keep cutting tools sharp and clean.** Properly maintained cutting tools with sharp cutting edges are less likely to bind and are easier to control.
- **Use the power tool, accessories, tool bits, etc., in accordance with these instructions, taking into account the working conditions and the work to be performed.** Use of the power tool for operations different from those intended could result in a hazardous situation.

⚠ WARNING: When using power tools, basic safety precautions should always be followed to reduce the risk of fire, electric shock, and personal injury.

⚠ WARNING: The operation of any tool can result in foreign objects being propelled into your eyes, resulting in severe eye damage. When operating power tool, always wear safety goggles or safety glasses with side shields and a full face shield when needed.

⚠ WARNING: If any parts are missing, do not operate the tool until the missing parts have been replaced. Doing so could result in serious personal injury.

SERVICE SAFETY

- **Have your power tool serviced by a qualified repair person using only identical replacement parts.** This will ensure that the safety of the power tool is maintained.
- **If any part of this reciprocating saw is missing or should break, bend, or fail in any way; or should any electrical component fail to perform properly:** shut off the power switch and remove the saw plug from the power source and have the missing, damaged, or failed parts replaced before resuming operation.
- **Tool service** must be performed only at a Sears Parts & Repair Service Center. Service or maintenance performed by unqualified personnel could result in a risk of injury.
- **Use only identical replacement parts** when servicing a tool. Follow the instructions in the maintenance section of this manual. Use of unauthorized parts or failure to follow maintenance instructions may create a risk of electric shock or injury.

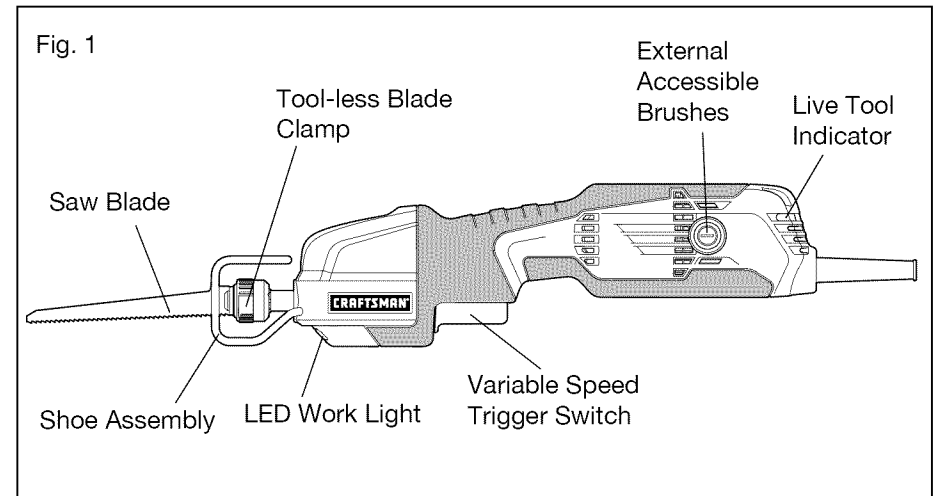
SPECIFIC SAFETY RULES FOR RECIPROCATING SAW

- **Hold power tool by the insulated gripping surfaces when performing an operation where the cutting accessory may contact hidden wiring or its own cord.** Cutting accessory contacting with a “live” wire may make exposed metal parts of the power tool “live” and give the operator an electric shock.

- **Use clamps or another practical way secure and support the work piece to a stable platform.** Holding the work by hand or against your body leaves it unstable and may lead to loss of control.
- **Always remove the plug from the electrical supply before changing the saw blade and /or adjusting the saw base.**
- **The saw blade must be secured in the blade clamp.** Check that it is securely locked before use.
- **Make certain all adjusting screws and the blade clamp are tight before making a cut.** Loose adjusting screws and holders can cause the tool or blade to slip and loss of control may result.
- **Check that the switch is “OFF” before plugging the tool in.** Accidental starting could cause injury.
- **Secure material before cutting.** Never hold it in your hand or across legs. Small or thin material may flex or vibrate with the blade, causing loss of control.
- **Never touch the saw blade after immediate use.** It may be hot after prolonged use.
- **Always wear safety goggles or eye protection when using this tool.** Use a dust mask or respirator or connect the tool with an external dust vacuum if the cutting generates a great amount of dust.
- **Keep hand away from cutting area. Do not reach under the material being cut.** The proximity of the blade to your hand is hidden from your sight.
- **Do not use dull or damaged saw blades and accessories.**

DESCRIPTION

KNOW YOUR RECIPROCATING SAW (Fig. 1)



PRODUCT SPECIFICATIONS	
Motor	120V ~ 60 Hz, 4A
No load Speed	0-3500 Strokes/Min
Blade stroke	1/2 in.
Weight	4 lbs. (1.8kg)

⚠ WARNING: The safe use of this product requires an understanding of the information on the tool and in this operator’s manual, as well as knowledge of the project you are attempting. Before use of this product, familiarize yourself with all operating features and safety rules.

BARREL-STYLE GRIP

The barrel-style grip is designed for one-handed use.

EXTERNAL ACCESSIBLE BRUSHES

External accessible brushes extend the life of the saw.

LED WORKLIGHT

The saw has a built-in LED worklight that illuminates when the trigger switch is depressed. This feature is convenient when working in close or tight areas where additional light is needed.

TOOL-LESS BLADE CLAMP

Your saw has a blade clamp design that does not require the use of a blade wrench when installing or removing the blade.

VARIABLE SPEED TRIGGER SWITCH

The variable speed switch delivers higher speed with increased trigger switch pressure and lower speed with decreased trigger switch pressure.

LIVE TOOL INDICATOR

LED shines green when the tool is plugged into a power source.

ASSEMBLY

⚠ WARNING: If any parts are broken or missing, do not attempt to plug in the power cord or operate the reciprocating saw until the broken or missing parts are replaced. Failure to do so could result in possible serious injury.

⚠ WARNING: Do not attempt to modify this reciprocating saw or create accessories not recommended for use with this saw. Any such alteration or modification is misuse and could result in a hazardous condition leading to possible serious injury.

UNPACKING

This product has been shipped completely assembled.

- Carefully remove the tool and any accessories from the box. Make sure that all items listed in the packing list are included.
- Inspect the tool carefully to make sure no breakage or damage occurred during shipping.
- Do not discard the packing material until you have carefully inspected and satisfactorily operated the tool.
- If any parts are damaged or missing, please refer to the numbers listed on the back page of operator's manual.

PACKING LIST

1pc 4A Reciprocating saw, 1pc wood cutting blade, soft bag, operator's manual

OPERATION

⚠ WARNING: Do not allow familiarity with this product to make you careless. Remember that a careless fraction of a second is sufficient to inflict serious injury.

⚠ WARNING: Always wear safety goggles or safety glasses with side shields when operating power tools. Failure to do so could result in objects being thrown into your eyes resulting in possible serious injury.

⚠ WARNING: Do not use any attachments or accessories not recommended by Craftsman for this product. The use of attachments or accessories not recommended can result in serious personal injury.

APPLICATIONS

You may use this product for the purposes listed below:

- Cutting all types of wood products (lumber, plywood, paneling, composition board, and hard wood).
- Cutting Masonite and plastic.
- Cutting drywall.
- Cutting metals such as sheet steel, pipe, steel rods, aluminum, brass, and copper.

Note: A wood cutting blade is attached in shipment; other blades, such as metal cutting blade and plastic cutting blades are available separately.

SELECTING BLADES

Selecting the correct type of blade is important in order to obtain the best performance from the saw. Select the blade based on the application and on the material you wish to cut. Selecting the right blade will give you a smoother, faster cut and prolong the life of the blade.

Blades with fewer teeth, e.g., 10 teeth per inch (TPI) are typically used for cutting wood; blades with more teeth are better for cutting metal or plastic. We recommend 14 TPI for plastics and soft metals and 18 TPI for hard metals.

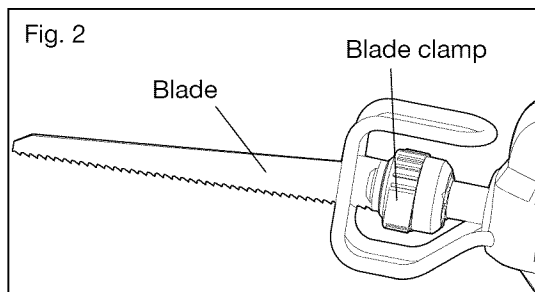
⚠ WARNING: This saw should not be used for pruning or with a pruning blade. Failure to heed this warning could cause loss of control and can result in possible serious injury.

INSTALLING /REMOVING BLADE (Fig. 2)

1. Unplug the saw.
2. Rotate the blade clamp counterclockwise and hold to open.
3. Insert saw blade until it is fully seated.

Note: Blade can be installed with teeth facing up or down.

4. Release the blade clamp to secure the blade.
5. To remove the blade, rotate the blade clamp counterclockwise and remove the blade.



TURNING THE SAW ON/OFF (Fig. 3)

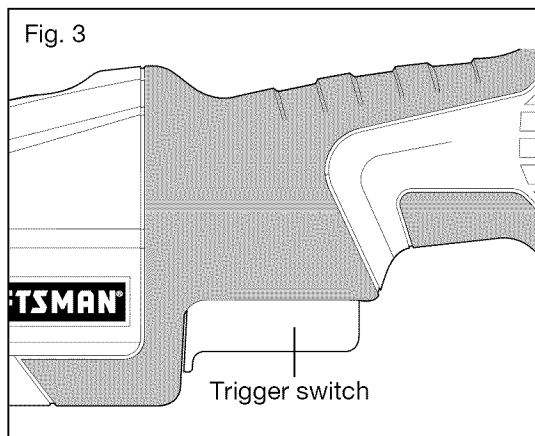
To turn the saw on, depress the trigger switch.

To turn the saw off, release the trigger switch.

VARIABLE SPEED (Fig. 3)

The variable speed trigger switch delivers higher speed with increased trigger pressure and lower speed with decreased trigger pressure.

⚠ WARNING: Cutting into electrical wiring in walls can cause the metal surface of the saw to become electrically live. Do not touch metal parts when cutting into a wall; grasp only the insulated gripping surfaces provided on the tool. Make sure hidden electrical wiring, water pipes, and mechanical hazards are not in the blade path when cutting into a wall.



LED WORKLIGHT (Fig. 4)

Your reciprocating saw has a built-in LED worklight to illuminate the cutting area.

To activate the LED worklight, plug in your reciprocating saw and depress the trigger switch.

The LED worklight will turn off when the trigger switch is released.

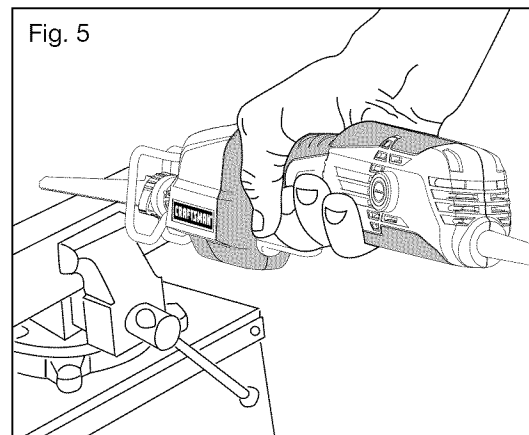
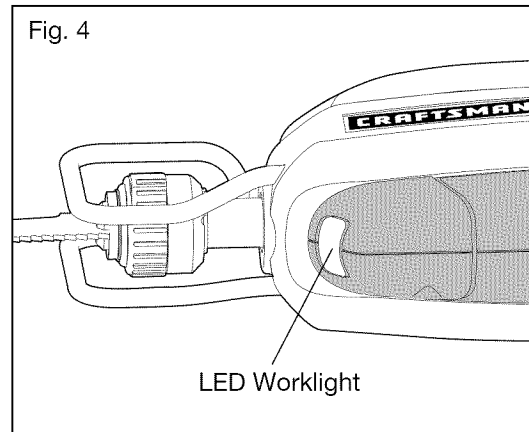
OPERATING THE SAW (Fig. 5 & Fig. 6)

1. Secure the workpiece to a work bench or table with a vise or with clamps.
2. Clearly mark the line of cut.
3. Make sure that the saw blade is clear of any foreign material and that the power cord and extension cord are out of the blade path.
4. Hold the saw firmly in front and away from you.

Note: The barrel-style grip of this saw is designed for one-handed use only. Keep your other hand away from the saw and the cutting area of the workpiece.

5. Depress the trigger switch to start the cutting action.
6. Set the shoe assembly against the workpiece.
7. Move the blade into the workpiece.

Note: Do not force. Use only enough pressure to keep the saw cutting. Let the blade and saw do the work. Press the base against the workpiece throughout the cut.

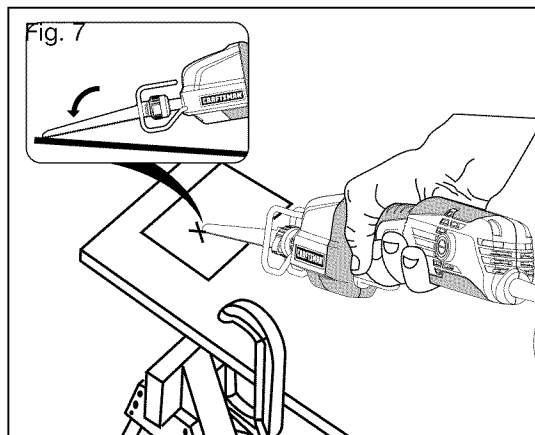


PLUNGE CUTTING WOOD OR WALL BOARD (Fig. 7)

⚠ WARNING: Blades longer than 6 in. can whip and should not be used for plunge cutting. Failure to heed this warning can result in serious personal injury.

⚠ WARNING: Cutting into electrical wiring can cause the blade, the blade clamp, and the saw bar assembly to become electrically live. Do not touch metal parts when cutting into a wall; grasp only the insulated surfaces on the tool. Make sure hidden electrical wiring, water pipes, and mechanical hazards are not in the blade path when cutting into a wall.

1. Secure the workpiece to a work bench or table with a vise or with clamps.
2. Mark the line of cut clearly.
3. Make sure the saw blade is clear of any foreign material and that the power cord and extension cord are out of the blade path.
4. Hold the saw firmly in front of and away from you.



5. Choose a convenient starting point inside the cutting area and place the tip of the blade over that point, but not touching the workpiece.
6. Rest the front edge of the shoe assembly on the workpiece and hold it firmly in position as you begin the cut
7. With the saw blade above the workpiece and the front edge of the shoe resting on the workpiece, press the trigger switch and allow the saw blade to reach full cutting speed.

⚠ WARNING: Make sure the blade does not touch the workpiece until the motor reaches full speed. Failure to heed this warning can cause you to lose control of the saw and result in serious injury.

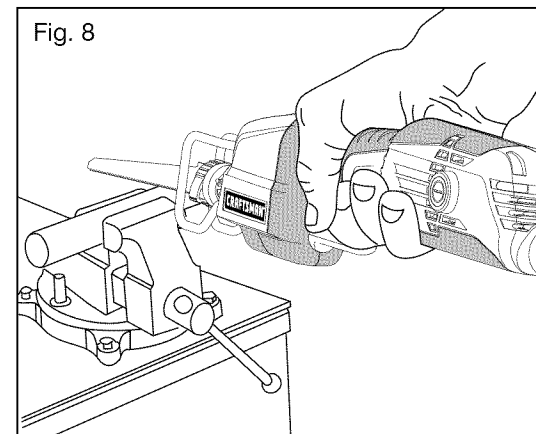
8. Pivot the saw blade downward until the tip of the blade starts cutting the workpiece.
9. Allow the saw to penetrate the workpiece.
10. Tilt the saw until the blade is perpendicular to the workpiece.

METAL CUTTING (Fig. 8)

You may cut metals, such as sheet steel, pipe, steel rods, aluminum, brass, and copper, with this saw.

Observe the following tips when metal cutting:

- Be careful not to twist or bend the saw blade.
- **Do not** force the tool; use a slow speed setting.
- Use cutting oil when cutting soft metals and steel. Cutting oil also keeps the blade cool, increases cutting action, and prolongs blade life.



⚠ WARNING: Never use gasoline, since normal sparking of motor could ignite fumes.

- Clamp the workpiece firmly and cut close to the clamping point to eliminate any workpiece vibration. When cutting conduit pipe or angle iron, clamp the workpiece in a vise if possible and cut close to the vise. To cut thin sheet material, “sandwich” the material between two sheets of plywood and clamp the layers to eliminate vibration and material tearing.
- Always keep firm pressure on the shoe assembly against the workpiece.

MAINTENANCE

⚠ WARNING: To ensure safety and reliability, all repairs should be performed by a qualified service technician at a Sears Service Center.

⚠ WARNING: For your safety, always turn off the switch and unplug the reciprocating saw from the power source before performing any maintenance or cleaning.

Periodic maintenance of your reciprocating saw allows for long life and trouble-free operation. The saw can generate considerable quantities of cutting residue.

A cleaning and maintenance schedule should be maintained.

As a common-sense and preventive maintenance practice, follow these recommended steps:

- Inspect the blade; check it for wear or damage.
- Keep the ventilation slots of the motor clean to prevent overheating of the motor. Electric tools are subject to accelerated wear and possible premature failure when they are used to work on fiberglass, wallboard, spackling compounds or plaster. The chips and grindings from these materials are highly abrasive to electrical tool parts, such as bearings, brushes, commutators, etc. Consequently, it is not recommended that this tool be used for extended work on any fiberglass material, wallboard, spackling compound, or plaster. During any use on these materials, it is extremely important that the tool is cleaned frequently by blowing with an air jet.
- Use a soft clean and damp cloth to wipe the tool housing. A mild detergent can be used, but use nothing like alcohol, gasoline or other cleaning agents. Never use caustic agents to clean plastic parts.

⚠ WARNING: Always wear safety goggles or safety glasses with side shields during power tool operations or when blowing dust. If operation is dusty, also wear a dust mask.

⚠ WARNING: When changing a blade immediately after operation, allow the blade to cool before removing it to avoid possible burning.

⚠ WARNING: Keep the air vents unclogged and clean at all times.

⚠ WARNING: Avoid using solvents when cleaning plastic parts. Most plastics are susceptible to damage from various types of commercial solvents and may be damaged by their use. Use clean cloths to remove dirt, dust, oil, grease, etc.

⚠ WARNING: Do not at any time let brake fluid, gasoline, petroleum-based products, penetrating oils, etc. to come in contact with plastic parts. Chemicals can damage, weaken or destroy plastic which may result in serious personal injury.

⚠ WARNING: Water must never come into the tool.

LUBRICATION

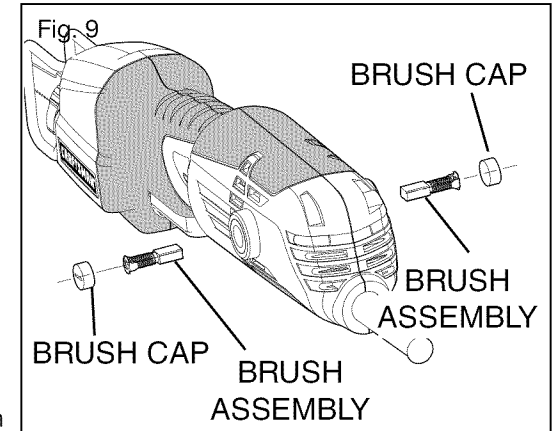
All of the bearings in this product are lubricated with a sufficient amount of high grade lubricant for the life of the unit under normal operating conditions. Therefore, no further lubrication is required.

BRUSH REPLACEMENT (Fig. 9)

The reciprocating saw is equipped with externally accessible brushes.

To replace:

1. Unplug the saw.
2. Remove brush caps (2) using a flat blade screwdriver.
3. Remove brush assemblies (2).
4. Check for wear. Replace both brush assemblies when either has less than 1/4 in. length of carbon brush remaining.



Note: Do not replace one side without replacing the other.

5. Reassemble using new brush assemblies. Make sure curvature of brush matches curvature of motor and that brush moves freely in brush tube.
6. Replace caps.
7. Tighten all brush caps securely. **Do not** over-tighten.

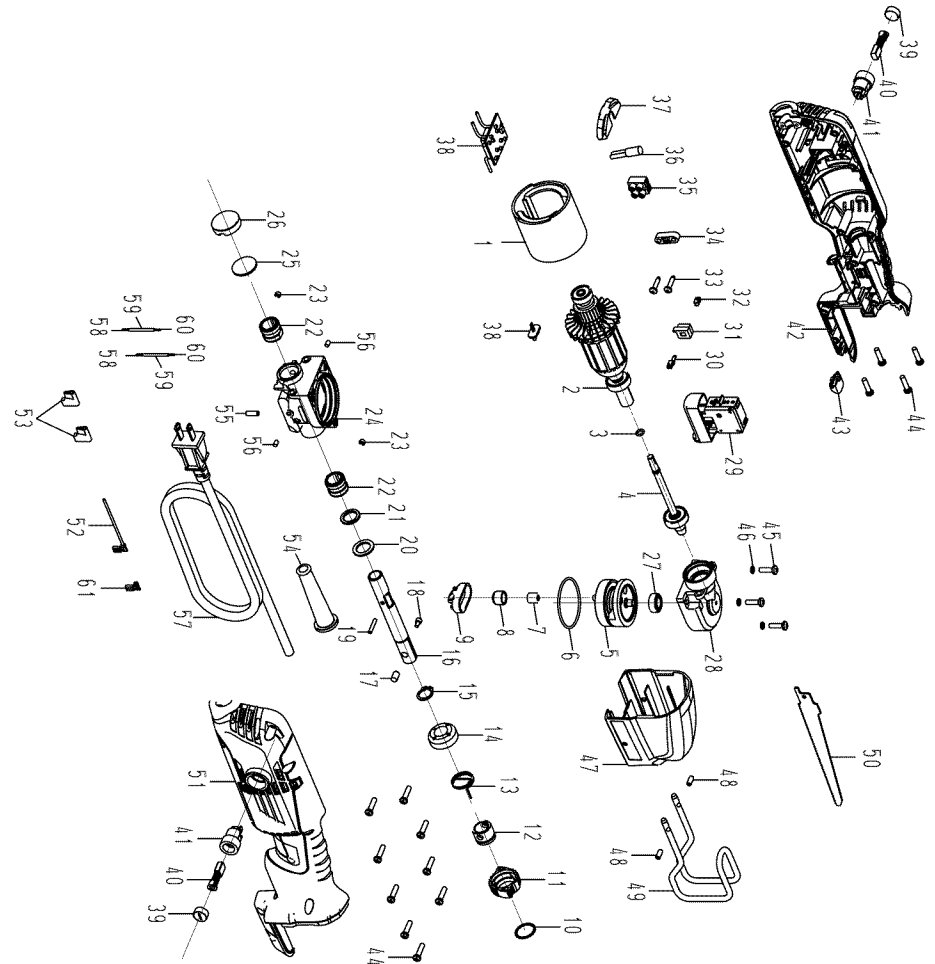
TROUBLESHOOTING

PROBLEM	CAUSE	SOLUTION
Motor overheating	Be sure cooling vents are free from dust and obstacles.	Clean and clear vents. Do not cover vents with hand during operation.

EXPLODED VIEW

4.0 A RECIPROCATING SAW MODEL NUMBER 320.17291

The Model Number will be found on the Nameplate. Always mention the Model Number when ordering parts for this tool.



PARTS LIST

4.0 A RECIPROCATING SAW MODEL NUMBER 320.17291

The Model Number will be found on the Nameplate. Always mention the Model Number when ordering parts for this tool.

No	Part No	Part Name	QTY
1	2740287000	Stator	1
2	2822974000	Motor Assy	1
3	5690231000	O Ring	1
4	2822975000	Pinion Assy	1
5	2822973000	Gear Assy	1
6	5690016000	O Ring	1
7	5700022000	Needle Bearing	1
8	3550214000	Crank Roller	1
9	3421052000	Drive Bracket	1
10	3704639000	Clip	1
11	3421162000	Clamp Collar	1
12	3551410000	Bush	1
13	3660424000	Torsion Spring	1
14	3125030000	Sleeve	1
15	5660032000	Circlips For Shaft	1
16	3551448000	Plunger	1
17	5670268000	Detent Pin	1
18	5670270000	Located Pin	1
19	5670292000	Pin	1
20	5650364000	Washer	1
21	5690206000	Rubber Ring	1
22	5700193000	Oil Impreging Bearing	2
23	5620399000	Hexagon Socket Screw	2
24	3421034000	Gear Case	1
25	3704850000	Felt Ring	1
26	3125556000	Dust Cover	1

No	Part No	Part Name	QTY
27	5700003000	Ball Bearing	1
28	3421035000	Gear Case Cover	1
29	4870458000	Trigger Switch	1
30	4930423000	Terminal	1
31	3125578000	Guide Bush	1
32	4930074000	Socket	1
33	5610024000	Tapping Screw	2
34	3120234000	Cord Anchorage	1
35	4930004000	Connector	1
36	4540017000	Power Supply Indicator	1
37	3125413000	Transparent Cap	1
38	4890695000	PCB Assembly	1
39	3125600000	Brush Cover	2
40	4960283000	Carbon Brush	2
41	2800182000	Brush Holder Assy	2
42	3321027000	Left Housing	1
43	3125510000	Transparent Cap	1
44	5610103000	Tapping Screw	13
45	5620041000	Screw	3
46	5650007000	Spring Washer	3
47	3125412000	Decorate Cover	1
48	5620449000	Hexagon Socket Set Screw	2
49	3650113000	Pivot Shoe	1
50	3810008000	Jigsaw Blade	1
51	3321028000	Right Housing	1
52	2822966000	Internal Wire Assy	1
53	4930008000	Sleeve	2
54	3121045000	Cord Guard	1
55	3550165000	Parallel Pin	1
56	3125625000	Rubber Pole	2

No	Part No	Part Name	QTY
57	4810002000	Power Cord & Plug	1
58	4930064000	Shark Teeth Terminal	2
59	4860005000	Inner Wire	2
60	4930061000	Shark Teeth Terminal	2
61	4930038000	Receptacle	1

NOTE

Get it fixed, at your home or ours!

Your Home

For troubleshooting, product manuals and expert advice:



www.managemylife.com

For repair – **in your home** – of **all** major brand appliances, lawn and garden equipment, or heating and cooling systems, **no matter who made it, no matter who sold it!**

For the replacement parts, accessories and owner's manuals that you need to do-it-yourself.

For Sears professional installation of home appliances and items like garage door openers and water heaters.

1-800-4-MY-HOME®

(1-800-469-4663)

www.sears.com

Call anytime, day or night

(U.S.A. and Canada)

www.sears.ca

Our Home

For repair of carry-in items like vacuums, lawn equipment, and electronics, call anytime for the location of the nearest

Sears Parts & Repair Service Center

1-800-488-1222 (U.S.A.)

www.sears.com

1-800-469-4663 (Canada)

www.sears.ca

To purchase a protection agreement on a product serviced by Sears:

1-800-827-6655 (U.S.A.)

1-800-361-6665 (Canada)

Para pedir servicio de reparación a domicilio, y para ordenar piezas:

1-888-SU-HOGAR®

(1-888-784-6427)

www.sears.com

Au Canada pour service en français:

1-800-LE-FOYER^{MC}

(1-800-533-6937)

www.sears.ca

Sears

© Registered Trademark / TM Trademark of KCD IP, LLC in the United States, or Sears Brands, LLC in other countries

© Marca Registrada / TM Marca de Fábrica de KCD IP, LLC en Estados Unidos, o Sears Brands, LLC in otros países

^{MC} Marque de commerce / ^{MD} Marque déposée de Sears Brands, LLC