

# JENN-AIR® 30" AND 36" (76.2 CM AND 91.4 CM) WALL-MOUNT CANOPY RANGE HOOD/ HOTTE DE CUISINIÈRE POUR MONTAGE MURAL 30" ET 36" (76,2 CM ET 91,4 CM)

---

## Installation Instructions and Use & Care Guide

For questions about features, operation/performance, parts, accessories, or service in the U.S.A., call:

**1-800-JENNAIR (1-800-536-6247)** or visit our website at [www.jennair.com](http://www.jennair.com).

In Canada, call: **1-800-807-6777**, or visit our website at [www.jennair.ca](http://www.jennair.ca).

---

## Instructions d'installation et Guide d'utilisation et d'entretien

Au Canada, pour assistance, installation ou service, composez le **1-800-807-6777** ou visitez notre site web à [www.jennair.ca](http://www.jennair.ca).

---

Table of Contents/Table des matières2

---

**IMPORTANT: READ AND SAVE THESE INSTRUCTIONS.**

**FOR RESIDENTIAL USE ONLY.**

**IMPORTANT : LIRE ET CONSERVER CES INSTRUCTIONS.**

**POUR UTILISATION RÉSIDENNELLE UNIQUEMENT.**



W10134195

## TABLE OF CONTENTS

<b>RANGE HOOD SAFETY</b> .....	2
<b>INSTALLATION REQUIREMENTS</b> .....	4
Tools and Parts .....	4
Location Requirements .....	4
Venting Requirements .....	5
Electrical Requirements .....	6
<b>INSTALLATION INSTRUCTIONS</b> .....	7
Prepare Location .....	7
Install Range Hood .....	8
Connect Vent System .....	8
Make Electrical Connection .....	9
Install Vent Covers .....	10
Install Filters .....	10
Complete Installation .....	10
<b>RANGE HOOD USE</b> .....	10
<b>RANGE HOOD CARE</b> .....	11
Cleaning .....	11
<b>WIRING DIAGRAM</b> .....	12
<b>ASSISTANCE OR SERVICE</b> .....	13
In the U.S.A. ....	13
Accessories List .....	13
In Canada .....	13
Accessories List .....	13
<b>WARRANTY</b> .....	14

## TABLE DES MATIÈRES

## RANGE HOOD SAFETY

### Your safety and the safety of others are very important.

We have provided many important safety messages in this manual and on your appliance. Always read and obey all safety messages.



This is the safety alert symbol.

This symbol alerts you to potential hazards that can kill or hurt you and others.

All safety messages will follow the safety alert symbol and either the word "DANGER" or "WARNING."

These words mean:

**⚠ DANGER**

You can be killed or seriously injured if you don't immediately follow instructions.

**⚠ WARNING**

You can be killed or seriously injured if you don't follow instructions.

All safety messages will tell you what the potential hazard is, tell you how to reduce the chance of injury, and tell you what can happen if the instructions are not followed.

# IMPORTANT SAFETY INSTRUCTIONS

**WARNING:** TO REDUCE THE RISK OF FIRE, ELECTRIC SHOCK, OR INJURY TO PERSONS, OBSERVE THE FOLLOWING:

- Use this unit only in the manner intended by the manufacturer. If you have questions, contact the manufacturer.
- Before servicing or cleaning the unit, switch power off at service panel and lock the service disconnecting means to prevent power from being switched on accidentally. When the service disconnecting means cannot be locked, securely fasten a prominent warning device, such as a tag, to the service panel.
- Installation work and electrical wiring must be done by qualified person(s) in accordance with all applicable codes and standards, including fire-rated construction.
- Sufficient air is needed for proper combustion and exhausting of gases through the flue (chimney) of fuel burning equipment to prevent backdrafting. Follow the heating equipment manufacturer's guideline and safety standards such as those published by the National Fire Protection Association (NFPA), the American Society for Heating, Refrigeration and Air Conditioning Engineers (ASHRAE), and the local code authorities.
- When cutting or drilling into wall or ceiling; do not damage electrical wiring and other utilities.
- Ducted fans must always be vented outdoors.

**CAUTION:** For general ventilating use only. Do not use to exhaust hazardous or explosive materials and vapors.

**CAUTION:** To reduce risk of fire and to properly exhaust air, be sure to duct air outside - do not vent exhaust air into spaces within walls or ceilings, attics or into crawl spaces, or garages.

**WARNING:** TO REDUCE THE RISK OF FIRE, USE ONLY METAL DUCTWORK.

**WARNING:** TO REDUCE THE RISK OF A RANGE TOP GREASE FIRE:

- Never leave surface units unattended at high settings. Boilovers cause smoking and greasy spillovers that may ignite. Heat oils slowly on low or medium settings.
- Always turn hood ON when cooking at high heat or when flambeing food (i.e. Crepes Suzette, Cherries Jubilee, Peppercorn Beef Flambé).
- Clean ventilating fans frequently. Grease should not be allowed to accumulate on fan or filter.
- Use proper pan size. Always use cookware appropriate for the size of the surface element.

**WARNING:** TO REDUCE THE RISK OF INJURY TO PERSONS IN THE EVENT OF A RANGE TOP GREASE FIRE, OBSERVE THE FOLLOWING:<sup>a</sup>

- **SMOTHER FLAMES** with a close fitting lid, cookie sheet, or metal tray, then turn off the burner. **BE CAREFUL TO PREVENT BURNS.** If the flames do not go out immediately, **EVACUATE AND CALL THE FIRE DEPARTMENT.**
- **NEVER PICK UP A FLAMING PAN** - you may be burned.
- **DO NOT USE WATER**, including wet dishcloths or towels - a violent steam explosion will result.
- Use an extinguisher **ONLY** if:
  - You know you have a class ABC extinguisher, and you already know how to operate it.
  - The fire is small and contained in the area where it started.
  - The fire department is being called.
  - You can fight the fire with your back to an exit.

<sup>a</sup>Based on "Kitchen Fire Safety Tips" published by NFPA.

- **WARNING:** To reduce the risk of fire or electrical shock, do not use this fan with any solid-state speed control device.

## SAVE THESE INSTRUCTIONS

# INSTALLATION REQUIREMENTS

## Tools and Parts

Gather the required tools and parts before starting installation. Read and follow the instructions provided with any tools listed here.

### Tools needed

- Level
- Drill with 1¼" (3 cm), ⅜" (9.5 mm), 7⁄64" (2.75 mm) and ⅛" (3 mm) drill bits
- Pencil
- Wire stripper or utility knife
- Tape measure or ruler
- Pliers
- Caulking gun and weatherproof caulking compound
- Vent clamps
- Jigsaw or keyhole saw
- Flat-blade screwdriver
- Metal snips
- Phillips screwdriver

### Parts needed

- Home power supply cable
- ½" (12.7 mm) UL listed or CSA approved strain relief
- 3 UL listed wire connectors

### For vented installations, you will also need:

- 1 wall or roof cap
- Metal vent system

### For non-vented (recirculating) installations, you will also need:

- Charcoal Filter Kit Part Number W10158163 for non-vented (recirculating) installations only. See "Assistance or Service" section to order.

### Parts supplied

Remove parts from packages. Check that all parts are included.

- Hood canopy assembly with ventilator and light bulbs installed
- Deflector for non-vented (recirculating) installations
- Vent transition with back draft dampers installed
- Filter(s) - depending on model and size
- 2 mounting hooks
- Vent cover support bracket (3 pieces)
- Mounting template
- 2-piece vent cover
- 2 - 2.9 x 6.5 mm screws
- 4 - 4 x 8 mm screws

- 8 - 3.5 x 9.5 mm screws
- 2 - 6 x 70 mm screws
- 6 - 5 x 35 mm mounting screws
- 2 - 10 x 70 mm drywall anchors
- Allen wrench for Torx®† head screws

## Location Requirements

**IMPORTANT:** Observe all governing codes and ordinances.

Have a qualified technician install the range hood. It is the installer's responsibility to comply with installation clearances specified on the model/serial rating plate. The model/serial rating plate is located behind the left filter on the rear wall of the vent hood.

Canopy hood location should be away from strong draft areas, such as windows, doors and strong heating vents.

Cabinet opening dimensions that are shown must be used. Given dimensions provide minimum clearance.

Grounded electrical outlet is required. See "Electrical Requirements" section.

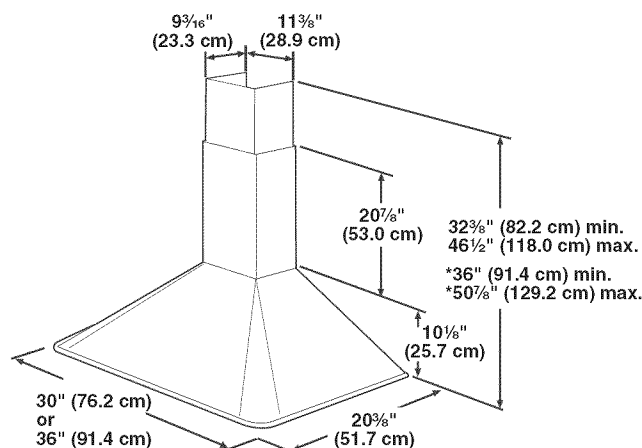
The canopy hood is factory set for venting through the roof or wall. For non-vented (recirculating) installation see "Non-vented (recirculating) Installations" in "Prepare Location" section. Charcoal Filter Kit Part Number W10158163 is available from your dealer or an authorized parts distributor.

All openings in ceiling and wall where canopy hood will be installed must be sealed.

### For Mobile Home Installations

The installation of this range hood must conform to the Manufactured Home Construction Safety Standards, Title 24 CFR, Part 328 (formerly the Federal Standard for Mobile Home Construction and Safety, Title 24, HUD, Part 280) or when such standard is not applicable, the standard for Manufactured Home Installation 1982 (Manufactured Home Sites, Communities and Setups) ANSI A225.1/NFPA 501A\*, or latest edition, or with local codes.

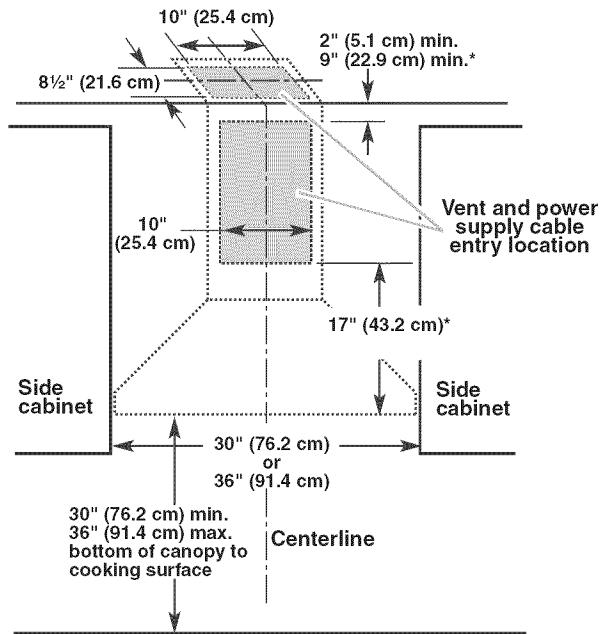
## Product Dimensions



\*For non-vented (recirculating) installations

†®TORX is a registered trademark of Textron Innovations Inc.

## Installation Dimensions



\*For non-vented (recirculating) installations

## Venting Requirements (vented models only)

- Vent system must terminate to the outdoors, except for non-vented (recirculating) installations.
- Do not terminate the vent system in an attic or other enclosed area.
- Do not use 4" (10.2 cm) laundry-type wall cap.
- Use metal vent only. Rigid metal vent is recommended. Plastic or metal foil vent is not recommended.
- The length of vent system and number of elbows should be kept to a minimum to provide efficient performance.

### For the most efficient and quiet operation:

- Use no more than three 90° elbows.
- Make sure there is a minimum of 24" (61 cm) of straight vent between the elbows if more than 1 elbow is used.
- Do not install 2 elbows together.
- Use clamps to seal all joints in the vent system.
- The vent system must have a damper. If the roof or wall cap has a damper, do not use the damper supplied with the range hood.
- Use caulking to seal exterior wall or roof opening around the cap.
- The size of the vent should be uniform.

## Cold weather installations

An additional back draft damper should be installed to minimize backward cold air flow and a thermal break should be installed to minimize conduction of outside temperatures as part of the vent system. The damper should be on the cold air side of the thermal break.

The break should be as close as possible to where the vent system enters the heated portion of the house.

## Makeup air

Local building codes may require the use of makeup air systems when using ventilation systems greater than specified CFM of air movement. The specified CFM varies from locale to locale. Consult your HVAC professional for specific requirements in your area.

## Venting Methods

This canopy hood is factory set for venting through the roof or wall.

A 8" (20.0 cm) round vent system is needed for installation (not included). The hood exhaust opening is 8" (20.0 cm) round.

**NOTE:** Flexible vent is not recommended. Flexible vent creates back pressure and air turbulence that greatly reduce performance.

Vent system can terminate either through the roof or wall. To vent through a wall, a 90° elbow is needed.

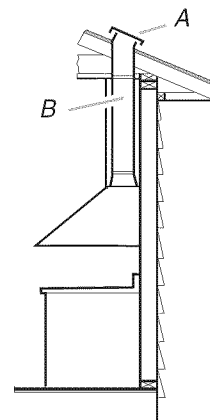
## Rear discharge

A 90° elbow may be installed immediately above the hood.

## For non-vented (recirculating) installations

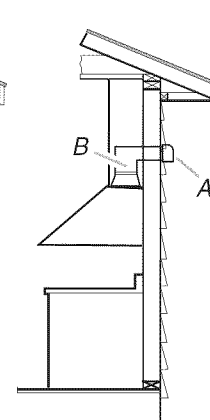
If it is not possible to vent cooking fumes and vapors to the outside, the hood can be used in the non-vented (recirculating) version, fitting an activated carbon filter and the deflector. Fumes and vapors are recycled through the top grille.

### Roof Venting



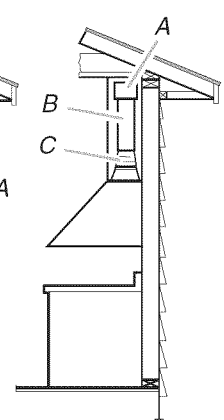
A. Roof cap  
B. 8" (20.0 cm)  
round vent

### Wall Venting



A. Wall cap  
B. 8" (20.0 cm)  
round vent


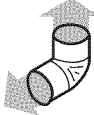
### Non-vented (recirculating)



A. Deflector  
B. 8" (20.0 cm)  
round vent  
C. Vent transition  
adapter

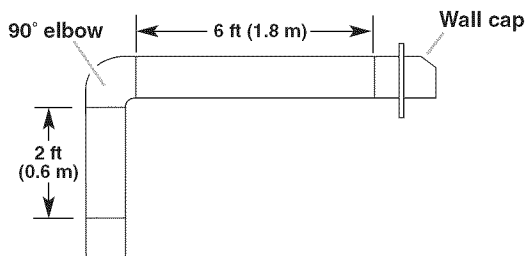
## Calculating Vent System Length

To calculate the length of the system you need, add the equivalent feet (meters) for each vent piece used in the system.

Vent Piece	8" (20.0 cm) Round	
45° elbow	2.5 ft (0.8 m)	
90° elbow	5.0 ft (1.5 m)	

Maximum equivalent vent length is 35 ft (10.7 m).

### Example vent system



The following example falls within the maximum recommended vent length of 35 ft (10.7 m).

1 - 90° elbow	= 5.0 ft (1.5 m)
1 - wall cap	= 0.0 ft (0.0 m)
8 ft (2.4 m) straight	= 8.0 ft (2.4 m)
<b>Length of system</b>	<b>= 13.0 ft (3.9 m)</b>

## Electrical Requirements

Observe all governing codes and ordinances.

Ensure that the electrical installation is adequate and in conformance with National Electrical Code, ANSI/NFPA 70 (latest edition), or CSA Standards C22.1-94, Canadian Electrical Code, Part 1 and C22.2 No. 0-M91 (latest edition) and all local codes and ordinances.

If codes permit and a separate ground wire is used, it is recommended that a qualified electrician determine that the ground path is adequate.

A copy of the above code standards can be obtained from:

National Fire Protection Association  
One Batterymarch Park  
Quincy, MA 02269

CSA International  
8501 East Pleasant Valley Road  
Cleveland, OH 44131-5575

- A 120 Volt, 60 Hz., AC only, 15-amp, fused electrical circuit is required.
- If the house has aluminum wiring follow the procedure below:
  1. Connect a section of solid copper wire to the pigtail leads.
  2. Connect the aluminum wiring to the added section of copper wire using special connectors and/or tools designed and UL listed for joining copper to aluminum.

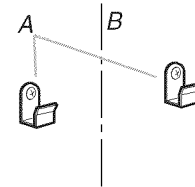
Follow the electrical connector manufacturer's recommended procedure. Aluminum/copper connection must conform with local codes and industry accepted wiring practices.
- Wire sizes and connections must conform with the rating of the appliance as specified on the model/serial rating plate. The model/serial plate is located behind the filter on the rear wall of the hood.
- Wire sizes must conform to the requirements of the National Electrical Code, ANSI/NFPA 70 (latest edition), or CSA Standards C22.1-94, Canadian Electrical Code, Part 1 and C22.2 No. 0-M91 (latest edition) and all local codes and ordinances.

# INSTALLATION INSTRUCTIONS

## Prepare Location

- It is recommended that the vent system be installed before hood is installed.
  - Before making cutouts, make sure there is proper clearance within the ceiling or wall for exhaust vent.
  - Check your ceiling height and the hood height maximum before you select your hood.
1. Disconnect pwr
  2. Determine which venting method to use: roof, wall, or non-vented.
  3. Select a flat surface for assembling the range hood. Place covering over that surface.

8. Mark centers of the 6 fastener locations through the template to the wall.  
**IMPORTANT:** All screws must be installed into wood.  
Remove the template.
9. Drill  $\frac{7}{64}$ " (2.75 mm) pilot holes at all locations where screws are being installed into wood.
10. Attach two mounting hooks to the wall at location marked on the template.



A. Mounting hooks  
B. Centerline on wall

## ⚠ WARNING

### Excessive Weight Hazard

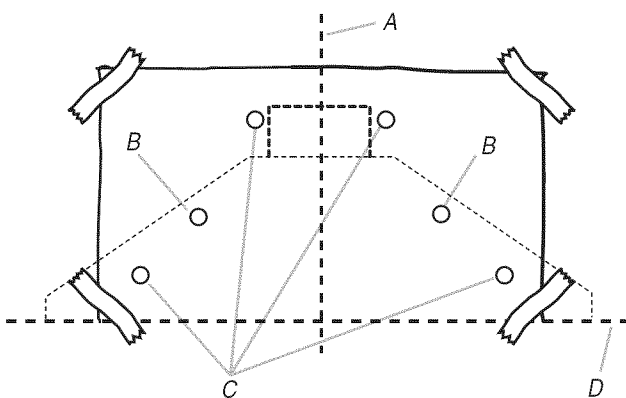
Use two or more people to move and install range hood.

Failure to do so can result in back or other injury.

4. Using 2 or more people, lift range hood onto covered surface.

## Range Hood Mounting Screws Installation

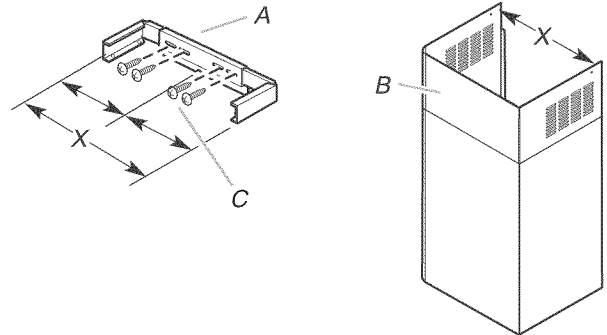
5. Determine and mark the centerline on the wall where the canopy hood will be installed.
6. Select a mounting height between a minimum of 30" (76.2 cm) and a suggested maximum of 36" (91.4 cm), above the range to the bottom of the hood and mark reference line on the wall.
7. Tape template in place, aligning the template centerline and bottom of template with hood bottom line and with the centerline marked on the wall.



A. Centerline  
B. Mounting hook location  
C. Fastener locations  
D. Mounting height reference

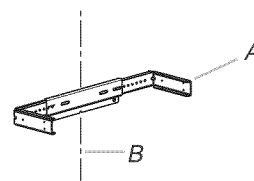
## Vent Cover Bracket Assembly and Installation

1. Assemble the 3 pieces of the vent cover bracket using 4 - 4 x 8 mm screws provided. The assembled bracket should be sized to fit inside the upper vent cover.



A. Vent cover bracket assembly  
B. Upper vent cover  
C. 4 x 8 mm screws

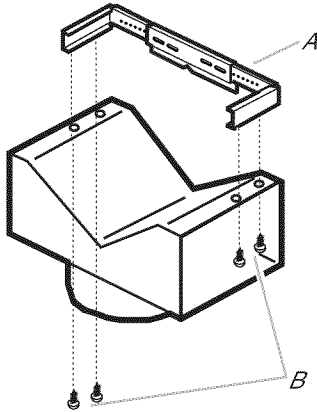
2. Install vent cover bracket to wall about  $\frac{1}{8}$ " (3.0 mm) away from the ceiling. Use 2 - 6 x 70 mm screws with 10 x 70 mm drywall anchors supplied.



A. Vent cover bracket  
B. Centerline on wall

## Non-Vented (recirculating) Installations

1. Connect the deflector to the vent cover bracket using 4 - 3.5 x 9.5 sheet metal screws provided.



A. Vent cover bracket  
B. 3.5 x 9.5 mm sheet metal screws

## Complete Preparation

1. Determine and make all necessary cuts in the wall for the vent system. Install the vent system before installing the hood. See "Venting Requirements" section.
2. Determine the required height for the home power supply cable and drill a 1 1/4" (3.2 cm) hole at this location.
3. Run wire through the home power supply cable according to the National Electrical Code or CSA Standards and local codes and ordinances. There must be enough 1/2" conduit and wires from the fused disconnect (or circuit breaker) box to make the connection in the hood's electrical terminal box.  
**NOTE:** Do not reconnect power until installation is complete.
4. Use caulk to seal all openings.

## Install Range Hood

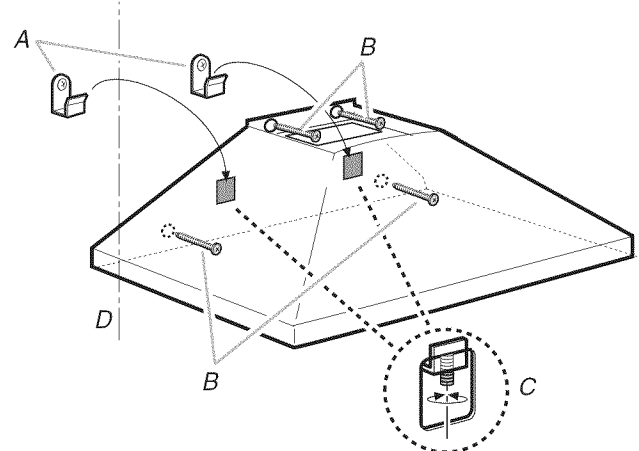
### **⚠ WARNING**

#### Excessive Weight Hazard

Use two or more people to move and install range hood.

Failure to do so can result in back or other injury.

1. Using 2 or more people, hang range hood on 2 mounting hooks through the rectangular cutouts on back of hood.

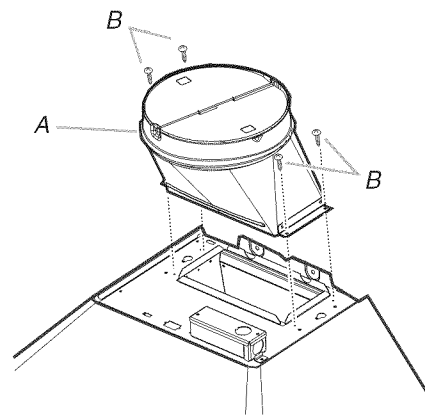


A. Mounting hooks  
B. 5 x 35 mm mounting screws  
C. Leveling screws  
D. Centerline on wall

2. Level the hood with leveling screws in mounting hooks or rectangular cutouts, using a level across bottom of hood.
3. Secure hood with 4 screws through remaining 4 holes in hood.

## Connect Vent System

1. Install transition on top of range hood (if removed for shipping) with 4 - 3.5 x 9.5 mm sheet metal screws.



A. Vent transition  
B. 3.5 x 9.5 mm screw

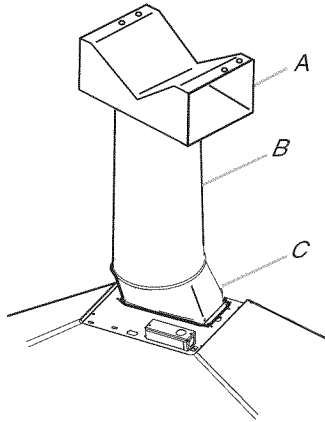


**For Vented Installations Only:**

1. Fit vent system over transition piece.
2. Seal connection with clamps.
3. Check that backdraft dampers work properly.

**For Non-vented (recirculating) Installation Only:**

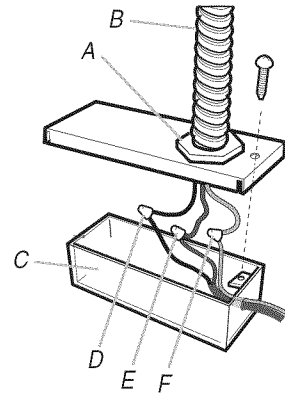
1. Fit vent system over deflector and transition piece.



A. Deflector  
B. Vent system  
C. Vent transition

2. Seal connection with clamps.
3. Check that backdraft dampers work properly.

4. Run 3 wires, black, white and green (14AWG), in 1/2" conduit from service panel to terminal box. Use caulking to seal opening.



A. UL listed or CSA approved strain relief  
B. Home power supply cable  
C. Terminal box  
D. Black wires  
E. Green (or bare) wire connected to yellow-green wire  
F. White wires

5. Use UL listed wire connectors and connect black wires (D) together.
6. Use UL listed wire connectors and connect white wires (F) together.

**Make Electrical Connection**

**⚠ WARNING**

**Electrical Shock Hazard**

**Disconnect power before servicing.**

**Replace all parts and panels before operating.**

**Failure to do so can result in death or electrical shock.**

1. Disconnect power.
2. Remove terminal box cover.
3. Remove the knockout in the terminal box cover and install a UL listed or CSA approved 1/2" strain relief.

**⚠ WARNING**

**Electrical Shock Hazard**

**Electrically ground blower.**

**Connect ground wire to green and yellow ground wire in terminal box.**

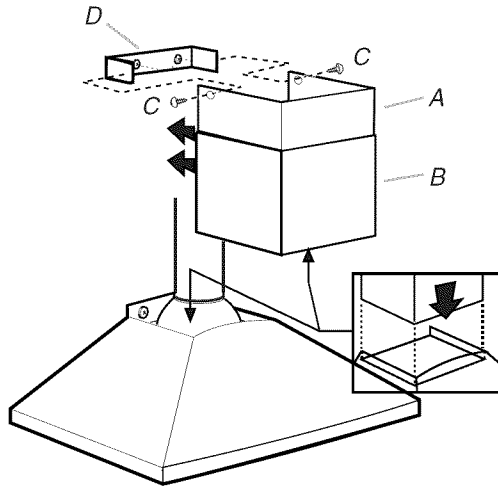
**Failure to do so can result in death or electrical shock.**

7. Connect green (or bare) ground wire from home power supply to yellow-green ground wire (E) in terminal box using UL listed wire connectors.
8. Tighten strain relief screw.
9. Install terminal box cover.
10. Check all light bulbs to make sure they are secure in their sockets.
11. Reconnect power.

## Install Vent Covers

When using both upper and lower vent covers, push lower cover down onto hood and lift upper cover to ceiling and install with two 2.9 x 6.5 mm screws.

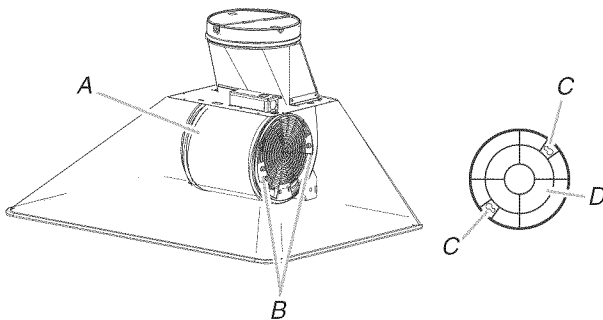
**NOTE:** Upper vent cover may be reversed to hide slots.



A. Upper vent cover  
B. Lower vent cover  
C. 2.9 x 6.5 mm screws  
D. Bracket

## Install Filters

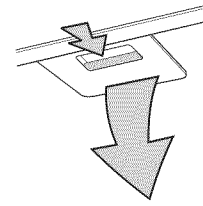
1. For non-vented (recirculating installations, install charcoal filter over grille on blower housing (2 charcoal filters necessary).
2. Align pins B with slots C on filter.
3. Turn filter clockwise until it locks in place or turn the central handle clockwise.
4. Repeat with other charcoal filter.



A. Blower housing  
B. Alignment pins  
C. Alignment slots  
D. Charcoal filter

5. For all installations, insert back edge of metal filter into rear channel of the filter opening.
6. Push handle toward the rear and push filter up.

7. Pull filter toward the front and insert into front channel.



## Complete Installation

### Check Range Hood Operation

1. Move the light switch to "1" position. The light should turn on.
2. Move blower switch to "1" position. The blower should operate.
3. Move the blower speed switch to "1" position for low speed, "2" position for medium speed or "3" position for high speed.
4. Move blower and light switches to "0" position to turn off blower and light.
5. If range hood does not operate, check to see whether a circuit breaker has tripped or a household fuse has blown.

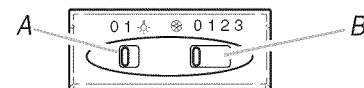
**NOTE:** To get the most efficient use from your new range hood, read the "Range Hood Use" section.

## RANGE HOOD USE

The range hood is designed to remove smoke, cooking vapors and odors from the cooktop area. For best results, start the hood before cooking and allow it to operate several minutes after the cooking is complete to clear all smoke and odors from the kitchen.

### Control Panel

The range hood controls are located on the front side of the canopy.



A. Light switch  
B. Blower switch

### Operating the Light

1. Move the light switch to the "1" position to turn on the light.
2. Move the light switch to the "0" position to turn off the light.

### Operating the Blower and Adjusting Blower Speed

1. Move the blower switch to the "1" position for low speed, the "2" position for medium speed or the "3" position for high speed.
2. Move the blower switch to the "0" position to turn off the blower.

# RANGE HOOD CARE

## Cleaning

**IMPORTANT:** Clean the hood and grease filters frequently according to the following instructions. Replace grease filters before operating hood.

Be sure lights are cool before cleaning the hood.

### Exterior Surfaces

Clean the range hood with a mild detergent and soft cloth. Do not use abrasive cleanser or steel-wool pads.

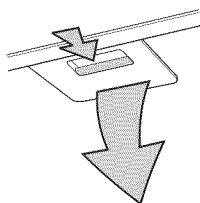
### Metal Grease Filters

The filters should be washed frequently. Place metal filters in dishwasher or hot detergent solution to clean.

Drain water through edge holes and let each filter dry thoroughly before replacing it.

### To Remove Metal Grease Filters

1. Turn off fan and lights. Check that halogen lamp is cool.
2. Push handle toward the rear and pull downward.
3. Pull filter toward the front.



### To Replace Metal Grease Filter

1. Insert back edge of filter into rear channel of the filter opening.
2. Push handle toward the rear and push filter up.
3. Pull filter toward the front and insert into front channel.

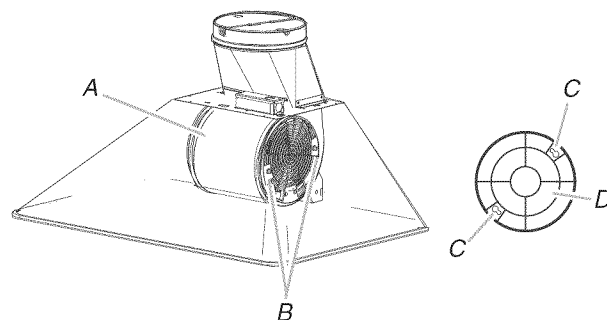
### Charcoal Filters - For Non-Vented (recirculating) Installations

The charcoal filters are not washable nor reusable. They should be changed every 6 months in normal use or more frequently in heavy use.

The charcoal filters capture unpleasant cooking odors.

### To Install Charcoal Filters

1. Turn fan and lights off. Check that halogen lamp is cool.
2. Remove the metal grease filters. See "Metal Grease Filters" section.
3. Set metal grease filter aside.
4. Repeat to remove other metal grease filter.
5. Install charcoal filter over grille on blower housing by aligning the pins B with the slots C and turning the filter clockwise until it locks in place or turn the central handle clockwise.



A. Blower housing  
B. Alignment pins  
C. Alignment slots  
D. Charcoal filter

6. Repeat to install other charcoal filter.
7. Replace metal grease filters. See "Metal Grease Filters" section.

### To Replace Charcoal Filters

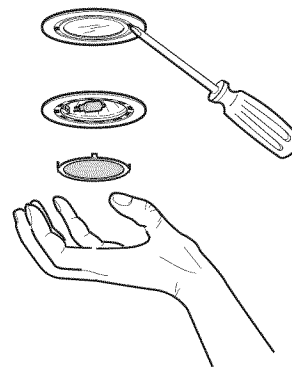
1. Turn fan and lights off. Check that halogen lamp is cool.
2. Remove the metal grease filters. See "Metal Grease Filters" section.
3. Turn charcoal filter counterclockwise.
4. Remove and discard both charcoal filters.
5. Install replacement charcoal filter over grille on blower housing by aligning the pins B with the slots C and turning the filter clockwise until it locks in place or turn the central handle clockwise.
6. Replace metal grease filters. See "Metal Grease Filters" section.

### Replacing a Halogen Lamp

Turn off the range hood and allow the halogen lamp to cool. Replace using a tissue.

If new lights do not operate, make sure the lamps are inserted correctly before calling service.

1. Disconnect power.
2. Use a flat-blade screwdriver and gently pry the light cover loose.



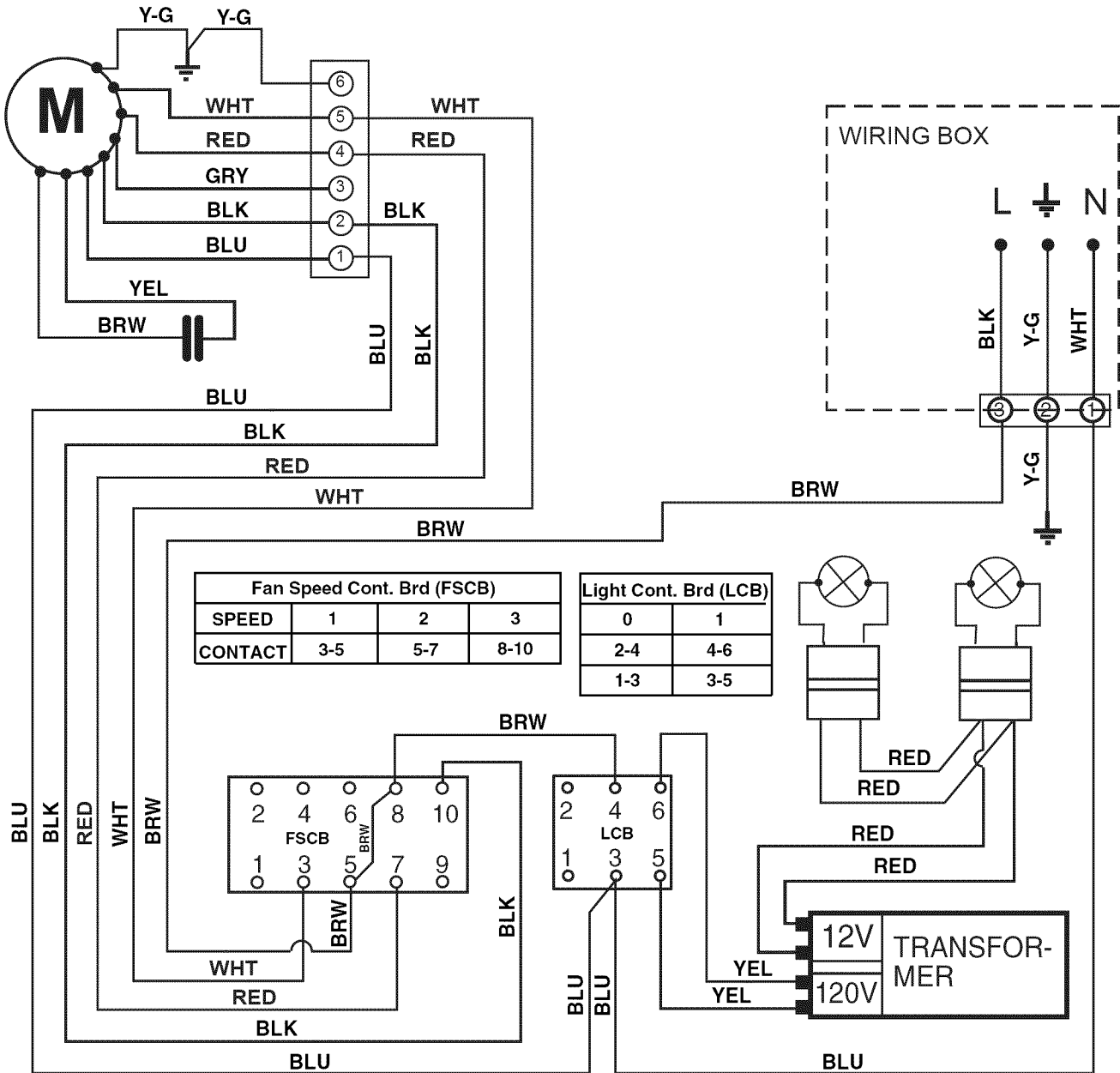
3. Remove the lamp and replace with a 12-volt, 20-watt maximum, halogen lamp made for a G-4 base.
4. Replace the light cover.

# WIRING DIAGRAM

SE1Q7A

MOTOR SPEED	CONNECTIONS TO TERMINALS
1	BLUE - WHITE
2	BLUE - RED
3	BLUE - BLACK

COLOR TABLE		COLOR TABLE	
BLK	BLACK	RED	RED
BLU	BLUE	WHT	WHITE
BRW	BROWN	YEL	YELLOW
GRN	GREEN	Y-G	YELLOW/GREEN
GRY	GREY		



---

# ASSISTANCE OR SERVICE

---

Before calling for assistance or service, please check “Troubleshooting.” It may save you the cost of a service call. If you still need help, follow the instructions below.

When calling, please know the purchase date and the complete model and serial number of your appliance. This information will help us to better respond to your request.

---

## In the U.S.A.

### If the problem is not due to one of the items listed in the “Troubleshooting” section...

Call the dealer from whom your appliance was purchased, or call Jenn-Air at **1-800-JENNAIR (1-800-536-6247)** to locate an authorized service company. When calling, please know the purchase date and the complete model and serial number of your appliance. Be sure to retain proof of purchase to verify warranty status.

If the dealer or service company cannot resolve your problem, write to:

**Jenn-Air Brand Home Appliances  
Customer eXperience Center  
553 Benson Road  
Benton Harbor, MI 49022-2692  
Web address: [www.jennair.com](http://www.jennair.com)**

Or call: **1-800-JENNAIR (1-800-536-6247)**.

U.S. customers using TTY for deaf, hearing impaired or speech impaired, call: **1-800-688-2080** (Monday - Friday, 8:00 a.m. - 8:00 p.m. Eastern Time).

**NOTE:** When writing or calling about a service problem, please include the following information:

1. Your name, address and daytime telephone number.
2. Appliance model number and serial number.
3. Name and address of your dealer or servicer.
4. A clear description of the problem you are having.
5. Proof of purchase (sales receipt).

User's guides, service manuals and parts information are available from Jenn-Air Brand Home Appliances, Customer eXperience Center.

---

## Accessories List

### Charcoal Filter Kit

(for non-vented installations only)

Order Part Number W10158163

---

## In Canada

### If the problem is not due to one of the items listed in the “Troubleshooting” section...

Call the dealer from whom your appliance was purchased, or call Jenn-Air at **1-800-807-6777** to locate an authorized service company. When calling, please know the purchase date and the complete model and serial number of your appliance. Be sure to retain proof of purchase to verify warranty status.

If the dealer or service company cannot resolve your problem, write to:

**Jenn-Air Brand Home Appliances  
Customer Interaction Centre  
1901 Minnesota Court  
Mississauga, ON L5N 3A7  
Web address: [www.jennair.ca](http://www.jennair.ca)**

Or call: **1-800-807-6777**.

**NOTE:** When writing or calling about a service problem, please include the following information:

1. Your name, address and daytime telephone number.
2. Appliance model number and serial number.
3. Name and address of your dealer or servicer.
4. A clear description of the problem you are having.
5. Proof of purchase (sales receipt).

User's guides, service manuals and parts information are available from Jenn-Air Brand Home Appliances, Customer Interaction Centre.

---

## Accessories List

### Charcoal Filter Kit

(for non-vented installations only)

Order Part Number W10158163

# JENN-AIR® MAJOR APPLIANCE WARRANTY

## ONE YEAR LIMITED WARRANTY

For one year from the date of purchase, when this major appliance is operated and maintained according to instructions attached to or furnished with the product, Jenn-Air brand of Maytag Corporation or Maytag Limited (hereafter "Jenn-Air") will pay for factory specified replacement parts and repair labor to correct defects in materials or workmanship. Service must be provided by a Jenn-Air designated service company. This limited warranty applies only when the major appliance is used in the country in which it was purchased.

### ITEMS JENN-AIR WILL NOT PAY FOR

1. Service calls to correct the installation of your major appliance, to instruct you how to use your major appliance, to replace or repair house fuses or to correct house wiring or plumbing.
2. Service calls to repair or replace appliance light bulbs, air filters or water filters. Those consumable parts are excluded from warranty coverage.
3. Repairs when your major appliance is used for other than normal, single-family household use.
4. Damage resulting from accident, alteration, misuse, abuse, fire, flood, acts of God, improper installation, installation not in accordance with electrical or plumbing codes, or use of products not approved by Jenn-Air.
5. Any food loss due to refrigerator or freezer product failures.
6. Replacement parts or repair labor costs for units operated outside the United States or Canada.
7. Pickup and delivery. This major appliance is designed to be repaired in the home.
8. Repairs to parts or systems resulting from unauthorized modifications made to the appliance.
9. Expenses for travel and transportation for product service in remote locations.
10. The removal and reinstallation of your appliance if it is installed in an inaccessible location or is not installed in accordance with published installation instructions.
11. Replacement parts or repair labor costs when the major appliance is used in a country other than the country in which it was purchased.

### DISCLAIMER OF IMPLIED WARRANTIES; LIMITATION OF REMEDIES

CUSTOMER'S SOLE AND EXCLUSIVE REMEDY UNDER THIS LIMITED WARRANTY SHALL BE PRODUCT REPAIR AS PROVIDED HEREIN. IMPLIED WARRANTIES, INCLUDING WARRANTIES OF MERCHANTABILITY OR FITNESS FOR A PARTICULAR PURPOSE, ARE LIMITED TO ONE YEAR OR THE SHORTEST PERIOD ALLOWED BY LAW. MAYTAG SHALL NOT BE LIABLE FOR INCIDENTAL OR CONSEQUENTIAL DAMAGES. SOME STATES AND PROVINCES DO NOT ALLOW THE EXCLUSION OR LIMITATION OF INCIDENTAL OR CONSEQUENTIAL DAMAGES, OR LIMITATIONS ON THE DURATION OF IMPLIED WARRANTIES OF MERCHANTABILITY OR FITNESS, SO THESE EXCLUSIONS OR LIMITATIONS MAY NOT APPLY TO YOU. THIS WARRANTY GIVES YOU SPECIFIC LEGAL RIGHTS AND YOU MAY ALSO HAVE OTHER RIGHTS, WHICH VARY FROM STATE TO STATE OR PROVINCE TO PROVINCE.

Outside the 50 United States and Canada, this warranty does not apply. Contact your authorized Jenn-Air dealer to determine if another warranty applies.

If you need service, first see the "Troubleshooting" section of the Use & Care Guide. After checking "Troubleshooting," additional help can be found by checking the "Assistance or Service" section or by calling Jenn-Air. In the U.S.A., call **1-800-JENNAIR (1-800-536-6247)**. In Canada, call **1-800-807-6777**.

2/07

**Keep this book and your sales slip together for future reference. You must provide proof of purchase or installation date for in-warranty service.**

Write down the following information about your major appliance to better help you obtain assistance or service if you ever need it. You will need to know your complete model number and serial number. You can find this information on the model and serial number label located on the product.

Dealer name \_\_\_\_\_

Address \_\_\_\_\_

Phone number \_\_\_\_\_

Model number \_\_\_\_\_

Serial number \_\_\_\_\_

Purchase date \_\_\_\_\_

W10134195

© 2007  
All rights reserved.  
Tous droits réservés.

© Registered Trademark™ Trademark of Jenn-Air U.S.A.  
Used under license in Canada.  
© Marque déposée™ Marque de commerce de Jenn-Air U.S.A.  
Utilisé sous licence par Canada.

8/07  
Printed in U.S.A.  
Imprimé aux É.-U.

# **JENN-AIR® 30" AND 36" (76.2 CM AND 91.4 CM) WALL-MOUNT CANOPY RANGE HOOD/ HOTTE DE CUISINIÈRE POUR MONTAGE MURAL 30" ET 36" (76,2 CM ET 91,4 CM)**

---

## **Installation Instructions and Use & Care Guide**

For questions about features, operation/performance, parts, accessories, or service in the U.S.A., call:

**1-800-JENNAIR (1-800-536-6247)** or visit our website at **www.jennair.com**.

In Canada, call: **1-800-807-6777**, or visit our website at **www.jennair.ca**.

---

## **Instructions d'installation et Guide d'utilisation et d'entretien**

Au Canada, pour assistance, installation ou service, composez le **1-800-807-6777** ou visitez notre site web à **www.jennair.ca**.

---

Table of Contents/Table des matières2

---

**IMPORTANT: READ AND SAVE THESE INSTRUCTIONS.  
FOR RESIDENTIAL USE ONLY.**

**IMPORTANT : LIRE ET CONSERVER CES INSTRUCTIONS.  
POUR UTILISATION RÉSIDENNELLE UNIQUEMENT.**



W10134195

## TABLE OF CONTENTS

<b>RANGE HOOD SAFETY</b> .....	2
<b>INSTALLATION REQUIREMENTS</b> .....	4
Tools and Parts .....	4
Location Requirements .....	4
Venting Requirements .....	5
Electrical Requirements .....	6
<b>INSTALLATION INSTRUCTIONS</b> .....	7
Prepare Location .....	7
Install Range Hood .....	8
Connect Vent System .....	8
Make Electrical Connection .....	9
Install Vent Covers .....	10
Install Filters .....	10
Complete Installation .....	10
<b>RANGE HOOD USE</b> .....	10
<b>RANGE HOOD CARE</b> .....	11
Cleaning .....	11
<b>WIRING DIAGRAM</b> .....	12
<b>ASSISTANCE OR SERVICE</b> .....	13
In the U.S.A. ....	13
Accessories List .....	13
In Canada .....	13
Accessories List .....	13
<b>WARRANTY</b> .....	14

## TABLE DES MATIÈRES

## RANGE HOOD SAFETY

### Your safety and the safety of others are very important.

We have provided many important safety messages in this manual and on your appliance. Always read and obey all safety messages.



This is the safety alert symbol.

This symbol alerts you to potential hazards that can kill or hurt you and others.

All safety messages will follow the safety alert symbol and either the word "DANGER" or "WARNING."

These words mean:

**⚠ DANGER**

You can be killed or seriously injured if you don't immediately follow instructions.

**⚠ WARNING**

You can be killed or seriously injured if you don't follow instructions.

All safety messages will tell you what the potential hazard is, tell you how to reduce the chance of injury, and tell you what can happen if the instructions are not followed.



# IMPORTANT SAFETY INSTRUCTIONS

**WARNING:** TO REDUCE THE RISK OF FIRE, ELECTRIC SHOCK, OR INJURY TO PERSONS, OBSERVE THE FOLLOWING:

- Use this unit only in the manner intended by the manufacturer. If you have questions, contact the manufacturer.
- Before servicing or cleaning the unit, switch power off at service panel and lock the service disconnecting means to prevent power from being switched on accidentally. When the service disconnecting means cannot be locked, securely fasten a prominent warning device, such as a tag, to the service panel.
- Installation work and electrical wiring must be done by qualified person(s) in accordance with all applicable codes and standards, including fire-rated construction.
- Sufficient air is needed for proper combustion and exhausting of gases through the flue (chimney) of fuel burning equipment to prevent backdrafting. Follow the heating equipment manufacturer's guideline and safety standards such as those published by the National Fire Protection Association (NFPA), the American Society for Heating, Refrigeration and Air Conditioning Engineers (ASHRAE), and the local code authorities.
- When cutting or drilling into wall or ceiling; do not damage electrical wiring and other utilities.
- Ducted fans must always be vented outdoors.

**CAUTION:** For general ventilating use only. Do not use to exhaust hazardous or explosive materials and vapors.

**CAUTION:** To reduce risk of fire and to properly exhaust air, be sure to duct air outside - do not vent exhaust air into spaces within walls or ceilings, attics or into crawl spaces, or garages.

**WARNING:** TO REDUCE THE RISK OF FIRE, USE ONLY METAL DUCTWORK.

**WARNING:** TO REDUCE THE RISK OF A RANGE TOP GREASE FIRE:

- Never leave surface units unattended at high settings. Boilovers cause smoking and greasy spillovers that may ignite. Heat oils slowly on low or medium settings.
- Always turn hood ON when cooking at high heat or when flambeing food (i.e. Crepes Suzette, Cherries Jubilee, Peppercorn Beef Flambé).
- Clean ventilating fans frequently. Grease should not be allowed to accumulate on fan or filter.
- Use proper pan size. Always use cookware appropriate for the size of the surface element.

**WARNING:** TO REDUCE THE RISK OF INJURY TO PERSONS IN THE EVENT OF A RANGE TOP GREASE FIRE, OBSERVE THE FOLLOWING:<sup>a</sup>

- **SMOTHER FLAMES** with a close fitting lid, cookie sheet, or metal tray, then turn off the burner. **BE CAREFUL TO PREVENT BURNS.** If the flames do not go out immediately, **EVACUATE AND CALL THE FIRE DEPARTMENT.**
- **NEVER PICK UP A FLAMING PAN** - you may be burned.
- **DO NOT USE WATER**, including wet dishcloths or towels - a violent steam explosion will result.
- Use an extinguisher **ONLY** if:
  - You know you have a class ABC extinguisher, and you already know how to operate it.
  - The fire is small and contained in the area where it started.
  - The fire department is being called.
  - You can fight the fire with your back to an exit.

<sup>a</sup>Based on "Kitchen Fire Safety Tips" published by NFPA.

- **WARNING:** To reduce the risk of fire or electrical shock, do not use this fan with any solid-state speed control device.

## SAVE THESE INSTRUCTIONS

# INSTALLATION REQUIREMENTS

## Tools and Parts

Gather the required tools and parts before starting installation. Read and follow the instructions provided with any tools listed here.

### Tools needed

- Level
- Drill with 1¼" (3 cm), ⅜" (9.5 mm), 7⁄64" (2.75 mm) and ⅛" (3 mm) drill bits
- Pencil
- Wire stripper or utility knife
- Tape measure or ruler
- Pliers
- Caulking gun and weatherproof caulking compound
- Vent clamps
- Jigsaw or keyhole saw
- Flat-blade screwdriver
- Metal snips
- Phillips screwdriver

### Parts needed

- Home power supply cable
- ½" (12.7 mm) UL listed or CSA approved strain relief
- 3 UL listed wire connectors

### For vented installations, you will also need:

- 1 wall or roof cap
- Metal vent system

### For non-vented (recirculating) installations, you will also need:

- Charcoal Filter Kit Part Number W10158163 for non-vented (recirculating) installations only. See "Assistance or Service" section to order.

### Parts supplied

Remove parts from packages. Check that all parts are included.

- Hood canopy assembly with ventilator and light bulbs installed
- Deflector for non-vented (recirculating) installations
- Vent transition with back draft dampers installed
- Filter(s) - depending on model and size
- 2 mounting hooks
- Vent cover support bracket (3 pieces)
- Mounting template
- 2-piece vent cover
- 2 - 2.9 x 6.5 mm screws
- 4 - 4 x 8 mm screws

- 8 - 3.5 x 9.5 mm screws
- 2 - 6 x 70 mm screws
- 6 - 5 x 35 mm mounting screws
- 2 - 10 x 70 mm drywall anchors
- Allen wrench for Torx®† head screws

## Location Requirements

**IMPORTANT:** Observe all governing codes and ordinances.

Have a qualified technician install the range hood. It is the installer's responsibility to comply with installation clearances specified on the model/serial rating plate. The model/serial rating plate is located behind the left filter on the rear wall of the vent hood.

Canopy hood location should be away from strong draft areas, such as windows, doors and strong heating vents.

Cabinet opening dimensions that are shown must be used. Given dimensions provide minimum clearance.

Grounded electrical outlet is required. See "Electrical Requirements" section.

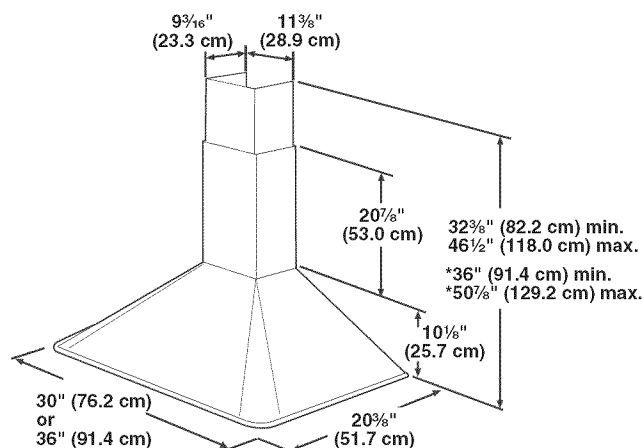
The canopy hood is factory set for venting through the roof or wall. For non-vented (recirculating) installation see "Non-vented (recirculating) Installations" in "Prepare Location" section. Charcoal Filter Kit Part Number W10158163 is available from your dealer or an authorized parts distributor.

All openings in ceiling and wall where canopy hood will be installed must be sealed.

### For Mobile Home Installations

The installation of this range hood must conform to the Manufactured Home Construction Safety Standards, Title 24 CFR, Part 328 (formerly the Federal Standard for Mobile Home Construction and Safety, Title 24, HUD, Part 280) or when such standard is not applicable, the standard for Manufactured Home Installation 1982 (Manufactured Home Sites, Communities and Setups) ANSI A225.1/NFPA 501A\*, or latest edition, or with local codes.

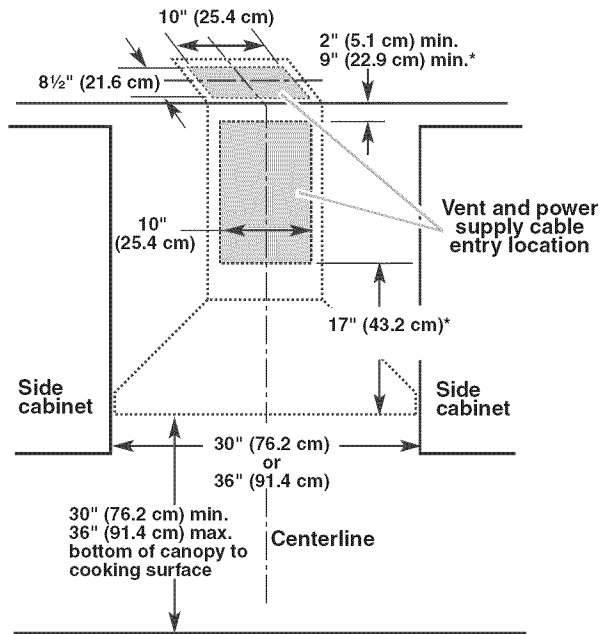
## Product Dimensions



\*For non-vented (recirculating) installations

†®TORX is a registered trademark of Textron Innovations Inc.

## Installation Dimensions



\*For non-vented (recirculating) installations

## Venting Requirements (vented models only)

- Vent system must terminate to the outdoors, except for non-vented (recirculating) installations.
- Do not terminate the vent system in an attic or other enclosed area.
- Do not use 4" (10.2 cm) laundry-type wall cap.
- Use metal vent only. Rigid metal vent is recommended. Plastic or metal foil vent is not recommended.
- The length of vent system and number of elbows should be kept to a minimum to provide efficient performance.

### For the most efficient and quiet operation:

- Use no more than three 90° elbows.
- Make sure there is a minimum of 24" (61 cm) of straight vent between the elbows if more than 1 elbow is used.
- Do not install 2 elbows together.
- Use clamps to seal all joints in the vent system.
- The vent system must have a damper. If the roof or wall cap has a damper, do not use the damper supplied with the range hood.
- Use caulking to seal exterior wall or roof opening around the cap.
- The size of the vent should be uniform.

## Cold weather installations

An additional back draft damper should be installed to minimize backward cold air flow and a thermal break should be installed to minimize conduction of outside temperatures as part of the vent system. The damper should be on the cold air side of the thermal break.

The break should be as close as possible to where the vent system enters the heated portion of the house.

## Makeup air

Local building codes may require the use of makeup air systems when using ventilation systems greater than specified CFM of air movement. The specified CFM varies from locale to locale. Consult your HVAC professional for specific requirements in your area.

## Venting Methods

This canopy hood is factory set for venting through the roof or wall.

A 8" (20.0 cm) round vent system is needed for installation (not included). The hood exhaust opening is 8" (20.0 cm) round.

**NOTE:** Flexible vent is not recommended. Flexible vent creates back pressure and air turbulence that greatly reduce performance.

Vent system can terminate either through the roof or wall. To vent through a wall, a 90° elbow is needed.

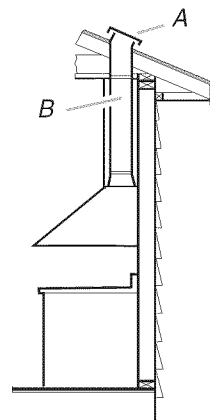
## Rear discharge

A 90° elbow may be installed immediately above the hood.

## For non-vented (recirculating) installations

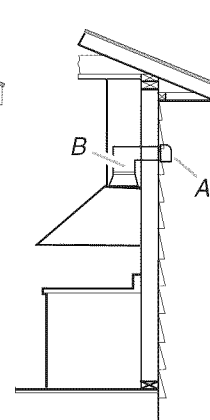
If it is not possible to vent cooking fumes and vapors to the outside, the hood can be used in the non-vented (recirculating) version, fitting an activated carbon filter and the deflector. Fumes and vapors are recycled through the top grille.

### Roof Venting



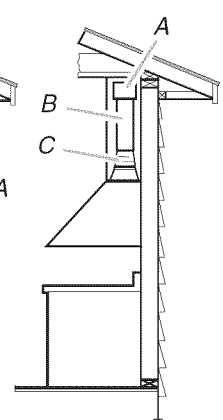
A. Roof cap  
B. 8" (20.0 cm)  
round vent

### Wall Venting



A. Wall cap  
B. 8" (20.0 cm)  
round vent


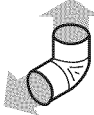
### Non-vented (recirculating)



A. Deflector  
B. 8" (20.0 cm)  
round vent  
C. Vent transition  
adapter

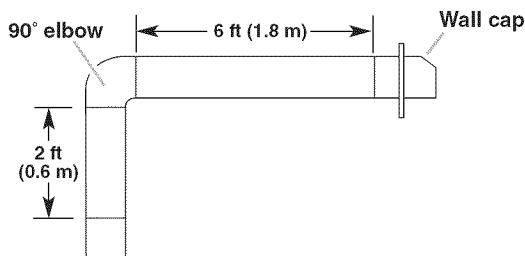
## Calculating Vent System Length

To calculate the length of the system you need, add the equivalent feet (meters) for each vent piece used in the system.

Vent Piece	8" (20.0 cm) Round	
45° elbow	2.5 ft (0.8 m)	
90° elbow	5.0 ft (1.5 m)	

Maximum equivalent vent length is 35 ft (10.7 m).

### Example vent system



The following example falls within the maximum recommended vent length of 35 ft (10.7 m).

1 - 90° elbow	= 5.0 ft (1.5 m)
1 - wall cap	= 0.0 ft (0.0 m)
8 ft (2.4 m) straight	= 8.0 ft (2.4 m)
<b>Length of system</b>	<b>= 13.0 ft (3.9 m)</b>

## Electrical Requirements

Observe all governing codes and ordinances.

Ensure that the electrical installation is adequate and in conformance with National Electrical Code, ANSI/NFPA 70 (latest edition), or CSA Standards C22.1-94, Canadian Electrical Code, Part 1 and C22.2 No. 0-M91 (latest edition) and all local codes and ordinances.

If codes permit and a separate ground wire is used, it is recommended that a qualified electrician determine that the ground path is adequate.

A copy of the above code standards can be obtained from:

National Fire Protection Association  
 One Batterymarch Park  
 Quincy, MA 02269  
 CSA International  
 8501 East Pleasant Valley Road  
 Cleveland, OH 44131-5575

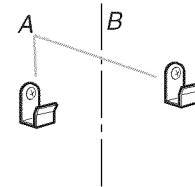
- A 120 Volt, 60 Hz., AC only, 15-amp, fused electrical circuit is required.
- If the house has aluminum wiring follow the procedure below:
  1. Connect a section of solid copper wire to the pigtail leads.
  2. Connect the aluminum wiring to the added section of copper wire using special connectors and/or tools designed and UL listed for joining copper to aluminum.
 Follow the electrical connector manufacturer's recommended procedure. Aluminum/copper connection must conform with local codes and industry accepted wiring practices.
- Wire sizes and connections must conform with the rating of the appliance as specified on the model/serial rating plate. The model/serial plate is located behind the filter on the rear wall of the hood.
- Wire sizes must conform to the requirements of the National Electrical Code, ANSI/NFPA 70 (latest edition), or CSA Standards C22.1-94, Canadian Electrical Code, Part 1 and C22.2 No. 0-M91 (latest edition) and all local codes and ordinances.

# INSTALLATION INSTRUCTIONS

## Prepare Location

- It is recommended that the vent system be installed before hood is installed.
  - Before making cutouts, make sure there is proper clearance within the ceiling or wall for exhaust vent.
  - Check your ceiling height and the hood height maximum before you select your hood.
1. Disconnect pwr
  2. Determine which venting method to use: roof, wall, or non-vented.
  3. Select a flat surface for assembling the range hood. Place covering over that surface.

8. Mark centers of the 6 fastener locations through the template to the wall.  
**IMPORTANT:** All screws must be installed into wood.  
Remove the template.
9. Drill  $\frac{7}{64}$ " (2.75 mm) pilot holes at all locations where screws are being installed into wood.
10. Attach two mounting hooks to the wall at location marked on the template.



A. Mounting hooks  
B. Centerline on wall

## ⚠ WARNING

### Excessive Weight Hazard

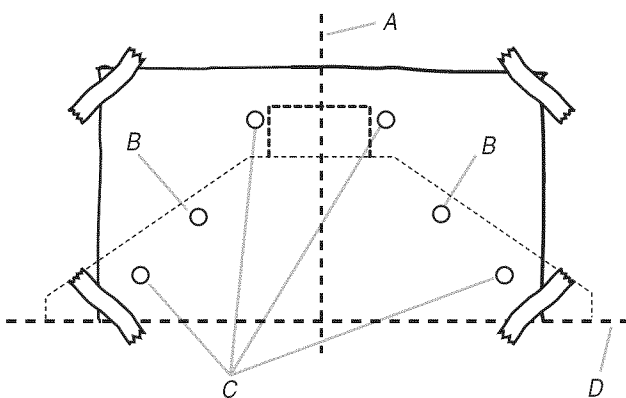
Use two or more people to move and install range hood.

Failure to do so can result in back or other injury.

4. Using 2 or more people, lift range hood onto covered surface.

## Range Hood Mounting Screws Installation

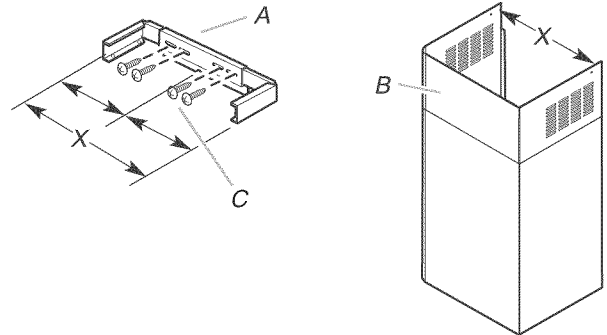
5. Determine and mark the centerline on the wall where the canopy hood will be installed.
6. Select a mounting height between a minimum of 30" (76.2 cm) and a suggested maximum of 36" (91.4 cm), above the range to the bottom of the hood and mark reference line on the wall.
7. Tape template in place, aligning the template centerline and bottom of template with hood bottom line and with the centerline marked on the wall.



A. Centerline  
B. Mounting hook location  
C. Fastener locations  
D. Mounting height reference

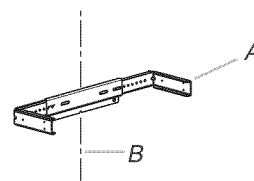
## Vent Cover Bracket Assembly and Installation

1. Assemble the 3 pieces of the vent cover bracket using 4 - 4 x 8 mm screws provided. The assembled bracket should be sized to fit inside the upper vent cover.



A. Vent cover bracket assembly  
B. Upper vent cover  
C. 4 x 8 mm screws

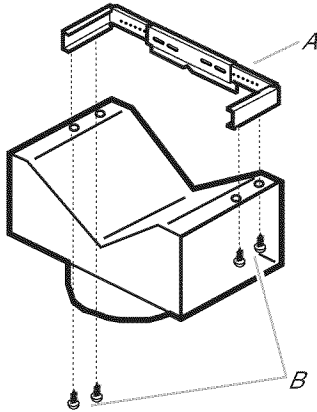
2. Install vent cover bracket to wall about  $\frac{1}{8}$ " (3.0 mm) away from the ceiling. Use 2 - 6 x 70 mm screws with 10 x 70 mm drywall anchors supplied.



A. Vent cover bracket  
B. Centerline on wall

## Non-Vented (recirculating) Installations

1. Connect the deflector to the vent cover bracket using 4 - 3.5 x 9.5 sheet metal screws provided.



A. Vent cover bracket  
B. 3.5 x 9.5 mm sheet metal screws

## Complete Preparation

1. Determine and make all necessary cuts in the wall for the vent system. Install the vent system before installing the hood. See "Venting Requirements" section.
2. Determine the required height for the home power supply cable and drill a 1 1/4" (3.2 cm) hole at this location.
3. Run wire through the home power supply cable according to the National Electrical Code or CSA Standards and local codes and ordinances. There must be enough 1/2" conduit and wires from the fused disconnect (or circuit breaker) box to make the connection in the hood's electrical terminal box.  
**NOTE:** Do not reconnect power until installation is complete.
4. Use caulk to seal all openings.

## Install Range Hood

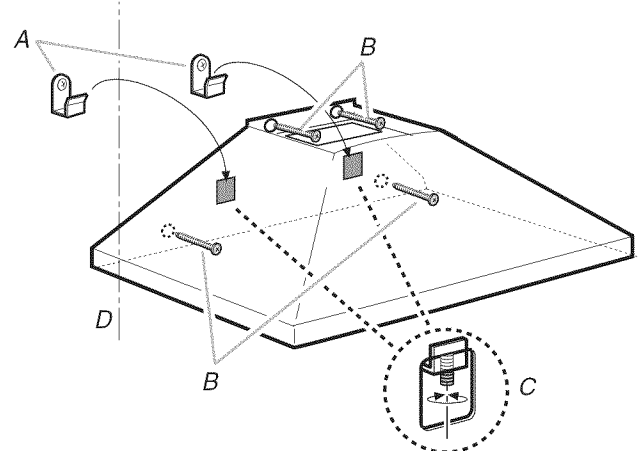
### **⚠ WARNING**

#### Excessive Weight Hazard

Use two or more people to move and install range hood.

Failure to do so can result in back or other injury.

1. Using 2 or more people, hang range hood on 2 mounting hooks through the rectangular cutouts on back of hood.

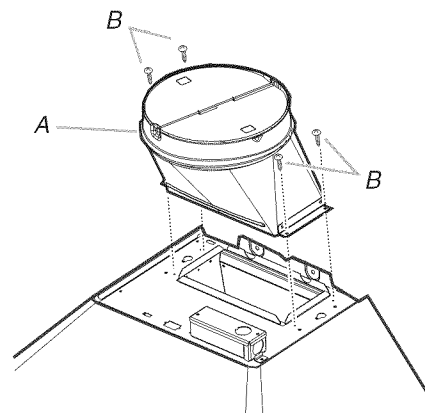


A. Mounting hooks  
B. 5 x 35 mm mounting screws  
C. Leveling screws  
D. Centerline on wall

2. Level the hood with leveling screws in mounting hooks or rectangular cutouts, using a level across bottom of hood.
3. Secure hood with 4 screws through remaining 4 holes in hood.

## Connect Vent System

1. Install transition on top of range hood (if removed for shipping) with 4 - 3.5 x 9.5 mm sheet metal screws.



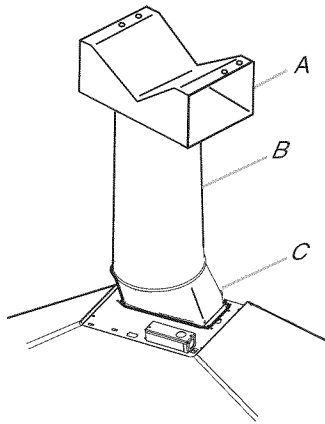
A. Vent transition  
B. 3.5 x 9.5 mm screw

**For Vented Installations Only:**

1. Fit vent system over transition piece.
2. Seal connection with clamps.
3. Check that backdraft dampers work properly.

**For Non-vented (recirculating) Installation Only:**

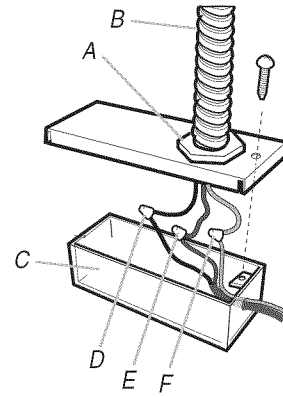
1. Fit vent system over deflector and transition piece.



A. Deflector  
B. Vent system  
C. Vent transition

2. Seal connection with clamps.
3. Check that backdraft dampers work properly.

4. Run 3 wires, black, white and green (14AWG), in 1/2" conduit from service panel to terminal box. Use caulking to seal opening.




A. UL listed or CSA approved strain relief  
B. Home power supply cable  
C. Terminal box  
D. Black wires  
E. Green (or bare) wire connected to yellow-green wire  
F. White wires

5. Use UL listed wire connectors and connect black wires (D) together.
6. Use UL listed wire connectors and connect white wires (F) together.

**Make Electrical Connection**

**⚠ WARNING**



**Electrical Shock Hazard**


**Disconnect power before servicing.**

**Replace all parts and panels before operating.**

**Failure to do so can result in death or electrical shock.**

1. Disconnect power.
2. Remove terminal box cover.
3. Remove the knockout in the terminal box cover and install a UL listed or CSA approved 1/2" strain relief.

**⚠ WARNING**



**Electrical Shock Hazard**

**Electrically ground blower.**

**Connect ground wire to green and yellow ground wire in terminal box.**

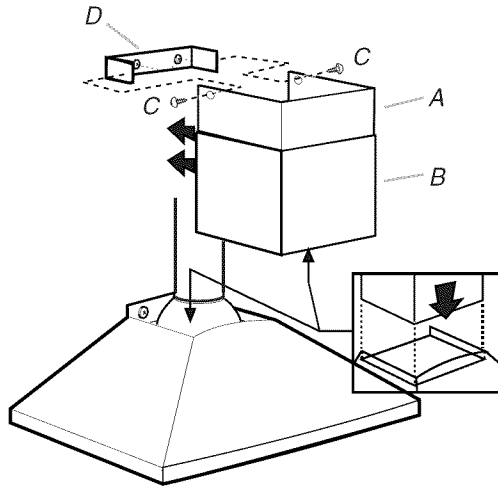
**Failure to do so can result in death or electrical shock.**

7. Connect green (or bare) ground wire from home power supply to yellow-green ground wire (E) in terminal box using UL listed wire connectors.
8. Tighten strain relief screw.
9. Install terminal box cover.
10. Check all light bulbs to make sure they are secure in their sockets.
11. Reconnect power.

## Install Vent Covers

When using both upper and lower vent covers, push lower cover down onto hood and lift upper cover to ceiling and install with two 2.9 x 6.5 mm screws.

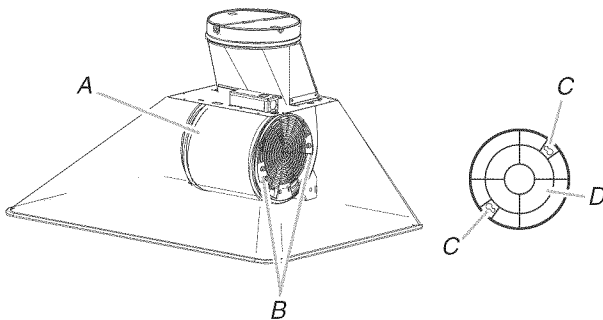
**NOTE:** Upper vent cover may be reversed to hide slots.



A. Upper vent cover  
B. Lower vent cover  
C. 2.9 x 6.5 mm screws  
D. Bracket

## Install Filters

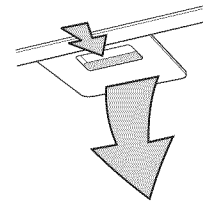
1. For non-vented (recirculating installations, install charcoal filter over grille on blower housing (2 charcoal filters necessary).
2. Align pins B with slots C on filter.
3. Turn filter clockwise until it locks in place or turn the central handle clockwise.
4. Repeat with other charcoal filter.



A. Blower housing  
B. Alignment pins  
C. Alignment slots  
D. Charcoal filter

5. For all installations, insert back edge of metal filter into rear channel of the filter opening.
6. Push handle toward the rear and push filter up.

7. Pull filter toward the front and insert into front channel.



## Complete Installation

### Check Range Hood Operation

1. Move the light switch to "1" position. The light should turn on.
2. Move blower switch to "1" position. The blower should operate.
3. Move the blower speed switch to "1" position for low speed, "2" position for medium speed or "3" position for high speed.
4. Move blower and light switches to "0" position to turn off blower and light.
5. If range hood does not operate, check to see whether a circuit breaker has tripped or a household fuse has blown.

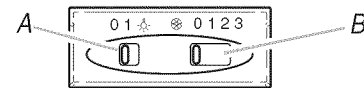
**NOTE:** To get the most efficient use from your new range hood, read the "Range Hood Use" section.

## RANGE HOOD USE

The range hood is designed to remove smoke, cooking vapors and odors from the cooktop area. For best results, start the hood before cooking and allow it to operate several minutes after the cooking is complete to clear all smoke and odors from the kitchen.

### Control Panel

The range hood controls are located on the front side of the canopy.



A. Light switch  
B. Blower switch

### Operating the Light

1. Move the light switch to the "1" position to turn on the light.
2. Move the light switch to the "0" position to turn off the light.

### Operating the Blower and Adjusting Blower Speed

1. Move the blower switch to the "1" position for low speed, the "2" position for medium speed or the "3" position for high speed.
2. Move the blower switch to the "0" position to turn off the blower.



# RANGE HOOD CARE

## Cleaning

**IMPORTANT:** Clean the hood and grease filters frequently according to the following instructions. Replace grease filters before operating hood.

Be sure lights are cool before cleaning the hood.

### Exterior Surfaces

Clean the range hood with a mild detergent and soft cloth. Do not use abrasive cleanser or steel-wool pads.

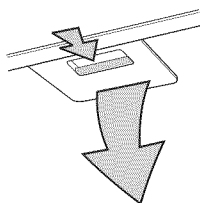
### Metal Grease Filters

The filters should be washed frequently. Place metal filters in dishwasher or hot detergent solution to clean.

Drain water through edge holes and let each filter dry thoroughly before replacing it.

### To Remove Metal Grease Filters

1. Turn off fan and lights. Check that halogen lamp is cool.
2. Push handle toward the rear and pull downward.
3. Pull filter toward the front.



### To Replace Metal Grease Filter

1. Insert back edge of filter into rear channel of the filter opening.
2. Push handle toward the rear and push filter up.
3. Pull filter toward the front and insert into front channel.

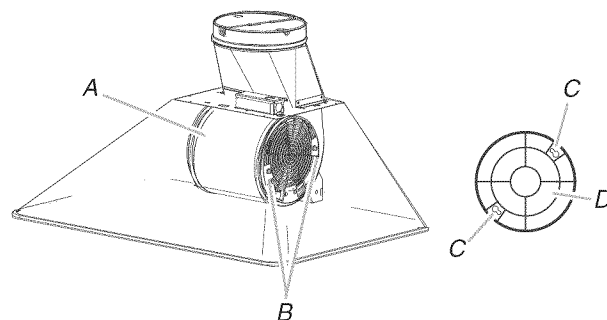
### Charcoal Filters - For Non-Vented (recirculating) Installations

The charcoal filters are not washable nor reusable. They should be changed every 6 months in normal use or more frequently in heavy use.

The charcoal filters capture unpleasant cooking odors.

### To Install Charcoal Filters

1. Turn fan and lights off. Check that halogen lamp is cool.
2. Remove the metal grease filters. See "Metal Grease Filters" section.
3. Set metal grease filter aside.
4. Repeat to remove other metal grease filter.
5. Install charcoal filter over grille on blower housing by aligning the pins B with the slots C and turning the filter clockwise until it locks in place or turn the central handle clockwise.



A. Blower housing  
B. Alignment pins  
C. Alignment slots  
D. Charcoal filter

6. Repeat to install other charcoal filter.
7. Replace metal grease filters. See "Metal Grease Filters" section.

### To Replace Charcoal Filters

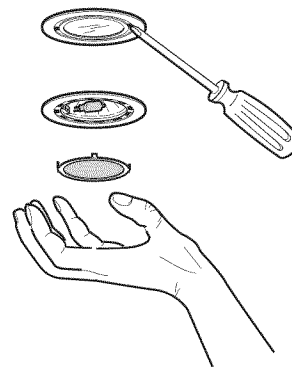
1. Turn fan and lights off. Check that halogen lamp is cool.
2. Remove the metal grease filters. See "Metal Grease Filters" section.
3. Turn charcoal filter counterclockwise.
4. Remove and discard both charcoal filters.
5. Install replacement charcoal filter over grille on blower housing by aligning the pins B with the slots C and turning the filter clockwise until it locks in place or turn the central handle clockwise.
6. Replace metal grease filters. See "Metal Grease Filters" section.

### Replacing a Halogen Lamp

Turn off the range hood and allow the halogen lamp to cool. Replace using a tissue.

If new lights do not operate, make sure the lamps are inserted correctly before calling service.

1. Disconnect power.
2. Use a flat-blade screwdriver and gently pry the light cover loose.



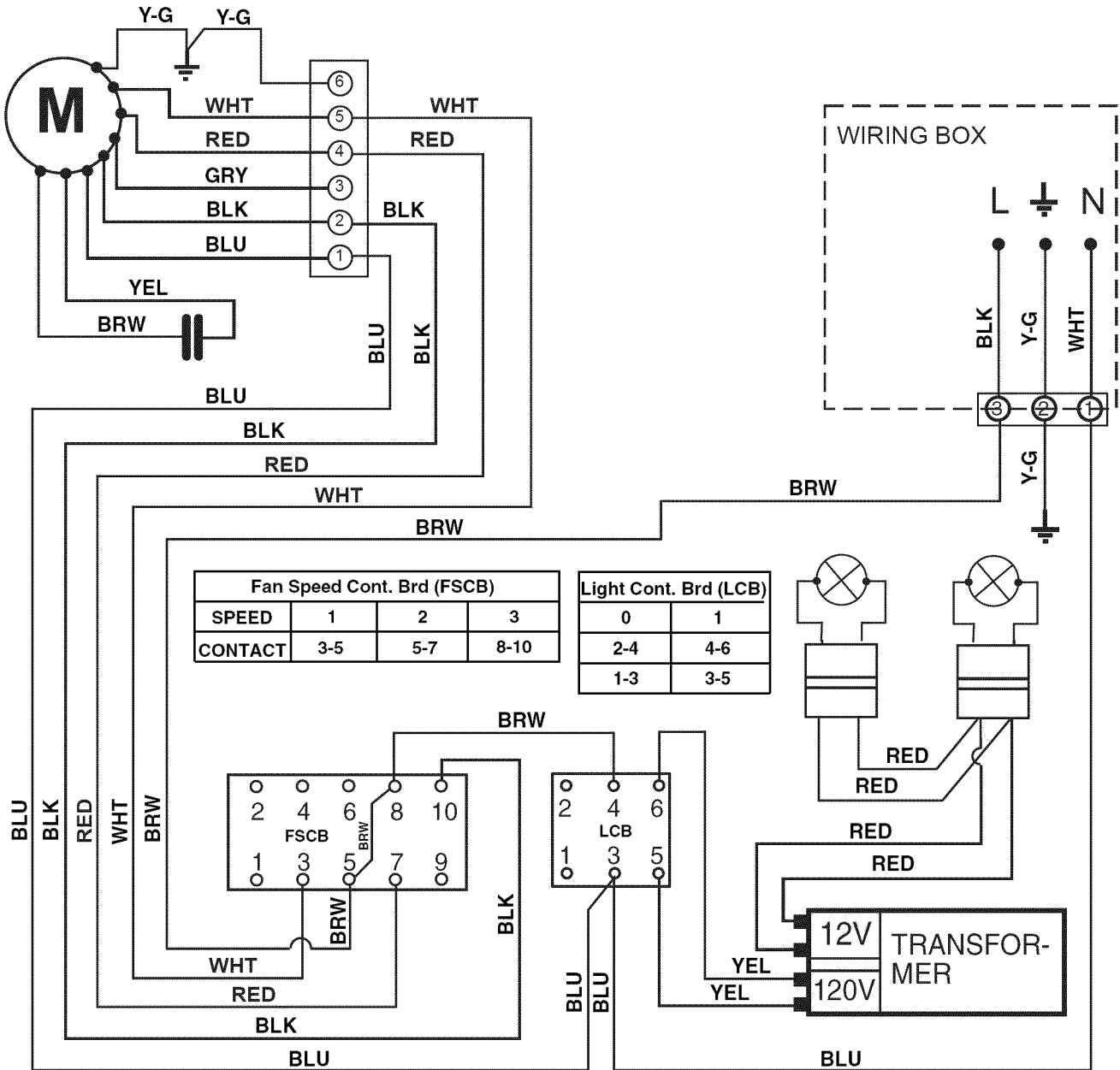
3. Remove the lamp and replace with a 12-volt, 20-watt maximum, halogen lamp made for a G-4 base.
4. Replace the light cover.

# WIRING DIAGRAM

SE1Q7A

MOTOR SPEED	CONNECTIONS TO TERMINALS
1	BLUE - WHITE
2	BLUE - RED
3	BLUE - BLACK

COLOR TABLE		COLOR TABLE	
BLK	BLACK	RED	RED
BLU	BLUE	WHT	WHITE
BRW	BROWN	YEL	YELLOW
GRN	GREEN	Y-G	YELLOW/GREEN
GRY	GREY		



---

# ASSISTANCE OR SERVICE

---

Before calling for assistance or service, please check “Troubleshooting.” It may save you the cost of a service call. If you still need help, follow the instructions below.

When calling, please know the purchase date and the complete model and serial number of your appliance. This information will help us to better respond to your request.

---

## In the U.S.A.

### If the problem is not due to one of the items listed in the “Troubleshooting” section...

Call the dealer from whom your appliance was purchased, or call Jenn-Air at **1-800-JENNAIR (1-800-536-6247)** to locate an authorized service company. When calling, please know the purchase date and the complete model and serial number of your appliance. Be sure to retain proof of purchase to verify warranty status.

If the dealer or service company cannot resolve your problem, write to:

**Jenn-Air Brand Home Appliances  
Customer eXperience Center  
553 Benson Road  
Benton Harbor, MI 49022-2692  
Web address: [www.jennair.com](http://www.jennair.com)**

Or call: **1-800-JENNAIR (1-800-536-6247)**.

U.S. customers using TTY for deaf, hearing impaired or speech impaired, call: **1-800-688-2080** (Monday - Friday, 8:00 a.m. - 8:00 p.m. Eastern Time).

**NOTE:** When writing or calling about a service problem, please include the following information:

1. Your name, address and daytime telephone number.
2. Appliance model number and serial number.
3. Name and address of your dealer or servicer.
4. A clear description of the problem you are having.
5. Proof of purchase (sales receipt).

User's guides, service manuals and parts information are available from Jenn-Air Brand Home Appliances, Customer eXperience Center.

---

## Accessories List

### Charcoal Filter Kit

(for non-vented installations only)

Order Part Number W10158163

---

## In Canada

### If the problem is not due to one of the items listed in the “Troubleshooting” section...

Call the dealer from whom your appliance was purchased, or call Jenn-Air at **1-800-807-6777** to locate an authorized service company. When calling, please know the purchase date and the complete model and serial number of your appliance. Be sure to retain proof of purchase to verify warranty status.

If the dealer or service company cannot resolve your problem, write to:

**Jenn-Air Brand Home Appliances  
Customer Interaction Centre  
1901 Minnesota Court  
Mississauga, ON L5N 3A7  
Web address: [www.jennair.ca](http://www.jennair.ca)**

Or call: **1-800-807-6777**.

**NOTE:** When writing or calling about a service problem, please include the following information:

1. Your name, address and daytime telephone number.
2. Appliance model number and serial number.
3. Name and address of your dealer or servicer.
4. A clear description of the problem you are having.
5. Proof of purchase (sales receipt).

User's guides, service manuals and parts information are available from Jenn-Air Brand Home Appliances, Customer Interaction Centre.

---

## Accessories List

### Charcoal Filter Kit

(for non-vented installations only)

Order Part Number W10158163

# JENN-AIR® MAJOR APPLIANCE WARRANTY

## ONE YEAR LIMITED WARRANTY

For one year from the date of purchase, when this major appliance is operated and maintained according to instructions attached to or furnished with the product, Jenn-Air brand of Maytag Corporation or Maytag Limited (hereafter "Jenn-Air") will pay for factory specified replacement parts and repair labor to correct defects in materials or workmanship. Service must be provided by a Jenn-Air designated service company. This limited warranty applies only when the major appliance is used in the country in which it was purchased.

### ITEMS JENN-AIR WILL NOT PAY FOR

1. Service calls to correct the installation of your major appliance, to instruct you how to use your major appliance, to replace or repair house fuses or to correct house wiring or plumbing.
2. Service calls to repair or replace appliance light bulbs, air filters or water filters. Those consumable parts are excluded from warranty coverage.
3. Repairs when your major appliance is used for other than normal, single-family household use.
4. Damage resulting from accident, alteration, misuse, abuse, fire, flood, acts of God, improper installation, installation not in accordance with electrical or plumbing codes, or use of products not approved by Jenn-Air.
5. Any food loss due to refrigerator or freezer product failures.
6. Replacement parts or repair labor costs for units operated outside the United States or Canada.
7. Pickup and delivery. This major appliance is designed to be repaired in the home.
8. Repairs to parts or systems resulting from unauthorized modifications made to the appliance.
9. Expenses for travel and transportation for product service in remote locations.
10. The removal and reinstallation of your appliance if it is installed in an inaccessible location or is not installed in accordance with published installation instructions.
11. Replacement parts or repair labor costs when the major appliance is used in a country other than the country in which it was purchased.

### DISCLAIMER OF IMPLIED WARRANTIES; LIMITATION OF REMEDIES

CUSTOMER'S SOLE AND EXCLUSIVE REMEDY UNDER THIS LIMITED WARRANTY SHALL BE PRODUCT REPAIR AS PROVIDED HEREIN. IMPLIED WARRANTIES, INCLUDING WARRANTIES OF MERCHANTABILITY OR FITNESS FOR A PARTICULAR PURPOSE, ARE LIMITED TO ONE YEAR OR THE SHORTEST PERIOD ALLOWED BY LAW. MAYTAG SHALL NOT BE LIABLE FOR INCIDENTAL OR CONSEQUENTIAL DAMAGES. SOME STATES AND PROVINCES DO NOT ALLOW THE EXCLUSION OR LIMITATION OF INCIDENTAL OR CONSEQUENTIAL DAMAGES, OR LIMITATIONS ON THE DURATION OF IMPLIED WARRANTIES OF MERCHANTABILITY OR FITNESS, SO THESE EXCLUSIONS OR LIMITATIONS MAY NOT APPLY TO YOU. THIS WARRANTY GIVES YOU SPECIFIC LEGAL RIGHTS AND YOU MAY ALSO HAVE OTHER RIGHTS, WHICH VARY FROM STATE TO STATE OR PROVINCE TO PROVINCE.

Outside the 50 United States and Canada, this warranty does not apply. Contact your authorized Jenn-Air dealer to determine if another warranty applies.

If you need service, first see the "Troubleshooting" section of the Use & Care Guide. After checking "Troubleshooting," additional help can be found by checking the "Assistance or Service" section or by calling Jenn-Air. In the U.S.A., call **1-800-JENNAIR (1-800-536-6247)**. In Canada, call **1-800-807-6777**.

2/07

**Keep this book and your sales slip together for future reference. You must provide proof of purchase or installation date for in-warranty service.**

Write down the following information about your major appliance to better help you obtain assistance or service if you ever need it. You will need to know your complete model number and serial number. You can find this information on the model and serial number label located on the product.

Dealer name \_\_\_\_\_

Address \_\_\_\_\_

Phone number \_\_\_\_\_

Model number \_\_\_\_\_

Serial number \_\_\_\_\_

Purchase date \_\_\_\_\_

W10134195

© 2007  
All rights reserved.  
Tous droits réservés.

© Registered Trademark/™ Trademark of Jenn-Air U.S.A.  
Used under license in Canada.  
© Marque déposée/™ Marque de commerce de Jenn-Air U.S.A.  
Utilisé sous licence par Canada.

8/07  
Printed in U.S.A.  
Imprimé aux É.-U.

# JENN-AIR® 30" AND 36" (76.2 CM AND 91.4 CM) WALL-MOUNT CANOPY RANGE HOOD/ HOTTE DE CUISINIÈRE POUR MONTAGE MURAL 30" ET 36" (76,2 CM ET 91,4 CM)

---

## Installation Instructions and Use & Care Guide

For questions about features, operation/performance, parts, accessories, or service in the U.S.A., call:

**1-800-JENNAIR (1-800-536-6247)** or visit our website at [www.jennair.com](http://www.jennair.com).

In Canada, call: **1-800-807-6777**, or visit our website at [www.jennair.ca](http://www.jennair.ca).

---

## Instructions d'installation et Guide d'utilisation et d'entretien

Au Canada, pour assistance, installation ou service, composez le **1-800-807-6777** ou visitez notre site web à [www.jennair.ca](http://www.jennair.ca).

---

Table of Contents/Table des matières2

---

**IMPORTANT: READ AND SAVE THESE INSTRUCTIONS.  
FOR RESIDENTIAL USE ONLY.**

**IMPORTANT : LIRE ET CONSERVER CES INSTRUCTIONS.  
POUR UTILISATION RÉSIDENIELLE UNIQUEMENT.**

 **JENN-AIR®**

W10134195

## TABLE OF CONTENTS

<b>RANGE HOOD SAFETY</b> .....	2
<b>INSTALLATION REQUIREMENTS</b> .....	4
Tools and Parts .....	4
Location Requirements .....	4
Venting Requirements .....	5
Electrical Requirements .....	6
<b>INSTALLATION INSTRUCTIONS</b> .....	7
Prepare Location .....	7
Install Range Hood .....	8
Connect Vent System .....	8
Make Electrical Connection .....	9
Install Vent Covers .....	10
Install Filters .....	10
Complete Installation .....	10
<b>RANGE HOOD USE</b> .....	10
<b>RANGE HOOD CARE</b> .....	11
Cleaning .....	11
<b>WIRING DIAGRAM</b> .....	12
<b>ASSISTANCE OR SERVICE</b> .....	13
In the U.S.A. ....	13
Accessories List .....	13
In Canada .....	13
Accessories List .....	13
<b>WARRANTY</b> .....	14

## TABLE DES MATIÈRES

## RANGE HOOD SAFETY

### Your safety and the safety of others are very important.

We have provided many important safety messages in this manual and on your appliance. Always read and obey all safety messages.



This is the safety alert symbol.

This symbol alerts you to potential hazards that can kill or hurt you and others.

All safety messages will follow the safety alert symbol and either the word "DANGER" or "WARNING."

These words mean:

**⚠ DANGER**

You can be killed or seriously injured if you don't immediately follow instructions.

**⚠ WARNING**

You can be killed or seriously injured if you don't follow instructions.

All safety messages will tell you what the potential hazard is, tell you how to reduce the chance of injury, and tell you what can happen if the instructions are not followed.

# IMPORTANT SAFETY INSTRUCTIONS

**WARNING:** TO REDUCE THE RISK OF FIRE, ELECTRIC SHOCK, OR INJURY TO PERSONS, OBSERVE THE FOLLOWING:

- Use this unit only in the manner intended by the manufacturer. If you have questions, contact the manufacturer.
- Before servicing or cleaning the unit, switch power off at service panel and lock the service disconnecting means to prevent power from being switched on accidentally. When the service disconnecting means cannot be locked, securely fasten a prominent warning device, such as a tag, to the service panel.
- Installation work and electrical wiring must be done by qualified person(s) in accordance with all applicable codes and standards, including fire-rated construction.
- Sufficient air is needed for proper combustion and exhausting of gases through the flue (chimney) of fuel burning equipment to prevent backdrafting. Follow the heating equipment manufacturer's guideline and safety standards such as those published by the National Fire Protection Association (NFPA), the American Society for Heating, Refrigeration and Air Conditioning Engineers (ASHRAE), and the local code authorities.
- When cutting or drilling into wall or ceiling; do not damage electrical wiring and other utilities.
- Ducted fans must always be vented outdoors.

**CAUTION:** For general ventilating use only. Do not use to exhaust hazardous or explosive materials and vapors.

**CAUTION:** To reduce risk of fire and to properly exhaust air, be sure to duct air outside - do not vent exhaust air into spaces within walls or ceilings, attics or into crawl spaces, or garages.

**WARNING:** TO REDUCE THE RISK OF FIRE, USE ONLY METAL DUCTWORK.

**WARNING:** TO REDUCE THE RISK OF A RANGE TOP GREASE FIRE:

- Never leave surface units unattended at high settings. Boilovers cause smoking and greasy spillovers that may ignite. Heat oils slowly on low or medium settings.
- Always turn hood ON when cooking at high heat or when flambeing food (i.e. Crepes Suzette, Cherries Jubilee, Peppercorn Beef Flambé).
- Clean ventilating fans frequently. Grease should not be allowed to accumulate on fan or filter.
- Use proper pan size. Always use cookware appropriate for the size of the surface element.

**WARNING:** TO REDUCE THE RISK OF INJURY TO PERSONS IN THE EVENT OF A RANGE TOP GREASE FIRE, OBSERVE THE FOLLOWING:<sup>a</sup>

- **SMOTHER FLAMES** with a close fitting lid, cookie sheet, or metal tray, then turn off the burner. **BE CAREFUL TO PREVENT BURNS.** If the flames do not go out immediately, **EVACUATE AND CALL THE FIRE DEPARTMENT.**
- **NEVER PICK UP A FLAMING PAN** - you may be burned.
- **DO NOT USE WATER**, including wet dishcloths or towels - a violent steam explosion will result.
- Use an extinguisher **ONLY** if:
  - You know you have a class ABC extinguisher, and you already know how to operate it.
  - The fire is small and contained in the area where it started.
  - The fire department is being called.
  - You can fight the fire with your back to an exit.

<sup>a</sup>Based on "Kitchen Fire Safety Tips" published by NFPA.

- **WARNING:** To reduce the risk of fire or electrical shock, do not use this fan with any solid-state speed control device.

## SAVE THESE INSTRUCTIONS

# INSTALLATION REQUIREMENTS

## Tools and Parts

Gather the required tools and parts before starting installation. Read and follow the instructions provided with any tools listed here.

### Tools needed

- Level
- Drill with 1¼" (3 cm), ⅜" (9.5 mm), 7⁄64" (2.75 mm) and ⅛" (3 mm) drill bits
- Pencil
- Wire stripper or utility knife
- Tape measure or ruler
- Pliers
- Caulking gun and weatherproof caulking compound
- Vent clamps
- Jigsaw or keyhole saw
- Flat-blade screwdriver
- Metal snips
- Phillips screwdriver

### Parts needed

- Home power supply cable
- ½" (12.7 mm) UL listed or CSA approved strain relief
- 3 UL listed wire connectors

### For vented installations, you will also need:

- 1 wall or roof cap
- Metal vent system

### For non-vented (recirculating) installations, you will also need:

- Charcoal Filter Kit Part Number W10158163 for non-vented (recirculating) installations only. See "Assistance or Service" section to order.

### Parts supplied

Remove parts from packages. Check that all parts are included.

- Hood canopy assembly with ventilator and light bulbs installed
- Deflector for non-vented (recirculating) installations
- Vent transition with back draft dampers installed
- Filter(s) - depending on model and size
- 2 mounting hooks
- Vent cover support bracket (3 pieces)
- Mounting template
- 2-piece vent cover
- 2 - 2.9 x 6.5 mm screws
- 4 - 4 x 8 mm screws

- 8 - 3.5 x 9.5 mm screws
- 2 - 6 x 70 mm screws
- 6 - 5 x 35 mm mounting screws
- 2 - 10 x 70 mm drywall anchors
- Allen wrench for Torx®† head screws

## Location Requirements

**IMPORTANT:** Observe all governing codes and ordinances.

Have a qualified technician install the range hood. It is the installer's responsibility to comply with installation clearances specified on the model/serial rating plate. The model/serial rating plate is located behind the left filter on the rear wall of the vent hood.

Canopy hood location should be away from strong draft areas, such as windows, doors and strong heating vents.

Cabinet opening dimensions that are shown must be used. Given dimensions provide minimum clearance.

Grounded electrical outlet is required. See "Electrical Requirements" section.

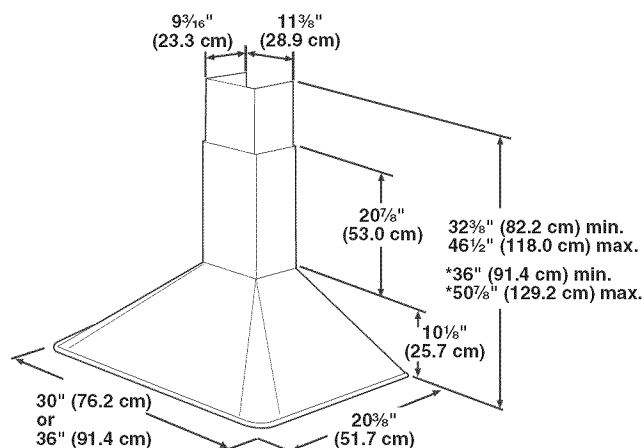
The canopy hood is factory set for venting through the roof or wall. For non-vented (recirculating) installation see "Non-vented (recirculating) Installations" in "Prepare Location" section. Charcoal Filter Kit Part Number W10158163 is available from your dealer or an authorized parts distributor.

All openings in ceiling and wall where canopy hood will be installed must be sealed.

### For Mobile Home Installations

The installation of this range hood must conform to the Manufactured Home Construction Safety Standards, Title 24 CFR, Part 328 (formerly the Federal Standard for Mobile Home Construction and Safety, Title 24, HUD, Part 280) or when such standard is not applicable, the standard for Manufactured Home Installation 1982 (Manufactured Home Sites, Communities and Setups) ANSI A225.1/NFPA 501A\*, or latest edition, or with local codes.

## Product Dimensions

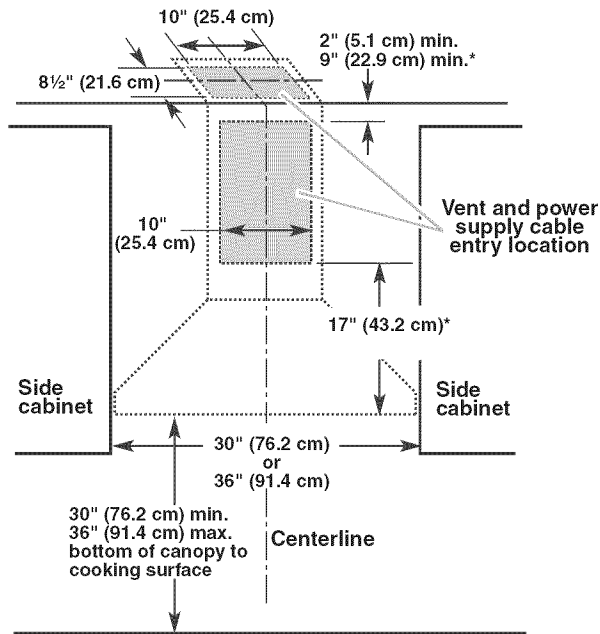


\*For non-vented (recirculating) installations

†®TORX is a registered trademark of Textron Innovations Inc.



## Installation Dimensions



\*For non-vented (recirculating) installations

## Venting Requirements (vented models only)

- Vent system must terminate to the outdoors, except for non-vented (recirculating) installations.
- Do not terminate the vent system in an attic or other enclosed area.
- Do not use 4" (10.2 cm) laundry-type wall cap.
- Use metal vent only. Rigid metal vent is recommended. Plastic or metal foil vent is not recommended.
- The length of vent system and number of elbows should be kept to a minimum to provide efficient performance.

### For the most efficient and quiet operation:

- Use no more than three 90° elbows.
- Make sure there is a minimum of 24" (61 cm) of straight vent between the elbows if more than 1 elbow is used.
- Do not install 2 elbows together.
- Use clamps to seal all joints in the vent system.
- The vent system must have a damper. If the roof or wall cap has a damper, do not use the damper supplied with the range hood.
- Use caulking to seal exterior wall or roof opening around the cap.
- The size of the vent should be uniform.

## Cold weather installations

An additional back draft damper should be installed to minimize backward cold air flow and a thermal break should be installed to minimize conduction of outside temperatures as part of the vent system. The damper should be on the cold air side of the thermal break.

The break should be as close as possible to where the vent system enters the heated portion of the house.

## Makeup air

Local building codes may require the use of makeup air systems when using ventilation systems greater than specified CFM of air movement. The specified CFM varies from locale to locale. Consult your HVAC professional for specific requirements in your area.

## Venting Methods

This canopy hood is factory set for venting through the roof or wall.

A 8" (20.0 cm) round vent system is needed for installation (not included). The hood exhaust opening is 8" (20.0 cm) round.

**NOTE:** Flexible vent is not recommended. Flexible vent creates back pressure and air turbulence that greatly reduce performance.

Vent system can terminate either through the roof or wall. To vent through a wall, a 90° elbow is needed.

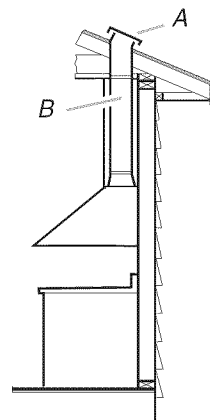
## Rear discharge

A 90° elbow may be installed immediately above the hood.

## For non-vented (recirculating) installations

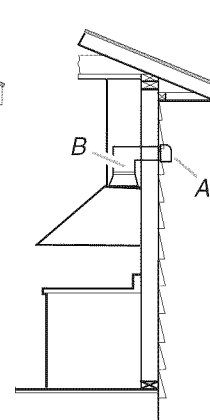
If it is not possible to vent cooking fumes and vapors to the outside, the hood can be used in the non-vented (recirculating) version, fitting an activated carbon filter and the deflector. Fumes and vapors are recycled through the top grille.

### Roof Venting



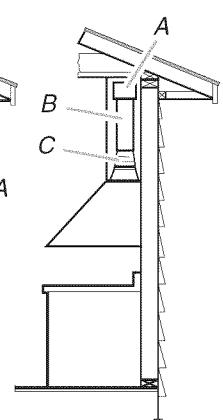
A. Roof cap  
B. 8" (20.0 cm)  
round vent

### Wall Venting



A. Wall cap  
B. 8" (20.0 cm)  
round vent


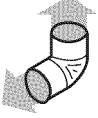
### Non-vented (recirculating)



A. Deflector  
B. 8" (20.0 cm)  
round vent  
C. Vent transition  
adapter

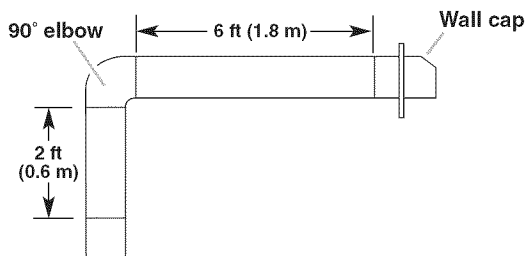
## Calculating Vent System Length

To calculate the length of the system you need, add the equivalent feet (meters) for each vent piece used in the system.

Vent Piece	8" (20.0 cm) Round	
45° elbow	2.5 ft (0.8 m)	
90° elbow	5.0 ft (1.5 m)	

Maximum equivalent vent length is 35 ft (10.7 m).

### Example vent system



The following example falls within the maximum recommended vent length of 35 ft (10.7 m).

1 - 90° elbow	= 5.0 ft (1.5 m)
1 - wall cap	= 0.0 ft (0.0 m)
8 ft (2.4 m) straight	= 8.0 ft (2.4 m)
<b>Length of system</b>	<b>= 13.0 ft (3.9 m)</b>

## Electrical Requirements

Observe all governing codes and ordinances.

Ensure that the electrical installation is adequate and in conformance with National Electrical Code, ANSI/NFPA 70 (latest edition), or CSA Standards C22.1-94, Canadian Electrical Code, Part 1 and C22.2 No. 0-M91 (latest edition) and all local codes and ordinances.

If codes permit and a separate ground wire is used, it is recommended that a qualified electrician determine that the ground path is adequate.

A copy of the above code standards can be obtained from:

National Fire Protection Association  
One Batterymarch Park  
Quincy, MA 02269

CSA International  
8501 East Pleasant Valley Road  
Cleveland, OH 44131-5575

- A 120 Volt, 60 Hz., AC only, 15-amp, fused electrical circuit is required.
- If the house has aluminum wiring follow the procedure below:
  1. Connect a section of solid copper wire to the pigtail leads.
  2. Connect the aluminum wiring to the added section of copper wire using special connectors and/or tools designed and UL listed for joining copper to aluminum.

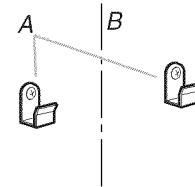
Follow the electrical connector manufacturer's recommended procedure. Aluminum/copper connection must conform with local codes and industry accepted wiring practices.
- Wire sizes and connections must conform with the rating of the appliance as specified on the model/serial rating plate. The model/serial plate is located behind the filter on the rear wall of the hood.
- Wire sizes must conform to the requirements of the National Electrical Code, ANSI/NFPA 70 (latest edition), or CSA Standards C22.1-94, Canadian Electrical Code, Part 1 and C22.2 No. 0-M91 (latest edition) and all local codes and ordinances.

# INSTALLATION INSTRUCTIONS

## Prepare Location

- It is recommended that the vent system be installed before hood is installed.
  - Before making cutouts, make sure there is proper clearance within the ceiling or wall for exhaust vent.
  - Check your ceiling height and the hood height maximum before you select your hood.
1. Disconnect pwr
  2. Determine which venting method to use: roof, wall, or non-vented.
  3. Select a flat surface for assembling the range hood. Place covering over that surface.

8. Mark centers of the 6 fastener locations through the template to the wall.  
**IMPORTANT:** All screws must be installed into wood.  
Remove the template.
9. Drill  $\frac{7}{64}$ " (2.75 mm) pilot holes at all locations where screws are being installed into wood.
10. Attach two mounting hooks to the wall at location marked on the template.



A. Mounting hooks  
B. Centerline on wall

## **⚠ WARNING**

### Excessive Weight Hazard

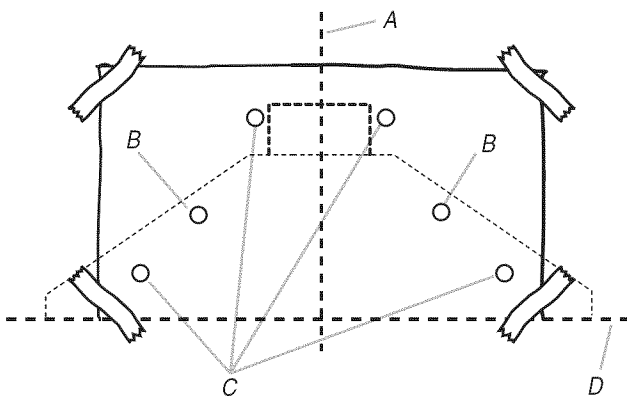
Use two or more people to move and install range hood.

Failure to do so can result in back or other injury.

4. Using 2 or more people, lift range hood onto covered surface.

## Range Hood Mounting Screws Installation

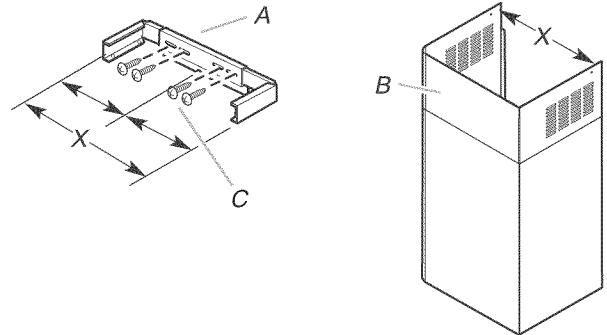
5. Determine and mark the centerline on the wall where the canopy hood will be installed.
6. Select a mounting height between a minimum of 30" (76.2 cm) and a suggested maximum of 36" (91.4 cm), above the range to the bottom of the hood and mark reference line on the wall.
7. Tape template in place, aligning the template centerline and bottom of template with hood bottom line and with the centerline marked on the wall.



A. Centerline  
B. Mounting hook location  
C. Fastener locations  
D. Mounting height reference

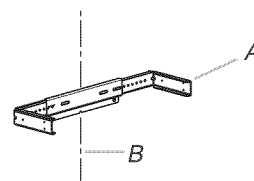
## Vent Cover Bracket Assembly and Installation

1. Assemble the 3 pieces of the vent cover bracket using 4 - 4 x 8 mm screws provided. The assembled bracket should be sized to fit inside the upper vent cover.



A. Vent cover bracket assembly  
B. Upper vent cover  
C. 4 x 8 mm screws

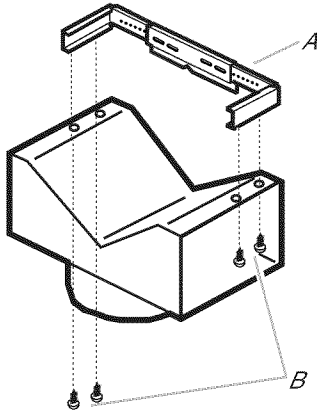
2. Install vent cover bracket to wall about  $\frac{1}{8}$ " (3.0 mm) away from the ceiling. Use 2 - 6 x 70 mm screws with 10 x 70 mm drywall anchors supplied.



A. Vent cover bracket  
B. Centerline on wall

## Non-Vented (recirculating) Installations

1. Connect the deflector to the vent cover bracket using 4 - 3.5 x 9.5 sheet metal screws provided.



A. Vent cover bracket  
B. C3.5 x 9.5 mm sheet metal screws

## Complete Preparation

1. Determine and make all necessary cuts in the wall for the vent system. Install the vent system before installing the hood. See "Venting Requirements" section.
2. Determine the required height for the home power supply cable and drill a 1 1/4" (3.2 cm) hole at this location.
3. Run wire through the home power supply cable according to the National Electrical Code or CSA Standards and local codes and ordinances. There must be enough 1/2" conduit and wires from the fused disconnect (or circuit breaker) box to make the connection in the hood's electrical terminal box.  
**NOTE:** Do not reconnect power until installation is complete.
4. Use caulk to seal all openings.

## Install Range Hood

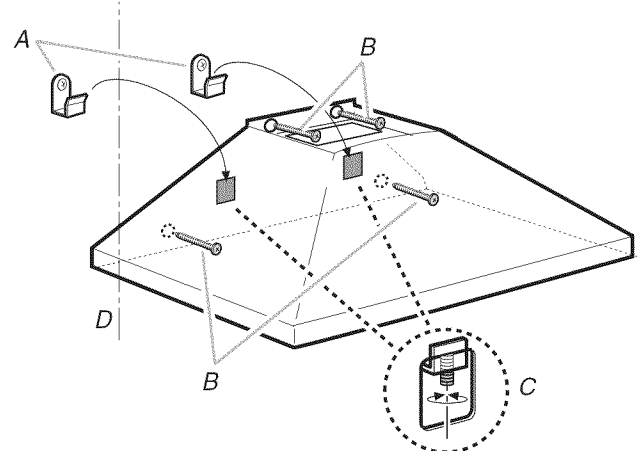
### **⚠ WARNING**

#### Excessive Weight Hazard

Use two or more people to move and install range hood.

Failure to do so can result in back or other injury.

1. Using 2 or more people, hang range hood on 2 mounting hooks through the rectangular cutouts on back of hood.

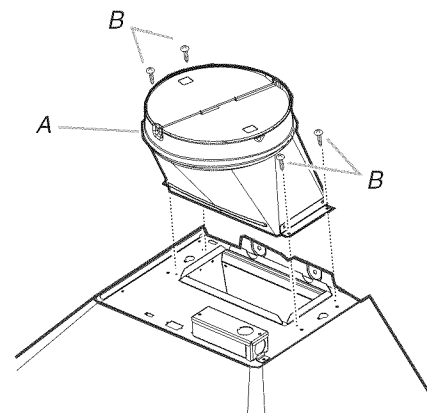


A. Mounting hooks  
B. 5 x 35 mm mounting screws  
C. Leveling screws  
D. Centerline on wall

2. Level the hood with leveling screws in mounting hooks or rectangular cutouts, using a level across bottom of hood.
3. Secure hood with 4 screws through remaining 4 holes in hood.

## Connect Vent System

1. Install transition on top of range hood (if removed for shipping) with 4 - 3.5 x 9.5 mm sheet metal screws.



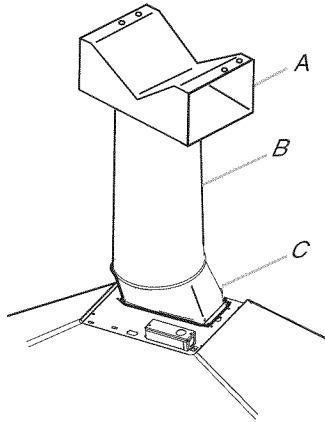
A. Vent transition  
B. 3.5 x 9.5 mm screw

**For Vented Installations Only:**

1. Fit vent system over transition piece.
2. Seal connection with clamps.
3. Check that backdraft dampers work properly.

**For Non-vented (recirculating) Installation Only:**

1. Fit vent system over deflector and transition piece.



A. Deflector  
B. Vent system  
C. Vent transition

2. Seal connection with clamps.
3. Check that backdraft dampers work properly.

**Make Electrical Connection**

**⚠ WARNING**

**Electrical Shock Hazard**

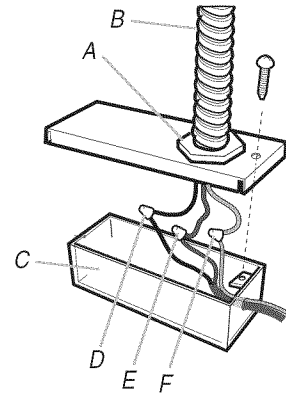
**Disconnect power before servicing.**

**Replace all parts and panels before operating.**

**Failure to do so can result in death or electrical shock.**

1. Disconnect power.
2. Remove terminal box cover.
3. Remove the knockout in the terminal box cover and install a UL listed or CSA approved 1/2" strain relief.

4. Run 3 wires, black, white and green (14AWG), in 1/2" conduit from service panel to terminal box. Use caulking to seal opening.



A. UL listed or CSA approved strain relief  
B. Home power supply cable  
C. Terminal box  
D. Black wires  
E. Green (or bare) wire connected to yellow-green wire  
F. White wires

5. Use UL listed wire connectors and connect black wires (D) together.
6. Use UL listed wire connectors and connect white wires (F) together.

**⚠ WARNING**

**Electrical Shock Hazard**

**Electrically ground blower.**

**Connect ground wire to green and yellow ground wire in terminal box.**

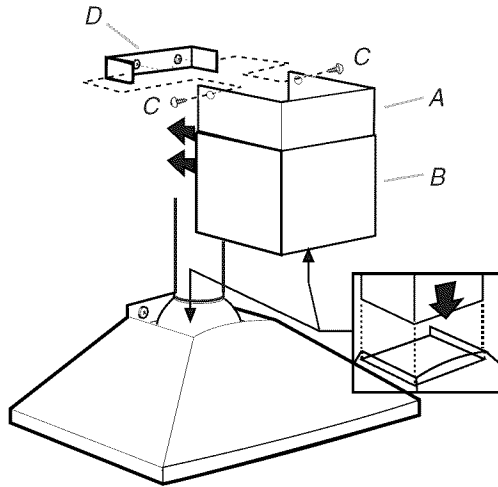
**Failure to do so can result in death or electrical shock.**

7. Connect green (or bare) ground wire from home power supply to yellow-green ground wire (E) in terminal box using UL listed wire connectors.
8. Tighten strain relief screw.
9. Install terminal box cover.
10. Check all light bulbs to make sure they are secure in their sockets.
11. Reconnect power.

## Install Vent Covers

When using both upper and lower vent covers, push lower cover down onto hood and lift upper cover to ceiling and install with two 2.9 x 6.5 mm screws.

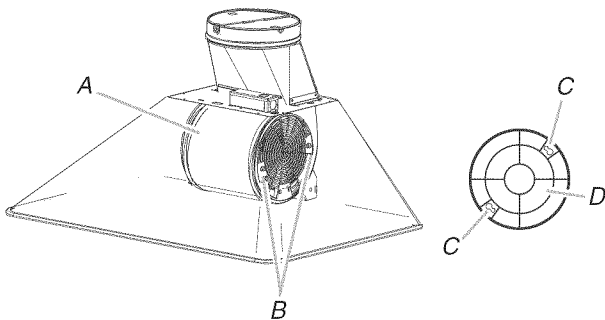
**NOTE:** Upper vent cover may be reversed to hide slots.



A. Upper vent cover  
B. Lower vent cover  
C. 2.9 x 6.5 mm screws  
D. Bracket

## Install Filters

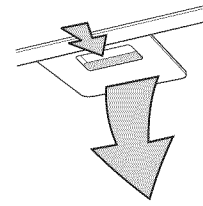
1. For non-vented (recirculating installations, install charcoal filter over grille on blower housing (2 charcoal filters necessary).
2. Align pins B with slots C on filter.
3. Turn filter clockwise until it locks in place or turn the central handle clockwise.
4. Repeat with other charcoal filter.



A. Blower housing  
B. Alignment pins  
C. Alignment slots  
D. Charcoal filter

5. For all installations, insert back edge of metal filter into rear channel of the filter opening.
6. Push handle toward the rear and push filter up.

7. Pull filter toward the front and insert into front channel.



## Complete Installation

### Check Range Hood Operation

1. Move the light switch to "1" position. The light should turn on.
2. Move blower switch to "1" position. The blower should operate.
3. Move the blower speed switch to "1" position for low speed, "2" position for medium speed or "3" position for high speed.
4. Move blower and light switches to "0" position to turn off blower and light.
5. If range hood does not operate, check to see whether a circuit breaker has tripped or a household fuse has blown.

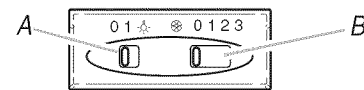
**NOTE:** To get the most efficient use from your new range hood, read the "Range Hood Use" section.

## RANGE HOOD USE

The range hood is designed to remove smoke, cooking vapors and odors from the cooktop area. For best results, start the hood before cooking and allow it to operate several minutes after the cooking is complete to clear all smoke and odors from the kitchen.

### Control Panel

The range hood controls are located on the front side of the canopy.



A. Light switch  
B. Blower switch

### Operating the Light

1. Move the light switch to the "1" position to turn on the light.
2. Move the light switch to the "0" position to turn off the light.

### Operating the Blower and Adjusting Blower Speed

1. Move the blower switch to the "1" position for low speed, the "2" position for medium speed or the "3" position for high speed.
2. Move the blower switch to the "0" position to turn off the blower.

# RANGE HOOD CARE

## Cleaning

**IMPORTANT:** Clean the hood and grease filters frequently according to the following instructions. Replace grease filters before operating hood.

Be sure lights are cool before cleaning the hood.

### Exterior Surfaces

Clean the range hood with a mild detergent and soft cloth. Do not use abrasive cleanser or steel-wool pads.

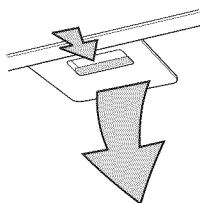
### Metal Grease Filters

The filters should be washed frequently. Place metal filters in dishwasher or hot detergent solution to clean.

Drain water through edge holes and let each filter dry thoroughly before replacing it.

### To Remove Metal Grease Filters

1. Turn off fan and lights. Check that halogen lamp is cool.
2. Push handle toward the rear and pull downward.
3. Pull filter toward the front.



### To Replace Metal Grease Filter

1. Insert back edge of filter into rear channel of the filter opening.
2. Push handle toward the rear and push filter up.
3. Pull filter toward the front and insert into front channel.

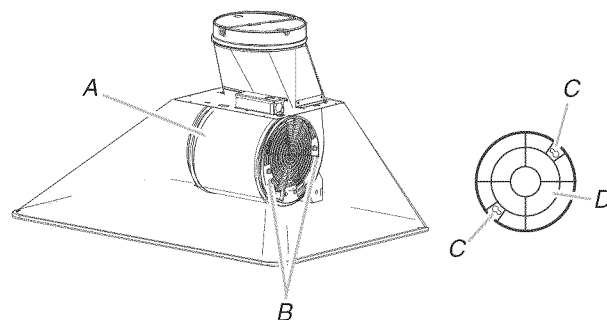
### Charcoal Filters - For Non-Vented (recirculating) Installations

The charcoal filters are not washable nor reusable. They should be changed every 6 months in normal use or more frequently in heavy use.

The charcoal filters capture unpleasant cooking odors.

### To Install Charcoal Filters

1. Turn fan and lights off. Check that halogen lamp is cool.
2. Remove the metal grease filters. See "Metal Grease Filters" section.
3. Set metal grease filter aside.
4. Repeat to remove other metal grease filter.
5. Install charcoal filter over grille on blower housing by aligning the pins B with the slots C and turning the filter clockwise until it locks in place or turn the central handle clockwise.



A. Blower housing  
B. Alignment pins  
C. Alignment slots  
D. Charcoal filter

6. Repeat to install other charcoal filter.
7. Replace metal grease filters. See "Metal Grease Filters" section.

### To Replace Charcoal Filters

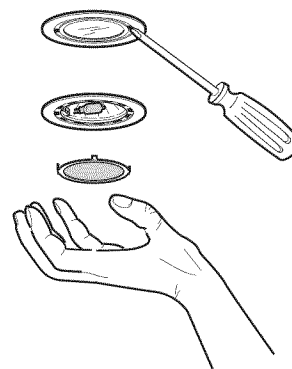
1. Turn fan and lights off. Check that halogen lamp is cool.
2. Remove the metal grease filters. See "Metal Grease Filters" section.
3. Turn charcoal filter counterclockwise.
4. Remove and discard both charcoal filters.
5. Install replacement charcoal filter over grille on blower housing by aligning the pins B with the slots C and turning the filter clockwise until it locks in place or turn the central handle clockwise.
6. Replace metal grease filters. See "Metal Grease Filters" section.

### Replacing a Halogen Lamp

Turn off the range hood and allow the halogen lamp to cool. Replace using a tissue.

If new lights do not operate, make sure the lamps are inserted correctly before calling service.

1. Disconnect power.
2. Use a flat-blade screwdriver and gently pry the light cover loose.



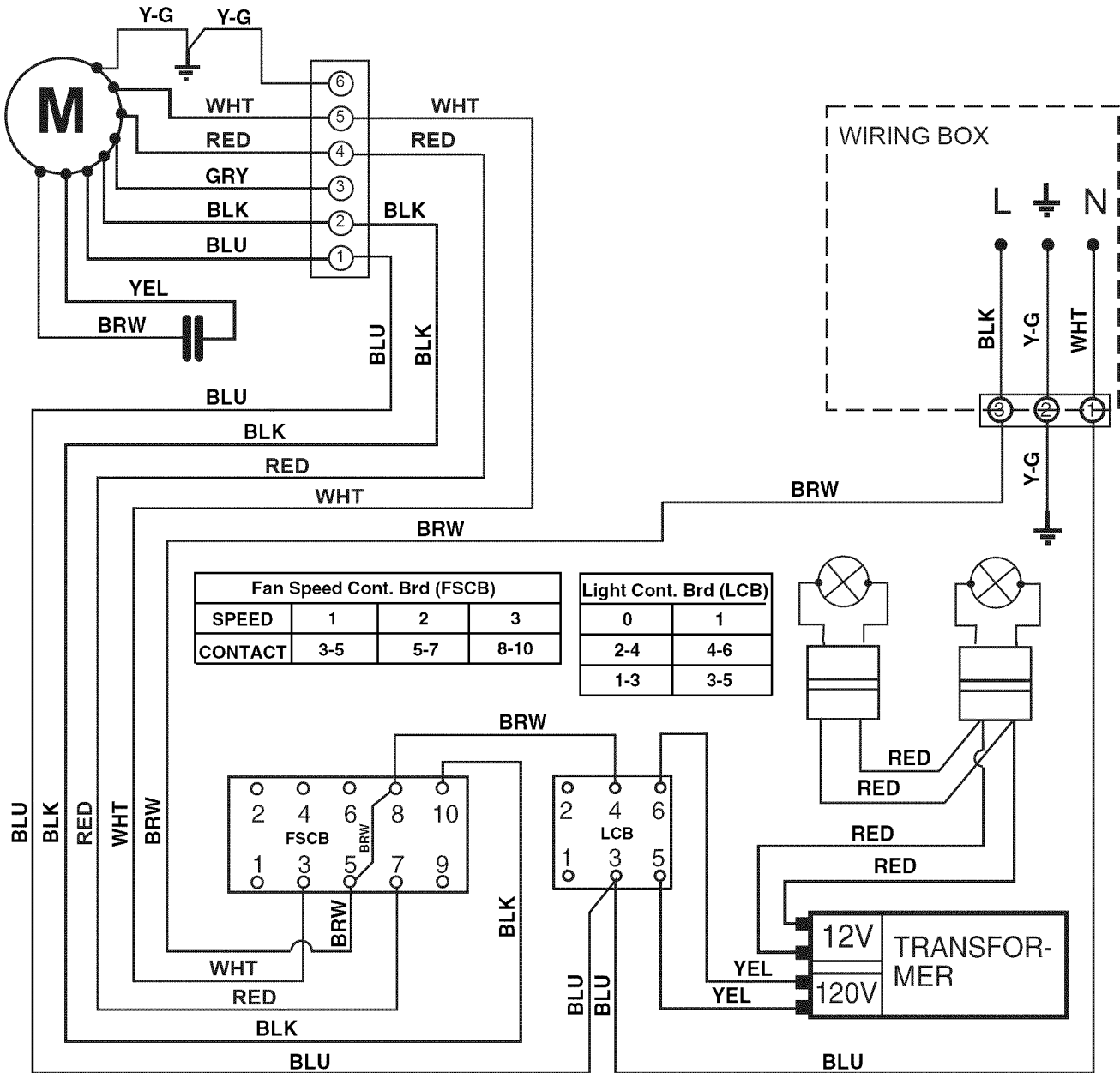
3. Remove the lamp and replace with a 12-volt, 20-watt maximum, halogen lamp made for a G-4 base.
4. Replace the light cover.

# WIRING DIAGRAM

SE1Q7A

MOTOR SPEED	CONNECTIONS TO TERMINALS
1	BLUE - WHITE
2	BLUE - RED
3	BLUE - BLACK

COLOR TABLE		COLOR TABLE	
BLK	BLACK	RED	RED
BLU	BLUE	WHT	WHITE
BRW	BROWN	YEL	YELLOW
GRN	GREEN	Y-G	YELLOW/GREEN
GRY	GREY		





---

# ASSISTANCE OR SERVICE

---

Before calling for assistance or service, please check "Troubleshooting." It may save you the cost of a service call. If you still need help, follow the instructions below.

When calling, please know the purchase date and the complete model and serial number of your appliance. This information will help us to better respond to your request.

---

## In the U.S.A.

### If the problem is not due to one of the items listed in the "Troubleshooting" section...

Call the dealer from whom your appliance was purchased, or call Jenn-Air at **1-800-JENNAIR (1-800-536-6247)** to locate an authorized service company. When calling, please know the purchase date and the complete model and serial number of your appliance. Be sure to retain proof of purchase to verify warranty status.

If the dealer or service company cannot resolve your problem, write to:

**Jenn-Air Brand Home Appliances  
Customer eXperience Center  
553 Benson Road  
Benton Harbor, MI 49022-2692  
Web address: [www.jennair.com](http://www.jennair.com)**

Or call: **1-800-JENNAIR (1-800-536-6247)**.

U.S. customers using TTY for deaf, hearing impaired or speech impaired, call: **1-800-688-2080** (Monday - Friday, 8:00 a.m. - 8:00 p.m. Eastern Time).

**NOTE:** When writing or calling about a service problem, please include the following information:

1. Your name, address and daytime telephone number.
2. Appliance model number and serial number.
3. Name and address of your dealer or servicer.
4. A clear description of the problem you are having.
5. Proof of purchase (sales receipt).

User's guides, service manuals and parts information are available from Jenn-Air Brand Home Appliances, Customer eXperience Center.

---

## Accessories List

### Charcoal Filter Kit

(for non-vented installations only)

Order Part Number W10158163

---

## In Canada

### If the problem is not due to one of the items listed in the "Troubleshooting" section...

Call the dealer from whom your appliance was purchased, or call Jenn-Air at **1-800-807-6777** to locate an authorized service company. When calling, please know the purchase date and the complete model and serial number of your appliance. Be sure to retain proof of purchase to verify warranty status.

If the dealer or service company cannot resolve your problem, write to:

**Jenn-Air Brand Home Appliances  
Customer Interaction Centre  
1901 Minnesota Court  
Mississauga, ON L5N 3A7  
Web address: [www.jennair.ca](http://www.jennair.ca)**

Or call: **1-800-807-6777**.

**NOTE:** When writing or calling about a service problem, please include the following information:

1. Your name, address and daytime telephone number.
2. Appliance model number and serial number.
3. Name and address of your dealer or servicer.
4. A clear description of the problem you are having.
5. Proof of purchase (sales receipt).

User's guides, service manuals and parts information are available from Jenn-Air Brand Home Appliances, Customer Interaction Centre.

---

## Accessories List

### Charcoal Filter Kit

(for non-vented installations only)

Order Part Number W10158163

# JENN-AIR® MAJOR APPLIANCE WARRANTY

## ONE YEAR LIMITED WARRANTY

For one year from the date of purchase, when this major appliance is operated and maintained according to instructions attached to or furnished with the product, Jenn-Air brand of Maytag Corporation or Maytag Limited (hereafter "Jenn-Air") will pay for factory specified replacement parts and repair labor to correct defects in materials or workmanship. Service must be provided by a Jenn-Air designated service company. This limited warranty applies only when the major appliance is used in the country in which it was purchased.

### ITEMS JENN-AIR WILL NOT PAY FOR

1. Service calls to correct the installation of your major appliance, to instruct you how to use your major appliance, to replace or repair house fuses or to correct house wiring or plumbing.
2. Service calls to repair or replace appliance light bulbs, air filters or water filters. Those consumable parts are excluded from warranty coverage.
3. Repairs when your major appliance is used for other than normal, single-family household use.
4. Damage resulting from accident, alteration, misuse, abuse, fire, flood, acts of God, improper installation, installation not in accordance with electrical or plumbing codes, or use of products not approved by Jenn-Air.
5. Any food loss due to refrigerator or freezer product failures.
6. Replacement parts or repair labor costs for units operated outside the United States or Canada.
7. Pickup and delivery. This major appliance is designed to be repaired in the home.
8. Repairs to parts or systems resulting from unauthorized modifications made to the appliance.
9. Expenses for travel and transportation for product service in remote locations.
10. The removal and reinstallation of your appliance if it is installed in an inaccessible location or is not installed in accordance with published installation instructions.
11. Replacement parts or repair labor costs when the major appliance is used in a country other than the country in which it was purchased.

### DISCLAIMER OF IMPLIED WARRANTIES; LIMITATION OF REMEDIES

CUSTOMER'S SOLE AND EXCLUSIVE REMEDY UNDER THIS LIMITED WARRANTY SHALL BE PRODUCT REPAIR AS PROVIDED HEREIN. IMPLIED WARRANTIES, INCLUDING WARRANTIES OF MERCHANTABILITY OR FITNESS FOR A PARTICULAR PURPOSE, ARE LIMITED TO ONE YEAR OR THE SHORTEST PERIOD ALLOWED BY LAW. MAYTAG SHALL NOT BE LIABLE FOR INCIDENTAL OR CONSEQUENTIAL DAMAGES. SOME STATES AND PROVINCES DO NOT ALLOW THE EXCLUSION OR LIMITATION OF INCIDENTAL OR CONSEQUENTIAL DAMAGES, OR LIMITATIONS ON THE DURATION OF IMPLIED WARRANTIES OF MERCHANTABILITY OR FITNESS, SO THESE EXCLUSIONS OR LIMITATIONS MAY NOT APPLY TO YOU. THIS WARRANTY GIVES YOU SPECIFIC LEGAL RIGHTS AND YOU MAY ALSO HAVE OTHER RIGHTS, WHICH VARY FROM STATE TO STATE OR PROVINCE TO PROVINCE.

Outside the 50 United States and Canada, this warranty does not apply. Contact your authorized Jenn-Air dealer to determine if another warranty applies.

If you need service, first see the "Troubleshooting" section of the Use & Care Guide. After checking "Troubleshooting," additional help can be found by checking the "Assistance or Service" section or by calling Jenn-Air. In the U.S.A., call **1-800-JENNAIR (1-800-536-6247)**. In Canada, call **1-800-807-6777**.

2/07

**Keep this book and your sales slip together for future reference. You must provide proof of purchase or installation date for in-warranty service.**

Write down the following information about your major appliance to better help you obtain assistance or service if you ever need it. You will need to know your complete model number and serial number. You can find this information on the model and serial number label located on the product.

Dealer name \_\_\_\_\_

Address \_\_\_\_\_

Phone number \_\_\_\_\_

Model number \_\_\_\_\_

Serial number \_\_\_\_\_

Purchase date \_\_\_\_\_

W10134195

© 2007  
All rights reserved.  
Tous droits réservés.

© Registered Trademark/™ Trademark of Jenn-Air U.S.A.  
Used under license in Canada.  
© Marque déposée/™ Marque de commerce de Jenn-Air U.S.A.  
Utilisé sous licence par Canada.

8/07  
Printed in U.S.A.  
Imprimé aux É.-U.

# JENN-AIR® 30" AND 36" (76.2 CM AND 91.4 CM) WALL-MOUNT CANOPY RANGE HOOD/ HOTTE DE CUISINIÈRE POUR MONTAGE MURAL 30" ET 36" (76,2 CM ET 91,4 CM)

---

## Installation Instructions and Use & Care Guide

For questions about features, operation/performance, parts, accessories, or service in the U.S.A., call:

**1-800-JENNAIR (1-800-536-6247)** or visit our website at [www.jennair.com](http://www.jennair.com).

In Canada, call: **1-800-807-6777**, or visit our website at [www.jennair.ca](http://www.jennair.ca).

---

## Instructions d'installation et Guide d'utilisation et d'entretien

Au Canada, pour assistance, installation ou service, composez le **1-800-807-6777** ou visitez notre site web à [www.jennair.ca](http://www.jennair.ca).

---

Table of Contents/Table des matières2

---

**IMPORTANT: READ AND SAVE THESE INSTRUCTIONS.  
FOR RESIDENTIAL USE ONLY.**

**IMPORTANT : LIRE ET CONSERVER CES INSTRUCTIONS.  
POUR UTILISATION RÉSIDENNELLE UNIQUEMENT.**



W10134195

## TABLE OF CONTENTS

<b>RANGE HOOD SAFETY</b> .....	2
<b>INSTALLATION REQUIREMENTS</b> .....	4
Tools and Parts .....	4
Location Requirements .....	4
Venting Requirements .....	5
Electrical Requirements .....	6
<b>INSTALLATION INSTRUCTIONS</b> .....	7
Prepare Location .....	7
Install Range Hood .....	8
Connect Vent System .....	8
Make Electrical Connection .....	9
Install Vent Covers .....	10
Install Filters .....	10
Complete Installation .....	10
<b>RANGE HOOD USE</b> .....	10
<b>RANGE HOOD CARE</b> .....	11
Cleaning .....	11
<b>WIRING DIAGRAM</b> .....	12
<b>ASSISTANCE OR SERVICE</b> .....	13
In the U.S.A. ....	13
Accessories List .....	13
In Canada .....	13
Accessories List .....	13
<b>WARRANTY</b> .....	14

## TABLE DES MATIÈRES

## RANGE HOOD SAFETY

### Your safety and the safety of others are very important.

We have provided many important safety messages in this manual and on your appliance. Always read and obey all safety messages.



This is the safety alert symbol.

This symbol alerts you to potential hazards that can kill or hurt you and others.

All safety messages will follow the safety alert symbol and either the word "DANGER" or "WARNING."

These words mean:

**⚠ DANGER**

You can be killed or seriously injured if you don't immediately follow instructions.

**⚠ WARNING**

You can be killed or seriously injured if you don't follow instructions.

All safety messages will tell you what the potential hazard is, tell you how to reduce the chance of injury, and tell you what can happen if the instructions are not followed.

# IMPORTANT SAFETY INSTRUCTIONS

**WARNING:** TO REDUCE THE RISK OF FIRE, ELECTRIC SHOCK, OR INJURY TO PERSONS, OBSERVE THE FOLLOWING:

- Use this unit only in the manner intended by the manufacturer. If you have questions, contact the manufacturer.
- Before servicing or cleaning the unit, switch power off at service panel and lock the service disconnecting means to prevent power from being switched on accidentally. When the service disconnecting means cannot be locked, securely fasten a prominent warning device, such as a tag, to the service panel.
- Installation work and electrical wiring must be done by qualified person(s) in accordance with all applicable codes and standards, including fire-rated construction.
- Sufficient air is needed for proper combustion and exhausting of gases through the flue (chimney) of fuel burning equipment to prevent backdrafting. Follow the heating equipment manufacturer's guideline and safety standards such as those published by the National Fire Protection Association (NFPA), the American Society for Heating, Refrigeration and Air Conditioning Engineers (ASHRAE), and the local code authorities.
- When cutting or drilling into wall or ceiling; do not damage electrical wiring and other utilities.
- Ducted fans must always be vented outdoors.

**CAUTION:** For general ventilating use only. Do not use to exhaust hazardous or explosive materials and vapors.

**CAUTION:** To reduce risk of fire and to properly exhaust air, be sure to duct air outside - do not vent exhaust air into spaces within walls or ceilings, attics or into crawl spaces, or garages.

**WARNING:** TO REDUCE THE RISK OF FIRE, USE ONLY METAL DUCTWORK.

**WARNING:** TO REDUCE THE RISK OF A RANGE TOP GREASE FIRE:

- Never leave surface units unattended at high settings. Boilovers cause smoking and greasy spillovers that may ignite. Heat oils slowly on low or medium settings.
- Always turn hood ON when cooking at high heat or when flambeing food (i.e. Crepes Suzette, Cherries Jubilee, Peppercorn Beef Flambé).
- Clean ventilating fans frequently. Grease should not be allowed to accumulate on fan or filter.
- Use proper pan size. Always use cookware appropriate for the size of the surface element.

**WARNING:** TO REDUCE THE RISK OF INJURY TO PERSONS IN THE EVENT OF A RANGE TOP GREASE FIRE, OBSERVE THE FOLLOWING:<sup>a</sup>

- **SMOTHER FLAMES** with a close fitting lid, cookie sheet, or metal tray, then turn off the burner. **BE CAREFUL TO PREVENT BURNS.** If the flames do not go out immediately, **EVACUATE AND CALL THE FIRE DEPARTMENT.**
- **NEVER PICK UP A FLAMING PAN** - you may be burned.
- **DO NOT USE WATER**, including wet dishcloths or towels - a violent steam explosion will result.
- Use an extinguisher **ONLY** if:
  - You know you have a class ABC extinguisher, and you already know how to operate it.
  - The fire is small and contained in the area where it started.
  - The fire department is being called.
  - You can fight the fire with your back to an exit.

<sup>a</sup>Based on "Kitchen Fire Safety Tips" published by NFPA.

- **WARNING:** To reduce the risk of fire or electrical shock, do not use this fan with any solid-state speed control device.

## SAVE THESE INSTRUCTIONS

# INSTALLATION REQUIREMENTS

## Tools and Parts

Gather the required tools and parts before starting installation. Read and follow the instructions provided with any tools listed here.

### Tools needed

- Level
- Drill with 1¼" (3 cm), ⅜" (9.5 mm), 7⁄64" (2.75 mm) and ⅛" (3 mm) drill bits
- Pencil
- Wire stripper or utility knife
- Tape measure or ruler
- Pliers
- Caulking gun and weatherproof caulking compound
- Vent clamps
- Jigsaw or keyhole saw
- Flat-blade screwdriver
- Metal snips
- Phillips screwdriver

### Parts needed

- Home power supply cable
- ½" (12.7 mm) UL listed or CSA approved strain relief
- 3 UL listed wire connectors

### For vented installations, you will also need:

- 1 wall or roof cap
- Metal vent system

### For non-vented (recirculating) installations, you will also need:

- Charcoal Filter Kit Part Number W10158163 for non-vented (recirculating) installations only. See "Assistance or Service" section to order.

### Parts supplied

Remove parts from packages. Check that all parts are included.

- Hood canopy assembly with ventilator and light bulbs installed
- Deflector for non-vented (recirculating) installations
- Vent transition with back draft dampers installed
- Filter(s) - depending on model and size
- 2 mounting hooks
- Vent cover support bracket (3 pieces)
- Mounting template
- 2-piece vent cover
- 2 - 2.9 x 6.5 mm screws
- 4 - 4 x 8 mm screws

- 8 - 3.5 x 9.5 mm screws
- 2 - 6 x 70 mm screws
- 6 - 5 x 35 mm mounting screws
- 2 - 10 x 70 mm drywall anchors
- Allen wrench for Torx®† head screws

## Location Requirements

**IMPORTANT:** Observe all governing codes and ordinances.

Have a qualified technician install the range hood. It is the installer's responsibility to comply with installation clearances specified on the model/serial rating plate. The model/serial rating plate is located behind the left filter on the rear wall of the vent hood.

Canopy hood location should be away from strong draft areas, such as windows, doors and strong heating vents.

Cabinet opening dimensions that are shown must be used. Given dimensions provide minimum clearance.

Grounded electrical outlet is required. See "Electrical Requirements" section.

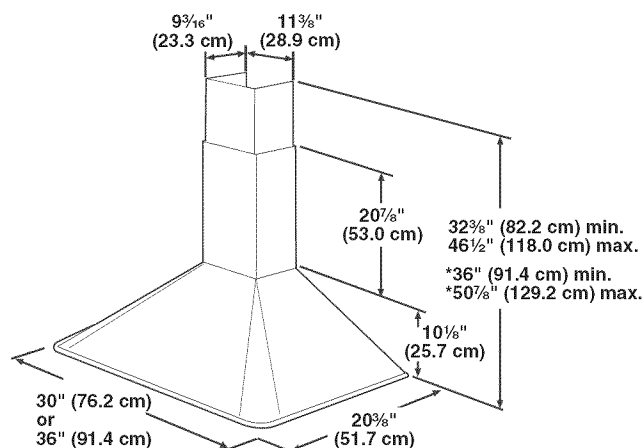
The canopy hood is factory set for venting through the roof or wall. For non-vented (recirculating) installation see "Non-vented (recirculating) Installations" in "Prepare Location" section. Charcoal Filter Kit Part Number W10158163 is available from your dealer or an authorized parts distributor.

All openings in ceiling and wall where canopy hood will be installed must be sealed.

### For Mobile Home Installations

The installation of this range hood must conform to the Manufactured Home Construction Safety Standards, Title 24 CFR, Part 328 (formerly the Federal Standard for Mobile Home Construction and Safety, Title 24, HUD, Part 280) or when such standard is not applicable, the standard for Manufactured Home Installation 1982 (Manufactured Home Sites, Communities and Setups) ANSI A225.1/NFPA 501A\*, or latest edition, or with local codes.

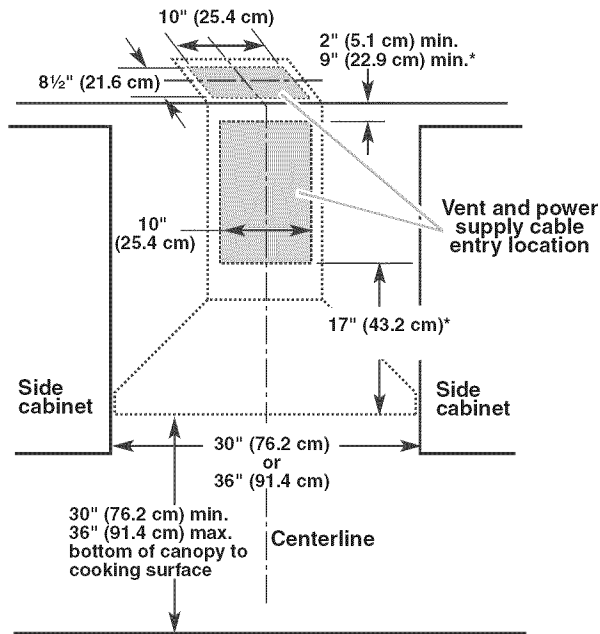
## Product Dimensions



\*For non-vented (recirculating) installations

†®TORX is a registered trademark of Textron Innovations Inc.

## Installation Dimensions



\*For non-vented (recirculating) installations

## Venting Requirements (vented models only)

- Vent system must terminate to the outdoors, except for non-vented (recirculating) installations.
- Do not terminate the vent system in an attic or other enclosed area.
- Do not use 4" (10.2 cm) laundry-type wall cap.
- Use metal vent only. Rigid metal vent is recommended. Plastic or metal foil vent is not recommended.
- The length of vent system and number of elbows should be kept to a minimum to provide efficient performance.

### For the most efficient and quiet operation:

- Use no more than three 90° elbows.
- Make sure there is a minimum of 24" (61 cm) of straight vent between the elbows if more than 1 elbow is used.
- Do not install 2 elbows together.
- Use clamps to seal all joints in the vent system.
- The vent system must have a damper. If the roof or wall cap has a damper, do not use the damper supplied with the range hood.
- Use caulking to seal exterior wall or roof opening around the cap.
- The size of the vent should be uniform.

## Cold weather installations

An additional back draft damper should be installed to minimize backward cold air flow and a thermal break should be installed to minimize conduction of outside temperatures as part of the vent system. The damper should be on the cold air side of the thermal break.

The break should be as close as possible to where the vent system enters the heated portion of the house.

## Makeup air

Local building codes may require the use of makeup air systems when using ventilation systems greater than specified CFM of air movement. The specified CFM varies from locale to locale. Consult your HVAC professional for specific requirements in your area.

## Venting Methods

This canopy hood is factory set for venting through the roof or wall.

A 8" (20.0 cm) round vent system is needed for installation (not included). The hood exhaust opening is 8" (20.0 cm) round.

**NOTE:** Flexible vent is not recommended. Flexible vent creates back pressure and air turbulence that greatly reduce performance.

Vent system can terminate either through the roof or wall. To vent through a wall, a 90° elbow is needed.

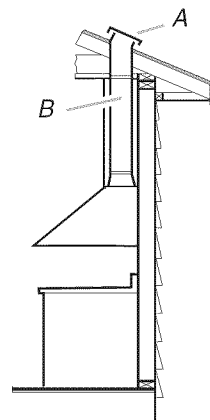
## Rear discharge

A 90° elbow may be installed immediately above the hood.

## For non-vented (recirculating) installations

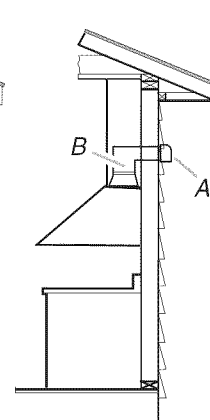
If it is not possible to vent cooking fumes and vapors to the outside, the hood can be used in the non-vented (recirculating) version, fitting an activated carbon filter and the deflector. Fumes and vapors are recycled through the top grille.

### Roof Venting



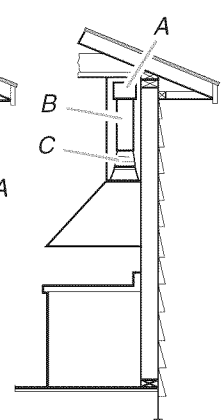
A. Roof cap  
B. 8" (20.0 cm)  
round vent

### Wall Venting



A. Wall cap  
B. 8" (20.0 cm)  
round vent


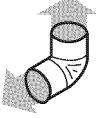
### Non-vented (recirculating)



A. Deflector  
B. 8" (20.0 cm)  
round vent  
C. Vent transition  
adapter

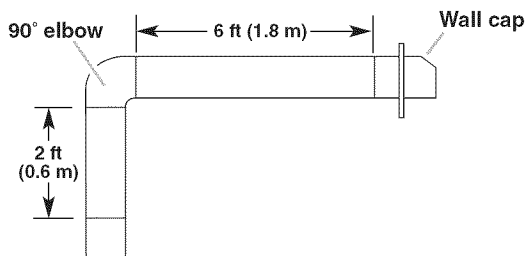
## Calculating Vent System Length

To calculate the length of the system you need, add the equivalent feet (meters) for each vent piece used in the system.

Vent Piece	8" (20.0 cm) Round	
45° elbow	2.5 ft (0.8 m)	
90° elbow	5.0 ft (1.5 m)	

Maximum equivalent vent length is 35 ft (10.7 m).

### Example vent system



The following example falls within the maximum recommended vent length of 35 ft (10.7 m).

1 - 90° elbow	= 5.0 ft (1.5 m)
1 - wall cap	= 0.0 ft (0.0 m)
8 ft (2.4 m) straight	= 8.0 ft (2.4 m)
<b>Length of system</b>	<b>= 13.0 ft (3.9 m)</b>

## Electrical Requirements

Observe all governing codes and ordinances.

Ensure that the electrical installation is adequate and in conformance with National Electrical Code, ANSI/NFPA 70 (latest edition), or CSA Standards C22.1-94, Canadian Electrical Code, Part 1 and C22.2 No. 0-M91 (latest edition) and all local codes and ordinances.

If codes permit and a separate ground wire is used, it is recommended that a qualified electrician determine that the ground path is adequate.

A copy of the above code standards can be obtained from:

National Fire Protection Association  
 One Batterymarch Park  
 Quincy, MA 02269  
 CSA International  
 8501 East Pleasant Valley Road  
 Cleveland, OH 44131-5575

- A 120 Volt, 60 Hz., AC only, 15-amp, fused electrical circuit is required.
- If the house has aluminum wiring follow the procedure below:
  1. Connect a section of solid copper wire to the pigtail leads.
  2. Connect the aluminum wiring to the added section of copper wire using special connectors and/or tools designed and UL listed for joining copper to aluminum.
 Follow the electrical connector manufacturer's recommended procedure. Aluminum/copper connection must conform with local codes and industry accepted wiring practices.
- Wire sizes and connections must conform with the rating of the appliance as specified on the model/serial rating plate. The model/serial plate is located behind the filter on the rear wall of the hood.
- Wire sizes must conform to the requirements of the National Electrical Code, ANSI/NFPA 70 (latest edition), or CSA Standards C22.1-94, Canadian Electrical Code, Part 1 and C22.2 No. 0-M91 (latest edition) and all local codes and ordinances.

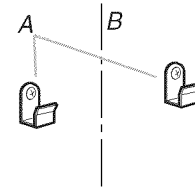


# INSTALLATION INSTRUCTIONS

## Prepare Location

- It is recommended that the vent system be installed before hood is installed.
  - Before making cutouts, make sure there is proper clearance within the ceiling or wall for exhaust vent.
  - Check your ceiling height and the hood height maximum before you select your hood.
1. Disconnect pwr
  2. Determine which venting method to use: roof, wall, or non-vented.
  3. Select a flat surface for assembling the range hood. Place covering over that surface.

8. Mark centers of the 6 fastener locations through the template to the wall.  
**IMPORTANT:** All screws must be installed into wood.  
Remove the template.
9. Drill  $\frac{7}{64}$ " (2.75 mm) pilot holes at all locations where screws are being installed into wood.
10. Attach two mounting hooks to the wall at location marked on the template.



A. Mounting hooks  
B. Centerline on wall

## **⚠ WARNING**

### Excessive Weight Hazard

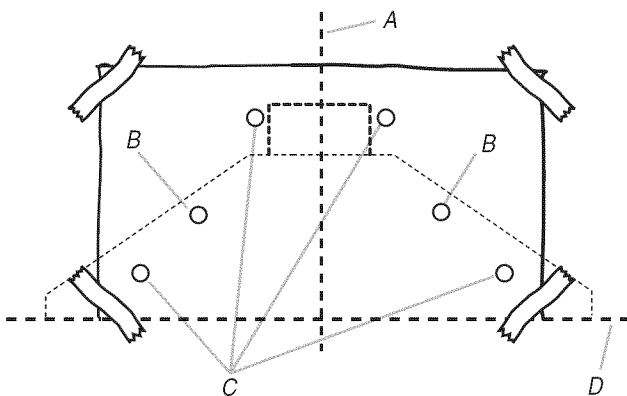
Use two or more people to move and install range hood.

Failure to do so can result in back or other injury.

4. Using 2 or more people, lift range hood onto covered surface.

## Range Hood Mounting Screws Installation

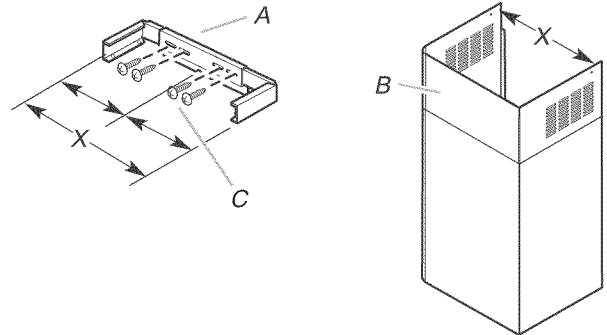
5. Determine and mark the centerline on the wall where the canopy hood will be installed.
6. Select a mounting height between a minimum of 30" (76.2 cm) and a suggested maximum of 36" (91.4 cm), above the range to the bottom of the hood and mark reference line on the wall.
7. Tape template in place, aligning the template centerline and bottom of template with hood bottom line and with the centerline marked on the wall.



A. Centerline  
B. Mounting hook location  
C. Fastener locations  
D. Mounting height reference

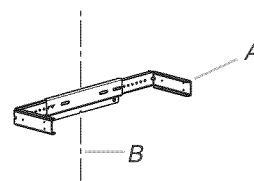
## Vent Cover Bracket Assembly and Installation

1. Assemble the 3 pieces of the vent cover bracket using 4 - 4 x 8 mm screws provided. The assembled bracket should be sized to fit inside the upper vent cover.



A. Vent cover bracket assembly  
B. Upper vent cover  
C. 4 x 8 mm screws

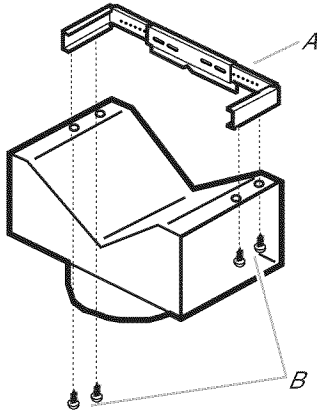
2. Install vent cover bracket to wall about  $\frac{1}{8}$ " (3.0 mm) away from the ceiling. Use 2 - 6 x 70 mm screws with 10 x 70 mm drywall anchors supplied.



A. Vent cover bracket  
B. Centerline on wall

## Non-Vented (recirculating) Installations

1. Connect the deflector to the vent cover bracket using 4 - 3.5 x 9.5 sheet metal screws provided.



A. Vent cover bracket  
B. 3.5 x 9.5 mm sheet metal screws

## Complete Preparation

1. Determine and make all necessary cuts in the wall for the vent system. Install the vent system before installing the hood. See "Venting Requirements" section.
2. Determine the required height for the home power supply cable and drill a 1 1/4" (3.2 cm) hole at this location.
3. Run wire through the home power supply cable according to the National Electrical Code or CSA Standards and local codes and ordinances. There must be enough 1/2" conduit and wires from the fused disconnect (or circuit breaker) box to make the connection in the hood's electrical terminal box.  
**NOTE:** Do not reconnect power until installation is complete.
4. Use caulk to seal all openings.

## Install Range Hood

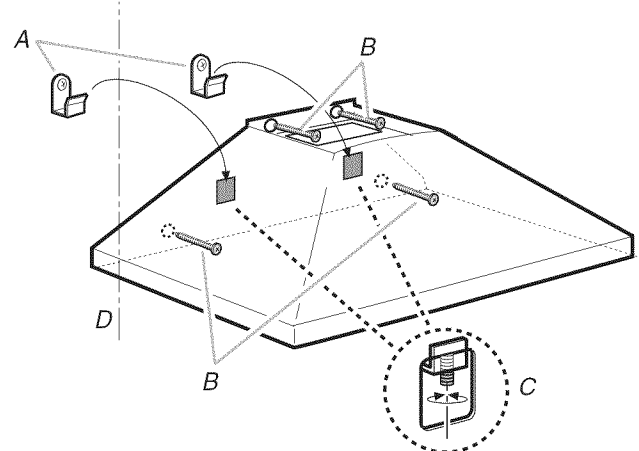
### ⚠ WARNING

#### Excessive Weight Hazard

Use two or more people to move and install range hood.

Failure to do so can result in back or other injury.

1. Using 2 or more people, hang range hood on 2 mounting hooks through the rectangular cutouts on back of hood.

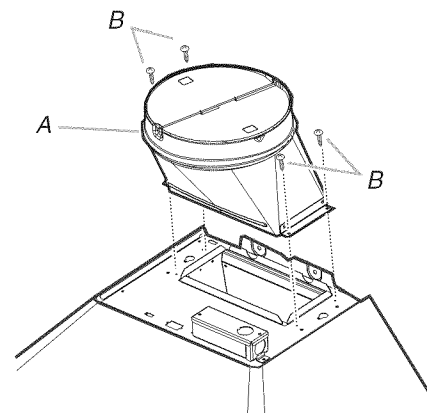


A. Mounting hooks  
B. 5 x 35 mm mounting screws  
C. Leveling screws  
D. Centerline on wall

2. Level the hood with leveling screws in mounting hooks or rectangular cutouts, using a level across bottom of hood.
3. Secure hood with 4 screws through remaining 4 holes in hood.

## Connect Vent System

1. Install transition on top of range hood (if removed for shipping) with 4 - 3.5 x 9.5 mm sheet metal screws.



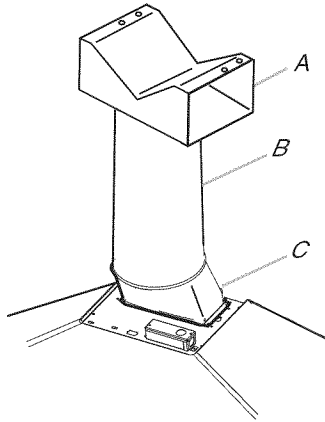
A. Vent transition  
B. 3.5 x 9.5 mm screw

**For Vented Installations Only:**

1. Fit vent system over transition piece.
2. Seal connection with clamps.
3. Check that backdraft dampers work properly.

**For Non-vented (recirculating) Installation Only:**

1. Fit vent system over deflector and transition piece.




A. Deflector  
B. Vent system  
C. Vent transition

2. Seal connection with clamps.
3. Check that backdraft dampers work properly.

**Make Electrical Connection**

**⚠ WARNING**



**Electrical Shock Hazard**

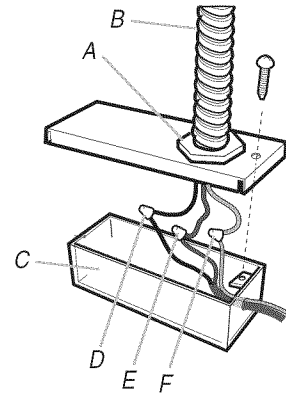
**Disconnect power before servicing.**

**Replace all parts and panels before operating.**

**Failure to do so can result in death or electrical shock.**

1. Disconnect power.
2. Remove terminal box cover.
3. Remove the knockout in the terminal box cover and install a UL listed or CSA approved 1/2" strain relief.


4. Run 3 wires, black, white and green (14AWG), in 1/2" conduit from service panel to terminal box. Use caulking to seal opening.



A. UL listed or CSA approved strain relief  
B. Home power supply cable  
C. Terminal box  
D. Black wires  
E. Green (or bare) wire connected to yellow-green wire  
F. White wires

5. Use UL listed wire connectors and connect black wires (D) together.
6. Use UL listed wire connectors and connect white wires (F) together.

**⚠ WARNING**



**Electrical Shock Hazard**

**Electrically ground blower.**

**Connect ground wire to green and yellow ground wire in terminal box.**

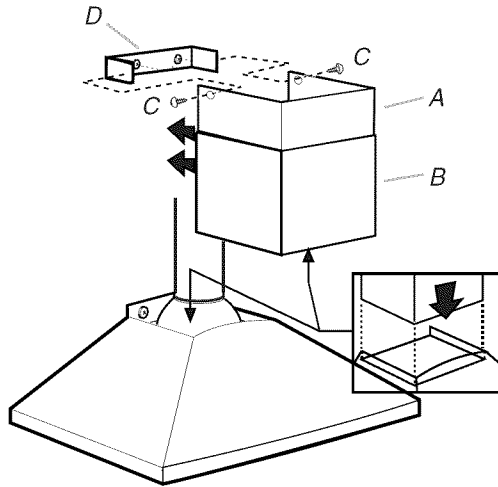
**Failure to do so can result in death or electrical shock.**

7. Connect green (or bare) ground wire from home power supply to yellow-green ground wire (E) in terminal box using UL listed wire connectors.
8. Tighten strain relief screw.
9. Install terminal box cover.
10. Check all light bulbs to make sure they are secure in their sockets.
11. Reconnect power.

## Install Vent Covers

When using both upper and lower vent covers, push lower cover down onto hood and lift upper cover to ceiling and install with two 2.9 x 6.5 mm screws.

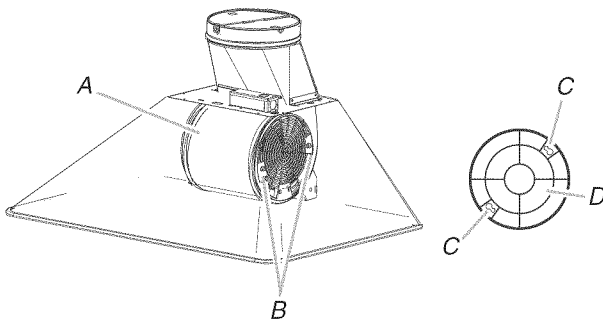
**NOTE:** Upper vent cover may be reversed to hide slots.



A. Upper vent cover  
B. Lower vent cover  
C. 2.9 x 6.5 mm screws  
D. Bracket

## Install Filters

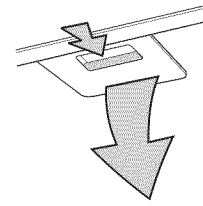
1. For non-vented (recirculating installations, install charcoal filter over grille on blower housing (2 charcoal filters necessary).
2. Align pins B with slots C on filter.
3. Turn filter clockwise until it locks in place or turn the central handle clockwise.
4. Repeat with other charcoal filter.



A. Blower housing  
B. Alignment pins  
C. Alignment slots  
D. Charcoal filter

5. For all installations, insert back edge of metal filter into rear channel of the filter opening.
6. Push handle toward the rear and push filter up.

7. Pull filter toward the front and insert into front channel.



## Complete Installation

### Check Range Hood Operation

1. Move the light switch to "1" position. The light should turn on.
2. Move blower switch to "1" position. The blower should operate.
3. Move the blower speed switch to "1" position for low speed, "2" position for medium speed or "3" position for high speed.
4. Move blower and light switches to "0" position to turn off blower and light.
5. If range hood does not operate, check to see whether a circuit breaker has tripped or a household fuse has blown.

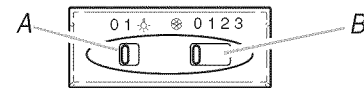
**NOTE:** To get the most efficient use from your new range hood, read the "Range Hood Use" section.

## RANGE HOOD USE

The range hood is designed to remove smoke, cooking vapors and odors from the cooktop area. For best results, start the hood before cooking and allow it to operate several minutes after the cooking is complete to clear all smoke and odors from the kitchen.

### Control Panel

The range hood controls are located on the front side of the canopy.



A. Light switch  
B. Blower switch

### Operating the Light

1. Move the light switch to the "1" position to turn on the light.
2. Move the light switch to the "0" position to turn off the light.

### Operating the Blower and Adjusting Blower Speed

1. Move the blower switch to the "1" position for low speed, the "2" position for medium speed or the "3" position for high speed.
2. Move the blower switch to the "0" position to turn off the blower.

# RANGE HOOD CARE

## Cleaning

**IMPORTANT:** Clean the hood and grease filters frequently according to the following instructions. Replace grease filters before operating hood.

Be sure lights are cool before cleaning the hood.

### Exterior Surfaces

Clean the range hood with a mild detergent and soft cloth. Do not use abrasive cleanser or steel-wool pads.

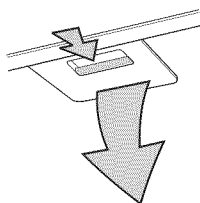
### Metal Grease Filters

The filters should be washed frequently. Place metal filters in dishwasher or hot detergent solution to clean.

Drain water through edge holes and let each filter dry thoroughly before replacing it.

### To Remove Metal Grease Filters

1. Turn off fan and lights. Check that halogen lamp is cool.
2. Push handle toward the rear and pull downward.
3. Pull filter toward the front.



### To Replace Metal Grease Filter

1. Insert back edge of filter into rear channel of the filter opening.
2. Push handle toward the rear and push filter up.
3. Pull filter toward the front and insert into front channel.

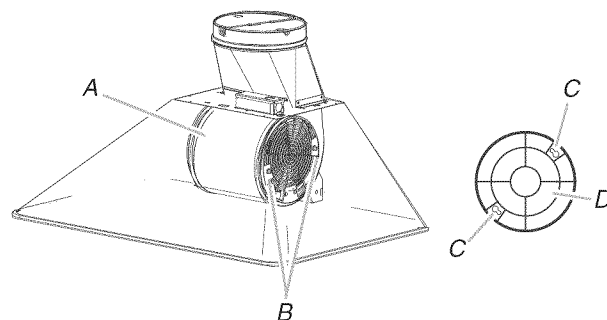
### Charcoal Filters - For Non-Vented (recirculating) Installations

The charcoal filters are not washable nor reusable. They should be changed every 6 months in normal use or more frequently in heavy use.

The charcoal filters capture unpleasant cooking odors.

### To Install Charcoal Filters

1. Turn fan and lights off. Check that halogen lamp is cool.
2. Remove the metal grease filters. See "Metal Grease Filters" section.
3. Set metal grease filter aside.
4. Repeat to remove other metal grease filter.
5. Install charcoal filter over grille on blower housing by aligning the pins B with the slots C and turning the filter clockwise until it locks in place or turn the central handle clockwise.



A. Blower housing  
B. Alignment pins  
C. Alignment slots  
D. Charcoal filter

6. Repeat to install other charcoal filter.
7. Replace metal grease filters. See "Metal Grease Filters" section.

### To Replace Charcoal Filters

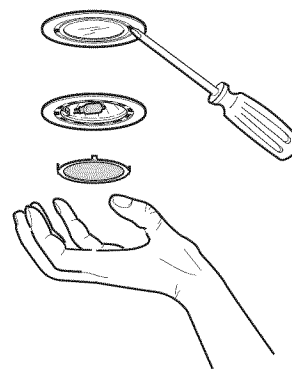
1. Turn fan and lights off. Check that halogen lamp is cool.
2. Remove the metal grease filters. See "Metal Grease Filters" section.
3. Turn charcoal filter counterclockwise.
4. Remove and discard both charcoal filters.
5. Install replacement charcoal filter over grille on blower housing by aligning the pins B with the slots C and turning the filter clockwise until it locks in place or turn the central handle clockwise.
6. Replace metal grease filters. See "Metal Grease Filters" section.

### Replacing a Halogen Lamp

Turn off the range hood and allow the halogen lamp to cool. Replace using a tissue.

If new lights do not operate, make sure the lamps are inserted correctly before calling service.

1. Disconnect power.
2. Use a flat-blade screwdriver and gently pry the light cover loose.



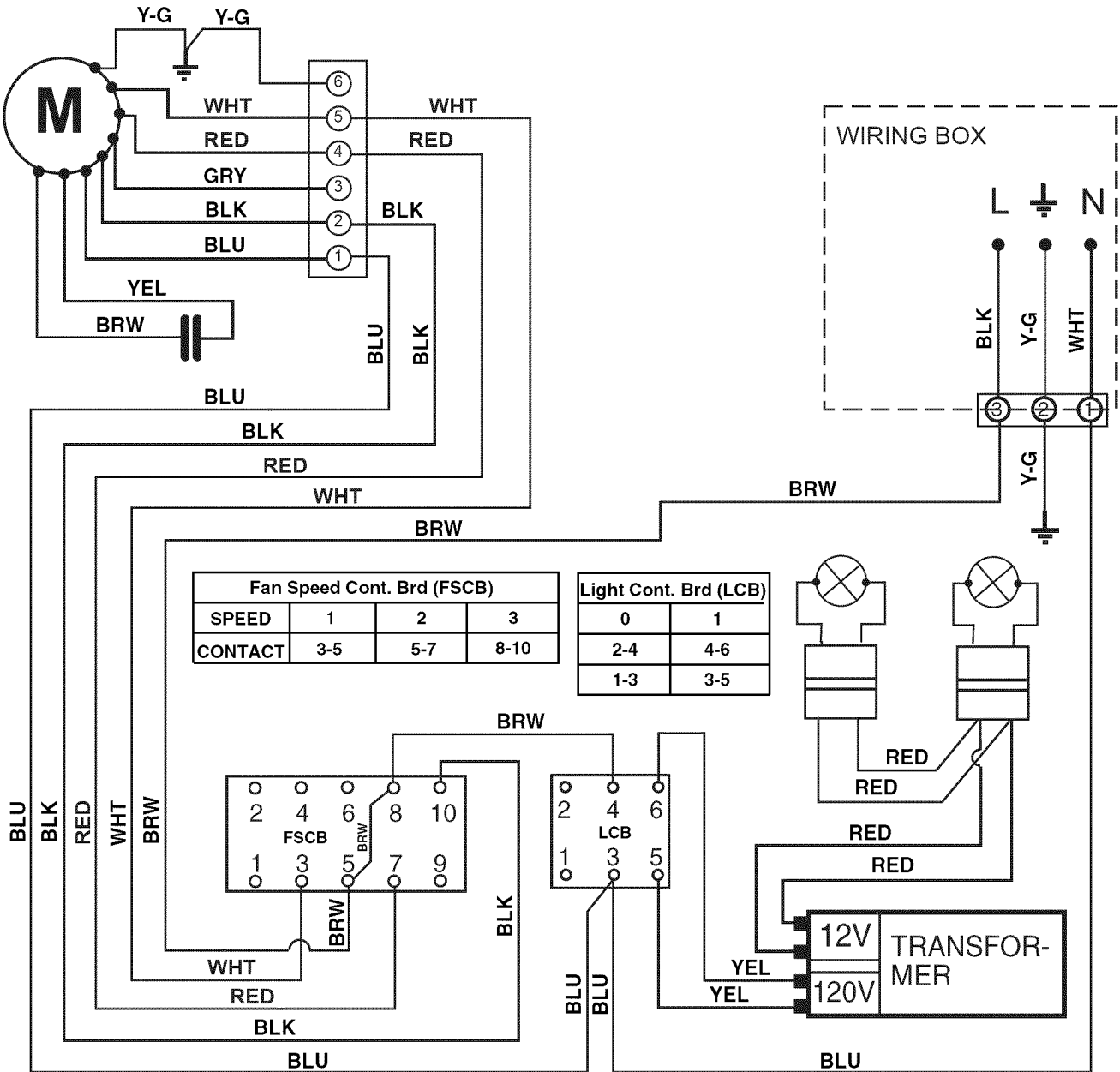
3. Remove the lamp and replace with a 12-volt, 20-watt maximum, halogen lamp made for a G-4 base.
4. Replace the light cover.

# WIRING DIAGRAM

SE1Q7A

MOTOR SPEED	CONNECTIONS TO TERMINALS
1	BLUE - WHITE
2	BLUE - RED
3	BLUE - BLACK

COLOR TABLE		COLOR TABLE	
BLK	BLACK	RED	RED
BLU	BLUE	WHT	WHITE
BRW	BROWN	YEL	YELLOW
GRN	GREEN	Y-G	YELLOW/GREEN
GRY	GREY		



---

# ASSISTANCE OR SERVICE

---

Before calling for assistance or service, please check “Troubleshooting.” It may save you the cost of a service call. If you still need help, follow the instructions below.

When calling, please know the purchase date and the complete model and serial number of your appliance. This information will help us to better respond to your request.

---

## In the U.S.A.

### If the problem is not due to one of the items listed in the “Troubleshooting” section...

Call the dealer from whom your appliance was purchased, or call Jenn-Air at **1-800-JENNAIR (1-800-536-6247)** to locate an authorized service company. When calling, please know the purchase date and the complete model and serial number of your appliance. Be sure to retain proof of purchase to verify warranty status.

If the dealer or service company cannot resolve your problem, write to:

**Jenn-Air Brand Home Appliances  
Customer eXperience Center  
553 Benson Road  
Benton Harbor, MI 49022-2692  
Web address: [www.jennair.com](http://www.jennair.com)**

Or call: **1-800-JENNAIR (1-800-536-6247)**.

U.S. customers using TTY for deaf, hearing impaired or speech impaired, call: **1-800-688-2080** (Monday - Friday, 8:00 a.m. - 8:00 p.m. Eastern Time).

**NOTE:** When writing or calling about a service problem, please include the following information:

1. Your name, address and daytime telephone number.
2. Appliance model number and serial number.
3. Name and address of your dealer or servicer.
4. A clear description of the problem you are having.
5. Proof of purchase (sales receipt).

User's guides, service manuals and parts information are available from Jenn-Air Brand Home Appliances, Customer eXperience Center.

---

## Accessories List

### Charcoal Filter Kit

(for non-vented installations only)

Order Part Number W10158163

---

## In Canada

### If the problem is not due to one of the items listed in the “Troubleshooting” section...

Call the dealer from whom your appliance was purchased, or call Jenn-Air at **1-800-807-6777** to locate an authorized service company. When calling, please know the purchase date and the complete model and serial number of your appliance. Be sure to retain proof of purchase to verify warranty status.

If the dealer or service company cannot resolve your problem, write to:

**Jenn-Air Brand Home Appliances  
Customer Interaction Centre  
1901 Minnesota Court  
Mississauga, ON L5N 3A7  
Web address: [www.jennair.ca](http://www.jennair.ca)**

Or call: **1-800-807-6777**.

**NOTE:** When writing or calling about a service problem, please include the following information:

1. Your name, address and daytime telephone number.
2. Appliance model number and serial number.
3. Name and address of your dealer or servicer.
4. A clear description of the problem you are having.
5. Proof of purchase (sales receipt).

User's guides, service manuals and parts information are available from Jenn-Air Brand Home Appliances, Customer Interaction Centre.

---

## Accessories List

### Charcoal Filter Kit

(for non-vented installations only)

Order Part Number W10158163

# JENN-AIR® MAJOR APPLIANCE WARRANTY

## ONE YEAR LIMITED WARRANTY

For one year from the date of purchase, when this major appliance is operated and maintained according to instructions attached to or furnished with the product, Jenn-Air brand of Maytag Corporation or Maytag Limited (hereafter "Jenn-Air") will pay for factory specified replacement parts and repair labor to correct defects in materials or workmanship. Service must be provided by a Jenn-Air designated service company. This limited warranty applies only when the major appliance is used in the country in which it was purchased.

### ITEMS JENN-AIR WILL NOT PAY FOR

1. Service calls to correct the installation of your major appliance, to instruct you how to use your major appliance, to replace or repair house fuses or to correct house wiring or plumbing.
2. Service calls to repair or replace appliance light bulbs, air filters or water filters. Those consumable parts are excluded from warranty coverage.
3. Repairs when your major appliance is used for other than normal, single-family household use.
4. Damage resulting from accident, alteration, misuse, abuse, fire, flood, acts of God, improper installation, installation not in accordance with electrical or plumbing codes, or use of products not approved by Jenn-Air.
5. Any food loss due to refrigerator or freezer product failures.
6. Replacement parts or repair labor costs for units operated outside the United States or Canada.
7. Pickup and delivery. This major appliance is designed to be repaired in the home.
8. Repairs to parts or systems resulting from unauthorized modifications made to the appliance.
9. Expenses for travel and transportation for product service in remote locations.
10. The removal and reinstallation of your appliance if it is installed in an inaccessible location or is not installed in accordance with published installation instructions.
11. Replacement parts or repair labor costs when the major appliance is used in a country other than the country in which it was purchased.

### DISCLAIMER OF IMPLIED WARRANTIES; LIMITATION OF REMEDIES

CUSTOMER'S SOLE AND EXCLUSIVE REMEDY UNDER THIS LIMITED WARRANTY SHALL BE PRODUCT REPAIR AS PROVIDED HEREIN. IMPLIED WARRANTIES, INCLUDING WARRANTIES OF MERCHANTABILITY OR FITNESS FOR A PARTICULAR PURPOSE, ARE LIMITED TO ONE YEAR OR THE SHORTEST PERIOD ALLOWED BY LAW. MAYTAG SHALL NOT BE LIABLE FOR INCIDENTAL OR CONSEQUENTIAL DAMAGES. SOME STATES AND PROVINCES DO NOT ALLOW THE EXCLUSION OR LIMITATION OF INCIDENTAL OR CONSEQUENTIAL DAMAGES, OR LIMITATIONS ON THE DURATION OF IMPLIED WARRANTIES OF MERCHANTABILITY OR FITNESS, SO THESE EXCLUSIONS OR LIMITATIONS MAY NOT APPLY TO YOU. THIS WARRANTY GIVES YOU SPECIFIC LEGAL RIGHTS AND YOU MAY ALSO HAVE OTHER RIGHTS, WHICH VARY FROM STATE TO STATE OR PROVINCE TO PROVINCE.

Outside the 50 United States and Canada, this warranty does not apply. Contact your authorized Jenn-Air dealer to determine if another warranty applies.

If you need service, first see the "Troubleshooting" section of the Use & Care Guide. After checking "Troubleshooting," additional help can be found by checking the "Assistance or Service" section or by calling Jenn-Air. In the U.S.A., call **1-800-JENNAIR (1-800-536-6247)**. In Canada, call **1-800-807-6777**.

2/07

**Keep this book and your sales slip together for future reference. You must provide proof of purchase or installation date for in-warranty service.**

Write down the following information about your major appliance to better help you obtain assistance or service if you ever need it. You will need to know your complete model number and serial number. You can find this information on the model and serial number label located on the product.

Dealer name \_\_\_\_\_

Address \_\_\_\_\_

Phone number \_\_\_\_\_

Model number \_\_\_\_\_

Serial number \_\_\_\_\_

Purchase date \_\_\_\_\_

W10134195

© 2007  
All rights reserved.  
Tous droits réservés.

© Registered Trademark™ Trademark of Jenn-Air U.S.A.  
Used under license in Canada.  
© Marque déposée™ Marque de commerce de Jenn-Air U.S.A.  
Utilisé sous licence par Canada.

8/07  
Printed in U.S.A.  
Imprimé aux É.-U.