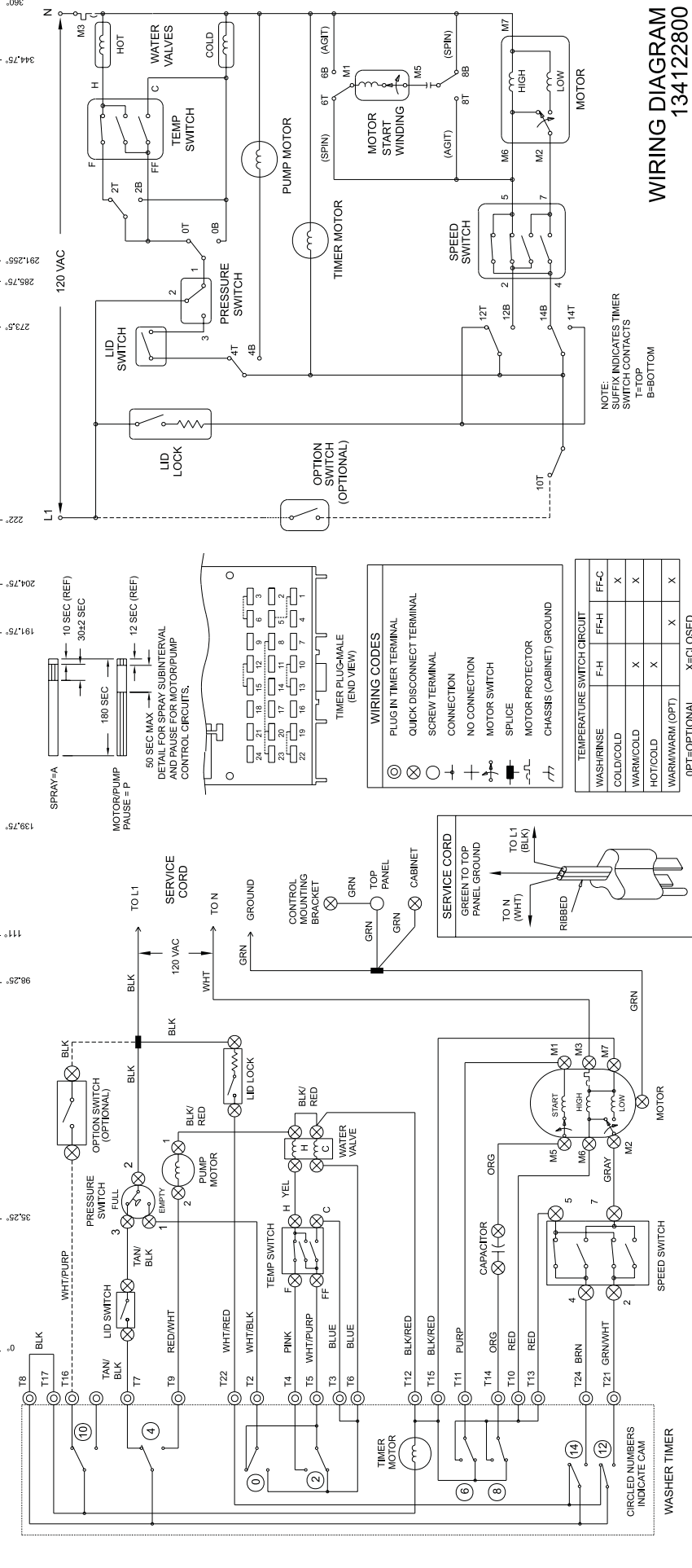
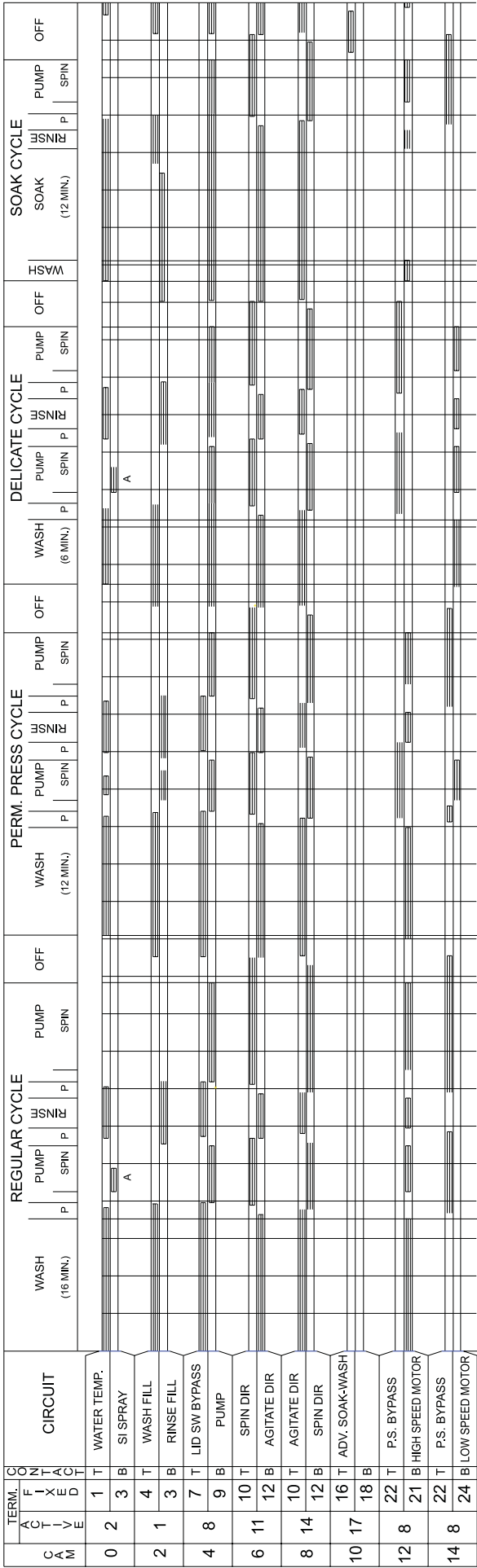


**CAUTION: DISCONNECT ELECTRIC CURRENT BEFORE SERVICING**

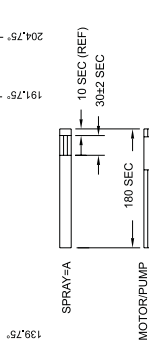


TEMPERATURE SWITCH CIRCUIT			
	F-H	FF-H	FF-C
WASH/RINSE			X
COLD/COLD			X
WARM/COLD	X		X
HOT/COLD			X
WARM/WARM (OPT)		X	X

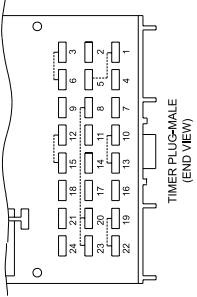
OPT=OPTIONAL X=CLOSED

NOTE:  
SUFFIX INDICATES TIMER SWITCH CONTACTS  
T=TOP  
B=BOTTOM

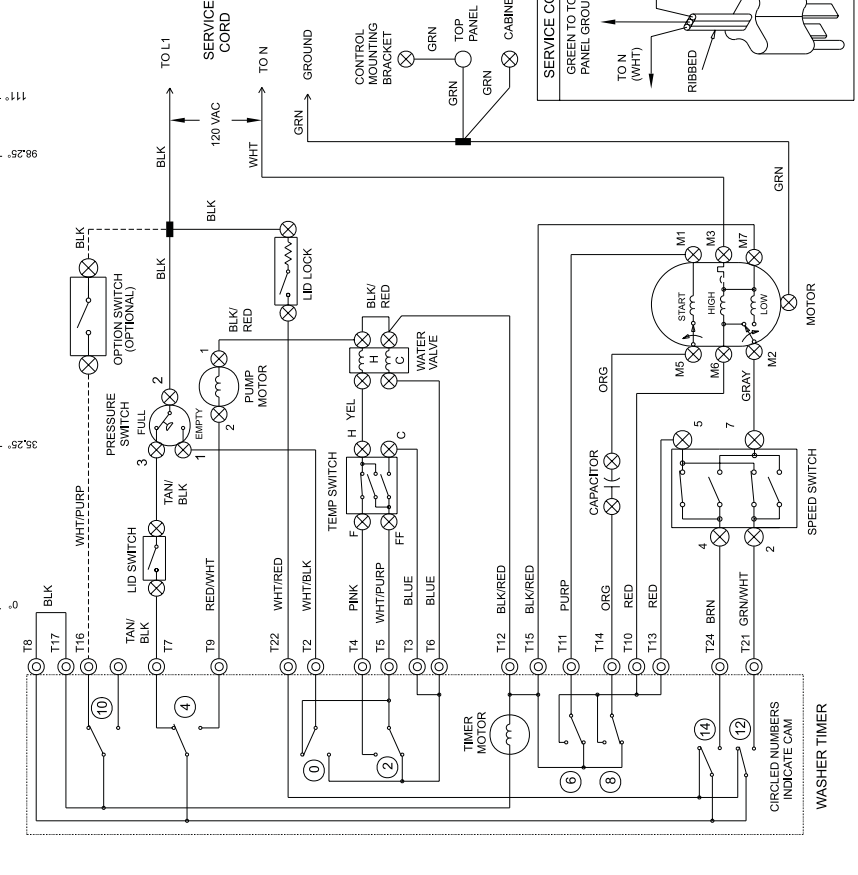
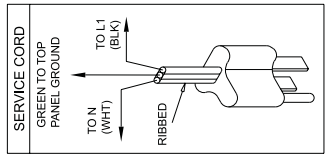
**WIRING DIAGRAM  
134122800**



50 SEC MAX  
DETAIL FOR SPRAY SUBINTERVAL  
AND PAUSE FOR MOTOR/PUMP  
CONTROL CIRCUITS.



- WIRING CODES**
- ⊙ PLUG IN TIMER TERMINAL
  - ⊗ QUICK DISCONNECT TERMINAL
  - ⊕ SCREW TERMINAL
  - ⊖ CONNECTION
  - ⊙ NO CONNECTION
  - ⊕ MOTOR SWITCH
  - ⊖ SPLICE
  - ⊕ MOTOR PROTECTOR
  - ⊖ CHASSIS (CABINET) GROUND



CIRCLED NUMBERS INDICATE CAM WASHER TIMER