

Frigidaire

Factory Parts Catalog

Product No.	GLBM188HBA	GLBM188HSA	PLBMV188HCA
Market	North America	North America	North America
Color	black	white	stainless steel
Volts	120	120	120
Watts	1000	1000	1000
Wiring Diagram	5995523734	5995523734	5995523734
Owner's Guide	TINSEB168WRRZ	TINSEB168WRRZ	TINSEB168WRRZ
Installation Instructions	TINSEB179WRRZ	TINSEB179WRRZ	TINSEB179WRRZ



Electrolux Major Appliances
 North & Latin America
 P.O. BOX 212378
 AUGUSTA, GA 30917

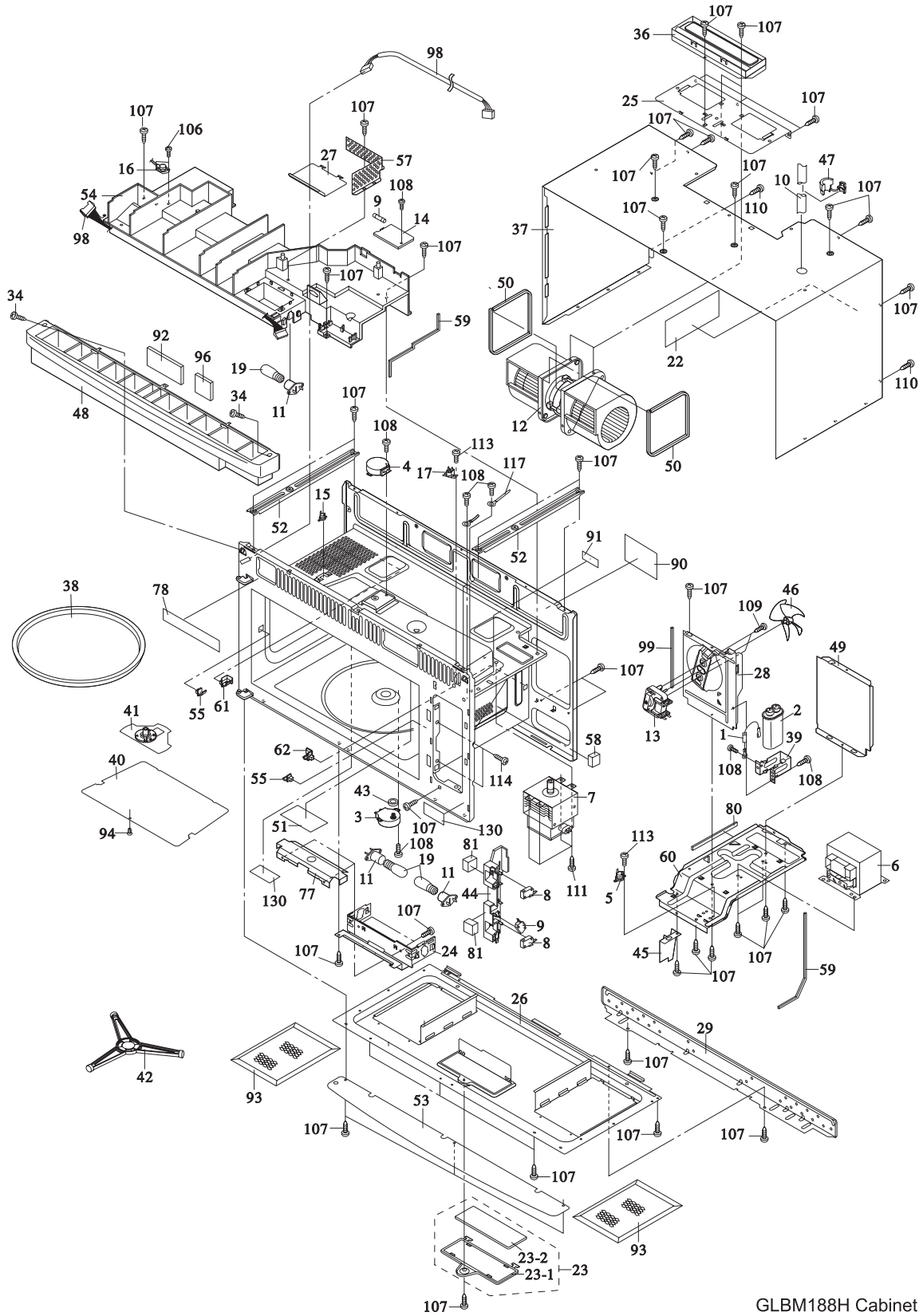
Publication No.
5995523734
 08/09/10
 (EN/SERVICE/KC)
 099

**OVER-RANGE
 MICROWAVE**

Model No.
 GLBM188H /
 PLBMV188H

Copyright © 2008 Electrolux Home Products, Inc.
 All rights reserved.

OVEN, CABINET



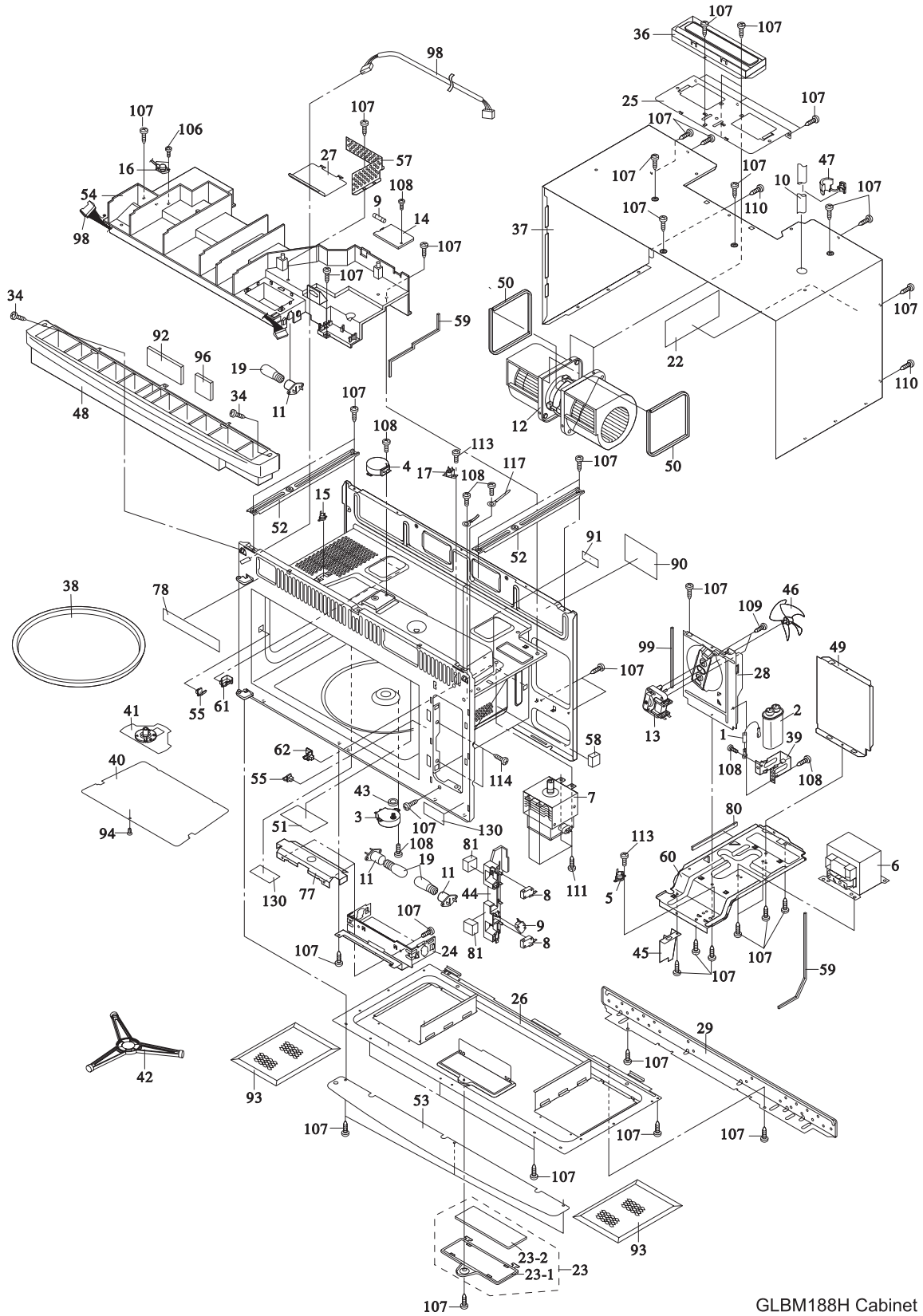
GLBM188H Cabinet

OVEN,CABINET

Model Index: A GLBM188H (GLBM188HBA)
 B GLBM188H (GLBM188HSA)
 C PLBMV188H (PLBMV188HCA)

POS. NO	PART NO.		DESCRIPTION
1 #	5304467670	A B C	Rectifier, high voltage
2 #	5304467671	A B C	Capacitor, high voltage
3 #	5304467690	A B C	Motor, turntable
4 #	5304467691	A B C	Motor, stirrer fan
5 #	5304440023	A B C	Thermal Cutout, hood
6 #	5304467692	A B C	Transformer, power
7 #	5304467693	A B C	Magnetron
8 #	5304467694	A B C	Switch, interlock, primary/door
9 #	5304467695	A B C	Switch, monitor, w/ceramic fuse
10 #	5304440028	A B C	Power Cord, electric
11 #	5304463785	A B C	Lampholder, socket
12 #	5304467696	A B C	Motor, hood fan
13 #	5304467697	A B C	Motor, cooling fan
14 #	5304467698	A B C	Filter, noise, electronic
15 #	5304440032	A B C	Thermal Cutout, oven cavity
16 #	5304463786	A B C	Sensor, humidity, cook control
17 #	5303319550	A B C	Fuse, magnetron
19	5304440031	A B C	Lamp, incandescent, 20 W, (3)
22	5304468908	A B C	Wiring Diagram, schematic, label
23	5303319573	A B C	Lens/Frame Assy, lamp
23-1	5303319574	A B C	Frame, lens holder
23-2	5303319575	A B C	Lens, cooktop lamp, glass
24	5304468909	A B C	Bracket, lamp housing
25	5304467704	A B C	Plate, rear stay
26	5304468910	A B C	Cover, unit base
27	5304468911	A B C	Cover, lamp, oven cavity
28	5304467708	A B C	Duct, cooling fan
29	5304467709	A B C	Bracket, unit mtg plate, rear
34	5304467710	A B C	Screw, 3 mm x 8 mm
36	5304464343	A B C	Damper Assembly, exhaust
37	5304467712	A - C	Cabinet, outer casing, black
37	5304467713	- B -	Cabinet, outer casing, white
38	5304441872	A B C	Tray, turntable, glass
39	5304468912	A B C	Retainer, capacitor strap
40	5304467715	A B C	Cover, stirrer fan
41 #	5304467716	A B C	Stirrer Assembly
42	5304467717	A B C	Support Assy, turntable, roller
43	5304467718	A B C	Bushing, motor shaft, turntable
44	5304440289	A B C	Latch Hook
45	5304467719	A B C	Cover, wiring harness
46 #	5304467720	A B C	Fan Blade, mag cooling fan
47	5304467721	A B C	Bushing, grommet, power cord
48 #	5304468915	A - -	Louver Assembly, hood, black
48 #	5304468914	- B -	Louver Assembly, hood, white
48 #	5304468913	- - C	Louver Assembly, hood, stainless
49	5304467725	A B C	Duct, hood intake, right side
50	5304467726	A B C	Gasket, hood fan motor, cushion
51	5304467727	A B C	Lens, lamp filter

OVEN, CABINET



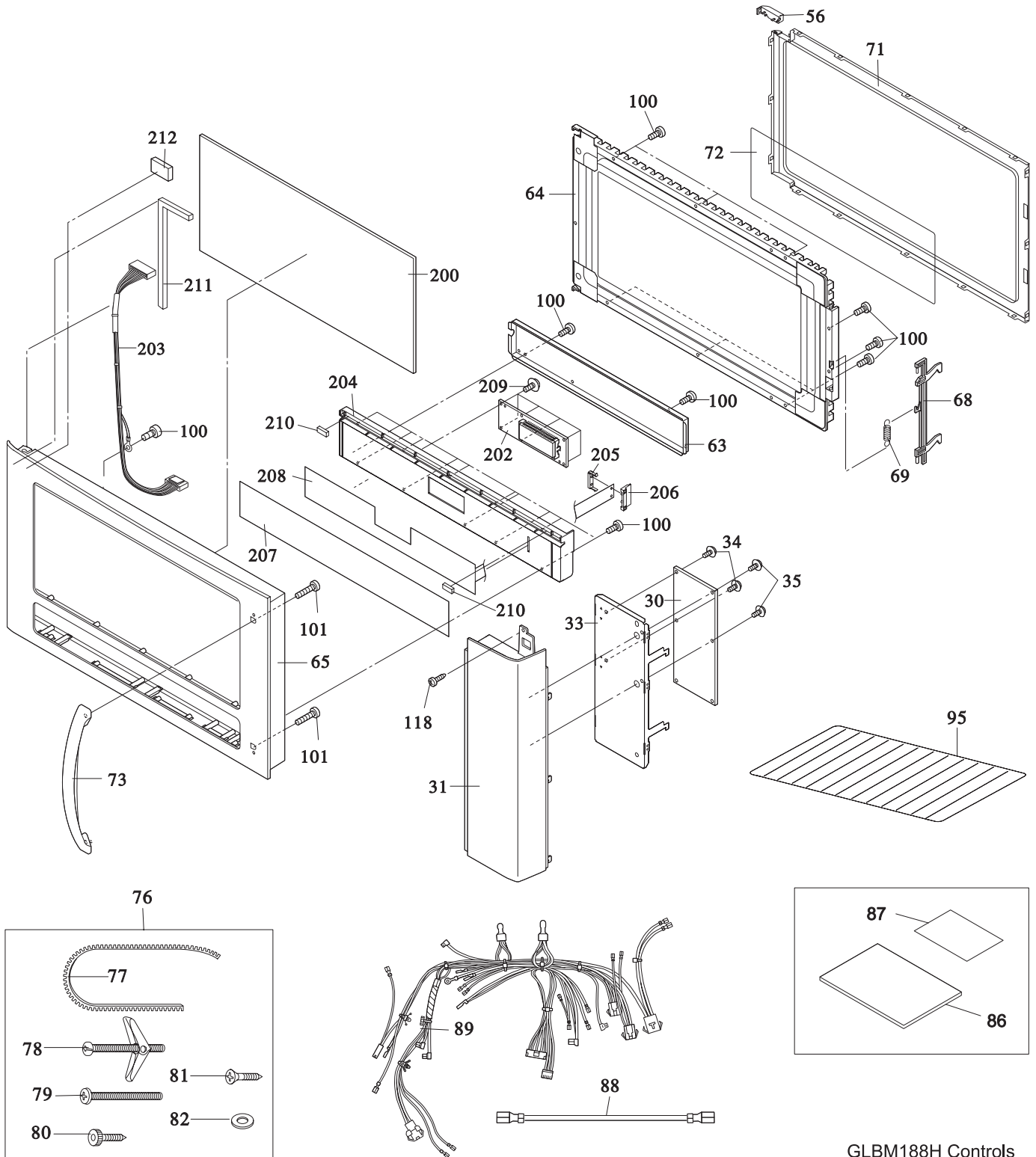
GLBM188H Cabinet

OVEN,CABINET

Model Index: A GLBM188H (GLBM188HBA)
 B GLBM188H (GLBM188HSA)
 C PLBMV188H (PLBMV188HCA)

POS. NO	PART NO.		DESCRIPTION
52	5304467728	A B C	Support, chassis
53	5304467730	A - C	Deflector, black
53	5304467731	- B -	Deflector, white
54	5304467732	A B C	Duct, exhaust hood
55	5304468916	A B C	Support, rack, front
57	5304467734	A B C	Barrier
58	5304467759	A B C	Cushion, transformer pad
59	5304467760	A B C	Cushion, intake duct, seal
60	5304467761	A B C	Plate, base, right
61	5304468917	A B C	Support, rack, left rear
62	5304468918	A B C	Support, rack, right rear
77	5304468919	A B C	Reflector, hood lamp
78	5304467767	A B C	Label, menu
80	5304467768	A B C	Cushion, base, right side, seal
81	5304467769	A B C	Cushion, latch hook, pad
90	5304467770	A B C	Label, Caution-DHHS
91	5304467771	A B C	Label, Caution-monitor
92 #	5304467772	A B C	Filter, inside exhaust, charcoal
93	5303319568	A B C	Filter, grease, (2)
94	5304467773	A B C	Clip, canoe type, stirrer cover
96 #	5304467774	A B C	Filter, air
98 #	5304468920	A B -	Wiring Harness, control-B
98 #	5304467775	- - C	Wiring Harness, control-B
99	5304467776	A B C	Cushion, fan duct, seal
106	5304467778	A B C	Screw, 3 mm x 8 mm
107	5304451552	A B C	Screw, 4 mm x 8 mm, white
107	5304467777	A B C	Screw, 4 mm x 8 mm, black
108	5304451550	A B C	Screw, 4 mm x 8 mm
109	5304450253	A B C	Screw, 4 mm x 8 mm
110	5304467779	A B C	Screw, 4 mm x 8 mm
111	5304467780	A B C	Screw, 4 mm x 8 mm, Tap Tight
113	5304467781	A B C	Screw, 3 mm x 6 mm
114	5303319641	A B C	Screw
117	5304468921	A B C	Holder, wire
130	5304468191	A B C	Label, Caution-DHHS

CONTROL PANEL, DOOR, MISC.



GLBM188H Controls

CONTROL PANEL,DOOR,MISC.

Model Index: A GLBM188H (GLBM188HBA)
 B GLBM188H (GLBM188HSA)
 C PLBMV188H (PLBMV188HCA)

POS. NO	PART NO.		DESCRIPTION
30 #	5304468922	A B C	Control Board, printed circuit
31	5304468925	A - -	Cover, control board, black
31	5304468924	- B -	Cover, control board, white
31	5304468923	- - C	Cover, control board, stainless
33	5304467787	A B C	Panel, control mount
34	5304467710	A B C	Screw, 3 mm x 8 mm
35	5304456930	A B C	Screw, 3 mm x 10 mm
56	5304463156	A B C	Door Stop
63	5304467788	A B C	Cover, control display
64	5304467789	A - C	Panel, inner door
64	5304468946	- B -	Panel, inner door, white
65	5304468948	A - -	Frame Assembly, door, black
65	5304468947	- B -	Frame Assembly, door, white
65	5304468926	- - C	Frame Assembly, door, stainless
68	5304467798	A B C	Latch, door
69	5304440316	A B C	Spring, door latch
71	5304467802	A B C	Frame, choke cover, inner door
72	5304467803	A B C	Seal, door, film
73	5304468928	A - -	Handle, door, black
73	5304468929	- B -	Handle, door, white
73	5304468927	- - C	Handle, door, stainless
76	5304467765	A B C	Hardware Kit, installation
77	5303318761	A B C	Sleeve, power cord, grommet
78	5303318762	A B C	Screw, toggle
79	5304453895	A B C	Screw, 5mm x 85mm
80	5304451552	A B C	Screw, 4 mm x 8 mm, white
81	5304453723	A B C	Screw, 5mm x 35mm
82	5304453724	A B C	Washer
86	5304467832	A B C	Template, installation, top
87	5304467833	A B C	Template, installation, wall
88 #	5304467828	A B C	Wire, ground
89 #	5304468945	A B C	Wiring Harness, main
95	5304463180	A B C	Rack, microwave oven, wire
100	5304468930	A B C	Screw, 4 mm x 10 mm
101	5304468932	A B -	Screw, 4 mm x 25 mm
101	5304468931	- - C	Screw
118	5304451553	A B C	Screw, 4 mm x 12 mm
200	5304468934	A - -	Glass, door, black
200	5304468935	- B -	Glass, door, white
200	5304468933	- - C	Glass, door, stainless
202#	5304468938	A B C	Display, digital
203#	5304468949	A B -	Wiring Harness, control-A
203#	5304467830	- - C	Wiring Harness, control-A, w/ground wire
204	5304468939	A B C	Frame, control panel, black
205	5304468940	A B C	Connector, ribbon cable, left
206	5304468941	A B C	Connector, ribbon cable, right
207	5304468942	A - C	Overlay, touch control, black
207	5304468950	- B -	Overlay, touch control, white
208#	5304468943	A B C	Touch Control, key pad
209	5304452259	A B C	Screw
210	5304468944	A B C	Cushion, pad, control panel
211	5304468951	A B -	Cushion, door, seal
212	5304468952	A B -	Cushion, door, pad

WIRING SCHEMATIC

SCHEMATIC
NOTE: CONDITION OF OVEN
 1. DOOR CLOSED
 2. CLOCK APPEARS ON DISPLAY

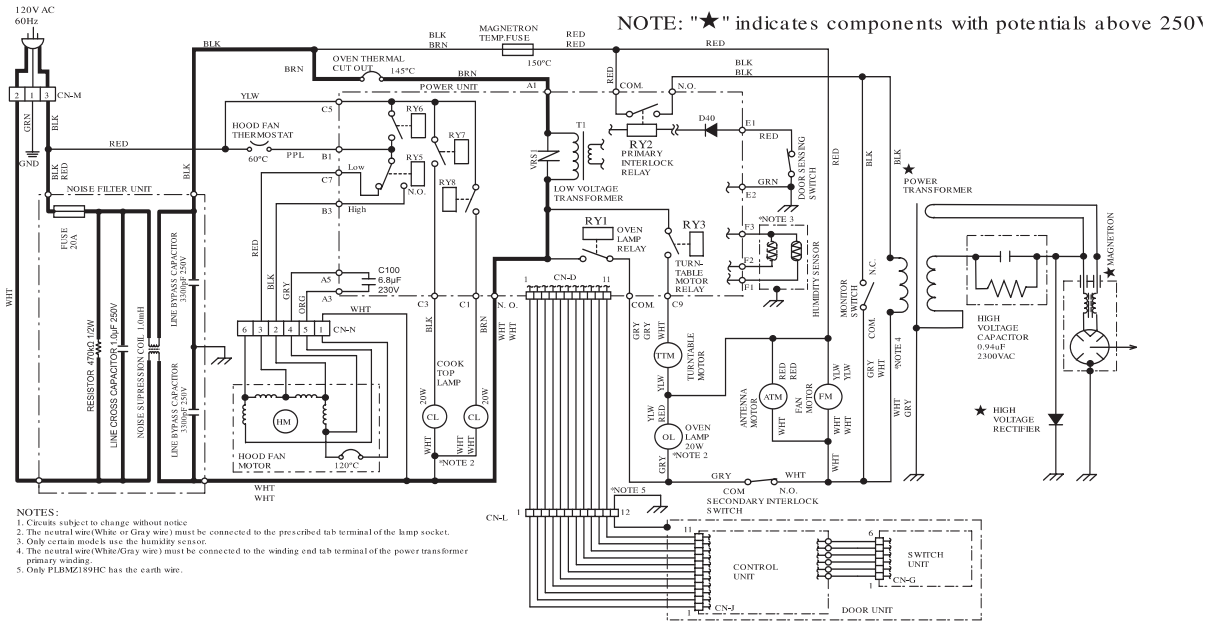


Figure O-1. Oven Schematic-Off Condition

SCHEMATIC
NOTE: CONDITION OF OVEN
 1. DOOR CLOSED.
 2. COOKING TIME PROGRAMMED.
 3. VARIABLE COOKING CONTROL "P-HI".
 4. START PAD TOUCHED.

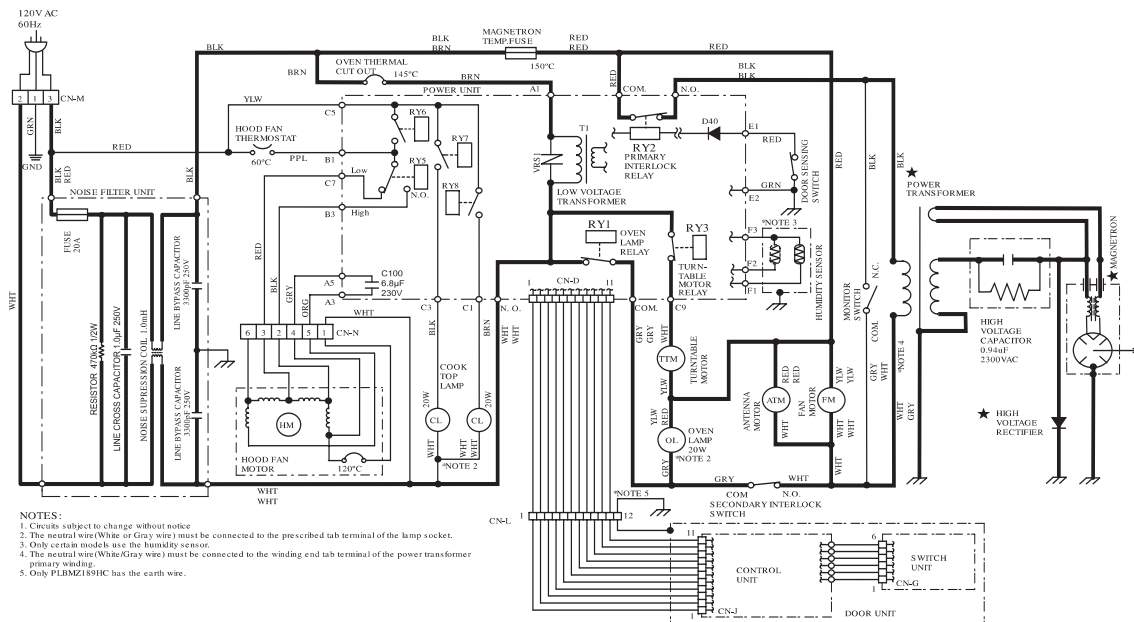


Figure O-2. Oven Schematic-Cooking Condition