

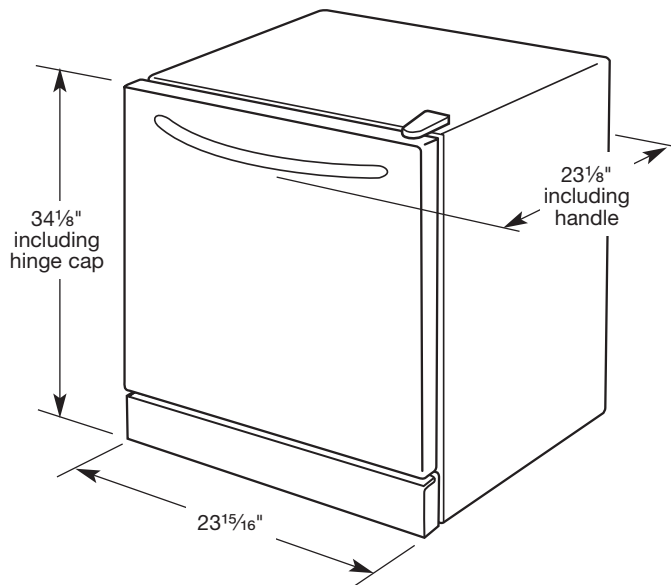
# KitchenAid® Compact Refrigerator

## PRODUCT MODEL NUMBERS

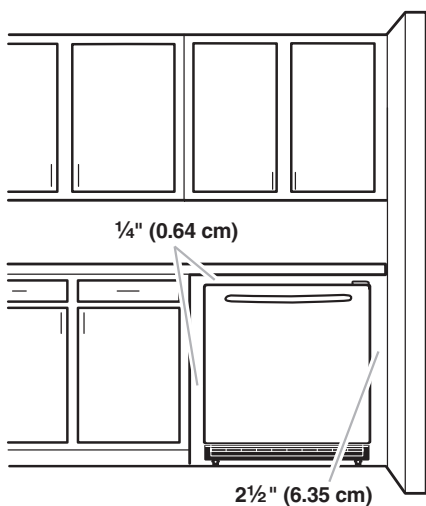
KBCA06XP

**Electrical:** A 115 Volt, 60-Hz., AC only 15- or 20-amp fused (or circuit breaker), grounded electrical supply is required. It is recommended that a separate circuit serving only your refrigerator be provided. Use an outlet that cannot be turned off by a switch. Do not use an extension cord.

## OVERALL DIMENSIONS



## LOCATION REQUIREMENTS



To ensure proper ventilation for your refrigerator, allow for a 1/4" (0.64 cm) space on each side and at the top. When installing your refrigerator next to a fixed wall, leave 2 1/2" (6.35 cm) minimum clearance on each side to allow for the door to swing open.

**NOTE:** Do not install the refrigerator near an oven, radiator, or other heat source, nor in a location where the temperature will fall below 55°F (13°C). For best performance, do not install the refrigerator behind a cabinet door or block the base grille.