

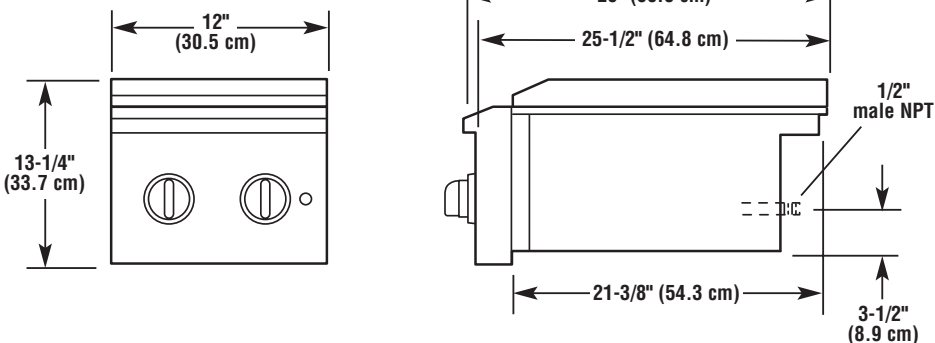
KitchenAid® Outdoor Built-In Side Burner

PRODUCT MODEL NUMBERS

KSBN220L

Gas supply: Side burners are set for natural gas use and have a pressure regulator with 1/2" female pipe threads. Side burners can be converted to L.P. gas. If local codes permit, use a flexible stainless steel tubing gas connector, design-certified and marked "outdoor" by AGA or CSA International, to connect the side burner to the rigid gas supply line. 5/8" diameter line is recommended.

OVERALL DIMENSIONS



CABINET OPENING DIMENSIONS

