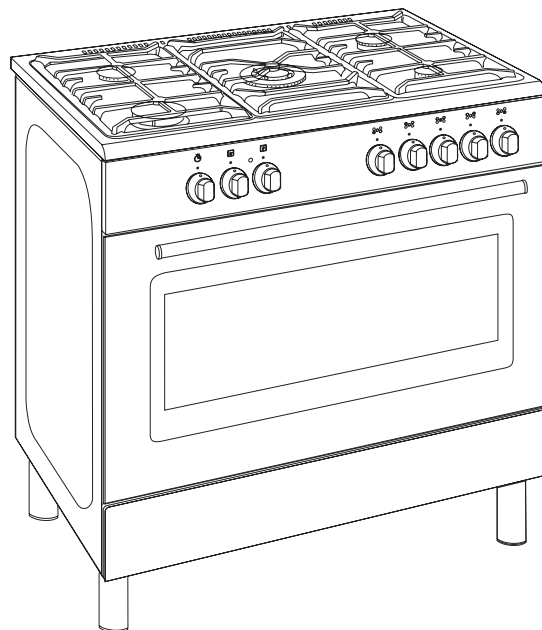


for
IKEA®
by
**WHIRLPOOL
CORPORATION**

INSTALLATION INSTRUCTIONS
35¼" (89.5 CM) FREESTANDING DUAL FUEL RANGE

INSTRUCTIONS D'INSTALLATION CUISINIÈRE
AUTOPORTANTE À BI-COMBUSTIBLE DE 35¼" (89,5 CM)

Table of Contents/Table des matières.....2



IMPORTANT:

Installer: Leave installation instructions with the homeowner.
Homeowner: Keep installation instructions for future reference.
Save installation instructions for local electrical inspector's use.

IMPORTANT :

Installateur : Remettre les instructions d'installation au propriétaire.
Propriétaire : Conserver les instructions d'installation pour référence ultérieure.
Conserver les instructions d'installation pour consultation par l'inspecteur local des installations électriques.

TABLE OF CONTENTS

RANGE SAFETY	2
INSTALLATION REQUIREMENTS	4
Tools and Parts	4
Location Requirements	4
Electrical Requirements - U.S.A. Only	6
Electrical Requirements - Canada Only	7
Gas Supply Requirements	8
INSTALLATION INSTRUCTIONS	9
Unpack Range.....	9
Install Range Anti-Tip Brackets	9
Attach Leveling Legs.....	9
Adjust Leveling Legs	9
Level Range.....	10
Install Wall Anti-Tip Brackets	10
Electrical Connection - U.S.A. Only	11
Make Gas Connection	14
Electronic Ignition System	15
Complete Installation	16
GAS CONVERSIONS	17
LP Gas Conversion	17
Natural Gas Conversion	18

TABLE DES MATIÈRES

SÉCURITÉ DE LA CUISINIÈRE	20
EXIGENCES D'INSTALLATION	21
Outillage et pièces	21
Exigences d'emplacement	22
Spécifications de l'installation électrique	24
Spécifications de l'alimentation en gaz	24
INSTRUCTIONS D'INSTALLATION	26
Déballage de la cuisinière	26
Installation des brides antibasculement pour cuisinière.....	26
Installation des pieds de réglage de l'aplomb	26
Réglage de la hauteur des pieds	26
Réglage de l'aplomb de la cuisinière	27
Installation des brides antibasculement murales	27
Raccordement au gaz	28
Système d'allumage électronique.....	29
Achever l'installation	29
CONVERSIONS POUR CHANGEMENT DE GAZ	30
Conversion pour l'alimentation au propane	30
Conversion pour l'alimentation au gaz naturel	31

RANGE SAFETY

Your safety and the safety of others are very important.

We have provided many important safety messages in this manual and on your appliance. Always read and obey all safety messages.



This is the safety alert symbol.

This symbol alerts you to potential hazards that can kill or hurt you and others.

All safety messages will follow the safety alert symbol and either the word "DANGER" or "WARNING."

These words mean:

⚠ DANGER

You can be killed or seriously injured if you don't immediately follow instructions.

⚠ WARNING

You can be killed or seriously injured if you don't follow instructions.

All safety messages will tell you what the potential hazard is, tell you how to reduce the chance of injury, and tell you what can happen if the instructions are not followed.

WARNING: If the information in this manual is not followed exactly, a fire or explosion may result causing property damage, personal injury or death.

- Do not store or use gasoline or other flammable vapors and liquids in the vicinity of this or any other appliance.
- **WHAT TO DO IF YOU SMELL GAS:**
 - Do not try to light any appliance.
 - Do not touch any electrical switch.
 - Do not use any phone in your building.
 - Immediately call your gas supplier from a neighbor's phone. Follow the gas supplier's instructions.
 - If you cannot reach your gas supplier, call the fire department.
- Installation and service must be performed by a qualified installer, service agency or the gas supplier.

WARNING: Gas leaks cannot always be detected by smell.

Gas suppliers recommend that you use a gas detector approved by UL or CSA.

For more information, contact your gas supplier.

If a gas leak is detected, follow the "What to do if you smell gas" instructions.

In the State of Massachusetts, the following installation instructions apply:

- Installations and repairs must be performed by a qualified or licensed contractor, plumber, or gasfitter qualified or licensed by the State of Massachusetts.
- If using a ball valve, it shall be a T-handle type.
- A flexible gas connector, when used, must not exceed 3 feet.

WARNING

Tip Over Hazard

A child or adult can tip the range and be killed.

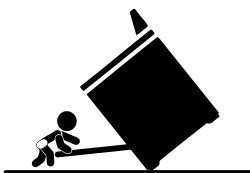
Connect wall anti-tip brackets to wall behind range.

Connect range anti-tip brackets to underside of range.

Re-engage the anti-tip brackets, if the range is moved.

See the installation instructions for details.

Failure to follow these instructions can result in death or serious burns to children and adults.



INSTALLATION REQUIREMENTS

Tools and Parts

Gather the required tools and parts before starting installation. Read and follow the instructions provided with any tools listed here.

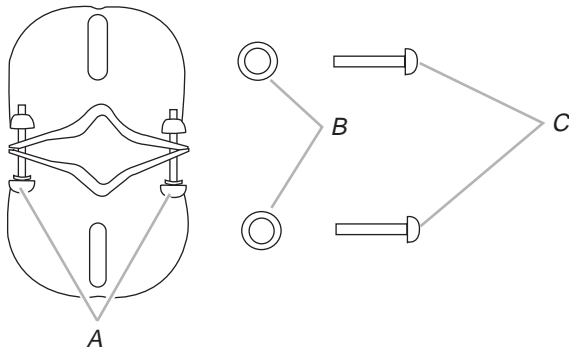
Tools needed

- Tape measure
 - Flat-blade screwdriver
 - Phillips screwdriver
 - Level
 - Hand or electric drill
 - ¼" drill bit (for wall)
 - Hammer
 - Wrench or pliers
 - Pipe wrench
 - Marker or pencil
 - Masking tape
 - Pipe-joint compound resistant to LP gas
 - Noncorrosive leak-detection solution
- For LP/Natural Gas Conversions**
- ½" combination wrench
 - 7 mm combination wrench
 - 7 mm nut driver

Parts supplied

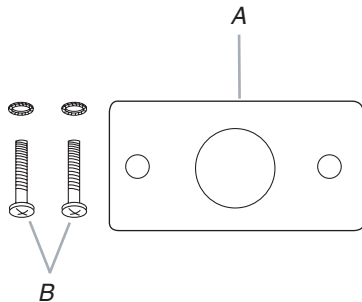
Check that all parts are included.

- CSA approved strain relief (U.S.A. only)



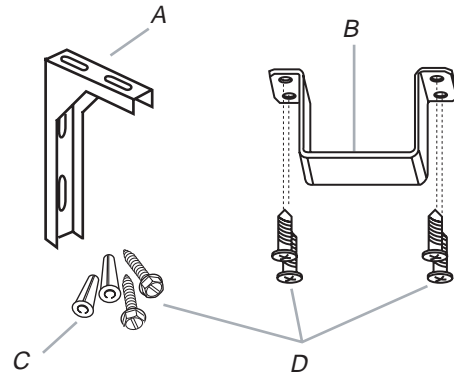
A. Strain relief screws
B. Washers
C. Attachment screws

- CSA approved conduit connector (U.S.A. only)



A. Conduit connector
B. Conduit connector attachment screws and washers

- Anti-tip bracket assembly



A. Wall anti-tip brackets (2)
B. Range anti-tip bracket (2)
C. Plastic drywall anchors (4)
D. Screws (12)

Wall anti-tip brackets must be securely mounted to the rear wall, and range anti-tip brackets must be securely attached to the rear underside of the range.

Parts needed

Check local codes and consult gas supplier. Check existing gas supply and electrical supply. See "Electrical Requirements" and "Gas Supply Requirements" sections.

Location Requirements

IMPORTANT: Observe all governing codes and ordinances. Do not obstruct flow of combustion and ventilation air.

- It is the installer's responsibility to comply with installation clearances specified on the model/serial rating plate. The model/serial rating plate is located inside the oven door on the right-hand side oven door trim.
- The range should be located for convenient use in the kitchen.
- Recessed installations must provide complete enclosure of the sides and rear of the range.
- To eliminate the risk of burns or fire by reaching over heated surface units, cabinet storage space located above the surface units should be avoided. If cabinet storage is to be provided, the risk can be reduced by installing a range hood or microwave hood combination that projects horizontally a minimum of 5" (12.7 cm) beyond the bottom of the cabinets.
- All openings in the wall or floor where range is to be installed must be sealed.
- Do not seal the range to the side cabinets.
- Cabinet opening dimensions that are shown must be used. Given dimensions are minimum clearances.

- The wall anti-tip bracket assembly (wall anti-tip brackets and range anti-tip brackets) must be installed. To install the anti-tip brackets shipped with the range, see “Install Range Anti-Tip Brackets” and “Install Wall Anti-Tip Bracket” sections.
- Grounded electrical supply is required. See “Electrical Requirements” section.
- Proper gas supply connection must be available. See “Gas Supply Requirements” section.
- Contact a qualified floor covering installer to check that the floor covering can withstand at least 200°F (93°C).
- Use an insulated pad or ¼" (0.64 cm) plywood under range if installing range over carpeting.

IMPORTANT: To avoid damage to your cabinets, check with your builder or cabinet supplier to make sure that the materials used will not discolor, delaminate or sustain other damage. This oven has been designed in accordance with the requirements of UL and CSA International and complies with the maximum allowable wood cabinet temperatures of 194° (90°C).

Mobile Home - Additional Installation Requirements

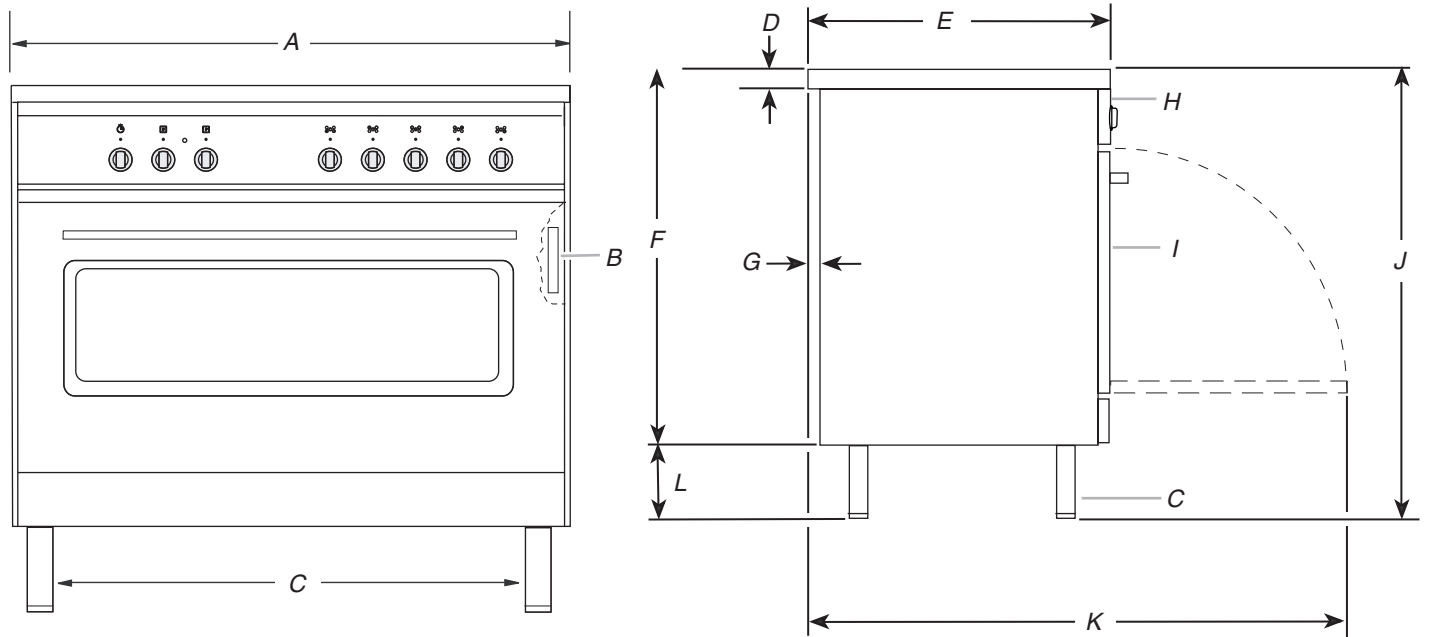
The installation of this range must conform to the Manufactured Home Construction and Safety Standard, Title 24 CFR, Part 3280 (formerly the Federal Standard for Mobile Home Construction and Safety, Title 24, HUD Part 280). When such standard is not applicable, use the Standard for Manufactured Home Installations, ANSI A225.1/NFPA 501A or with local codes.

In Canada, the installation of this range must conform with the current standards CAN/CSA-A240-latest edition, or with local codes.

Mobile home installations require:

- When this range is installed in a mobile home, it must be secured to the floor during transit. Any method of securing the range is adequate as long as it conforms to the standards listed above.
- Four-wire power supply cord or cable must be used in a mobile home installation. The appliance wiring will need to be revised. See “Electrical Connection” section.

Product Dimensions



A. 35¼" (89.5 cm)

B. Model/serial number plate (located inside the oven door on the right-hand side oven door trim)

C. Adjustable legs 5¾" min. to 9⅛" max. (14.6 cm min. to 23.0 cm max.)

D. 1" (2.5 cm)
E. 23⅝" (60.0 cm)

F. 29½" (75.0 cm)

G. 1⅝" (4.0 cm)

H. Front panel

I. Oven door

J. 35¼" to 37⅞" max. (89.5 cm to 96.2 cm max.)

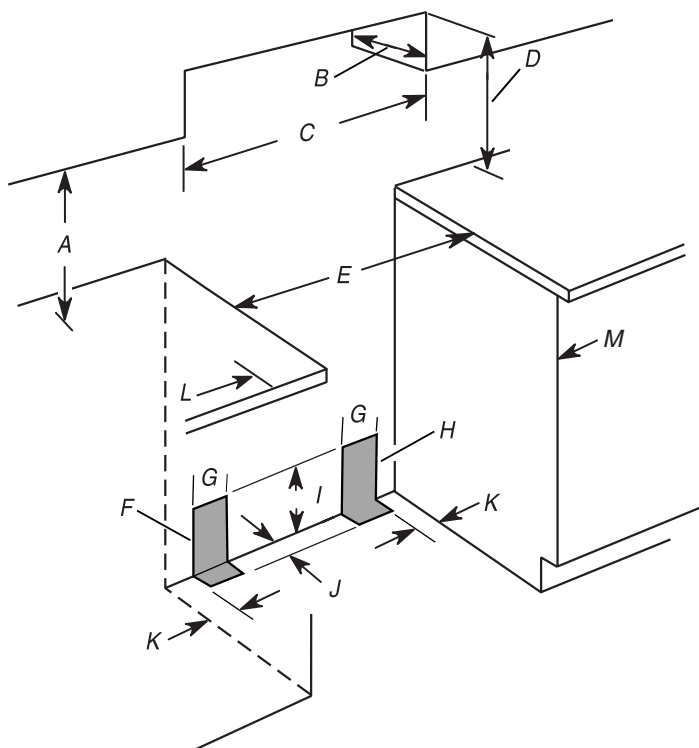
K. 40⅞" +/- ⅛" (103.0 cm +/- 2.5 mm)

L. 5¾" min. to 9⅛" max. (14.6 cm min. to 23.0 cm max.)

Cabinet Dimensions

Cabinet opening dimensions shown are for 25" (64.0 cm) countertop depth, 24" (61.0 cm) base cabinet depth and 36" (91.4 cm) countertop height.

IMPORTANT: If installing a range hood or microwave hood combination above the range, follow the range hood or microwave hood combination installation instructions for dimensional clearances above the cooktop surface.



- A. 18" (45.7 cm) upper cabinet to countertop
- B. 13" (33.0 cm) upper cabinet depth
- C. 35½" (90.1 cm) min. opening width
- D. For minimum clearance to top of the cooktop, see NOTE.
- E. 35¼" (89.5 cm) min. opening width
- F. This shaded area recommended for installation of rigid gas pipe.
- G. 8" (20.3 cm) available area for gas and electric installation
- H. This shaded area recommended for installation of outlet or junction box.
- I. 7" (17.8 cm)
- J. 1½" (3.8 cm)
- K. 4½" (11.4 cm)
- L. 5" (12.7 cm) min. clearance from both sides of the range to the side wall or other combustible material.
- M. Cabinet door or hinge should not extend into the cutout.

NOTE: 24" (61.0 cm) minimum when bottom of wood or metal cabinet is protected by not less than ¼" (0.64 cm) flame retardant millboard covered with not less than No. 28 MSG sheet steel, 0.015" (0.4 mm) stainless steel, 0.024" (0.6 mm) aluminum or 0.020" (0.5 mm) copper.

30" (76.2 cm) minimum clearance between the top of the cooking platform and the bottom of an unprotected wood or metal cabinet.

Electrical Requirements - U.S.A. Only

If codes permit and a separate ground wire is used, it is recommended that a qualified electrical installer determine that the ground path is adequate and wire gauge is in accordance with local codes.

Do not use an extension cord.

Be sure that the electrical connection and wire size are adequate and in conformance with the National Electrical Code, ANSI/NFPA 70-latest edition and all local codes and ordinances.

A copy of the above code standards can be obtained from:

National Fire Protection Association
One Batterymarch Park
Quincy, MA 02269

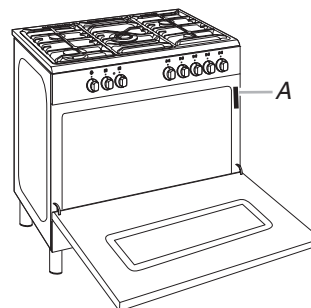
WARNING: Improper connection of the equipment-grounding conductor can result in a risk of electric shock. Check with a qualified electrician or service technician if you are in doubt as to whether the appliance is properly grounded. Do not modify the power supply cord plug. If it will not fit the outlet, have a proper outlet installed by a qualified electrician.

This range is manufactured with the neutral terminal connected to the cabinet. Use a 3-wire, UL listed, 40-amp power supply cord (pigtail) kit; or if local codes do not permit ground through the neutral, use a 4-wire power supply cord rated at 250 volts, 40 amps and investigated for use with ranges.

Electrical Connection

To properly install your range, you must determine the type of electrical connection you will be using and follow the instructions provided for it here.

- Range must be connected to the proper electrical voltage and frequency as specified on the model/serial number rating plate. The model/serial rating plate is located inside the oven door on the right-hand side oven door trim. See the following illustration.



A. Model/serial number plate

- When a 4-wire or 3-wire, single phase 120/240 volt, 60 Hz, AC only electrical supply is available, a 50-amp maximum circuit protection is required. When a 4-wire or 3-wire single phase 120/208 volt 60 Hz, AC only electrical supply is available, a 40-amp maximum circuit protection is required, fused on both sides of the line.

Electrical Requirements - Canada Only

- A time-delay fuse or circuit breaker is recommended.
- The range can be connected directly to the fused disconnect (or circuit breaker box) through flexible or nonmetallic sheathed, copper or aluminum cable. See “Electrical Connection.”
- Allow 2 to 3 ft (61.0 cm to 91.4 cm) of slack in the line so that the range can be moved if servicing is ever necessary.
- A UL listed conduit connector must be provided at each end of the power supply cable (at the range and at the junction box).
- Wire sizes and connections must conform with the rating of the range (40 amps).
- The tech sheet is located on the rear panel of the range in a clear plastic bag.

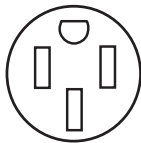
If connecting to a 4-wire system:

This range is manufactured with the ground connected to the cabinet. The ground must be revised so the green ground wire of the 4-wire power supply cord is connected to the cabinet. See “Electrical Connection.”

Grounding through the neutral conductor is prohibited for new branch-circuit installations (1996 NEC); mobile homes; and recreational vehicles, or an area where local codes prohibit grounding through the neutral conductor.

When a 4-wire receptacle of NEMA Type 14-50R is used, a matching UL listed, 4-wire, 250 volt, 40-amp, range power supply cord (pigtail) kit must be used. This cord contains 4 copper conductors with ring terminals or open-end spade terminals with upturned ends, terminating in a NEMA Type 14-50R plug on the supply end.

The fourth (grounding) conductor must be identified by a green or green/yellow cover and the neutral conductor by a white cover. Cord should be Type SRD or SRDT with a UL listed strain relief and be at least 4 ft (1.22 m) long.



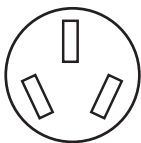
4-wire receptacle (14-50R)

The minimum conductor sized for the copper 4-wire power cord are:

- 40-amp circuit
- 2 No.-8 conductors
- 1 No.-10 white neutral
- 1 No.-8 green grounding

If connecting to a 3-wire system:

Local codes may permit the use of a UL listed, 3-wire, 250 volt, 40-amp range power supply cord (pigtail) kit. This cord contains 3 copper conductors with ring terminals or open-end spade terminals with upturned ends, terminating in a NEMA Type 10-50P plug on the supply end. Connectors on the appliance end must be provided at the point the power supply cord enters the appliance. This uses a 3-wire receptacle of NEMA Type 10-50R.



3-wire receptacle (10-50R)

⚠ WARNING



Electrical Shock Hazard

Electrically ground range.

Failure to do so can result in death, fire, or electrical shock.

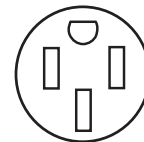
If codes permit and a separate ground wire is used, it is recommended that a qualified electrical installer determine that the ground path is adequate and wire gauge are in accordance with local codes.

Be sure that the electrical connection and wire size are adequate and in conformance with the CSA Standard C22.1, Canadian Electrical Code, Part 1 - latest edition, and all local codes and ordinances.

A copy of the above code standards can be obtained from:

Canadian Standards Association
178 Rexdale Blvd.
Toronto, ON M9W 1R3 CANADA.

- Check with a qualified electrical installer if you are not sure the range is properly grounded.
- When a 4-wire, single phase 120/240 volt, 60 Hz., AC only electrical supply is available, a 50-amp maximum circuit protection is required (or, if specified on the model/serial rating plate, when a 4-wire, single phase 120/208 volt, 60 Hz., AC only electrical supply is available, a 40-amp maximum circuit protection is required), fused on both sides of the line.
- A time-delay fuse or circuit breaker is recommended.
- This range is equipped with a CSA International Certified Power Cord intended to be plugged into a standard 14-50R wall receptacle. Be sure the wall receptacle is within reach of range's final location.



- Do not use an extension cord.

Gas Supply Requirements

⚠ WARNING



Explosion Hazard

Use a new CSA International approved gas supply line.

Install a shut-off valve.

Securely tighten all gas connections.

If connected to LP, have a qualified person make sure gas pressure does not exceed 13" (33 cm) water column.

Examples of a qualified person include:

licensed heating personnel,
authorized gas company personnel, and
authorized service personnel.

Failure to do so can result in death, explosion, or fire.

Observe all governing codes and ordinances.

IMPORTANT: This installation must conform with all local codes and ordinances. In the absence of local codes, installation must conform with American National Standard, National Fuel Gas Code ANSI Z223.1 - latest edition or CAN/CGA B149 - latest edition.

IMPORTANT: Leak testing of the range must be conducted according to the manufacturer's instructions.

Type of Gas

Natural gas:

This range is design-certified by CSA International for use with Natural gas or, after proper conversion, for use with LP gas.

- This range is factory set for use with Natural gas. See "Gas Conversions" section. The model/serial rating plate located inside the oven door on the right-hand side oven door trim has information on the types of gas that can be used. If the types of gas listed do not include the type of gas available, check with the local gas supplier.

LP gas conversion:

Conversion must be done by a qualified service technician.

No attempt shall be made to convert the appliance from the gas specified on the model/serial rating plate for use with a different gas without consulting the serving gas supplier. See "Gas Conversions" section.

Gas Supply Line

- Provide a gas supply line of 3/4" (1.9 cm) rigid pipe to the range location. A smaller size pipe on longer runs may result in insufficient gas supply. Pipe-joint compounds that resist the action of LP gas must be used. Do not use TEFLON^{®†} tape. With LP gas, piping or tubing size can be 1/2" (1.3 cm) minimum. Usually, LP gas suppliers determine the size and materials used in the system.

Flexible metal appliance connector:

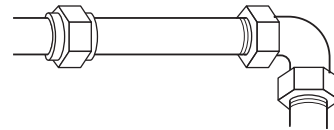
- If local codes permit, a new CSA design-certified, 4 - 5 ft (122 - 152.4 cm) long, 1/2" (1.3 cm) or 3/4" (1.9 cm) I.D., flexible metal appliance connector may be used for connecting range to the gas supply line.



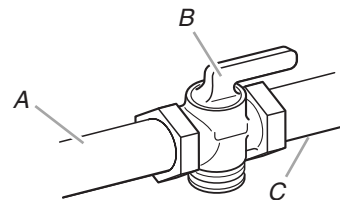
- A 1/2" (1.3 cm) male pipe thread is needed for connection to the female pipe threads of the inlet to the appliance pressure regulator.
- Do not kink or damage the flexible metal tubing when moving the range.

Rigid pipe connection:

The rigid pipe connection requires a combination of pipe fittings to obtain an in-line connection to the range. The rigid pipe must be level with the range connection. All strains must be removed from the supply and fuel lines so range will be level and in line.



- Must include a shutoff valve:
The supply line must be equipped with a manual shutoff valve. This valve should be located in the same room but external to the range. It should be in a location that allows ease of opening and closing. Do not block access to shutoff valve. The valve is for turning on or shutting off gas to the range.



A. Gas supply line
B. Shutoff valve "open" position
C. To range

Gas Pressure Regulator

The gas pressure regulator supplied with this range must be used. The inlet pressure to the regulator should be as follows for proper operation:

Natural gas:

Minimum pressure: 5" WCP

Maximum pressure: 13" WCP

LP gas:

Minimum pressure: 11" WCP

Maximum pressure: 13" WCP

Contact local gas supplier if you are not sure about the inlet pressure.

†TEFLON is a registered trademark of E.I. Du Pont De Nemours and Company.

Burner Input Requirements

Input ratings shown on the model/serial rating plate are for elevations up to 2,000 ft (609.6 m).

For elevations above 2,000 ft (609.6 m), ratings are reduced at a rate of 4% for each 1,000 ft (304.8 m) above sea level (not applicable for Canada).

Gas Supply Pressure Testing

Line pressure testing above ½ psi gauge (13" WCP)

The appliance and its individual shutoff valve must be disconnected from the gas supply piping system during any pressure testing of that system at test pressures in excess of ½ psi (3.5 kPa).

Line pressure testing at ½ psi gauge (13" WCP) or lower

The appliance must be isolated from the gas supply piping system by closing its individual manual shutoff valve during any pressure testing of the gas supply piping system at test pressures equal to or less than ½ psi (3.5 kPa).

INSTALLATION INSTRUCTIONS

Unpack Range

! WARNING

Excessive Weight Hazard

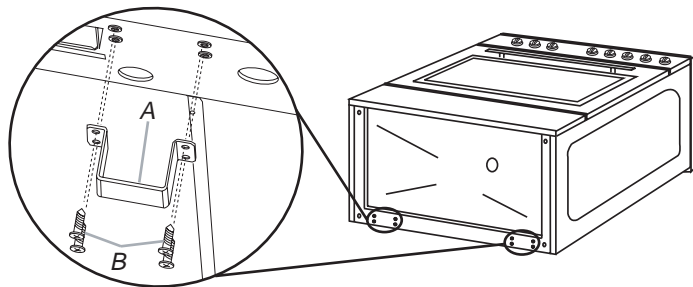
Use two or more people to move and install range.

Failure to do so can result in back or other injury.

1. Remove shipping materials, tape and protective film from the range. Remove oven racks and parts package from inside oven.
2. Place the top sheet of polystyrene foam from the packaging lengthwise on the floor behind the range to support the range when it is laid on its back. Using 2 or more people, firmly grasp the range and gently lay it on its back on the polystyrene foam.

Install Range Anti-Tip Brackets

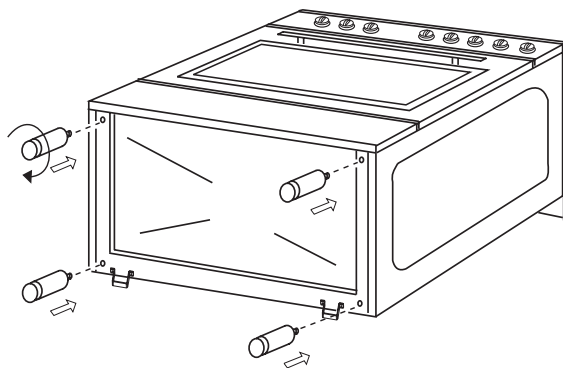
1. Use the 8 screws provided to securely attach range anti-tip brackets to each rear corner of the range.



A. Range anti-tip bracket (2)
B. 8 screws (4 per bracket)

Attach Leveling Legs

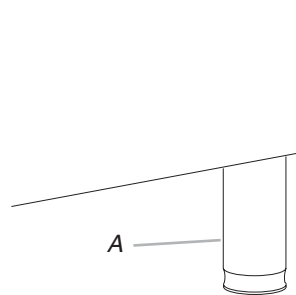
1. Remove the 4 leveling legs from the parts package.
2. To attach the leveling legs, screw 1 leg clockwise into the threaded hole located at each corner underneath the range.



Adjust Leveling Legs

1. If range height adjustment is necessary, manually adjust the leveling leg sleeves to loosen the 4 leveling legs. Leveling legs can be loosened to add up to a maximum of 5¾" (14.6 cm).

This may be done with the range on its back or with the range supported on 2 legs after the range has been placed back to a standing position.



A. Leveling leg sleeves

NOTE: To place range back up to a standing position, put a sheet of cardboard or hardboard in front of range. Using 2 or more people, stand range back up onto the cardboard or hardboard.

⚠️ WARNING



Tip Over Hazard

A child or adult can tip the range and be killed.

Connect wall anti-tip brackets to wall behind range.

Connect range anti-tip brackets to underside of range.

Re-engage the anti-tip brackets, if the range is moved.

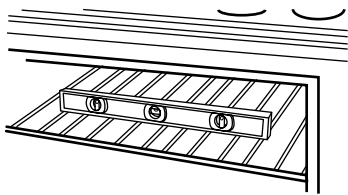
See the installation instructions for details.

Failure to follow these instructions can result in death or serious burns to children and adults.

2. When the range is at the correct height, check that there is adequate clearance between the range and wall to install the anti-tip brackets. Before sliding range into its final position, install anti-tip brackets.

Level Range

1. Place a rack in oven.
2. Place level on rack to check levelness of range, first side to side, then front to back.



3. If the range is not level, pull range forward.
4. Manually adjust the leveling legs up or down. Turn leveling leg sleeves to level range and to raise or lower range to the desired countertop height.

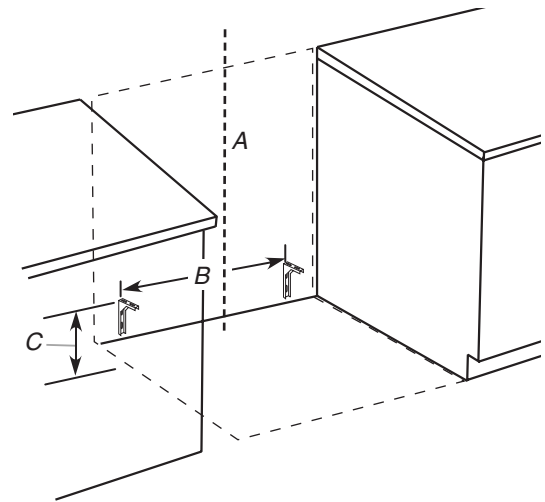
NOTE: Range must be level for satisfactory baking performance.

5. Continue installing your range using the following installation instructions.

Install Wall Anti-Tip Brackets

Before moving range, slide range onto shipping base, cardboard or hardboard.

1. Using a measuring tape, find and clearly mark the vertical centerline on the wall of the range location. Use the dimensions provided below to determine the position of the wall anti-tip brackets on the rear wall of the cutout.

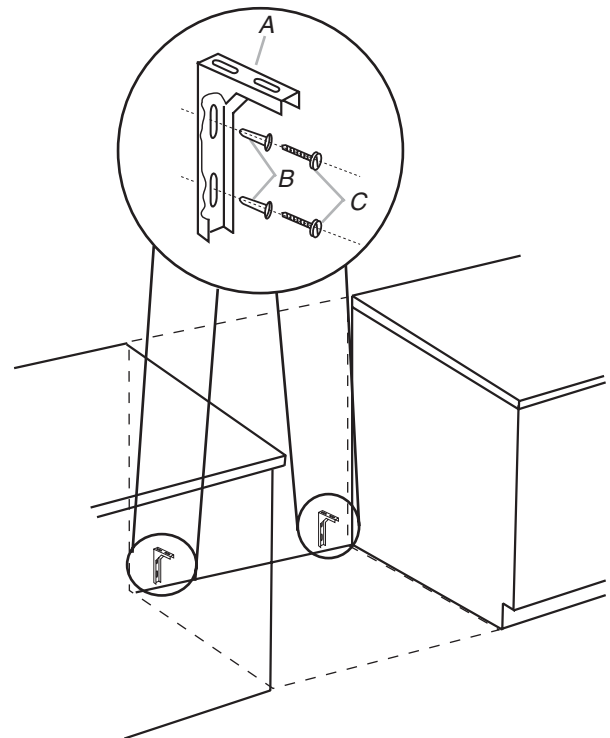


A. Centerline

B. 27½" (70.0 cm)

C. Determine distance from bottom of range anti-tip brackets to floor and add 5/8" (16.0 mm).

2. Measure distance from bottom of range anti-tip brackets to floor, add 5/8" (16.0 mm) to the distance and mark on the rear wall of the cutout.
3. Measure out 13 5/8" (34.6 cm) right and left of the centerline (A) made in Step 1 and mark the intersection to determine placement of top of each bracket.
4. Securely attach the wall anti-tip brackets to the rear wall of the cutout with drywall anchors and screws provided.



A. Wall anti-tip brackets

B. Drywall anchors

C. Anti-tip screws

5. Move range close enough to wall to allow for final electrical connection. Remove shipping base, cardboard or hardboard from under range.

Electrical Connection - U.S.A. Only

Power Supply Cord

⚠ WARNING



Electrical Shock Hazard

Disconnect power before servicing.
Use a new 40 amp power supply cord.
Plug into a grounded outlet.
Failure to follow these instructions can result in death, fire, or electrical shock.

Direct Wire

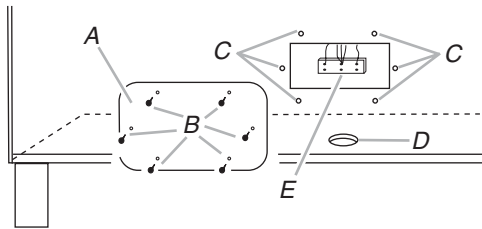
⚠ WARNING



Electrical Shock Hazard

Disconnect power before servicing.
Use 8 gauge copper or 6 gauge aluminum wire.
Electrically ground range.
Failure to follow these instructions can result in death, fire, or electrical shock.

1. Disconnect power.
2. Remove the terminal block cover screws located on the back of the range. Pull cover down and toward you to remove cover.



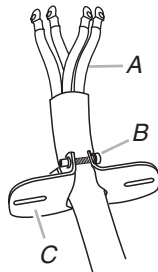
A. Terminal block cover
 B. Terminal block cover screws
 C. Terminal block cover screw holes
 D. Power cord insertion hole
 E. Terminal block

3. Install strain relief.

Style 1: Power supply cord strain relief

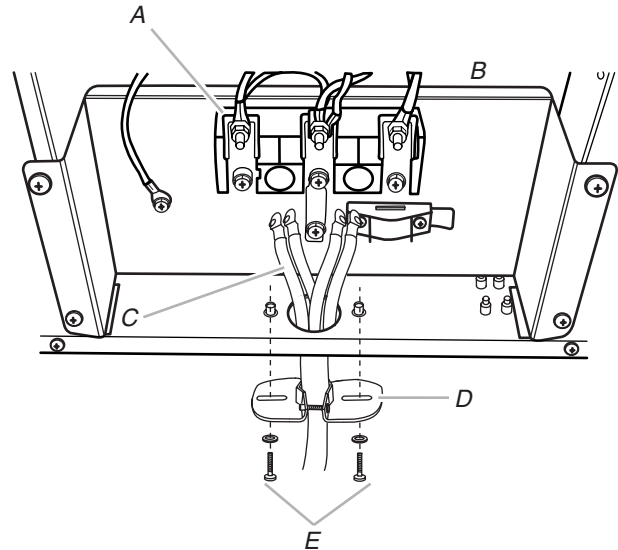
- Secure the strain relief onto the power supply cord by tightening the screws with Phillips screwdriver.

NOTE: Allow for 6" minimum from power supply cord wires to strain relief.



A. Power supply cord wires
 B. Screw
 C. UL listed strain relief

- Feed the power supply cord through the hole underneath the terminal block on the bottom of the range. Allow enough slack to easily attach the wiring to the terminal block.

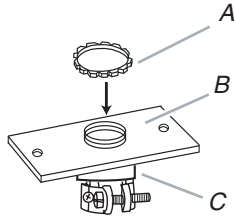


A. Terminal block
 B. Rear of range
 C. Power supply cord wires
 D. Strain relief
 E. Screws

- Secure strain relief underneath the range by tightening screws.

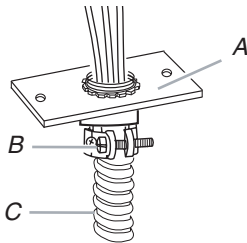
Style 2: Direct wire strain relief

- Assemble a UL listed conduit connector and conduit plate.



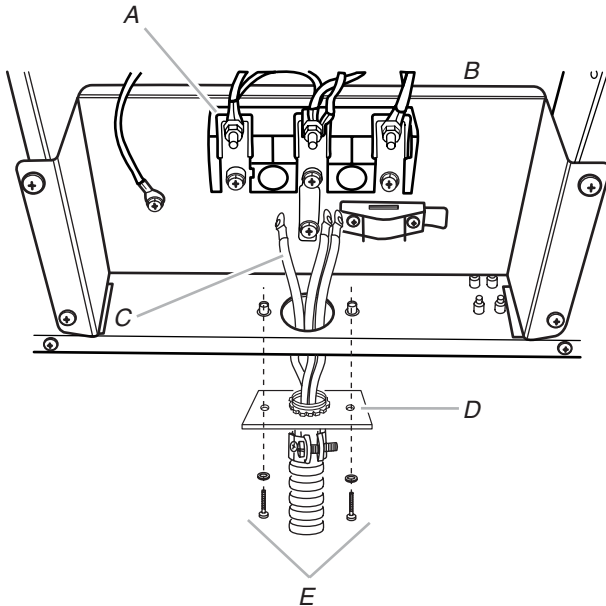
A. Removable retaining nut
B. Conduit plate
C. Strain relief

- Feed the flexible conduit through the conduit plate. Securely tighten strain relief screw.



A. Conduit plate
B. Strain relief screw
C. Flexible conduit

- Feed wires through the hole underneath the terminal block on the bottom of the range. Allow enough slack to easily attach the wiring to the terminal block. Secure the conduit plate underneath the range by tightening screws.



A. Terminal block
B. Rear of range
C. Wires
D. Strain relief
E. Screws

- Complete installation following instructions for your type of electrical connection:

4-wire (recommended)

3-wire (if 4-wire is not available)

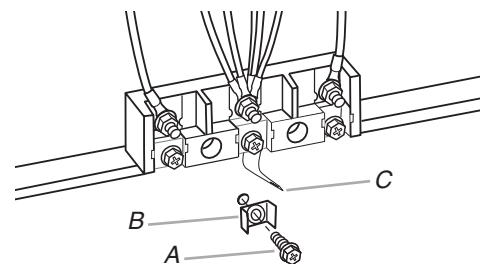
Electrical Connection Options

If your home has:	And you will be connecting to:	Go to Section:
4-wire receptacle (NEMA type 14-50R)	A UL listed, 250-volt minimum, 40-amp, range power supply cord	4-wire connection: Power supply cord
4-wire direct	A fused disconnect or circuit breaker box	4-wire connection: Direct wire
3-wire receptacle (NEMA type 10-50R)	A UL listed, 250-volt minimum, 40-amp, range power supply cord	3-wire connection: Power supply cord
3-wire direct	A fused disconnect or circuit breaker box	3-wire connection: Direct wire

4-wire connection: Power Supply Cord

Use this method for:

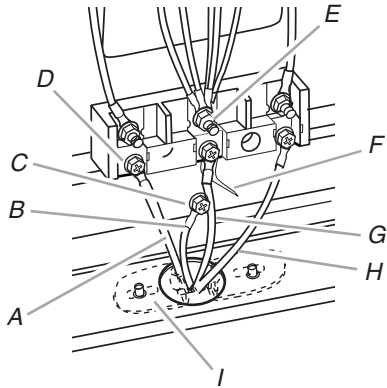
- New branch-circuit installations (1996 NEC)
 - Mobile homes
 - Recreational vehicles
 - An area where local codes prohibit grounding through the neutral
- Remove the ground-link screw from the range frame. Save the ground link screw and cup washer. Bend the ground-link away from the range so that it does not contact the range.



A. Ground-link screw
B. Cup washer
C. Ground-link bent away from range

- Connect the green ground wire from the power supply cord to the range using the ground-link screw. The ground wire must be attached first and must not contact any other terminal.
- Use a 1/4" nut driver and remove the hex washer head screws from the terminal blocks.

- Connect the neutral (center) wire to the center terminal connector using one of the hex washer head screws. Securely tighten screw for proper electrical connection.



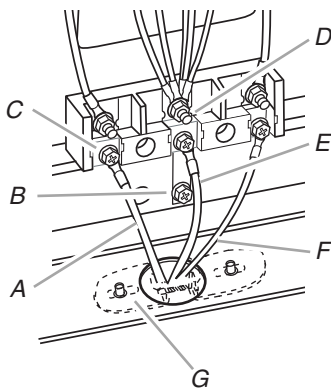
- | | |
|--|---|
| A. Line 1 | F. Ground-link |
| B. Green ground wire | G. Neutral (center) wire |
| C. Ground-link screw | H. Line 2 |
| D. Hex washer head screw | I. UL listed strain relief and 40-amp range power supply cord |
| E. Silver-colored terminal block screw | |

- Connect the other 2 wires (lines 1 and 2) to the outer aluminum terminal blocks.
- Securely tighten screws for proper electrical connection.
- Tighten strain relief screws.
- Replace terminal block cover.

3-wire connection: Power Supply Cord

Use this method only if local codes permit connecting cabinet-ground conductor to neutral wire of power supply cord.

- Use a 1/4" nut driver and remove the hex washer head screws from the aluminum terminal blocks.
- Connect the neutral (center) wire to the center terminal connector using one of the hex washer head screws. Securely tighten screw for proper electrical connection.



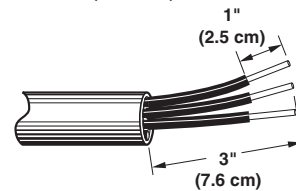
- | | |
|--|---|
| A. Line 1 | E. Neutral (center) wire |
| B. Ground-link | F. Line 2 |
| C. Hex washer head screw | G. UL listed strain relief and 40-amp range power supply cord |
| D. Silver-colored terminal block screw | |

- Connect the other 2 wires (lines 1 and 2) to the outer terminal screws on the terminal block.
- Tighten strain relief screws.
- Replace terminal block cover.

Direct Wire Installation: Copper or Aluminum Wire

This range may be connected directly to the fuse disconnect or circuit breaker box. Depending on your electrical supply, make the required 3-wire or 4-wire connection.

- Strip outer covering back 3" (7.6 cm) to expose wires. Strip the insulation back 1" (2.5 cm) from the end of each wire.



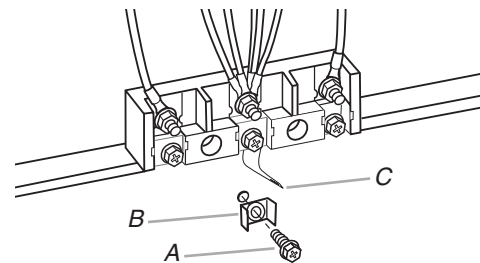
- Allow enough slack in the wire to easily attach the wiring terminal block.
- Complete electrical connection according to your type of electrical supply (4-wire or 3-wire connection).

4-wire Connection: Direct Wire

Use this method for:

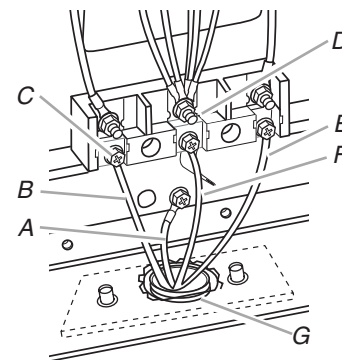
- New branch-circuit installations (1996 NEC)
- Mobile homes
- Recreational vehicles
- An area where local codes prohibit grounding through the neutral

- Remove the ground-link screw from the range frame. Save the ground-link screw and cup washer. Bend the ground-link away from the range so that it does not contact the range.



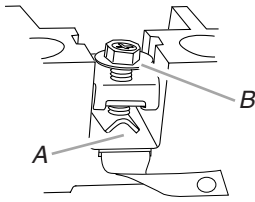
- | |
|-------------------------------------|
| A. Ground-link screw |
| B. Cup washer |
| C. Ground-link bent away from range |

- Connect the bare ground wire to the range using the ground-link screw and cup washer. The ground wire must be attached first and must not contact any other terminal.



- | | |
|--|---|
| A. Bare wire from power supply cable | E. Line 2 |
| B. Line 1 | F. Neutral (white) wire |
| C. Hex washer head screw | G. UL listed conduit connector and power supply cable |
| D. Silver-colored terminal block screw | |

- Loosen (do not remove) the hex washer head screw and insert the neutral (white) wire under the screw clamp at the bottom of the center position terminal connector.
- Insert the other 2 wires (lines 1 and 2) under the other 2 screw clamps.



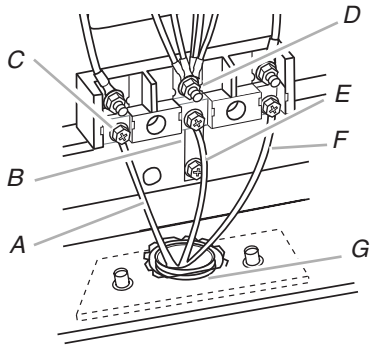
A. Insert wire under screw clamp.
B. Hex washer head screw

- Securely tighten the hex washer head screws to 35 lbs-in. (4.0 N-m) minimum torque to make proper electrical connection.
- Tighten the locking ring of the conduit connector.
- Replace the terminal block cover.

3-wire connection: Direct Wire

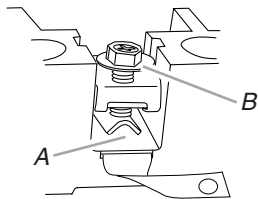
Use this method only if local codes permit connecting ground conductor to neutral supply wire.

- Loosen (do not remove) the hex washer head screws and insert the neutral (white) wire under the screw clamp at the bottom of the center position terminal connector.



A. Line 1
B. Ground-link
C. Hex washer head screw
D. Silver-colored terminal block screw
E. Neutral (white) wire
F. Line 2
G. UL listed conduit connector and power supply cable

- Insert the other 2 wires (lines 1 and 2) under the other 2 screw clamps.

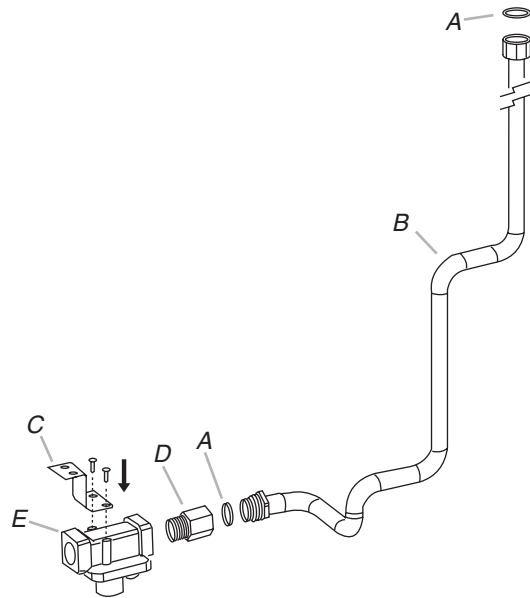


A. Insert wire under screw clamp.
B. Hex washer head screw

- Securely tighten the hex washer head screws to 35 lbs-in. (4.0 N-m) minimum torque to make a proper electrical connection.
- Tighten the locking ring of the conduit connector.
- Replace the terminal block cover.

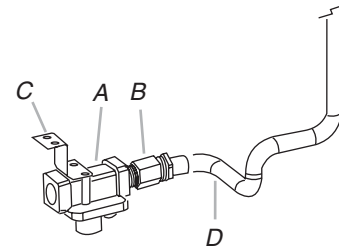
Make Gas Connection

The gas pressure regulator is supplied with the Gas Connection Kit. Check that all parts are included.



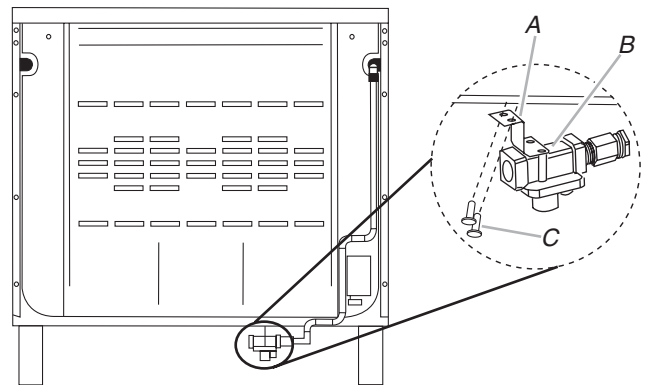
A. Joint
B. Pipe
C. Plate
D. Adapter
E. Gas pressure regulator

- Connect the gas pressure regulator to the pipe, using the adapter.



A. Gas pressure regulator
B. Adapter
C. Plate
D. Pipe

- Securely attach the pipe and plate underneath the range, using the screws provided.

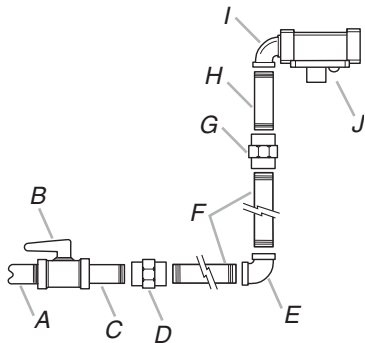


A. Plate
B. Gas pressure regulator
C. Screws

Typical rigid pipe connection

A combination of pipe fittings must be used to connect the range to the existing gas line. Your connections may be different, according to the supply line type, size and location.

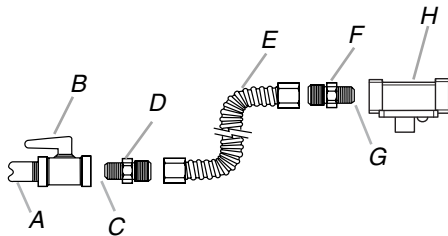
1. Apply pipe-joint compound made for use with LP gas to all pipe thread connections.
2. Using a pipe wrench to tighten, connect the gas supply to the range.



- A. 1/2" or 3/4" gas pipe
- B. Manual gas shutoff valve
- C. Nipple
- D. Union
- E. 90° elbow
- F. Black iron pipe
- G. Union
- H. Nipple
- I. 90° elbow (must have 1/2" male pipe thread)
- J. Gas pressure regulator

Typical flexible connection

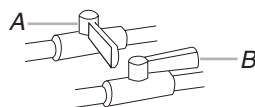
1. Apply pipe-joint compound made for use with LP gas to the smaller thread ends of the flexible connector adapters (see C and G in the following illustration).
2. Attach one adapter to the gas pressure regulator and the other adapter to the gas shutoff valve. Tighten both adapters.
3. Use a 15/16" combination wrench and channel lock pliers to attach the flexible connector to the adapters. Check that connector is not kinked.



- A. 1/2" or 3/4" gas pipe
- B. Manual gas shutoff valve
- C. Use pipe-joint compound
- D. Adapter
- E. Flexible connector
- F. Adapter (must have 1/2" male pipe thread)
- G. Use pipe-joint compound
- H. Gas pressure regulator

Complete Connection

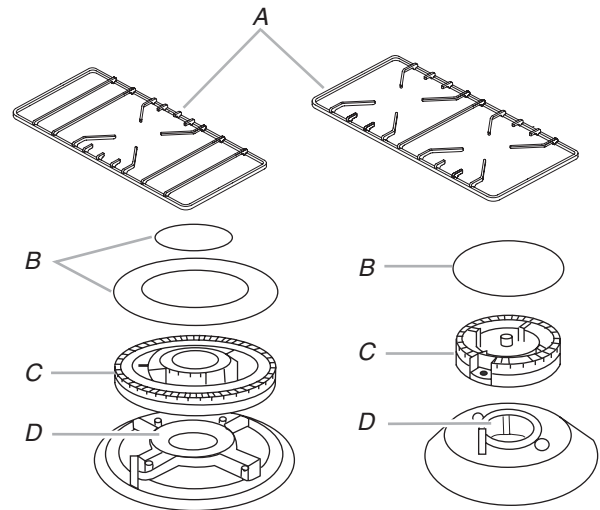
1. Open the manual shutoff valve in the gas supply line. The valve is open when the handle is parallel to the gas pipe.



- A. Closed valve
- B. Open valve

2. Test all connections by brushing on an approved noncorrosive leak-detection solution. If bubbles appear, a leak is indicated. Correct any leak found.

3. Remove cooktop burner caps and grates from parts package. Align notches in burner caps with pins in burner base. Burner caps should be level when properly positioned. If burner caps are not properly positioned, surface burners will not light. Place burner grates over burner and caps.



- A. Burner grate
- B. Burner cap
- C. Burner head
- D. Burner base

4. Plug in range or reconnect power. For further information, please refer to the user instructions located in the Use and Care Guide.
5. Push range back into its final location. Check that the anti-tip brackets are engaged.

Electronic Ignition System

Light a Surface Burner

Push in and turn cooktop control knob to the "LITE" position. A spark will automatically light the burner.

Check Operation of Surface Burners

Push in and turn the surface burners control knobs to the "LITE" position.

The surface burner flame should light within 4 seconds. The first time a surface burner is lighted it may take longer than 4 seconds to light because of air in the gas line.

Check the flame on "HI" for a blue color. It should be clean and soft in character. No yellow tip, blowing or lifting of flame should occur. Occasional orange flashes are normal and reflect different elements in the air or gas.

After verifying the proper burner operation, turn the control knobs to "OFF."

If burners do not light properly:

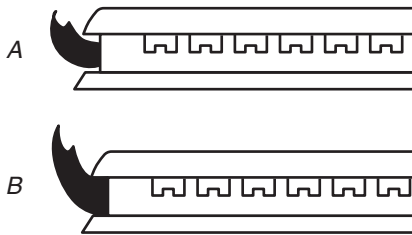
- Turn surface burner control knob to the "OFF" position.
- Check that the power supply cord is plugged in and the circuit breaker has not tripped or the fuse blown.
- Check that the gas shutoff valves are set to the "open" position.
- Check that burner caps are properly positioned on burner bases.

Recheck operation of surface burners. If a burner does not light at this point, contact your dealer or authorized service company for assistance.

Adjust Flame Height

Adjust the height of surface burner flames.

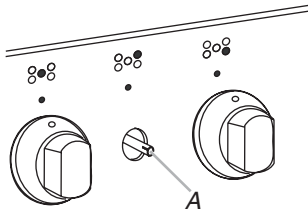
The surface burner “low” flame should be a steady blue flame approximately ¼" (0.64 cm) high.



A. Low flame
B. High flame

If the “low” flame needs to be adjusted:

The flame can be adjusted using the adjustment screw in the center of the valve stem. The valve stem is located directly underneath the control knob.



A. Adjustment screw

1. Remove the control knob.
2. Hold the knob stem with a pair of pliers. Use a small flat-blade screwdriver to turn the screw located in the center of the control knob stem until the flame is the proper size.
3. Replace the control knob.
4. Test the flame by turning the control from “LO” to “HI,” checking the flame at each setting.

Complete Installation

1. Check that all parts are now installed. If there is an extra part, go back through the steps to see which step was skipped.
2. Check that you have all of your tools.
3. Dispose of/recycle all packaging materials.
4. Check that range level. See “Level Range.”
5. Use a mild solution of liquid household cleaner and warm water to remove waxy residue caused by protective shipping material. Dry thoroughly with a soft cloth. For more information, see the “Range Care” section of the Use and Care Guide.
6. Read “Range Use” in the Use and Care Guide.
7. Turn on surface burners and oven. See the Use and Care Guide for specific instruction on range operation.

If range does not operate, check the following:

- Household fuse is intact and tight, or circuit breaker has not tripped.
- Gas valves are turned to the “open” position.
- If the gas supply line shutoff valve is open, press the OFF button on the oven control panel and contact a qualified technician.
- Electrical supply is connected.
- See “Troubleshooting” in the Use and Care Guide.

When the range has been on for 5 minutes, check for heat. If range is cold, turn off the range and contact a qualified technician.

GAS CONVERSIONS

Gas conversions from Natural gas to LP gas; or from LP gas to Natural gas must be done by a qualified installer.

⚠ WARNING



Explosion Hazard

Use a new CSA International approved gas supply line.

Install a shut-off valve.

Securely tighten all gas connections.

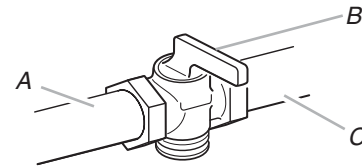
If connected to LP, have a qualified person make sure gas pressure does not exceed 13" (33 cm) water column.

Examples of a qualified person include:

licensed heating personnel,
authorized gas company personnel, and
authorized service personnel.

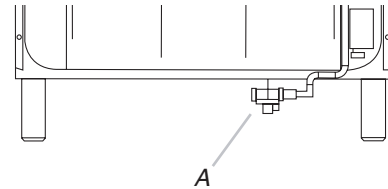
Failure to do so can result in death, explosion, or fire.

2. Unplug range or disconnect power.



- A. To range
- B. Manual shutoff valve "closed" position
- C. Gas supply line

3. Remove access cover from the gas pressure regulator.

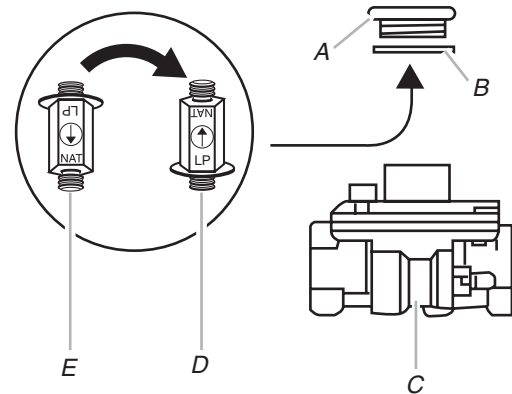


A. Gas pressure regulator

IMPORTANT: Do not remove the gas pressure regulator.

Gas pressure regulator

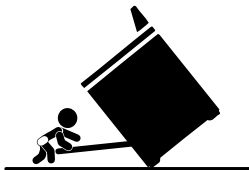
4. Remove the access cap by using a wrench, turning the access cap counterclockwise.
5. Remove spring retainer from the cap by pushing against the flat side of the spring retainer. Look at the spring retainer to locate the "NAT" or "LP" position.
6. Turn over the spring retainer so the "LP" is showing on the bottom.
7. Snap the spring retainer back into the cap.
8. Reinstall the cap onto the regulator.



- A. Access cap
- B. Gasket
- C. Gas pressure regulator
- D. Spring retainer LP position
- E. Spring retainer NAT position

LP Gas Conversion

⚠ WARNING



Tip Over Hazard

A child or adult can tip the range and be killed.

Connect wall anti-tip brackets to wall behind range.

Connect range anti-tip brackets to underside of range.

Re-engage the anti-tip brackets, if the range is moved.

See the installation instructions for details.

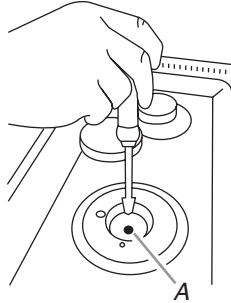
Failure to follow these instructions can result in death or serious burns to children and adults.

To Convert Gas Pressure Regulator

1. Turn manual shutoff valve to the "closed" position.

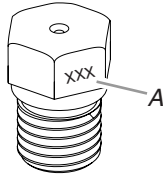
To Convert Standard Surface Burners

1. Remove burner cap.
2. Remove burner base.
3. Apply masking tape to the end of a 7.0 mm nut driver to help hold the gas orifice spud in the nut driver while changing it. Press nut driver down onto the gas orifice spud and remove by turning it counterclockwise and lifting out. Set gas orifice spud aside.



A. Orifice spud

4. Gas orifice spuds are stamped with a number on the side.



A. Stamped number

Refer to the following chart for correct LP gas orifice spud placement.

LP Gas Orifice Spud Chart for Standard Surface Burners

Burner Location	Burner Rating	Size
Right front	3,500 Btu/h	0.53 mm
Left front	6,000 Btu/h	0.73 mm
Center	11,000 Btu/h	1.00 mm
Right rear	6,000 Btu/h	0.73 mm
Left rear	10,000 Btu/h	0.93 mm

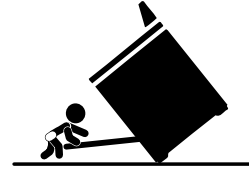
5. Place Natural gas orifice spuds in plastic parts bag for future use and keep with literature package.
6. Repeat steps 1-6 for the remaining burners.
7. Replace burner base, burner head and burner cap.
8. Place Natural gas orifice spuds in plastic parts bag for future use and keep with literature package.
9. Complete installation. See “Make Gas Connection” and “Electronic Ignition System” sections.

Checking for proper cooktop burner flames is very important. The small inner cone should have a very distinct blue flame $\frac{1}{4}$ " to $\frac{1}{2}$ " long. The outer cone is not as distinct as the inner cone. LP gas flames have a slightly yellow tip.

IMPORTANT: You may have to adjust the “LO” setting for each cooktop burner. See “Make Gas Connection” and “Electronic Ignition System” section.

Natural Gas Conversion

! WARNING



Tip Over Hazard

A child or adult can tip the range and be killed.

Connect wall anti-tip brackets to wall behind range.

Connect range anti-tip brackets to underside of range.

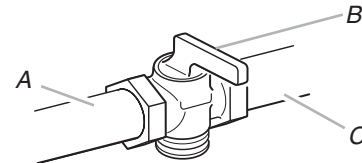
Re-engage the anti-tip brackets, if the range is moved.

See the installation instructions for details.

Failure to follow these instructions can result in death or serious burns to children and adults.

To Convert Gas Pressure Regulator

1. Turn manual shutoff valve to the “closed” position.
2. Unplug range or disconnect power.

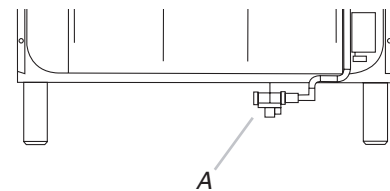


A. To range

B. Manual shutoff valve “closed” position

C. Gas supply line

3. Remove access cover from the gas pressure regulator.

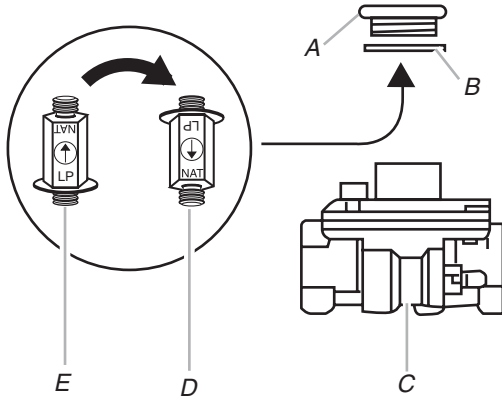


A. Gas pressure regulator

IMPORTANT: Do not remove the gas pressure regulator.

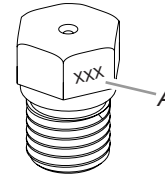
Gas pressure regulator

- Remove the access cap by using a wrench, turning the access cap counterclockwise.
- Remove spring retainer from the cap by pushing against the flat side of the spring retainer. Look at the spring retainer to locate the "LP" or "NAT" position.
- Turn over the spring retainer so the "NAT" is showing on the bottom.
- Snap the spring retainer back into the cap.
- Reinstall the cap onto the regulator.



- A. Access cap
 B. Gasket
 C. Gas pressure regulator
 D. Spring retainer NAT position
 E. Spring retainer LP position

- Gas orifice spuds are stamped with a number on the side. Replace the LP gas orifice spud with the correct Natural gas orifice spud.



A. Stamped number

Refer to the following chart for the correct Natural gas orifice spud placement.

Natural Gas Orifice Spud Chart for Standard Surface Burners

Burner Location	Burner Rating	Size
Right front	3,500 Btu/h	0.90 mm
Left front	6,000 Btu/h	1.20 mm
Center	11,000 Btu/h	1.55 mm
Right rear	6,000 Btu/h	1.20 mm
Left rear	10,000 Btu/h	1.50 mm

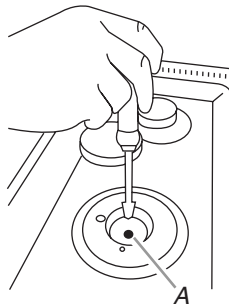
- Place LP gas orifice spuds in plastic parts bag for future use and keep with package containing literature.
- Repeat steps 1-6 for the remaining burners.
- Replace burner base, burner head and burner cap.
- Place LP gas orifice spuds in plastic parts bag for future use and keep with package containing literature.
- Complete installation. See "Make Gas Connection" and "Electronic Ignition System" sections.

Checking for proper cooktop burner flames is very important. Natural gas flames do not have yellow tips.

IMPORTANT: You may have to adjust the "LO" setting for each cooktop burner. See "Make Gas Connection" and "Electronic Ignition System" section.

To Convert Standard Surface Burners

- Remove burner cap.
- Remove burner base.
- Apply masking tape to the end of a 7 mm nut driver to help hold the gas orifice spud in the nut driver while changing it. Press nut driver down onto the gas orifice spud and remove by turning it counterclockwise and lifting out. Set gas orifice spud aside.



A. Orifice spud

SÉCURITÉ DE LA CUISINIÈRE

Votre sécurité et celle des autres est très importante.

Nous donnons de nombreux messages de sécurité importants dans ce manuel et sur votre appareil ménager. Assurez-vous de toujours lire tous les messages de sécurité et de vous y conformer.



Voici le symbole d'alerte de sécurité.

Ce symbole d'alerte de sécurité vous signale les dangers potentiels de décès et de blessures graves à vous et à d'autres.

Tous les messages de sécurité suivront le symbole d'alerte de sécurité et le mot "DANGER" ou "AVERTISSEMENT". Ces mots signifient :

⚠ DANGER

Risque possible de décès ou de blessure grave si vous ne suivez pas immédiatement les instructions.

⚠ AVERTISSEMENT

Risque possible de décès ou de blessure grave si vous ne suivez pas les instructions.

Tous les messages de sécurité vous diront quel est le danger potentiel et vous disent comment réduire le risque de blessure et ce qui peut se produire en cas de non-respect des instructions.

AVERTISSEMENT : Si les renseignements dans ce manuel ne sont pas exactement observés, un incendie ou une explosion peut survenir, causant des dommages au produit, des blessures ou un décès.

- Ne pas entreposer ni utiliser de l'essence ou d'autres vapeurs ou liquides inflammables à proximité de cet appareil ou de tout autre appareil électroménager.
- **QUE FAIRE DANS LE CAS D'UNE ODEUR DE GAZ :**
 - Ne pas tenter d'allumer un appareil.
 - Ne pas toucher à un commutateur électrique.
 - Ne pas utiliser le téléphone se trouvant sur les lieux.
 - Appeler immédiatement le fournisseur de gaz d'un téléphone voisin. Suivre ses instructions.
 - À défaut de joindre votre fournisseur de gaz, appeler les pompiers.
- L'installation et l'entretien doivent être effectués par un installateur qualifié, une agence de service ou le fournisseur de gaz.

AVERTISSEMENT : L'odorat ne permet pas toujours la détection d'une fuite de gaz.

Les distributeurs de gaz recommandent l'emploi d'un détecteur de gaz (homologation UL ou CSA).

Pour d'autre information, contacter le fournisseur de gaz local.

En cas de détection d'une fuite de gaz, exécuter les instructions "Que faut-il faire si une odeur de gaz est perceptible".

Dans l'État du Massachusetts, les instructions d'installation suivantes sont applicables :

- Les travaux d'installation et réparation doivent être exécutés par un plombier ou tuyauteur qualifié ou licencié, ou par le personnel qualifié d'une entreprise licenciée par l'État du Massachusetts.
- Si une vanne à boisseau sphérique est utilisée, elle doit comporter une manette "T".
- Si un conduit de raccordement flexible est utilisé, sa longueur ne doit pas dépasser 3 pi.

⚠ AVERTISSEMENT

Risque de basculement

Un enfant ou une personne adulte peut faire basculer la cuisinière, ce qui peut causer un décès.

Joindre les brides antibasculement au mur derrière la cuisinière.

Joindre les brides antibasculement sous la cuisinière.

Joindre de nouveau la bride antibasculement si la cuisinière est déplacée.

Voir les instructions d'installation pour plus de détails.

Le non-respect de ces instructions peut causer un décès ou des brûlures graves aux enfants et aux adultes.



EXIGENCES D'INSTALLATION

Outillage et pièces

Rassembler les outils et pièces nécessaires avant d'entreprendre l'installation. Lire et suivre les instructions fournies avec les outils indiqués ici.

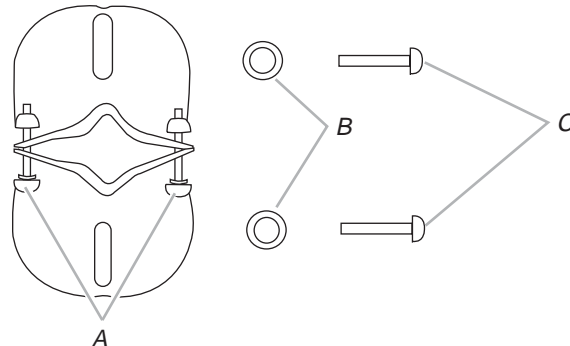
Outils nécessaires

- | | |
|-----------------------------------|--|
| ■ Mètre ruban | ■ Marqueur ou crayon |
| ■ Tournevis à lame plate | ■ Ruban adhésif de masquage |
| ■ Tournevis Phillips | ■ Composé d'étanchéité des raccords filetés - résistant au propane |
| ■ Niveau | ■ Solution non-corrosive de détection des fuites |
| ■ Perceuse manuelle ou électrique | |
| ■ Foret de 1/4" (pour mur) | Pour les conversions au gaz naturel ou au propane |
| ■ Marteau | ■ Clé mixte de 1/2" |
| ■ Clé ou pince | ■ Clé mixte de 7 mm |
| ■ Clé à tuyauterie | ■ Tourne-écrou de 7 mm |

Pièces fournies

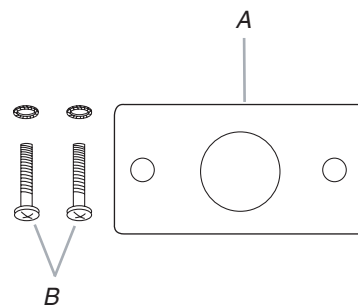
Vérifier que toutes les pièces sont présentes.

- Serre-câble homologué CSA (É.-U. uniquement)



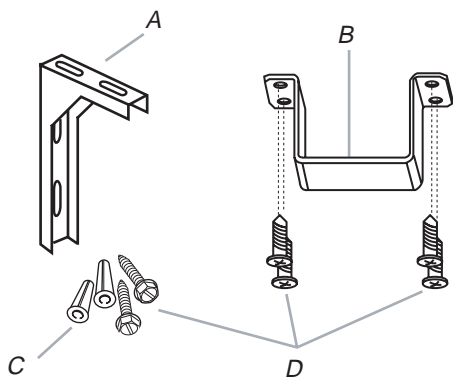
A. Vis du serre-câble
B. Rondelles
C. Vis de fixation

- Connecteur de conduit homologué CSA (É.-U. uniquement)



A. Connecteur de conduit
B. Vis de fixation du connecteur de conduit et rondelles

■ Installation de la bride antibasculement



A. Brides antibasculement murales (2)
 B. Brides antibasculement pour cuisinière (2)
 C. Chevilles d'ancrage murales en plastique (4)
 D. Vis (12)

Les brides antibasculement murales doivent être bien fixées sur le mur arrière et les brides antibasculement pour cuisinière doivent être bien scellées à la face interne de l'arrière de la cuisinière.

Pièces nécessaires

Vérifier les codes locaux et consulter le fournisseur de gaz. Vérifier l'alimentation en gaz et l'alimentation électrique existantes. Voir les sections "Spécifications électriques" et "Spécifications de l'alimentation en gaz".

Exigences d'emplacement

IMPORTANT : Respecter tous les codes et règlements en vigueur. Ne pas obstruer le flux de combustion et la ventilation.

- C'est à l'installateur qu'incombe la responsabilité de respecter les distances de séparation, spécifiées sur la plaque signalétique de l'appareil. La plaque signalétique est située à l'intérieur de la porte du four, sur le côté droit de la garniture de la porte.
- La cuisinière doit être installée à un endroit pratique dans la cuisine.
- Dans le cas d'une cuisinière encastrée, l'enceinte doit recouvrir complètement les côtés et l'arrière de la cuisinière.
- Afin de supprimer le risque de brûlures ou d'incendie en se penchant au-dessus des unités de surface chauffées, le rangement en armoire au-dessus des unités de chauffage doit être évité. Si le rangement en armoire est envisagé, le risque peut être réduit par l'installation d'une hotte de cuisine ou d'un ensemble hotte/micro-ondes opérant horizontalement sur un minimum de 5" (12,7 cm) au-delà du bas des placards.
- Toutes les ouvertures dans le mur ou le plancher de l'emplacement d'installation de la cuisinière doivent être scellées.
- Ne pas réaliser un scellement entre la cuisinière et les placards latéraux.

- Respecter les dimensions indiquées pour la cavité d'installation entre les placards. Ces dimensions tiennent compte des valeurs minimales des dégagements de séparation.
- La bride antibasculement murale (brides antibasculement murales et brides antibasculement pour la cuisinière) doit être installée. Pour l'installation de la bride antibasculement expédiée avec la cuisinière, voir les sections "Installation de la bride antibasculement" et "Installation des brides antibasculement murales".
- Une source d'électricité avec liaison à la terre est nécessaire. Voir la section "Spécifications électriques".
- Une source de gaz adéquate doit être disponible. Voir la section "Spécifications de l'alimentation en gaz".
- Contacter un installateur de revêtement de sol qualifié, qui pourra déterminer si le revêtement de sol peut résister à une température d'au moins 200°F (93°C).
- Dans le cas de l'installation de la cuisinière sur de la moquette, placer sous la cuisinière une plaque d'appui isolée, ou une plaque de contreplaqué de ¼" (0,64 cm).

IMPORTANT : Pour éviter que vos placards ne subissent tout dommage, consulter le constructeur ou le fabricant du placard pour déterminer si les matériaux utilisés ne subiront pas un changement de couleur, une déstratification ou d'autres dommages. Ce four a été conçu conformément aux exigences UL et aux normes de CSA International; il respecte la température maximale autorisée pour les placards en bois : 194°F (90°C).

Résidence mobile - Spécifications additionnelles à respecter lors de l'installation

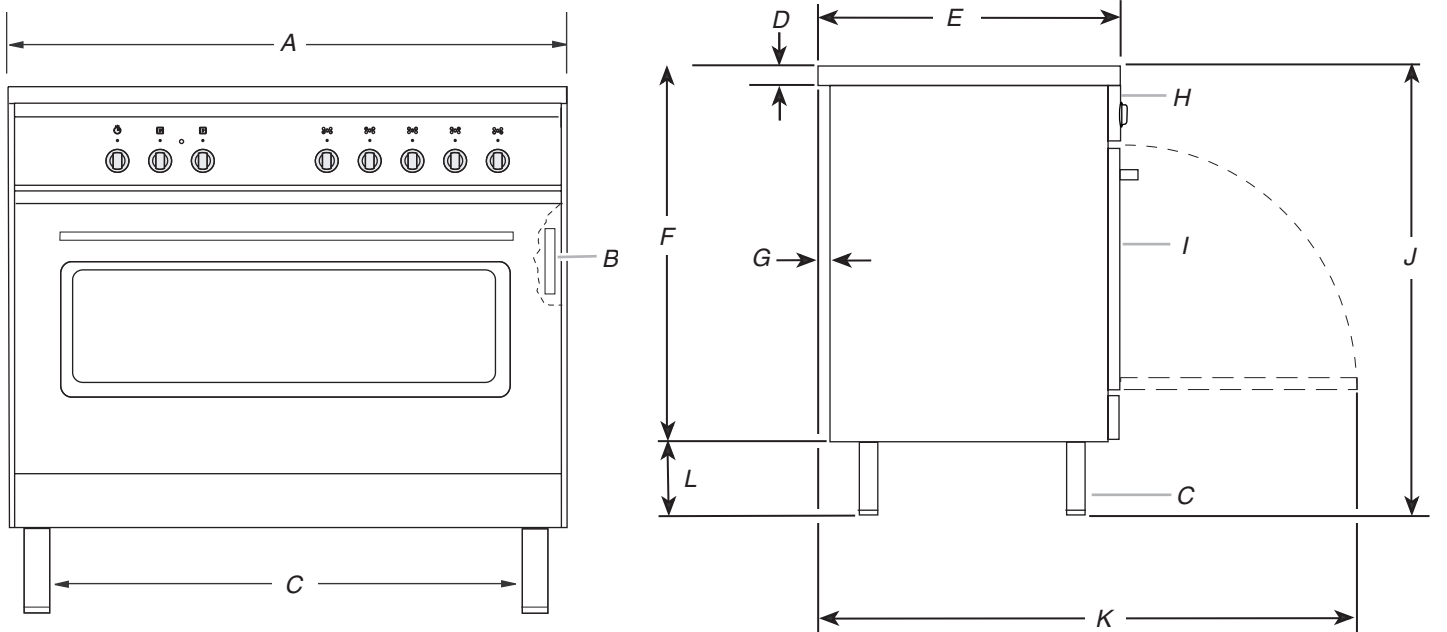
L'installation de cette cuisinière doit être conforme aux dispositions de la norme Manufactured Home Construction and Safety Standard, Title 24 CFR, Part 3280 (anciennement Federal Standard for Mobile Home Construction and Safety, Title 24, HUD Part 280). Lorsque cette norme n'est pas applicable, l'installation doit satisfaire aux critères de la norme Standard for Manufactured Home Installations, ANSI A225.1/NFPA 501A ou les dispositions des codes locaux.

Au Canada, l'installation de cette cuisinière doit satisfaire aux stipulations de la version la plus récente de la norme CAN/CSA-A240, ou des codes locaux en vigueur.

Autres critères à respecter pour une installation en résidence mobile :

- Dans le cas de l'installation de cette cuisinière dans une résidence mobile, la cuisinière doit être fixée au plancher durant tout déplacement du véhicule. Toute méthode de fixation de la cuisinière est adéquate dans la mesure où elle satisfait aux critères des normes mentionnées ci-dessus.
- Pour une installation en résidence mobile, un câble ou cordon d'alimentation à quatre fils doit être utilisé. Le câblage de l'appareil devra être revu. Voir la section "Spécifications de l'installation électrique".

Dimensions de l'appareil



A. 35¼" (89,5 cm)

B. Plaque des numéros de modèle et de série (située à l'intérieur de la porte du four, sur le côté droit de la garniture de la porte)

C. Pieds réglables de 5¼" min. à 9¼" max. (de 14,6 cm min. à 23,0 cm max.)

D. 1" (2,5 cm)
E. 23¾" (60,0 cm)

F. 29½" (75,0 cm)

G. 1⅝" (4,0 cm)

H. Panneau avant

I. Porte du four

J. De 35¼" à 37⅞" max. (de 89,5 cm à 96,2 cm max.)

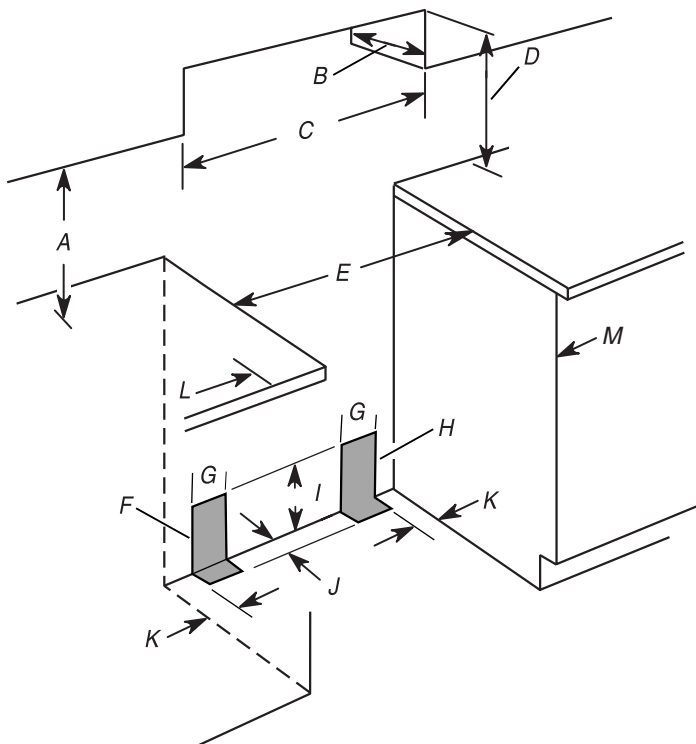
K. 40⅞" +/- ⅛" (103,0 cm +/- 2,5 mm)

L. De 5¼" min. à 9¼" max. (de 14,6 cm min. à 23 cm max.)

Dimensions du placard

Les dimensions de l'espace d'installation entre les placards sont valides pour l'installation entre des placards de 24" (61,0 cm) et plan de travail de profondeur de 25" (64,0 cm) et hauteur de 36" (91,4 cm).

IMPORTANT : En cas d'installation d'une hotte ou d'un ensemble hotte/micro-ondes au-dessus de la cuisinière, suivre les instructions fournies avec la hotte ou l'ensemble hotte/micro-ondes concernant les dimensions de dégagement à respecter au-dessus de la surface de la table de cuisson.



A. 18" (45,7 cm) entre le placard supérieur et le plan de travail

B. Profondeur des placards supérieurs : 13" (33,0 cm)

C. Largeur minimale de l'ouverture : 35½" (90,1 cm)

D. Pour la distance libre minimale vers la partie supérieure de la table de cuisson, voir REMARQUE.

E. Largeur minimale de l'ouverture : 35¼" (89,5 cm)

F. Installation de la canalisation de gaz rigide recommandée dans cette zone ombrée.

G. Zone de 8" (20,3 cm) disponible pour l'installation du gaz et de l'électricité.

H. Installation de la prise de courant ou du boîtier de raccordement électrique dans cette zone ombrée.

I. 7" (17,8 cm)

J. 1½" (3,8 cm)

K. 4½" (11,4 cm)

L. Égagement de 5" (12,7 cm) min. entre les deux côtés de la cuisinière et les parois latérales ou d'autres matériaux combustibles.

M. La porte ou charnière du placard ne doit pas dépasser à l'intérieur de l'ouverture.

REMARQUE : Distance de séparation de 24" (61,0 cm) ou plus lorsque le fond d'un placard de bois ou de métal est protégé par une planche ignifugée d'au moins ¼" (0,64 cm) recouverte d'une feuille métallique d'épaisseur égale ou supérieure à : acier calibre 28 MSG, acier inoxydable 0,015" (0,4 mm), aluminium 0,024" (0,6 mm), ou cuivre 0,020" (0,5 mm).

Distance de séparation de 30" (76,2 cm) ou plus entre le dessus de la table de cuisson et le fond d'un placard de bois ou de métal non protégé.

Spécifications de l'installation électrique

⚠ AVERTISSEMENT



Risque de choc électrique

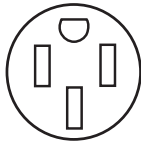
Relier la cuisinière à la terre.

Le non-respect de cette instruction peut causer un décès, un incendie ou un choc électrique.

Si le code en vigueur le permet et qu'un conducteur distinct de liaison à la terre est utilisé, on recommande qu'un électricien qualifié vérifie que la liaison à la terre et la taille du conducteur de liaison à la terre sont conformes aux prescriptions du code local. Vérifier que le raccordement à la source d'électricité et le calibre des conducteurs sont adéquats et conformes aux prescriptions de la plus récente édition de la norme CSA C22.1, partie 1 - Code canadien de l'électricité, et de tout code ou règlement local en vigueur.

On peut obtenir un exemplaire de la norme ci-dessus auprès de :
Canadian Standards Association
178 Rexdale Blvd.
Toronto, ON M9W 1R3 CANADA.

- En cas de doute quant à la qualité de la liaison à la terre de la cuisinière, consulter un électricien qualifié.
- Lorsqu'une source d'électricité monophasée de 120/240 volts, 60 Hz/4 conducteurs (CA uniquement) est disponible, le circuit doit comporter un dispositif de protection 50 A maximum (ou 40 A si la source d'électricité spécifiée sur la plaque signalétique est de 120/208 volts), fusionné aux deux extrémités de la ligne.
- On recommande l'emploi de fusibles temporisés ou disjoncteurs.
- Cette cuisinière est dotée d'un dispositif de branchement (homologation CSA International) destiné à être branché sur une prise de courant murale standard 14-50R. Veiller à ce que la prise de courant murale soit placée à portée de la position de service finale de la cuisinière.



- Ne pas utiliser de câble de rallonge.

Spécifications de l'alimentation en gaz

⚠ AVERTISSEMENT



Risque d'explosion

Utiliser une canalisation neuve d'arrivée de gaz approuvée par CSA International.

Installer un robinet d'arrêt.

Bien serrer chaque organe de connexion de la canalisation de gaz.

En cas de connexion au gaz propane, demander à une personne qualifiée de s'assurer que la pression de gaz ne dépasse pas 33 cm (13 po) de la colonne d'eau.

Par personne qualifiée, on comprend :

**le personnel autorisé de chauffage,
le personnel autorisé d'une compagnie de gaz, et
le personnel d'entretien autorisé.**

Le non-respect de ces instructions peut causer un décès, une explosion ou un incendie.

Observer toutes les prescriptions des codes et règlements en vigueur.

IMPORTANT : L'installation doit satisfaire aux critères de tous les codes et règlements locaux. En l'absence de code local, l'installation doit satisfaire aux prescriptions de la plus récente édition du code national en vigueur : National Fuel Gas Code ANSI Z223.1 (American National Standard), ou CAN/CGA B149.

IMPORTANT : La procédure de détection d'éventuelles fuites de gaz de la surface de cuisson de la cuisinière doit être exécutée conformément aux instructions du fabricant.

Type de gaz

Gaz naturel :

La conception de cette cuisinière a été homologuée par CSA International pour l'alimentation au gaz naturel, ou pour l'alimentation au propane après conversion adéquate.

- Cette cuisinière a été configurée à l'usine pour l'alimentation au gaz naturel. Voir la section "Conversions pour changement de gaz". La plaque signalétique des numéros de modèle et de série située à l'intérieur de la porte du four, sur le côté droit de la garniture de la porte contient des informations au sujet des types de gaz pouvant être utilisés. Si le type de gaz disponible n'est pas mentionné sur la plaque signalétique, consulter le fournisseur de gaz local.

Conversion pour l'alimentation au propane :

L'opération de conversion doit être exécutée par un technicien qualifié.

Consulter le fournisseur de gaz avant toute conversion de l'appareil pour l'utilisation d'un type de gaz qui n'est pas mentionné sur la plaque signalétique. Voir la section "Conversions pour changement de gaz".

Canalisation de gaz

- Installer une canalisation de gaz rigide de $\frac{3}{4}$ " (1,9 cm) jusqu'à l'emplacement d'installation de la cuisinière. L'emploi d'une canalisation de plus petit diamètre sur une plus grande longueur peut susciter une déficience du débit d'alimentation. On doit utiliser un composé d'étanchéité des tuyauteries résistant à l'action du gaz propane. Ne pas utiliser de ruban TEFLON®†. Pour l'alimentation au propane, le diamètre des canalisations et tubes doit être de $\frac{1}{2}$ " (1,3 cm) ou plus. En général, le fournisseur de gaz propane détermine les matériaux à utiliser et le diamètre approprié.

Raccord métallique flexible :

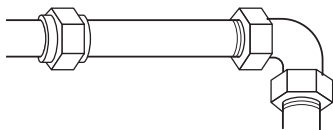
- Si le code local le permet, on peut utiliser pour raccorder la cuisinière à la canalisation de gaz un raccord métallique flexible neuf (homologation CSA) de 4 - 5 pi (122 - 152,4 cm) de longueur, de diamètre interne de $\frac{1}{2}$ " (1,3 cm) ou $\frac{3}{4}$ " (1,9 cm).



- Un raccord avec filetage mâle de $\frac{1}{2}$ " (1,3 cm) est nécessaire pour la connexion sur le raccord à filetage femelle à l'entrée du détendeur de l'appareil.
- Veiller à ne pas déformer/écraser/endommager le tube métallique flexible lors d'un déplacement de la cuisinière.

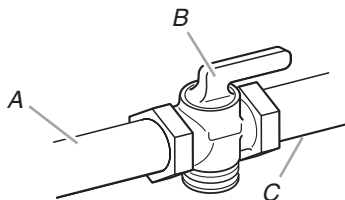
Raccordement par un ensemble rigide :

On doit utiliser une combinaison de raccords pour réaliser un raccordement rigide entre la cuisinière et la canalisation de gaz. Le tuyau rigide doit se trouver au même niveau que le raccord de connexion de la cuisinière. On doit veiller à ne soumettre les sections de canalisation d'alimentation à aucun effort de traction ou flexion, pour que la cuisinière soit d'aplomb et correctement alignée.



- Robinet d'arrêt manuel nécessaire :

La canalisation d'alimentation doit comporter un robinet d'arrêt manuel. Le robinet d'arrêt manuel doit être séparé de la cuisinière, mais doit se trouver dans la même pièce en un endroit où il sera facilement accessible pour les manoeuvres d'ouverture/fermeture. Ne pas entraver l'accès au robinet d'arrêt manuel. Le robinet d'arrêt manuel est prévu pour ouvrir ou fermer l'alimentation en gaz de la cuisinière.



- A. Canalisation de gaz
- B. Robinet d'arrêt manuel - position d'ouverture
- C. Vers la cuisinière

Détendeur de gaz

Le détendeur fourni avec cette cuisinière doit être utilisé. Pour un fonctionnement correct, la pression d'alimentation du détendeur doit être comme suit :

Gaz naturel :

Pression minimum : 5" (12,7 cm) (colonne d'eau)

Pression maximum : 13" (35,6 cm) (colonne d'eau)

Gaz propane :

Pression minimum : 11" (27,9 cm) (colonne d'eau)

Pression maximum : 13" (35,6 cm) (colonne d'eau)

En cas d'incertitude quant à la pression d'alimentation à établir, contacter le fournisseur de gaz local.

Débit thermique des brûleurs - Altitude

Les débits thermiques indiqués sur la plaque signalétique correspondent à une altitude d'utilisation inférieure à 2000 pi (609,6 m).

Lorsque l'appareil est utilisé à une altitude supérieure à 2000 pi (609,6 m), on doit réduire le débit thermique indiqué de 4 % pour chaque tranche de 1000 pi (304,8 m) au-dessus du niveau de la mer.

Tests de pressurisation de la canalisation de gaz

Pressurisation à une pression supérieure à $\frac{1}{2}$ lb/po² (13" - colonne d'eau)

Lors de tout test de pressurisation de ce système à une pression supérieure à $\frac{1}{2}$ lb/po² (3,5 kPa), on doit déconnecter l'appareil et son robinet d'arrêt individuel de la canalisation de gaz.

Pressurisation à une pression relative de $\frac{1}{2}$ lb/po² (13" - colonne d'eau) ou moins

Lors de tout test de pressurisation de la canalisation de gaz à une pression égale ou inférieure à $\frac{1}{2}$ lb/po² (3,5 kPa), on doit isoler l'appareil de la canalisation de gaz par fermeture de son robinet d'arrêt manuel individuel.

INSTRUCTIONS D'INSTALLATION

Déballage de la cuisinière

⚠ AVERTISSEMENT

Risque du poids excessif

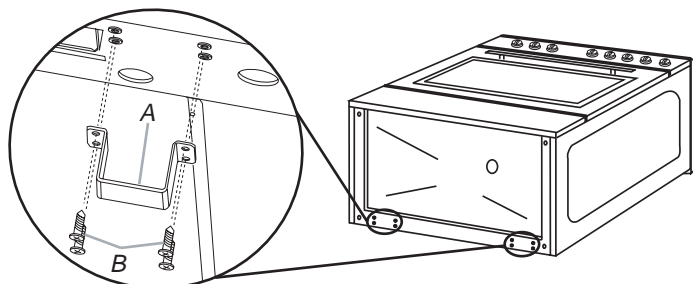
Utiliser deux ou plus de personnes pour déplacer et installer la cuisinière.

Le non-respect de cette instruction peut causer une blessure au dos ou d'autre blessure.

1. Ôter les matériaux d'emballage, le ruban adhésif et le film protecteur de la cuisinière. Retirer les grilles de four et le sachet de pièces de l'intérieur du four.
2. Il y a au sommet de l'emballage une plaque de polystyrène, placer celle-ci sur le sol derrière la cuisinière pour la protection du plancher et de la cuisinière lorsque la cuisinière sera en appui sur la face arrière. À l'aide d'au moins une autre personne, saisir fermement la cuisinière pour la faire basculer avec précaution et placer la face arrière en appui sur la plaque de polystyrène.

Installation des brides antibasculement pour cuisinière

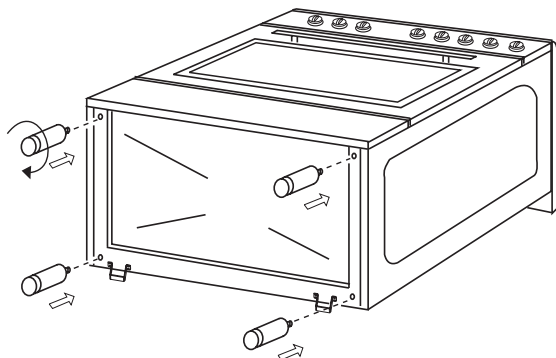
1. Utiliser les 8 vis fournies pour fixer solidement les brides antibasculement pour cuisinière dans chaque angle arrière de la cuisinière.



A. Brides antibasculement pour cuisinière (2)
B. 8 vis (4 par brides)

Installation des pieds de réglage de l'aplomb

1. Retirer les 4 pieds de réglage de l'aplomb du sachet de pièces.
2. Pour fixer les pieds de réglage, visser dans le sens des aiguilles d'une montre un pied dans le trou fileté situé dans chaque angle sous la cuisinière.

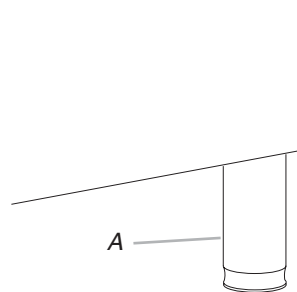


Réglage de la hauteur des pieds

1. Si un réglage de la hauteur de la cuisinière est nécessaire, ajuster manuellement les manchons de pieds de nivellement pour desserrer les 4 pieds de réglage de l'aplomb.

Les pieds de réglage de l'aplomb peuvent être desserrés pour gagner jusqu'à un maximum de 5 $\frac{3}{4}$ " (14,6 cm) de hauteur.

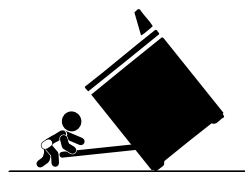
Ceci doit être effectué alors que la cuisinière repose sur sa partie postérieure ou qu'elle est supportée par 2 pieds après avoir été replacée en position verticale.



A. Manchons de pieds de nivellement

REMARQUE : Pour placer à nouveau la cuisinière en position verticale, placer un carton ou un panneau de fibres dur devant la cuisinière. Avec l'aide d'au moins une autre personne, relever la cuisinière et la placer sur le carton ou le panneau de fibres dur.

⚠ AVERTISSEMENT



Risque de basculement

Un enfant ou une personne adulte peut faire basculer la cuisinière, ce qui peut causer un décès.

Joindre les brides antibasculement au mur derrière la cuisinière.

Joindre les brides antibasculement sous la cuisinière.

Joindre de nouveau la bride antibasculement si la cuisinière est déplacée.

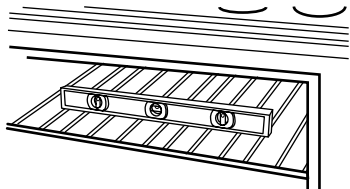
Voir les instructions d'installation pour plus de détails.

Le non-respect de ces instructions peut causer un décès ou des brûlures graves aux enfants et aux adultes.

2. Lorsque la cuisinière est à la hauteur souhaitée, vérifier qu'il y a un espace suffisant entre la cuisinière et le mur pour loger les brides antibasculement. Avant de faire glisser la cuisinière à son emplacement final, installer les brides antibasculement.

Réglage de l'aplomb de la cuisinière

1. Placer une grille dans le four.
2. Placer un niveau sur la grille et contrôler l'aplomb, d'abord transversalement, puis dans le sens avant/arrière.



3. Si la cuisinière n'est pas parfaitement d'aplomb, tirer la cuisinière vers l'avant.
4. Ajuster manuellement les pieds de nivellement vers le haut ou vers le bas. Tourner les manchons des pieds de nivellement pour mettre la cuisinière d'aplomb et pour soulever ou abaisser la cuisinière à la hauteur du plan de travail désirée.

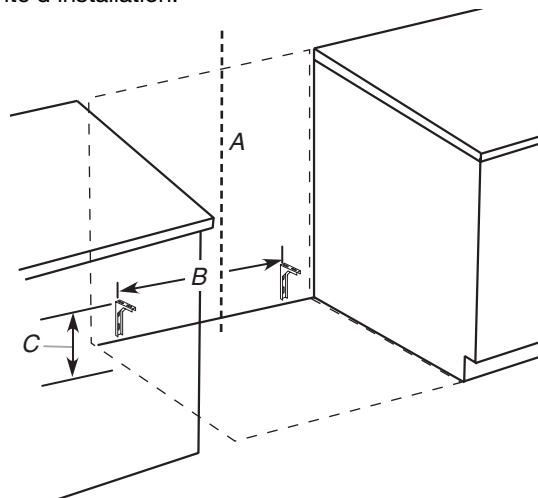
REMARQUE : La cuisinière doit être d'aplomb pour pouvoir obtenir des résultats de cuisson satisfaisants.

5. Poursuivre l'installation de la cuisinière en utilisant les instructions d'installation suivantes.

Installation des brides antibasculement murales

Avant de déplacer la cuisinière, la faire glisser sur sa base d'expédition, un carton ou un panneau de fibres dur.

1. Utiliser un mètre ruban pour les mesures et tracer l'axe vertical sur le mur arrière de la cavité d'installation. Utiliser les dimensions indiquées ci-dessous pour déterminer la position des brides antibasculement murales sur le mur arrière de la cavité d'installation.

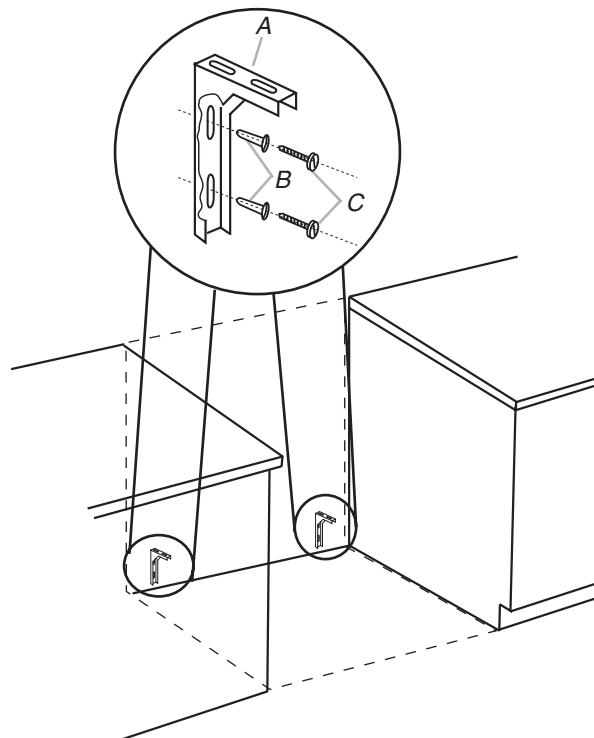


A. Axe central

B. 27½" (70,0 cm)

C. Déterminer la distance entre le bas des brides antibasculement pour cuisinière et le plancher et ajouter ⅝" (16 mm).

2. Mesurer la distance entre le bas des brides antibasculement pour cuisinière et le plancher; ajouter ⅝" (16 mm) à cette valeur; marquer la position correspondante sur le mur arrière de la cavité d'installation.
3. Mesurer une distance de 13⅝" (34,6 cm) à droite et à gauche de l'axe vertical (A) tracé à l'étape 1; marquer les points d'intersection; ceci déterminera l'emplacement du sommet de chaque bride.
4. Fixer solidement chaque bride antibasculement murale sur le mur arrière de la cavité d'installation; utiliser les chevilles d'ancrage murales et les vis fournies.



A. Brides antibasculement murales

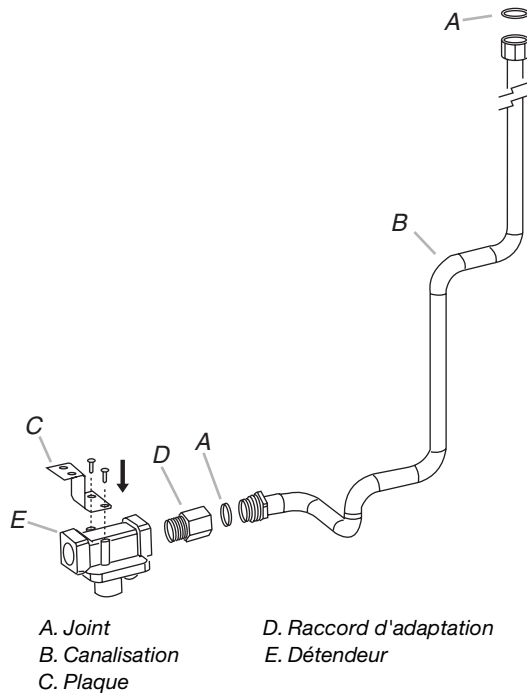
B. Chevilles d'ancrage murales

C. Vis de fixation

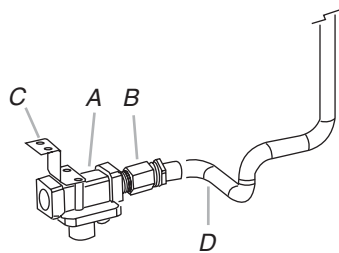
5. Approcher la cuisinière du mur suffisamment pour pouvoir effectuer les raccordements électriques finaux. Retirer la base d'expédition, le carton ou le panneau de fibres dur de sous la cuisinière.

Raccordement au gaz

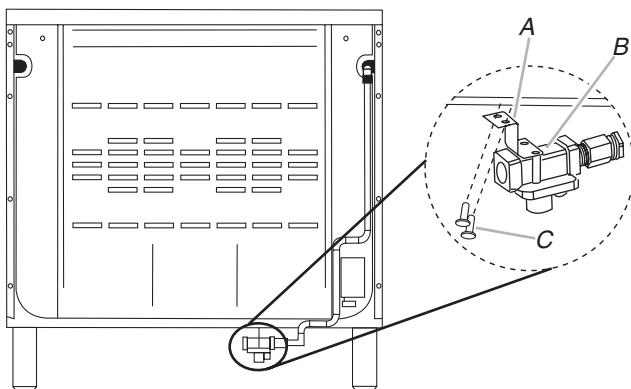
Le détendeur est fourni avec l'ensemble Raccordement au circuit de distribution de gaz. Vérifier que toutes les pièces sont présentes.



1. Effectuer le raccordement entre le détendeur et la canalisation; utiliser le raccord d'adaptation.



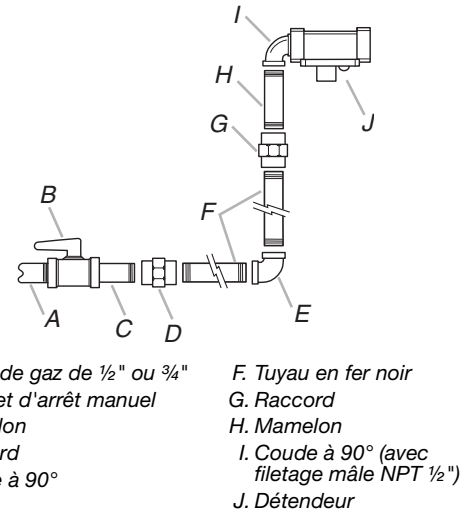
2. Fixer solidement la canalisation et la plaque sous la cuisinière; utiliser les vis fournies.



Raccordement typique à une canalisation rigide

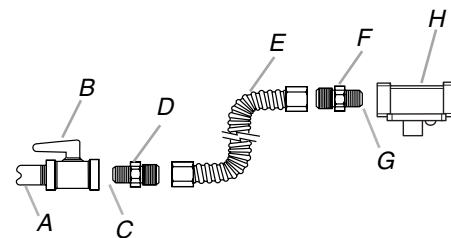
On doit utiliser une combinaison de raccords pour raccorder la cuisinière à la canalisation de gaz existante. La configuration de la connexion sera variable, selon les caractéristiques de la canalisation d'alimentation (type, taille et position).

1. Sur chaque connexion fileté, appliquer un composé d'étanchéité résistant au propane.
2. Utiliser une clé pour serrer tous les raccords entre la cuisinière et la canalisation de gaz.



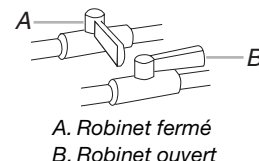
Raccordement typique par raccord flexible

1. Appliquer un composé d'étanchéité des filetages résistant au propane sur l'extrémité fileté la plus petite des adaptateurs de raccord flexible (voir C et G dans l'illustration ci-dessous).
2. Fixer un raccord d'adaptation sur le détendeur et l'autre raccord d'adaptation sur le robinet d'arrêt de la canalisation de gaz. Serrer les deux raccords d'adaptation.
3. Utiliser une clé mixte de 15/16" et une pince multiprise pour fixer le raccord flexible sur les raccords d'adaptation. Veiller à ne pas déformer/écraser le raccord.

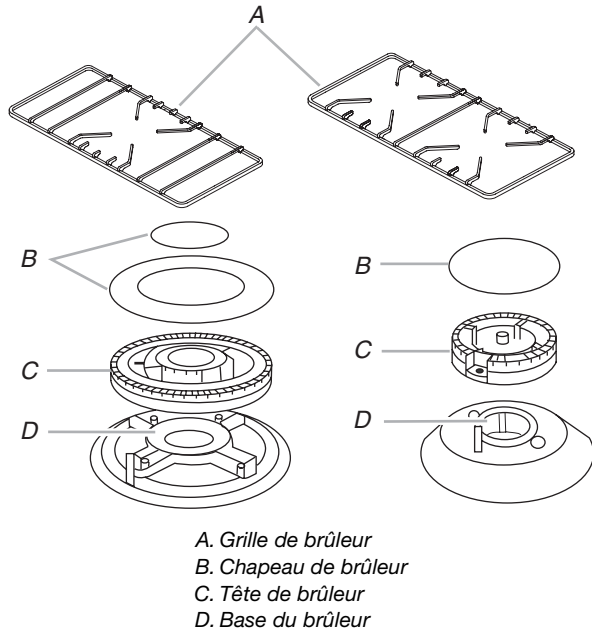


Compléter le raccordement

1. Ouvrir le robinet d'arrêt manuel sur la canalisation de gaz. Le robinet est ouvert lorsque la manette est parallèle à la canalisation de gaz.



- Vérifier tous les raccords en les badigeonnant d'une solution de détection des fuites non corrosive approuvée. L'apparition de bulles indique une fuite. Réparer toute fuite éventuelle.
- Ôter les chapeaux et grilles de brûleur de la table de cuisson du sachet de pièces. Aligner les encoches des chapeaux de brûleur avec les broches dans la base de chaque brûleur. Un chapeau de brûleur correctement placé doit être horizontal. Si le chapeau de brûleur n'est pas correctement placé, le brûleur ne peut s'allumer. Placer les grilles de brûleur au-dessus des brûleurs et des chapeaux.



- Brancher la cuisinière ou reconnecter la source de courant électrique. Pour plus de renseignements, consulter les instructions pour l'utilisateur dans le Guide d'utilisation et d'entretien.
- Déplacer la cuisinière à son emplacement final. Vérifier le bon engagement des brides antibasculement.

Système d'allumage électronique

Allumer un brûleur de surface

Enfoncer et tourner chaque bouton de commande de la table de cuisson à la position "LITE" (allumage). Une étincelle allumera automatiquement le brûleur.

Contrôle du fonctionnement des brûleurs de surface

Enfoncer et tourner les boutons de commande des brûleurs de surface à la position "LITE".

Le gaz doit s'enflammer sur le brûleur de surface en moins de 4 secondes. Lors de l'allumage initial du brûleur de surface, le délai d'allumage peut être supérieur à 4 secondes du fait de la présence d'air dans la canalisation de gaz.

Vérifier que la flamme est bleue à la position "HI". Elle doit être propre et douce. On ne doit pas observer de pointe jaune, ni d'effet de soufflage ou de séparation entre les flammes et le brûleur. Il est normal d'observer parfois des éclairs oranges; ceci est dû à différents éléments dans l'air ou le gaz.

Après avoir vérifié le bon fonctionnement du brûleur, tourner les boutons de commande à "OFF" (arrêt).

Si le brûleur ne s'allume pas correctement :

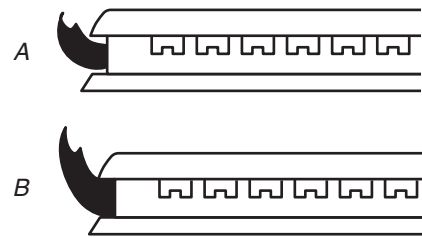
- Ramener le bouton de commande du brûleur de surface à la position "OFF".
- Vérifier que le cordon d'alimentation est branché et correctement alimenté (fusible grillé? disjoncteur déclenché?)
- Vérifier que chaque robinet d'arrêt est ouvert.
- Vérifier que le chapeau de brûleur est correctement placé sur la base du brûleur.

S'assurer à nouveau du bon fonctionnement des brûleurs. Si à ce stade un brûleur ne s'allume pas, contacter le revendeur ou un réparateur agréé.

Réglage de la taille des flammes

Régler la taille des flammes sur les brûleurs de surface.

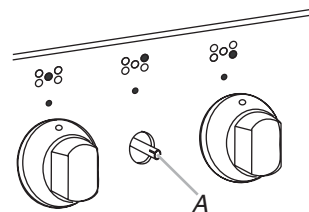
Pour le réglage au débit thermique minimum, on doit observer des flammes stables bleues d'environ 1/4" (0,64 cm) de hauteur.



A. Débit thermique minimum
B. Débit thermique maximum

S'il est nécessaire de régler la taille des flammes pour le débit thermique minimum :

La vis de réglage au centre de la tige de commande du robinet permet de régler la taille des flammes. La tige de commande est située directement en dessous du bouton de commande.



A. Vis de réglage

- Ôter le bouton de commande.
- Immobiliser la tige de commande avec une pince. Utiliser un petit tournevis à lame plate pour faire tourner la vis située au centre de la tige de commande; ajuster les flammes à la taille désirée.
- Réinstaller le bouton de commande.
- Tester le fonctionnement du brûleur : faire passer le bouton de commande de la position "LO" (basse) à la position "HI" (élevée) et observer les flammes pour chaque réglage.

Achever l'installation

- Vérifier que toutes les pièces sont maintenant installées. S'il reste une pièce, passer en revue les différentes étapes pour découvrir laquelle aurait été oubliée.
- Vérifier la présence de tous les outils.
- Jeter ou recycler tous les matériaux d'emballage.
- Vérifier que la cuisinière est d'aplomb. Voir "Réglage de l'aplomb de la cuisinière".

5. Utiliser une solution d'eau tiède et de nettoyant ménager doux pour éliminer tout résidu de cire laissé par les matériaux de protection de l'emballage. Sécher parfaitement avec un linge doux. Pour plus d'informations, consulter la section "Entretien de la cuisinière" dans le Guide d'utilisation et d'entretien.
6. Lire la section "Utilisation de la cuisinière" dans le Guide d'utilisation et d'entretien.
7. Mettre en marche les brûleurs de surface et le four. Pour des instructions spécifiques concernant l'utilisation de la cuisinière, consulter le Guide d'utilisation et d'entretien.

Si la cuisinière ne fonctionne pas, contrôler ce qui suit :

- Fusible grillé ou desserré? Disjoncteur ouvert?
- Robinets de gaz à la position "open" (ouverture)?
- Si le robinet d'arrêt d'alimentation en gaz est ouvert, appuyer sur le bouton OFF (arrêt) sur le tableau de commande du four et contacter un électricien qualifié.
- Prise de courant correctement alimentée?
- Consulter la section "Dépannage" dans le Guide d'utilisation et d'entretien.

Après 5 minutes de fonctionnement de la cuisinière, vérifier la chaleur. Si la cuisinière est froide, l'éteindre et contacter un technicien qualifié.

CONVERSIONS POUR CHANGEMENT DE GAZ

Les conversions pour changement de gaz naturel à propane ou de propane à gaz naturel doivent être effectuées par un installateur qualifié.

⚠ AVERTISSEMENT



Risque d'explosion

Utiliser une canalisation neuve d'arrivée de gaz approuvée par CSA International.

Installer un robinet d'arrêt.

Bien serrer chaque organe de connexion de la canalisation de gaz.

En cas de connexion au gaz propane, demander à une personne qualifiée de s'assurer que la pression de gaz ne dépasse pas 33 cm (13 po) de la colonne d'eau.

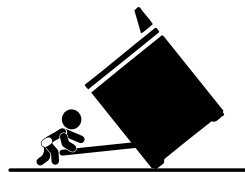
Par personne qualifiée, on comprend :

le personnel autorisé de chauffage,
le personnel autorisé d'une compagnie de gaz, et
le personnel d'entretien autorisé.

Le non-respect de ces instructions peut causer un décès, un explosion ou un incendie.

Conversion pour l'alimentation au propane

⚠ AVERTISSEMENT



Risque de basculement

Un enfant ou une personne adulte peut faire basculer la cuisinière, ce qui peut causer un décès.

Joindre les brides antibasculement au mur derrière la cuisinière.

Joindre les brides antibasculement sous la cuisinière.

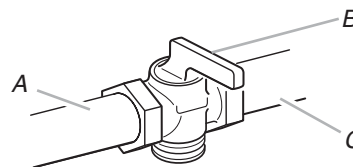
Joindre de nouveau la bride antibasculement si la cuisinière est déplacée.

Voir les instructions d'installation pour plus de détails.

Le non-respect de ces instructions peut causer un décès ou des brûlures graves aux enfants et aux adultes.

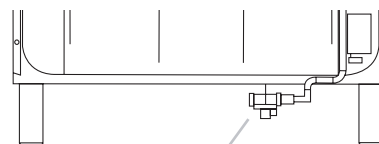
Conversion du détendeur

1. Tourner le robinet d'arrêt manuel à la position "fermée".
2. Débrancher la cuisinière ou déconnecter la source de courant électrique.



A. Vers la cuisinière
B. Robinet d'arrêt manuel (position de fermeture)
C. Canalisation de gaz

3. Ôter le couvercle d'accès du détendeur.



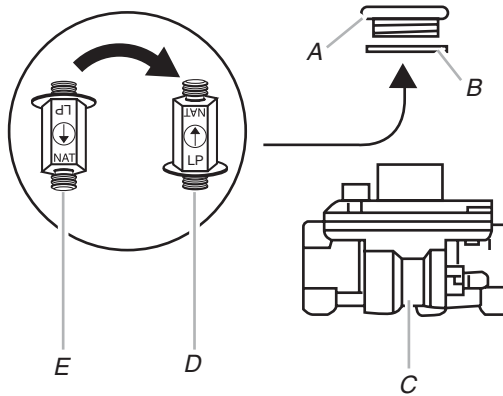
A. Détendeur

IMPORTANT : Ne pas enlever le détendeur.

Détendeur

4. Utiliser une clé pour enlever le chapeau de l'ouverture d'accès; faire tourner le chapeau dans le sens antihoraire.
5. Ôter le ressort de retenue qui se trouve sous le chapeau - pousser contre le côté plat du ressort de retenue. Examiner le ressort de retenue pour identifier la position "NAT" ou "LP".
6. Orienter correctement le ressort de retenue pour que la mention "LP" soit au fond.
7. Réinstaller le ressort de retenue dans le chapeau.

- Réinstaller le chapeau sur le détendeur.



A. Chapeau de l'ouverture d'accès
 B. Joint d'étanchéité
 C. Détendeur
 D. Ressort de retenue - position LP
 E. Ressort de retenue - position NAT

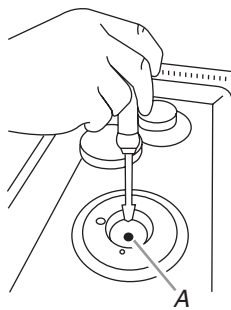
- Placer les gicleurs pour gaz naturel dans le sachet de pièces en plastique et avec les documents fournis avec l'appareil, pour pouvoir les réutiliser ultérieurement.
- Répéter les étapes 1 à 6 pour les autres brûleurs.
- Réinstaller le brûleur, la tête et le chapeau du brûleur.
- Placer les gicleurs pour gaz naturel dans le sachet de pièces en plastique et avec les documents fournis avec l'appareil, pour pouvoir les réutiliser ultérieurement.
- Achever l'installation. Voir les sections "Raccordement au gaz" et "Système d'allumage électronique".

Il est très important de vérifier l'établissement de flammes correctes sur les brûleurs de la table de cuisson. Il doit y avoir un petit cône interne bleu distinct de 1/4" à 1/2" de long. La partie externe des flammes n'est pas aussi distincte que le cône interne. Les flammes d'un brûleur alimenté au propane comportent une pointe légèrement jaune.

IMPORTANT : Il peut être nécessaire de modifier le réglage des flammes à la position du débit thermique minimum pour chaque brûleur de la table de cuisson. Voir les sections "Raccordement au gaz" et "Système d'allumage électronique".

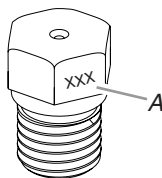
Conversion des brûleurs standard de la table de cuisson

- Ôter le chapeau de brûleur.
- Ôter la base du brûleur.
- Appliquer du ruban adhésif de masquage à l'extrémité d'un tourne-écrou de 7 mm pour retenir le gicleur du brûleur dans le tourne-écrou durant l'extraction. Placer le tourne-écrou sur le gicleur; faire tourner dans le sens antihoraire et soulever pour enlever le gicleur. Conserver à part le gicleur du brûleur.



A. Gicleur

- Chaque gicleur est marqué d'un code d'identification gravé sur le côté.



A. Chiffre gravé

Le tableau qui suit permet de sélectionner le gicleur pour propane approprié à chaque brûleur.

Gicleurs pour propane, pour brûleurs standard de la table de cuisson

Position du brûleur	Puissance thermique	Taille
Avant droit	3 500 BTU/h	0,53 mm
Avant gauche	6 000 BTU/h	0,73 mm
Centre	11 000 BTU/h	1 mm
Arrière droit	6 000 BTU/h	0,73 mm
Arrière gauche	10 000 BTU/h	0,93 mm

Conversion pour l'alimentation au gaz naturel

⚠ AVERTISSEMENT



Risque de basculement

Un enfant ou une personne adulte peut faire basculer la cuisinière, ce qui peut causer un décès.

Joindre les brides antibasculement au mur derrière la cuisinière.

Joindre les brides antibasculement sous la cuisinière.

Joindre de nouveau la bride antibasculement si la cuisinière est déplacée.

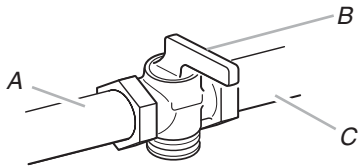
Voir les instructions d'installation pour plus de détails.

Le non-respect de ces instructions peut causer un décès ou des brûlures graves aux enfants et aux adultes.

Conversion du détendeur

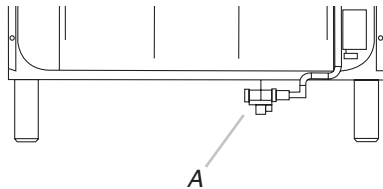
- Tourner le robinet d'arrêt manuel à la position "fermée".

- Débrancher la cuisinière ou déconnecter la source de courant électrique.



A. Vers la cuisinière
B. Robinet d'arrêt manuel (position de fermeture)
C. Canalisation de gaz

- Ôter le couvercle d'accès du détendeur.

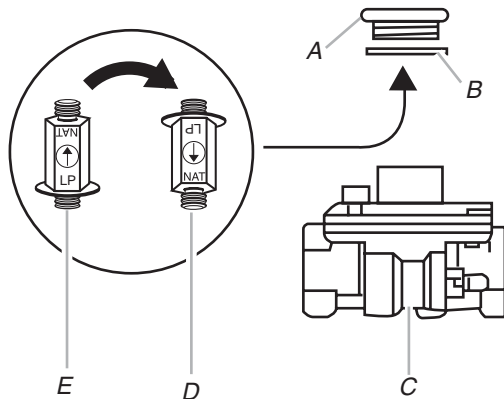


A. Détendeur

IMPORTANT : Ne pas enlever le détendeur.

Détendeur

- Utiliser une clé pour enlever le chapeau de l'ouverture d'accès; faire tourner le chapeau dans le sens antihoraire.
- Ôter le ressort de retenue qui se trouve sous le chapeau - pousser contre le côté plat du ressort de retenue. Examiner le ressort de retenue pour identifier la position "LP" ou "NAT".
- Orienter correctement le ressort de retenue pour que la mention "NAT" soit au fond.
- Réinstaller le ressort de retenue dans le chapeau.
- Réinstaller le chapeau sur le détendeur.

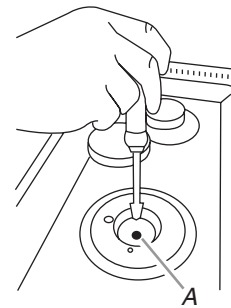


A. Chapeau de l'ouverture d'accès
B. Joint d'étanchéité
C. Détendeur
D. Ressort de retenue - position NAT
E. Ressort de retenue - position LP

Conversion des brûleurs standard de la table de cuisson

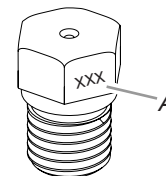
- Ôter le chapeau du brûleur.
- Ôter la base du brûleur.

- Appliquer du ruban adhésif de masquage à l'extrémité d'un tourne-écrou de 7 mm pour retenir le gicleur du brûleur dans le tourne-écrou durant l'extraction. Placer le tourne-écrou sur le gicleur; faire tourner dans le sens antihoraire et soulever pour enlever le gicleur. Mettre celui-ci de côté.



A. Gicleur

- Chaque gicleur est marqué d'un code d'identification gravé sur le côté. Remplacer le gicleur pour propane par le gicleur correct pour gaz naturel.



A. Chiffre gravé

Le tableau qui suit permet de sélectionner le gicleur pour gaz naturel approprié à chaque brûleur.

Gicleurs pour gaz naturel, pour brûleurs standard de la table de cuisson

Position du brûleur	Puissance thermique	Taille
Avant droit	3 500 BTU/h	0,90 mm
Avant gauche	6 000 BTU/h	1,20 mm
Centre	11 000 BTU/h	1,55 mm
Arrière droit	6 000 BTU/h	1,20 mm
Arrière gauche	10 000 BTU/h	1,50 mm

- Placer les gicleurs pour propane dans le sachet de pièces en plastique et avec les documents fournis avec l'appareil, pour pouvoir les réutiliser ultérieurement.
- Répéter les étapes 1 à 6 pour les autres brûleurs.
- Réinstaller la base, la tête et le chapeau du brûleur.
- Placer les gicleurs pour propane dans le sachet de pièces en plastique et avec les documents fournis avec l'appareil, pour pouvoir les réutiliser ultérieurement.
- Achever l'installation. Voir les sections "Raccordement au gaz" et "Système d'allumage électronique".

Il est très important de vérifier l'établissement de flammes correctes sur les brûleurs de la table de cuisson. Les flammes d'un brûleur alimenté au gaz naturel ne comportent pas de pointe jaune.

IMPORTANT : Il peut être nécessaire de modifier le réglage des flammes à la position du débit thermique minimum pour chaque brûleur de la table de cuisson. Voir les sections "Raccordement au gaz" et "Système d'allumage électronique".

501961066054C

© 2008.
All rights reserved.
Tous droits réservés.

© IKEA is a registered trademark of Inter-Ikea Systems B.V.
© IKEA est une marque déposée de Inter-Ikea Systems B.V.

2/08
Printed in Italy
Imprimé en Italie