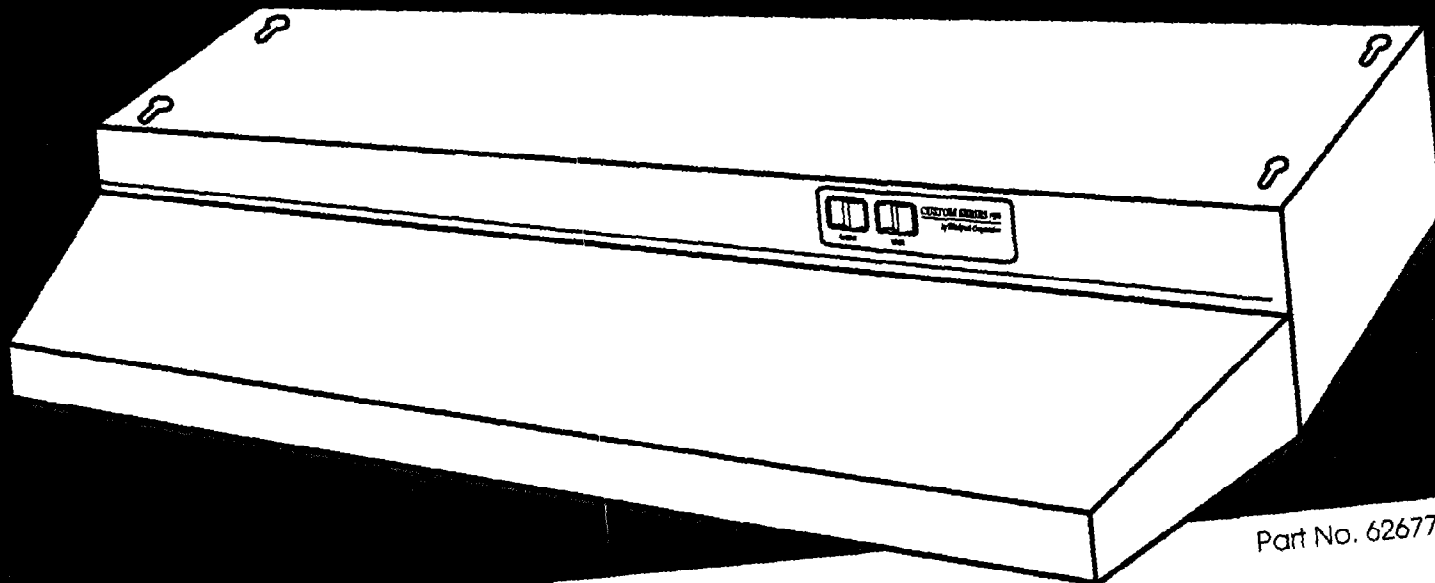


# Installation Instructions



Part No. 626773/883303

**IMPORTANT:**  
Read and save  
these instructions.

**IMPORTANT:**  
**Installer:** Leave Installation Instructions  
with homeowner.  
**Homeowner:** Keep Installation Instructions  
for future reference.  
**Save** Installation Instructions for electrical  
inspector's use.

**30" Vented  
Custom Series  
Range Hood**

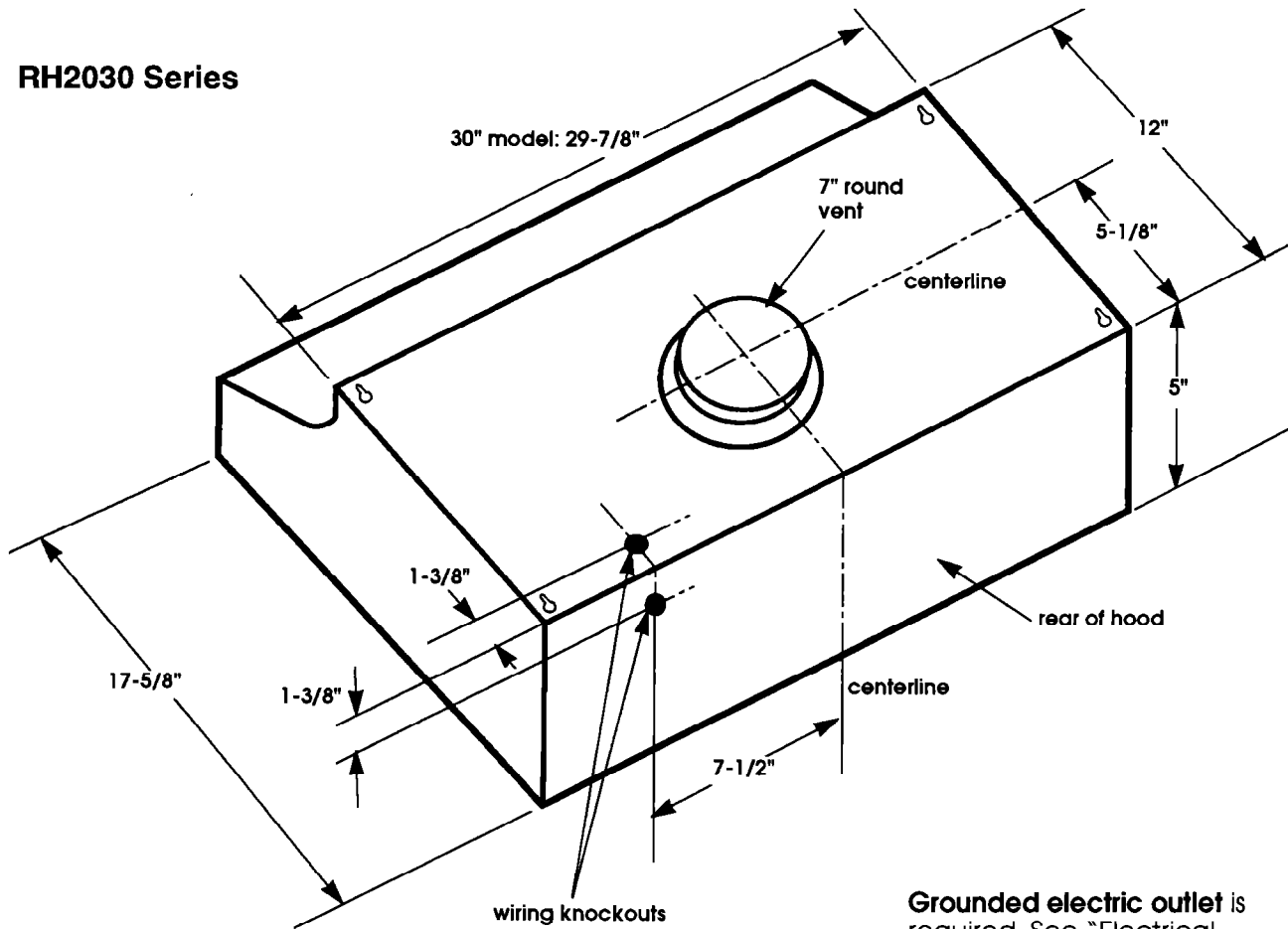
11/95

## Before you start...

Proper installation is your responsibility. Make sure you have everything necessary for correct installation. It is the responsibility of the installer to comply with the clearances specified.

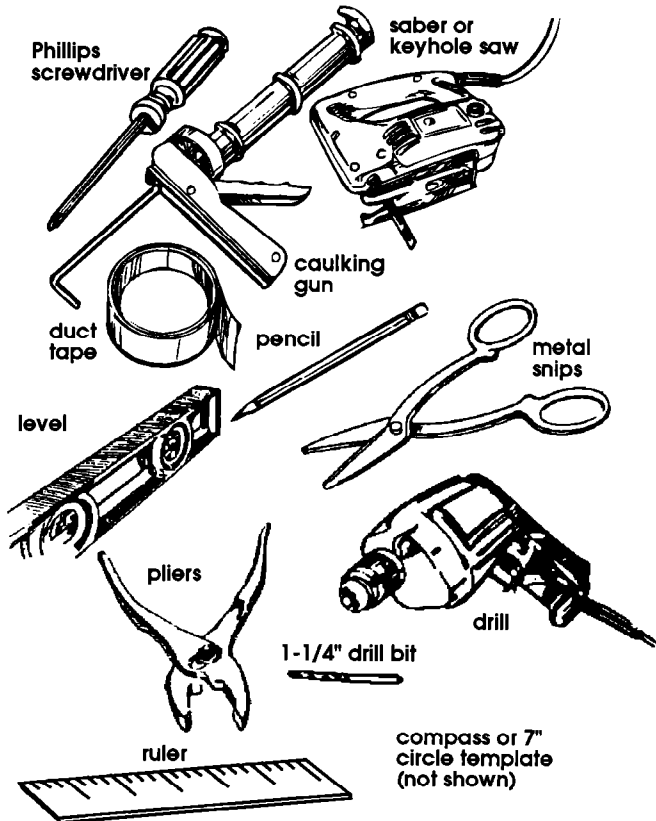
Check the location where the range hood will be installed. The location should be away from strong draft areas, such as windows, doors, and strong heating vents.

### RH2030 Series



Grounded electric outlet is required. See "Electrical requirements."

## Tools and materials needed for installation:



### Mobile home installation

The installation of this range hood must conform to the Manufactured Home Construction Safety Standards, Title 24 CFR, Part 3280 (formerly the Federal Standard for Mobile Home Construction and Safety, Title 24, HUD, Part 280) or when such standard is not applicable, the Standard for Manufactured Home Installation 1982 (Manufactured Home Sites, Communities and Setups) ANSI A225, 1-1987, or latest edition, or with local codes.

Four-wire power supply must be used and the appliance wiring must be revised. See "Electrical requirements."

Copies of standards listed may be obtained from:

\* National Fire Protection Association  
Batterymarch Park  
Quincy, Massachusetts 02269

## Electrical requirements

**⚠ WARNING**

**Electrical Shock Hazard**  
**Electrical ground is required on this appliance.**  
**Do Not ground to a gas pipe.**  
**Take special care when drilling holes into the wall. Electrical wires may be concealed behind the wall covering and contact with them could result in electrical shock.**  
**Locate any electrical circuits that could be affected by the installation of this product and disconnect power circuit.**  
**Do Not have a fuse in the neutral or grounding circuit. A fuse in the neutral or grounding circuit could result in an electrical shock.**  
**Check with a qualified electrician if you are in doubt as to whether the appliance is properly grounded.**  
**Failure to follow these instructions could result in death or serious injury.**

If codes permit and a separate grounding wire is used, it is recommended that a qualified electrician determine that the grounding path is adequate.

## ⚠ WARNING



### Electrical Shock Hazard

It is the customer's responsibility:  
To contact a qualified electrical installer.  
To assure that the electrical installation is adequate and in conformance with National Electrical Code, ANSI/NFPA 70 — latest edition\*, and all local codes and ordinances.

Installation work and electrical wiring must be done by a qualified person(s) in accordance with all applicable codes and standards, including fire-rated construction.

Sufficient air is needed for proper combustion and exhausting of gases through the flue (chimney) of fuel burning equipment to prevent back drafting. Follow the heating equipment manufacturer's guideline and safety standards such as those published by the National Fire Protection Association (NFPA), and the American Society for Heating, Refrigeration and Air Conditioning Engineers (ASHRAE), and the local code authorities.

When cutting or drilling into wall or ceiling, Do Not damage electrical wiring and other hidden utilities.

Vent ducted range hoods to the outdoors. Do Not end duct inside the building.

Failure to follow these instructions could result in death or serious injury.

### Injury Hazard

Reaching over a heated cooking surface should be avoided to prevent being burned. The range hood should extend a minimum of 5 inches out from the bottom of the cabinet.

Reaching over a heated cooking surface could result in a serious burn.

**Important: Observe all governing codes and ordinances.**

**A.** A 115-volt, 60-Hz, AC-only, fused electrical supply is required. The total ampere load used, including the range hood, must not exceed 90% of the rated capacity of the circuit. The ampere rating of the range hood is located on the model/serial rating plate located on the side cover of the motor housing.

**B.** It is the personal responsibility and obligation of the customer to contact a qualified electrician to assure that the electrical installation is adequate and in conformance with the National Electrical Code ANSI/NFPA 70 — latest edition\* and all local codes and ordinances.

**C.** The range hood must be connected with copper wire only.

**D.** The range hood should be connected directly to the fused disconnect (or circuit breaker) box through flexible armored or nonmetallic sheathed copper cable. A U.L.-listed strain relief must be provided at each end of the power supply cable. Wire sizes (COPPER WIRE ONLY) and connectors must conform with the rating of the appliance as specified on the model/serial rating plate. Wire sizes must conform to the requirements of the National Electrical Code ANSI/NFPA 70 — latest edition\*, and all local codes and ordinances.

# Venting requirements

## ! WARNING



### Fire Hazard

Venting system must terminate to the outside.

Do Not vent exhaust air into spaces within walls or ceilings or into attics, crawl spaces or garages.

Use metal duct only.

Do Not use 4" laundry-type wall caps.

Do Not use plastic ductwork.

Flexible metal duct is Not recommended. If it is used, calculate each foot of flexible metal duct as two feet of straight duct. Flexible metal elbows count twice as much as standard elbows.

Do Not use to exhaust hazardous or explosive materials and vapors.

Failure to follow these instructions could result in a fire.

Ductwork needed for installation is not included. Backdraft damper supplied with product must be properly installed. If roof or wall cap has a damper, Do Not use damper supplied with hood.

Determine which outside venting method needs to be used.

The length of the ductwork and number of elbows should be kept to a minimum to provide efficient performance. The size of the ductwork should be uniform. Do Not install two elbows together. Use duct tape to seal all joints in ductwork system.

Ductwork can terminate either through the roof or wall. Use caulking to seal exterior wall or roof opening around exhaust hood. For the most efficient and quiet operation, it is recommended that the range be vented vertically through the roof through 7" round ductwork.

Figures 1-2 show common venting methods and what types of materials are needed.

### Vertical Roof Venting

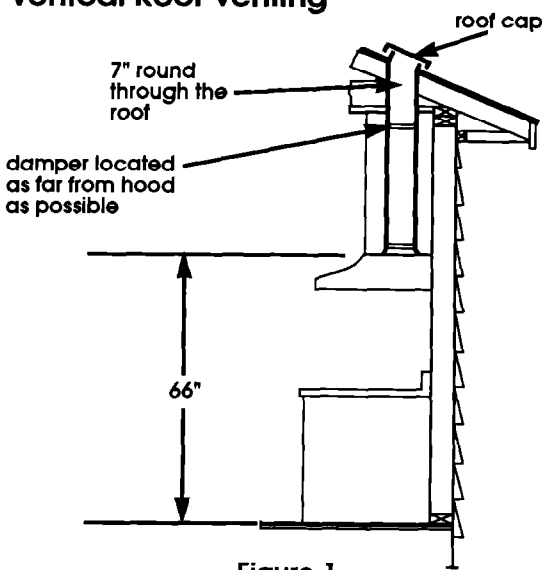


Figure 1

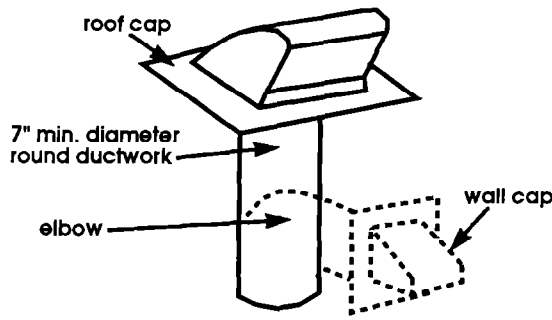
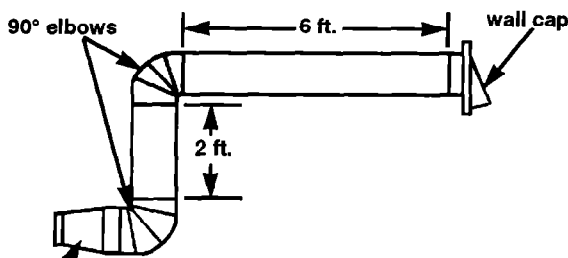


Figure 2

### Recommended ductwork length

Use ductwork with a maximum length of 26 feet for ductwork system. For best performance, use no more than three 90° elbows. To calculate the length of system you need, add the equivalent feet for each ductwork piece used in the system. See the following example.

### 7" ductwork system



Maximum length = 26 feet

1 — transition = 4.5 ft.








2 — 90° elbows = 10 ft.

8 feet straight = 8 ft.

1 — wall cap = 0 ft.

Length of 7" system = 22.5 ft.

### Recommended standard fittings

 3-1/4" x 10" to 7" = 4.5 ft.	 3-1/4" x 10" to 7" 90° elbow = 5 ft.	 7" to 3-1/4" x 10" 90° elbow = 9 ft.	
 90° elbow = 5 ft.	 7" to 3-1/4" x 10" = 1 ft.	 45° elbow = 2.5 ft.	 7" wall cap = 0 ft.

## Now start...

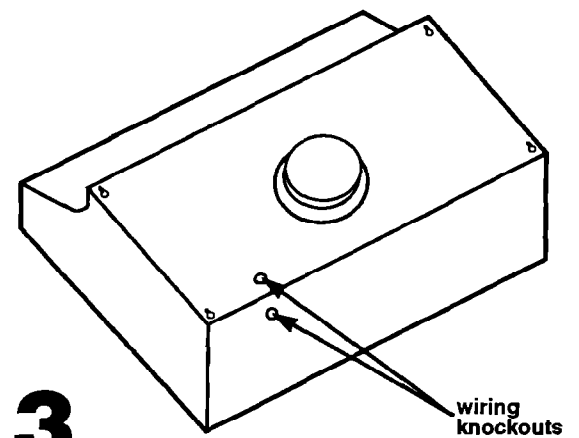
With range hood in kitchen.

Slide cardboard or hardboard under range before moving range across floor to prevent damaging floor covering.

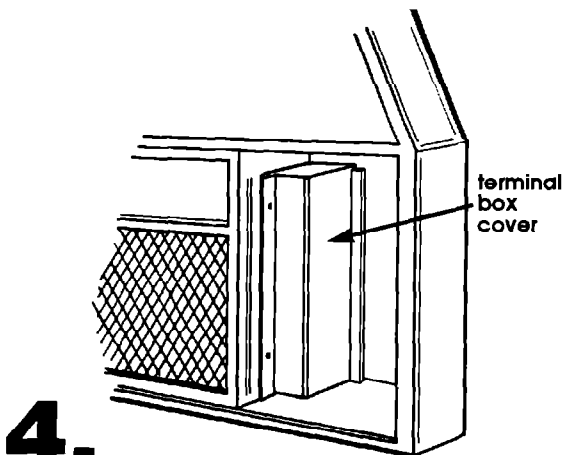
Cover countertop, cooktop or set-in range with a thick, protective covering to prevent damaging countertop.

**1.** Disconnect and move freestanding range from cabinet opening to provide easier access to upper cabinet and rear wall. Put a thick, protective covering over cooktop, set-in range or countertop to protect from damage or dirt.

**2.** Determine which venting method (roof or wall venting or non-venting) you need to use.



**3.** Remove knockout from the wiring opening (top or rear) to be used.



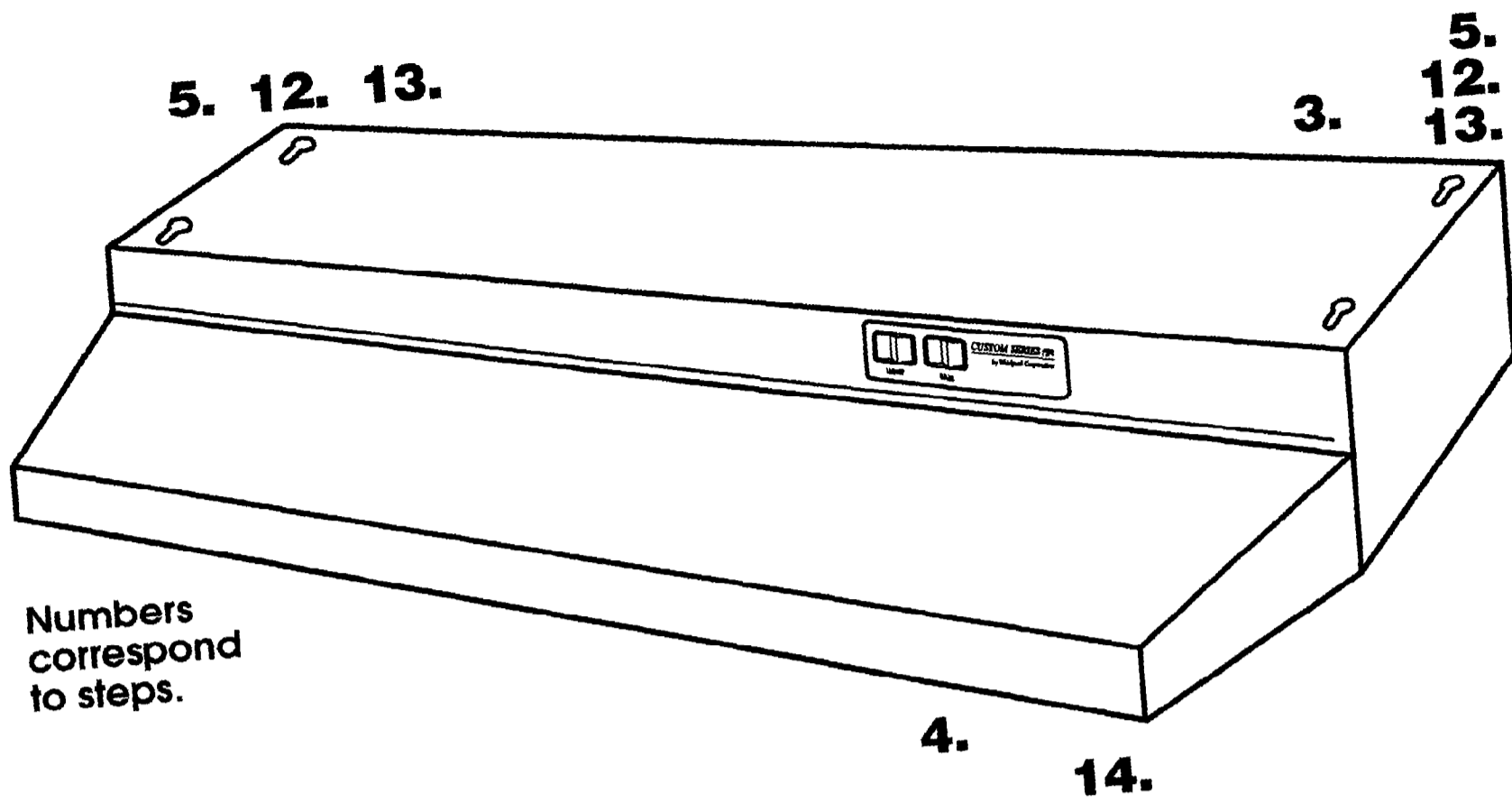
**4.** Remove terminal box cover from range hood.

## ! WARNING

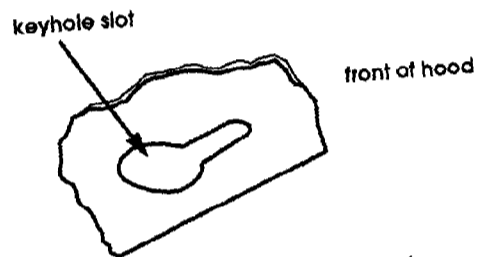
### Injury Hazard

More than one person is required to help with installation because of the weight and size of range hood.

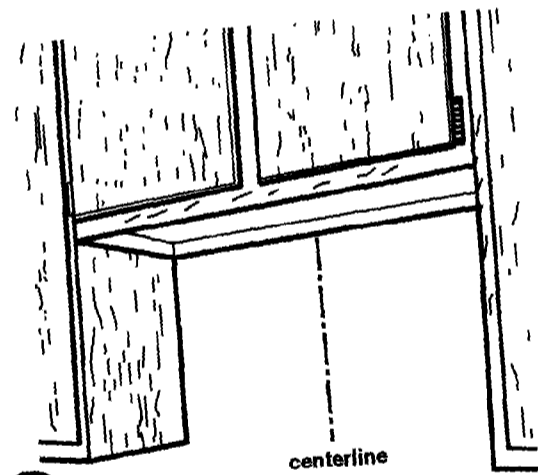
Failure to follow this instruction could result in serious injury.



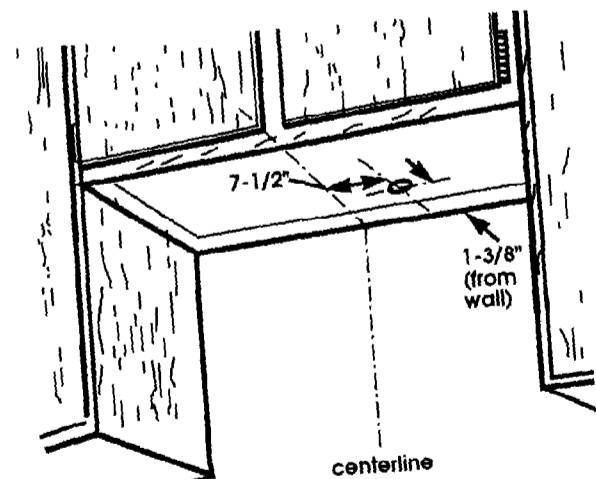
Numbers correspond to steps.



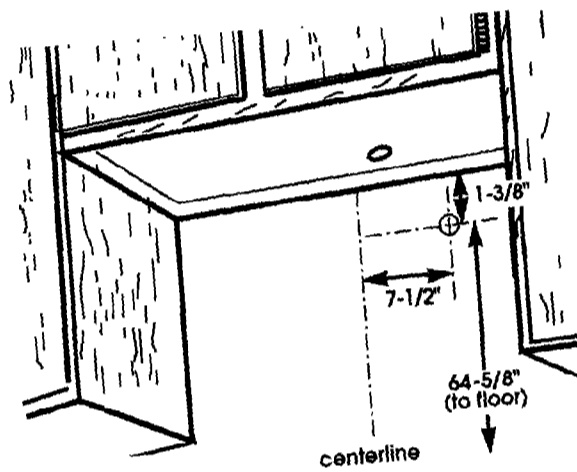
**5.** Lift the range hood into final position and center. Mark on the underside of cabinet the location of the four keyhole mounting slots. Set range hood aside on a protected surface.



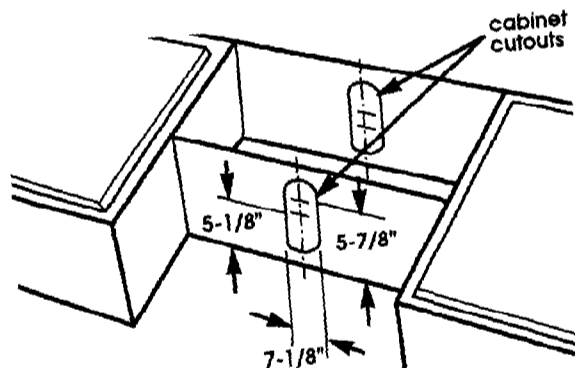
**6.** Determine and clearly mark a vertical centerline on the wall and cabinet in the area the vent opening will be made.



**7.** To wire through top, mark a line 7-1/2" from the right of the centerline on the underside of the cabinet. Mark the point on this line that is 1-3/8" from back wall. Drill a 1-1/4" diameter hole through the cabinet at this point.

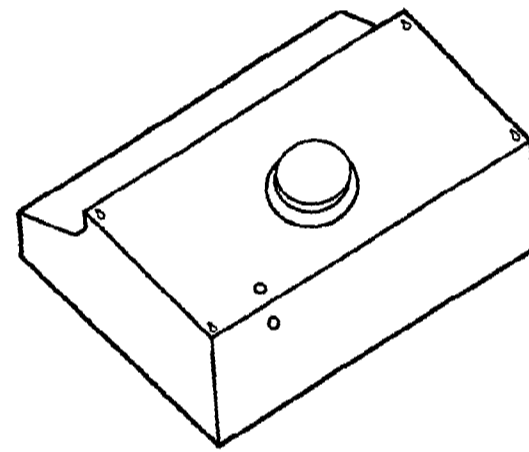


To wire through rear, mark a line 7-1/2" from the right of the centerline on the wall. Mark the point on this line that is 64-5/8" from the floor (or 1-3/8" from underside of cabinet). Drill a 1-1/4" diameter hole through wall at this point.

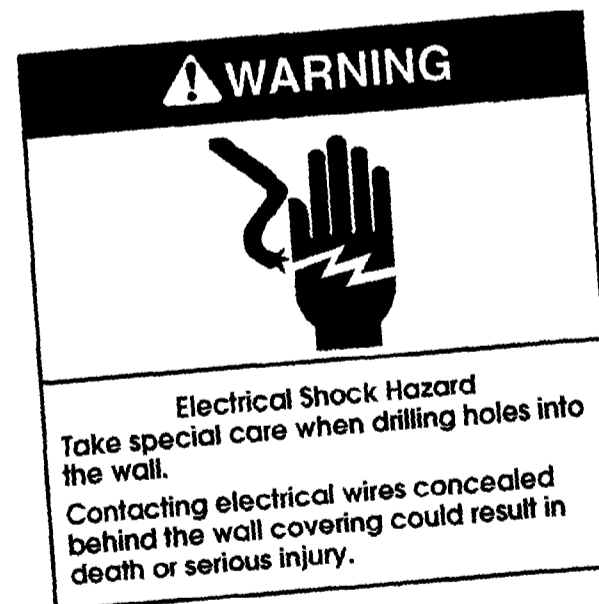


**8.** To vent through the roof with 7" round ductwork, mark 5-1/8" and 5-7/8" in from back wall along the centerline on underside of cabinet. Use these points as centers to draw 7-1/8" circles on underside of cabinet. Use a saber saw to cut the openings for the ductwork. Repeat for the underside of the top of the cabinet. This will create slotted openings.

**9.** Install ductwork through the vent opening in upper cabinet or wall. Complete venting system according to method needed. See "Venting requirements." Use caulking to seal exterior wall or roof opening.

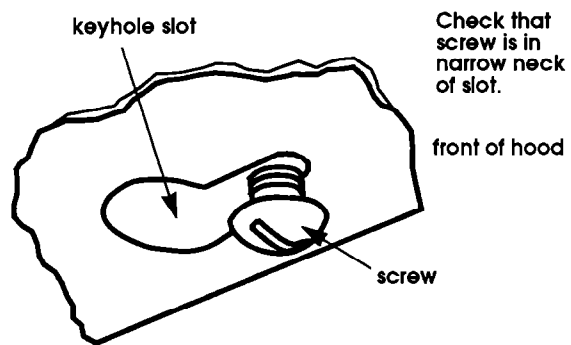


**10.** If roof or wall cap does not have a damper, install damper (supplied with hood) in ductwork to prevent air from flowing back into ductwork. If roof or wall cap has a damper, Do Not use damper blade supplied with range hood.

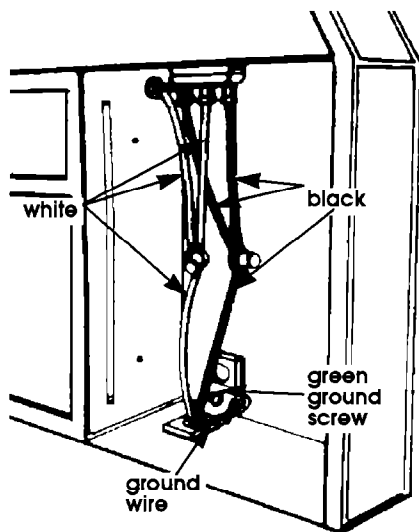


**11.** Run wiring through wall or cabinets according to the National Electrical Code and local codes and ordinances. Do Not turn on power until installation is complete. Use caulking to seal ceiling or outside wall opening.

**12.** Start screws in the center of the narrow neck of each of the four keyhole mounting screw slots marked



**13.** Lift range hood into final position, feeding electrical wire through wiring opening. Tighten mounting screws to cabinet, making sure mounting screws are in narrow neck of slot.



**14.** Connect the white and black wires of the power supply cable to the white and black leads in the range hood with twist-on connectors. Connect the power supply grounding wire to the green, grounding screw inside the range hood terminal box. Use caulking to seal wire opening. Replace terminal box cover.

You have just finished installing your new range hood. Keep Installation Instructions close to range hood for easy

**Congratulations!**

reference. The instructions will make reinstalling your range hood in another home as easy as the first installation.

# Use & Care Information

## ⚠ WARNING



### Electrical Shock Hazard

Use this range hood only in the manner intended by the manufacturer. If you have any questions, contact the manufacturer. Before installation and before servicing or cleaning range hood, switch off power at service panel and lock service panel to prevent power from being switched on accidentally.

Failure to follow this instruction could result in death or serious injury.

### Fire Hazard

Keep fan, filters and grease-laden surfaces clean.

Turn range hood on when cooking at high heat.

Use high range setting on range only when necessary.

Heat oil slowly on low to medium setting.

Do Not leave range unattended when cooking.

Always use cookware and utensils appropriate for the type and amount of food being prepared.

Smother grease fire flames with a close-fitting lid, cookie sheet, or metal tray. Turn burner off.

Do Not use water, wet dishcloths or towels to smother flames. Using these items could result in steam explosion.

If flames do not go out Do Not pick up the pan. Leave the house or building and call the fire department.

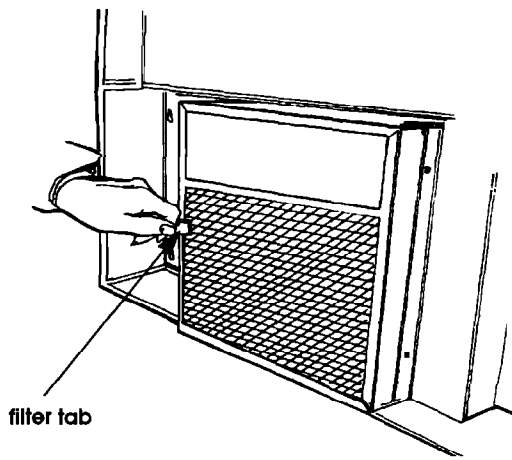
Use a Class ABC fire extinguisher if you know how and the fire is small and within the range area. You must fight the fire with your back to an exit. You still need to call the fire department.

Failure to follow these instructions could result in a fire or other serious injury.

### Filter/light lens:

For best results, remove and clean often.

### To remove filter/light lens:



filter tab

Pull firmly on filter tab to remove filter/light lens from range hood.

### To clean filter/light lens:

Place filter/light lens in dishwasher or hot sudsy water to clean.

### To reinstall filter/light lens:

Place edge of filter/light lens in opening so that right side is above flange and tab faces downward. Press filter/light lens into position.

### To clean fan motor:

Every three years lubricate each motor bearing with a few drops of oil to help prolong motor life.

Clean exterior of motor with a damp cloth and grease-cutting detergent.

### Exterior surfaces

Clean the range hood with a mild detergent and soft cloth. Do Not use abrasive cleansers or steel wool pads.

### Light

Do Not use bulb larger than 60 watts in light socket.

Light bulb is not included.

# Operation of range hood

## ⚠ WARNING



### Fire Hazard

Do Not use a solid-state speed control device to operate range hood.

Failure to follow this instruction could result in a fire, electrical shock or other injury.

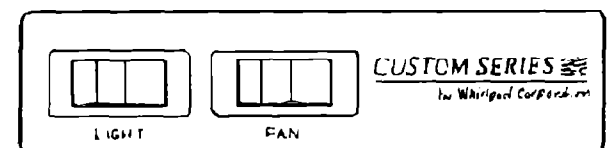
For best results, turn range hood fan ON at beginning of cooking and allow it to run until all smoke and odors are removed from room.

### To turn fan ON and OFF:

Press fan control to turn fan on and off and adjust fan speed. Speed may be increased or decreased anytime during range hood operation.

### To turn range hood light ON and OFF:

Press light control to turn light on or off. Light may be turned off or on anytime during range hood operation.



## If range hood does not operate...

Check that the circuit breaker is not tripped or the house fuse blown.

## If you need assistance...

Check your Use and Care Guide for a toll-free number to call or call the dealer from whom you purchased this appliance. The dealer is listed in the Yellow Pages of your phone directory under "Appliances — Household — Major — Service and Repair".

When you call, you will need the range hood model number and serial number. Both numbers can be found on the model/serial rating plate located on the side cover of the motor housing.

## Whirlpool® Range Hood Warranty

LENGTH OF WARRANTY	WHIRLPOOL WILL PAY FOR
<b>FULL ONE-YEAR WARRANTY</b> From Date of Purchase	FSP® replacement parts and repair labor to correct defects in materials or workmanship. Service must be provided by an authorized Whirlpool <sup>SM</sup> service company.
WHIRLPOOL WILL NOT PAY FOR	
<b>A.</b> Any labor costs incidental to the replacement of defective parts. <b>B.</b> Consumable parts such as light bulbs and filters. <b>C.</b> Service calls to: 1. Correct the installation of the range hood. 2. Instruct you how to use the range hood. 3. Replace house fuses or correct house wiring. <b>D.</b> Repairs when range hood is used in other than normal, single-family household use. <b>E.</b> Pickup and delivery. This product is designed to be repaired in the home. <b>F.</b> Damage to range hood caused by accident, misuse, fire, flood, act of God or use of products not approved by Whirlpool.	

WHIRLPOOL CORPORATION SHALL NOT BE LIABLE FOR INCIDENTAL OR CONSEQUENTIAL DAMAGES. Some states do not allow the exclusion or limitation of incidental or consequential damages so this limitation or exclusion may not apply to you. This warranty gives you specific legal rights, and you may also have other rights which vary from state to state.

Outside the United States, a different warranty may also apply. For details, please contact your franchised Whirlpool distributor or military exchange.