

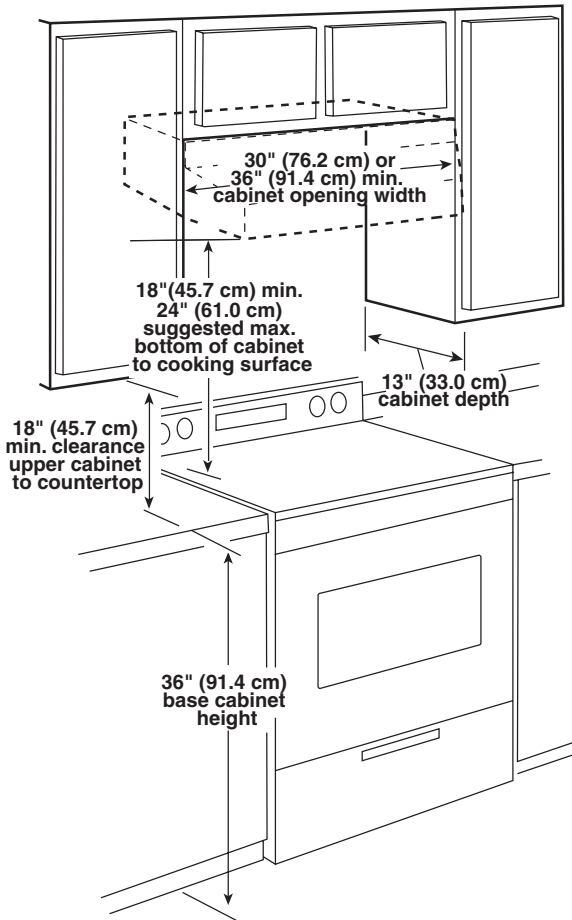
Range Hood - 30" (76.2 cm) and 36" (91.4 cm)

PRODUCT MODEL NUMBERS

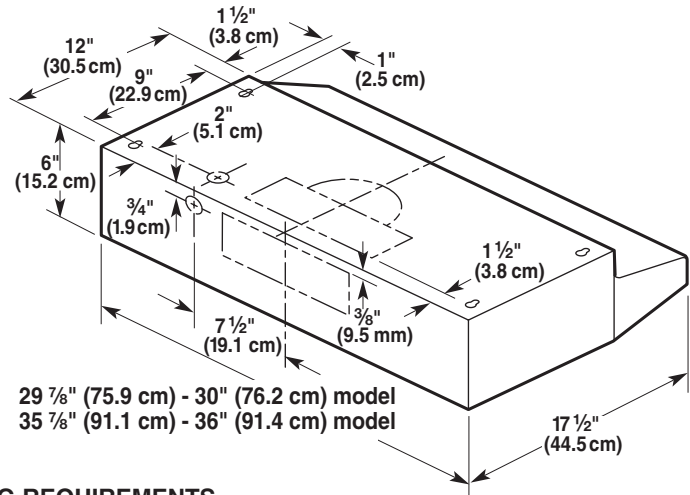
UXT4830AA
UXT4836AA

Electrical: A 120 Volt, 60 Hz., AC only, 15-amp, fused electrical circuit is required.

CABINET OPENING DIMENSIONS

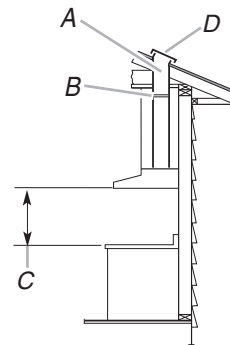


OVERALL DIMENSIONS



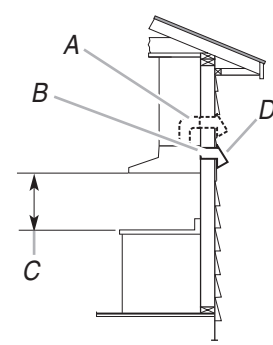
VENTING REQUIREMENTS

Roof Venting



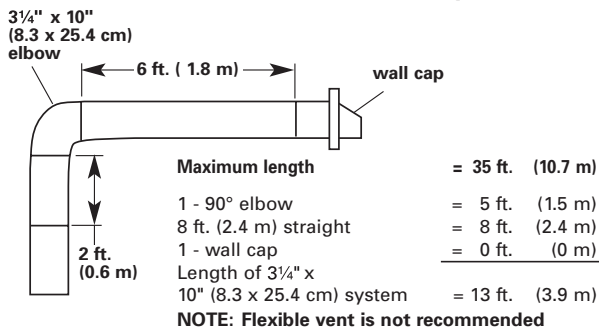
- A. 7" (17.8 cm) round vent or a 3 1/4" x 10" (8.3 x 25.4 cm) vent through roof
- B. Round vent: use 7" (17.8 cm) round damper (purchased separately)
- C. 18" (45.7 cm) - 24" (61.0 cm) above cooking surface
- D. Roof cap

Wall Venting

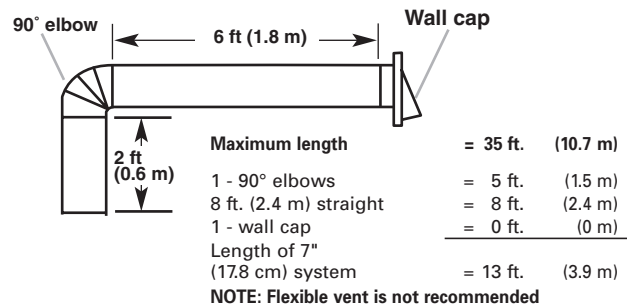


- A. 7" (17.8 cm) round vent or a 3 1/4" x 10" (8.3 x 25.4 cm) vent through the wall
- B. 3 1/4" x 10" (8.3 x 25.4 cm) through the wall
- C. 18" (45.7 cm) - 24" (61.0 cm) above cooking surface
- D. Wall cap

3 1/4" x 10" (8.3 x 25.4 cm) vent system



7" (17.8 cm) vent system



3 1/4" x 10" (8.3 x 25.4 cm) vent system

3 1/4" x 10" (8.3 x 25.4 cm) 90° elbow = 5 ft. (1.5 m)	3 1/4" x 10" (8.3 x 25.4 cm) flat elbow = 12 ft. (3.7 m)	3 1/4" x 10" (8.3 x 25.4 cm) wall cap = 0 ft. (0 m)

7" (17.8 cm) vent system

90° elbow = 5 ft. (1.5 m)	45° elbow = 2.5 ft. (0.8 m)	7" (17.8 cm) wall cap = 0 ft. (0 m)	3 1/4" x 10" (8.3 x 25.4 cm) to 7" (17.8 cm) = 4.5 ft. (1.4 m)	3 1/4" x 10" (8.3 x 25.4 cm) 90° elbow = 5 ft. (1.5 m)