
OWNER'S GUIDE

GLHV30T4KC - GLHV30T4KW
GLHV36T5KC - GLHV36T5KW

READ AND SAVE THESE INSTRUCTIONS

Contents

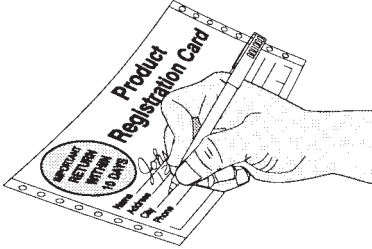
Product Registration	2
Important Safety Instructions	3
Installation	4-6
Use and Care	7
Hood Cleaning	8
Lights Replacement	8
Warranty	10

Range Hood

Product Registration

Register your Product

The self-addressed **PRODUCT REGISTRATION CARD** should be filled in completely, signed and returned to the Frigidaire Canada.



This Owner's Guide contains general operating instructions for your range hood and feature information for several models. Your range hood **may not** have all the described features.

Note: The instructions appearing in this Owner's Guide are not meant to cover every possible condition and situation that may occur. Common sense and caution must be practiced when installing, operating and maintaining any appliance.

Thank you for choosing this appliance. The information contained within this Owner's Guide will instruct you on how to properly operate and care for your range hood. Please read through the information contained in your literature pack to learn more about your new appliance.

Record Your Model and Serial Numbers

Record in the space provided below the model and serial numbers found on the serial plate located on the right hand side of the range hood.

Model Number: _____

Serial Number: _____

Date of Purchase: _____

Important Safety Instructions

READ AND SAVE THESE INSTRUCTIONS

Take care when using cleaning agents or detergents.
Suitable for use in household cooking area

CAUTION - To reduce risk of fire and to properly exhaust air, be sure to duct air outside – Do not vent exhaust air into spaces within walls or ceilings or into attics, crawl spaces, or garages.

CAUTION - For General Ventilating Use Only. Do Not Use To Exhaust Hazardous Or Explosive Materials And Vapors.

WARNING – TO REDUCE THE RISK OF FIRE, ELECTRIC SHOCK, OR INJURY TO PERSONS, OBSERVE THE FOLLOWING:

- a. Use this unit only in the manner intended by the manufacturer. If you have questions, contact the manufacturer.
- b. Before servicing or cleaning unit, switch power off at service panel and lock the service disconnecting means to prevent power from being switched on accidentally. When the service disconnecting means cannot be locked, securely fasten a prominent warning device, such as a tag, to the service panel.

WARNING – TO REDUCE THE RISK OF A RANGE TOP GREASE FIRE:

- a. Never leave surface units unattended at high settings. Boilovers cause smoking and greasy spillovers that may ignite. Heat oils slowly on low or medium settings.
- b. Always turn hood ON when cooking at high heat or when cooking flaming foods.
- c. Clean ventilating fans frequently. Grease should not be allowed to accumulate on fan or filter.
- d. Use proper pan size. Always use cookware appropriate for the size of the surface element.

WARNING – TO REDUCE THE RISK OF INJURY TO PERSONS IN THE EVENT OF A RANGE TOP GREASE FIRE, OBSERVE THE FOLLOWING:

- a. SMOTHER FLAMES with a close-fitting lid, cookie sheet, or metal tray, then turn off the burner. BE CAREFUL TO PREVENT BURNS. If the flames do not go out immediately, EVACUATE AND CALL THE FIRE DEPARTMENT.
- b. NEVER PICK UP A FLAMING PAN – You may be burned.
- c. DO NOT USE WATER, including wet dishcloths or towels – a violent steam explosion will result.
- d. Use an extinguisher ONLY if:
 1. You know you have a Class ABC extinguisher, and you already know how to operate it.
 2. The fire is small and contained in the area where it started.
 3. The fire department is being called.
 4. You can fight the fire with your back to an exit.

WARNING – TO REDUCE THE RISK OF FIRE, ELECTRIC SHOCK, OR INJURY TO PERSONS, OBSERVE THE FOLLOWING:

- a) Installation work and electrical wiring must be done by qualified person(s) in accordance with all applicable codes and standards, including fire-rated construction.
- b) Sufficient air is needed for proper combustion and exhausting of gases through the flue (chimney) of fuel burning equipment to prevent back drafting. Follow the heating equipment manufacturer's guideline and safety standards such as those published by the National Fire Protection Association (NFPA), and the American Society for Heating, Refrigeration and Air Conditioning Engineers (ASHRAE), and the local code authorities.
- c) When cutting or drilling into wall or ceiling, do not damage electrical wiring and other hidden utilities.
- d) Ducted fans must always be vented to the outdoors.

WARNING - TO REDUCE THE RISK OF FIRE, USE ONLY METAL DUCTWORK.



! WARNING

Electrical Shock Hazard - Can result in serious injury or death.
Disconnect appliance from electric power before servicing.
If equipped, the fluorescent light bulb contains small amounts of mercury which must be recycled or disposed of according to Local, State, and Federal Codes.

Installation

**FOR RESIDENTIAL USE ONLY
NOT TO BE INSTALLED OVER GAS GRILLS
PLEASE READ ENTIRE INSTRUCTIONS BEFORE PROCEEDING.
INSTALLATION MUST COMPLY WITH ALL LOCAL CODES.**

IMPORTANT: Save these Instructions for the Local Electrical Inspector's use.

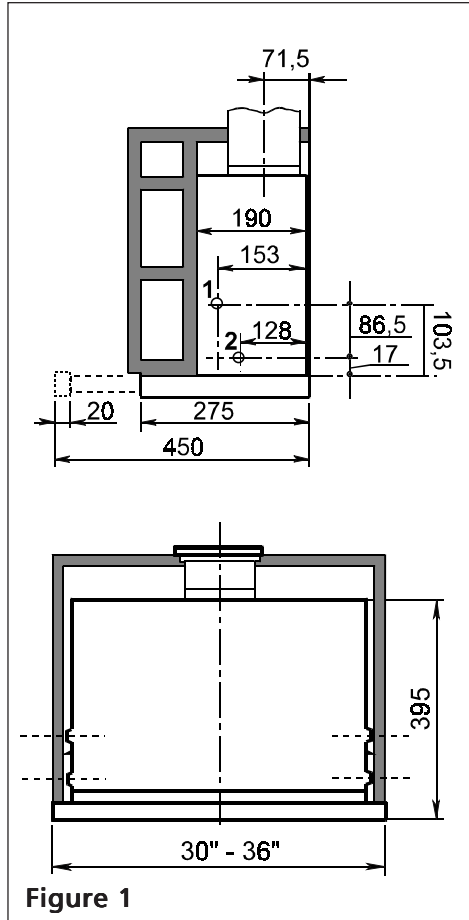
INSTALLER: Please leave these Instructions with this unit for the owner.

OWNER: Please retain these instructions for future reference.

Safety Warning: Turn off power circuit at the service entrance and lock out panel, before wiring this appliance.

Requirement: 120 V AC, 60 Hz. 15 or 20 A

Dimensions



Weight: 30" Model 34 lbs - 36" Model 38,5 lbs

Diameter of Transition $4'' \frac{3}{4}$

Diameter of exhaust Duct required $4'' \frac{3}{4}$

Considerations before installing Hood

1. For the most efficient air flow exhaust, use a straight run or as few elbows as possible.

CAUTION: Vent unit to outside of building, only.

2. If allowed in your area, use metallic flex ducting only to connect rigid duct directly to transitions.

3. COLD WEATHER installations should have an additional backdraft damper installed to minimize backward cold air flow and a nonmetallic thermal break to minimize conduction of outside temperatures as part of the ductwork. The damper should be on the cold air side of the thermal break. The break should be as close as possible to where the ducting enters the heated portion of the house.

4. Hood installation height above cooktop is the users preference. The lower the hood above the cooktop, the more efficient the capturing of cooking odors, grease and smoke. We recommends the hood be installed 18,5" minimum above an electric cooktop or 25,6" minimum above a gas cooktop . Be sure that your hood model fits your installation.

Installation

Tools required for installation

Screw driver (pozidrive n°2)

Electric drill

with twist bit Ø 2 mm and Ø 6 mm

Pre-Installation consideration

The hood can be installed to be used in the following ways:

- External exhausting version
- Recycling version (with carbon filter to be ordered from your supplier)

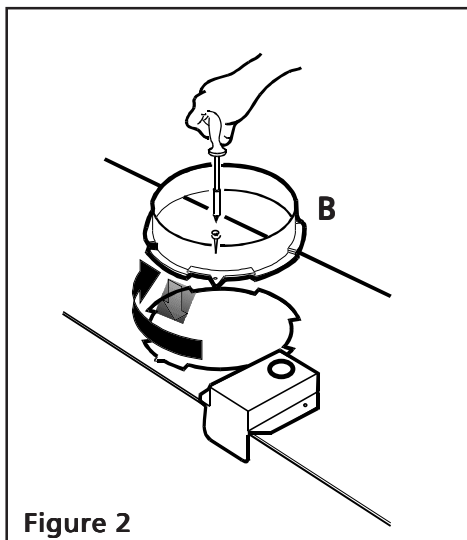


Figure 2

External Exhausting Version

The air is expelled outside by means of a pipe to be connected to the coupling ring **B** (Figure 2).

In horizontal runs, the duct must be slightly slanted (about 10°) and directed upwards to vent the air easily from the room to the outside.

A non-return smoke valve is supplied as an optional to be mounted on the coupling flange .

Recycling version

The air is filtered through a carbon filter and recycled into the room.

If the hood has no filter ask for one from the technical assistance service or the manufacturing company, specifying the hood model.

To install the filter, insert it in the place provided and use the two hooks **D** to fasten it (Figure 4).

The filtered air is discharged above the wall cabinet through the baffle **E**, to be fastened by means of two screws provided directly on the vertical of the outlethole of the hood (if necessary fit a duct Ø120mm from the coupling flange to the upper edge of the hole provided on the top side of the cupboard (Figure 3).

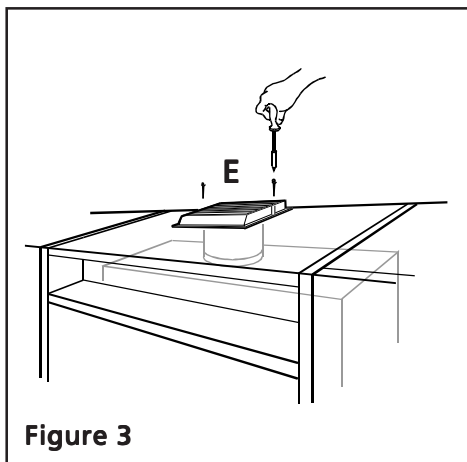


Figure 3

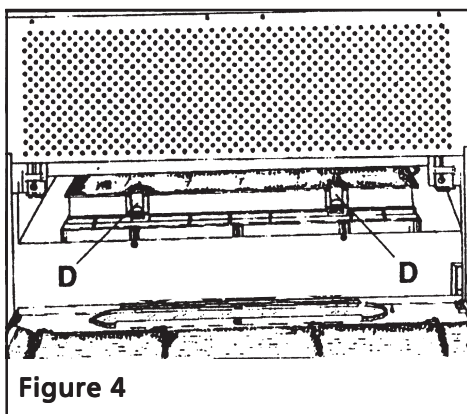


Figure 4

Installation

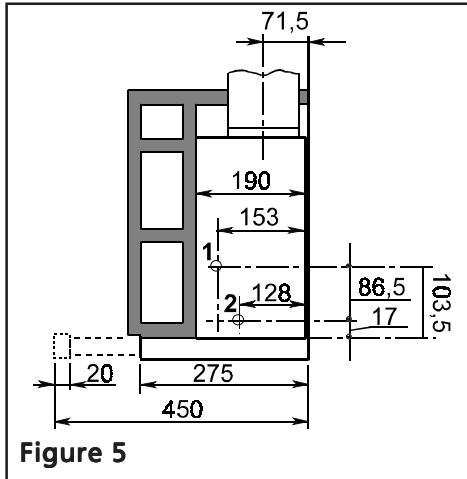


Figure 5

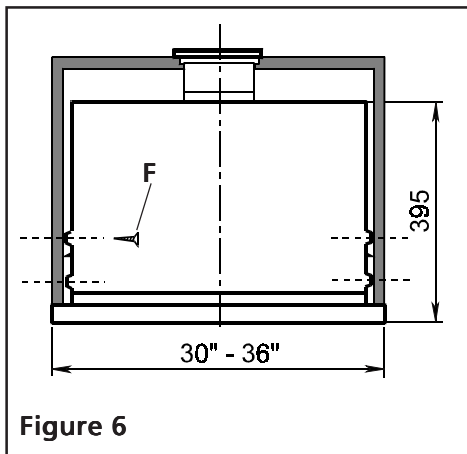


Figure 6

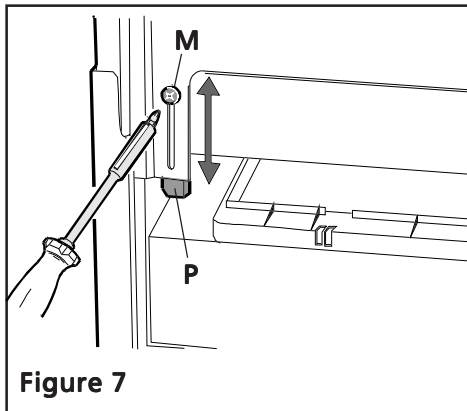


Figure 7

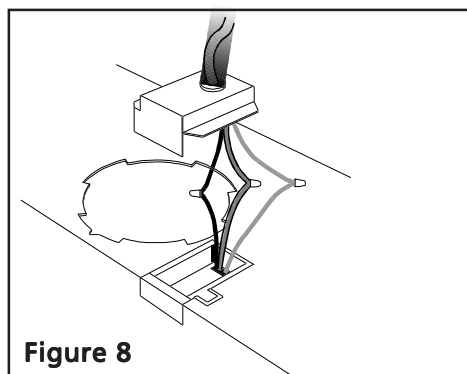


Figure 8

Fastening the hood to the wall cabinet

Fit the drilling template, which comes with the hood, on the inner right side of the cabinet making sure side "A" coincides with back part. Make at least two 2 mm. diameter holes at points 1-2 (Figure 5). Perform the same operations on the inner left side.

Use screws F (4.5x16) to fasten the hood to the cabinet (Figure 6).

Attention! While mounting the hood on the wall cabinet be sure once the hood has been fastened, to allow the wiring compartment to be easily and safely reachable, in order to make eventual safety inspections and/or maintenance operations.

Box adjustment

The hood can be installed in cabinets with different depths; the front of the box must always be in line with the cabinet.

For alignment, adjust the back stops of the box.

For box adjustment, loosen screws M, slide the square plates P as necessary, and tighten screws M (Figure 7).

Ensure that the drawer, when fully retracted, turns OFF all power by acting positively on the rear microswitch.

Wiring to Power Supply

WARNING!

ELECTRICAL GROUNDING INSTRUCTIONS

THIS APPLIANCE IS FITTED WITH AN ELECTRICAL JUNCTION BOX WITH 3 WIRES, ONE OF WHICH (GREEN/YELLOW) SERVES TO GROUND THE APPLIANCE. TO PROTECT YOU AGAINST ELECTRIC SHOCK, THE GREEN AND YELLOW WIRE MUST BE CONNECTED TO THE GROUNDING WIRE IN YOUR HOME ELECTRICAL SYSTEM, AND IT MUST UNDER NO CIRCUMSTANCES BE CUT OR REMOVED.

Warning: Turn off power circuit at the service panel before wiring this unit. 120 VAC, 15 or 20 Amp circuit required.

- Remove j-box cover as shown in Figure 8.
- Remove the knockout and install the strain relief (conduit) connector (1/2") in junction box.
- Run 3 wires; black, white and green (#16 AWG) in 1/2" conduit from service panel to junction box.
- Connect black wire from service panel to black or red in junction box, white to white and green to green-yellow. See Figure 8.
- Close junction box cover, check all light bulbs to make sure they are secure in their sockets, then turn power on in service panel and check lights and blower operation per Care & Use section of this manual and install filters.
- Make sure to leave this manual for the home owner.

Use and Care Control Pad Functions

READ THE INSTRUCTIONS CAREFULLY BEFORE USING THE RANGE HOOD.
For satisfactory use of your hood, become familiar with the various functions of the hood as described below

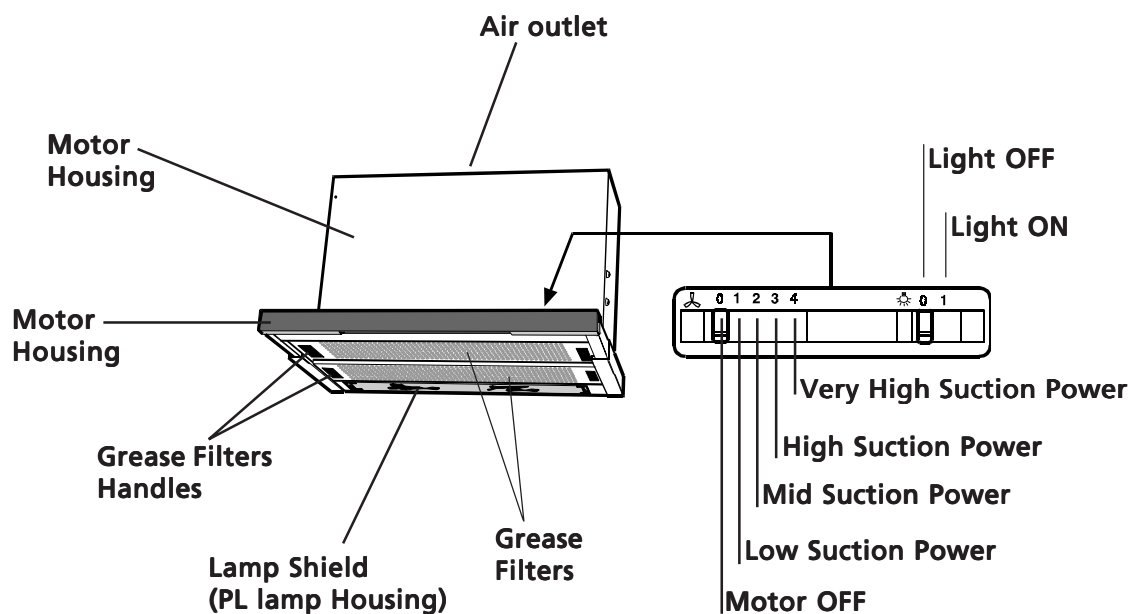


Figure 9

Operating Instructions

The blower should be turned on for about 5 minutes **before** cooking in order to establish air currents upward through the hood.

Use the low speeds for normal use and the higher speeds for strong odors or fumes.

Minimize cross drafts which will reduce the effectiveness of the hood.

Hood Cleaning

Be sure lights are cool before cleaning the hood.

To Clean Filters

- The metal grease filters will last forever. They are made of anodized aluminum
- It is recommended that the filters be washed at least once a month; they can be washed by hand or in the dishwasher.
- Drain water through edge holes and let each filter dry thoroughly before replacing it.

To Remove The Metal Grease Filters

- Turn blower and lights off.
- Push simultaneously the two handles **S** first upwards, then towards the center and extract the filters Figure 10.

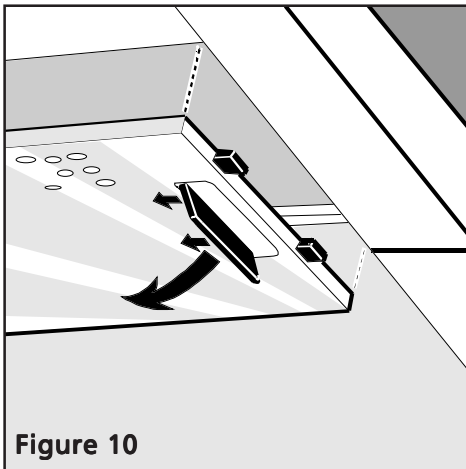


Figure 10

To Replace The Metal Grease Filters

- Reverse procedure.

To Replace The Carbon Filter

- The Carbon Filter must be replaced once a year in normal use.
- To dismount push the two locks **D** and extract it from its housing.

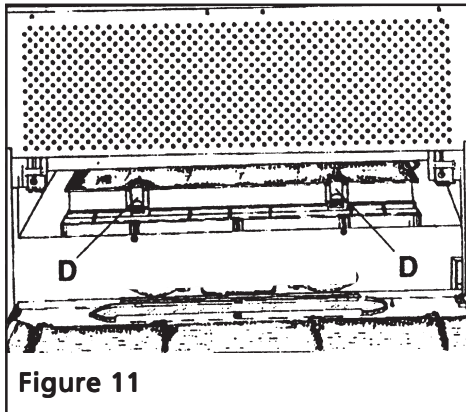


Figure 11

To Clean Hood Surface

- For general care, wipe the outside of the stainless steel, white, black or glass hood with sudsy water or household cleaners such as Fantastic® or Formula 409®, rinse well and dry with clean soft cloth to avoid water marks.
- Wipe and dry brushed stainless steel in the same direction as the grain.
- Do not use abrasive products.
- To remove finger prints and give added shine use spray cleaners such as Stainless Steel Magic® and Shimmer®.

Lights replacement

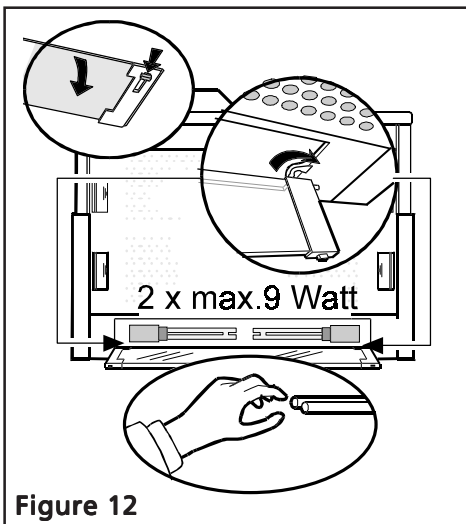


Figure 12

NOTE: Turn blower and lights off. Make sure the lights are cool. If new lights do not operate be sure lights are inserted correctly before calling service.

- Remove the light shield **Q** by pushing simultaneously the two unlocking buttons **R** (Figure 12); for safety reasons make sure to remove the light shield from its suspension slides **G**.
- Pull out fluorescent tube and replace with Philips Type PL-S 9 Watt maximum.
- Refit the light shield.

RANGE HOOD WARRANTY

Your range hood is protected by this warranty

	WARRANTY PERIOD	THROUGH OUR AUTHORIZED SERVICERS, WE WILL:	THE CONSUMER WILL BE RESPONSIBLE FOR:
FULL ONE-YEAR WARRANTY	One year from original purchase date.	Pay all costs for repairing or replacing any parts of this appliance which prove to be defective in materials or workmanship.	Costs of service calls that are listed under NORMAL RESPONSIBILITIES OF THE CONSUMER.*
LIMITED WARRANTY (Applicable to the State of Alaska)	Time periods listed above.	All of the provisions of the full and limited warranties above and the exclusions listed below apply.	Costs of the technician's travel to the home and any costs for pick up and delivery of the appliance required because of service.

In the U.S.A., your appliance is warranted by Electrolux Home Products North America, a division of White Consolidated Industries, Inc. We authorize no person to change or add to any of our obligations under this warranty. Our obligations for service and parts under this warranty must be performed by us or an authorized Electrolux Home Products North America servicer. In Canada, your appliance is warranted by WCI Canada, Inc.

***NORMAL RESPONSIBILITIES OF THE CONSUMER**

This warranty applies only to products in ordinary household use, and the consumer is responsible for the items listed below:

1. Proper use of the appliance in accordance with instructions provided with the product.
2. Proper installation by an authorized servicer in accordance with instructions provided with the appliance and in accordance with all local plumbing, electrical and/or gas codes.
3. Proper connection to a grounded power supply of sufficient voltage, replacement of blown fuses, repair of loose connections or defects in house wiring.
4. Expenses for making the appliance accessible for servicing, such as removal of trim, cupboards, shelves, etc., which are not a part of the appliance when it was shipped from the factory.
5. Damages to finish after installation.
6. Replacement of light bulbs and/or fluorescent tubes (on models with these features).

EXCLUSIONS

This warranty does not cover the following:

1. CONSEQUENTIAL OR INCIDENTAL DAMAGES SUCH AS PROPERTY DAMAGE AND INCIDENTAL EXPENSES RESULTING FROM ANY BREACH OF THIS WRITTEN OR ANY IMPLIED WARRANTY.
NOTE: Some states do not allow the exclusion or limitation of incidental or consequential damages, so this limitation or exclusion may not apply to you.
2. Service calls which do not involve malfunction or defects in workmanship or material, or for appliances not in ordinary household use. The consumer shall pay for such service calls.
3. Damages caused by services performed by servicers other than Electrolux Home Products North America or its authorized servicers; use of parts other than genuine Electrolux Home Products parts; obtained from persons other than such servicers; or external causes such as abuse, misuse, inadequate power supply or acts of God.
4. Products with original serial numbers that have been removed or altered and cannot be readily determined.

IF YOU NEED SERVICE

Keep your bill of sale, delivery slip, or some other appropriate payment record. The date on the bill establishes the warranty period should service be required. If service is performed, it is in your best interest to obtain and keep all receipts. This written warranty gives you specific legal rights. You may also have other rights that vary from state to state. Service under this warranty must be obtained by contacting Electrolux Home Products:

This warranty only applies in the 50 states of the U.S.A., Puerto Rico, and Canada. Product features or specifications as described or illustrated are subject to change without notice. All warranties are made by Electrolux Home Products North America, a division of White Consolidated Industries, Inc. In Canada, your appliance is warranted by WCI Canada, Inc.

03-U-RH-02

USA

800•944•9044
Electrolux Home Products North America
P.O. Box 212378
Augusta, GA 30917

Canada

866•213•9397 (English)
866•294•9911 (French)
Electrolux Home Products North America
6150 McLaughlin Road
Mississauga, Ontario, Canada
L5R 4C2

GARANTIE DE LA HOTTE DE CUISINE

La hotte de cuisine que vous avez achetée est couverte par la présente garantie

PÉRIODE DE GARANTIE	SERVICES OFFERTS À TRAVERS NOS CENTRES DE SERVICE APRÈS-VENTE AUTORISÉS:	RESPONSABILITÉ DE L'ACHETEUR:
Une année à compter de la date d'achat initiale.	Couverture de tous les frais de réparation ou remplacement des pièces de l'appareil qui se révèlent défectueuses au niveau des matériaux ou de l'usage.	Paiement des frais pour les appels au service après-vente indiqués dans le paragraphe "RESPONSABILITÉS NORMALES DE L'ACHETEUR".
Périodes indiquées ci-dessus	Couverture des frais sur la base des clauses des garanties totales et limites mentionnées ci-dessus et des exclusions de garantie indiquées ci-dessous.	Paiement des frais de déplacement et d'intervention du technicien au domicile de l'acheteur ainsi que les frais de retrait et de livraison de l'appareil pour le service après-vente.

L'appareil acheté aux États-Unis est couvert par la garantie Electrolux Home Products North America, une division de White Consolidated Industries, Inc. Les sous-signés n'autorisent aucune modification ou adjonction aux obligations assumées en vertu de la présente garantie. L'accomplissement des obligations assumées pour le service après-vente et la fourniture de pièces de rechange en vertu de la présente garantie est exclusivement du ressort des sous-signés ou d'un centre de service après-vente autorisé par Electrolux Home Products North America. Au Canada, l'appareil acheté est couvert par la garantie WCI Canada, Inc.

*RESPONSABILITÉ DE L'ACHETEUR

La présente garantie concerne uniquement les produits destinés à un emploi normal dans un contexte domestique et elle attribue à l'acheteur les responsabilités suivantes:

1. Emploi correct de l'appareil, conformément aux instructions fournies avec le produit.
2. Installation correcte effectuée par un centre de service après-vente autorisé, conformément aux instructions fournies avec l'appareil et en plein respect des règlements locaux en matière d'installations électriques, hydrauliques et/ou du gaz.
3. Connexion à une source d'alimentation avec mise à la terre ayant une tension appropriée, remplacement des fusibles grillés, réparation des connexions interrompues ou rectification de l'installation.
4. Frais soutenus afin de garantir l'accès à l'appareil pour les interventions d'entretien ou de réparation, y compris le retrait de fournitures, meubles, armoires suspendues, etc. qui ne font pas partie de l'appareil au moment de la livraison de la part de l'usine de production.
5. Domages aux finitions à la suite de l'installation.
6. Remplacement des lampes et/ou tubes fluorescents (sur les modèles équipés de ces éléments).

EXCLUSIONS

- La présente garantie n'intervient pas dans les cas suivants:
1. DOMMAGES DÉCLARÉS OU INDIRECTS, PARMIS LESQUELS LES DOMMAGES À LA PROPRIÉTÉ, ET LES FRAIS IMPLICITES.
 2. Appels au service après-vente ne concernant pas le fonctionnement défectueux ou les défauts du matériel/ de l'usage ou relatifs aux appareils non destinés à l'emploi normal dans le contexte domestique. L'acheteur est tenu de régler le paiement pour lesdits appels au service après-vente.
 3. Domages consécutifs aux prestations des techniciens d'un service après-vente non appartenant à Electrolux Home Products North America ou à ses centres autorisés; emploi de pièces de rechange non originales obtenues dans des centres non appartenant à Electrolux Home Products; causes externes telles que: abus, emploi impropre, installation non appropriée ou causes de force majeure.
 4. Produits dont les numéros de série originaux ont été retirés ou altérés et ne pouvant pas être identifiés immédiatement.

SI L'ON DEMANDE ASSISTANCE

Conservé la facture d'achat, le bulletin de livraison ou tout autre reçu attestant le paiement. La date reportée sur la facture établit les termes de la garantie pour la demande d'assistance. Il est dans vos intérêts d'obtenir et conserver tous les reçus, dans l'éventualité où une intervention du service après-vente devrait se révéler nécessaire. La présente garantie écrite vous confère des droits légaux spécifiques. Des droits ultérieurs pourront vous être conférés sur la base de la législation en vigueur dans les différents Pays. Pour la demande d'assistance en garantie, s'adresser à Electrolux Home Products.

La présente garantie est valable uniquement dans les 50 Pays qui constituent les États-Unis d'Amérique, au Porto Rico et au Canada. Les caractéristiques et les spécifications techniques décrites ou illustrées pour les produits sont susceptibles de varier sans préavis. Toutes les garanties offertes sont assurées par Electrolux Home Products North America, une division de White Consolidated Industries, Inc. In Canada, l'appareil bénéficie de la garantie de WCI Canada, Inc.

USA

800•944•9044

Electrolux Home Products North America

P.O. Box 212378

Augusta, GA 30917

Canada

866•213•9397 (Anglais)

866•294•9911 (Français)

Electrolux Home Products North America

6150 McLaughlin Road

Mississauga, Ontario, Canada

LSR 4C2

Nettoyage de la Hotte

S'assurer que les lampes se soient refroidies avant d'effectuer le nettoyage de la hotte.

Nettoyage des filtres

- Les filtres métalliques anti-graisse sont réalisés en aluminium anodisé et leur durée de vie est illimitée.
- Nous recommandons de nettoyer les filtres au moins une fois par mois. Les filtres peuvent être lavés à la main ou au lave-vaisselle.
- Evacuer l'eau à travers les trous sur le bord puis laisser sécher totalement les filtres avant de les remonter.

Retrait des filtres métalliques anti-graisse

- Éteindre le rotor de ventilation et les lampes.
- Pousser simultanément au milieu et vers le haut les deux poignées 5, puis sortir les filtres (Figure 10).

Remplacement des filtres métalliques anti-graisse

- Suivre la procédure à rebours.

Remplacement du filtre à charbon

- Le filtre à charbon doit être remplacé une fois par année en conditions d'emploi normales.
- Appuyer sur les deux dispositifs de blocage D et sortir le filtre de son logement.

Nettoyage de la surface de la hotte

- Pour le nettoyage général des hottes blanches ou noires, en acier inox ou en verre, passer sur la surface externe un chiffon imbibé d'eau savonneuse ou de détergent pour emploi domestique (type Fantastick®, Formula 409®, etc.), puis rincer avec soin et sécher avec un chiffon souple et sec afin d'éliminer toute trace.
- Nettoyer puis sécher l'acier inox usiné, en suivant le sens de l'usinage.
- Ne pas utiliser des produits abrasifs.
- Pour éliminer les traces d'empreintes et intensifier l'éclat des surfaces, utiliser des sprays détergents, par exemple: Stainless Steel Magic® et Shimmer®.

Remplacement des lampes

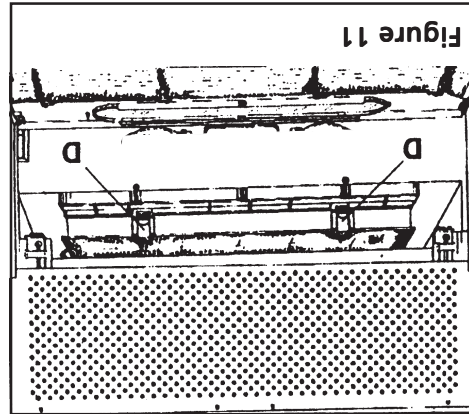


Figure 11

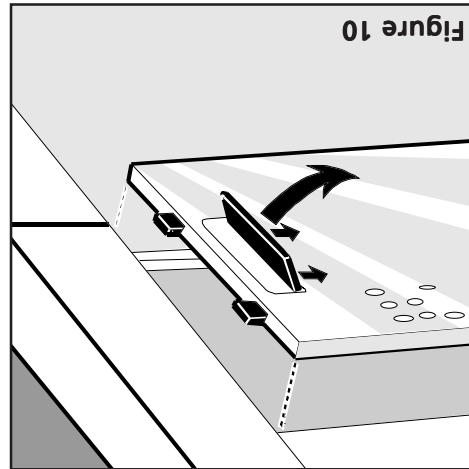


Figure 10

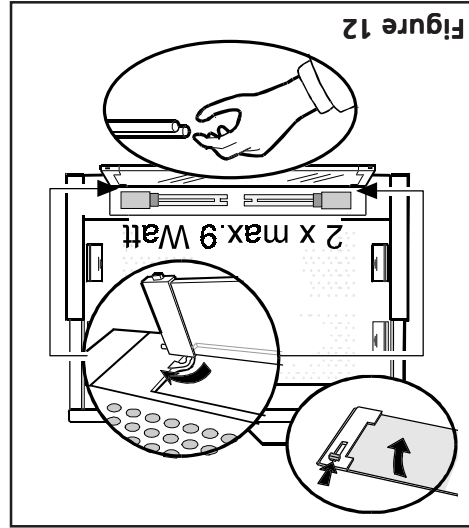


Figure 12

- Retirer le plafonnier Q, en appuyant simultanément sur les deux poussoirs de déblocage R (Figure 12). Pour des raisons de sécurité, il est opportun de sortir le plafonnier à travers les guides de suspension G.
 - Extraire le tube fluorescent et remplacer ce dernier par un tube Philips PL-5 9 Watt (max).
 - Remonter le plafonnier.
- REMARQUE: Éteindre le rotor et les lampes. S'assurer que les lampes soient froides. Si les lampes neuves ne fonctionnent pas, vérifier qu'elles soient insérées correctement avant de contacter le Service après-vente.

LIRE ATTENTIVEMENT LES INSTRUCTIONS AVANT D'UTILISER LA HOTTE.
Afin de pouvoir utiliser la hotte de façon satisfaisante il faut se familiariser avec toutes ses fonctions:

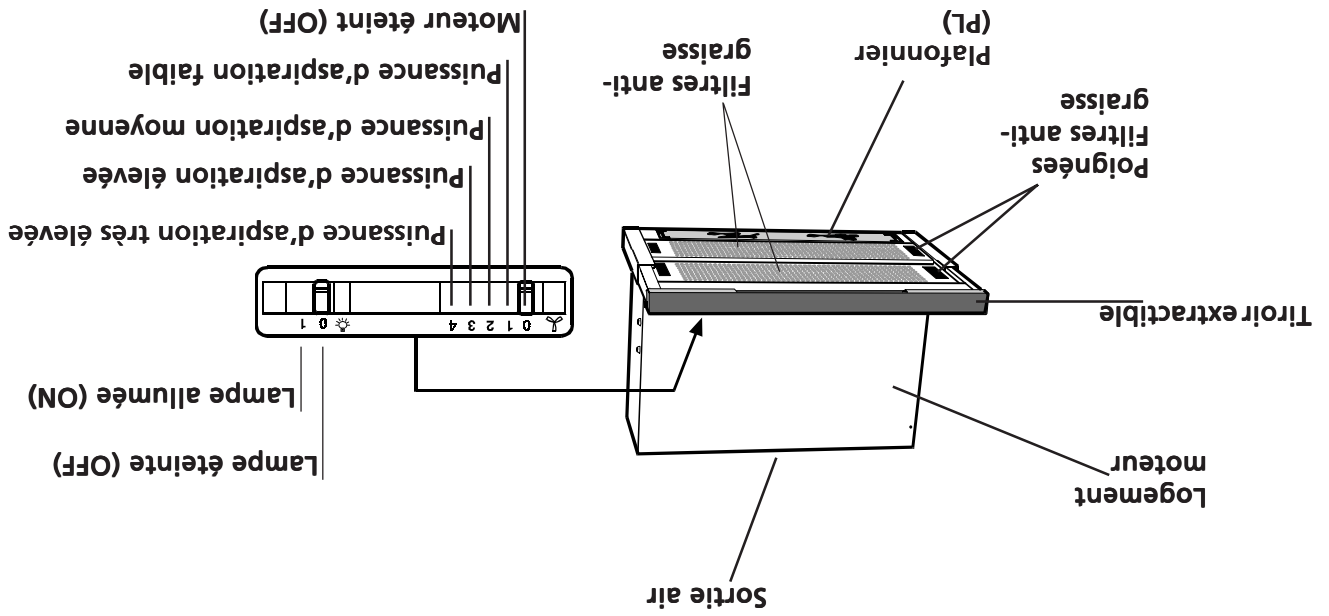


Figure 9

Instructions relatives au fonctionnement

Nous conseillons d'allumer le rotor de ventilation environ 5 minutes avant de commencer la cuisson, afin d'activer le tirage des courants d'air à travers la hotte.
Définir une vitesse réduite pour les conditions d'emploi normales et une vitesse plus élevée en cas de fumée ou odeurs intenses.
Réduire au maximum les courants de tirage transversaux susceptibles de réduire l'efficacité de la hotte.

Fixation de la hotte sur l'armoire murale de la cuisine

Positionner le gabarit de perçage fourni avec la hotte sur le côté interne droit de l'armoire murale, en veillant à ce que le côté "A" coïncide avec la partie arrière.

Effectuer au moins deux trous ayant un diamètre de 2 mm. en correspondance des points 1 et 2 (Figure 5).

Effectuer les mêmes opérations sur le côté interne gauche.

En utilisant les vis **F** (4,5x16), fixer la hotte sur l'armoire murale **Attention!** Pendant la phase de montage de la hotte sur l'armoire murale de la cuisine, après avoir fixé correctement la hotte, il est opportun de vérifier qu'il soit possible d'accéder aisément et en toute sécurité au logement des connexions électriques pour faire les contrôles nécessaires et/ou les interventions d'entretien.

Adaptation du tiroir extractible

Il est possible d'insérer la hotte dans des armoires murales ayant une profondeur différente: dans ce cas, la partie avant du tiroir extractible devra être parfaitement alignée avec l'armoire murale.

Afin d'obtenir un alignement correct, régler les dispositifs d'arrêt qui se trouvent à l'arrière du tiroir extractible.

Pour régler le tiroir extractible, desserrer les vis **M** et insérer éventuellement les équerres **P**, puis serrer les vis **M** (Figure 7).

S'assurer que, en poussant à fond le tiroir extractible, l'alimentation soit totalement coupée par le biais de l'actionnement du microinterrupteur arrière.

Branchement au réseau d'alimentation électrique

AVERTISSEMENTS!

LE PRÉSENT APPAREIL EST ÉQUIPÉ D'UNE BOÎTE DE CONNEXION ÉLECTRIQUE ÉQUIPÉE DE 3 FILS, DONT UN (VERT/JAUNE) EST DESTINÉ À LA CONNEXION DE TERRE DE L'APPAREIL. POUR LA PROTECTION CONTRE LE RISQUE DE CHOC ÉLECTRIQUES, LE FIL VERT ET JAUNE DOIT ÊTRE CONNECTÉ AU FIL DE TERRE DE L'INSTALLATION ÉLECTRIQUE DOMESTIQUE ET IL NE DOIT PAS – POUR QUELQUE RAISON QUE CE SOIT – ÊTRE COUPÉ OU ENLEVÉ.

Avertissement: Avant de préparer les connexions électriques, interrompre le circuit d'alimentation du panneau de commande. Alimentation requise: 120 V C.A., 15 ou 20 Amp.

a. Retirer le couvercle du tiroir extractible, comme illustré dans la Figure 8.

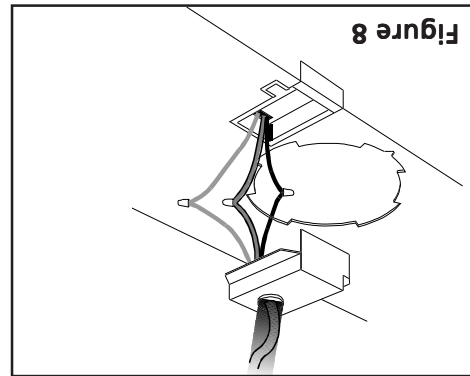
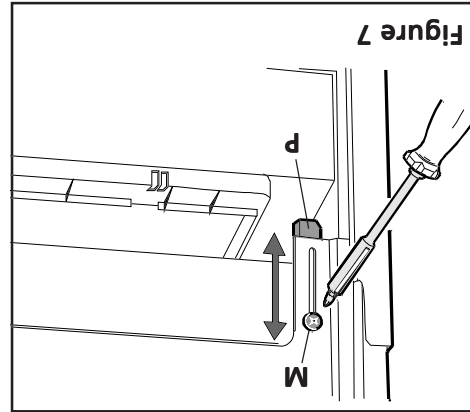
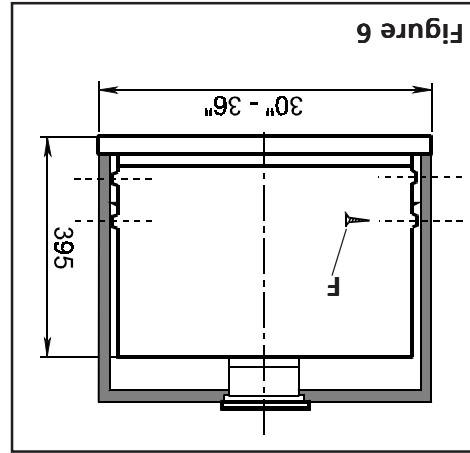
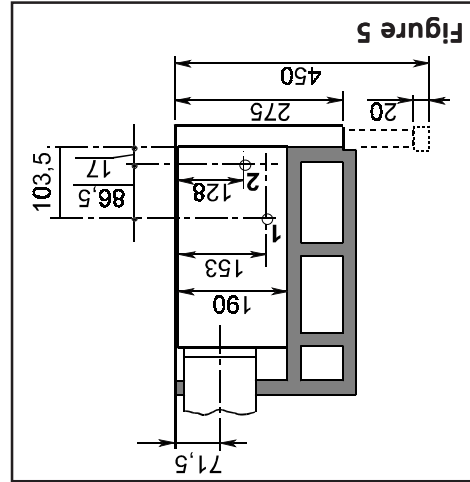
b. Retirer la partie prédecoupée et installer le serre-câble du tube de 1/2" dans la boîte des connexions électriques.

c. Insérer les 3 fils noir, blanc et vert (#16 AWG) dans le tube de 1/2" entre le panneau de commandes et la boîte des connexions électriques.

d. Connecter le fil noir du panneau de commandes avec le fil noir ou rouge de la boîte des connexions électriques, le fil blanc avec le fil blanc et le fil vert avec le fil vert/jaune (Figure 8).

e. Fermer le couvercle de la boîte des connexions électriques, contrôler toutes les lampes afin de vérifier qu'elles soient correctement fixées aux douilles correspondantes, puis brancher au réseau d'alimentation à travers le panneau de commandes. Contrôler les lampes et le fonctionnement du rotor de ventilation en fonction des instructions reportées dans la section Emploi et Entretien du présent manuel, puis effectuer l'installation des filtres.

f. S'assurer que le présent manuel reste à la disposition du propriétaire.



Outils requis pour l'installation
 Tournavis (pozidrive n°2 et torx 10)
 Perceuse électrique
 avec mèche hélicoïdale Ø 2 mm.
 et Ø 6 mm.

Considérations préliminaires à l'installation

Il est possible d'installer la hotte pour les modalités d'emploi suivantes:

- Hotte avec évacuation à l'extérieur
- Hotte filtrante avec recyclage (avec filtre à charbon, disponible sur demande à adresser au fournisseur)

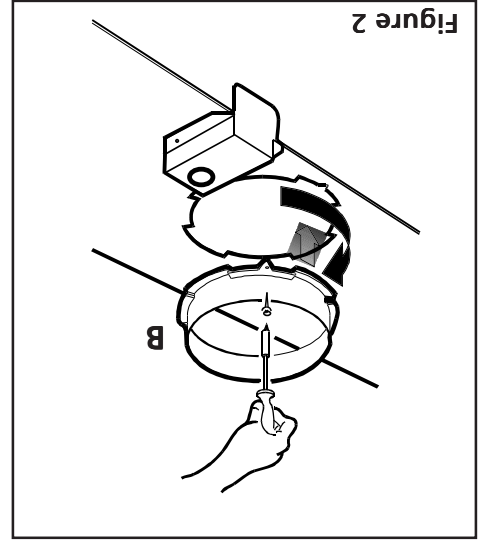


Figure 2

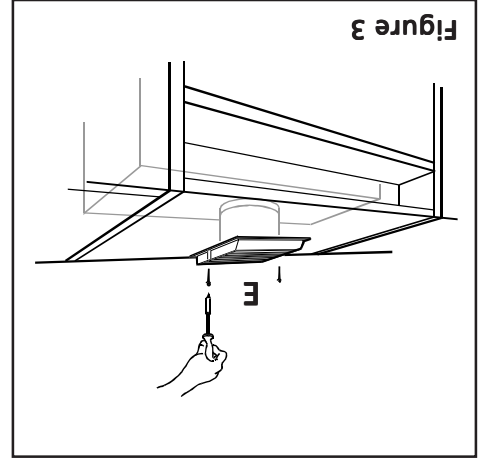


Figure 3

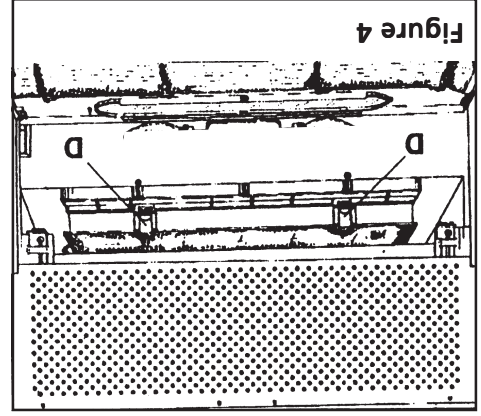


Figure 4

Hotte filtrante avec recyclage

L'air est filtré à travers un filtre à charbon, avant d'être réintroduit dans la pièce.
 Si la hotte n'est pas équipée de filtre, demander ce dernier au service après-vente ou à la société constructrice, en spécifiant exactement le modèle de la hotte.
 Pour installer le filtre, placer celui-ci dans son logement puis fixer au moyen des deux vis **D** (Figure 4).
 L'air filtré est évacué au-dessus de l'armoire murale de la cuisine à travers le déflecteur **E** qui doit être fixé au moyen de deux vis placées directement sur la verticale du trou de sortie de la hotte (si nécessaire, installer une conduite Ø 120 mm. entre la bride de connexion et la marge supérieure du trou sur la partie la plus haute de l'armoire murale (Figure 3).

Hotte à évacuation à l'extérieur

L'air est expulsé vers l'extérieur au moyen d'un tuyau qu'il faut connecter au collier de connexion **B** (Figure 2).
 Dans les conduites horizontales, la conduite doit être légèrement inclinée (d'environ 10°) et orientée vers le haut, afin de faciliter l'évacuation de l'air depuis la pièce vers l'extérieur.
 Sur demande, il est possible d'obtenir un clapet de retenue des fumées qu'il faut monter sur le collier de connexion.

UNIQUEMENT POUR EMPLOI RÉSIDENTIEL.

NE PAS INSTALLER SUR LES GRILLES AVEC CHAUFFAGE AU GAZ.

AVANT D'UTILISER L'APPAREIL, LIRE ATTENTIVEMENT LES PRÉSENTES INSTRUCTIONS.

L'INSTALLATION DOIT ÊTRE EFFECTUÉE CONFORMÉMENT AUX RÉGLEMENTS LOCAUX.

IMPORTANT: Conserver les présentes instructions pour l'emploi destinées à l'inspecteur de la société électrique.

INSTALLATEUR: Conserver avec l'appareil les présentes instructions pour l'emploi destinées au propriétaire.

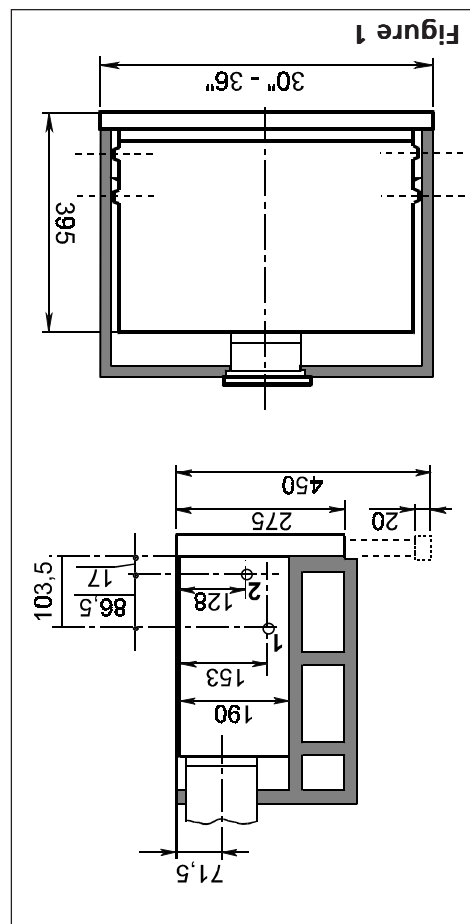
PROPRIÉTAIRE: Conserver les présentes instructions pour toute éventuelle consultation à l'avenir.

Avertissements concernant la sécurité: Avant d'effectuer le branchement de l'appareil, couper le circuit

d'alimentation et bloquer le panneau de commandes.

Alimentation requise: 120 V C.A., 60 Hz. 15 ou 20 A

Dimensions



Avant d'effectuer l'installation de la hotte

1. Afin d'obtenir une efficacité maximum d'évacuation de l'air, utiliser une conduite linéaire ou réduire au maximum le nombre des coudes présents. **ATTENTION:** Evacuer l'air de l'unité exclusivement à l'extérieur de l'édifice.
2. Utiliser des canalisations flexibles en métal, si autorisées dans votre région, uniquement pour connecter la conduite rigide directement aux dispositifs de raccordement.
3. Les équipements installés dans des régions au CLIMAT FROID doivent avoir un clapet de retenue des fumées pour réduire au maximum l'écoulement de l'air froid de retour, outre à une protection thermique non métallique pour minimiser l'influence de la température externe à travers le réseau des canalisations. Il est opportun d'installer le clapet sur le côté de l'air froid de la protection thermique et de placer la protection le plus près possible du point d'entrée des canalisations dans la partie réchauffée de l'édifice.

4. La hauteur pour l'installation de la hotte sur le plan de la cuisine doit être établie en fonction des exigences de l'utilisateur. Plus la hotte sera placée en bas, par rapport à la cuisine, plus l'aspiration des vapeurs et des odeurs de cuisson, de la graisse et de la fumée sera efficace. Nous recommandons d'installer la hotte à une hauteur de 18,5" minimum par rapport au plan de cuisson électrique et de 25,6" par rapport au plan de cuisson à gaz. Avant de choisir la hotte, vérifier la hauteur du plafond et la hauteur maximum utilisable par rapport à la hotte.

AVERTISSEMENT – POUR RÉDUIRE LES RISQUES D'INCENDIES, CHOCs ÉLECTRIQUES OU ACCIDENTS, SUIVRE LES INDICATIONS SUIVANTES:

- a) Confier l'installation et l'adaptation des connexions électriques à un personnel qualifié qui opère conformément aux normes et aux dispositions établies, y compris aux normes de construction anti-incendie.
- b) Dans les installations alimentées avec du combustible, il faut qu'il y ait une quantité d'air suffisante, afin de garantir une combustion appropriée et une correcte évacuation des gaz à travers le carneau montant (cheminée), de façon à éviter le retour des fumées. Suivre les directives fournies par le constructeur de l'appareil de chauffage ainsi que les normes de sécurité émises par des associations telles que la «National Fire Protection Association (NFPA)», la «American Society for Heating», la «Refrigeration and Air Conditioning Engineers (ASHRAE)», et les autorités locales compétentes.
- c) Lors du percement de parois ou de plafonds, effectuer les opérations nécessaires avec précaution, afin de ne pas endommager les connexions électriques et les autres branchements des services généraux non visibles.
- d) Les rotors de ventilation carénés doivent toujours être équipés d'un système d'évacuation à l'extérieur.

AVERTISSEMENT - POUR RÉDUIRE LES RISQUES D'INCENDIES, UTILISER UNIQUEMENT DES CONDUITES MÉTALLIQUES.



⚠ Avertissement

Risque de choc électrique. Peut occasionner des blessures sérieuses ou la mort. Débranchez l'appareil de la source d'alimentation avant de procéder au service d'entretien. Si l'appareil est muni d'une lampe fluorescente, celle-ci contient des petites quantités de mercure qui doivent être recyclées ou mises aux rebuts conformément aux règlements municipaux ainsi qu'aux lois provinciales et fédérales.

Informations importantes relatives à la sécurité

LIRE ET CONSERVER LES PRÉSENTES INSTRUCTIONS

Faire extrêmement attention lors de l'emploi

de substances nettoyantes ou détergentes.

Aptitude à l'emploi dans l'environnement domestique/cuisine

ATTENTION – Afin de réduire le risque d'incendies et de garantir une évacuation de l'air appropriée il faut prévoir une conduite pour l'évacuation de l'air à l'extérieur. Ne pas évacuer l'air dans des espaces délimités par des parois/plafonds, atterrages, passages ou garages.

ATTENTION – Uniquement pour la ventilation générale. Ne pas utiliser l'appareil pour l'évacuation de matériaux et vapeurs dangereux ou explosifs.

AVERTISSEMENT – AFIN DE RÉDUIRE LE RISQUE D'INCENDIES, CHOC ÉLECTRIQUES OU ACCIDENTS, RESPECTER LES DESCRIPTIONS SUIVANTES:

- Utiliser l'appareil sur la base des instructions fournies par le constructeur. En cas de doutes ou pour toute explication ultérieure, s'adresser à la société constructrice.
- Avant d'effectuer le nettoyage ou l'entretien, couper l'alimentation du panneau de commandes puis bloquer le dispositif de déconnexion du courant afin d'éviter tout risque d'actionnement involontaire. S'il devait se révéler impossible de bloquer le dispositif de déconnexion, appliquer un signal d'avertissement approprié (par exemple: un panneau), bien visible et en position stable, sur le panneau de commandes.

AVERTISSEMENT – POUR RÉDUIRE LES RISQUES D'INCENDIES PROVOQUÉS PAR LE RENVERSEMENT DE GRAISSE SUR LE PLAN DE LA CUISINE:

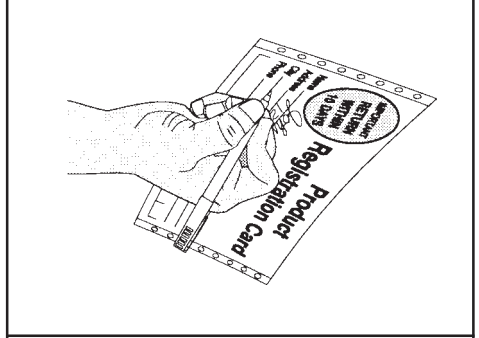
- Ne jamais laisser sans surveillance les appareils de cuisson réglés au maximum. La cuisson à puissance élevée est susceptible de générer des fumées et de provoquer le renversement de graisse pouvant s'enflammer. Réchauffer lentement et à faible puissance l'huile ou la graisse.
- Allumer toujours la hotte (position ON) pendant le réchauffement à température élevée ou la cuisson à la flamme.
- Nettoyer fréquemment les rotors de ventilation. Ne pas laisser que la graisse s'accumule sur le rotor de ventilation ou sur le filtre.
- Utiliser des poêles ou casseroles de dimensions appropriées. Choisir toujours des outils de cuisine appropriés en fonction des dimensions du plan.

AVERTISSEMENT – POUR RÉDUIRE LES RISQUES D'ACCIDENTS SUITE AUX INCENDIES PROVOQUÉS PAR LE RENVERSEMENT DE GRAISSE SUR LE PLAN DE LA CUISINE, SUIVRE LES INSTRUCTIONS SUIVANTES:

- Essayer d'ÉTOUFFER LES FLAMMES au moyen d'un couvercle de petites dimensions, un plateau métallique ou une feuille de papier d'aluminium, puis éteindre le brûleur. EFFECTUER LES OPÉRATIONS NÉCESSAIRES AVEC PRÉCAUTIONS, AFIN D'ÉVITER TOUT RISQUE DE BRÛLURES. Si les flammes ne s'éteignent pas immédiatement, ÉVACUER LES LOCAUX PUIS CONTACTER LES SAPEURS-POMPIERS.
- NE JAMAIS SOULEVER UNE CASSEROLE EN FLAMMES: il y a le risque de se brûler.
- NE PAS UTILISER DE L'EAU, des torchons ou serviettes mouillées: il existe le risque qu'une violente explosion de vapeur se produise.
- Utiliser un extincteur UNIQUEMENT à condition que:
 - L'on soit sûr de pouvoir disposer d'un extincteur de Classe ABC, et l'on soit déjà en mesure de l'utiliser.
 - L'incendie soit réduit et limité à la zone dans laquelle il s'est développé.
 - L'on ait déjà contacté les sapeurs-pompiers.
 - L'on puisse utiliser l'extincteur en ayant les épaules tournées vers la sortie.

Enregistrement de l'appareil

Enregistrer l'appareil
La CARTE D'ENREGISTREMENT
préalablement adressée doit être
remplie en entier, signée et
retournée à Frigidaire Canada.



Le présent guide de l'utilisateur décrit le mode d'emploi général de cette hotte ainsi que les caractéristiques de plusieurs autres modèles. Certaines des caractéristiques décrites peuvent donc **ne pas** s'appliquer à votre hotte.

Remarque: Les directives qui figurent dans ce guide de l'utilisateur ne sauraient couvrir toutes les circonstances et les situations possibles. Il faut donc faire preuve de jugement et de prudence pendant l'installation, l'utilisation et l'entretien de tout appareil électroménager.

Merci d'avoir choisi cet appareil. Les renseignements contenus dans ce guide de l'utilisateur expliquent comment utiliser et entretenir la hotte. Lire les documents qui accompagnent l'appareil pour en savoir davantage sur cette hotte.

Noter le numéro de modèle et le numéro de série

Noter ci-dessous le numéro de modèle et le numéro de série inscrits sur la plaque signalétique située sur le côté droit du cadre avant, dans le tiroir de rangement.

Numéro de modèle: _____

Numéro de série: _____

Date d'achat: _____

GUIDE DE L'UTILISATEUR

GLHV30T4KC - GLHV30T4KW
GLHV36T5KC - GLHV36T5KW

LISEZ ET CONSERVEZ CES INSTRUCTIONS

Table des matières	
Enregistrement de l'appareil	2
Informations importantes relatives à la sécurité	3-4
Installation	5-7
Emploi et entretien	8
Nettoyage de la hotte	9
Remplacemement des lampes	9
Garantie	10

Hotte de cuisine