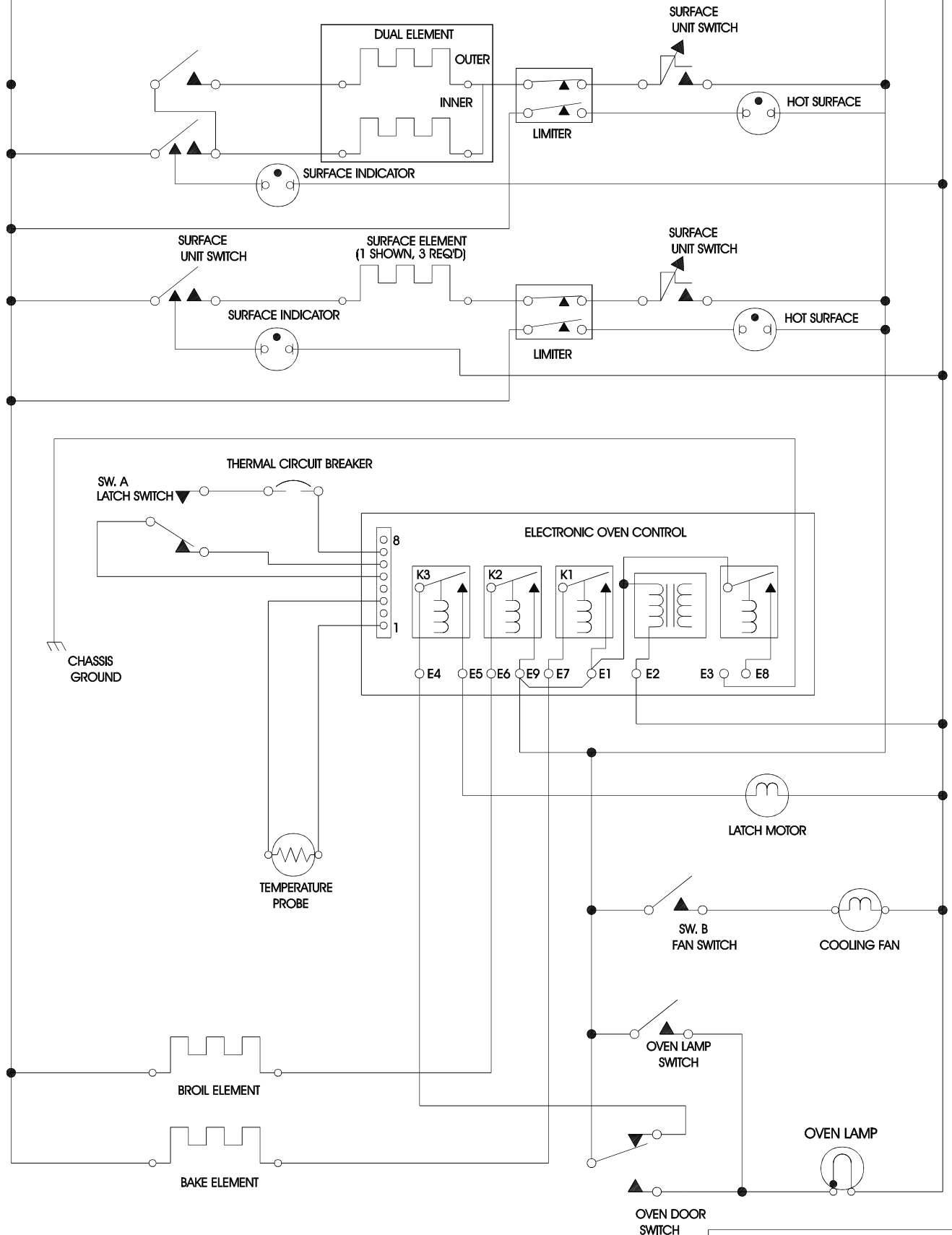


L1

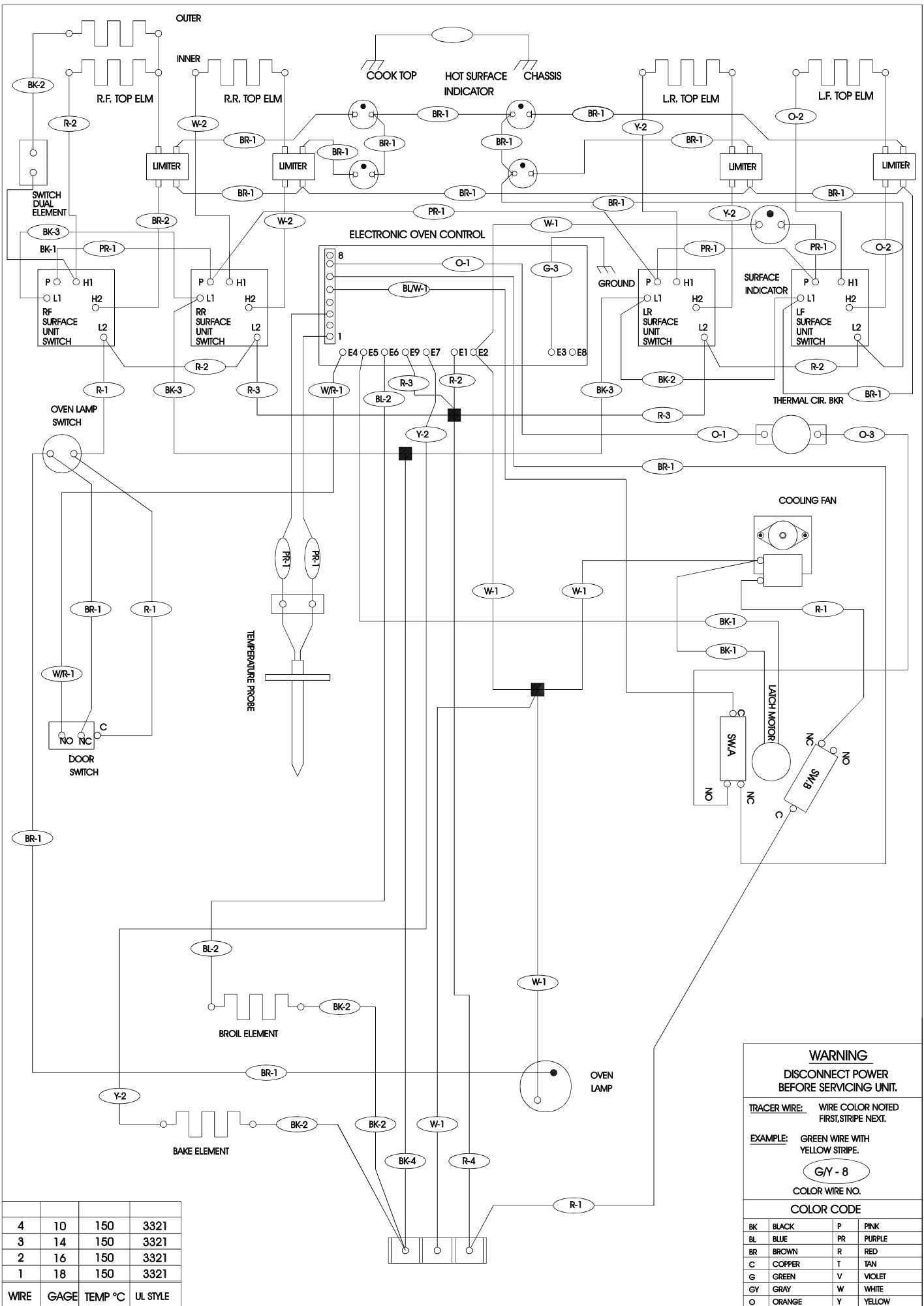
L2 N



NOTE: CIRCUIT SHOWN WITH ALL CONTROLS SET TO "OFF".  
OVEN DOOR CLOSED AND UNLOCKED.

318045022

REV: A



WIRE	GAGE	TEMP °C	UL STYLE
4	10	150	3321
3	14	150	3321
2	16	150	3321
1	18	150	3321

**WARNING**  
DISCONNECT POWER BEFORE SERVICING UNIT.

TRACER WIRE: WIRE COLOR NOTED FIRST STRIPE NEXT.

EXAMPLE: GREEN WIRE WITH YELLOW STRIPE.  
  
 G/Y - 8  
 COLOR WIRE NO.

**COLOR CODE**

BK	BLACK	P	PINK
BL	BLUE	PR	PURPLE
BR	BROWN	R	RED
C	COPPER	T	TAN
G	GREEN	V	VIOLET
GY	GRAY	W	WHITE
O	ORANGE	Y	YELLOW