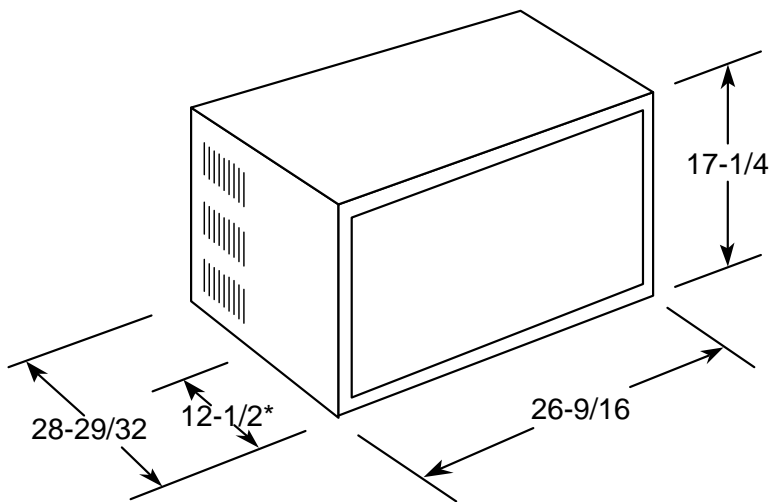




GE Appliances

ABM22DA - GE Deluxe 230 Volt Room Air Conditioner

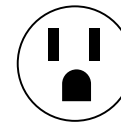
Wall Case Dimensions (in inches)



* Distance from front of case to side louvers (excluding grille).

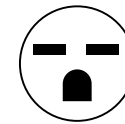
Note: When installing units in through-the-wall applications, keep louvers free. Do not restrict air flow areas. Fixed chassis units are not designed for through-the-wall applications.

Parallel



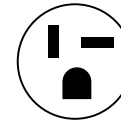
115V
15 Amp

Tandem



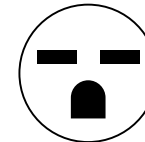
230/208V
15 Amp

Perpendicular



230/208V
20 Amp

Large Tandem



230/208V
30 Amp

Wall Outlets: All wiring including installation of receptacle must be made in accordance with local electrical codes and regulations. Electrical outlet should be in reach of line cord.

Note: Aluminum wiring may pose special problems—consult a qualified electrician.

Revised 12/98

For answers to your Monogram[®],
GE Profile Performance Series[™],
GE Profile[™] or GE appliance questions, call
GE Answer Center[®] service, 800.626.2000.



Total capacity and E.E.R. ratings are calculated based on the Association of Home Appliance Manufacturers' standards.

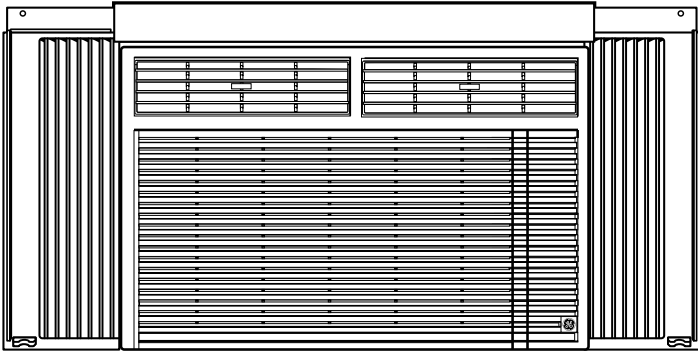


Listed by
Underwriters
Laboratories



GE Appliances

ABM22DA - GE Deluxe 230 Volt Room Air Conditioner



Features and Benefits

- Contemporary White Front
- 22,000/21,600 BTUH, 8.2/8.2 EER, 230/208 Volts
- Energy Saver Switch for Reduced Energy Consumption
- 10-Position Thermostat
- 3 Cooling / 1 Fan Speeds
- EZ Mount Window Installation
- Hidden Controls Provide a Clean Contemporary Appearance
- Exhaust for Air Exchange
- Slide-Out Chassis
- Plug Type - Perpendicular