

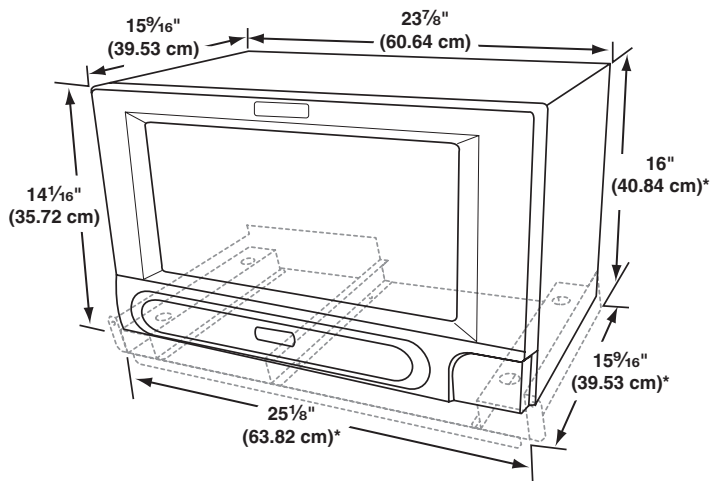
KitchenAid® Built-in Microwave Oven with Trim

PRODUCT MODEL SERIES

KOMV1554R

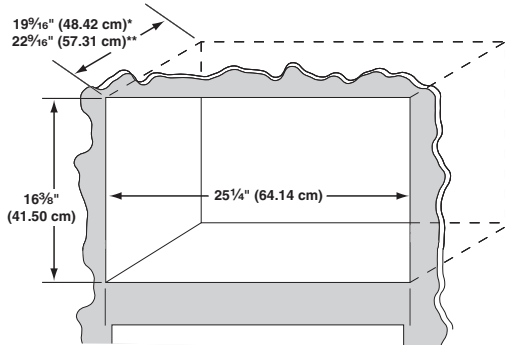
Electrical: A 120 Volt, 60 Hz, AC only, 15- or 20-amp fused electrical supply (or circuit breaker) is required. (A time-delay fuse or circuit breaker is recommended.) It is recommended that a separate circuit serving only this appliance be provided.

OVERALL DIMENSIONS



*Measurements include bottom duct. Width does not include side flares of bottom duct.

CABINET OPENING DIMENSIONS



*With flush receptacle.

**With non-flush receptacle.

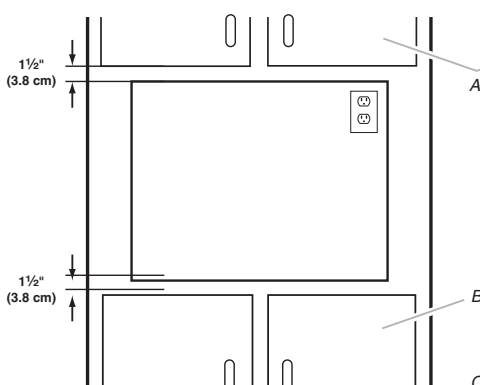
Width 25 1/4" (64.14 cm) min., 25 1/2" (64.77 cm) max.

Height 16 3/8" (41.50 cm) ± 3/8" (9.5 mm)

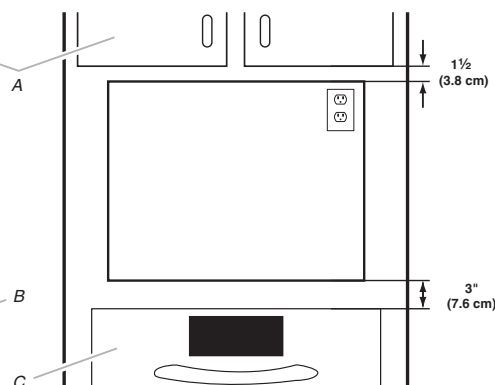
Depth 19 9/16" (48.42 cm) min. with flush receptacle,
22 9/16" (57.31 cm) min. with non-flush receptacle

MINIMUM INSTALLATION CLEARANCES

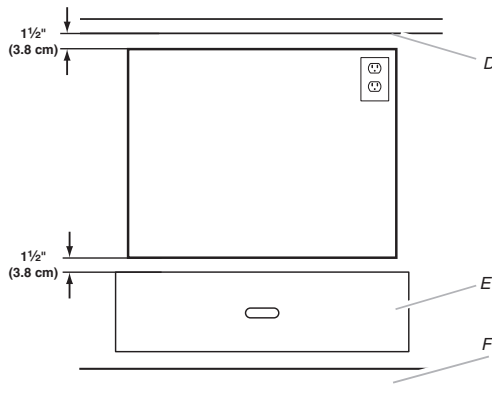
Above Cabinet/Storage Drawer Installation



Above Oven/Warming Drawer Installation



Below Counter Installation



A. Upper cabinet
B. Lower cabinet or storage drawer
C. Lower oven or warming drawer
D. Counter
E. Storage drawer
F. Toe kick