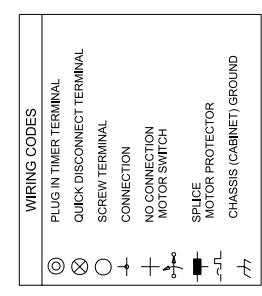
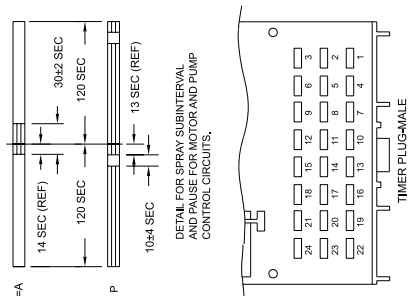
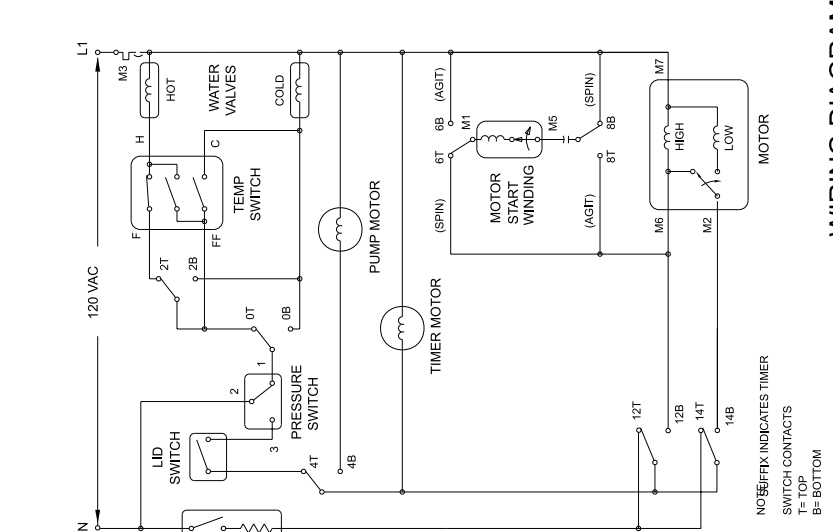
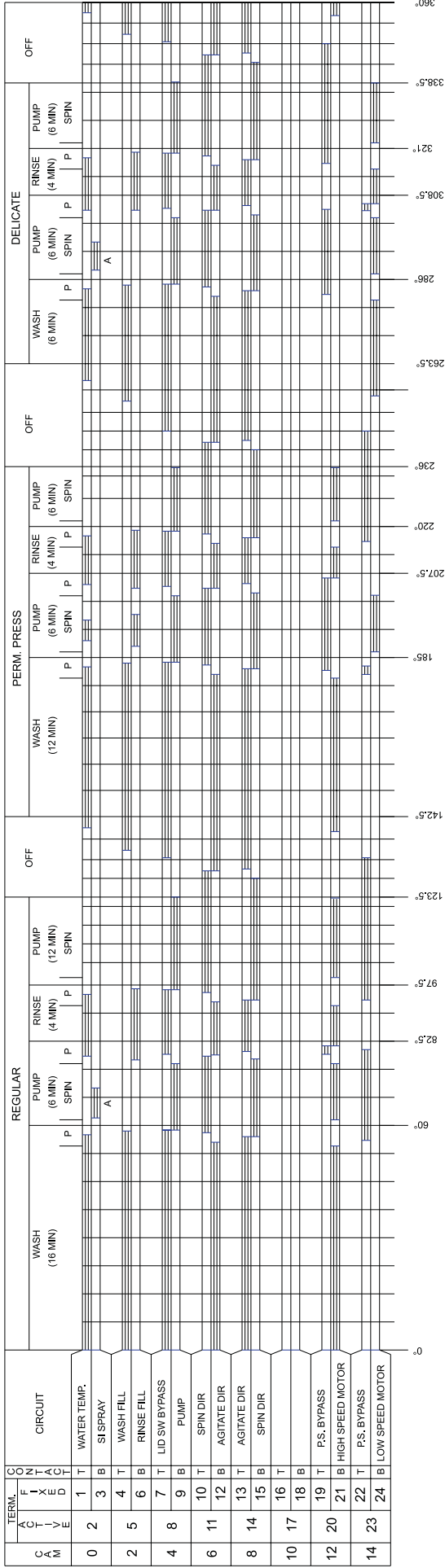
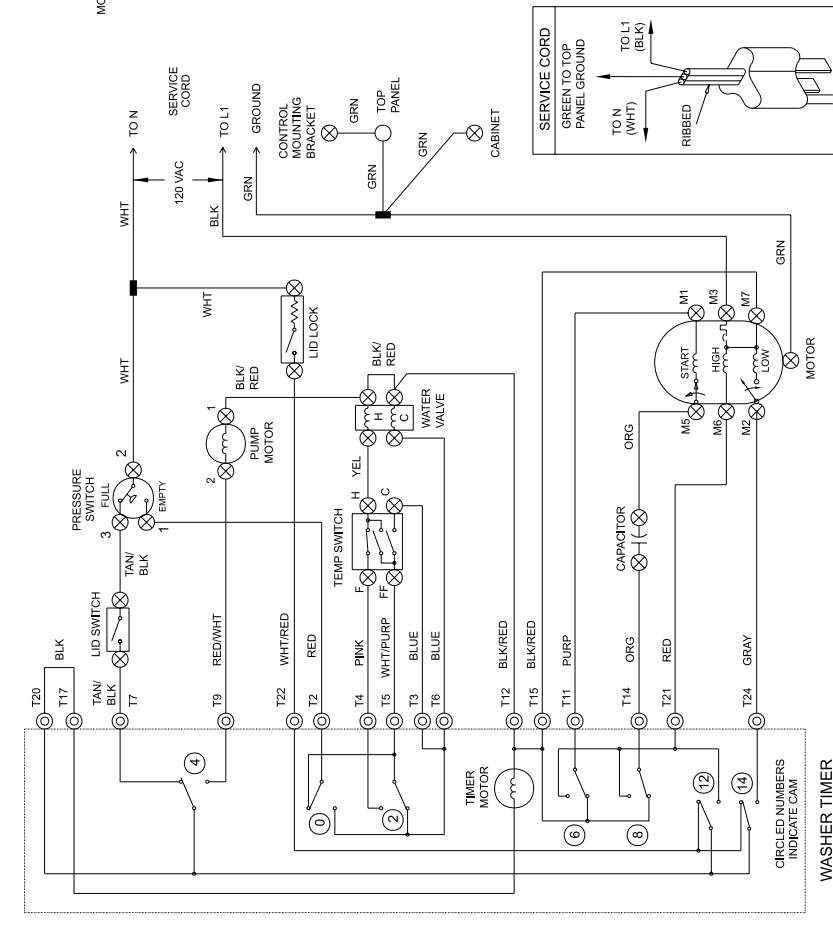


CAUTION: DISCONNECT ELECTRIC CURRENT BEFORE SERVICING



TEMPERATURE SWITCH CIRCUIT				
	F-H	FF-H	FF-C	
WASH/RINSE	X	O	O	
HOT/COLD	X	O	X	
WARM/COLD	X	O	X	
COLD/COLD	O	O	X	
WARM/WARM(OPT)	O	X	X	



WIRING DIAGRAM
134126600

NO PREFIX INDICATES TIMER
SWITCH CONTACTS
T= TOP
B= BOTTOM

WIRING CODES
PLUG IN TIMER TERMINAL
QUICK DISCONNECT TERMINAL
SCREW TERMINAL
CONNECTION
NO CONNECTION
MOTOR SWITCH
SPLICE
MOTOR PROTECTOR
CHASSIS (CABINET) GROUND



CIRCLED NUMBERS INDICATE CAM

WASHER TIMER

0=OPEN X=CLOSED
(OPT)=OPTIONAL, NOT IN ALL MODELS