

# Electrolux Icon Built-In Side by Side Refrigerators

**Safety Instructions** ..... 2-4

**Operating Instructions**

Automatic Icemaker ..... 10  
Care and Cleaning ..... 12, 13  
Drawers and Baskets ..... 9  
Ice and Water Dispenser ..... 10, 11  
Refrigerator Doors ..... 8  
Replacing the Light Bulbs ..... 14  
Shelves and Bins ..... 7  
Temperature Controls ..... 5  
Water Filter ..... 6

**Installation Instructions**

Anti-Tip Brackets ..... 30  
Dimensions, Clearances ..... 17  
Door, Grille Panels ..... 32, 33  
Installation Space ..... 17  
Leveling ..... 31  
Panel Dimensions ..... 21-26  
Stainless Steel Handles ..... 34  
Water Line ..... 29  
Water Supply ..... 35

**Troubleshooting Tips** ..... 38-40

Normal Operating Sounds ..... 37

**Consumer Support**

Consumer Support ..... Back Cover  
Performance Data Sheet ..... 43  
State of California Water  
Treatment Device Certificate ..... 44  
Warranty (Canadian) ..... 41  
Warranty (U.S.) ..... 42

**Write the model and serial numbers here:**

**Model #** \_\_\_\_\_

**Serial #** \_\_\_\_\_

Find these numbers on a label inside the refrigerator compartment at the top on the right side.

**Owner's Manual and  
Installation Instructions**

Model 42

---

*Electrolux Icon* Côte à Côte  
**Réfrigérateurs**

**Manuel d'utilisation  
et d'installation**

La section française commence à la page 45

---

*Electrolux Icon* Lado a Lado  
**Refrigeradores**

**Manual del propietario  
e instalación**

La sección en español empieza en la página 88

# IMPORTANT SAFETY INFORMATION. READ ALL INSTRUCTIONS BEFORE USING.

## **⚠ WARNING!**

Use this appliance only for its intended purpose as described in this Owner's Manual.



## SAFETY PRECAUTIONS

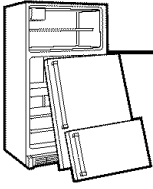
When using electrical appliances, basic safety precautions should be followed, including the following:

- This refrigerator must be properly installed and located in accordance with the Installation Instructions before it is used.
- Do not allow children to climb, stand or hang on the shelves in the refrigerator. They could damage the refrigerator and seriously injure themselves.
- Do not touch the cold surfaces in the freezer compartment when hands are damp or wet. Skin may stick to these extremely cold surfaces.
- Do not store or use gasoline or other flammable vapors and liquids in the vicinity of this or any other appliance.
- In refrigerators with automatic icemakers, avoid contact with the moving parts of the ejector mechanism, or with the heating element located on the bottom of the icemaker. Do not place fingers or hands on the automatic icemaking mechanism while the refrigerator is plugged in.
- Keep fingers out of the “pinch point” areas; clearances between the doors and between the doors and cabinet are necessarily small. Be careful closing doors when children are in the area.
- Set the master power switch to the **O (off)** position before cleaning or making repairs.

**NOTE:** We strongly recommend that any servicing be performed by a qualified individual.

- Do not refreeze frozen foods that have thawed completely.

# **⚠ DANGER! RISK OF CHILD ENTRAPMENT**



## *PROPER DISPOSAL OF THE REFRIGERATOR*

Child entrapment and suffocation are not problems of the past. Junked or abandoned refrigerators are still dangerous...even if they will sit for "just a few days." If you are getting rid of your old refrigerator, please follow the instructions below to help prevent accidents.

### ***Before You Throw Away Your Old Refrigerator or Freezer:***

- Take off the doors.
- Leave the shelves in place so that children may not easily climb inside.

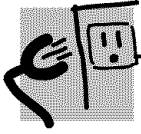
### ***Refrigerants***

All refrigeration products contain refrigerants, which under federal law must be removed prior to product disposal. If you are getting rid of an old refrigeration product, check with the company handling the disposal about what to do.

**IMPORTANT SAFETY INFORMATION.  
READ ALL INSTRUCTIONS BEFORE USING.**

**Safety Instructions**

**⚠ WARNING!**



**HOW TO CONNECT ELECTRICITY**

*Do not, under any circumstances, cut or remove the third (ground) prong from the power cord. For personal safety, this appliance must be properly grounded.*

The power cord of this appliance is equipped with a 3-prong (grounding) plug, which mates with a standard 3-prong (grounding) wall outlet to minimize the possibility of electric shock hazard from this appliance.

Have the wall outlet and circuit checked by a qualified electrician to make sure the outlet is properly grounded.

If the outlet is a standard 2-prong outlet, it is your personal responsibility and obligation to have it replaced with a properly grounded 3-prong wall outlet.

The refrigerator should always be plugged into its own individual electrical outlet which has a voltage rating that matches the rating plate.

This provides the best performance and also prevents overloading house wiring circuits, which could cause a fire hazard from overheated wires.

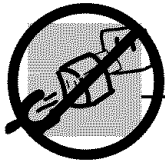
Never unplug your refrigerator by pulling on the power cord. Always grip plug firmly and pull straight out from the outlet.

Repair or replace immediately all power cords that have become frayed or otherwise damaged. Do not use a cord that shows cracks or abrasion damage along its length or at either end.

When moving the refrigerator, be careful not to roll over or damage the power cord.

**Operating Instructions**

**Installation Instructions**



**DO NOT USE AN ADAPTER PLUG OR EXTENSION CORD**

*(Adapter plugs not permitted in Canada)*

*Do not use an adapter plug to connect the refrigerator to a 2-prong outlet.  
Do not use an extension cord with this appliance.*

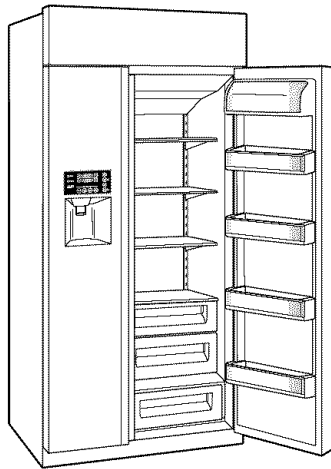
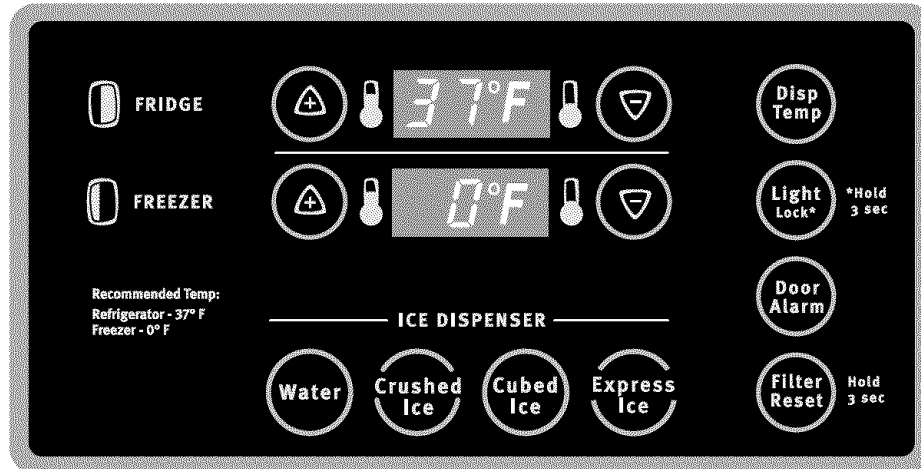
**Troubleshooting Tips**



**READ AND FOLLOW THIS SAFETY INFORMATION CAREFULLY.**

**SAVE THESE INSTRUCTIONS**

**Consumer Support**



The temperature controls are preset in the factory at **37°F** for the refrigerator compartment and **0°F** for the freezer compartment. Allow 24 hours for the temperature to stabilize to the preset recommended settings.

**The actual temperature may vary slightly from the set temperature based on usage and operating environment.**

**NOTE:** The refrigerator is shipped with protective film covering the temperature controls. If this film was not removed during installation, remove it now.

To change the temperature, press and release the up or down arrow button. To change the temperature, tap either the up arrow for warmer temperatures or the down arrow for colder temperatures until the desired temperature is displayed. Refrigerator temperatures can be adjusted between 34 °F and 46°F and the freezer temperatures can be adjusted between -6 °F and +6°F.

Once the desired temperature has been set, the temperature display will clear after 60 seconds.

To display the temperature, the **Disp Temp** button may be tapped.

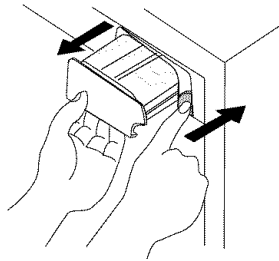
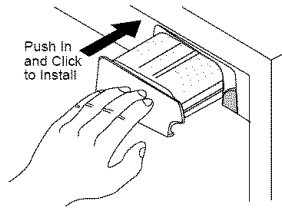
Several adjustments may be required. Each time you adjust controls, allow 24 hours for the refrigerator to reach the temperature you have set.

## Performance Air Flow System

The Performance Air-Flow System is designed to maximize temperature control in the refrigerator and freezer compartments. This unique special feature consists of the Air Tower along the back

wall of the refrigerator and the freezer. Placing food in front of the louvers on these components will not affect performance.

## About the water filter. (on some models)



### Water Filter Cartridge

The water filter is located in the fresh food compartment in the upper right side.

### When to Replace the Filter

There is a replacement indicator light for the water filter cartridge on the dispenser. This light will turn amber to tell you that you need to replace the filter soon.


The filter cartridge should be replaced when the replacement indicator light turns red or if the flow of water to the dispenser or icemaker decreases.

### Installing the Filter Cartridge

The filter cartridge is designed to filter for approximately 6 months under normal household usage

- 1 If you are replacing the cartridge, first remove the old one by depressing the ejection button
- 2 Insert the new filter with approximately 1 lb. of force so that the filter is completely seated

**NOTE:** If the filter is not seated properly, water may leak from the filtration system or no water will be dispensed.

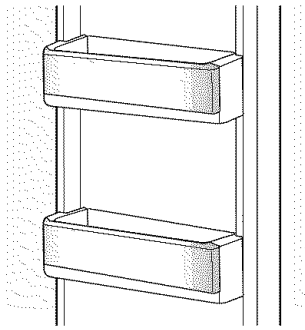
- 3 Run water from the dispenser for 3 minutes (about 1½ gallons) to clear the system and prevent sputtering.
- 4 Press and hold the  button on the dispenser for 3 seconds.

**NOTE:** The dispenser and the icemaker will not operate without the filter.

### Replacement Filters:

To order additional filter cartridges in the United States, visit our Website, [ElectroluxUSA.com](http://ElectroluxUSA.com) or call 1-877-4ELECTROLUX

Not all features are on all models.



Refrigerator bins

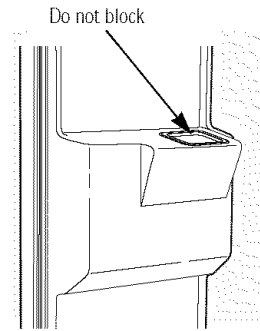
## Refrigerator Door Bins and Freezer Door Bins

All door bins, except for the deep gallon door bin and freezer bins, are adjustable and can be moved up and down to meet your storage needs. The deep gallon door bin and the freezer bins can be removed for cleaning.

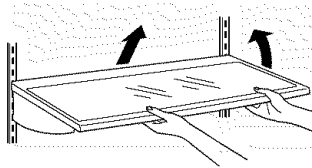
**To remove any bin:** Lift the bin up and pull it toward you.

**To replace or relocate:** Engage the back side of the bin in the molded supports on the door. Then push down on the front of the bin. Bin will lock in place.

**The snugger** helps prevent tipping, spilling or sliding of small items stored on the door shelf. Place a finger on either side of the snugger near the rear and move it back and forth to fit your needs.



Top freezer bin



## Spillproof Shelves and Freezer Shelves

The special edges are designed to help prevent spills from dripping to lower shelves.

**To remove shelves:**

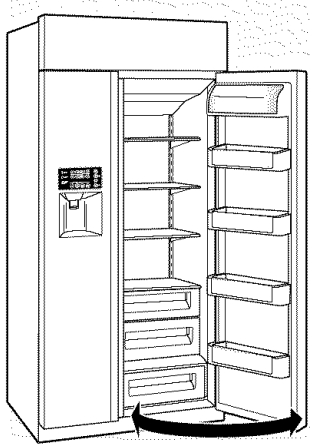
Tilt shelf up at front, then lift it up and out of tracks on rear wall of refrigerator.

**To replace shelves:**

Select desired shelf height. With shelf front raised slightly, engage top lugs in tracks at rear of cabinet. Then lower front of shelf until it locks into position.

*Make sure you push the shelves all the way back in before you close the door.*

## About the refrigerator doors.



When the door is at 90° open, it will automatically close.

Beyond this **stop** the door will stay open.

### Refrigerator Doors

The refrigerator doors may feel different than the ones you are used to. The special door opening/closing feature makes sure the doors close all the way and are securely sealed.

When opening and closing the door, you will notice a **stop** position. When the door is at the 90° stop position, it will automatically close.

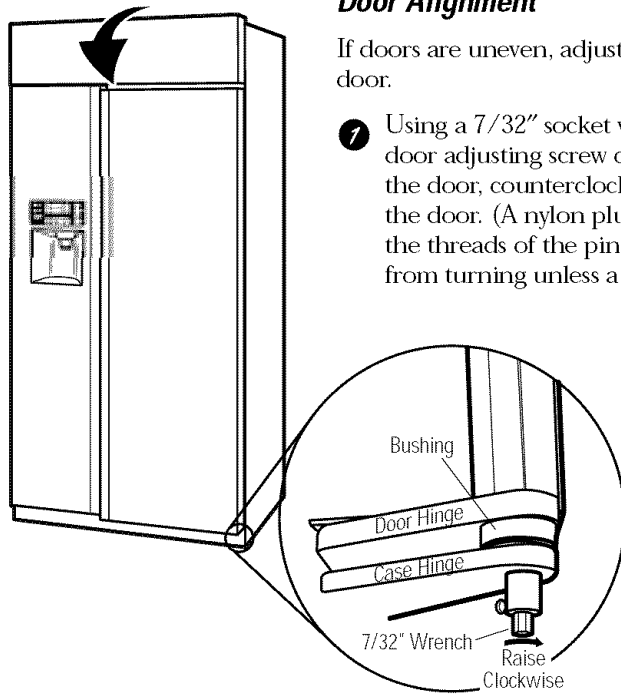
The resistance you feel at the **stop** position will be reduced as the door is loaded with food.

### Door Alignment

If doors are uneven, adjust the refrigerator door.

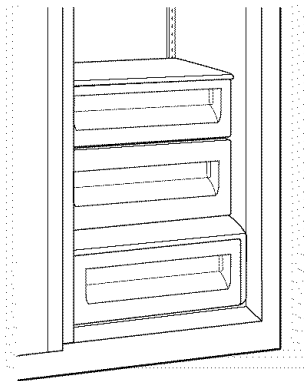
- Using a 7/32" socket wrench, turn the door adjusting screw clockwise to raise the door, counterclockwise to lower the door. (A nylon plug, imbedded in the threads of the pin, prevents the pin from turning unless a wrench is used.)

- After one or two turns of the wrench, open and close the refrigerator door and check the alignment at the top of the doors.



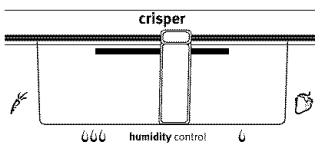


Not all features are on all models.



## Fruit and Vegetable Drawers

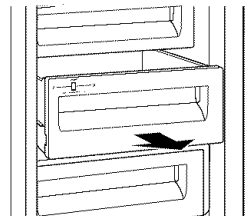
Excess water that may accumulate in the bottom of the drawers should be wiped dry.



## Adjustable Humidity Drawers

Slide the control all the way to the **HI** setting to provide high humidity recommended for most vegetables.

Slide the control all the way to the **LO** setting to provide lower humidity levels recommended for most fruits.



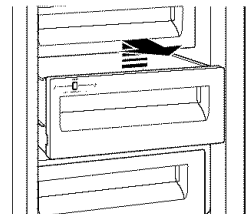
## How to Remove and Replace the Drawers and Freezer Baskets

### To remove fresh food drawers:

- 1 Pull the desired drawer out to the stop position.
- 2 Lift up slightly on the front of the drawer.
- 3 Pull the drawer slightly forward and out of the refrigerator.

### To replace fresh food drawers:

- 1 Tip the back rollers of the drawer behind the rollers in the track.
- 2 Lower the front of the drawer into normal position.
- 3 Slide the drawer to the back of the refrigerator.

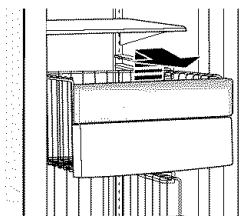
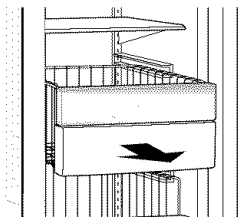


### To remove freezer baskets:

- 1 Pull the desired basket out to the stop position.
- 2 Lift up slightly on the front of the basket.
- 3 Pull the basket slightly forward and out of the freezer.

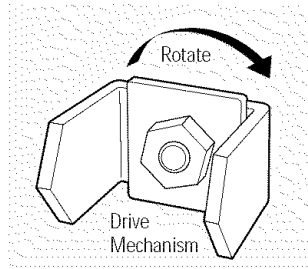
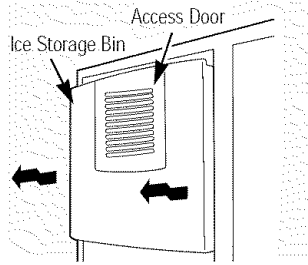
### To replace freezer baskets:

- 1 Place the back corners in the rail with the basket tilted up.
- 2 Lower the basket down to the normal position.
- 3 Slide the basket to the back of the freezer.



## About the ice and water dispenser and automatic icemaker.

A newly installed refrigerator may take 12 to 24 hours to begin making ice.



### Ice Storage Bin

#### To remove:

Lift up the access door to reach the icemaker. Set the icemaker power switch to the **O (off)** position. With the access door closed, support the storage bin at the bottom while slightly lifting. Pull bin straight out.

#### To replace:

Slide the bin back until the tab on the bin locks into the slot on the shelf. If the bin does not go all the way back, remove it and rotate the drive mechanism 1/4 turn. Then push the bin back again.

### Important facts about your ice and water dispenser

- Do not add ice from trays or bags to the storage bin. It may not crush or dispense well.
- Avoid overfilling glass with ice and use of narrow or extra-tall glasses. Backed-up ice can jam the chute or cause the door in the chute to freeze shut. If ice is blocking the chute, poke it through with a wooden spoon.

- Beverages and foods should not be quick-chilled in the ice storage bin. Cans, bottles or food packages in the storage bin may cause the icemaker or auger to jam.
- To keep dispensed ice from missing the glass, put the glass close to, but not touching, the dispenser opening.
- Some crushed ice may be dispensed even though you selected Cubed Ice. This happens occasionally when a few cubes accidentally get directed to the crusher.
- After crushed ice is dispensed, some water may drip from the chute.
- The first glass of water dispensed may be warmer than the following ones. This is normal.

### Automatic Icemaker

A newly-installed refrigerator may take 12–24 hours to begin making ice.

The icemaker will produce seven cubes per cycle—approximately 15 cycles or more in a 24-hour period, depending on freezer compartment temperature, room temperature, number of door openings and other use conditions.

If the refrigerator is operated before the water connection is made to the icemaker, set the power switch to **O (off)**.

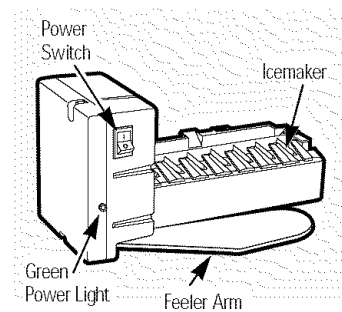
When the refrigerator has been connected to the water supply, set the power switch to **I (on)**. The green light will come on.

Throw away the first full bucket of ice.

Be sure nothing interferes with the sweep of the feeler arm.

When the bin fills to the level of the feeler arm, the icemaker will stop producing ice.

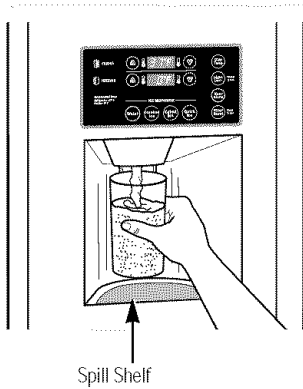
It is normal for several cubes to be joined together.



If ice is not used frequently, old ice cubes will become cloudy, taste stale and shrink.

After the icemaker has been turned on again, there will be a delay of about 45 minutes before the icemaker resumes operations.

**NOTE:** In homes with lower-than-average water pressure, you may hear the icemaker water valve cycle on several times when making one batch of ice. **Recommended water pressure is 60 psi.**



## To Use the Dispenser

Select **Cubed Ice** , **Crushed Ice** ,  
or **Water** .

Press the glass gently against the middle of the dispenser pad.

The spill shelf is not self-draining. To reduce water spotting, the shelf and its grille should be cleaned regularly.

**If no water is dispensed when the refrigerator is first installed, there may be air in the water line system. Press the dispenser arm for at least two minutes to remove trapped air from the water line and to fill the water system. To flush out impurities in the water line, throw away the first six glassfuls of water.**

**CAUTION:** Never put fingers or any other objects into the ice crusher discharge opening.

## Locking the Dispenser



Press the **LOCK/LIGHT** button for 3 seconds to lock the dispenser and control panel. To unlock, press and hold the button again for 3 seconds.

## Dispenser Light



This button turns the **night light** on the dispenser on and off. The light also comes on when the dispenser pad is pressed. If this light burns out, it should be replaced with a 6 watt 12V maximum bulb.

## Express Ice



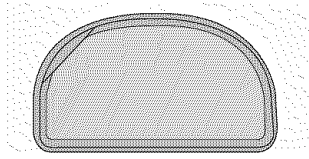
When you need ice in a hurry, press this button to speed up ice production. This will increase ice production for the following 48 hours or until you press the button again.

## Door Alarm



To turn the Door Alarm on, press the **DOOR ALARM** button once. The **ACTIVE** light will come on. To turn it off, press it again. When the **DOOR ALARM** is active, the **ACTIVE** light will flash if you open the door and beep if you keep the door open for more than 2 minutes. The light goes out and the beeping stops when you close the door.

## Care and cleaning of the refrigerator.



Dispenser drip area.

### Cleaning the Outside

**The spill shelf and the area beneath it** should be cleaned periodically with a mild liquid dish detergent.

**Dispenser pad.** Before cleaning, lock the dispenser by pressing the **LOCK/LIGHT** button for 3 seconds to prevent activating the dispenser. Clean with warm water and a mild liquid dish detergent. Rinse thoroughly and wipe dry. Unlock the dispenser by pressing the **LOCK/LIGHT** button for 3 seconds.

**Door handles.** Clean with a cloth dampened with soapy water. Dry with a soft cloth.

**Keep the outside clean.** Wipe with a clean cloth lightly dampened with mild liquid dish detergent. Dry with a clean, soft cloth.

Do not wipe the refrigerator with a soiled dish cloth or wet towel. These may leave a residue that can damage the finish. Do not use scouring pads, powdered cleaners, bleach or cleaners containing bleach because these products can scratch and damage the finish.

**Stainless steel.** Regularly clean and polish the Stainless Steel Doors with a commercially available stainless steel cleaner.

Do not use appliance wax or polish on the stainless steel.

### Cleaning the Inside

**Turn off power at the circuit breaker or fuse box before cleaning.** If this is not practical, wring excess moisture out of sponge or cloth when cleaning around switches, lights or controls.

Use warm water and baking soda solution—about a tablespoon (15 ml) of baking soda to a quart (1 liter) of water. This both cleans and neutralizes odors. Thoroughly rinse and wipe dry.

**Other parts of the refrigerator,** including door gaskets, snack pan and vegetable drawers, ice storage bin and all plastic parts, can be cleaned the same way.

Do not wash the tray or any plastic refrigerator parts in the dishwasher.

**Avoid cleaning cold glass shelves with hot water because the extreme temperature difference may cause them to break. Handle glass shelves carefully. Bumping tempered glass can cause it to shatter.**

### **Preparing for Vacation**

For long vacations or absences, remove food and unplug the refrigerator. Clean the interior with a baking soda solution of one tablespoon (15 ml) of baking soda to one quart (1 liter) of water. Leave the doors open.

Set the icemaker power switch to the **O (off)** position and shut off the water supply to the refrigerator.

If the temperature can drop below freezing, have a qualified servicer drain the water supply system to prevent serious property damage due to flooding.

### **Preparing to Move**

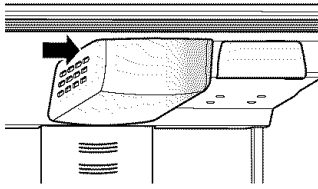
Secure all loose items such as shelves and drawers by taping them securely in place to prevent damage.

**⚠ CAUTION:** *Due to the weight and size of this refrigerator, and to reduce the risk of personal injury or damage to the product, A MINIMUM OF 4 PEOPLE ARE REQUIRED TO BRING THE UNIT INTO THE HOME AND 2 PEOPLE ARE REQUIRED FOR PROPER INSTALLATION.*

*Be sure the refrigerator stays in an upright position during moving.*

## Replacing the light bulbs.

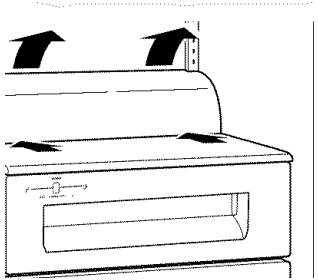
Setting the controls to **OFF** does not remove power to the light circuit.



(appearance may vary)

### Refrigerator Compartment—Upper Light

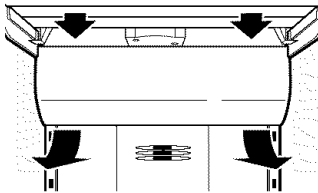
- 1 Raise the grille panel, set the master power switch to the **O (off)** position and allow lamps to cool.
- 2 To remove the light shield, press on the Left side of the shield and pull down.
- 3 Replace the bulbs with appliance bulbs of the same or lower wattage. Replace the shield by engaging the bottom tab into the slot and applying light forward pressure until the shield snaps in place.
- 4 Set the master power switch to the **I (on)** position and close the grille panel.



### Refrigerator Compartment—Lower Light

*This light is located above the top drawer.*

- 1 Raise the grille panel, set the master power switch to the **O (off)** position and allow lamps to cool.
- 2 Remove items from the shelf above the light shield. Remove the shelf.
- 3 Use both hands to grasp each end of the light shield. Press in on the bottom of the shield with your thumbs while rotating the cover up and out.
- 4 Replace the bulb with an appliance bulb of the same or lower wattage. Replace the shield by engaging the bottom tab into the slot and applying light forward pressure until the shield snaps in place.
- 5 Set the master power switch to the **I (on)** position and close the grille panel.



### Freezer Compartment

- 1 Raise the grille panel, set the master power switch to the **O (off)** position and allow lamps to cool.
- 2 Remove the items from the shelf just below the light shield. Remove the shelf.
- 3 To remove the light shield, press down on the top of the shield and pull the tabs out of the slots. Tilt the shield forward and out.
- 4 Replace the bulb with an appliance bulb of the same or lower wattage, and reinstall the light shield. Replace the shield by engaging the bottom tab into the slot and applying light forward pressure until the shield snaps in place.
- 5 Set the master power switch to the **I (on)** position and close the grille panel.

### Dispenser

- 1 Raise the grille panel, set the master power switch to the **O (off)** position and allow lamps to cool.
- 2 The bulb is located in the dispenser under the control panel. Remove the two screws from the light shield. Slide the light shield toward the dispenser to disengage the tabs, then remove the light shield. Remove the light bulb by turning it counterclockwise.
- 3 Replace the bulb with a bulb of the same size and wattage. Replace the light shield by sliding the tabs into the slots in the front of the dispenser. Replace the two screws.
- 4 Set the master power switch to the **I (on)** position and close the grille panel.

# Installation Instructions

# Built-In Side-By-Side Refrigerators

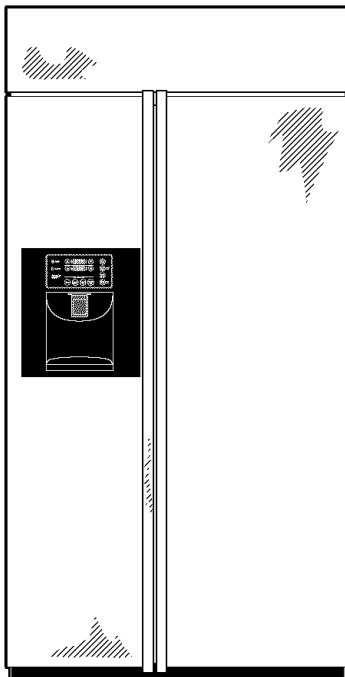
If you have questions, call 1-877-4ELECTROLUX 877-435-3287 or visit our website at:



## BEFORE YOU BEGIN

Read these instructions completely and carefully.

- **IMPORTANT** — Observe all governing codes and ordinances.
- **Note to Installer** – Be sure to leave these instructions for the consumer's and local inspector's use.
- **Note to Consumer** – Keep these instructions with your Owner's Manual for future reference.
- **Skill Level** – Installation of this refrigerator requires basic mechanical, carpentry and plumbing skills. Proper installation is the responsibility of the installer. Product failure due to improper installation is not covered under the Electrolux Home Products Warranty. See warranty information.
- **Completion Time** – 90 minutes (new installations require more time than replacement installations).



## ⚠ CAUTION:

Due to the weight and size of this refrigerator, and to reduce the risk of personal injury or damage to the product, **A MINIMUM OF 4 PEOPLE ARE REQUIRED TO BRING THE UNIT INTO THE HOME AND 2 PEOPLE ARE REQUIRED FOR PROPER INSTALLATION.**

## ⚠ WARNING:

- These refrigerators are **top-heavy** and must be secured to prevent the possibility of tipping forward. **Anti-Tip protection is required.** See Step 4 on page 30 for details.
- Use this appliance only for its intended purpose.
- Immediately repair or replace electric power supply cords that become frayed or damaged.
- Set the **Master Power** switch to the **O (OFF)** position before cleaning or making repairs.
- Repairs should be made by a qualified service technician.

For local service in your area, call  
1-877-4ELECTROLUX or 877-435-3287

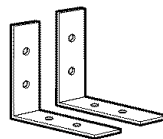
For parts and accessories, call  
1-877-4ELECTROLUX or 877-435-3287

**READ CAREFULLY.  
KEEP THESE INSTRUCTIONS.**

# Installation Instructions

## HARDWARE SUPPLIED

- Anti-Tip brackets



Anti-Tip Brackets

## MATERIALS REQUIRED

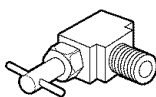
- 36" long, 2" x 4" wood block for Anti-Tip bracket installation
- #12 or #14 wood screws for Anti-Tip bracket
- Screws to secure refrigerator to cabinets
- 1/4" O.D. copper water line tubing.
- Water shutoff valve
- Custom panels for doors and grille panel (if installing custom panels)
- Special 3M Dual Lock adhesive strips for 1/4" side panels (if installing side panels)



36" Wood Block



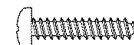
1/4" O.D. Copper Water Line Tubing



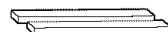
Water Shutoff Valve



#12 or #14 Wood Screws



Screws



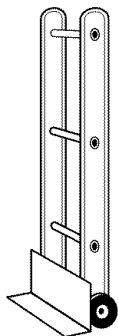
Special 3M Dual Lock Adhesive Strips



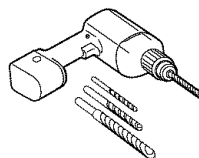
Custom Panels

## TOOLS REQUIRED

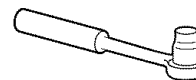
- Tinsnips to cut banding
- Stepladder
- Bucket
- Level
- Appliance dolly
- Tubing cutter
- Flathead screwdriver
- 1/2" open-end wrench
- #2 Phillips screwdriver
- Drill and appropriate bits
- 7/32", 1/2" sockets
- Safety glasses
- 7/16" open-end wrench
- Pliers



Appliance Dolly



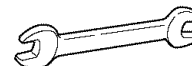
Drill & Bits



Sockets



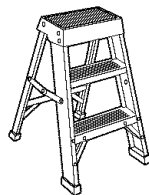
Safety Glasses



Open-end Wrenches



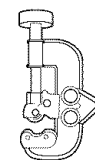
Bucket



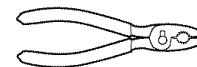
Stepladder



Flathead Screwdriver



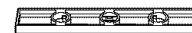
Tubing Cutter



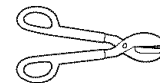
Pliers



Phillips Head Screwdriver



Level

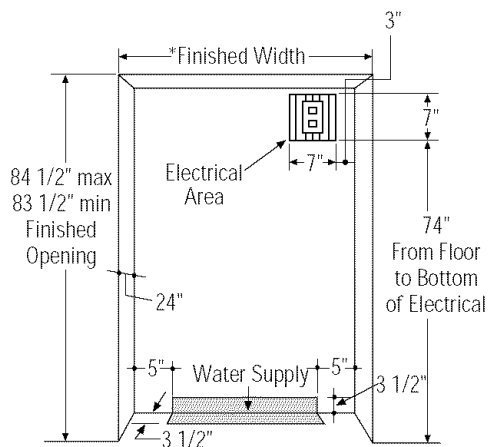


Tinsnips



# Installation Instructions

## THE INSTALLATION SPACE



\*The finished cutout width must be:  
41-1/2" for 42" models

### Water and Electrical Locations

The opening must be prepared with the electrical and water supply located as shown.

### The cutout depth must be 24"

The refrigerator will project forward, slightly beyond adjacent cabinets, depending on your installation.

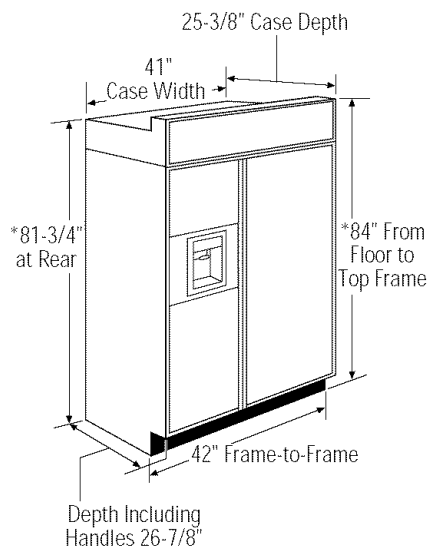
### Additional Specifications

- A 120 volt, 60Hz, 15 or 20 amp power supply is required. An individual properly grounded branch circuit or circuit breaker is recommended. Install a properly grounded 3-prong electrical receptacle recessed into the back wall. Electrical must be located on rear wall as shown.

**Note:** GFI (ground fault interrupter) is not recommended.

- Water line can enter the opening through the floor or rear wall. The water line installed should be 1/4" O.D. copper tubing between the cold water line and water connection location. The line should be long enough to extend to the front of the refrigerator. Installation of an easily accessible shutoff valve in the water line is required.

## DIMENSIONS AND CLEARANCES

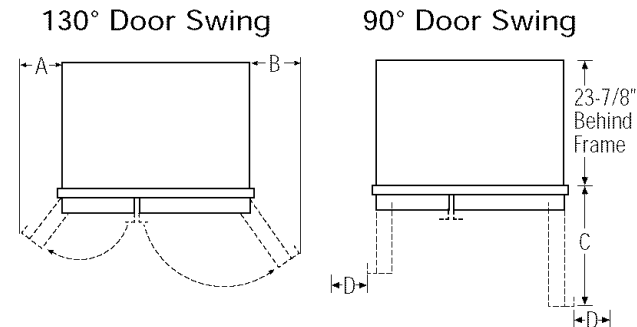


\*Shipping height

The front height may be adjusted from 83-1/2" to 84-1/2" by adjusting front and rear leveling legs a maximum of 1".

### Product Clearances

These refrigerators are equipped with a 2 position door stop. The factory set 130° door swing can be adjusted to 90° if clearance to adjacent cabinets or walls is restricted.



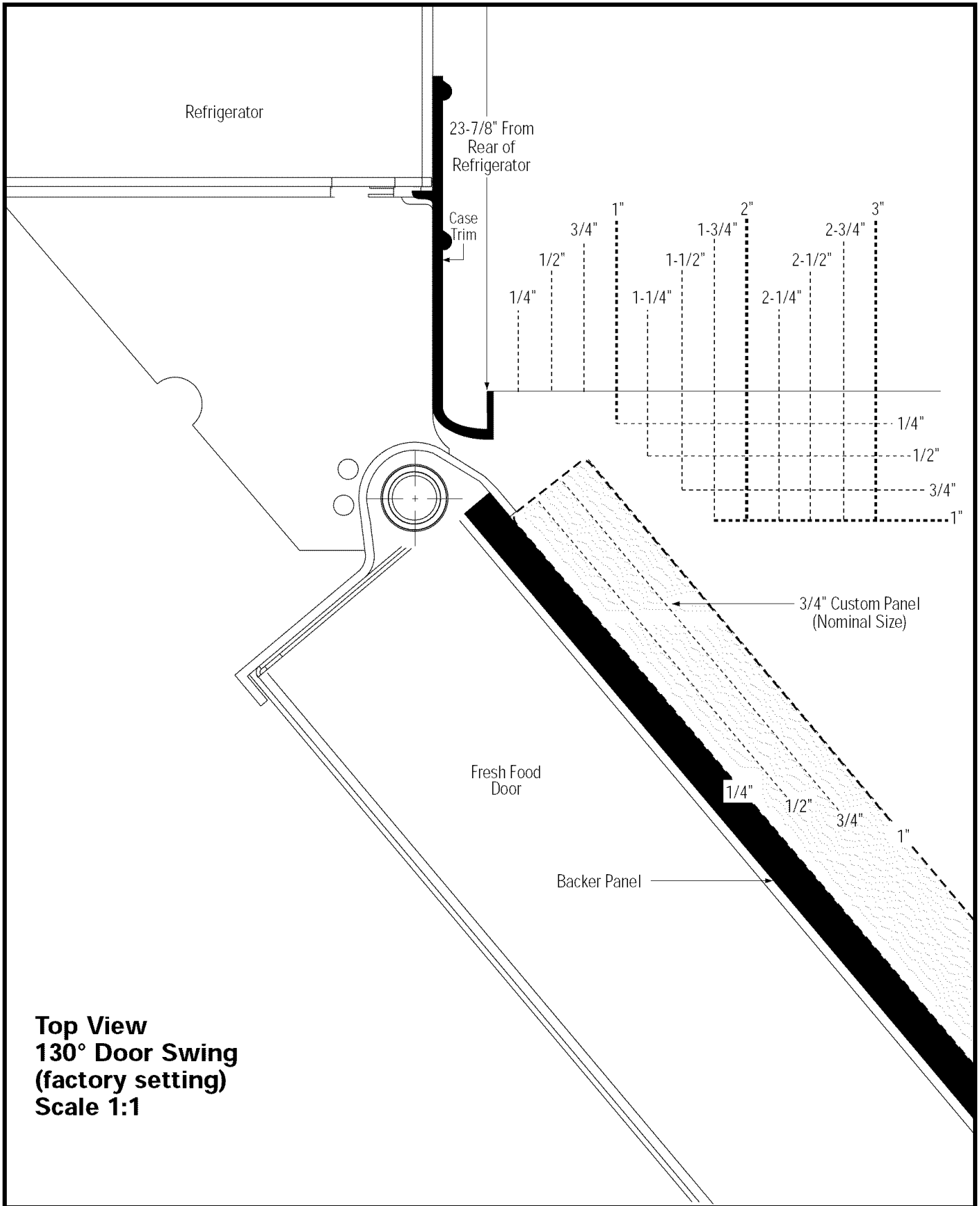
Models	A	B	C	D
42"	12-3/16"	16"	24"	4"

Allow minimum clearances for Freezer door (Dimension A) and Fresh Food door (Dimension B) for a full 130° door swing and to allow for drawer removal.

Four inch (4") minimum clearance is required when door swing is adjusted to 90°. If the 90° door stop position is used, drawer access is maintained, but drawer removal is restricted.

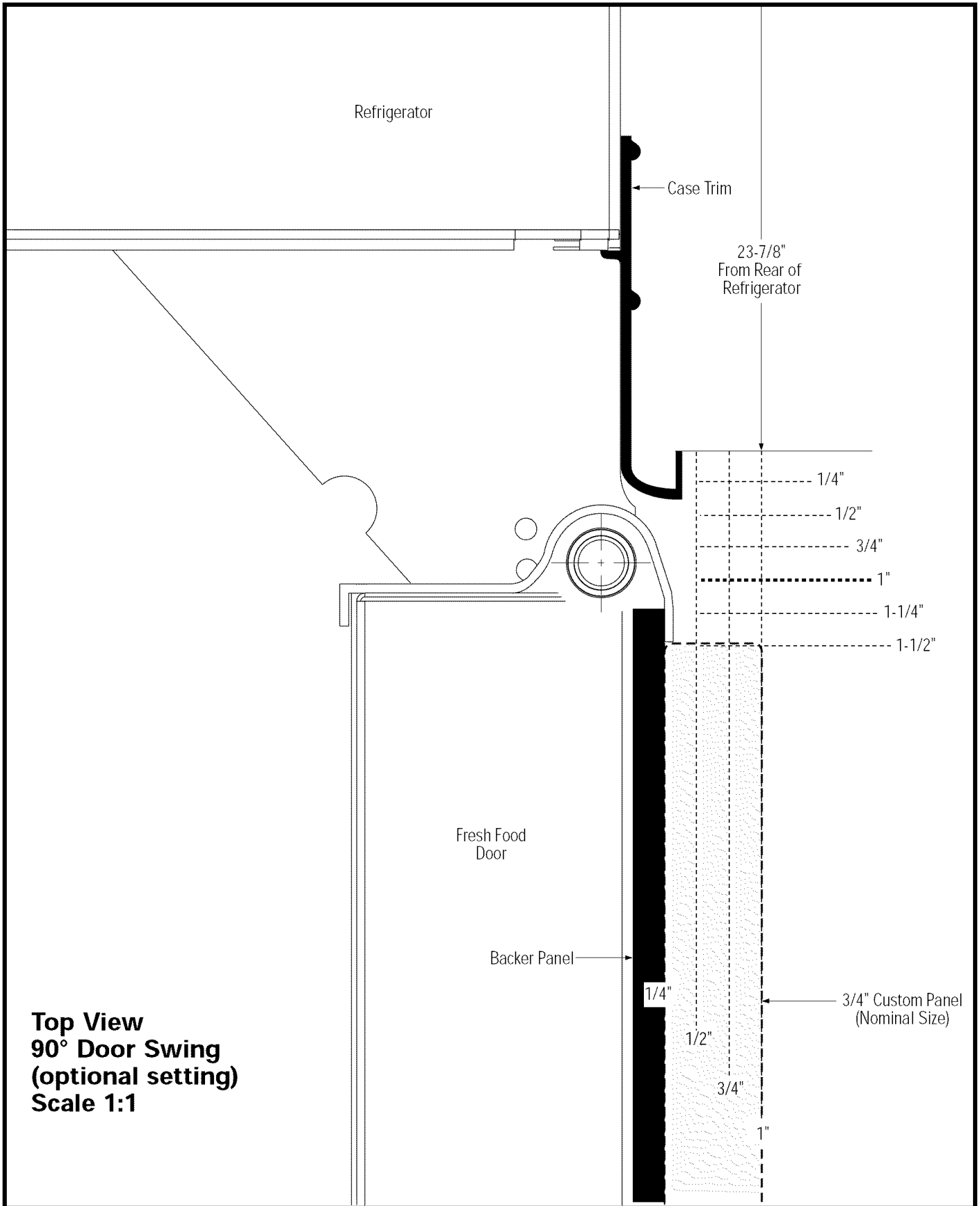
See illustrations, pages 18 and 19, to determine door swing interaction with adjacent cabinets or countertops.

# Installation Instructions



**Top View**  
**130° Door Swing**  
**(factory setting)**  
**Scale 1:1**

# Installation Instructions



# Installation Instructions

## CUSTOMIZATION BASICS:

### Stainless Steel Wrapped Models

#### Stainless Steel Wrapped Refrigerators

Stainless Steel wrapped refrigerators have wrapped doors and grille panels, and beveled edges. These models are shipped ready for installation.

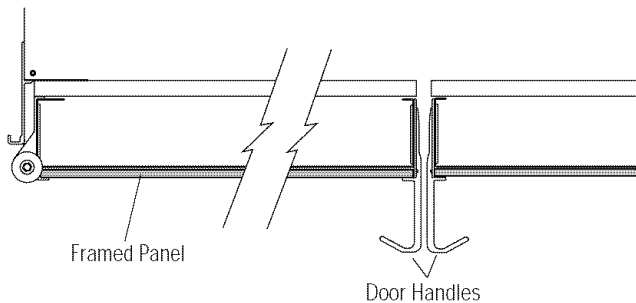
### Trimmed Models

#### Trimmed Refrigerator Panels

Trimmed refrigerators are designed to be customized with decorative panels. Field installed custom door and grille panels are required. There are three custom panel options. You can install a 1/4" framed panel, a 3/4" framed custom panel or a 3/4" full-width overlay custom panel.

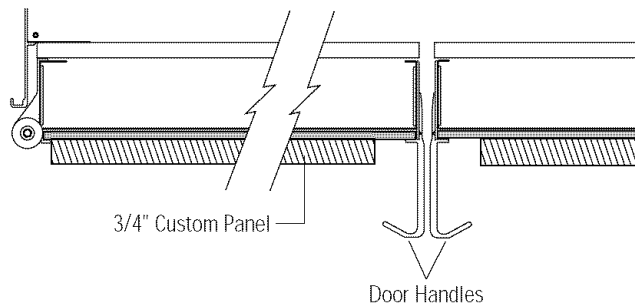
#### 1/4" Framed Panels

You may install 1/4" thick custom panels from your cabinet manufacturer. The decorative panel slides into the factory installed trim.



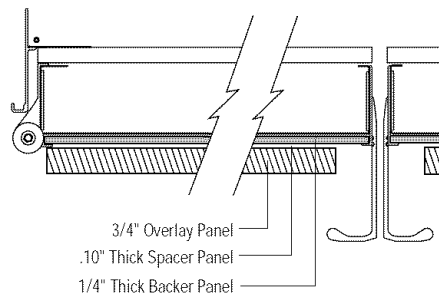
#### 3/4" Framed Custom Panels

3/4" framed custom panels are secured to a 1/4" finished backer panel. They are designed to slide into the factory installed trim, no kits required. The backer panel will be exposed on the handle side and therefore must be finished.



#### 3/4" Full-Width Overlay Custom Panels

3/4" full-width overlay custom panels are designed to slide into the factory installed trim, no kits required. In this design, you can achieve a nearly trimless appearance. A spacer panel must be installed between the finished backer and appearance panel. The backer panel will be exposed on the handle side and therefore must be finished.



#### Door Handles On Trimmed Refrigerators

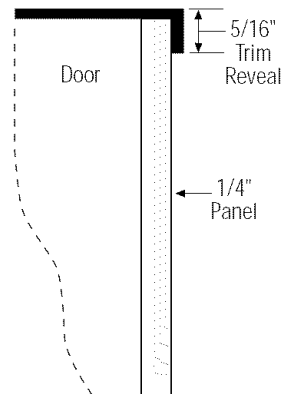
The handles can be used to accommodate both framed or custom panels.

**NOTE:** For 3/4" custom panels, please refer to diagrams on page 23 for optimum handle clearance.

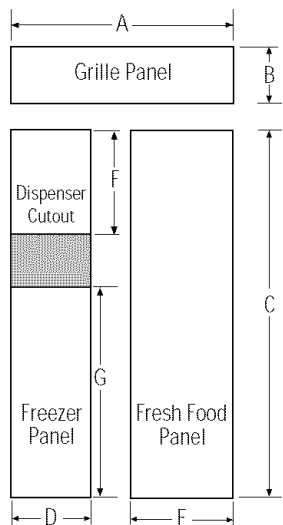
# Installation Instructions

## 1/4" FRAMED PANEL DIMENSIONS

If you choose to install framed panels, they must be cut to the dimensions shown. The panels will slide into the frame on the door and grille.



**IMPORTANT NOTE:** Maximum weight for Fresh Food panel is 70 pounds and 30 pounds total for Freezer panels.



**Front Panel Dimensions (in inches)**

	A	B	C	D	E	F	G
42" Models	39-15/16	10-3/4	67-7/8	16-7/16	22-11/32	17-13/16	35-5/32

### IMPORTANT NOTE: Dispenser Trim

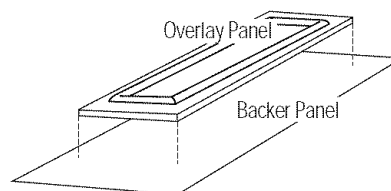
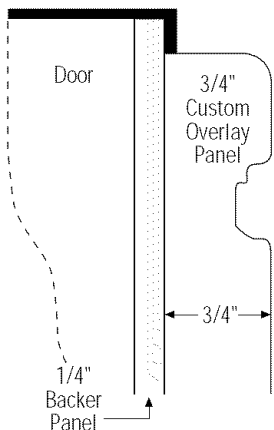
The refrigerator is supplied with factory installed dispenser trim.

- If panel is less than 1/4" thick, a noticeable gap will be created around the dispenser trim. Foam tape may be applied on the door to improve the fit.
- If panel is more than 1/4" thick, the panel will not fit behind the trim.

# Installation Instructions

## 3/4" FRAMED CUSTOM PANEL OPTION

For a more custom appearance, 3/4" framed custom panels may be installed on trimmed models. The overlay panel is secured to a 1/4" finished backer panel. The assembled custom panel then slides into the trim with the same procedure described on page 33.

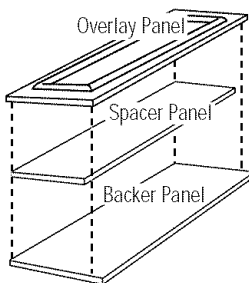
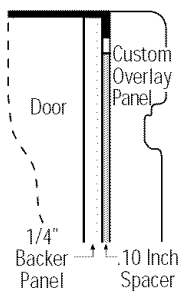


**NOTE:** Left-to-right offset is not equal to top-to-bottom offset.

$$.250 + .750 = 1.000 \text{ Maximum Total Panel Thickness}$$

## 3/4" FULL-WIDTH OVERLAY CUSTOM PANEL OPTION

This design provides a nearly trimless appearance. The full width overlay panel covers most of the door trim. In this design, a spacer panel must be installed between the finished backer and overlay panel.



**NOTE:** Left-to-right offset is not equal to top-to-bottom offset.

$$.250 + .10 + .750 = 1.100 \text{ Maximum Total Panel Thickness}$$

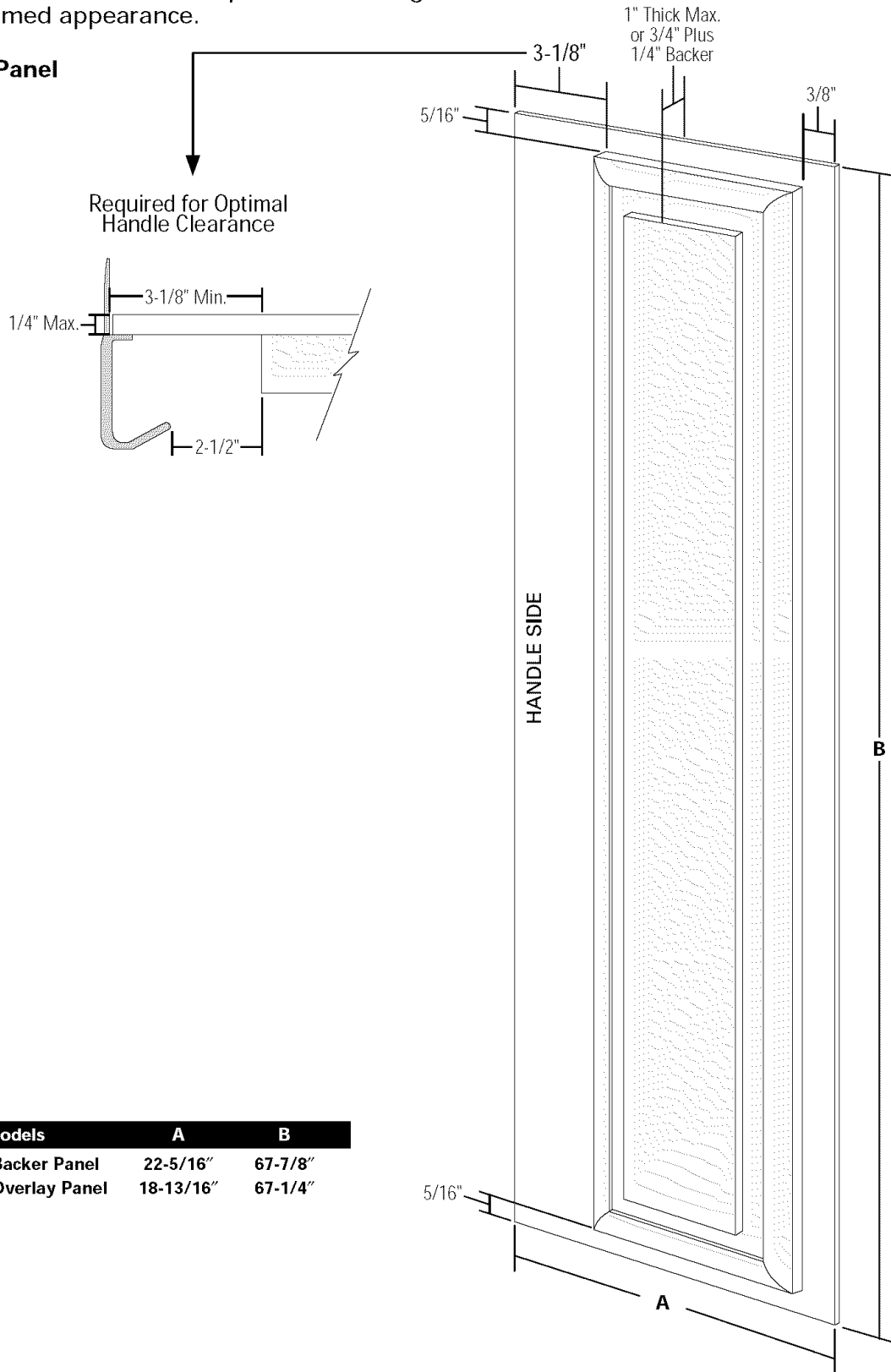
**IMPORTANT NOTE:** Maximum total weight for any assembled Fresh Food panel is 70 pounds and 30 pounds total for Freezer panels.

# Installation Instructions

## 3/4" FRAMED CUSTOM WOOD PANELS

Secured to a 1/4" finished backer panel. This design provides a framed appearance.

### Fresh Food Panel



42" Models	A	B
1/4" Backer Panel	22-5/16"	67-7/8"
3/4" Overlay Panel	18-13/16"	67-1/4"

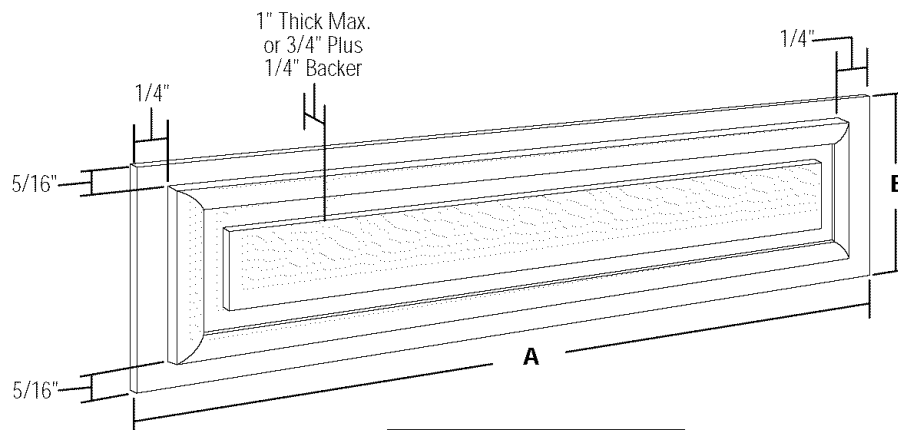
# Installation Instructions

## 3/4" FRAMED CUSTOM WOOD PANELS

Secured to a 1/4" finished backer panel. This design provides a framed appearance.

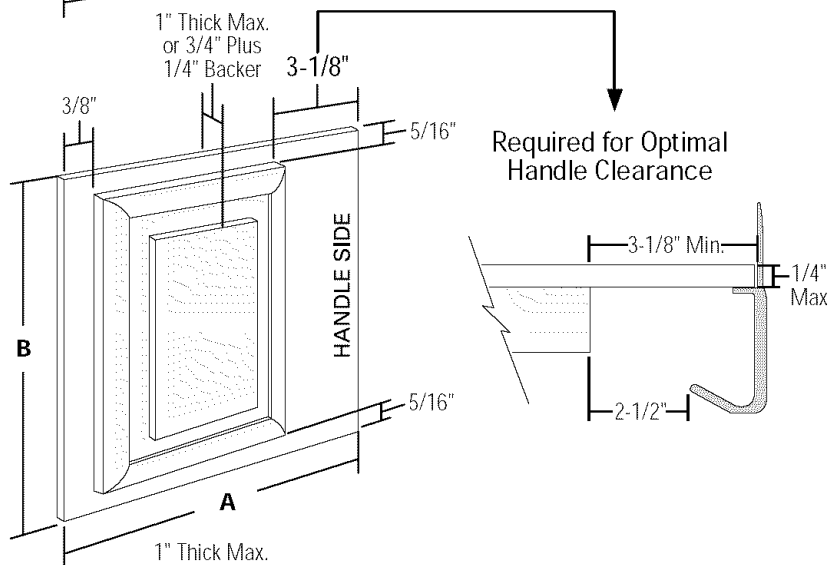
### Grille Panel

42" Models	A	B
1/4" Backer Panel	39-15/16"	10-3/4"
3/4" Overlay Panel	39-7/16"	10-1/8"



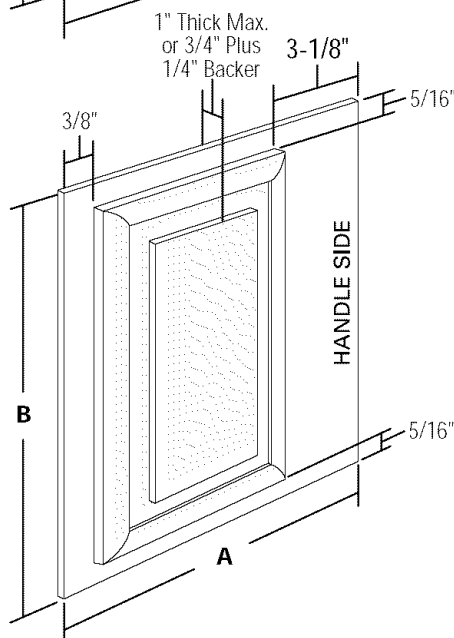
### Upper Freezer Panel

42" Models	A	B
1/4" Backer Panel	16-7/16"	17-13/16"
3/4" Overlay Panel	12-15/16"	17-3/16"



### Lower Freezer Panel

42" Models	A	B
1/4" Backer Panel	16-7/16"	35-1/8"
3/4" Overlay Panel	12-15/16"	34-1/2"





# Installation Instructions

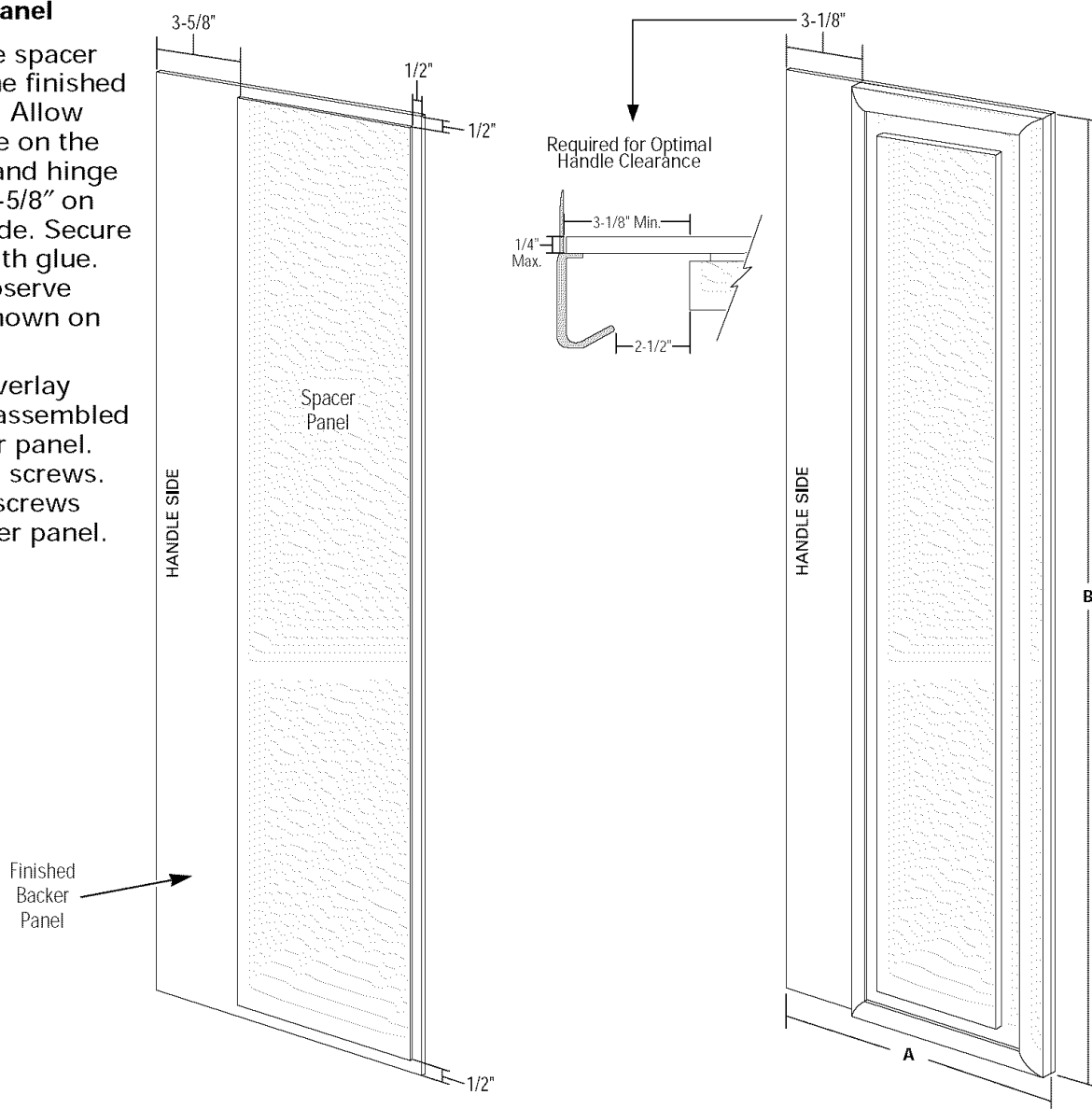
## 3/4" FULL-WIDTH OVERLAY CUSTOM PANELS

This panel design provides a nearly trimless appearance.

### Fresh Food Panel

Assemble the spacer panel onto the finished backer panel. Allow 1/2" clearance on the top, bottom and hinge side. Allow 3-5/8" on the handle side. Secure the panels with glue. Be sure to observe clearances shown on all sides.

Secure the overlay panel to the assembled backer/spacer panel. Use glue and screws. Countersink screws into the backer panel.



42" Models	A	B
1/4" Backer Panel	22-5/16"	67-7/8"
0.10" Spacer Panel	18-3/16"	66-7/8"
3/4" Overlay Panel	19-5/16"	68-1/8"

# Installation Instructions

## 3/4" FULL-WIDTH OVERLAY CUSTOM PANELS

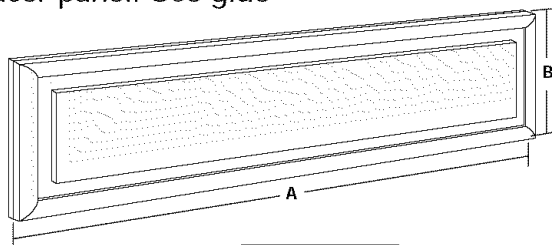
This panel design provides a nearly trimless appearance.

Assemble the spacer panel onto the backer panel. Allow 1/2" clearance on all four sides of the grille spacer panel. Allow 1/2" clearance on the top and hinge side, 15/16" on the bottom and 3-5/8" on the handle side of the upper freezer door panel. Allow 15/16" on the top, 1/2" clearance on the bottom and hinge side and 3-5/8" on the handle side of the lower freezer door panel. Secure the panels with glue. Be sure to observe clearances on all sides.

Secure the appearance panel to the assembled backer/spacer panel. Use glue and screws. Countersink screws into the backer panel.

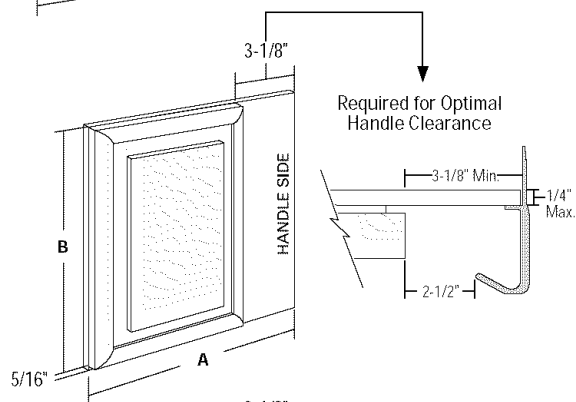
### Grille Panel

42" Models	A	B
1/4" Backer Panel	39-15/16"	10-3/4"
0.10" Spacer Panel	38-15/16"	9-3/4"
3/4" Overlay Panel	40-3/16"	11"



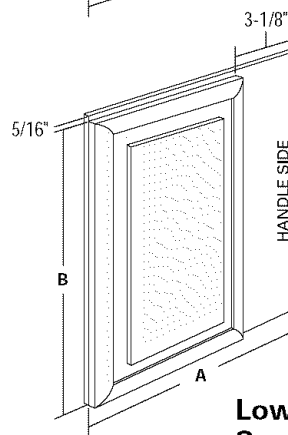
### Upper Freezer Panel

42" Models	A	B
1/4" Backer Panel	16-7/16"	17-13/16"
0.10" Spacer Panel	12-5/16"	16-3/8"
3/4" Overlay Panel	13-7/16"	17-5/8"

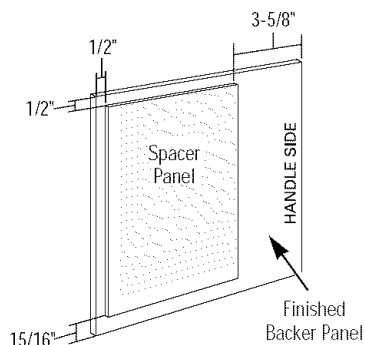


### Lower Freezer Panel

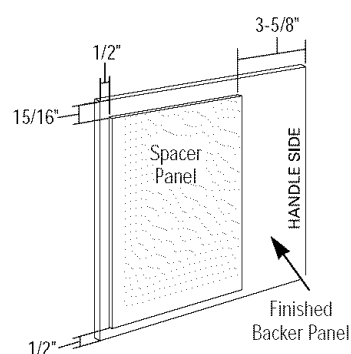
42" Models	A	B
1/4" Backer Panel	16-7/16"	35-1/8"
0.10" Spacer Panel	12-5/16"	33-11/16"
3/4" Overlay Panel	13-7/16"	34-15/16"



### Upper Freezer Panel Spacer Assembly



### Lower Freezer Panel Spacer Assembly

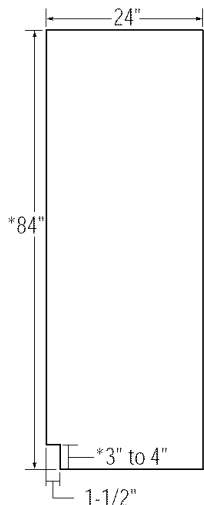


# Installation Instructions

## SIDE PANELS

Side panels (not supplied) must be used whenever the sides of the refrigerator will be exposed. The 1/4" side panels will slip into the side case trim. Order side panels from your cabinet manufacturer.

\*Depending on installation height.



## FLOORING

For proper installation, this refrigerator must be placed on a level surface of hard material that is at the same height as the rest of the flooring. This surface should be strong enough to support a fully loaded refrigerator, or approximately 1500 lb.

**NOTE:** Protect the finish of the flooring. Cut a large section of the cardboard carton and place under the refrigerator where you are working.

## GROUNDING THE REFRIGERATOR

**IMPORTANT—Please read carefully**

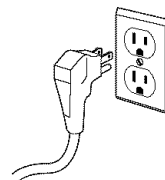
**FOR PERSONAL SAFETY, THIS APPLIANCE MUST BE PROPERLY GROUNDED.**

The power supply cord of this appliance is equipped with a three-prong (grounding) plug which mates with a standard three-prong (grounding) wall receptacle to minimize the possibility of electric shock hazard from this appliance.

Have the wall outlet and circuit checked by a qualified electrician to make sure the outlet is properly grounded.

Where a standard 2-prong wall outlet is encountered, it is your personal responsibility and obligation to have it replaced with a properly grounded 3-prong wall outlet.

**DO NOT, UNDER ANY CIRCUMSTANCES, CUT OR REMOVE THE THIRD (GROUND) PRONG FROM THE POWER CORD.**



**DO NOT USE AN ADAPTER PLUG TO CONNECT THE REFRIGERATOR TO A 2-PRONG OUTLET.**

**DO NOT USE AN EXTENSION CORD WITH THIS APPLIANCE.**

# Installation Instructions

## 1 REMOVE PACKAGING

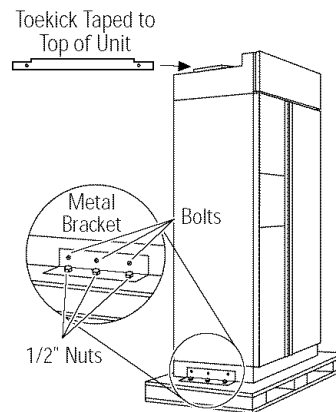
**⚠ CAUTION:** Refrigerator is **Top-Heavy**—be careful when moving. When using an appliance dolly, handle from Freezer side only.

- Carefully cut banding at the top and bottom; remove outer carton.
- Slide out rear corner posts (2).
- Slide carton off top of cabinet.

### **NOTE: DO NOT LAY CABINET DOWN IN ORDER TO REMOVE SKID!**

- The unit is secured to the skid with six 7/16" bolts and six 1/2" nuts.
- Remove all six 7/16" bolts that secure metal brackets to the refrigerator.
- Remove the three 1/2" nuts and washers from the Freezer side.
- Remove nut from rear wood block on Freezer side.
- Tilt unit up on Freezer side toward Fresh Food side.
- Push bolts down, remove metal bracket from Freezer side. Remove wood block from Freezer side.
- Slide the appliance dolly underneath the Freezer side.
- Using corner posts (2 on front corners) to prevent damage, secure unit to appliance dolly.

**NOTE:** If corner posts are too long, cut the posts to a shorter length.



- Lift the unit off the skid with the appliance dolly.
- Remove toekick taped to the top of the unit.
- Set toekick aside for final installation.

**⚠ CAUTION:** DO NOT ATTEMPT TO ROLL OR DRAG UNTIL UNIT IS OFF SKID.

**⚠ CAUTION:** MAKE SURE THE WATER LINE IS CLEAR OF APPLIANCE DOLLY TO AVOID DAMAGE.

# Installation Instructions

## 2 INSTALL WATER LINE

- A cold water supply is required for automatic icemaker operation. The water pressure must be between 40 and 120 psi.
- Route 1/4" O.D. copper tubing between cold water line and the water connection location.
- Tubing should be long enough to extend to the front of the refrigerator. Allow enough tubing to accommodate bend leading into the water line connection.

**NOTE:** Certain types of plastic may crack or rupture with age and cause water damage to your home.

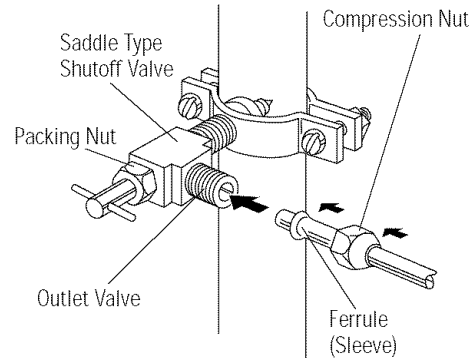
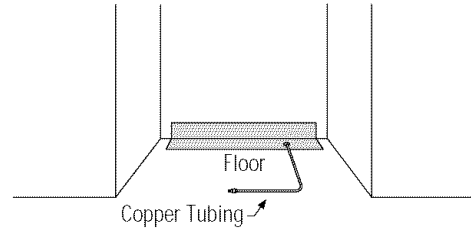
### Shut off the main water supply.

Turn on the nearest faucet long enough to purge all the water from the line.

- Install a shutoff valve between the icemaker water valve and cold water pipe in a basement or cabinet. The shutoff valve should be located where it will be easily accessible.

**NOTE:** It is best to install the valve into a vertical water pipe. If you install the valve into a horizontal water pipe, make the connection at the top or side to avoid drawing off any sediment from the water pipe.

- Drill a 1/4" hole in the water pipe.
- Fasten the shutoff valve to the pipe with pipe clamp.
- Tighten the clamp screws until the sealing washer begins to swell. **Do not OVERTIGHTEN.**
- Place a compression nut and ferrule (sleeve) for copper tubing onto the end of the tubing and connect it to the shutoff valve. Make sure the tubing is fully inserted into the valve and ferrule is tightened.



- Turn on the main water supply and flush debris. Run about a quart of water through the tubing into a bucket. Shut off water supply at the shutoff valve.

**NOTE:** Saddle type shutoff valves are included in many water supply kits. Before purchasing, make sure a saddle type valve complies with your local plumbing codes.

**NOTE:** Commonwealth of Massachusetts Plumbing Codes 248CMR must be adhered to. Saddle valves are illegal and use is not permitted in Massachusetts. Consult with your licensed plumber.

# Installation Instructions

## 3 INSTALL SIDE PANELS

### SKIP THIS STEP WHEN NOT USING SIDE PANELS

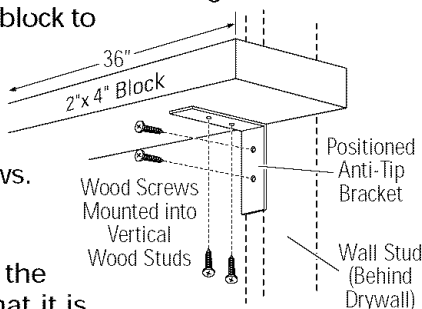
If you are using 1/4" side panels, they should be inserted into the case trim. Fasten the panels to the refrigerator with the 3M Dual Lock adhesive strips before setting refrigerator in place.

## 4 INSTALL ANTI-TIP BRACKETS

### ⚠ WARNING: ANTI-TIP PRECAUTIONS

The refrigerator is **Top-Heavy** and must be secured to prevent the possibility of tipping forward.

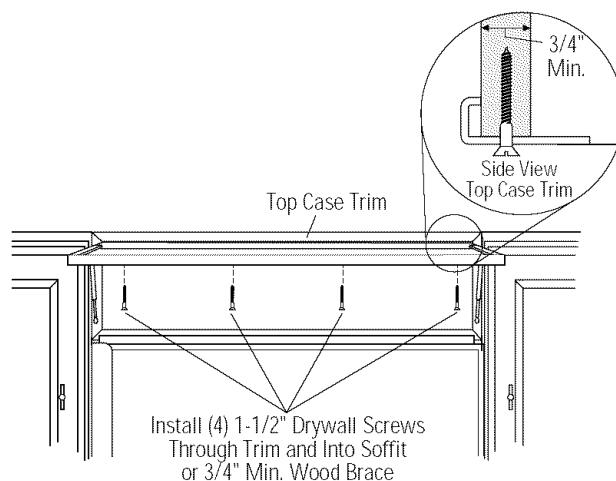
- Cut a 2" x 4" wood block 36" long, and secure the block to the mounting brackets provided, using #12 or #14 wood screws.
- Secure the brackets with wood block to the back wall so that it is 82" (or the rear installation height) from the finished floor. Use #12 or #14 wood screws.
- Screws must penetrate at least 1" into vertical wall studs.



## 4A ALTERNATE ANTI-TIP PRECAUTIONS

### SKIP THIS STEP WHEN USING ANTI-TIP BRACKETS

All Profile built-in refrigerators are **Top-Heavy**. They must be secured to prevent the possibility of tipping forward. Use this alternative method to secure the refrigerator whenever steel wall studs are encountered.

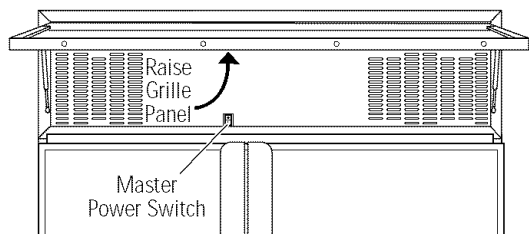


- Adjust height of refrigerator to match installation cutout opening 83-1/2" to 84-1/2". The refrigerator must be level and plumb with cabinets. The top case trim at the front is 2-1/8" higher than the rear and will overlap upper cabinets or cabinet trim.
- Open grille panel to access the top case trim.
- Use a 3/16" bit to drill 4 evenly spaced clearance holes through the metal top case trim.
- Use a 1/16" bit to drill pilot holes through the metal clearance holes and into wood soffit. The holes should be centered in the soffit or a 3/4" minimum wood brace. The brace spanning the enclosure must be securely fastened to cabinets on both sides.
- Install four 1-1/2" drywall screws into the pilot holes.

# Installation Instructions

## 5 CONNECT POWER

- Connect refrigerator power cord plug to a properly grounded receptacle. Set the **Master Power** switch to the **I (ON)** position.



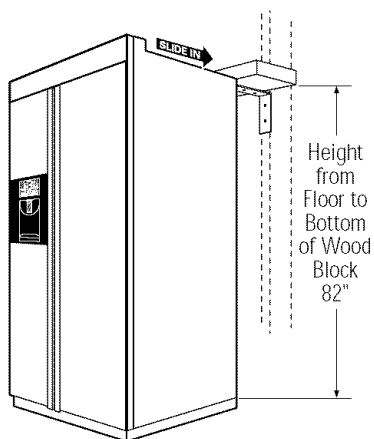
- Check to make sure power to refrigerator is on by opening refrigerator door to see if interior lights are on.

### ⚠ CAUTION:

- After power has been established, turn the **Master Power** switch to the **O (OFF)** position.

## 6 MOVE INTO INSTALLATION SPACE

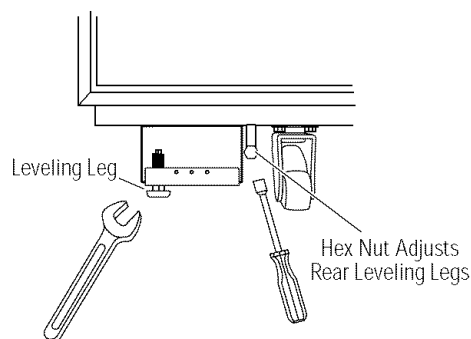
- Slide the unit into the installation space.
- Place excess slack in the power cord on top of the refrigerator.
- Use care to ensure the power cord is not pinched behind the unit.



## 7 LEVEL REFRIGERATOR

All models have 4-point leveling. The front and back are supported by leveling legs. Both are accessible from the front of the refrigerator.

- To level the back of the refrigerator, turn the 1/2" hex nut located above the front wheels. Turn clockwise to raise or counterclockwise to lower the refrigerator.
- For front leveling, use a 7/16" open-end wrench.
- Adjust height of refrigerator to match installation cutout opening 83-1/2" to 84-1/2". The refrigerator should be level and plumb with cabinets.



**IMPORTANT NOTE:** The refrigerator must be level. If it is not, the doors may not align evenly at the top. See Step 16.

### ⚠ CAUTION:

The rear leveling legs and front leveling legs are limited to a maximum height adjustment of 1". If the installation requires more than 84-1/2" height, the installer should elevate the refrigerator on a sheet of plywood or runners. Cabinet trim could be added across the top of the opening to shorten the opening. **If you attempt to raise the refrigerator more than 1", you will damage the front and rear leveling legs.**

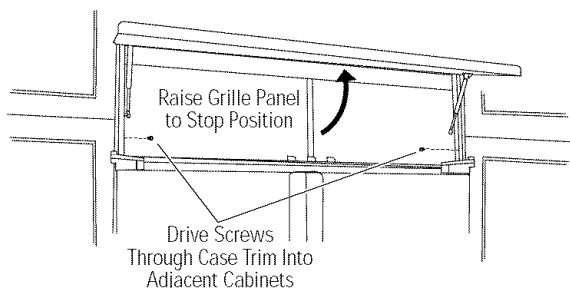
# Installation Instructions

## 8 SECURE REFRIGERATOR TO CABINETS

Whenever possible, perform this step for anti-tip security.

**The refrigerator must be secured to prevent tipping.**

- Raise the grille panel to access case trim.
- Drive a screw through the trim and into the adjacent cabinet using holes provided.
- Follow the same procedure on the opposite side.

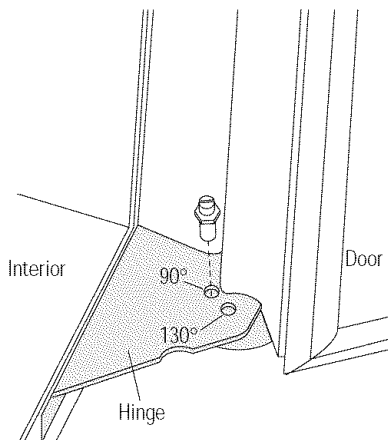


## 9 ADJUST DOOR SWING

**NOTE:** This refrigerator has a 2-position door stop. When space does not allow the door to swing open fully to 130°, you may change the door swing to a 90° opening.

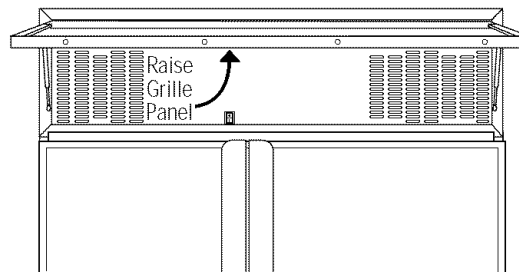
**SKIP THIS STEP IF DOOR OPENING IS SATISFACTORY FOR YOUR INSTALLATION SITUATION.**

- Open the door to view the bottom hinge. Note the door stop pin location. The pin is factory installed in the 130° position.
- Partially close the door. From above, use a flat-head screwdriver to unscrew the door stop pin and reinstall into the 90° position.

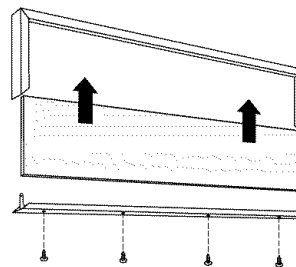


## 10 INSTALL GRILLE PANEL

- Raise the grille panel to the stop position.



- Remove 4 screws on bottom trim; retain all screws.
- Remove bottom trim.
- **NOTE:** Stainless steel and acrylic panels are covered with a protective film. Remove the film before installing the panel.
- Slide panel over the metal backer panel and under the trim.

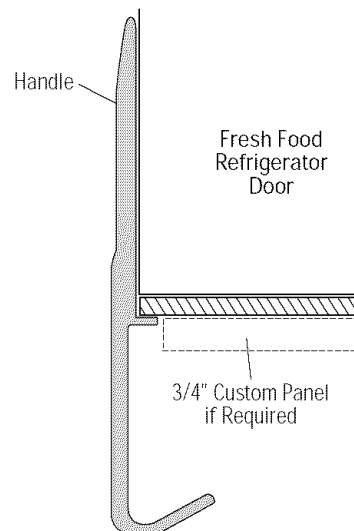
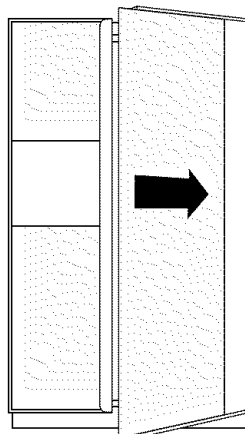
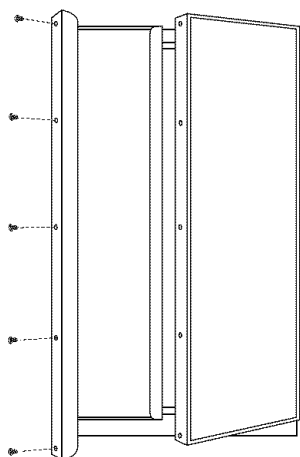


- If necessary, tap with a wood block until panel slips under the top trim piece.
- Reassemble bottom trim. Tighten screws.



# Installation Instructions

## 11A INSTALL DOOR PANELS ON TRIMMED MODELS



### Install 1/4" Decorative Panels:

#### • Remove Handles

Open door to 90°. Remove 5 Phillips head screws from the Fresh Food and Freezer door handles; retain all screws. Lift off door handles.

#### • Install Door Panels

**NOTE:** Stainless steel and acrylic panels are covered with a protective film. Remove the film before installing the panel. Carefully push the Fresh Food panel in until it slides into the slot behind the trim. Gently push to opposite side. Repeat procedure for upper and lower Freezer panels.

#### • Reinstall Handles

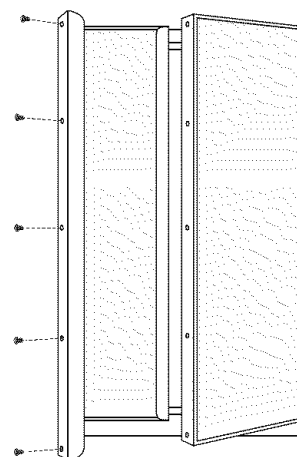
Reinstall Fresh Food door handle with the original 5 Phillips head screws. Tighten. Repeat for Freezer door handle.

**NOTE:** Ensure that the edge of the handle does not pinch the door gasket.

#### • 3/4" Custom Decorative Panels

If you choose to install custom wood panels, they must be cut to dimensions shown on pages 23–26. The panels will slide into the frame on the doors and grille.

**IMPORTANT NOTE:** Maximum custom panel thickness must not exceed 1-1/8" thick and 70 lb for Fresh Food door, 30 lb total for Freezer door and 15 lb for Grille panel.



# Installation Instructions

## **11B** INSTALL DOOR HANDLES ON STAINLESS STEEL MODELS

1. Remove handles from cartoning and any other protective packaging.
2. Place handle over pre-installed shoulder bolts (A) that are fastened into door in four locations.
3. While supporting handle and looking at upper end cap, fasten top-most allen set screw (B) with supplied allen wrench, then fasten bottom allen set screw (C). See Figure 1.
4. Repeat Step 3 with bottom end cap using allen set screws (D and E), once upper section of handle is firmly secured to door. See Figure 2.
5. All set screws should be tightened and sub-flush (allen set screw should be buried just below the surface of the end cap) of handle end cap. The end caps should be drawn tight to freezer and refrigerator doors with no gaps.

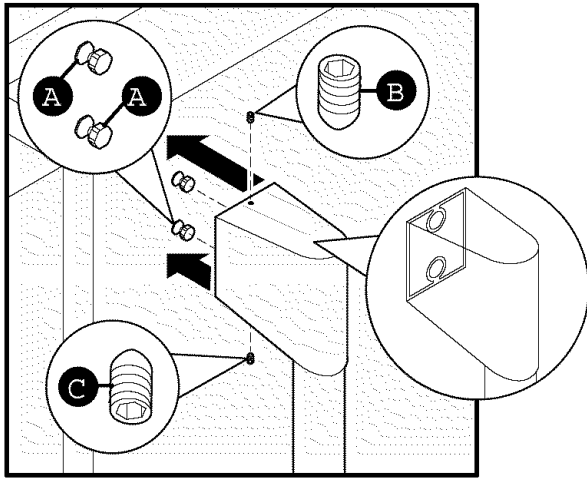


Figure 1  
Upper End Cap

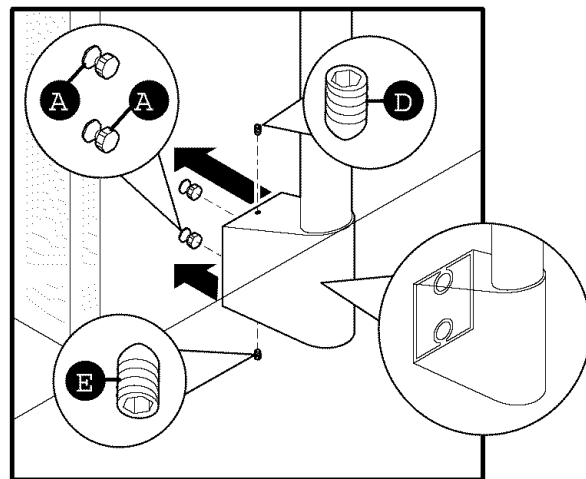
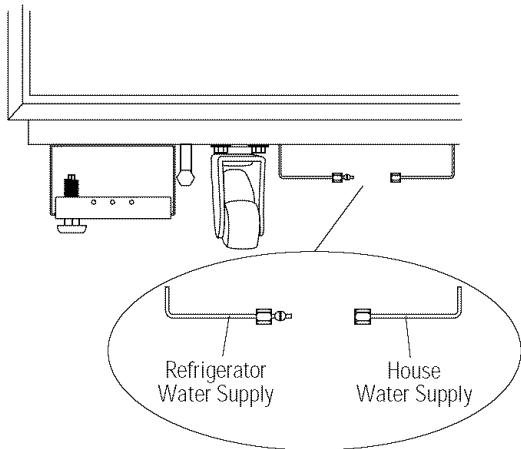


Figure 2  
Bottom End Cap

# Installation Instructions

## 12 CONNECT WATER SUPPLY

Check to make sure that Master Power switch is in the O (OFF) position.



- Locate and bring tubing to the front of the cabinet.
- Turn the water on to flush debris from line. Run about a quart of water through tubing into a bucket, then shut off water.

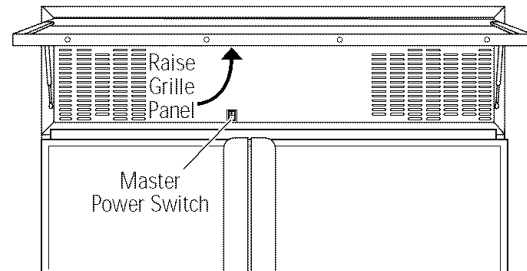
### Copper Tubing

- Slip a 1/4" nut and ferrule onto end of copper tubing. Insert tube into the union fitting on the unit and tighten nut to union.
- Turn on the water to check for leaks.

**Note:** Make sure excess tubing length does not interfere with toekick installation.

## 13 TURN ON THE POWER

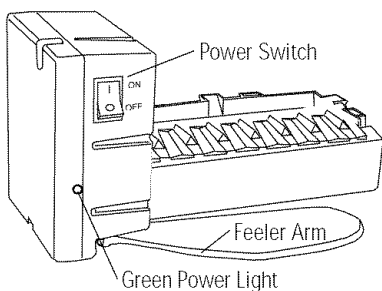
- Set the **Master Power** switch to the I (ON) position.
- Check to make sure power to refrigerator is on by opening refrigerator door to see if interior lights are on.



- The temperature controls are preset at 37° for the Fresh Food section and 0° for the Freezer section.
- Allow 24 hours to stabilize before making adjustments.
- Dispense water for 2 minutes to remove trapped air from the water system.

# Installation Instructions

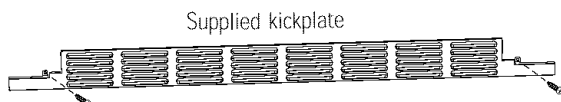
## 14 START ICEMAKER



- Flip the switch to **I (ON)**. The icemaker will begin operation automatically.
- Make sure nothing interferes with the sweep of the feeler arm.
- Discard the first full bucket of ice cubes.
- To turn the icemaker off, set the switch to **O (OFF)**.

## 15 INSTALL TOEKICK

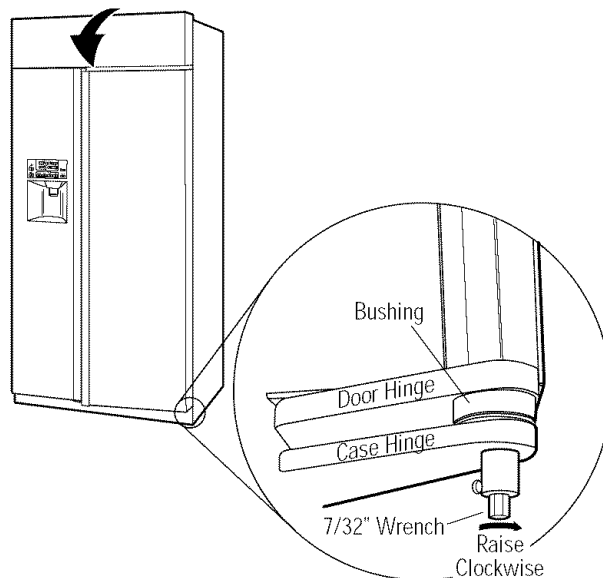
- Locate the supplied toekick (shipped taped to the top of the refrigerator). Install with 2 screws provided.



- The vented toekick must remain unobstructed for proper air flow.

## 16 DOOR ALIGNMENT

- Stand back from the refrigerator to inspect the door alignment.
- Shipping or the addition of heavy door panels may have caused the doors to move slightly out of alignment.



- If necessary, the Fresh Food door may be adjusted up or down to align with the Freezer door.
- Loosen the leveling mechanism.
- Use a 7/32\" wrench to adjust the hinge pin as shown.
- Tighten the leveling mechanism.

**IMPORTANT NOTE:** After the unit has been leveled, if the fresh food door is higher than the freezer door, adjust the front right leveling leg lower to align the doors and, if required, raise the left leveling leg to level the unit side to side.



Newer refrigerators sound different from older refrigerators. Modern refrigerators have more features and use newer technology.

**Do you hear what I hear? These sounds are normal.**

**HUMMM...  
WHOOSH...**

- The new high efficiency compressor may run faster and longer than your old refrigerator and you may hear a high-pitched hum or pulsating sound while it is operating.
- You may hear a whooshing sound when the doors close. This is due to pressure equalizing within the refrigerator.



- You may hear the fans spinning at high speeds. This happens when the refrigerator is first plugged in, when the doors are opened frequently or when a large amount of food is added to the refrigerator or freezer compartments. The fans are helping to maintain the correct temperatures.
- If either door is open for over 3 minutes, you may hear the fans come on in order to cool the light bulbs.
- The fans change speeds in order to provide optimal cooling and energy savings.

### CLICKS, POPS, CRACKS and CHIRPS

- You may hear cracking or popping sounds when the refrigerator is first plugged in. This happens as the refrigerator cools to the correct temperature.
- The compressor may cause a clicking or chirping sound when attempting to restart (this could take up to 5 minutes).
- The electronic control board may cause a clicking sound when relays activate to control refrigerator components.
- Expansion and contraction of cooling coils during and after defrost can cause a cracking or popping sound.
- After an icemaking cycle, you may hear the ice cubes dropping into the ice bucket.

### WATER SOUNDS



- The flow of refrigerant through the freezer cooling coils may make a gurgling noise like boiling water.
- Water dropping on the defrost heater can cause a sizzling, popping or buzzing sound during the defrost cycle.
- A water dripping noise may occur during the defrost cycle as ice melts from the evaporator and flows into the drain pan.
- Closing the door may cause a gurgling sound due to pressure equalization.



For additional information on normal icemaker and dispenser operating sounds, see the **About the automatic icemaker** and **About the ice and water dispenser** sections.

# Troubleshooting tips...

ElectroluxUSA.com



**Troubleshooting Tips**  
Save time and money! Review the charts on the following pages first and you may not need to call for service.

<b>Problem</b>	<b>Possible Causes</b>	<b>What To Do</b>
<b>Refrigerator does not operate</b>	Refrigerator in defrost cycle.	• Wait about 30 minutes for defrost cycle to end.
	Master power control set to <b>OFF</b> .	• Set the control to an on setting.
	Refrigerator is unplugged.	• Push the plug completely into the outlet.
	The fuse is blown/circuit breaker is tripped.	• Replace fuse or reset the breaker.
	The refrigerator is in showroom mode.	• Unplug the refrigerator and plug it back in.
<b>Vibration or rattling (slight vibration is normal)</b>	Refrigerator is not level.	• See <i>Level refrigerator</i> . • See <i>Door alignment</i> .
<b>Motor operates for long periods or cycles on and off frequently. (Modern refrigerators with more storage space and a larger freezer require more operating time. They start and stop often to maintain even temperatures.)</b>	Normal when refrigerator is first plugged in.	• Wait 24 hours for the refrigerator to completely cool down.
	Often occurs when large amounts of food are placed in refrigerator.	• This is normal.
	Door left open.	• Check to see if package is holding door open.
	Hot weather or frequent door openings.	• This is normal.
	Temperature controls set at the coldest setting.	• See <i>About the temperature controls</i> .
<b>Refrigerator or freezer compartment too warm</b>	Temperature control not set cold enough.	• See <i>About the temperature controls</i> .
	Warm weather or frequent door openings.	• Set the temperature control one step colder. See <i>About the temperature controls</i> .
	Door left open.	• Check to see if package is holding door open.
<b>Frost or ice crystals on frozen food (frost within package is normal)</b>	Door left open.	• Check to see if package is holding door open.
	Too frequent or too long door openings.	
<b>Divider between refrigerator and freezer compartments feels warm</b>	Automatic energy saver system circulates warm liquid around front edge of freezer compartment.	• This helps prevent condensation on the outside.
<b>Automatic icemaker does not work</b>	Icemaker power switch is in the off position.	• Set the power switch to the on position.
	Water supply turned off or not connected.	• See <i>Install water line</i> .
	Freezer compartment too warm.	• Wait 24 hours for the refrigerator to completely cool down.
	Piled up cubes in the storage bin cause the icemaker to shut off.	• Level cubes by hand.
	Ice cubes stuck in icemaker. (Green power light on icemaker blinking).	• Turn off the icemaker, remove cubes and turn the icemaker back on.

# Troubleshooting tips...

Problem	Possible Causes	What To Do
Frequent "buzzing" sound	Icemaker power switch is in the <b>I (on)</b> position, but the water supply to the refrigerator has not been connected.	<ul style="list-style-type: none"> <li>Set the power switch to the <b>O (off)</b> position. Keeping it in the <b>I (on)</b> position will damage the water valve.</li> </ul>
Ice cubes have odor/taste	Ice storage bin needs cleaning.	<ul style="list-style-type: none"> <li>Empty and wash bin. Discard old cubes.</li> </ul>
	Food transmitting odor/taste to ice cubes.	<ul style="list-style-type: none"> <li>Wrap foods well.</li> </ul>
	Interior of refrigerator needs cleaning.	<ul style="list-style-type: none"> <li>See <i>Care and cleaning</i>.</li> </ul>
Small or hollow cubes	Water filter clogged.	<ul style="list-style-type: none"> <li>Replace filter cartridge with new cartridge or with plug.</li> </ul>
Slow ice cube freezing	Door left open.	<ul style="list-style-type: none"> <li>Check to see if package is holding door open.</li> </ul>
	Temperature control not set cold enough.	<ul style="list-style-type: none"> <li>See <i>About the temperature controls</i>.</li> </ul>
Cube dispenser does not work	Icemaker turned off or water supply turned off.	<ul style="list-style-type: none"> <li>Turn on icemaker or water supply.</li> </ul>
	An item is blocking or has fallen into the ice chute inside the top door bin of the freezer.	<ul style="list-style-type: none"> <li>Remove any item that might be blocking, or has fallen into, the chute.</li> </ul>
	Ice cubes are frozen to icemaker feeler arm.	<ul style="list-style-type: none"> <li>Remove cubes.</li> </ul>
	Irregular ice clumps in storage container.	<ul style="list-style-type: none"> <li>Break up with fingertip pressure and discard remaining clumps.</li> <li>Freezer may be too warm. Adjust the freezer control to a colder setting, one position at a time, until clumps do not form.</li> </ul>
	Dispenser is <b>LOCKED</b> .	<ul style="list-style-type: none"> <li>Press and hold the <b>LOCK</b> button for 3 seconds.</li> </ul>
Water has poor taste/odor	Water dispenser has not been used for a long time.	<ul style="list-style-type: none"> <li>Dispense water until all water in system is replenished.</li> </ul>
Water in first glass is warm	Normal when refrigerator is first installed.	<ul style="list-style-type: none"> <li>Wait 24 hours for the refrigerator to completely cool down.</li> </ul>
	Water dispenser has not been used for a long time.	<ul style="list-style-type: none"> <li>Dispense water until all water in system is replenished.</li> </ul>
	Water system has been drained.	<ul style="list-style-type: none"> <li>Allow several hours for replenished supply to chill.</li> </ul>
Water dispenser does not work	Water supply line turned off or not connected.	<ul style="list-style-type: none"> <li>See <i>Install water line</i>.</li> </ul>
	Water filter clogged.	<ul style="list-style-type: none"> <li>Replace filter cartridge or remove filter and install plug.</li> </ul>
	Air may be trapped in the water system.	<ul style="list-style-type: none"> <li>Press the dispenser arm for at least two minutes.</li> </ul>
	Dispenser is <b>LOCKED</b> .	<ul style="list-style-type: none"> <li>Press and hold the <b>LOCK</b> button for 3 seconds.</li> </ul>
Refrigerator control setting is too cold.		<ul style="list-style-type: none"> <li>Set to a warmer setting.</li> </ul>
Water spurting from dispenser	Newly-installed filter cartridge.	<ul style="list-style-type: none"> <li>Run water from the dispenser for 3 minutes (about one and a half gallons).</li> </ul>
Water is not dispensed but icemaker is working	Water in reservoir is frozen.	<ul style="list-style-type: none"> <li>Call for service.</li> </ul>
	Refrigerator control setting is too cold.	<ul style="list-style-type: none"> <li>Set to a warmer setting.</li> </ul>
No water or ice cube production	Supply line or shutoff valve is clogged.	<ul style="list-style-type: none"> <li>Call a plumber.</li> </ul>
	Water filter clogged.	<ul style="list-style-type: none"> <li>Replace filter cartridge or remove filter and install plug.</li> </ul>
	Dispenser is <b>LOCKED</b> .	<ul style="list-style-type: none"> <li>Press and hold the <b>LOCK</b> button for 3 seconds.</li> </ul>
CUBED was selected but CRUSHED was dispensed	Last setting was <b>CRUSHED</b> .	<ul style="list-style-type: none"> <li>A few cubes were left in the crusher from the previous setting. This is normal.</li> </ul>

Safety Instructions

Operating Instructions

Installation Instructions

Troubleshooting Tips

Consumer Support

## Safety Instructions

<b>Problem</b>	<b>Possible Causes</b>	<b>What To Do</b>
<b>Orange glow in the freezer</b>	Defrost heater is on.	<ul style="list-style-type: none"> <li>This is normal.</li> </ul>

## Operating Instructions

<b>Refrigerator has odor</b>	Foods transmitting odor to refrigerator.	<ul style="list-style-type: none"> <li>Foods with strong odors should be tightly wrapped.</li> <li>Keep an open box of baking soda in the refrigerator; replace every three months.</li> </ul>
	Interior needs cleaning.	<ul style="list-style-type: none"> <li>See <i>Care and cleaning</i>.</li> </ul>

<b>Door not closing properly</b>	Door gasket on hinge side sticking or folding over.	<ul style="list-style-type: none"> <li>Apply paraffin wax to the face of the gasket.</li> </ul>
	A door bin is hitting a shelf inside the refrigerator.	<ul style="list-style-type: none"> <li>Move the door bin up one position.</li> </ul>
	Refrigerator is not level.	<ul style="list-style-type: none"> <li>See <i>Level refrigerator</i>.</li> <li>See <i>Door alignment</i>.</li> </ul>

<b>Moisture forms on outside of refrigerator</b>	Not unusual during periods of high humidity.	<ul style="list-style-type: none"> <li>Wipe surface dry.</li> </ul>
--	--	---

<b>Moisture collects inside (in humid weather, air carries moisture into refrigerator when doors are opened)</b>	Too frequent or too long door openings.	
--	---	--

## Installation Instructions

<b>Interior light does not work</b>	No power at outlet.	<ul style="list-style-type: none"> <li>Replace fuse or reset the breaker.</li> </ul>
	Light bulb burned out.	<ul style="list-style-type: none"> <li>See <i>Replacing the light bulbs</i>.</li> </ul>

<b>Water on kitchen floor or on bottom of freezer</b>	Cubes jammed in chute.	<ul style="list-style-type: none"> <li>Poke ice through with a wooden spoon.</li> </ul>
---	------------------------	---

<b>Hot air from top of refrigerator</b>	Normal air flow cooling motor. In the refrigeration process, it is normal that heat be expelled in the area above the refrigerator.	
---	---	--

## Troubleshooting Tips

<b>Refrigerator never shuts off, but the temperatures are OK</b>	Adaptive defrost keeps compressor running during door openings.	<ul style="list-style-type: none"> <li>This is normal. The refrigerator will cycle off after the door remains closed for 2 hours.</li> </ul>
--	---	--

<b>Refrigerator beeping</b>	Door open.	<ul style="list-style-type: none"> <li>Close door.</li> </ul>
-----------------------------	------------	---

<b>Actual temperature not equal to Set temperature</b>	Unit just plugged in.	<ul style="list-style-type: none"> <li>Allow 24 hours for system to stabilize.</li> </ul>
	Door open for too long.	<ul style="list-style-type: none"> <li>Allow 24 hours for system to stabilize.</li> </ul>
	Warm food added to refrigerator.	<ul style="list-style-type: none"> <li>Allow 24 hours for system to stabilize.</li> </ul>
	Defrost cycle is in process.	<ul style="list-style-type: none"> <li>Allow 24 hours for system to stabilize.</li> </ul>

## Consumer Support



# CONSUMER WARRANTY

(for customers in Canada)

Your refrigerator is warranted to be free of defects in material and workmanship.

What is covered	How Long Warranted (From Date of Sale)	Parts Repair or Replace at Camco's Option	Labour
Compressor	Twelve (12) Years	Twelve (12) Years	Five (5) Years
Sealed System (including evaporator, condenser tubing and refrigerant)	Twelve (12) Years	Twelve (12) Years	Five (5) Years
All Other Parts	One (1) Year	One (1) Year	One (1) Year

### TERMS AND CONDITIONS:

This warranty applies only for single family domestic use in Canada when the Refrigerator has been properly installed according to the instructions supplied by Camco and is connected to an adequate and proper utility service.

Damage due to abuse, accident, commercial use, and alteration or defacing of the serial plate cancels all obligations of this warranty.

Service during this warranty must be performed by an Authorized Camco Service Agent.

Neither Camco nor the Dealer is liable for any claims or damages resulting from any failure of the Refrigerator or from service delays beyond their reasonable control.

To obtain warranty service, purchaser must present the original bill of sale. Components repaired or replaced are warranted through the remainder of the original warranty period only.

This warranty is in addition to any statutory warranty.

### WHAT IS NOT COVERED:

- Owner is responsible to pay for service calls related to product installation and/or teaching how to use the product.
- Damage to finish must be reported within 48 hours following the delivery of the appliance.
- Service trips to your home to teach you how to use the product.
- Damage to finish after delivery.
- Improper installation—proper installation includes adequate air circulation to the refrigeration system, adequate electrical, plumbing and other connecting facilities.
- Replacement of house fuses or resetting of circuit breakers.
- Replacement of light bulbs.
- Damage to product caused by accident, fire, floods or acts of God.
- Loss of food due to spoilage.
- Proper use and care of product as listed in the owner's manual, proper setting of controls.
- **WARRANTOR IS NOT RESPONSIBLE FOR CONSEQUENTIAL DAMAGES.**

### IMPORTANT

**Keep this warranty and your bill of sale as proof of original purchase and purchase date.**

Camco Service is available coast to coast.  
If further help is needed concerning this warranty, contact:  
Manager, Consumer Relations, Camco Inc.,  
Suite 310, 1 Factory Lane, Moncton, N.B. E1C 9M3

*Staple your receipt here.  
Proof of the original purchase  
date is needed to obtain service  
under the warranty.*

## REFRIGERATOR WARRANTY *Your refrigerator is protected by this warranty*

	WARRANTY PERIOD	THROUGH OUR AUTHORIZED SERVICERS, WE WILL:	THE CONSUMER WILL BE RESPONSIBLE FOR:
<b>FULL ONE-YEAR WARRANTY</b>	One year from original purchase date.	Pay all costs for repairing or replacing any parts of this appliance which prove to be defective in materials or workmanship. Excludes original and replacement Ice & Water filter cartridges (if equipped). Original and replacement cartridges are warranted for 30 days (parts only).	Costs of service calls that are listed under <b>NORMAL RESPONSIBILITIES OF THE CONSUMER.*</b>
<b>LIMITED 2<sup>nd</sup>– 5<sup>th</sup> YEAR WARRANTY (Cabinet Liner and Sealed System)</b>	Second through fifth years from original purchase date.	Repair or replace any parts in the cabinet liner or sealed refrigeration system (compressor, condenser, evaporator, dryer or tubing) which prove to be defective in materials or workmanship.	Costs for pickup and delivery of the appliance required because of service. Costs for labor, parts and transportation other than with respect to the cabinet liner or Sealed Refrigeration System.
<b>LIMITED WARRANTY (Applicable to the State of Alaska)</b>	Time periods listed above.	All of the provisions of the full warranties above and the exclusions listed below apply.	Costs of the technician's travel to the home and any costs for pick up and delivery of the appliance required because of service.

In the U.S.A. and Puerto Rico, your appliance is warranted by Electrolux Major Appliances North America, a division of Electrolux Home Products, Inc. In Canada, your appliance is warranted by Electrolux Major Appliances North America, a division of Electrolux Canada Corp. Electrolux Home Products, Inc. and Electrolux Canada Corp. are referred to in this warranty as "Electrolux". We authorize no person to change or add to any of our obligations under this warranty. Our obligations for service and parts under this warranty must be performed by us or an authorized Electrolux servicer.

### \*NORMAL RESPONSIBILITIES OF THE CUSTOMER

**This warranty applies only to products in ordinary household use, and the consumer is responsible for the items listed below:**

1. Proper use of the appliance in accordance with instructions provided with the product.
2. Proper installation by an authorized servicer in accordance with instructions provided with the appliance and in accordance with all local plumbing, electrical and/or gas codes.
3. Proper connection to a grounded power supply of sufficient voltage, replacement of blown fuses, repair of loose connections or defects in house wiring.
4. Expenses for making the appliance accessible for servicing, such as removal of trim, cupboards, shelves, etc., which are not a part of the appliance when it was shipped from the factory.
5. Damages to finish after installation.
6. Replacement of light bulbs and/or fluorescent tubes (on models with these features).

### EXCLUSIONS

**This warranty does not cover the following:**

1. CONSEQUENTIAL OR INCIDENTAL DAMAGES SUCH AS PROPERTY DAMAGE AND INCIDENTAL EXPENSES RESULTING FROM ANY BREACH OF THIS WRITTEN OR ANY IMPLIED WARRANTY.  
*Note: Some states do not allow the exclusion or limitation of incidental or consequential damages, so this limitation or exclusion may not apply to you.*
2. Service calls which do not involve malfunction or defects in workmanship or material, or for appliances not in ordinary household use. The consumer shall pay for such service calls.
3. Damages caused by services performed by servicers other than Electrolux, or its authorized servicers; use of parts other than genuine Electrolux parts; obtained from persons other than such servicers; or external causes such as abuse, misuse, inadequate power supply or acts of God.
4. Products with original serial numbers that have been removed or altered and cannot be readily determined.

### IF YOU NEED SERVICE

Keep your bill of sale, delivery slip, or some other appropriate payment record. The date on the bill establishes the warranty period should service be required. If service is performed, it is in your best interest to obtain and keep all receipts. This written warranty gives you specific legal rights. You may also have other rights that vary from state to state. Service under this warranty must be obtained by contacting Electrolux.

This warranty only applies in the 50 States of the U.S.A. and Puerto Rico, and Canada. Product features or specifications as described or illustrated are subject to change without notice.

### USA

800-944-9044

Electrolux Major Appliances North America,  
a division of Electrolux Home Products, Inc.  
P.O. Box 212378  
Augusta, GA 30917

### Canada

866-213-9397

Electrolux Major Appliances North America,  
a division of Electrolux Home Products, Inc.  
6150 McLaughlin Road  
Mississauga, Ontario  
L5R 4C2

**pure advantage™ NGFC-2000 ICE AND WATER FILTER SYSTEM**  
**SYSTEM SPECIFICATION AND DATA SHEET**

**APPLICATION GUIDELINES / CONDITIONS OF USE**

<b>Water Supply:</b>	Municipal or Well applications
<b>Water Temp.:</b>	Maximum 100° F (38° C); for cold water use only.
<b>Water Pressure:</b>	100 psi Maximum, Recommended Minimum: 20 psi, as measured at the valve inlet.
<ul style="list-style-type: none"> <li>Timely cartridge replacement is essential for the product to perform as advertised. Please refer to the Use &amp; Care Guide for general operation and maintenance requirements. Your refrigerator will have an electronic light on the freezer door dispenser that lights up yellow when the filter is almost ready for replacement and lights up red when the filter must be replaced. Press the indicator for approximately 3-10 seconds to reset after replacing the filter cartridge. Please refer to the Use &amp; Care Guide for complete instructions.</li> <li><b>pure advantage™ NGFC-2000 Ice &amp; Water Filter System</b> should not be used on water that is microbiologically unsafe or with water of unknown quality without adequate disinfection before or after the system. Systems certified for cyst reduction may be used on disinfected waters that may contain filterable cysts.</li> <li>Performance may vary based on local water conditions and/or pressure. High sediment areas may require more frequent filter cartridge replacement.</li> <li><b>pure advantage™ NGFC-2000 Water Filtration System</b> will absorb bad tastes and odors in both ice cubes and drinking water.</li> </ul>	


**SYSTEM SPECIFICATIONS**

<b>Flow Rate:</b>	Ice Maker - 3.4 to 4.3 oz (99 - 125 cc) per 6.3 seconds at 60 psi (as measured at valve inlet) Dispenser - 60 oz per minute (.5 gpm or 1.9 liters per minute) at 60 psi (as measured at valve inlet)
<b>Capacity:</b>	400 Gallons
<b>System Construction:</b>	Filter Housing Assembly - Polycarbonate Plastic Water Storage Tank - Polyethylene Plastic Tubing - Polyethylene Plastic Filter Media - Extruded Carbon block

**REPLACEMENT CARTRIDGE INFORMATION**

Replacement cartridges are available through your local Electrolux dealer or the Customer Care Center at 1-877-435-3287. Please reference installation instructions in the Use & Care Guide for replacing the cartridge and warranty information. Estimated cost for the replacement filter cartridge kit: Less than \$50.00

**PERFORMANCE DATA SHEET**

<b>MODEL:</b> pure advantage™ NGFC-2000	Use the replacement cartridge listed below.
	The <b>pure advantage™ NGFC-2000</b> system with the cartridge has been tested according to ANSI/NSF Standard 42/53 for the reduction of claims specified on the performance data sheet. The concentration of the indicated substances in water entering the system was reduced to a concentration less than or equal to the permissible limit for water leaving the system, as specified in ANSI/NSF 42/53.

General test water parameters; pH = 7.5 +/- 0.5 Temp. 20°C +/- 3°C (68°F +/- 5°F) Pressure = 60 psi (414 kPa) @ 0.5 gpm (1.9 lpm)

Substance Reduction	NSF Standard	NSF Reduction Requirements	Influent Challenge Concentration mg/L	Max. Permissible Product Water Concentration	Average % Reduction	Minimum % Reduction
Chlorine, Taste & Odor	42	≥ 50%	2.0 +/- 10%	N/A	97.36%	97.36%
Cyst	53	99.95%	50000/L	N/A	99.99%	99.99%
2,4-D	53	N/A	0.210 +/- 10%	0.07 mg/L	99.72%	97.37%
Alachlor	53	N/A	0.04 +/- 10%	0.002 mg/L	99.45%	99.45%
Atrazine	53	N/A	0.009 +/- 10%	0.003 mg/L	94.11%	94.11%
Lead 8.5 Ph	53	N/A	0.15 +/- 10%	0.010 mg/L	93.31%	99.31%
Lead 6.5 Ph	53	N/A	0.15 +/- 10%	0.010 mg/L	99.29%	99.29%
Mercury 8.5 Ph	53	N/A	0.006 +/- 10%	0.002 mg/L	95.67%	93.07%
Mercury 6.5 Ph	53	N/A	0.006 +/- 10%	0.002 mg/L	96.76%	97.76%
Lindane	53	N/A	0.002 +/- 10%	0.0002 mg/L	98.96%	98.96%
Turbidity	53	N/A	11 +/- 1 NTU	.5 NTU	87.70%	97.00%
Toxaphene	53	N/A	0.015 +/- 10%	0.003 mg/L	92.85%	92.85%
Particulates: Class 1 particles 0.5 <1 micron	42	≥ 85%	10,000 part/ml	N/A	99.96%	99.93%



P.O. Box 212378  
 Augusta, GA 30907  
 2004 ELECTROLUX HOME PRODUCTS, INC.

P/N: 241546101A

State of California  
Department of Health Services

Water Treatment Device  
Certificate Number

01 - 1474

Date Issued: April 25, 2001

---

<u>Trademark/Model Designation</u>	<u>Replacement Elements</u>
Frigidaire PureSource 2 NGFC-2000	FC-100
Gibson Cool and Clean NGFC-2000	FC-100
Electrolux <b>pure</b> advantage NGFC-2000	FC-100
Manufacturer: Electrolux Home Products	

---

The water treatment device(s) listed on this certificate have met the testing requirements pursuant to Section 116830 of the Health and Safety Code for the following health related contaminants:

<u>Microbiological Contaminants and Turbidity</u>	<u>Inorganic/Radiological Contaminants</u>
Cysts (protozoan)	Lead
Turbidity	Mercury
<u>Organic Contaminants</u>	
Alachlor	
Atrazine	
Lindane	
2,4-D	
Toxaphene	

---

Rated Service Capacity: 400 gallons	Rated Service Flow: 0.5 gpm
-------------------------------------	-----------------------------

---

Do not use where water is microbiologically unsafe or with water of unknown quality, except that systems claiming cyst reduction may be used on water containing cysts.