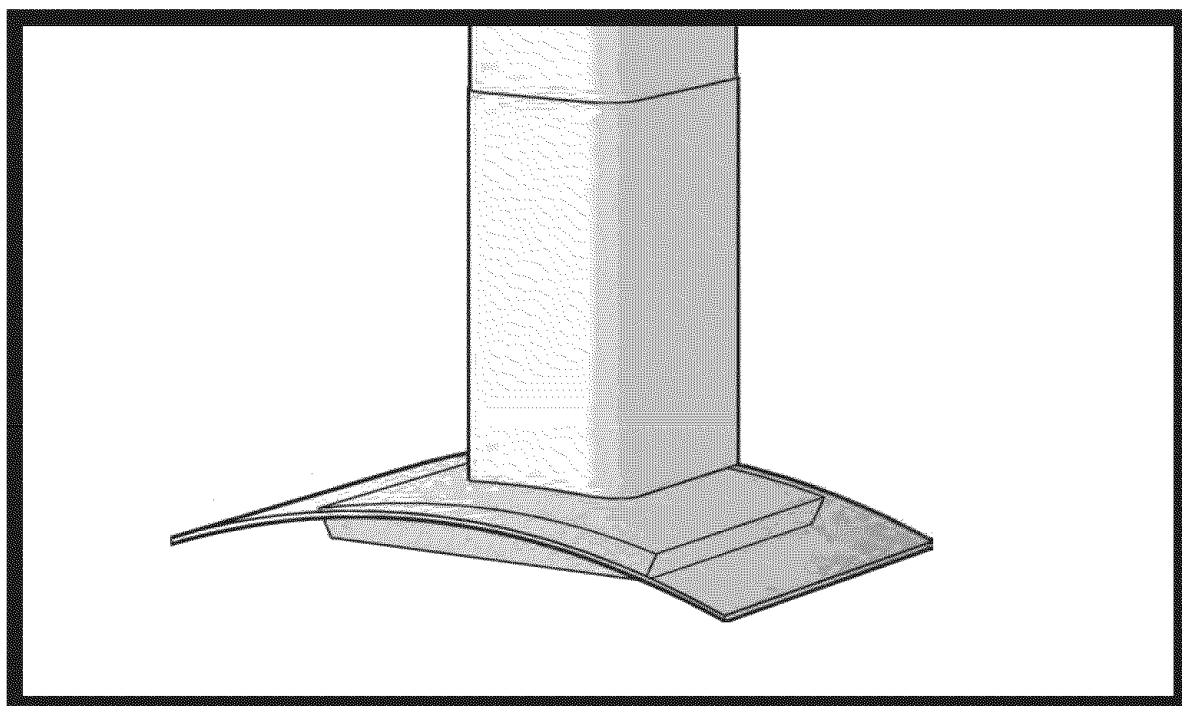


# *Frigidaire*

PROFESSIONAL SERIES



**Model PL36WC40EC**

ENGLISH.....	2
FRANÇAIS.....	10

## READ AND SAVE THESE INSTRUCTIONS

### INTENDED FOR DOMESTIC COOKING ONLY

#### WARNING

**TO REDUCE THE RISK OF FIRE, ELECTRIC SHOCK, OR INJURY TO PERSONS, OBSERVE THE FOLLOWING:**

1. Use this unit only in the manner intended by the manufacturer. If you have questions, contact the manufacturer at the address or telephone number listed in the warranty.
2. Before servicing or cleaning unit, switch power off at service panel and lock service panel to prevent power from being switched on accidentally. When the service disconnecting means cannot be locked, securely fasten a prominent warning device, such as a tag, to the service panel.
3. Installation work and electrical wiring must be done by a qualified person(s) in accordance with all applicable codes and standards, including fire-rated construction codes and standards.
4. Sufficient air is needed for proper combustion and exhausting of gases through the flue (chimney) of fuel burning equipment to prevent backdrafting. Follow the heating equipment manufacturer's guidelines and safety standards such as those published by the National Fire Protection Association (NFPA), and the American Society for Heating, Refrigeration and Air Conditioning Engineers (ASHRAE), and the local code authorities.
5. When cutting or drilling into wall or ceiling, do not damage electrical wiring and other hidden utilities.
6. Ducted fans must always be vented to the outdoors.
7. Do not use this unit with any separate solid-state speed control device.
8. To reduce the risk of fire, use only metal ductwork.
9. This unit must be grounded.

#### **TO REDUCE THE RISK OF A RANGE TOP GREASE FIRE:**

- A. Never leave surface units unattended at high settings. Boilovers cause smoking and greasy spillovers that may ignite. Heat oils slowly on low or medium settings.
- B. Always turn hood ON when cooking at high heat or when flambéing food (i.e. Crepes Suzette, Cherries Jubilee, Peppercorn Beef Flambe').
- C. Clean ventilating fans frequently. Grease should not be allowed to accumulate on fan or filter.
- D. Use proper pan size. Always use cookware appropriate for the size of the surface element.

#### WARNING

**TO REDUCE THE RISK OF INJURY TO PERSONS IN THE EVENT OF A RANGE TOP GREASE FIRE, OBSERVE THE FOLLOWING:\***

1. SMOTHER FLAMES with a close-fitting lid, cookie sheet, or metal tray, then turn off the burner. BE CAREFUL TO PREVENT BURNS. If the flames do not go out immediately, EVACUATE AND CALL THE FIRE DEPARTMENT.
2. NEVER PICK UP A FLAMING PAN - You may be burned.
3. DO NOT USE WATER, including wet dishcloths or towels - violent steam explosion will result.
4. Use an extinguisher ONLY if:
  - A. You know you have a Class ABC extinguisher and you already know how to operate it.
  - B. The fire is small and contained in the area where it started.
  - C. The fire department is being called.
  - D. You can fight the fire with your back to an exit.

\* Based on "Kitchen Fire Safety Tips" published by NFPA.

#### CAUTION

1. To reduce risk of fire and to properly exhaust air, be sure to duct air outside. Do not vent exhaust air into spaces within walls or ceilings or into attics, crawl spaces, or garages.
2. Take care when using cleaning agents or detergents.
3. Avoid using food products that produce flames under the Range Hood.
4. For general ventilating use only. Do not use to exhaust hazardous or explosive materials and vapors.
5. To avoid motor bearing damage and noisy and/or unbalanced impellers, keep drywall spray, construction dust, etc. off power unit.
6. Your hood motor has a thermal overload which will automatically shut off the motor if it becomes overheated. The motor will restart when it cools down. If the motor continues to shut off and restart, have the hood serviced.
7. For best capture of cooking impurities, the bottom of the hood should be a minimum of 24" and a maximum of 30" above the cooking surface. See "Install Mounting Bracket" section for mounting restrictions.
8. Two installers are recommended because of the large size and weight of this hood.
9. This product is equipped with a thermostat which may start blower automatically. To reduce the risk of injury and to prevent power from being switched on accidentally, switch power off at service panel and lock or tag service panel.
10. Please read specification label on product for further information and requirements.

## OPERATION

### Controls

The hood is operated using the (5) push-buttons located at eye-level, on the front edge of the hood.

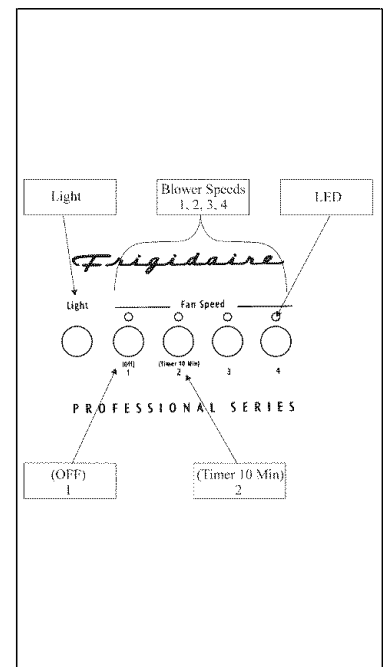
The **light switch** turns the halogen lights on and off. Push the light switch once to turn the lights ON - push a second time to turn the lights ON to a brighter level - push a third time to turn the lights OFF.

The **blower on-off / speed 1** switch turns the blower on to its lowest running speed. To turn OFF the blower, push in and hold this blower switch for approximately 2 seconds.

The **blower speed 2** switch turns the blower on to medium-low running speed. Pressing this switch a second time sets a timer which keeps the blower operating at this speed for 10 minutes. The **LED** will blink during this time and the blower will shut off automatically.

The **blower speed 3 and blower speed 4** switches operate the same as blower speed 2 switch except: Blower speed 3 is medium-high and blower speed 4 is high.

After every 30 hours of operation, the LED above the "blower speed 1 switch" will be illuminated (RED) and blink for 30 seconds after turning off the blower. This is a reminder to clean the grease filters. Once the grease filters are cleaned and installed, press in and hold the "light switch" button for approximately 2 seconds during the blink of the LED.



## HALOGEN BULBS

This range hood requires two halogen bulbs (Type JC, 12Volt, 20Watt Max, G-4 Base).

**⚠ WARNING: Always switch off the electrical supply before carrying out any operation on the appliance.**

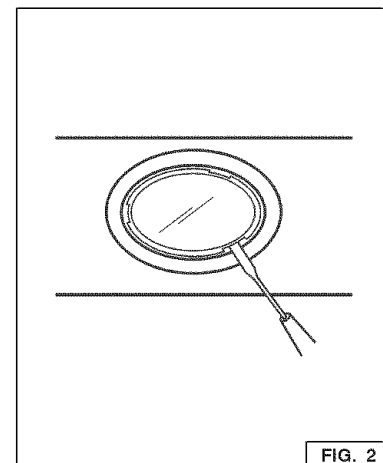
To change bulbs:

1. Open the cover by prying from the proper slots.
2. Remove the bulb by pulling sideways. (DO NOT ROTATE).

**⚠ CAUTION: Bulb may be hot.**

3. Replace with Type JC, 12Volt, 20 Watt Max, G-4 Base halogen bulb. Do not touch replacement bulb with bare hands!

**⚠ CAUTION: Use of bulbs greater than 20 watts will cause the fuse to open.**



## FUSE REPLACEMENT

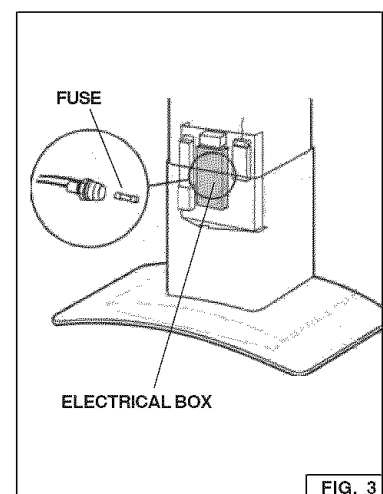
**IF LIGHTS FAIL TO OPERATE, DISCONNECT POWER AT THE SERVICE ENTRANCE. CHECK THE FUSE AND REPLACE IF NECESSARY.**

1. Raise or remove the lower decorative flue. See Figure 3.
2. Remove the cover from the electrical box.
3. Unscrew the cap from the fuse holder and remove the fuse.
4. Replace the fuse with the same size and amperage (5 x 20mm, 4 amp, 125 volt).

**⚠ CAUTION: Use of a fuse greater than 4 amps may damage the transformer.**

5. Reinstall the fuse holder cap, electrical box cover and flue.

6. Reconnect power at the service entrance.



## MAINTENANCE

Proper maintenance of the Range Hood will assure proper performance of the unit.

### Grease Filters

The **grease filters** should be cleaned frequently. Use a warm detergent solution. Grease filters are dishwasher safe.

See "INSTALL FILTERS" section for removal and installation instructions.

### Non-Ducted Recirculation Filter

The non-ducted recirculation filter should be changed every 6 months.

See "INSTALL FILTERS" section for removal and installation instructions.

### Hood Cleaning

Stainless steel is one of the easiest materials to keep clean. Occasional care will help preserve its fine appearance.

Cleaning tips:

- | Hot water with soap or detergent is all that is usually needed.
  - | Follow all cleaning by rinsing with clear water. Wipe dry with a clean, soft cloth to avoid water marks.
  - | For discolorations or deposits that persist, use a non-scratching household cleanser or stainless steel polishing powder with a little water and a soft cloth.
  - | For stubborn cases, use a plastic scouring pad or soft bristle brush together with cleanser and water. Rub lightly in direction of polishing lines or "grain" of the stainless finish. Avoid using too much pressure which may mar the surface.
  - | **DO NOT** allow deposits to remain for long periods of time.
  - | **DO NOT** use ordinary steel wool or steel brushes. Small bits of steel may adhere to the surface causing rust.
  - | **DO NOT** allow salt solutions, disinfectants, bleaches, or cleaning compounds to remain in contact with stainless steel for extended periods. Many of these compounds contain chemicals which may be harmful. Rinse with water after exposure and wipe dry with a clean cloth.
- Painted surfaces should be cleaned with warm water and mild detergent only.

## PREPARE THE HOOD

Unpack hood and check contents.

You should receive:

- 1 - Hood
- 1 - Decorative Flue Assembly
- 1 - Parts Bag (B080810604) containing:
  - 1 - Mounting Bracket
  - 1 - Discharge Collar
  - 1 - Flue Mounting Bracket
  - 6 - Mounting Screws (4,8 x 38mm Pan Head)
  - 7 - Mounting Screws (3,9 x 9,5mm Pan Head)
  - 2 - Mounting Screws (3,9 x 6mm Flat Head)
  - 6 - Drywall Anchors
- 1 - Installation Instructions
- 1 - Warranty Card

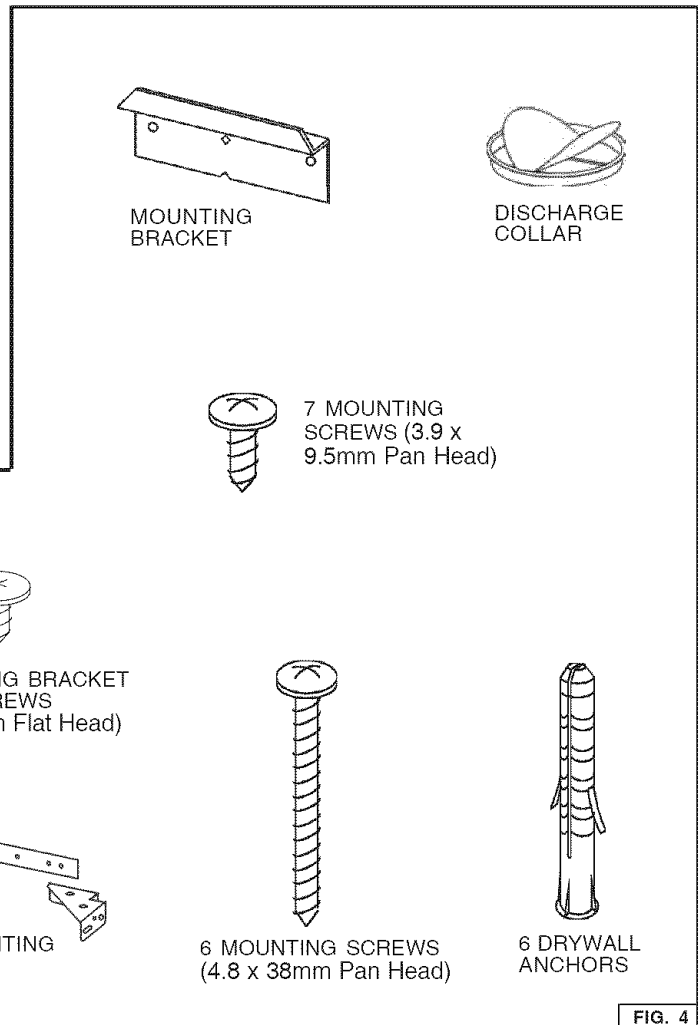


FIG. 4

## INSTALL THE DUCTWORK

**CAUTION:** To reduce the risk of fire, use only metal ductwork.

1. Decide where the ductwork will run between the hood and the outside.
2. A straight, short duct run will allow the hood to perform most efficiently.
3. Long duct runs, elbows, and transitions will reduce the performance of the hood. Use as few of them as possible. Larger ducting may be required for best performance with longer duct runs.
4. Install a roof or wall cap. Connect round metal ductwork to cap and work back towards hood location. Use duct tape to seal the joints between ductwork sections.

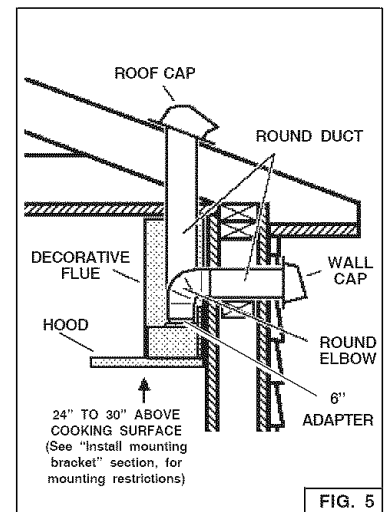


FIG. 5

## INSTALL ELECTRICAL

**WARNING:** Electrical wiring must be done by a qualified person(s) in accordance with all applicable codes and standards. This range hood must be properly grounded. Turn off electrical power at service entrance before wiring.

1. Plan where the hood will be located above the cook top. Refer to the "INSTALL MOUNTING BRACKET" section for hood mounting height options.
2. Install a standard 2" x 4" wall outlet box and 3-blade 125 volt, 15Amp grounded receptacle.
3. Mount the receptacle 18" to 22" above the bottom of the hood.
4. Locate the receptacle within boundary shown and off center of the ductwork (to allow for power cord plug and flue clearance).

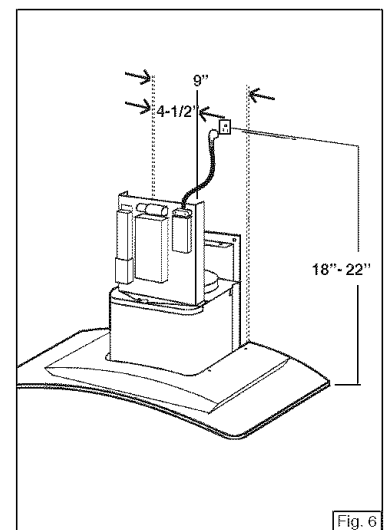


Fig. 6

## INSTALL MOUNTING BRACKET

(DUCTED AND NON-DUCTED HOODS)

1. Construct wood wall **framing** that is flush with interior surface of wall studs. Make sure:
  - a) the framing is centered over installation location.
  - b) the height of the framing will allow the **mounting bracket** to be secured to the framing within the dimensions shown.
2. **After wall surface is installed**, secure the mounting bracket to framing with (2) 4.8x38mm mounting screws. See chart below for mounting bracket location.

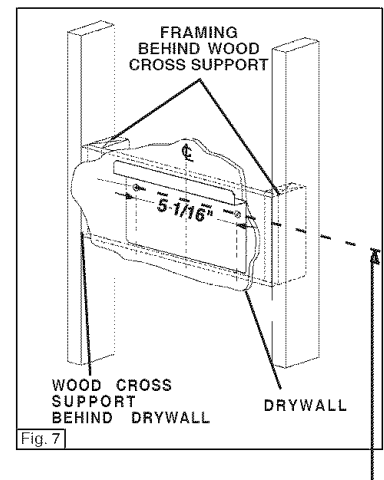


Fig. 7

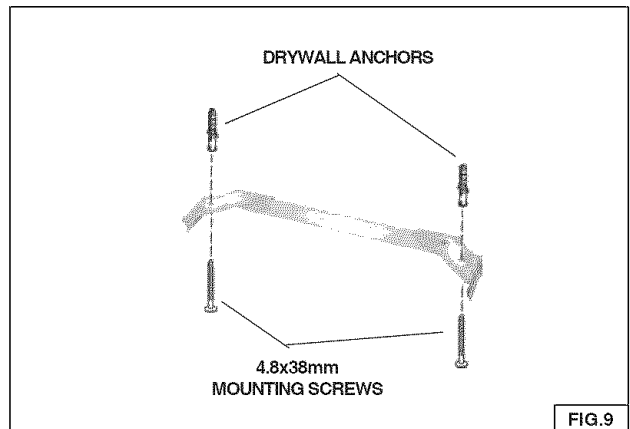
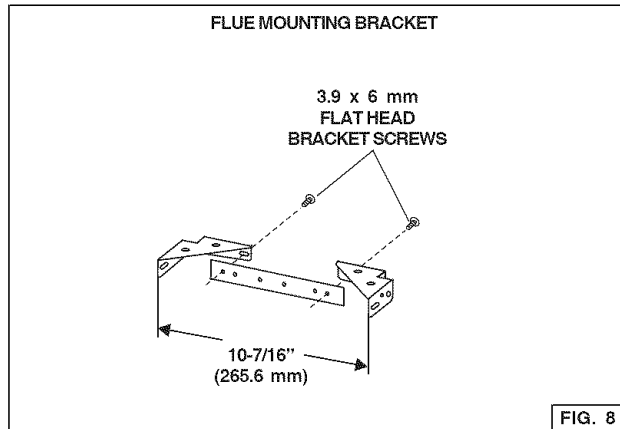
CEILING HEIGHT	DUCT METHOD	HOOD DISTANCE ABOVE 36" HIGH COOKTOP (SEE NOTE BELOW)						
		24"	25"	26"	27"	28"	29"	30"
8- FEET	DUCTED	37"	38"	39"	40"	41"		
	NON-DUCTED	37"	38"	39"	40"			
9- FEET	DUCTED OR NON-DUCTED	37"	38"	39"	40"	41"	42"	43"
10- FEET	DUCTED WITH 5304447637			39"	40"	41"	42"	43"

NOTE : Minimum hood distance above cook top must not be less than 24". A maximum of 30" above cook top is highly recommended for best capture of cooking impurities. Distances over 30" are at the installer and user's discretion; and if ceiling height and flue length permit.

## INSTALL FLUE MOUNTING BRACKET

### (DUCTED AND NON-DUCTED HOODS)

1. Assemble the flue mounting bracket, adjusting outside width as shown. See Figure 8.
2. **Carefully** center the mounting bracket directly over the range hood location.
3. Secure the bracket assembly to the ceiling using (2) 4.8x38mm mounting screws and drywall anchors (Fig. 9). Make sure the bracket is pushed into the corner, tight against the wall and centered over the hood.

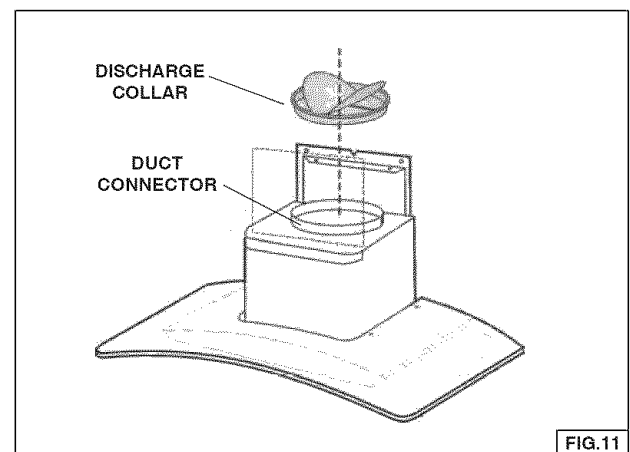
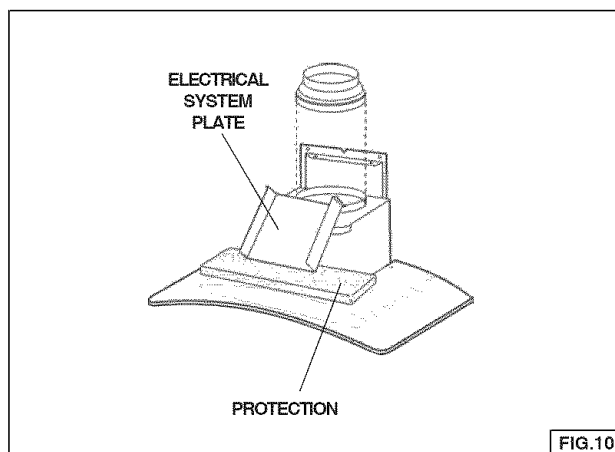


## PREPARE THE HOOD

**Note:** On stainless steel hoods, carefully remove the plastic protective film from all exterior surfaces of the hood and decorative flues, prior to final installation.

### DUCTED HOODS ONLY

1. Remove the tape on the electrical system plate; place the electrical system plate on the hood (use a protection). Fig. 10.
2. Install the discharge collar into the duct connector of the range hood. Fig. 11.

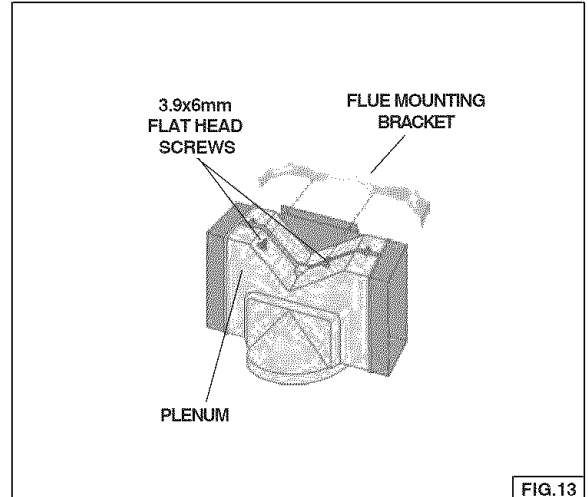
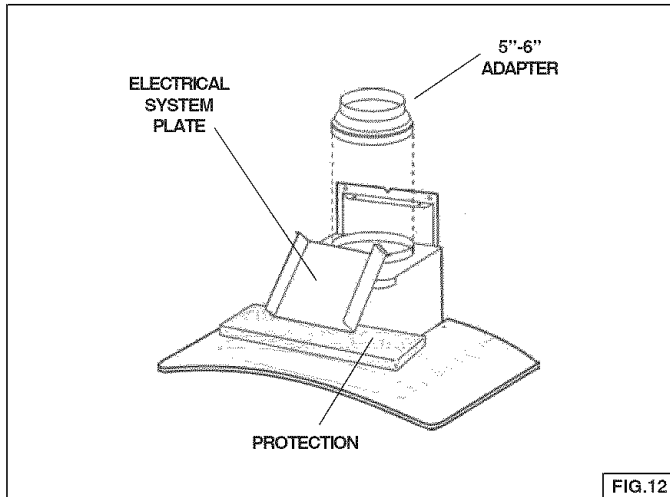


## PREPARE THE HOOD

### (NON - DUCTED HOODS ONLY)

Note: The following materials must be purchased separately for non-ducted recirculation installations.  
Non - Ducted Recirculation Kit, Model 5304447635.  
5" diameter duct.

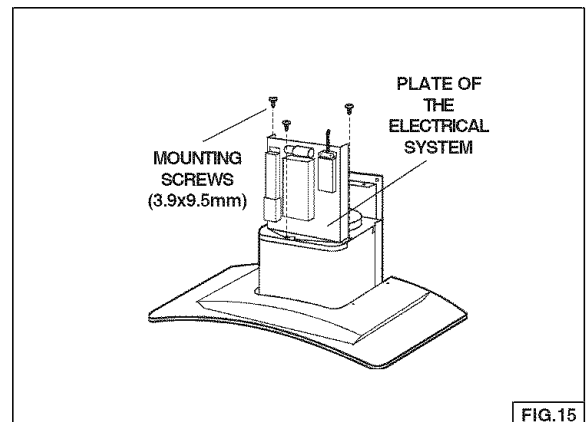
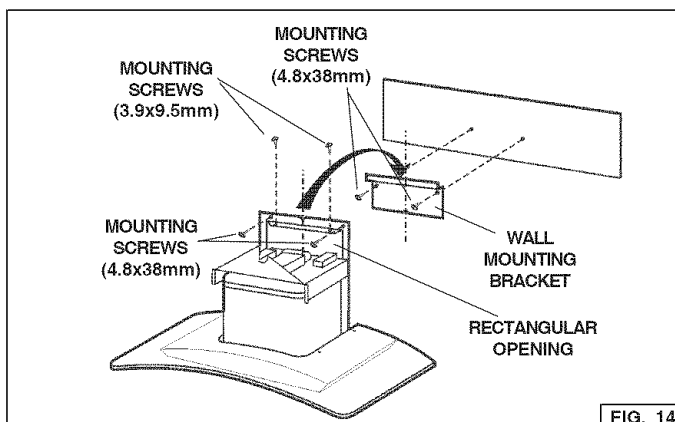
1. Remove the tape on the electrical system plate; place the electrical system plate on the hood (use a protection). Fig. 12
2. Discard discharge collar/damper supplied with the hood. Install the 5" to 6" adapter supplied with the Non-Ducted Recirculation Kit.
3. Secure the plenum to the flue mounting bracket with (2) 3.9x6mm flat head screws (the screws are supplied with the Non-Ducted Recirculation Kit "5304447635"). Fig. 13.



## INSTALL THE HOOD

Note: at least two people will be required to mount the hood.

1. Raise the hood into its mounting position.
2. Align the rectangular opening on the back of the hood with the wall-mounting bracket. Gently lower the hood until it securely engages the bracket. Fig. 14.
3. Level the hood with (2) 3.9x9.5mm mounting screws and secure with (2) 4.8x38mm mounting screws. Use drywall anchors provided if wall studs or framing are not available. Fig. 14.
4. Mount the electrical system plate attaching it with (3) 3.9x9.5mm mounting screws. Fig. 15.
5. On **ducted hoods**, attach 6" round metal duct between the hood's blower collar and duct that leads to the outside location.
6. On **non-ducted hoods**, attach 5" round metal expandable duct between the 5"- 6" adapter on the hood the connector on the plenum.
7. Tape all duct joints to make them secure and air tight.
8. Plug the power cord into the electric wall receptacle. Tuck excess cord behind the flue.

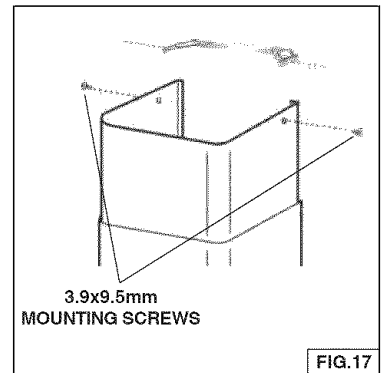
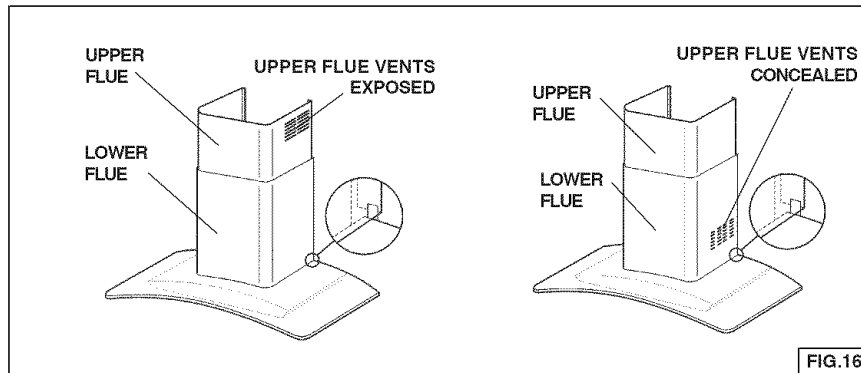


9. Carefully place the decorative flue on the hood. Fig. 16.
  - On **ducted** installation in rooms with **8-foot ceilings**, the air vents are concealed. Install the flue with the air vents down.
  - On **non-ducted** installations in rooms with **8-foot ceilings**, the air vents are exposed. Install the flue with the air vents up.
  - On **ducted and non-ducted** installations in rooms with **9-foot ceilings**, the vents are exposed. Install the flue with air vents up.

### ROOMS WITH 10-FOOT CEILINGS

Rooms with 10-foot ceilings require flue extension model 5304447637, available from your local dealer.

10. Discard the upper flue supplied with the product. Replace it with the flue extension 5304447637.
11. Raise the upper flue until its holes align with holes in the flue mounting bracket (located on ceiling). Fig. 17.
12. Secure the flue with (2) 3.9x9.5mm mounting screws. Fig. 17.



## INSTALL FILTERS

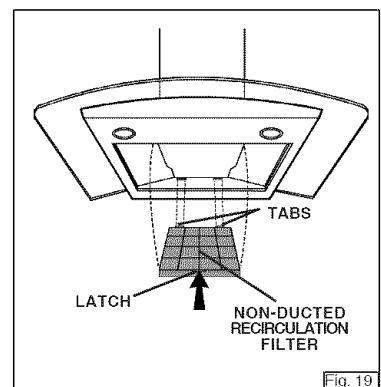
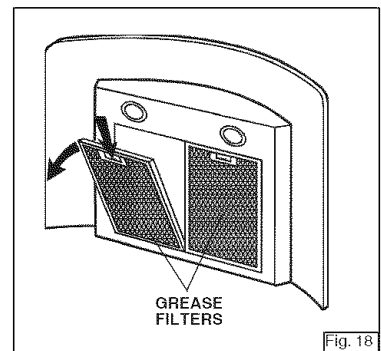
### (DUCTED AND NON-DUCTED HOODS)

1. To remove the GREASE filter, push in on the metal latch tab and tilt filter downward to remove.
2. To install the GREASE filter, align rear filter tabs with slots in the hood. Depress the metal latch tab, push filter into position and release. Make sure filter is securely engaged after installation.

NOTE: Prior to use, remove protective film from the filter frame.

### (NON-DUCTED HOODS ONLY)

1. To remove the CHARCOAL filter, push in on the front filter latch. Pull the filter down to disengage the rear filter tabs.
2. To install the CHARCOAL filter, align the rear filter tabs with slots in the hood. Push the filter up into place until the front latch snaps securely into the slot. Make sure the filter is securely engaged after assembly.
3. Install GREASE filter after charcoal filter is installed.







## LIMITED WARRANTY

Your range hood is protected by this warranty

	WARRANTY PERIOD	THROUGH OUR AUTHORIZED SERVICERS WE WILL:	THE CONSUMER WILL BE RESPONSIBLE FOR:
<b>FULL ONE-YEAR WARRANTY</b>	One year from original purchase date.	Pay all costs for repairing or replacing any parts of this appliance which prove to be defective in materials or workmanship.	Costs of service calls that are listed under <b>NORMAL RESPONSIBILITIES OF THE CONSUMER.*</b>
<b>LIMITED WARRANTY (Applicable to the State of Alaska)</b>	Time periods listed above.	All of the provisions of the full and limited warranties above and the exclusions listed below apply.	Costs of the technician's travel to the home and any costs for pick up and delivery of the appliance required because of service.

In the U.S.A., your appliance is warranted by Electrolux Home Products, Inc. In Canada, your appliance is warranted by Electrolux Canada Corp. We authorize no person to change or to add to any of our obligations under this warranty. Our obligations for service and parts under this warranty must be performed by us or an authorized servicer.

### \* NORMAL RESPONSIBILITIES OF THE CONSUMER

**This warranty applies only to products in ordinary household use, and the consumer is responsible for the items listed below:**

1. Proper use of the appliance in accordance with instructions provided with the product.
2. Proper installation by an authorized servicer in accordance with instructions provided with the appliance and in accordance with all local plumbing, electrical and/or gas codes.
3. Proper connection to a grounded power supply of sufficient voltage, replacement of blown fuses, repair of loose connections or defects in house wiring.
4. Expenses for making the appliance accessible for servicing, such as removal of trim, cupboards, shelves, etc., which are not a part of the appliance when it was shipped from the factory.
5. Damages to finish after installation.
6. Replacement of light bulbs and/or fluorescent tubes (on models with these features).

### EXCLUSIONS

**This warranty does not cover the following:**

1. CONSEQUENTIAL OR INCIDENTAL DAMAGES SUCH AS PROPERTY DAMAGE AND INCIDENTAL EXPENSES RESULTING FROM ANY BREACH OF THIS WRITTEN OR ANY IMPLIED WARRANTY.  
*Note: Some states do not allow the exclusion or limitation of incidental or consequential damages, so this limitation or exclusion may not apply to you.*
2. Service calls which do not involve malfunction or defects in workmanship or material, or for appliances not in ordinary household use. The consumer shall pay for such service calls.
3. Damages caused by services performed by servicers other than Electrolux Home Products, Inc., Electrolux Canada Corp., or their authorized servicers; use of parts other than genuine Electrolux parts; obtained from persons other than such servicers; or external causes such as abuse, misuse, inadequate power supply or acts of God.
4. Products with original serial numbers that have been removed or altered and cannot be readily determined.

### IF YOU NEED SERVICE

Keep your bill of sale, delivery slip, or some other appropriate payment record. The date on the bill establishes the warranty period should service be required. If service is performed, it is in your best interest to obtain and keep all receipts. This written warranty gives you specific legal rights. You may also have other rights that vary from state to state. Service under this warranty must be obtained by contacting Electrolux Home Products, Inc. or Electrolux Canada Corp.

This warranty only applies in the 50 states of the U.S.A., Puerto Rico, and Canada. Product features or specifications as described or illustrated are subject to change without notice. All warranties are made by Electrolux Home Products, Inc. or Electrolux Canada Corp.

2005\_04

#### USA

1•800•944•9044

Electrolux Home Products, Inc.

P.O. Box 212378

Augusta, GA 30917

#### Canada

1•800•265•8352 (English or French)

Electrolux Canada Corp.

5855 Terry Fox Way

Mississauga, Ontario, Canada

L5V 3E4

## LISEZ ET CONSERVEZ CES INSTRUCTIONS

### SEULEMENT POUR UTILISATION DOMESTIQUE

#### AVERTISSEMENTS

##### **POUR REDUIRE LES RISQUES D'INCENDIE, DE DECHARGES ELECTRIQUES OU DE DOMMAGES AUX PERSONNES, OBSERVEZ LES INSTRUCTIONS SUIVANTES:**

1. N'utilisez cet appareil que comme cela est indiqué par le constructeur. Si vous avez des problèmes, contactez le fabricant à l'adresse ou au numéro de téléphone indiqués dans la garantie.
2. Avant de pouvoir à l'entretien ou au nettoyage de votre appareil, éteignez-le au tableau des commandes ou bloquez le tableau des commandes afin d'éviter de le mettre en marche accidentellement. Si vous ne pouvez pas bloquer le système permettant d'éteindre votre appareil, appliquez un avertissement extérieur d'une façon sûre, comme par exemple un panneau, sur le tableau des commandes.
3. L'assemblage et la connexion électrique doivent être faits par des personnes qualifiées en respectant les normes et règlements en vigueur, y compris les normes et règlements concernant les possibilités d'incendie.
4. Il est indispensable qu'il y ait suffisamment d'air pour que la combustion et l'évacuation des gaz à travers le tuyau du brûleur du combustible ait lieu sans retour de flamme. Suivez les indications données par le fabricant du brûleur ainsi que les normes de sécurité comme celles qui sont publiées par l'Association Nationale pour la Protection contre les Incendies National Fire Protection Association (NFPA) et la American Society for Heating, Refrigeration and Air Conditioning Engineers (ASHRAE), et les autorités locales en matière de normes.
5. Quand vous coupez ou percez des trous dans le mur ou le plafond, n'abîmez pas les fils électriques ou autres.
6. Le ventilateur canalisé doit toujours évacuer l'air vers l'extérieur.
7. N'utilisez pas cet appareil avec un appareil contrôlant la vitesse à état solide.
8. Afin de diminuer tout risque d'incendie n'utilisez que des conduits en métal.
9. Votre appareil doit être relié à la terre.

##### **ATTENTION - POUR REDUIRE LES RISQUES D'INCENDIE DES MATIERES GRASSES QUI SONT EN TRAIN DE CUIRE:**

- A. Ne laissez jamais ni vos éléments chauffants, ni vos casseroles ou poêles sur le feu sans les contrôler si vous réglez l'apport de chaleur sur une position élevée. Si vos casseroles ou poêles débordent cela provoque de la vapeur et des éclaboussures de graisse qui peuvent prendre feu. Chauffez les huiles lentement à feu bas ou moyen.
- B. Faites toujours fonctionner votre hotte quand vous cuisez à des températures élevées ou quand vous cuisinez des plats flambés. (par ex. crêpes Suzette, Cerises "Jubilé", Steak au poivre flambé).
- C. Nettoyez régulièrement les ailes de vos ventilateurs. Ne permettez pas que la graisse s'accumule sur le ventilateur ou sur le filtre.
- D. Utilisez des casseroles de taille appropriée. Utilisez toujours des ustensiles de cuisson dont la taille est appropriée à la surface de votre élément de cuisson.

#### AVERTISSEMENTS

##### **POUR REDUIRE LES RISQUES DE DOMMAGES AUX PERSONNES AU CAS OÙ VOTRE CUISINIÈRE PRENDRAIT FEU, OBSERVEZ LES INSTRUCTIONS SUIVANTES:\***

1. ETEINDRE LES FLAMMES à l'aide d'un couvercle le plus hermétique possible, une plaque à gâteaux, ou un plateau en métal, puis éteindre le brûleur. ATTENTION à NE PAS VOUS BRÛLER. Si les flammes ne s'éteignent pas immédiatement, SORTEZ ET APPELEZ LES POMPIERS.
2. NE PRENEZ JAMAIS EN MAIN UNE POÊLE OU UNE CASSEROLE QUI A PRIS FEU - Vous pourriez vous brûler.
3. N'UTILISEZ PAS D'EAU, ni torchons ou serviettes mouillés - vous provoqueriez une violente explosion de vapeur.
4. Utilisez un extincteur SEULEMENT si:
  - A. Vous savez que vous avez un extincteur Classe ABC, et vous en connaissez déjà le mode d'emploi.
  - B. Ce n'est pas un très gros incendie et qu'il se limite à l'endroit où il a explosé.
  - C. Vous êtes en train d'avertir les pompiers.
  - D. Vous avez la possibilité d'essayer d'éteindre l'incendie en ayant le dos tourné vers une issue.

\* D'après les "Suggestions concernant la Sécurité contre les incendies des cuisines" publiées par NFPA.

#### ATTENTION

1. Pour réduire tout risque d'incendie et pour évacuer correctement l'air, assurez-vous de prévoir un conduit de ventilation extérieur. Ne videz pas l'air dans les espaces limités par des murs ou des plafonds, les combles, les passages étroits ou les garages.
2. Faites très attention quand vous utilisez des produits de nettoyage ou des détergents.
3. Évitez d'utiliser des aliments pouvant s'enflammer sous la Range Hood.
4. N'utilisez cet appareil que pour une ventilation générale. Ne l'utilisez pas pour évacuer des matières ou des vapeurs dangereuses ou qui peuvent exploser.
5. Pour éviter de causer des dommages au moteur et de rendre les rotors bruyants et/ou non équilibrés, évitez que les sprays pour murs secs, la poussière de construction entrent en contact avec la partie électrique.
6. Le moteur de votre hotte a un thermostat qui éteindra automatiquement le moteur s'il est surchauffé. Le moteur se remettra en marche lorsqu'il se sera refroidi. Si le moteur continue à s'éteindre et à se remettre en marche, faites vérifier votre hotte.
7. Pour mieux capturer les impuretés de cuisine, le bas de votre hotte devrait être à une distance minimum de 24" et à une distance maximum de 30" au-dessus du plan de cuisson. Voir la section "Installation évier d'assemblage" pour les restrictions de montage.
8. Vu que cette hotte est grande et lourde, il est recommandé de confier l'installation de cette hotte à deux personnes.
9. Ce produit est doté d'un thermostat qui active automatiquement le moteur. Pour réduire le risque de dommages et éviter l'activation accidentelle, positionner l'interrupteur du panneau de service sur la position OFF et bloquer le panneau de service ou mettre un avertissement externe, par exemple une plaquette.
10. Nous vous recommandons de lire l'étiquette indiquant les caractéristiques de votre hotte pour de plus amples informations et exigences.

## FONCTIONNEMENT

### Commandes

Votre hotte fonctionne grâce aux (5) boutons sur lesquels vous devez appuyer et qui se trouvent à la hauteur de vos yeux, sur le devant de votre hotte.

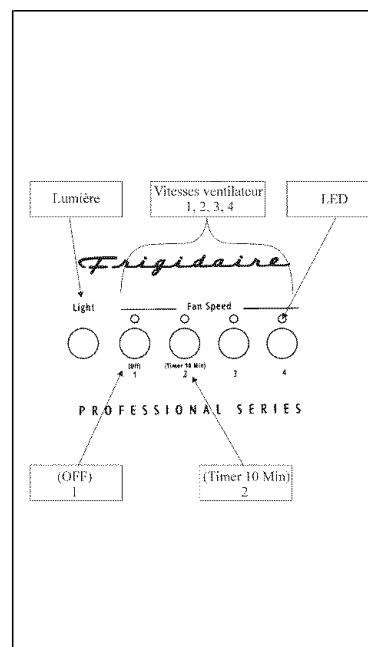
Le **bouton de la lumière** allume et éteint les lampes halogènes. En pressant 1 fois la touche, la lumière s'allume au 1<sup>er</sup> niveau; en pressant 2 fois la touche, la lumière du 2<sup>ème</sup> niveau s'allume (éclairage plus intense); en pressant encore une fois la touche, la lumière s'éteint.

Le **bouton ON/OFF vitesse 1** du ventilateur fait fonctionner le ventilateur à la vitesse la plus basse. Vous éteignez le ventilateur appuyant sur le bouton pendant 2 secondes environ.

Le **bouton deuxième vitesse** fait fonctionner le ventilateur à une vitesse moyennement basse. En appuyant une deuxième fois sur ce bouton vous faites fonctionner un timer qui fera fonctionner le ventilateur à cette vitesse pendant 10 minutes. Le voyant lumineux clignotera pendant tout ce temps et le ventilateur s'arrêtera automatiquement.

Les **boutons du ventilateur 3ème et 4ème vitesse** font fonctionner ce dernier comme le bouton deuxième vitesse avec la différence que le bouton 3ème vitesse est une vitesse moyennement élevée et le bouton 4ème vitesse est une vitesse élevée.

Au bout d'environ 30 heures de fonctionnement, le LED rouge du "Bouton -vitesse 1" se met à clignoter; cela indique que les filtres anti-graisse doivent être nettoyés. Après avoir remonté les filtres anti-graisse propres, appuyez sur le bouton de la lumière pendant 2 secondes environ, au même temps les voyants lumineux clignotent



## AMPOULES HALOGENES

Ce modèle de hotte veut deux (2) ampoules halogènes (Type JC, 12Volt, 20Watt Max, G-4 Base).

**ATTENTION:** Avant de procéder à quelque opération, débranchez l'appareil.

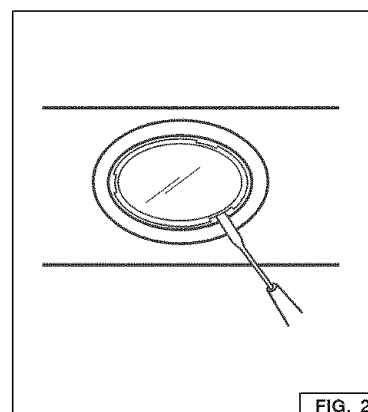
Pour changer les ampoules:

1. Ouvrez le couvercle en faisant levier grâce aux fissures prévues à cet effet.
2. Enlevez l'ampoule en tirant des deux côtés. (NE PAS FAIRE TOURNER).

**ATTENTION :** L'ampoule peut être chaude.

3. Remplacer par une ampoule ayant les mêmes caractéristiques (JC, 12Volt, 20Watt Max, G-4 Base). Ne touchez pas l'ampoule de remplacement à main nue!

**ATTENTION :** L'utilisation d'ampoules supérieures à 20 watts ouvrira le fusible.



## REPLACEMENT FUSIBLE

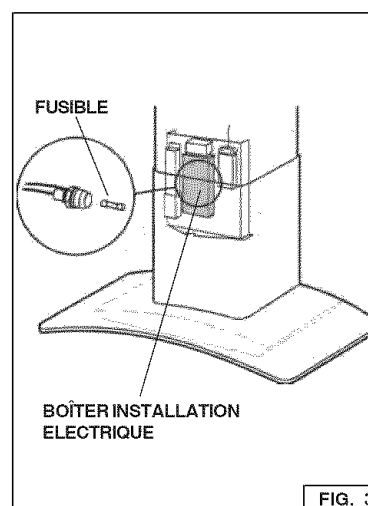
**SI LA LUMIÈRE NE FONCTIONNE PAS, DÉCONNECTEZ LA PUISSANCE À L'ENTRÉE DU BRANCHEMENT. VÉRIFIEZ LE FUSIBLE ET REMPLACEZ-LE SI NÉCESSAIRE.**

1. Soulevez ou retirez le carneau décoratif inférieur. Voir Figure 3.
2. Retirez le couvercle du boîtier installation électrique.
3. Dévissez le capot du support du fusible et retirez le fusible.
4. Remplacez le fusible par un fusible de même taille et de même intensité (5 x 20 mm, 4 amp, 125 volts).

**ATTENTION :** L'utilisation d'un fusible supérieur à 4 amps peut endommager le transformateur.

5. Réinstallez le capot du support du fusible, le couvercle du boîtier installation électrique et le carneau.

6. Reconnectez l'alimentation à l'entrée du branchement.



## ENTRETIEN

Un bon entretien de votre hotte garantira une excellente performance.

### Filtres à graisse

Les **filtres à graisse** devront être fréquemment nettoyés. Utilisez une solution à base de détergent tiède. Les filtres à graisse peuvent aller au lave-vaisselle.

Voir la section " INSTALLATION DES FILTRES " pour les instructions d'installation et de retrait.

### FILTRE À CHARBON (Configurations non carénées)

Le filtre à charbon devra être changé tous les 6 mois.

Voir la section " INSTALLATION DES FILTRES " pour les instructions d'installation et de retrait.

### Nettoyage de votre hotte

L'acier inoxydable est une des matières les plus faciles à nettoyer. Un entretien de temps en temps permettra de le conserver en parfait état. Conseils pour le nettoyage:

- Eau chaude et savon ou détergent est tout ce qui est normalement nécessaire.
- Après chaque nettoyage, rincez bien à l'eau claire. Essuyez avec un chiffon propre et doux afin d'éviter les taches d'eau.
- Si des décolorations ou des dépôts persistent, utilisez un nettoyant domestique non abrasif ou de la poudre pour l'acier inoxydable et un peu d'eau et un chiffon doux.
- Dans les cas difficiles, utilisez une éponge en plastique ou une brosse douce avec du nettoyant et de l'eau. Frottez légèrement en suivant la direction du polissage ou du "grain" de l'acier inoxydable. Evitez de frotter trop fort afin de ne pas abîmer la surface.
- **NE LAISSEZ PAS** les taches trop longtemps.
- **N'UTILISEZ PAS** de laines d'acier ordinaires ou des brosses en acier. Des débris d'acier pourraient adhérer à la surface et causer de la rouille.
- **NE PERMETTEZ PAS** que des solutions salées, des désinfectants, des blanchissants ou des produits nettoyants restent en contact avec l'acier pendant longtemps. Beaucoup de ces produits contiennent des produits chimiques qui pourraient causer des dommages. Rincez à l'eau immédiatement s'ils entrent en contact et essuyez avec un chiffon humide.

Les surfaces peintes doivent être nettoyées avec de l'eau tiède additionnée d'un détergent doux seulement.

## PREPAREZ LA HOTTE

Enlever la hotte dans l'emballage et contrôler le contenu.

Vous devez recevoir :

- 1 - Hotte
- 1 - Conduit décoratif
- 1 - Sachet (B080810604) avec:
  - 1 - Support de fixation
  - 1 - Collier d'évacuation
  - 1 - Étrier de support
  - 6 - Vis d'assemblage (4,8 x 38mm Tête ronde)
  - 7 - Vis d'assemblage (3,9 x 9,5mm Tête ronde)
  - 2 - Vis d'assemblage (3,9 x 6 mm Tête plate)
  - 6 - Chevilles
- 1 - Instructions pour l'installation
- 1 - Garantie

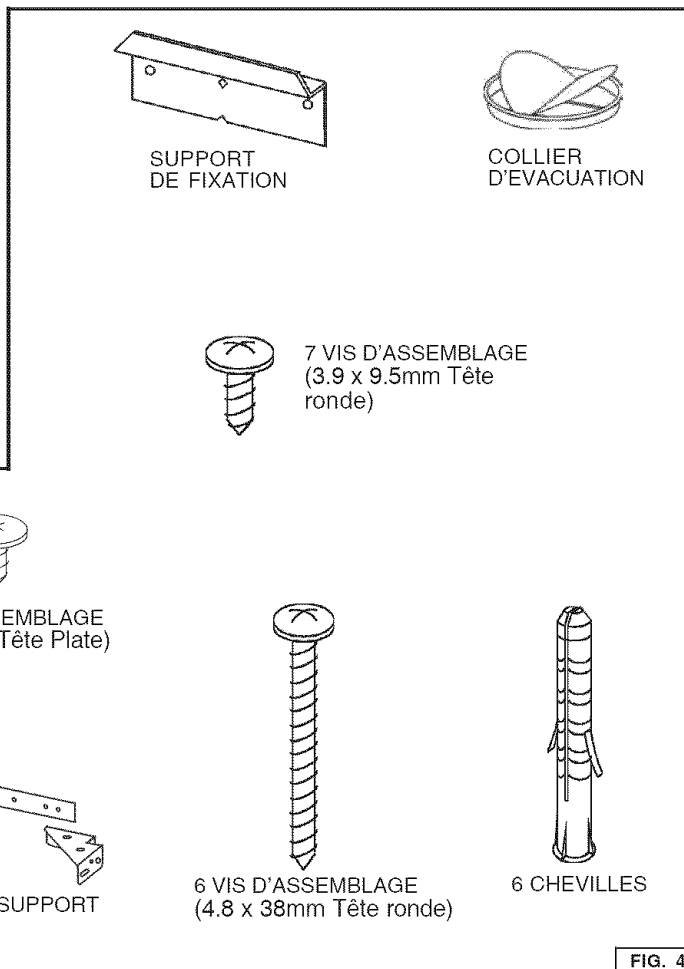
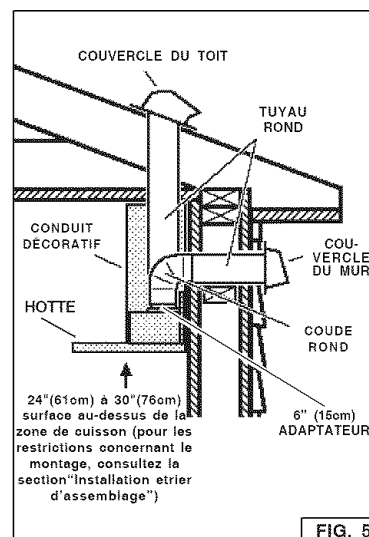


FIG. 4

## INSTALLATION DU SYSTEME D'EVACUATION

**ATTENTION:** Pour réduire les risques d'incendie, n'utilisez que des tuyaux en métal.

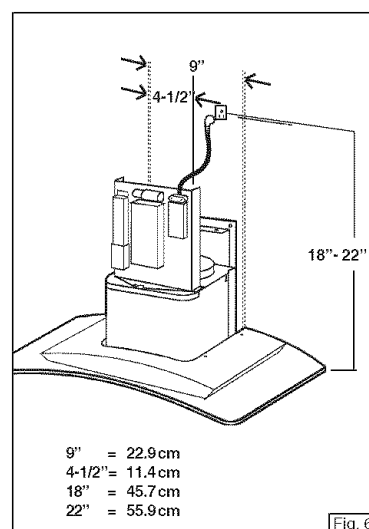
1. Décidez où le tuyau rond doit être installé, entre votre hotte et l'extérieur.
2. Un tuyau droit et court permettra à votre hotte de fonctionner d'une façon plus efficace.
3. Un tuyau long avec des coudes et des transitions réduira le bon fonctionnement de votre hotte. En utiliser le moins possible. Pour de longues utilisations, il faut un tuyau d'évacuation d'air ayant un diamètre plus large.
4. Installez un couvercle sur le toit ou au mur. Reliez un tuyau en métal rond au couvercle et faites-le aller jusqu'à l'emplacement de votre hotte. Rendez les jonctions du tuyau hermétiques au moyen d'un ruban pour tuyaux.



## INSTALLATION ÉLECTRIQUE

**ATTENTION :** Les fils électriques doivent être installés par une/des personne(s) qualifiée(s) conformément à tous les codes et standards applicables. Cette hotte doit être correctement mise à la terre. Éteignez l'alimentation électrique à l'entrée du branchement avant la connexion.

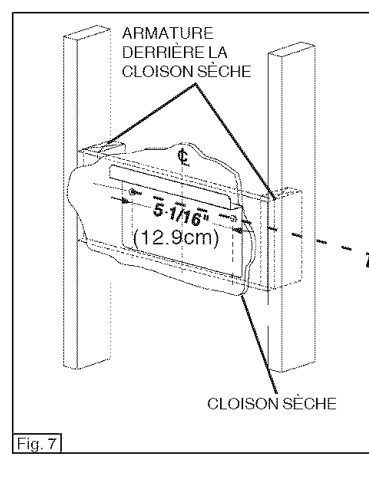
1. Prévoyez que la hotte sera installée au-dessus de la table de cuisson. Reportez-vous à la section "INSTALLATION SUPPORT DE FIXATION" pour les options de hauteur du montage de la hotte.
2. Installez un coffret de prise de courant mural standard 2" x 4" et une prise de terre à 3 broches de 125 volts, 15 Amp.
3. Montez la prise de courant 18" à 22" au-dessus du bas de la hotte.
4. Placez la prise dans les limites indiquées et en dehors du centre des systèmes de gaines (pour permettre une distance du cordon d'alimentation et du carneau).



## INSTALLATION SUPPORT DE FIXATION

(HOTTES CARÉNÉES OU NON CARÉNÉES)

1. Construisez une **armature** murale en bois affleurée avec une surface intérieure de poteaux de cloison. Assurez-vous que :
  - a) l'armature est centrée au-dessus du futur emplacement de la hotte ;
  - b) la hauteur de l'armature permettra d'y fixer le **support de fixation** en respectant les dimensions indiquées.
2. **Une fois la surface murale terminée**, fixez le support de fixation à l'armature au moyen des (2) vis d'assemblage 4.8x38mm. Voir schéma ci-dessous pour l'emplacement de l'etrier d'assemblage.



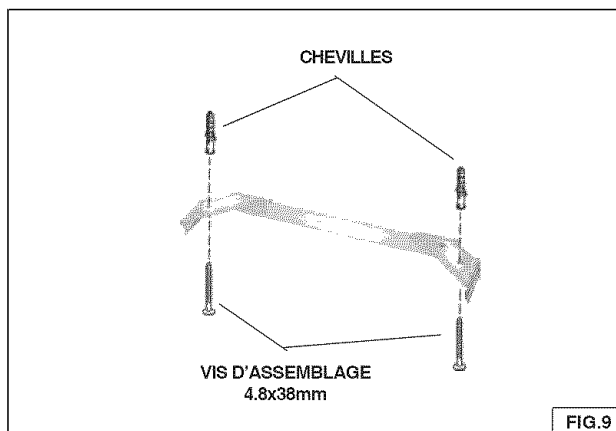
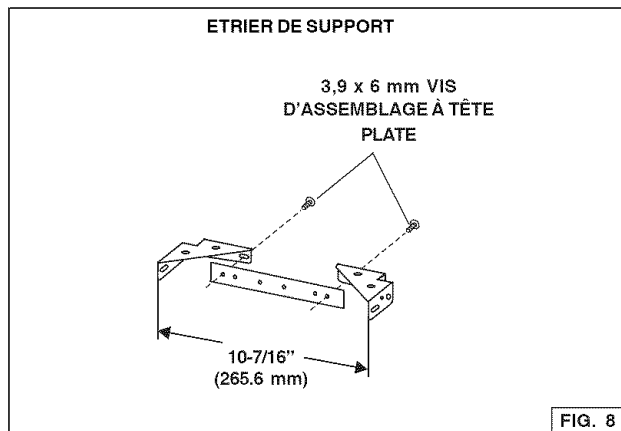
HAUTEUR DU PLAFOND	MÉTHODE D'INSTALLATION DES CONDUITS	ESPACEMENT ENTRE LA HOTTE ET LE PLAN DE CUISSON DE 36" DE HAUT (VOIR REMARQUE CI-DESSOUS)						
		24"	25"	26"	27"	28"	29"	30"
8'	CARÉNÉE	37"	38"	39"	40"	41"		
	NON CARÉNÉE	37"	38"	39"	40"			
9'	CARÉNÉE OU NON CARÉNÉE	37"	38"	39"	40"	41"	42"	43"
10'	CARÉNÉE AVEC 5304447637			39"	40"	41"	42"	43"

Remarque : la distance minimum au-dessus du plan de cuisson doit être supérieure à 24". Pour que la hotte puisse mieux aspirer les impuretés, il est recommandé de prévoir une distance maximum de 30" au-dessus du plan de cuisson. L'installateur et l'utilisateur peuvent décider d'installer la hotte à une distance supérieure à 30", si la hauteur du plafond et la longueur du conduit le permettent.

## INSTALLATION ETRIER DE SUPPORT

### (HOTTES CARÉNÉES OU NON CARÉNÉES)

1. Assemblez le support de fixation du carneau en réglant la largeur extérieure comme indiqué. Fig. 8.
2. Centrez **soigneusement** le support de fixation directement sur l'emplacement destiné à la hotte.
3. Fixez l'étrier de support au plafond au moyen de deux (2) vis de montage de 4,8 x 38 mm et chevilles (Fig. 9). Vérifiez que le support est enfoncé dans le mur adjacent et qu'il est centré au-dessus de la hotte.

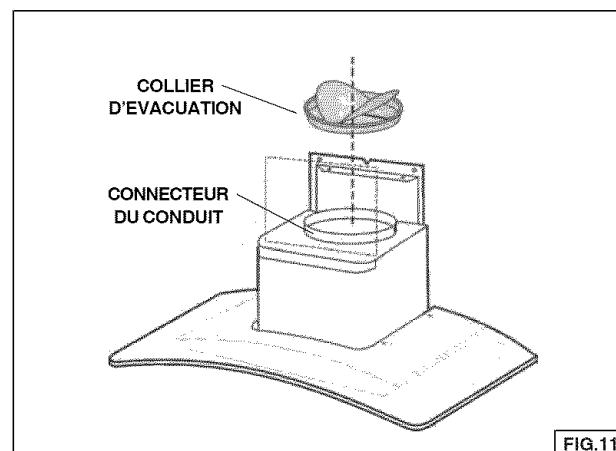
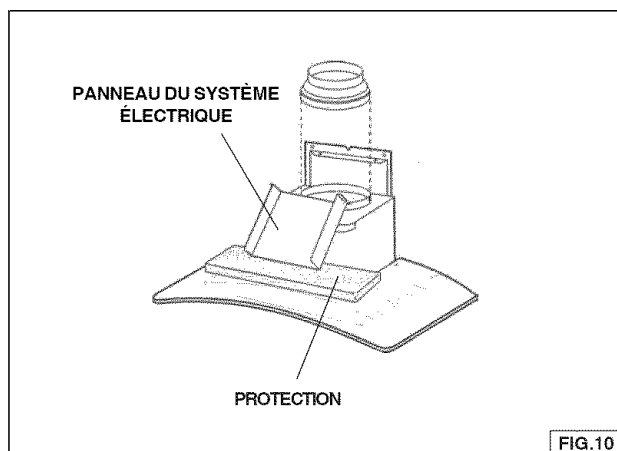


## PRÉPARATION DE LA HOTTE

Remarque : si la hotte est en acier inoxydable, retirez précautionneusement le film protecteur des surfaces extérieures et des carnaux décoratifs avant de terminer l'installation.

### (HOTTES CARÉNÉES)

1. Enlevez le ruban adhésif sur le panneau du système électrique; placez le panneau du système électrique sur la hotte (utilisez une protection). Fig. 10.
2. Installez le collier d'évacuation dans le connecteur du conduit (Fig. 11).



## PRÉPARATION DE LA HOTTE

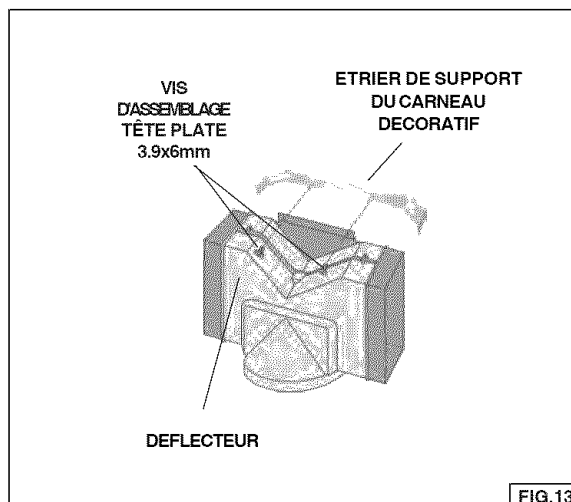
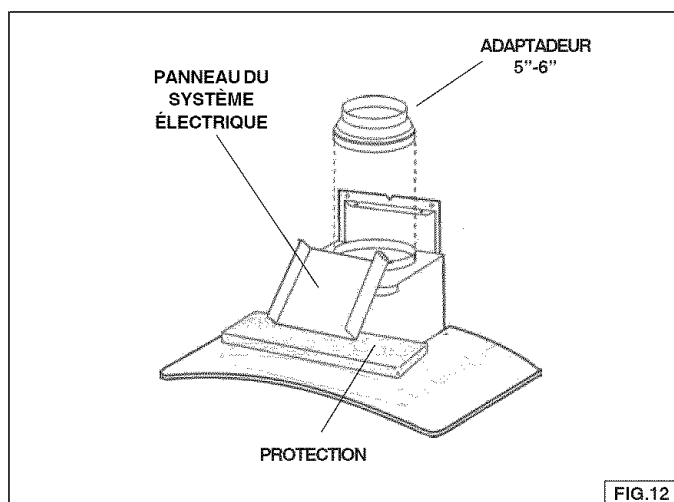
### (CONFIGURATION NON CARÉNÉE)

Remarque : Le matériel doit être acheté séparément pour des installations non carénées.

Kit de recirculation non caréné, modèle 5304447635.

Conduit de 5" de diamètre.

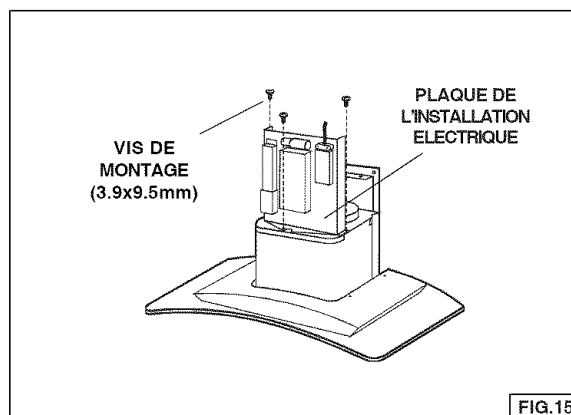
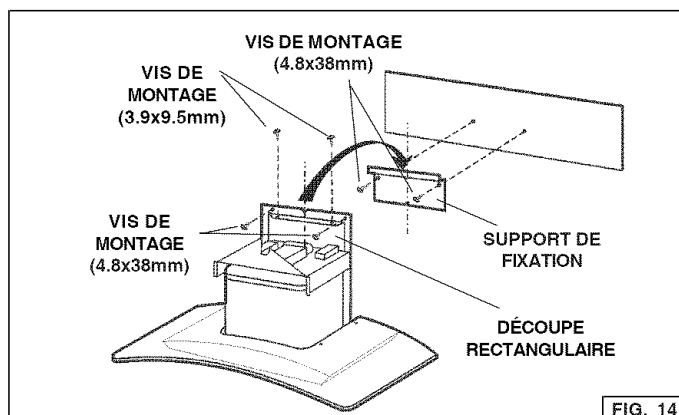
1. Enlevez le ruban adhésif sur le panneau du système électrique; placez le panneau du système électrique sur la hotte (utilisez une protection). Fig. 12
2. Ne comptez pas le collier d'évacuation/clapet fournis avec la hotte. Installez l'adaptateur de 5" à 6" fourni avec le kit de recirculation non caréné.
3. Fixez le deflecteur à l'étrier de support carneau décoratif au moyen des (2) vis d'assemblage tête plate 3.9x6mm (les vis sont fournies avec le Kit de recirculation non caréné "5304447635"). Fig. 13.



## INSTALLATION DE LA HOTTE

Remarque : la hotte doit être installée par au moins deux personnes.

1. Soulevez la hotte et placez-la à l'endroit où elle sera installée.
2. Alignez l'ouverture rectangulaire située à l'arrière de la hotte avec le support de fixation murale. Abaissez lentement la hotte jusqu'à ce qu'elle s'emboîte avec le support (Fig. 14).
3. Mettez la hotte à niveau au moyen des vis d'assemblage (3.9x9.5mm) et fixez-la au moyen de deux (2) vis de montage 4.8x38mm. Si vous ne disposez pas de poteaux de cloison ni d'armature, utilisez les chevilles murales fournies (Fig. 14).
4. Monter la plaque de l'installation électrique en la fixant avec 3 vis d'assemblage (3.9x9.5mm). Fig. 15.
5. Pour les **hottes carénées**, attachez un conduit arrondi en métal entre le connecteur du conduit de la hotte et le conduit d'évacuation.
6. Pour les **hottes non carénées**, attachez un conduit arrondi expansible en métal entre l'adaptateur de 5"-6" et le deflecteur.
7. Reliez toutes les sections pour empêcher le passage de l'air.
8. Branchez le cordon d'alimentation à la prise murale. Faites passer la longueur de cordon qui dépasse derrière le carneau.



9. Placez précautionneusement le carneau décoratif sur la hotte (Fig. 16).

- Pour les hottes **carénées**, lorsque le plafond est de 8', les prises d'air du carneau supérieur sont dissimulées. Installez le carneau avec les prises d'air vers le bas.
- Pour les hottes **non carénées**, lorsque le plafond est de 8', les prises d'air du carneau supérieur seront visibles une fois installées. Installez le carneau avec les prises d'air vers le haut.
- Pour les hottes **carénées et non carénées**, lorsque le plafond est de 9', les prises d'air du carneau supérieur seront visibles une fois installées. Installez le carneau avec les prises d'air vers le haut.

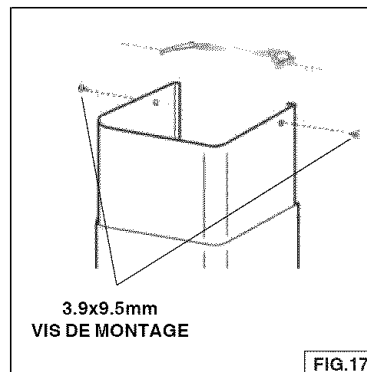
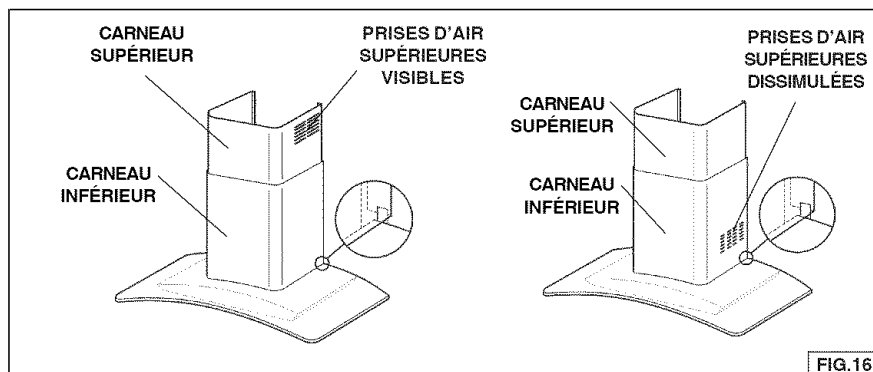
#### PIÈCES AVEC DES PLAFONDS DE 10'

Les pièces avec des plafonds de 10' ont besoin d'un modèle d'extension de carneau 5304447637, disponible auprès de votre distributeur local.

10. Jetez le carneau supérieur fourni avec le produit. Remplacez-le par l'extension de carneau 5304447637.

11. Soulevez le carneau supérieur jusqu'à ce que ses trous soient alignés avec les trous de l'étrier de support du carneau (situé au plafond). Fig. 17.

12. Fixez le carneau au moyen de (2) vis de montage 3.9x9.5mm. Fig. 17.



## INSTALLATION DES FILTRES

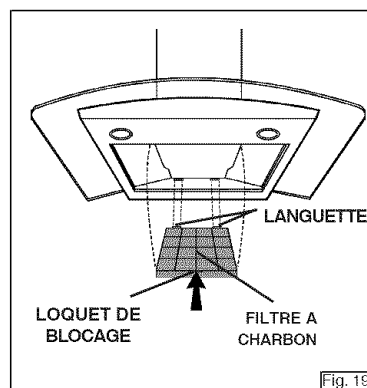
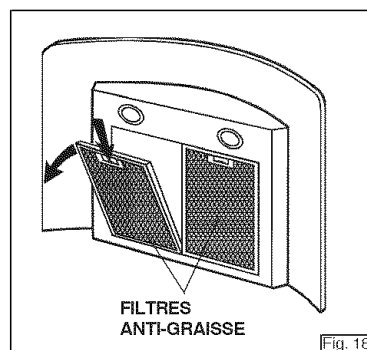
### (CONFIGURATIONS CARÉNÉES ET NON CARÉNÉES)

1. Pour retirer le filtre à GRAISSE, attrapez la languette du taquet et abaissez-la afin de dégager le filtre de la hotte.
2. Pour remettre le filtre à GRAISSE en place, alignez les languettes arrière du filtre avec les fentes de la hotte. Abaissez la languette vers le bas, poussez le filtre pour le remettre à sa place, puis relâchez. Vérifiez que le filtre est bien placé.

REMARQUE : Avant utilisation, retirez le film de protection du cadre du filtre.

### (CONFIGURATIONS NON CARÉNÉES)

1. Pour retirer le filtre à CHARBON, appuyez sur le taquet frontal du filtre. Abaissez le filtre pour dégager ses languettes arrière.
2. Pour remettre le filtre à CHARBON en place, alignez les languettes arrière du filtre avec les fentes de la hotte. Poussez le filtre pour le remettre en place jusqu'à ce que le taquet frontal s'emboîte complètement dans la fente. Vérifiez que le filtre est bien placé.
3. Mettez le filtre à GRAISSE en place après avoir installé le filtre à charbon.







## GARANTIE LIMITÉE

Votre hotte est protégée par cette garantie

	PÉRIODE DE GARANTIE	AU TRAVERS DE NOS AGENTS AGRÉÉS, NOUS :	LE CONSOMMATEUR SERA RESPONSABLE DE :
<b>GARANTIE D'UN AN</b>	Un an à partir de la date d'achat d'origine.	Paierons tous les frais de réparation ou de remplacement de toute pièce de cet appareil défectueuse en terme de matériaux ou de main d'œuvre.	Frais d'appels techniques qui sont répertoriés comme étant <b>DE LA RESPONSABILITÉ NORMALE DU CONSOMMATEUR.*</b>
<b>GARANTIE LIMITÉE (Applicable à l'État d'Alaska)</b>	Périodes mentionnées ci-dessus.	Toutes les clauses des garanties limitée et totale ci-dessus ainsi que les exclusions mentionnées ci-dessus s'appliquent.	Frais de déplacement du technicien au domicile et tous frais de récupération et de livraison du dispositif nécessaires à la réparation.

Aux États-Unis, votre appareil est garanti par Electrolux Home Products, Inc. Au Canada, votre appareil est garanti par Electrolux Canada Corp. Nous n'autorisons personne à changer ou à ajouter des obligations sous garantie. Nos obligations de réparation et de pièces sous garantie doivent être exécutées par nous ou par un agent agréé.

### \*RESPONSABILITÉS NORMALES DU CONSOMMATEUR

**Cette garantie s'applique uniquement aux produits utilisés de façon domestique ordinaire et le consommateur est responsable des faits mentionnés ci-dessous :**

1. Utilisation appropriée de l'appareil conformément aux instructions fournies avec le produit.
2. Installation appropriée par un agent agréé conformément aux instructions fournies avec l'appareil et à toutes les normes locales concernant le gaz, l'électricité et la plomberie.
3. Connexion appropriée à une alimentation à la terre d'une tension suffisante, remplacement des fusibles fondus, réparation des connexions lâches ou des défauts dans les fils électriques.
4. Frais concernant l'appareil pour qu'il puisse être réparé, tels que retrait de protections, placards, étagères, etc. qui ne font pas partie de l'appareil lorsqu'il a été expédié depuis l'usine.
5. Dommages après installation.
6. Remplacement d'ampoules et/ou de tubes néons (sur les modèles ayant ces caractéristiques).

### EXCLUSIONS

**Cette garantie ne couvre pas ce qui suit :**

1. DOMMAGES INDIRECTS OU ACCESSOIRES TELS QUE DOMMAGE À LA PROPRIÉTÉ ET FRAIS ACCESSOIRES RÉSULTANT DE TOUTE RUPTURE DE CETTE GARANTIE OU DE TOUTE AUTRE GARANTIE TACITE.

*Remarque : Certains états n'autorisent pas l'exclusion ou la limitation des dommages indirects ou accessoires, donc cette limitation ou exclusion peut ne pas vous être appliquée.*

2. Les appels techniques qui n'impliquent aucun dysfonctionnement ou défaut de main d'œuvre ou de matériaux, ou pour tout appareil non utilisé de façon ordinaire et domestique. Le consommateur devra payer de tels appels techniques.
3. Dommages causés par des services effectués par des agents autres que Electrolux Home Products, Inc., Electrolux Canada Corp., Ou leurs agents agréés ; Utilisation de pièces autres que les véritables pièces Electrolux ; Obtenues auprès de personnes autres que de tels agents ; Ou causes externes telles que abus, mauvaise utilisation, alimentation électrique inappropriée ou catastrophes naturelles.
4. Produits avec des numéros de série d'origine ayant été retirés ou modifiés et qui ne peuvent être facilement déterminés.

### SI VOUS AVEZ BESOIN D'UNE RÉPARATION

Conservez votre ticket de caisse, votre bon de livraison ou tout autre preuve de paiement appropriée. La date sur la facture établit la période de garantie en cas de réparation. En cas de réparation, il est dans votre intérêt d'obtenir et de conserver tous les reçus. Cette garantie écrite vous donne des droits légaux spécifiques. Vous pouvez également avoir d'autres droits qui varient d'un état à l'autre. Toute réparation sous garantie doit être obtenue en contactant Electrolux Home Products, Inc. ou Electrolux Canada Corp.

Cette garantie s'applique uniquement aux 50 états des États-Unis, à Puerto Rico, et au Canada. Les caractéristiques ou spécifications des produits décrites ou illustrées sont soumises à changement sans avis préalable. Toutes les garanties sont délivrées par Electrolux Home Products, Inc. ou Electrolux Canada Corp. 2005\_04

#### USA

1•800•944•9044

Electrolux Home Products, Inc.

P.O. Box 212378

Augusta, GA 30917

#### Canada

1•800•265•8352 (English or French)

Electrolux Canada Corp.

5855 Terry Fox Way

Mississauga, Ontario, Canada

L5V 3E4

## SERVICE PARTS

MODEL PL36WC40EC

KEY NO.	PART NO.	DESCRIPTION
9	B08087294	Grease Filter
14	B02300233	Motor Capacitor
16	BE3348100	Electrical System Plate
19	B03295005	Terminal Box
26	B02300891	Halogen Lamp Bulb
38	B03292357	Control Board Box
38	BW0000027	Control Boards + Trimming
39	B03294033	Control Board Cover
45	BW0000019	Blower
48	B02310203	Motor
49	B03295076	Blower Wheel
53	B03202007	Rubber Washer
60	B02300249	Feeder Cable
62	B08091397	Blower Mounting Cover
76	B02005036	Glass
86	B08088378	Discharge Collar
92	BE3348181	Switch Mounting Bracket
110	B03202430	Flue Gasket
110	B02000509	Glass Gasket
118	BE3343563	Lower Flue
119	BE3343560	Upper Flue
120	B08091367	Flue Mounting Bracket
144	B03292287	Wire Clamp
145	B032920170	Feeder cable connection Box
146	B032920180	Feeder Cable Connection Box Cover
147	BR2300132	Junction Clamp
151	B032920200	Electrical Box Wires Stop
165	B03295008	Control Board Box
166	B08086662	Control Board
208	B02300783	Transformer
223	B03292296	Switch Button
230	B03292477	Switch Board Box Cover
234	B03292476	Control Board Box
332	B03295009	Cover
407	BE3344985	Blower Support Bracket
472	BE3343673	Bracket
474	B02300798	Halogen Lamp Housing
477	B03294776	Terminal Cover
998	B080810604	Hardware Package
*	B06002013	Blower Assembly (Includes Key Nos. 45, 48, 49, 53)
*	B06108543	Switch Assembly (Includes Key Nos. 234, 38, 223, 230)
-	B03300488	Non-ducted recirculation filter
-	B08999029	Non-ducted recirculation KIT
-	B02300782	Fuse
-	B02300674	Fuse holder

\* Not shown assembled.

## LISTE PIECES DE RECHANGE

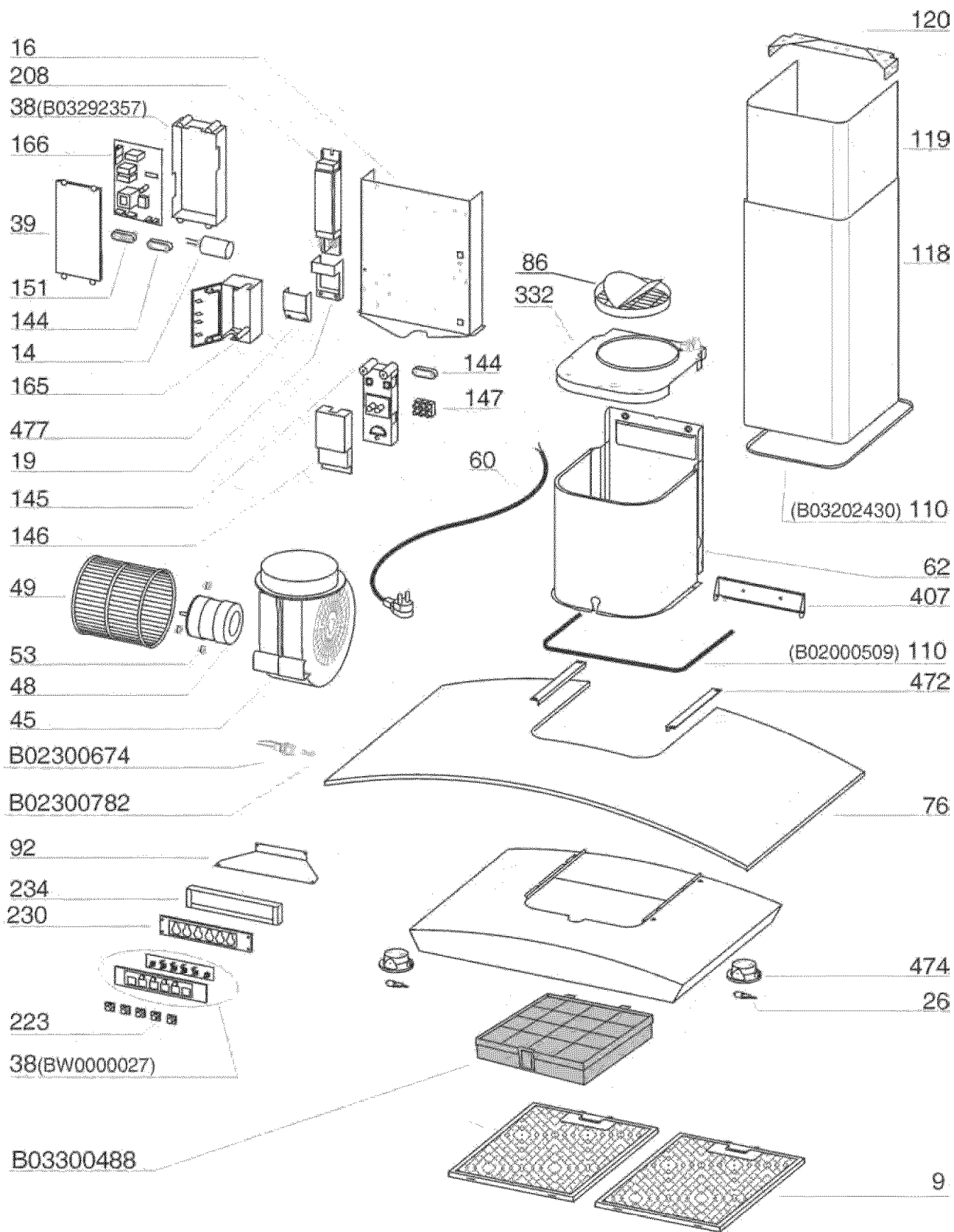
MODELE PL36WC40EC

N.	PARTN.	DESCRIPTION
9	B08087294	Filtre à graisse
14	B02300233	Condensateur
16	BE3348100	Panneau du système électrique
19	B03295005	Boîte borne
26	B02300891	Lampe halogène
38	B03292357	Boîte installation électrique
38	BW0000027	Circuit imprimé commandes + Enjoliveur
39	B03294033	Couvercle boîte installation électrique
45	BW0000019	Convoyer
48	B02310203	Moteur
49	B03295076	Turbine du moteur
53	B03202007	Pare chocs
60	B02300249	Cable alimentation
62	B08091397	Support moteur
76	B02005036	Verre
86	B08088378	Collier d'évacuation
92	BE3348181	Etriers commandes
110	B03202430	Garniture carneau inférieur
110	B02000509	Garniture verre
118	BE3343563	Carneau décoratif inférieur
119	BE3343560	Carneau décoratif supérieur
120	B08091367	Etrier montage tube
144	B03292287	Serre cable
145	B032920170	Boîte cable alimentation
146	B032920180	Couvercle boîte cable alimentation
147	BR2300132	Borne
151	B032920200	Serre cable
165	B03295008	Boîte installation électrique
166	B08086662	Circuit imprimé installation électrique
208	B02300783	Transformateur
223	B03292296	Bouton
230	B03292477	Couvercle boîte commandes
234	B03292476	Boîte commandes
332	B03295009	Bouchon
407	BE3344985	Etrier support convoyer
472	BE3343673	Etrier
474	B02300798	Boîte lampe halogène
477	B03294776	Couvercle borne
998	B080810604	Accessoires de fixation
*	B06002013	Ensemble moteur (Comprenant n. 45, 48, 49, 53)
*	B06108543	Ensemble commandes (Comprenant n.234, 38, 223, 230)
-	B03300488	Filtre à charbon (hottes non carénées)
-	B08999029	Kit de recirculation non caréné
-	B02300782	Fusible
-	B02300674	Porte-fusible

\* Illustrées séparément.

# SERVICE PARTS - LISTE PIECES DE RECHANGE

MODEL PL36WC40EC



99043735A  
04307455/1