
Installation Instructions

Gas & Electric Dryer

Instrucciones de Instalación

Secadora a Gas y Eléctrica

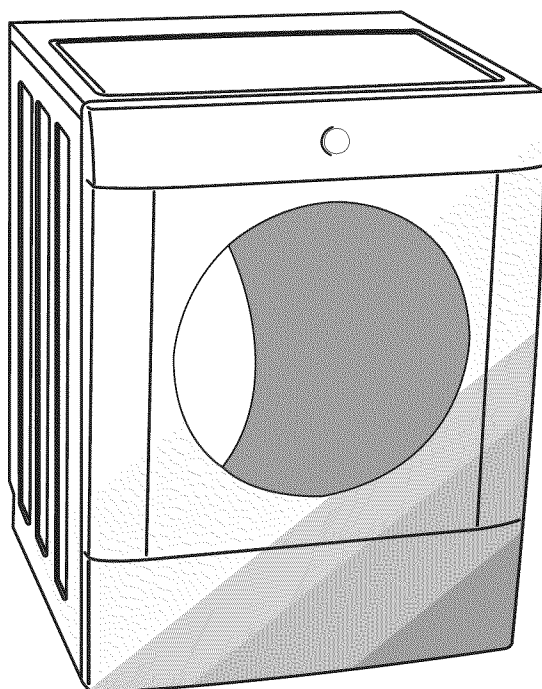


Table of Contents

Important Safety Instructions	2	Reversing door.....	14-15
Pre-installation Requirements	2	Accessories/Replacement parts.....	16
Installation Requirements.....	3-7	Español.....	17
Installed Dimensions	8		
Installation Instructions	9-13		

Important Safety Instructions

⚠ WARNING For your safety the information in this manual must be followed to minimize the risk of fire or explosion or to prevent property damage, personal injury or loss of life. Do not store or use gasoline or other flammable vapors and liquids in the vicinity of this or any other appliance.

Recognize safety symbols, words and labels

Safety items throughout this manual are labeled with a WARNING or CAUTION based on the risk type as described:

⚠ WARNING This symbol alerts you to situations that may cause serious body harm, death or property damage.

⚠ CAUTION This symbol alerts you to situations that may cause bodily injury or property damage.

⚠ WARNING - *RISK OF FIRE* - Read all of the following instructions before installing and using this appliance:

- Destroy the carton and plastic bags after the dryer is unpacked. Children might use them for play. Cartons covered with rugs, bedspreads, or plastic sheets can become airtight chambers causing suffocation. Place all materials in a garbage container or make materials inaccessible to children.
- Clothes dryer installation and service must be performed by a qualified installer, service agency or the gas supplier.
- Install the clothes dryer according to the manufacturer's instructions and local codes.
- The electrical service to the dryer must conform with local codes and ordinances and the latest edition of the National Electrical Code, ANSI/NFPA 70, or in Canada, the Canadian electrical code C22.1 part 1.
- The gas service to the dryer must conform with local codes and ordinances and the latest edition of the National Fuel Gas Code ANSI Z223.1, or in Canada, CAN/ACG B149.1-2000.
- The dryer is designed under ANSI Z 21.5.1 or ANSI/UL 2158 - CAN/CSA C22.2 No. 112 (latest editions) for HOME USE only. This dryer is not recommended for commercial applications such as restaurants, beauty salons, etc.
- Do not install a clothes dryer with flexible plastic venting material. Flexible venting materials are known to collapse, be easily crushed and trap lint. These conditions will obstruct clothes dryer airflow and increase the risk of fire.
- The instructions in this manual and all other literature included with this dryer are not meant to cover every possible condition and situation that may occur. Good safe practice and caution MUST be applied when installing, operating and maintaining any appliance.

WHAT TO DO IF YOU SMELL GAS:

- Do not try to light any appliance.
- Do not touch any electrical switch; do not use any phone in your building.
- Clear the room, building or area of all occupants.
- Immediately call your gas supplier from a neighbor's phone. Follow the gas supplier's instructions.
- If you cannot reach your gas supplier, call the fire department.

Save these instructions for future reference.

Pre-Installation Requirements

Tools and materials needed for installation:

- Adjustable pliers
- Phillips, straight, & square bit screw-drivers
- Adjustable wrench
- Pipe wrench for gas supply (gas dryer)
- LP-resistant thread tape (for natural gas or LP supply, gas dryer)
- Carpenter's level
- External vent hood
- 4-inch (10.2 cm), rigid metal or semi-rigid metal exhaust duct work
- 3-wire or 4-wire 240 volt cord kit (electric dryer)
- 4 in. (10.2 cm) clamp
- Gas line shutoff valve (gas dryer)
- ½ NPT union flare adapters (x2) and flexible gas supply line (gas dryer)
- Metal foil tape (not duct tape)

Electrical System Requirements

NOTE Because of potentially inconsistent voltage capabilities, the use of this dryer with power created by gas powered generators, solar powered generators, wind powered generators or any other generator other than the local utility company is not recommended.

Electrical requirements for electric dryer

CIRCUIT - Individual 30 amp. branch circuit fused with 30 amp. time delay fuses or circuit breakers. Use separately fused circuits for washer and dryer. DO NOT operate a washer and a dryer on the same circuit.

POWER SUPPLY - 3-wire or 4-wire, 240 volt, single phase, 60 Hz, Alternating Current.

IMPORTANT This dryer is internally grounded to neutral unless it was manufactured for sale in Canada.

Only a 4-conductor cord shall be used when the appliance is installed in a location where grounding through the neutral conductor is prohibited. Grounding through the neutral link is prohibited for: (1) new branch circuit installations, (2) mobile homes, (3) recreational vehicles, and (4) areas where local codes do not permit grounding through the neutral.

OUTLET RECEPTACLE - NEMA 10-30R or NEMA 14-30R receptacle to be located so the power supply cord is accessible when the dryer is in the installed position.

GROUNDING CONNECTION - See "Grounding requirements" in Electrical Installation section.

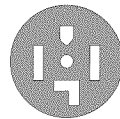
3-WIRE POWER SUPPLY CORD KIT (not supplied)



**3-wire receptacle
(NEMA type 10-30R)**

The dryer MUST employ a 3-conductor power supply cord NEMA 10-30 type SRDT rated at 240 volt AC minimum, 30 amp, with 3 open end spade lug connectors with upturned ends or closed loop connectors and marked for use with clothes dryers. For 3-wire cord connection instructions see ELECTRICAL CONNECTIONS FOR A 3-WIRE SYSTEM.

4-WIRE POWER SUPPLY CORD KIT (not supplied)



**4-wire receptacle
(NEMA type 14-30R)**

The dryer MUST employ a 4-conductor power supply cord NEMA 14-30 type SRDT or ST (as required) rated at 240 volt AC minimum, 30 amp, with 4 open end spade lug connectors with upturned ends or closed loop connectors and marked for use with clothes dryers. For 4-wire cord connection instructions see ELECTRICAL CONNECTIONS FOR A 4-WIRE SYSTEM.

NOTE Dryers manufactured for sale in Canada have factory-installed, 4-wire power supply cord (NEMA 14-30R).

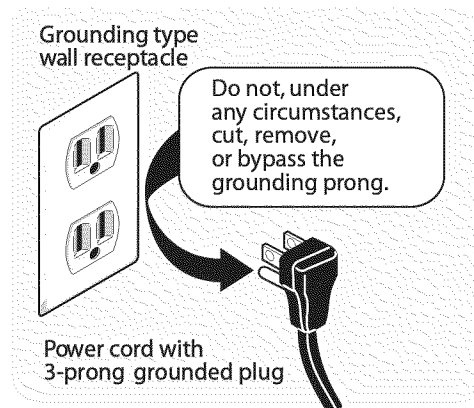
Electrical requirements for gas dryer

CIRCUIT - Individual, properly polarized and grounded 15 amp. branch circuit fused with 15 amp. time delay fuse or circuit breaker.

POWER SUPPLY - 2-wire, with ground, 120 volt, single phase, 60 Hz, Alternating Current.

POWER SUPPLY CORD - The dryer is equipped with a 120 volt 3-wire power cord.

GROUNDING CONNECTION - See "Grounding requirements" in Electrical Installation section.



Gas supply requirements

⚠ WARNING - EXPLOSION HAZARD - Uncoated copper tubing will corrode when subjected to natural gas, causing gas leaks. Use ONLY black iron, stainless steel, or plastic-coated brass piping for gas supply.

1. Installation MUST conform with local codes, or in the absence of local codes, with the National Fuel Gas Code, ANSI Z223.1 (latest edition).
2. The gas supply line should be 1/2 inch (1.27 cm) pipe.
3. If codes allow, flexible metal tubing may be used to connect your dryer to the gas supply line. The tubing MUST be constructed of stainless steel or plastic-coated brass.
4. The gas supply line MUST have an individual shutoff valve.
5. A 1/8 inch (0.32 cm) N.P.T. plugged tapping, accessible for test gauge connection, MUST be installed immediately upstream of the gas supply connection to the dryer.
6. The dryer MUST be disconnected from the gas supply piping system during any pressure testing of the gas supply piping system at test pressures in excess of 1/2 psig (3.45 kPa).
7. The dryer MUST be isolated from the gas supply piping system during any pressure testing of the gas supply piping system at test pressures equal to or less than 1/2 psig (3.45 kPa).
8. Connections for the gas supply must comply with the Standard for *Connectors for Gas Appliances*, ANSI Z21.24.

Exhaust system requirements

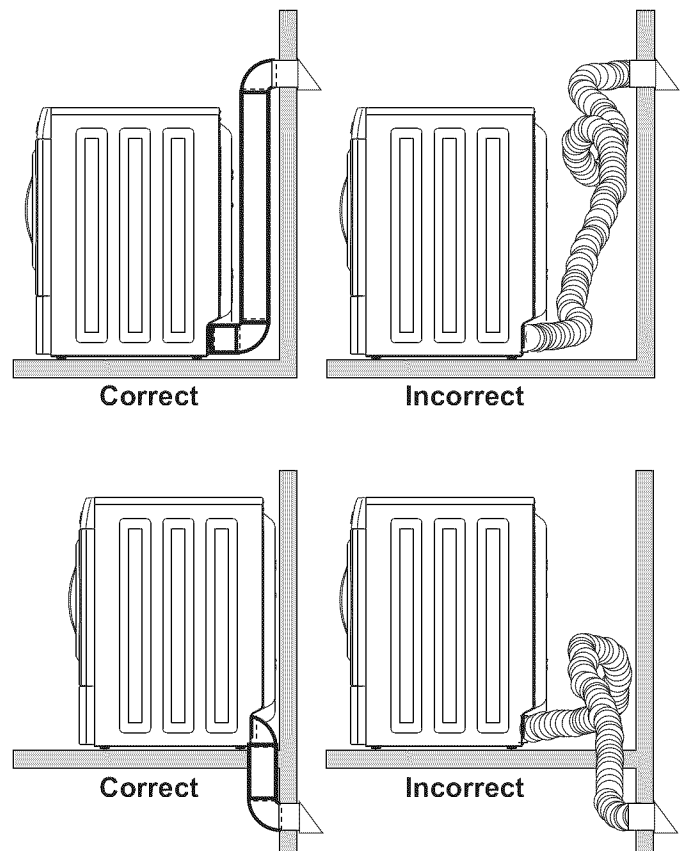
Use only 4 inch (10.2 cm) diameter (minimum) rigid or flexible metal duct and approved vent hood which has a swing-out damper(s) that open when the dryer is in operation. When the dryer stops, the dampers automatically close to prevent drafts and the entrance of insects and rodents. To avoid restricting the outlet, maintain a minimum of 12 inches (30.5 cm) clearance between the vent hood and the ground or any other obstruction.

⚠ WARNING - FIRE HAZARD - Failure to follow these instructions can create excessive drying times and fire hazards.

The following are specific requirements for proper and safe operation of your dryer.

⚠ WARNING - FIRE HAZARD - Do not install a clothes dryer with flexible plastic or metal foil venting materials. Flexible venting materials are known to collapse, be easily crushed and trap lint. These conditions will obstruct clothes dryer airflow and increase the risk of fire.

If your present system is made up of plastic duct or metal foil duct, replace it with a rigid or semi-rigid metal duct. Also, ensure the present duct is free of any lint prior to installing dryer duct.



Exhaust system requirements, continued

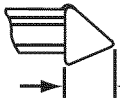
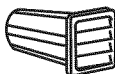
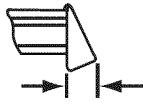
⚠ WARNING - FIRE HAZARD - A clothes dryer must be exhausted outdoors. Do not exhaust dryer into a chimney, a wall, a ceiling, an attic, a crawl space or any concealed space of a building. A clothes dryer produces combustible lint. If the dryer is not exhausted outdoors, some fine lint will be expelled into the laundry area. An accumulation of lint in any area of the home can create a health and fire hazard.

The dryer must be connected to an exhaust outdoors. Regularly inspect the outdoor exhaust opening and remove any accumulation of lint around the outdoor exhaust opening and in the surrounding area.

⚠ WARNING - FIRE HAZARD -

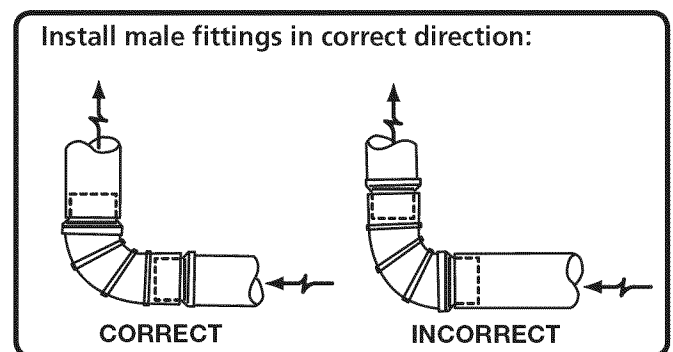
- Do not allow combustible materials (for example: clothing, draperies/curtains, paper) to come in contact with exhaust system. The dryer **MUST NOT** be exhausted into a chimney, a wall, a ceiling, or any concealed space of a building which can accumulate lint, resulting in a fire hazard.
- Do not screen the exhaust ends of the vent system, or use any screws, rivets or other fasteners that extend into the duct to assemble the exhaust system. Lint can become caught in the screen, on the screws or rivets, clogging the duct work and creating a fire hazard as well as increasing drying times. Use an approved vent hood to terminate the duct outdoors, and seal all joints with metal foil tape. All male duct pipe fittings **MUST** be installed downstream with the flow of air.

⚠ WARNING - FIRE HAZARD - Exceeding the length of duct pipe or number of elbows allowed in the "MAXIMUM LENGTH" charts can cause an accumulation of lint in the exhaust system. Plugging the system could create a fire hazard, as well as increase drying times.

Number of 90° turns	MAXIMUM LENGTH of 4" (10.2cm) Rigid Metal Duct	
	VENT HOOD TYPE	
	(Preferred)	
	 4" (10.2cm)	 louvered
	 2.5" (6.35cm)	
0	64 ft. (19.5 m)	48 ft. (14.6 m)
1	52 ft. (15.9 m)	40 ft. (12.2 m)
2	44 ft. (13.5 m)	32 ft. (9.8 m)
3	32 ft. (9.8 m)	24 ft. (7.3 m)
4	28 ft. (9.5 m)	16 ft. (4.9 m)

⚠ WARNING - FIRE HAZARD -

- Do not install flexible plastic or flexible foil venting material.
- If installing semi-rigid venting, do not exceed 8 ft. (2.4 m) duct length.



Exhaust system requirements, continued

In installations where the exhaust system is not described in the charts, the following method must be used to determine if the exhaust system is acceptable:

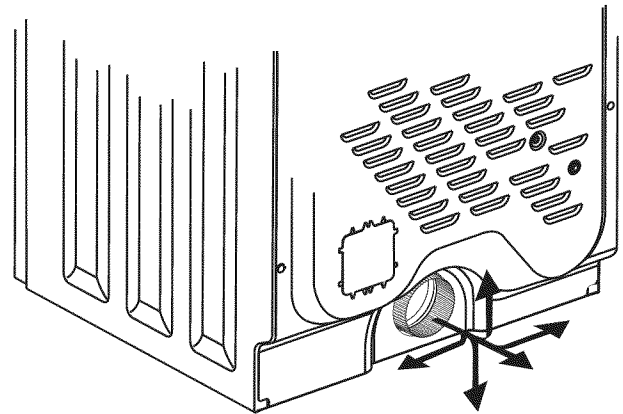
1. Connect an inclined or digital manometer between the dryer and the point the exhaust connects to the dryer.
2. Set the dryer timer and temperature to air fluff (cool down) and start the dryer.
3. Read the measurement on the manometer.
4. The system back pressure **MUST NOT** be higher than 0.75 inches of water column. If the system back pressure is less than 0.75 inches of water column, the system is acceptable. If the manometer reading is higher than .075 inches of water column, the system is too restrictive and the installation is unacceptable.

Although vertical orientation of the exhaust system is acceptable, certain extenuating circumstances could affect the performance of the dryer:

- Only the rigid metal duct work should be used.
- Venting vertically through a roof may expose the exhaust system to down drafts causing an increase in vent restriction.
- Running the exhaust system through an uninsulated area may cause condensation and faster accumulation of lint.
- Compression or crimping of the exhaust system will cause an increase in vent restriction.
- The exhaust system should be inspected and cleaned a minimum of every 18 months with normal usage. The more the dryer is used, the more often you should check the exhaust system and vent hood for proper operation.

Exhaust direction

Directional exhausting can be accomplished by installing a quick-turn 90° dryer vent elbow directly to exhaust outlet of dryer. Dryer vent elbows are available through your local parts distributor or hardware store.



See also CLEARANCE REQUIREMENTS on the next page.

NOTE Use of 90° quick-turn elbow required to meet minimum installation depth of free-standing dryer:

- Straight back venting allows for 0" (0 cm) installation.
- Venting right with 90° elbow allows for 0.75" (2 cm) installation.
- Venting downward with 90° elbow allows for 0.75" (2 cm) installation.
- Venting left with short, straight adapter and 90° elbow allows for 3.75" (9.5 cm) installation.
- Venting upward with short, straight adapter and 90° elbow allows for 4" (10.5 cm) installation.

Manufactured or mobile home installation

1. Installation **MUST** conform to current Manufactured Home Construction & Safety Standard, Title 24 CFR, Part 32-80 (formerly the Federal Standard for Mobile Home Construction and Safety, Title 24, HUD Part 280) or Standard CAN/CSAZ240 MH.
2. Dryer **MUST** be exhausted outside (outdoors, not beneath the mobile home) using metal ducting that will not support combustion. Metal ducting must be 4 inches (10.16 cm) in diameter with no obstructions. Rigid metal duct is preferred.
3. If dryer is exhausted through the floor and area beneath the mobile home is enclosed, the exhaust system **MUST** terminate outside the enclosure with the termination securely fastened to the mobile home structure.
4. Refer to previous sections in this guide for other important exhaust venting system requirements.
5. When installing a gas dryer into a mobile home, a provision must be made for outside make up air. This provision is to be not less than twice the area of the dryer exhaust outlet.
6. Installer **MUST** anchor this (1) dryer or (2) dryer mounted on pedestal to the floor with approved Mobile Home Installation Kit - P/N 137067200.

Clearance requirements

⚠ WARNING - EXPLOSION HAZARD - Do not install the dryer where gasoline or other flammables are kept or stored. If the dryer is installed in a garage, it must be a minimum of 18 inches (45.7 cm) above the floor. Failure to do so can result in death, explosion, fire or burns.

IMPORTANT DO NOT INSTALL YOUR DRYER:

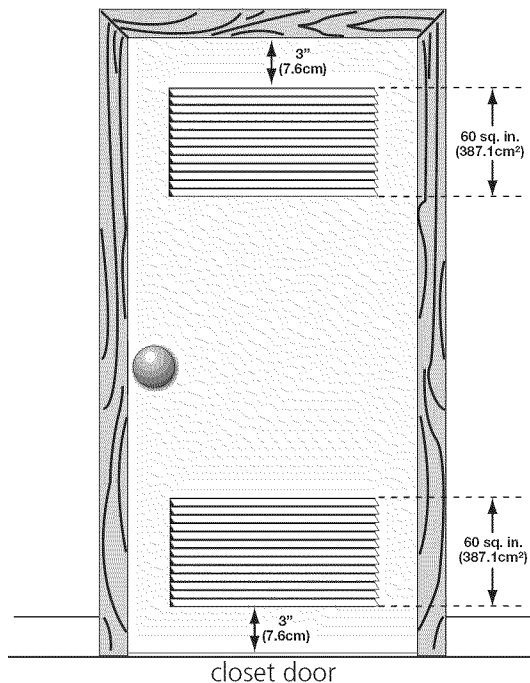
1. In an area exposed to dripping water or outside weather conditions.
2. In an area where it will come in contact with curtains, drapes, or anything that will obstruct the flow of combustion and ventilation air.
3. On carpet. Floor **MUST** be solid with a maximum slope of 1 inch (2.54 cm).

INSTALLATION IN A RECESS OR CLOSET

1. A dryer installed in a bedroom, bathroom, recess or closet, **MUST** be exhausted outdoors.
2. No other fuel burning appliance shall be installed in the same closet as the gas dryer.
3. Your dryer needs the space around it for proper ventilation.

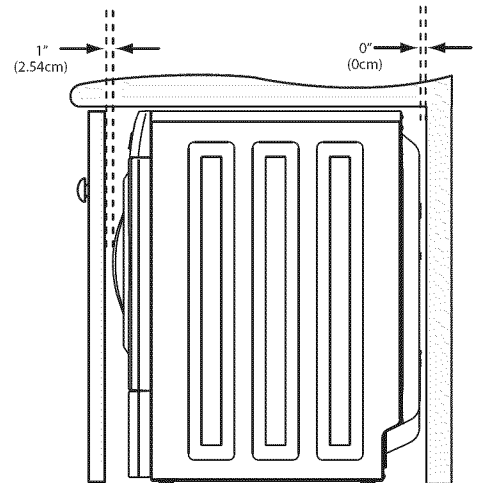
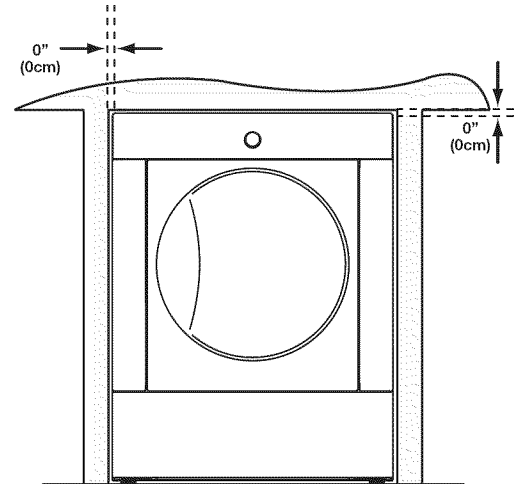
DO NOT install your dryer in a closet with a solid door.

4. Closet door ventilation required: A minimum of 120 square inches (774.2 cm²) of opening, equally divided at the top and bottom of the door, is required. Openings should be located 3 inches (7.6 cm) from bottom and top of door. Openings are required to be unobstructed when a door is installed. A louvered door with equivalent air openings for the full length of the door is acceptable.



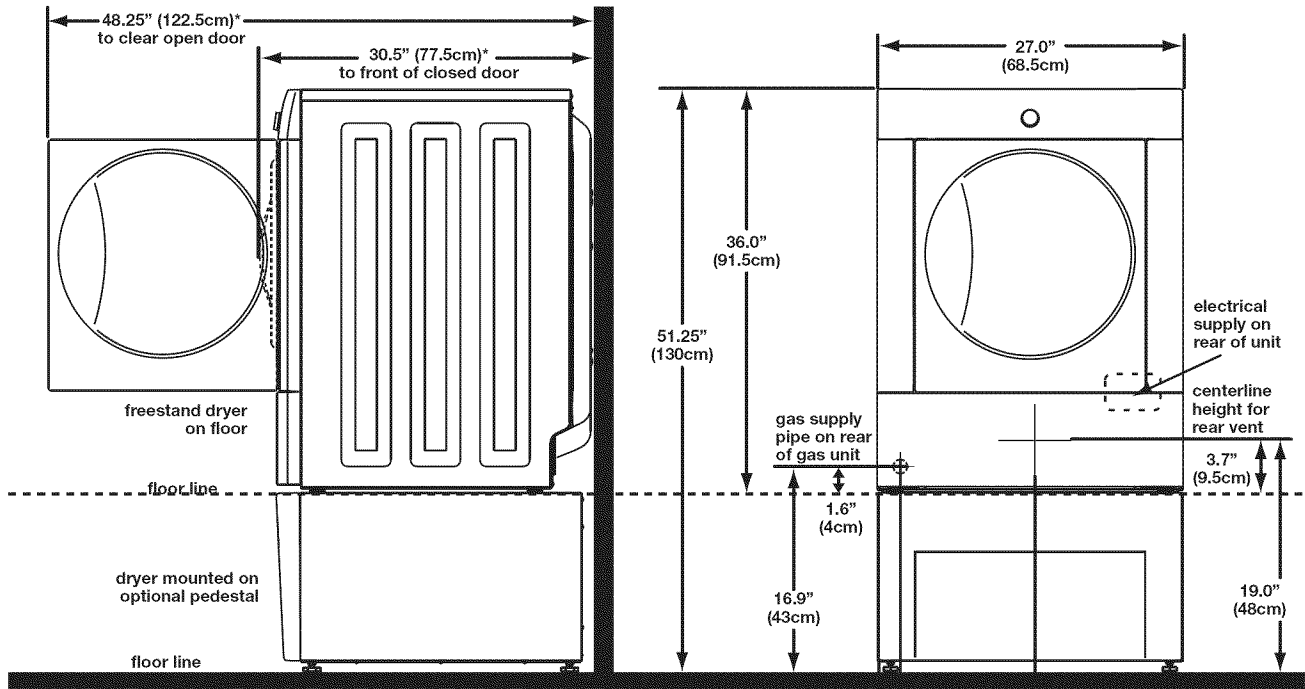
MINIMUM INSTALLATION CLEARANCES - Inches (cm)				
	SIDES	REAR	TOP	FRONT
Alcove	0" (0 cm)	0" (0 cm)*	0" (0 cm)	n/a
Under-Counter	0" (0 cm)	0" (0 cm)*	0" (0 cm)	1" (2.5 cm)
Closet	0" (0 cm)	0" (0 cm)*	0" (0 cm)	1" (2.5 cm)

* For other than straight back venting, a quick-turn 90° dryer vent elbow (vented right or down in free-standing dryer or right on pedestal-mounted dryer) must be installed to achieve 0" (0 cm) installation.



NOTE To achieve an installation with 0" (0 cm) clearance for the back of the dryer (for other than straight back venting), a quick-turn 90° dryer vent elbow must be installed as described previously in this manual.

Installed dryer dimensions

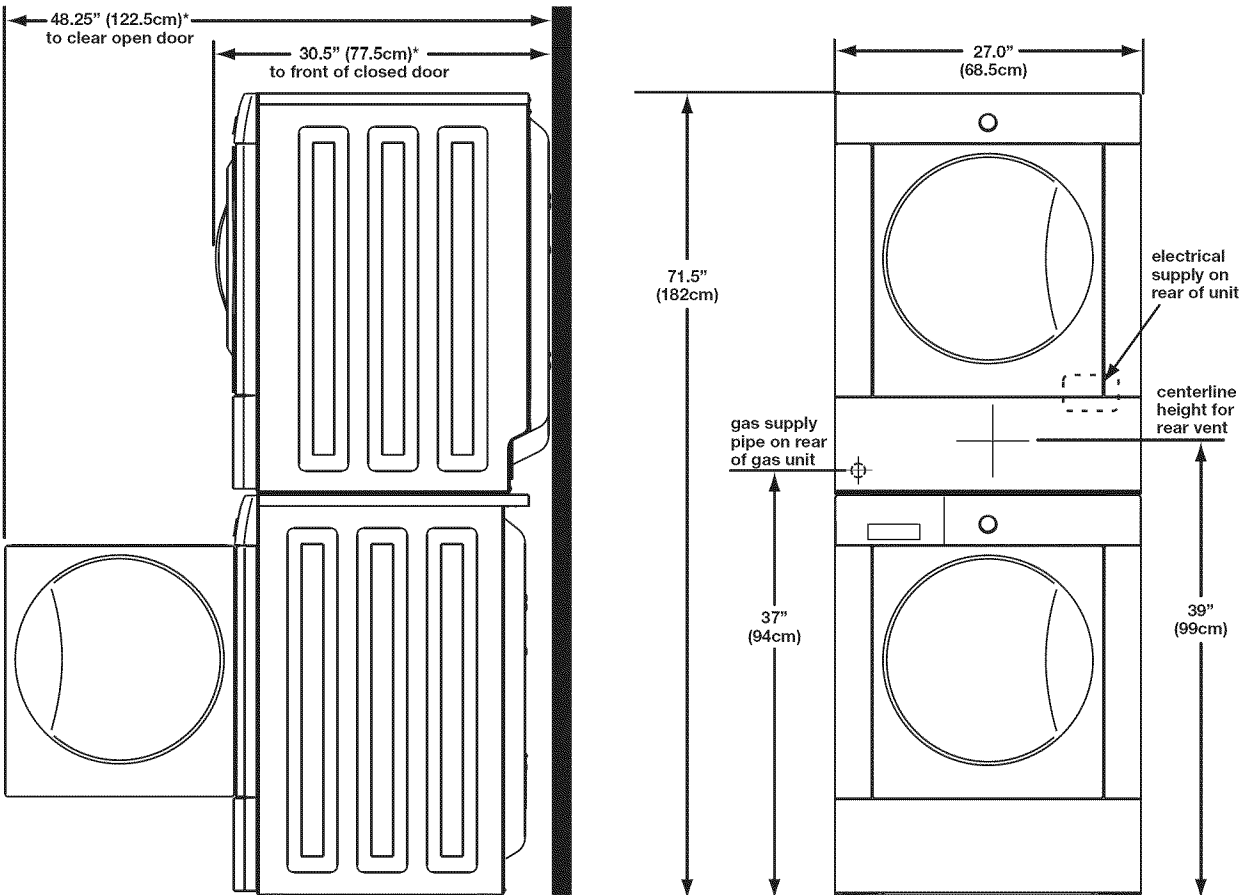


* To obtain these minimal depth dimensions, dryer must be vented straight back. Using a quick-turn 90° elbow (right or down on freestanding dryer) adds approximately 0.75 in. (2.0 cm) to installation depth. Upward venting of exhaust on pedestal-mounted or freestanding dryer adds approximately 4 in. (10.2 cm) to installation depth. Leftward venting on pedestal-mounted or freestanding dryer adds approximately 3.75 in. (9.5 cm) to installation depth. Downward venting of exhaust on pedestal-mounted dryer adds approximately 2.25 in. (5.7 cm) to installation depth.

3.75"
(9.5cm)

13.50"
(34.5cm)

to center of rear vent



* To obtain these minimal depth dimensions, dryer must be vented straight back. Using a quick-turn 90° elbow (right) adds approximately 0.75 in. (2 cm) to installation depth. Upward venting of exhaust on stacked dryer adds approximately 4 in. (10.2 cm) to installation depth. Downward venting of exhaust on stacked dryer adds approximately 2.25 in. (6.5 cm) to installation depth. Leftward venting of exhaust on stacked dryer adds approximately 3.75 in. (9.5 cm) to installation depth.

Electrical installation

The following are specific requirements for proper and safe electrical installation of your dryer. Failure to follow these instructions can create electrical shock and/or a fire hazard.

⚠ WARNING - ELECTRICAL SHOCK HAZARD -

- This appliance **MUST** be properly grounded. Electrical shock can result if the dryer is not properly grounded. Follow the instructions in this manual for proper grounding.
- Do not use an extension cord with this dryer. Some extension cords are not designed to withstand the amounts of electrical current this dryer utilizes and can melt, creating electrical shock and/or fire hazard. Locate the dryer within reach of the receptacle for the length power cord to be purchased, allowing some slack in the cord. Refer to the pre-installation requirements in this manual for the proper power cord to be purchased.

⚠ WARNING - ELECTRICAL SHOCK HAZARD -

- A U.L.-approved strain relief must be installed onto power cord. If the strain relief is not attached, the cord can be pulled out of the dryer and can be cut by any movement of the cord, resulting in electrical shock.
- Do not use an aluminum wired receptacle with a copper wired power cord and plug (or vice versa). A chemical reaction occurs between copper and aluminum and can cause electrical shorts. The proper wiring and receptacle is a copper wired power cord with a copper wired receptacle.

NOTE Dryers operating on 208 volt power supply will have longer drying times than dryers operating on 240 volt power supply.

Grounding requirements - Electric dryer (USA)

⚠ WARNING - ELECTRICAL SHOCK HAZARD - Improper connection of the equipment grounding conductor can result in a risk of electrical shock. Check with a licensed electrician if you are in doubt as to whether the appliance is properly grounded.

For a grounded, cord-connected dryer:

1. The dryer **MUST** be grounded. In the event of a malfunction or breakdown, grounding will reduce the risk of electrical shock by a path of least resistance for electrical current.
2. After you purchase and install a 3 wire or 4 wire power supply cord having an equipment-grounding conductor and a grounding plug that matches your wiring system,

the plug **MUST** be plugged into an appropriate, copper wired receptacle that is properly installed and grounded in accordance with all local codes and ordinances. If in doubt, call a licensed electrician.

3. **DO NOT** modify the plug you've installed on this appliance. If it will not fit the outlet, have a proper outlet installed by a qualified electrician.

For a permanently connected dryer:

1. The dryer **MUST** be connected to a grounded metal, permanent wiring system; or an equipment grounding conductor must be run with the circuit conductors and connected to the equipment-grounding terminal or lead on the appliance.

Grounding requirements - Electric dryer (Canada)

⚠ WARNING - ELECTRICAL SHOCK HAZARD - Improper connection of the equipment grounding conductor can result in a risk of electrical shock. Check with a licensed electrician if you are in doubt as to whether the appliance is properly grounded.

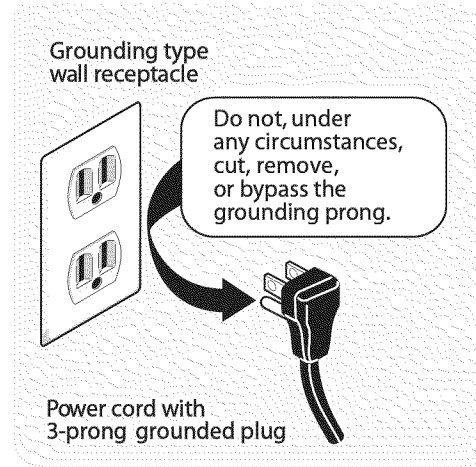
For a grounded, cord-connected dryer:

1. The dryer **MUST** be grounded. In the event of a malfunction or breakdown, grounding will reduce the risk of electrical shock by a path of least resistance for electrical current.

2. Since your dryer is equipped with a power supply cord having an equipment-grounding conductor and a grounding plug, the plug must be plugged into an appropriate outlet that is properly installed and grounded in accordance with all local codes and ordinances. If in doubt, call a licensed electrician.
3. **DO NOT** modify the plug provided with this appliance. If it will not fit the outlet, have a proper outlet installed by a qualified electrician.

Grounding requirements - Gas dryer (USA and Canada)

1. The dryer is equipped with a three-prong (grounding) plug for your protection against shock hazard and should be plugged directly into a properly grounded three-prong receptacle.
2. The plug must be plugged into an appropriate outlet that is properly installed and grounded in accordance with all local codes and ordinances. If in doubt, call a licensed electrician.
3. DO NOT modify the plug provided with this appliance. If it will not fit the outlet, have a proper outlet installed by a qualified electrician.

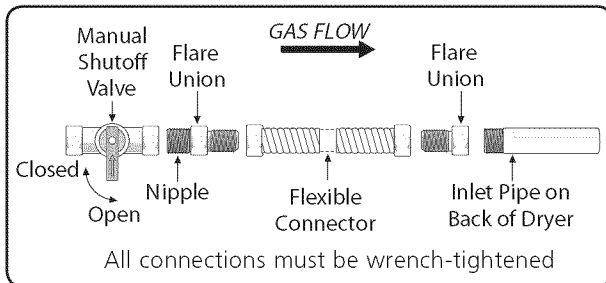


Gas connection

1. Remove the shipping cap from gas pipe at the rear of the dryer.

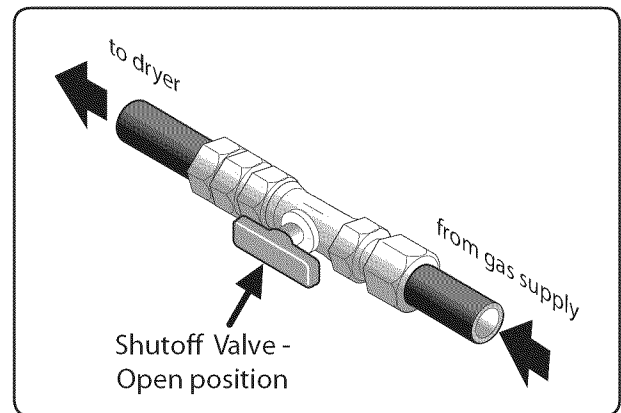
IMPORTANT DO NOT connect the dryer to L.P. gas service without converting the gas valve. An L.P. conversion kit must be installed by a qualified gas technician.

2. Connect a 1/2 inch (1.27 cm) I.D. semi-rigid or approved pipe from gas supply line to the 3/8 inch (0.96 cm) pipe located on the back of the dryer. Use a 1/2 inch to 3/8 inch (1.27 cm to 0.96 cm) reducer for the connection. Apply an approved thread sealer that is resistant to the corrosive action of liquefied gases on all pipe connections.



IMPORTANT The supply line must be equipped with an approved manual shutoff valve. This valve should be located in the same room as the dryer and should be in a location that allows ease of opening and closing. Do not block access to the gas shutoff valve.

3. Open the shutoff valve in the gas supply line to allow gas to flow through the pipe. Wait a few minutes for gas to move through the gas line.



4. Check for gas system leaks with a manometer. If a manometer is not available, test all connections by brushing on a soapy water solution.

WARNING - EXPLOSION HAZARD - NEVER test for gas leaks with an open flame.

Electrical connection (non-Canada) - 3 wire cord



3-wire receptacle
(NEMA type 10-30R)

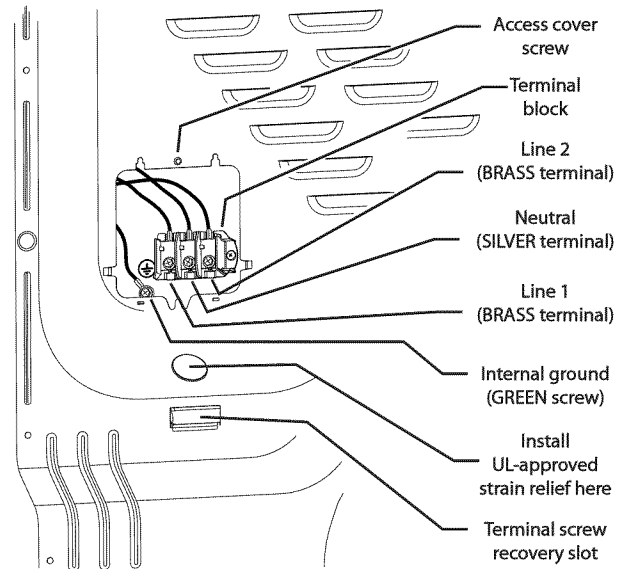
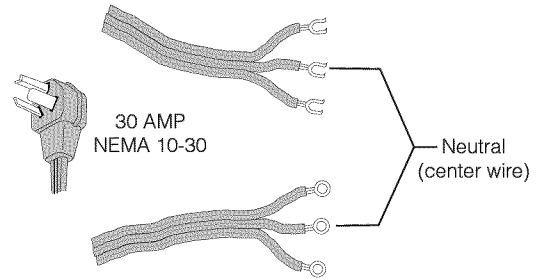
⚠ WARNING - ELECTRICAL SHOCK HAZARD - Failure to disconnect power source before servicing could result in personal injury or even death.

1. Turn off power supply to outlet.
2. Remove the screw securing the terminal block access cover in the lower corner on the back of the dryer.
3. Install a UL-approved strain relief according to the power cord/strain relief manufacturer's instructions in the power cord entry hole below the access panel. At this time, the strain relief should be loosely in place.
4. Thread an UNPLUGGED, UL-approved, 30 amp. power cord, NEMA 10-30 type SRDT, through the strain relief.
5. Attach the power cord neutral (center wire) conductor to the SILVER colored center terminal on the terminal block. Tighten the screw securely.
6. Attach the remaining two power cord outer conductors to the outer, BRASS colored terminals on the terminal block. Tighten both screws securely.

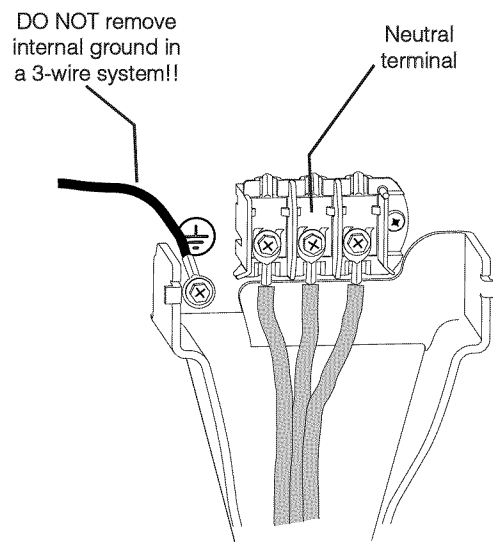
⚠ WARNING - ELECTRICAL SHOCK HAZARD - Do not make a sharp bend or crimp wiring/conductor at connections.

7. Follow manufacturer's guidelines for firmly securing the strain relief and power cord.
8. Reinstall the terminal block cover.

IMPORTANT If moving dryer from a 4-wire system and installing it in a 3-wire system, move the internal ground from the center terminal back to the GREEN screw next to the terminal block.



NOTE If a terminal screw falls during cord installation, it can be retrieved in the terminal screw recovery slot below the access panel.



Electrical connection (non-Canada) - 4 wire cord



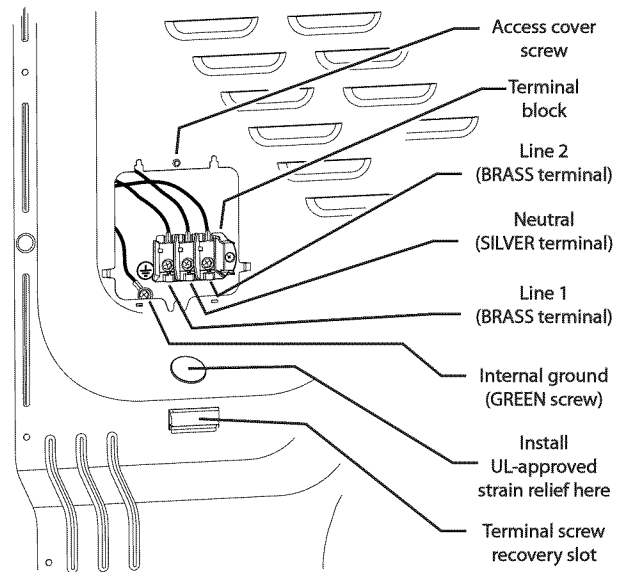
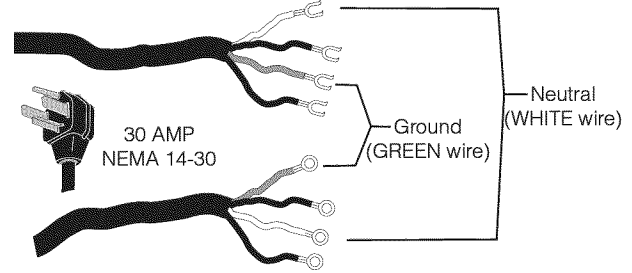
4-wire receptacle
(NEMA type 14-30R)

⚠ WARNING - *ELECTRICAL SHOCK HAZARD* - Failure to disconnect power source before servicing could result in personal injury or even death.

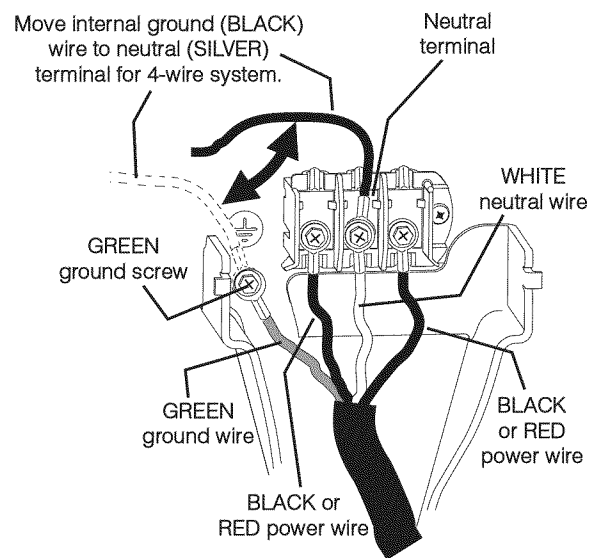
1. Turn off power supply to outlet.
2. Remove the screw securing the terminal block access cover in the lower corner on the back of the dryer.
3. Install a UL-approved strain relief according to the power cord/strain relief manufacturer's instructions in the power cord entry hole below the access panel. At this time, the strain relief should be loosely in place.
4. Thread an UNPLUGGED, UL-approved, 30 amp. power cord, NEMA 14-30 type ST or SRDT, through the strain relief.
5. Disconnect the internal (BLACK) dryer harness ground wire from the (GREEN) ground screw next to the terminal block.
6. Attach the ground (GREEN) power cord wire to the cabinet with the ground (GREEN) screw. Tighten the screw securely.
7. Move the internal dryer harness ground (BLACK) wire to the terminal block and attach it along with the neutral (WHITE) power cord wire conductor to the center, SILVER colored terminal on the terminal block. Tighten the screw securely.
8. Attach the RED and BLACK power cord conductors to the outer, BRASS colored terminals on the terminal block. Tighten both screws securely.

⚠ WARNING - *ELECTRICAL SHOCK HAZARD* - Do not make a sharp bend or crimp wiring/conductor at connections.

9. Follow manufacturer's guidelines for firmly securing the strain relief and power cord.
10. Reinstall the terminal block cover.

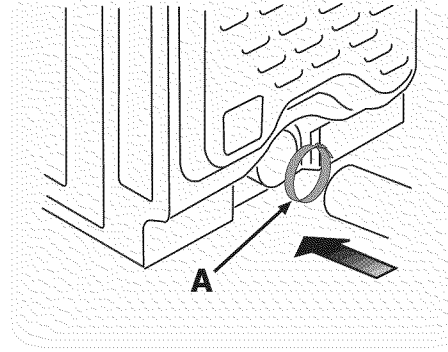


NOTE If a terminal screw falls during cord installation, it can be retrieved in the terminal screw recovery slot below the access panel.



General installation

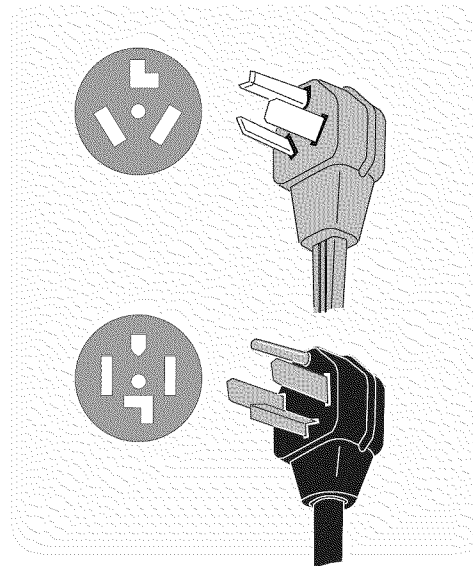
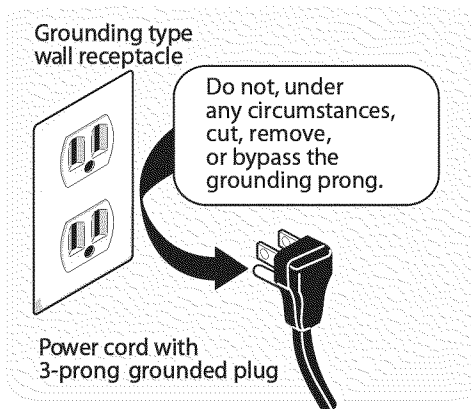
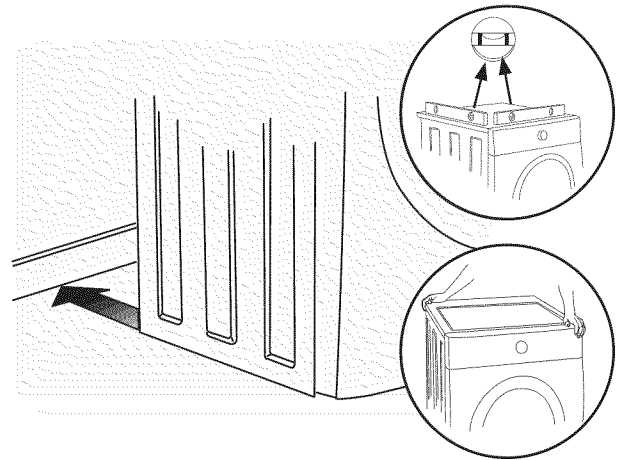
1. Connect the exhaust duct to the outside exhaust system (see pages 4 through 6). Use of a 4" (10.2 cm) clamp (item A) is recommended to connect the dryer to the exhaust vent system. Use metal foil tape to seal all other joints.
2. Carefully slide the dryer to its final position. Adjust one or more of the legs until the dryer is resting solidly on all four legs. Place a level on top of the dryer. The dryer **MUST** be level and resting solidly on all four legs. Rock alternating corners to check for stability. Remove and discard door tape.



IMPORTANT Be sure the power is off at a circuit breaker/fuse box before plugging the power cord into an outlet.

3. Plug the power cord into a grounded outlet.
4. Turn on the power at the circuit breaker/fuse box.
5. Read the *Use & Care Guide* provided with the dryer. It contains valuable and helpful information that will save you time and money.
6. If you have any questions during initial operation, please review the "Avoid Service Checklist" in your *Use & Care Guide* before calling for service.
7. Place these instructions in a location near the dryer for future reference.

NOTE A wiring diagram and technical data sheet are located inside the dryer console.



Window Door Reversal Instructions

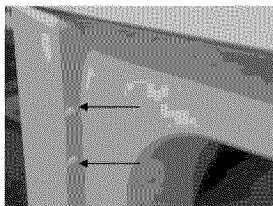


Figure 1

1. Open door and remove four (4) plugs in the door opening opposite the hinges. Retain all parts for uses later, unless otherwise noted. (Figure 1) **Note:** Use care in removing plugs in not scratching paint on the front panel.

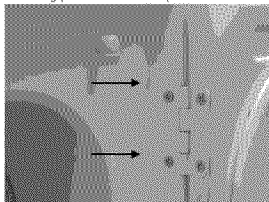


Figure 2

2. Begin removing the four (4) screws that attach the hinge to the front panel. (Figure 2) For best results, start by only removing one screw per hinge. Then only loosen the two remaining screws while firmly holding door to prevent damage to hinge, front panel or door. After the remaining screws are loosened, continue to remove all.

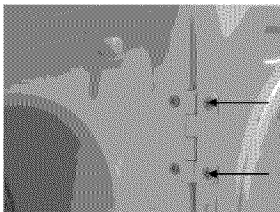


Figure 3

3. Place door on a towel or pad handle side down to prevent any possible scratches to door. Remove all remaining four (4) screws between hinge and door. (Figure 3)

4. Remove four (4) screws from side of door opposite of where hinge was mounted.

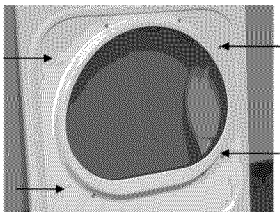


Figure 4

5. Remove two (2) door handle screws and two (2) hole plugs from door. Again taking care not to scratch paint on door. (Figure 4)



Figure 5

6. Pull handle away from door assembly. (Figure 5)

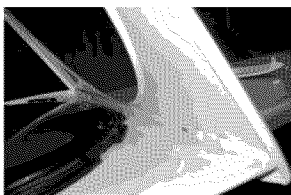


Figure 6

7. Separate the outer door from the inner door assembly with a putty knife or flat screw driver. (Figure 6)

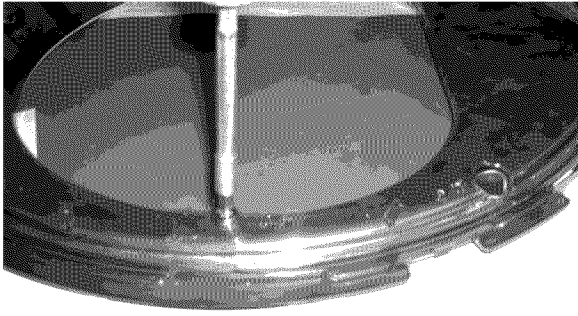


Figure 7

8. Remove lens locating screw. (Figure 7)

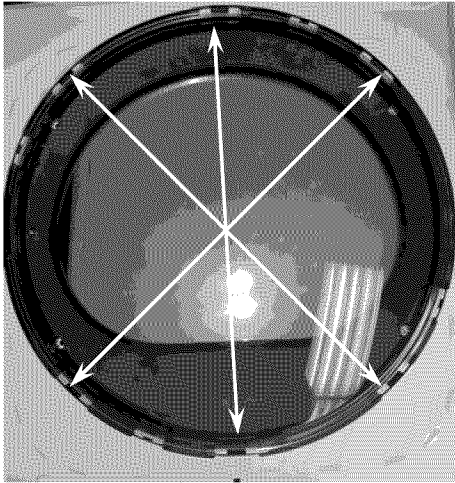


Figure 8

9. Disengaging several of the retention tabs and pull lens away from the transition ring. (Figure 8)

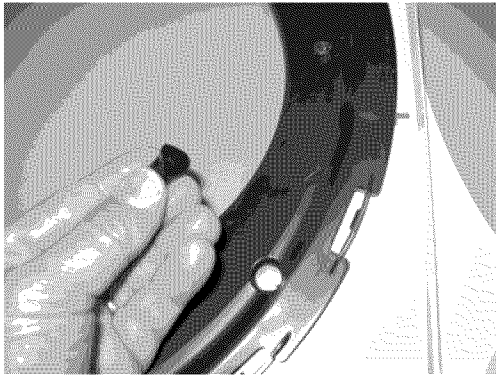


Figure 9

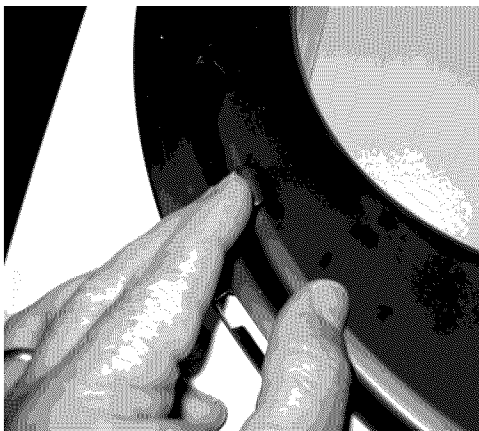


Figure 10

10. Remove two (2) transition ring plugs and reinstall on previous handle side. (Figures 9 and 10)

11. Reassemble lens to transition ring with holes to install handle on right-hand side of door assembly. For proper fit insure the retention tabs on transition ring are on top of lens

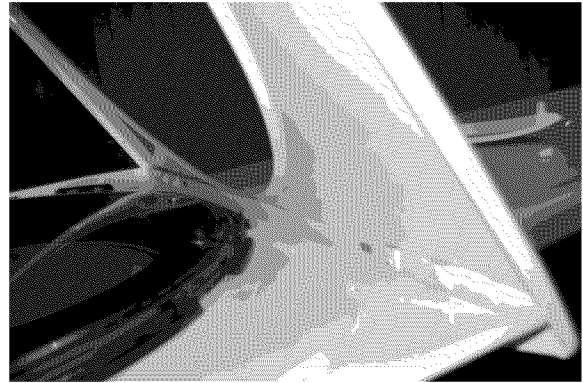


Figure 11

12. Reassembly outer door to inner door assembly. (Figure 11)

13. Install four (4) screws securing hinge to door assembly in the new location, take note to place hinge in correct orientation.

14. Install four (4) screws into holes that had secured the hinge.

15. Remove striker and discard.

16. Remove square plug and reinstall in hole striker was just removed.

17. Install striker (included in literature bag) into hole square plug was previously installed.

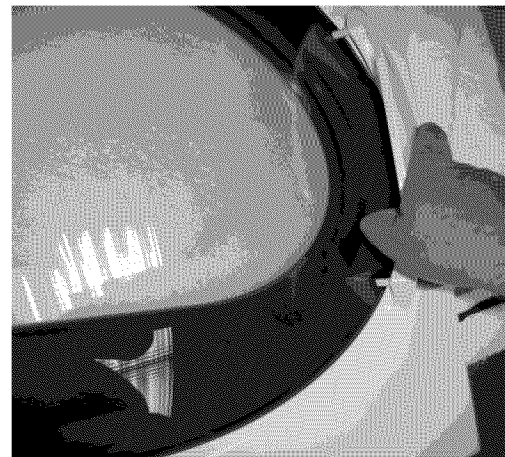


Figure 12

18. Reinstall door handle by placing the handle mounting bosses through holes in lens and transition ring and installing screws through inner door and tighten into handle bosses. (Figure 12).

19. Grasping firmly the top of the door, position the door near the door opening and align the top hinge hole to the top hole in the front panel door opening. Once the first screw is started, attach the second screw to the lower hinge. Once both screws are tightened, install the remaining two screws.

20. Install four (4) plugs into the front panel door opening where hinges were originally installed.

Accessories

MATCHING STORAGE PEDESTAL*

White Pedestal - P/N NLPWD15 or 48062

Black Pedestal - P/N NLPWD15E or 48066

Silver Pedestal - P/N NLPWD15A or 46267

*Other colors may be available. Contact the source where you purchased your dryer.

A storage pedestal accessory, specifically designed for this dryer may be used to elevate the dryer for ease of use. This pedestal will add about 15" (38 cm) to the height of your unit for a total height of 51.25" (130 cm).

DRYER STACKING KIT

P/N 134700600

Depending on the model you purchased, a kit for stacking this dryer on top of matching washer may have been included in the initial purchase of your dryer. If your model did not include a stacking kit or you desire another stacking kit, you may order one

LP CONVERSION KIT

P/N PCK4200

Gas dryers intended for use in a location supplied with LP must use a conversion kit prior to installation.

MOBILE HOME INSTALLATION KIT

P/N 137067200

Installations in mobile homes require use of MOBILE HOME INSTALLATION KIT.

DRYING RACK

P/N 137067300

Depending on the model you purchased, a drying rack may have been included in the initial purchase of your dryer. If your model did not include a drying rack or you desire another drying rack, you may order one.

UNIVERSAL APPLIANCE WRENCH

P/N 137019200

A UNIVERSAL APPLIANCE WRENCH is available to aid in dryer/washer/pedestal feet adjustment.

TOUCH UP PAINT PENS*

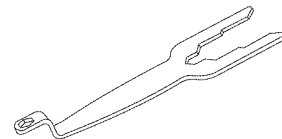
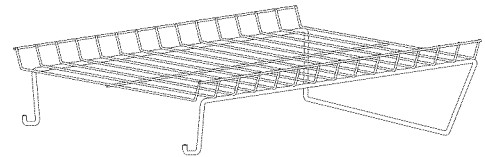
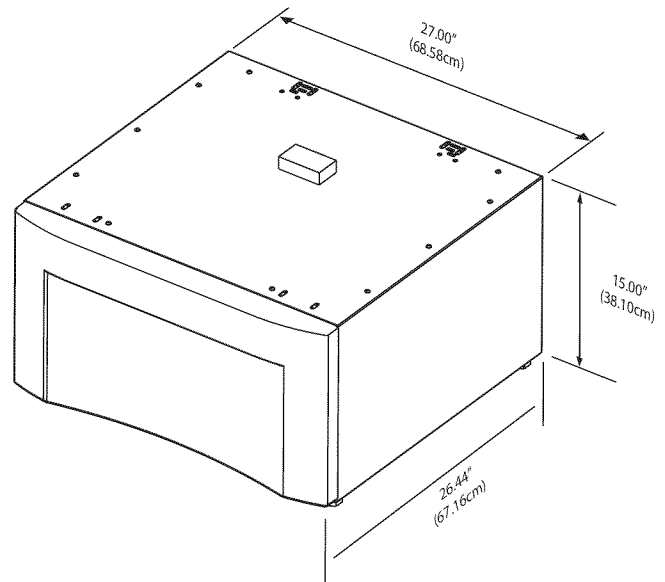
White Touch Up Pen - P/N 5303321319

Black Touch Up Pen - P/N 5304458932

Silver Touch Up Pen - P/N 5304471228

*Other colors may be available. Contact the source where you purchased your dryer.

⚠ CAUTION Failure to use accessories manufactured by (or approved by) the manufacturer could result in personal injury, property damage or damage to the dryer.



Replacement parts:

If replacements parts are needed for your washer, contact the source where you purchased your dryer.

⚠ WARNING - **ELECTRICAL SHOCK HAZARD** - Label all wires prior to disconnection when servicing controls. Wiring errors can cause improper and dangerous operation. Verify proper operation after servicing.

Índice

Instrucciones importantes de seguridad.....	17	Instrucciones de instalación.....	24-28
Requisitos de preinstalación	17	Inversión de la puerta.....	29-30
Requisitos de instalación	18-22	Accesorios/Piezas de repuesto	31
Dimensiones de la lavadora instalada	23		

Instrucciones importantes de seguridad

⚠ ADVERTENCIA Para su seguridad, debe seguir la información de esta guía para minimizar el riesgo de incendio o explosión o para evitar daños a la propiedad, lesiones personales o incluso la muerte. No almacene ni utilice gasolina ni otros líquidos o vapores inflamables cerca de este o de cualquier otro electrodoméstico.

Identificación de los símbolos, palabras y avisos de seguridad

Las indicaciones de seguridad incluidas en este manual aparecen precedidas de un aviso titulado "ADVERTENCIA" o "PRECAUCIÓN", de acuerdo con el nivel de riesgo.

⚠ ADVERTENCIA Este símbolo le advierte sobre situaciones que pueden causar lesiones personales graves, la muerte o daños materiales.

⚠ PRECAUCIÓN Este símbolo le advierte sobre situaciones que pueden causar lesiones personales o daños materiales.

⚠ ADVERTENCIA - **PELIGRO DE INCENDIO** - Lea las siguientes instrucciones antes de instalar y utilizar este electrodoméstico:

- Después de desembalar la secadora, destruya los cartones y las bolsas de plástico. Los niños podrían utilizarlos para jugar. Los cartones cubiertos con alfombras, cubrecamas, o láminas de plástico pueden convertirse en cámaras de aire herméticamente cerradas y provocar asfixia. Coloque todos los materiales en un basurero o manténgalos fuera del alcance de los niños.
- La instalación y el servicio de la secadora de ropa deben ser llevados a cabo por un instalador calificado, agencia de servicios o proveedor de gas.
- Instale la secadora de ropa de acuerdo con las instrucciones del fabricante y los códigos locales.
- La reparación eléctrica de la secadora debe cumplir con los códigos y las ordenanzas locales y la última edición del Código Eléctrico Nacional (National Electrical Code), el ANSI/NFPA 70, o bien en Canadá, el CSA C22.1 del Código Eléctrico de Canadá (Canadian Electrical Code) Parte 1.
- El servicio de gas de la secadora debe cumplir con los códigos y las ordenanzas locales, y la última edición del Código de Gas Nacional (National Fuel Gas Code), el ANSI Z223.1, o bien en Canadá, el CAN/CGA B149,1-2000.
- La secadora se diseñó conforme a los códigos ANSI Z 21.5.1 o ANSI/UL 2158 - CAN/CSA C22.2 N.º 112 (últimas ediciones) solo para USO DOMÉSTICO. No se recomienda esta secadora para uso comercial, como por ejemplo, en restaurantes, salones de belleza, etc.
- No utilice materiales de ventilación de plástico ni de papel de aluminio flexibles para instalar la secadora de ropa. Por lo general, dichos materiales se desarman, se deterioran con facilidad y acumulan pelusa. Estas condiciones obstruyen el flujo de aire de la secadora y aumentan el riesgo de incendio.
- Las instrucciones de esta guía y todo el material que se incluye con esta secadora no tienen como propósito cubrir todas las condiciones y situaciones que puedan presentarse. Cuando instale, opere o repare cualquier artefacto DEBE tener cuidado y hacer uso de buenas prácticas de seguridad.

QUÉ HACER SI SIENTE OLOR A GAS:

- No intente encender ningún electrodoméstico.
- No toque ningún interruptor eléctrico; no utilice ningún teléfono en la vivienda.
- Despeje la habitación, el edificio o el área de todos los ocupantes.
- Llame inmediatamente a su proveedor de gas desde el teléfono de un vecino. Siga las instrucciones del proveedor de gas.
- Si no puede ponerse en contacto con el proveedor de gas, llame a los bomberos.

Conserve estas instrucciones para referencia futura.

Requisitos de preinstalación

Herramientas y materiales necesarios para la instalación:

- Pinzas ajustables
- Destornilladores Philips con punta derecha y cuadrada
- Llave ajustable
- Llave para tubos de suministro de gas
- Cinta aislante resistente al gas LP (para suministro de gas natural o LP)
- Nivel de carpintero
- Capucha de ventilación externa
- Conducto de escape de metal rígido o semirígido de 4 pulgadas (10 cm)
- Kit de cables de alimentación trifilar o tetrafililar de 240 voltios (secadora eléctrica)
- Abrazadera de 4" (10,2 cm)
- Válvula de cierre de línea de gas (secadora a gas)
- Adaptadores NPI de unión acampanada (x2) y línea flexible de suministro de gas (secadora a gas) de ½' (15,2 cm)
- Cinta de papel aluminio (no cinta adhesiva aislante)

Requisitos del sistema eléctrico

NOTA Debido a posibles variaciones en el voltaje, no se recomienda utilizar esta secadora con electricidad generada a partir de generadores a gas, solares, eólicos ni de ninguna otra clase que no sean los empleados por su empresa de electricidad local.

Requisitos eléctricos de la secadora eléctrica:

CIRCUITO: circuito independiente individual de 30 amp. con fusibles de acción retardada o disyuntores. Use circuitos con fusibles separados para la lavadora y la secadora. NO haga funcionar una lavadora y una secadora en el mismo circuito.

SUMINISTRO ELÉCTRICO: trifilar o tetrafilar, 240 V, 1 fase, 60 Hz, corriente alterna.

IMPORTANTE A menos que haya sido fabricada para la venta en Canadá, esta secadora está conectada a tierra internamente a través de un enlace a un conductor neutro.

Sólo debe usar un cordón tetrafilar cuando el electrodoméstico se instale en un lugar donde se prohíba la puesta a tierra a través del conductor neutro. La conexión a tierra a través del neutro está prohibida para: (1) instalaciones de circuitos de bifurcación nuevos; (2) casas rodantes; (3) vehículos recreativos; y (4) áreas cuyas leyes locales no permiten la puesta a tierra a través del neutro.

RECEPTÁCULO DEL TOMACORRIENTE - receptáculo NEMA 10-30 R o NEMA 14-30 R que debe estar ubicado en un lugar al que pueda acceder el cable de alimentación eléctrica cuando la secadora esté instalada.

CONEXIÓN A TIERRA: consulte "Requisitos de conexión a tierra" en la sección Instalación eléctrica.

CABLE DE ALIMENTACIÓN ELÉCTRICA TRIFILAR (no incluido)



Receptáculo trifilar
(tipo NEMA 10-30R)

La secadora DEBE emplear un cable de alimentación eléctrica de 3 conductores tipo NEMA 10-30, SRDT calificado para CA mínima de 240 voltios, 30 amp., con 3 conectores de terminal horquilla con extremos doblados hacia arriba o de bucle cerrado y calificados para uso en secadoras de ropa. Para obtener instrucciones sobre la conexión trifilar, consulte CONEXIONES ELÉCTRICAS PARA UN SISTEMA TRIFILAR.

CABLE DE ALIMENTACIÓN ELÉCTRICA TETRAFILAR (no incluido)



Receptáculo tetrafilar
(tipo NEMA 14-30R)

La secadora DEBE emplear un cable de alimentación eléctrica de 4 conductores tipo NEMA 14-30, SRDT o ST (según se especifique) calificado para CA mínima de 240 voltios, 30 amp., con 4 conectores de terminal horquilla con extremos doblados hacia arriba o de bucle cerrado y calificados para uso en secadoras de ropa. Para obtener instrucciones sobre la conexión tetrafilar, consulte CONEXIONES ELÉCTRICAS PARA UN SISTEMA TETRAFILAR.

NOTA Las secadoras fabricadas para la venta en Canadá vienen con un cable de alimentación eléctrica tetrafilar (NEMA 14-30R) de fábrica.

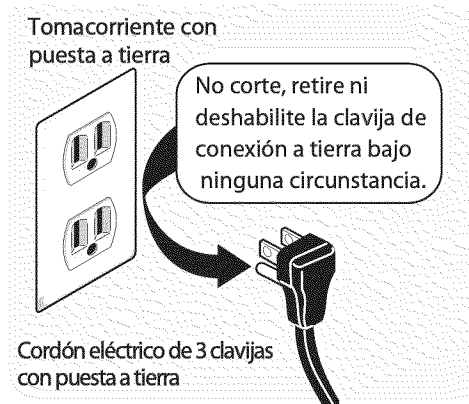
Requisitos eléctricos de la secadora a gas:

CIRCUITO - Circuito individual de bifurcación de 15 amp., correctamente polarizado y con conexión a tierra con fusible de retardo de 15 amp. o con interruptor automático.

SUMINISTRO ELÉCTRICO: corriente alterna de 2 cables, con conexión a tierra, 120 voltios, monofásica, 60 Hz.

CABLE DE ALIMENTACIÓN ELÉCTRICA: la secadora está equipada con un cable de alimentación trifilar de 120 voltios.

CONEXIÓN A TIERRA: consulte "Requisitos de conexión a tierra" en la sección Instalación eléctrica.



Requerimientos del suministro de gas

⚠ ADVERTENCIA - PELIGRO DE EXPLOSIÓN - Las tuberías de cobre sin recubrimiento se corroen al exponerse al gas natural, lo que provoca pérdidas de gas. Utilice **SOLAMENTE** tuberías de hierro negro, acero inoxidable o latón plastificado para el suministro de gas.

1. La instalación DEBE realizarse de acuerdo con los códigos locales o, en ausencia de ellos, con el Código de Gas Nacional (National Fuel Gas Code), ANSI Z223.1 (última edición).
2. La línea de suministro de gas debe ser un tubo de 1,27 cm (1/2 pulgada).
3. Si los códigos lo permiten, se puede utilizar un tubo de metal flexible para conectar la secadora a la línea de suministro de gas. La tubería DEBE ser de acero inoxidable o de latón plastificado.

4. La línea de suministro de gas DEBE tener una válvula de cierre individual.
5. Se DEBE instalar una derivación N.P.T de 0,32 cm (1/8 pulgadas) con tapón roscado, que permita conectar un medidor de prueba, inmediatamente después de la conexión de suministro de gas a la secadora, en contracorriente al flujo de gas.
6. La secadora DEBE estar desconectada de la tubería de gas durante cualquier prueba en la que la presión exceda los 3,45 kPa (1/2 psig).
7. La secadora DEBE estar aislada de la tubería de gas durante cualquier prueba en la que la presión sea igual o inferior a 3,45 kPa (1/2 psig).
8. Las conexiones del suministro de gas deben cumplir con la norma de conexiones de electrodomésticos a gas, ANSI Z21.24.

Requisitos del sistema de escape

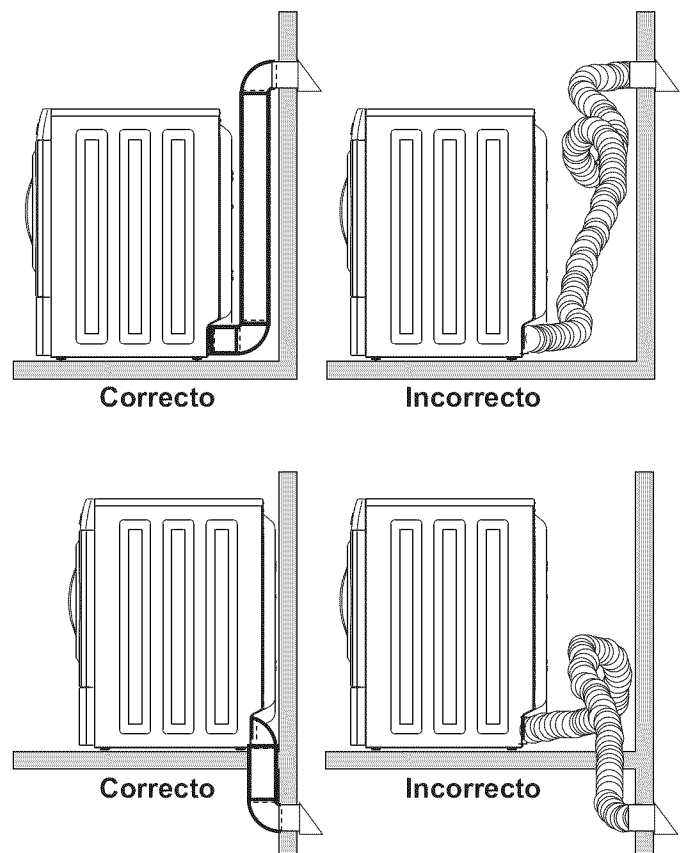
Utilice solo un conducto de metal flexible o rígido de 10,2 cm (4 pulgadas) de diámetro (mínimo) y una capucha de ventilación aprobada que tenga uno o más reguladores de tiro que se abran cuando la secadora esté en funcionamiento. Cuando la secadora se detiene, el regulador de tiro se cierra automáticamente para evitar la corriente de aire y el ingreso de insectos y roedores. Para evitar restringir la salida del conducto, mantenga un espacio mínimo de 30,5 cm (12 pulgadas) entre la capucha de ventilación y el suelo, o cualquier otra obstrucción.

⚠ ADVERTENCIA - PELIGRO DE INCENDIO - El no seguir estas instrucciones puede producir tiempos de secado excesivos y peligro de incendio.

Los siguientes son requisitos necesarios para el funcionamiento seguro y correcto de su secadora.

⚠ ADVERTENCIA - PELIGRO DE INCENDIO - No utilice materiales de ventilación de plástico ni de papel de aluminio flexibles para instalar la secadora de ropa. Por lo general, dichos materiales se desarmen, se deterioran con facilidad y acumulan pelusa. Estas condiciones obstruyen el flujo de aire de la secadora y aumentan el riesgo de incendio.

Si su sistema actual está compuesto de un conducto de plástico o papel de aluminio, reemplácelo por un conducto de metal rígido o semirígido. Asegúrese de que el conducto existente no tenga pelusas antes de instalar el conducto de la secadora.



Requisitos del sistema de escape (continuación)

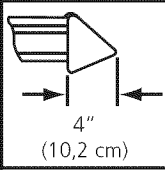
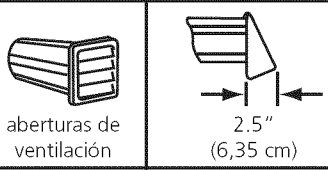
⚠ ADVERTENCIA - PELIGRO DE INCENDIO - Una secadora de ropa debe tener ventilación al exterior. No ventile la secadora a una chimenea, pared, techo, ático, pasajes entre pisos ni ningún espacio oculto de la vivienda. Las secadoras de ropa producen pelusa combustible. Si la secadora no tiene ventilación al exterior, algunas pelusas finas se expulsarán en el área de lavandería. La acumulación de pelusa en cualquier área de la vivienda puede constituir un peligro sanitario y un riesgo de incendio.

La secadora debe estar conectada a un sistema de escape que termine en el exterior de la vivienda. Inspeccione la abertura de escape al exterior con frecuencia y elimine cualquier acumulación de pelusa en la abertura y en el área que la rodea.

⚠ ADVERTENCIA - PELIGRO DE INCENDIO -

- No permita que materiales combustibles (por ejemplo: ropa, tapicería/cortinas, papel) entren en contacto con el sistema de escape. La secadora **NO DEBE** tener escape a una chimenea, una pared, un techo ni ningún espacio cerrado de un edificio que pueda acumular pelusa y constituir un peligro de incendio.
- No bloquee los extremos de escape del sistema de ventilación, ni utilice tornillos, remaches ni otros sujetadores que se extiendan hacia la parte interna del conducto para ensamblarlo. Es posible que la pelusa quede atrapada en el filtro, los tornillos o los remaches, lo que puede obstruir la red de conductos y constituir un peligro de incendio, así como también aumentar los tiempos de secado. En la salida del conducto al exterior, utilice una capucha de ventilación aprobada y selle todas las uniones con cinta de papel aluminio. Todos los accesorios macho para tubos **DEBEN** instalarse teniendo en cuenta el flujo de aire.

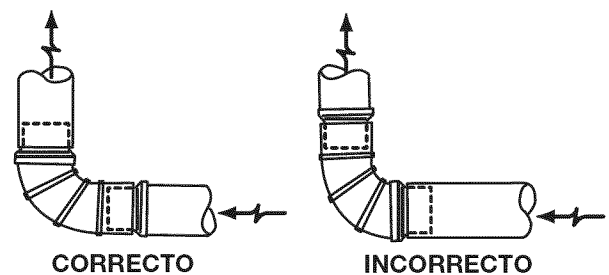
⚠ ADVERTENCIA - PELIGRO DE INCENDIO - Si se excede la longitud del tubo del conducto o el número de codos permitidos en las tablas de "LONGITUD MÁXIMA", se pueden acumular pelusas en el sistema de escape. La obstrucción del sistema podría constituir un peligro de incendio, así como aumentar los tiempos de secado.

Cantidad de codos de 90°	LONGITUD MÁXIMA Conducto de metal rígido de 10,2 cm (4 pulgadas)	
	TIPO DE CAPUCHA DE VENTILACIÓN (recomendada)	
	 4" (10,2 cm)	 2.5" (6,35 cm)
0	19.5 m (64 pies)	14.6 m (48 pies)
1	15.9 m (52 pies)	12.2 m (40 pies)
2	13.5 m (44 pies)	9.8 m (32 pies)
3	9.8 m (32 pies)	7.3 m (24 pies)
4	9.5 m (28 pies)	4.9 m (16 pies)

⚠ ADVERTENCIA - PELIGRO DE INCENDIO -

- No utilice material de ventilación flexible de plástico o aluminio.
- Si va a instalar conductos de ventilación semirrígidos, no exceda una longitud de 8 pies (2,4 m).

Instale los accesorios macho en la dirección correcta:



Requisitos del sistema de escape (continuación)

En instalaciones en las que el sistema de escape no se describa en las tablas, se debe utilizar el siguiente método para determinar si dicho sistema es aceptable:

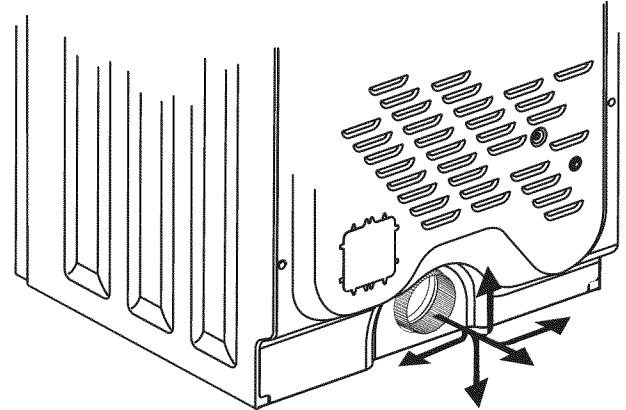
1. Conecte un manómetro inclinado o digital entre la secadora y el punto donde el tubo de escape se conecta con la secadora.
2. Coloque el temporizador y la temperatura de la secadora en la opción Air fluff - cool down (Esponjado con aire, enfriamiento) y ponga en marcha la secadora.
3. Lea la medición del manómetro.
4. La contrapresión del sistema NO DEBE ser mayor que 2,5 cm (1 pulgada) de columna de agua. Si la contrapresión del sistema es menor que 2,5 cm (1 pulgada) de columna de agua, el sistema es aceptable. Si la lectura del manómetro es mayor que 2,5 cm (1 pulgada) de columna de agua, el sistema es demasiado restrictivo y la instalación es inaceptable.

Si bien la orientación vertical del sistema de escape es aceptable, ciertas circunstancias atenuantes podrían afectar el funcionamiento de la secadora:

- Sólo se debe utilizar una red de conductos de metal rígido.
- Si la ventilación se efectúa en forma vertical a través del techo, es posible que el sistema de escape se vea expuesto a ráfagas descendentes que restringirán la ventilación.
- Si el sistema de escape se extiende a través de un área que no está aislada, puede producirse condensación y una acumulación más rápida de pelusa.
- La compresión o los pliegues del sistema de escape aumentarán la restricción de la ventilación.
- Se debe inspeccionar y limpiar el sistema de escape cada 18 meses como mínimo cuando se le da un uso normal. Cuanto más utilice la secadora, más a menudo deberá comprobar que el sistema de escape y la capucha de ventilación funcionan correctamente.

Dirección del escape

El escape direccional se puede lograr mediante la instalación de un codo de ventilación de giro rápido de 90° directamente en la salida de la secadora. Los codos de ventilación de la secadora se encuentran disponibles a través de su distribuidor de repuestos o ferretería local.



Consulte también los REQUISITOS DE DESPEJE en la siguiente página.

NOTA Utilice un codo de giro rápido de 90° para cumplir con la profundidad mínima de instalación de la secadora independiente.

- La ventilación derecho hacia atrás permite la instalación de la secadora a 0" (0 cm) de la pared.
- La ventilación hacia la derecha con un codo de 90° permite la instalación de la secadora a 0.75" (2 cm) de la pared.
- La ventilación hacia abajo con un codo de 90° permite la instalación de la secadora a 0.75" (2 cm) de la pared.
- La ventilación hacia la izquierda con un adaptador recto corto y un codo de 90° permite la instalación a 3.75" (9.5 cm) de la pared.
- La ventilación hacia arriba con un adaptador recto corto y un codo de 90° permite la instalación a 4" (10.2 cm) de la pared.

Instalación en una casa rodante

1. La instalación DEBE cumplir con la actual Norma de Seguridad y Construcción de Casas Rodantes, título 24 CFR, Parte 32-80 (que anteriormente se conocía como la Norma Federal de Seguridad y Construcción de Casas Rodantes [Federal Standard for Mobile Home Construction and Safety], título 24, HUD parte 280) o la Norma CAN/CSAZ240 MH.
2. La secadora DEBE tener evacuación al exterior (no a la parte de abajo de la casa rodante) mediante conductos metálicos que no admitan combustión. Los conductos metálicos deben tener un diámetro de 10,16 cm (4 pulgadas) y no deben presentar obstrucciones. Se recomiendan los conductos de metal rígido.
3. Si la secadora tiene evacuación a través del piso, y el área debajo de la casa rodante es cerrada, el sistema de evacuación DEBE terminar fuera del espacio cerrado y el extremo debe quedar sujetado firmemente a la estructura de la casa rodante.
4. Para obtener información sobre otros requisitos importantes del sistema de escape, consulte las secciones anteriores de esta guía.
5. Cuando se instale una secadora a gas en una casa rodante, se debe dejar espacio en el exterior para la salida de aire. Este espacio debe ser por lo menos el doble del área de la salida de escape de la secadora.
6. El técnico de instalación DEBE anclar esta secadora (1) o secadora sobre pedestal (2) al piso usando un kit de instalación para casas rodantes, pieza número 137067200.

Requisitos de despeje

⚠ ADVERTENCIA - **PELIGRO DE EXPLOSIÓN** - No instale la secadora en el mismo lugar en el que haya o se almacene gasolina u otros productos inflamables. Si la secadora se instala en un garaje, debe estar a una altura mínima de 45,7 cm (18 pulgadas) por encima del suelo. De lo contrario, podría producirse una explosión, un incendio, quemaduras o incluso la muerte.

IMPORTANTE NO INSTALE LA SECADORA:

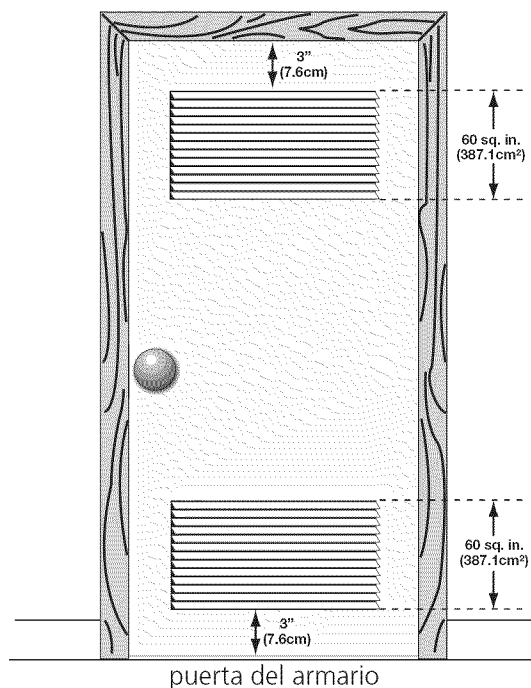
1. En una zona expuesta a la humedad o a las condiciones climáticas externas.
2. En un área en la que esté en contacto con cortinas, telas colgantes o cualquier otra cosa que pueda obstruir el flujo de aire de ventilación y combustión.
3. Sobre una alfombra. El piso DEBE ser firme con una pendiente máxima de 2,54 cm (1 pulgada).

INSTALACIÓN EN UN NICHU O ARMARIO

1. Una secadora instalada en un dormitorio, baño, nicho o armario, DEBE tener ventilación al exterior.
2. No se debe instalar ningún otro artefacto de combustión en el mismo armario que la secadora a gas.
3. La secadora necesita espacio a su alrededor para que la ventilación sea adecuada.

NO instale la secadora en un armario con puerta maciza.

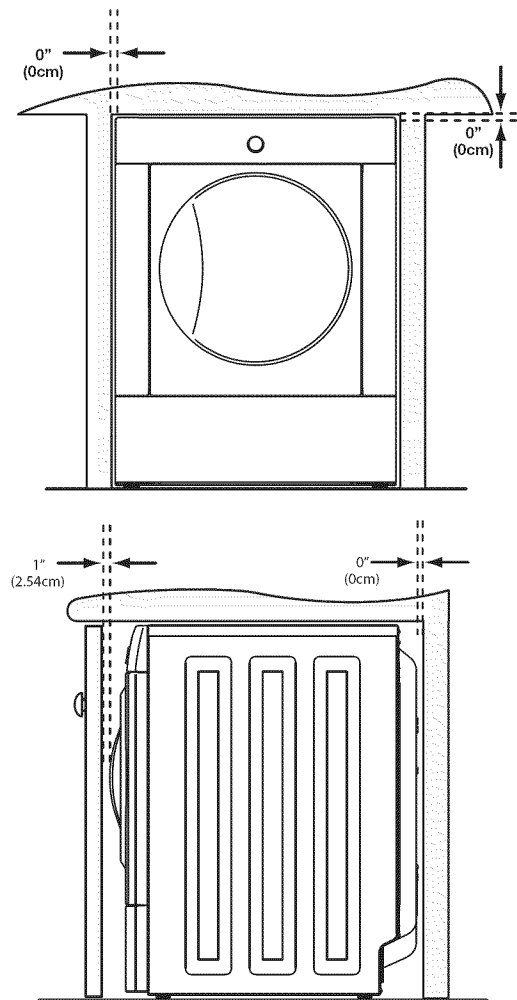
4. Ventilación requerida en la puerta del armario: Se necesita un mínimo de 774,2 cm² (120 pulgadas²) de abertura, dividido en partes iguales en la parte superior e inferior de la puerta. Las aberturas de ventilación deben estar ubicadas a 7,6 cm (3 pulgadas) de la parte superior e inferior de la puerta. Es necesario que las aberturas de aire no estén obstruidas al instalar una puerta. Se acepta una puerta que tenga aberturas de ventilación distribuidas uniformemente en toda la superficie.



puerta del armario

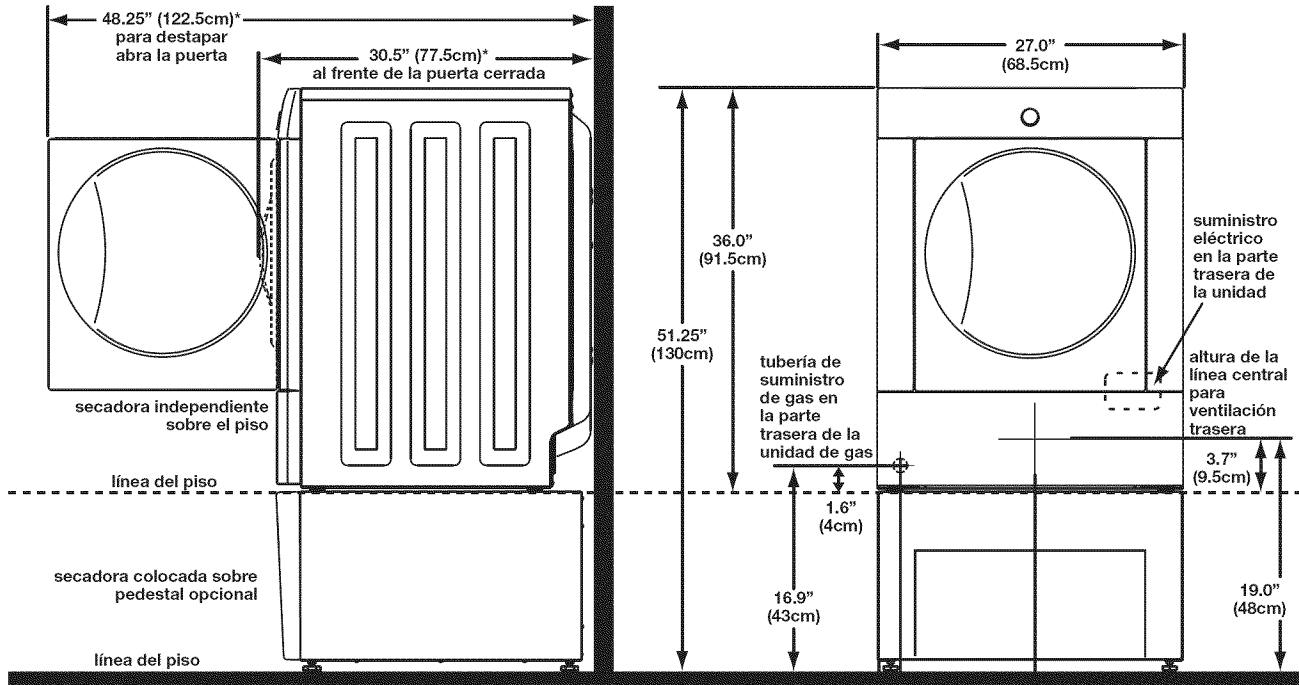
ESPACIOS MÍNIMOS PARA LA INSTALACIÓN: cm (pulgadas)				
	LATERALES	PARTE TRASERA	PARTE SUPERIOR	PARTE DELANTERA
Alcôve	0 cm (0")	0 cm (0")	0 cm (0")	n/d
Sous le comptoir	0 cm (0")	0 cm (0")	0 cm (0")	2,5 cm (1")
Placard	0 cm (0")	0 cm (0")	0 cm (0")	2,5 cm (1")

* Para otra que no sea la ventilación recta hacia atrás, se debe instalar un codo de ventilación de giro rápido de 90° para lograr una instalación de 0 cm (0").

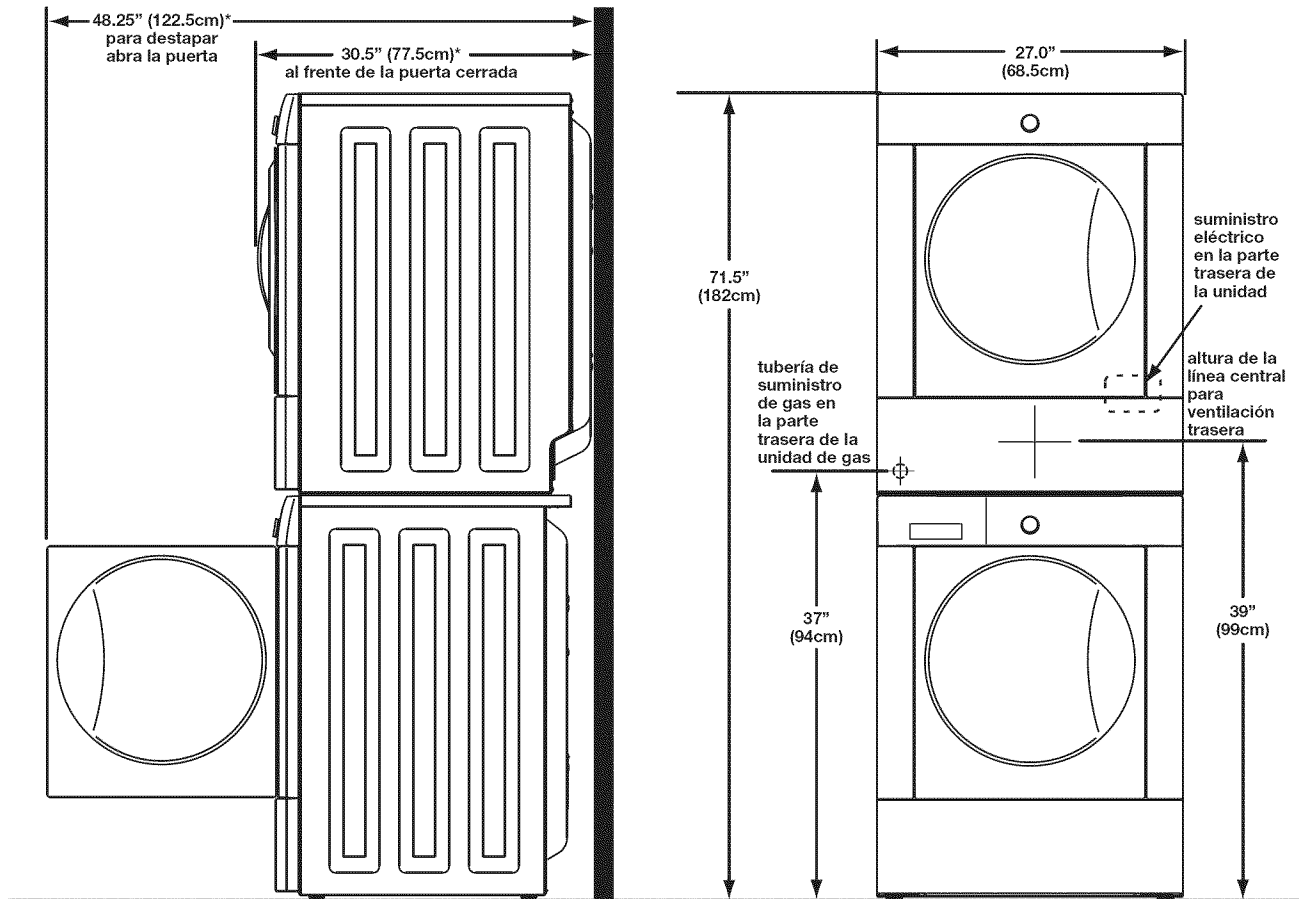


NOTA Para lograr una instalación con 0 cm (0") de despeje en la parte trasera de la secadora (para otra que no sea la ventilación hacia atrás), se debe instalar un codo de ventilación de giro rápido de 90° según se describe anteriormente en esta guía.

Dimensiones de la secadora instalada



* Para obtener estas dimensiones mínimas de profundidad, la secadora debe ser ventilada derecho hacia atrás. Si se usa un codo de giro rápido de 90° (hacia la derecha o hacia abajo) en la secadora independiente, se agregan aproximadamente 0.75" (2.0 cm) a la profundidad de instalación. Si se orienta el escape de la secadora independiente o sobre un pedestal hacia arriba, la profundidad de instalación aumentará aproximadamente en 4" (10.2 cm). Si se orienta el escape de la secadora independiente o sobre un pedestal hacia la izquierda, la profundidad de instalación aumentará aproximadamente en 3.75" (9.5 cm). Si se orienta el escape de la secadora sobre un pedestal hacia abajo, la profundidad de instalación aumentará aproximadamente en 2.25" (5.7 cm).



* Para obtener estas dimensiones mínimas de profundidad, la secadora debe ser ventilada derecho hacia atrás. Si se usa un codo de 90° (hacia la derecha), se agregan aproximadamente 0.75" (2 cm) a la profundidad de instalación. Si se orienta el escape de la secadora instalada sobre la lavadora hacia arriba, la profundidad de instalación aumentará aproximadamente en 4" (10.2 cm). Si se orienta el escape de la secadora instalada sobre la lavadora hacia abajo, la profundidad de instalación aumentará aproximadamente en 2.25" (6.5 cm). Si se orienta el escape de la secadora instalada sobre la lavadora hacia la izquierda, la profundidad de instalación aumentará aproximadamente en 3.75" (9.5 cm).

Instalación eléctrica

Los siguientes son requisitos necesarios para la instalación eléctrica segura y correcta de su secadora. El no seguir estas instrucciones puede producir una descarga eléctrica y/o incendio.

⚠ ADVERTENCIA - PELIGRO DE DESCARGA ELÉCTRICA -

- Este electrodoméstico DEBE estar debidamente conectado a tierra. Si la secadora no está conectada a tierra correctamente, se pueden producir descargas eléctricas. Siga las instrucciones de esta guía para ver cómo se realiza una correcta conexión a tierra.
- No utilice un cable de extensión con esta secadora. Algunos cables de extensión no están diseñados para soportar la cantidad de corriente eléctrica que utiliza esta secadora y pueden derretirse, lo que constituye un peligro de descarga eléctrica y/o incendio. Ubique la secadora en un lugar donde el cable de alimentación que compre esté al alcance del receptáculo, permitiendo que el cable quede holgado. Consulte los requisitos de preinstalación de esta guía para ver cuál es el cable de alimentación correcto que se debe comprar.

⚠ ADVERTENCIA - PELIGRO DE DESCARGA ELÉCTRICA -

- Debe instalarse, en el cable de alimentación, un dispositivo de liberación de tensión aprobado por U.L. Si no se coloca un dispositivo de liberación de tensión, el cable podría desenchufarse de la secadora y cortarse por cualquier movimiento, y provocar así una descarga eléctrica.
- No utilice un receptáculo con cableado de aluminio para un enchufe y cable de alimentación con cables de cobre (o viceversa). La reacción química que tiene lugar entre el cobre y el aluminio puede causar cortocircuitos eléctricos. El receptáculo y el cableado correcto consiste en un cable de alimentación con alambres de cobre con un receptáculo de cables de cobre.

NOTA Las secadoras que funcionan con 208 voltios de corriente eléctrica tendrán tiempos de secado más prolongados que las que funcionan con 240 voltios de corriente eléctrica.

Requisitos de conexión a tierra: secadora eléctrica (Estados Unidos)

⚠ ADVERTENCIA - PELIGRO DE DESCARGA ELÉCTRICA -

Una conexión incorrecta del conductor de conexión a tierra del equipo puede provocar un peligro de descarga eléctrica. Si no está seguro de haber realizado correctamente la conexión a tierra del artefacto, consulte a un electricista autorizado.

Para una secadora conectada a tierra:

1. La secadora DEBE tener conexión a tierra. En el caso de que la secadora no funcione correctamente o se descomponga, la conexión a tierra reduce el riesgo de descarga eléctrica porque ofrece una trayectoria de menor resistencia para la corriente eléctrica.
2. Después de comprar e instalar un cable de alimentación trifilar o tetrafilar con un conductor de conexión a tierra, el enchufe DEBE estar conectado a un receptáculo adecuado con cable de cobre correctamente instalado

y con conexión a tierra, de acuerdo con todos los códigos y las ordenanzas locales. Ante cualquier duda, comuníquese con un electricista autorizado.

3. NO realice modificaciones al enchufe que haya instalado en este artefacto. Si no calza en el tomacorrientes, pídale a un electricista calificado que instale un tomacorrientes adecuado.

Para una secadora conectada de forma permanente:

1. La secadora DEBE estar conectada a un sistema de cableado permanente de metal conectado a tierra, o bien se debe colocar un conductor de conexión a tierra con los conductores del circuito y debe estar conectado al terminal de conexión a tierra del equipo o al cable a tierra del artefacto.

Requisitos de conexión a tierra: secadora eléctrica (Canadá)

⚠ ADVERTENCIA - PELIGRO DE DESCARGA ELÉCTRICA -

Una conexión incorrecta del conductor de conexión a tierra del equipo puede provocar un peligro de descarga eléctrica. Si no está seguro de haber realizado correctamente la conexión a tierra del artefacto, consulte a un electricista autorizado.

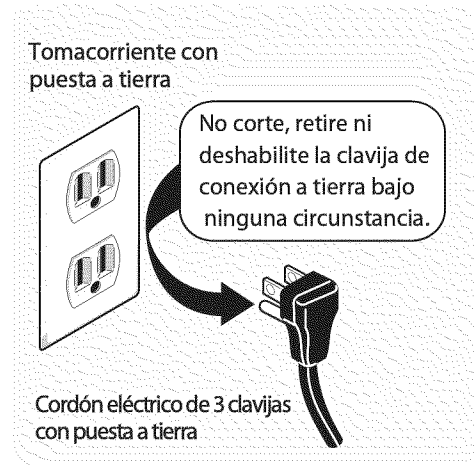
Para una secadora conectada a tierra:

1. La secadora DEBE tener conexión a tierra. En el caso de que la secadora no funcione correctamente o se descomponga, la conexión a tierra reduce el riesgo de descarga eléctrica porque ofrece una trayectoria de menor resistencia para la corriente eléctrica.

2. Debido a que la secadora está equipada con un cable de alimentación eléctrica que cuenta con un conductor de conexión a tierra, el enchufe debe estar conectado a un tomacorriente correctamente instalado y con conexión a tierra, de acuerdo con todos los códigos y las ordenanzas locales. Ante cualquier duda, comuníquese con un electricista autorizado.
3. NO realice modificaciones al enchufe que se proporciona con este artefacto. Si no calza en el tomacorrientes, pídale a un electricista calificado que instale un tomacorrientes adecuado.

Requisitos de conexión a tierra: secadora a gas (Estados Unidos y Canadá)

1. La secadora está equipada con un enchufe de tres patas (conexión a tierra) para evitar el peligro de electrocución y debe estar conectada directamente a un receptáculo de enchufe de tres patas que cuente con una conexión a tierra adecuada.
2. El enchufe debe estar conectado a un tomacorriente correctamente instalado y con conexión a tierra, de acuerdo con todos los códigos y las ordenanzas locales. Ante cualquier duda, comuníquese con un electricista autorizado.
3. NO realice modificaciones al enchufe que se proporciona con este artefacto. Si no calza en el tomacorrientes, pídale a un electricista calificado que instale un tomacorrientes adecuado.

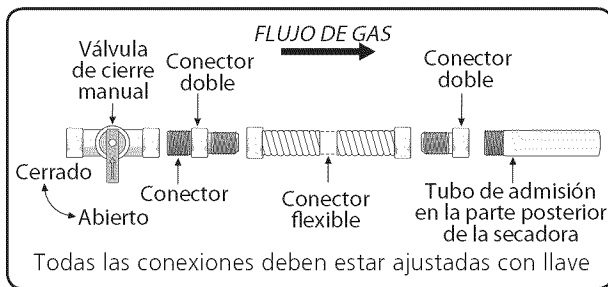


Conexión de gas

1. Quite el tapón del tubo de gas en la parte trasera de la secadora.

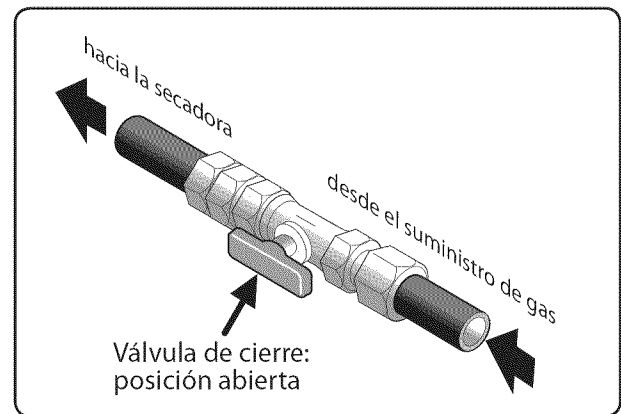
IMPORTANTE NO conecte la secadora al servicio de gas LP sin convertir la válvula de gas. El kit de conversión a gas LP debe ser instalado por un técnico calificado.

2. Conecte un tubo aprobado o uno semi-rígido de 1,27 cm (1/2 pulgada) de diámetro interior desde la línea de suministro de gas al tubo de 0,96 cm (3/8 pulgada) ubicado en la parte trasera de la secadora. Utilice un reductor de 1,27 cm a 0,96 cm (1/2 pulgada a 3/8 pulgada) para realizar la conexión. Aplique un sellador para roscas que sea resistente a la acción corrosiva de los gases licuados en todas las conexiones de los tubos.



IMPORTANTE La línea de suministro de gas debe estar equipada con una válvula de cierre manual aprobada. Esta válvula debe estar ubicada en la misma habitación que la secadora, en una ubicación que permita la facilidad de apertura y cierre. No bloquee el acceso a la válvula de cierre de gas.

3. Abra la válvula de cierre de la línea de suministro de gas para que el gas fluya a través de la tubería. Espere unos minutos a que el gas fluya a través de la línea de suministro de gas.



4. Utilice un manómetro para verificar que no haya fugas en el suministro de gas. Si no cuenta con un manómetro, pruebe todas las conexiones aplicando agua jabonosa en estas.

⚠ ADVERTENCIA - PELIGRO DE EXPLOSIÓN - NUNCA compruebe si hay fugas de gas con una llama abierta.

Conexión eléctrica (fuera de Canadá): trifilar



Receptáculo trifilar
(tipo NEMA 10-30R)

⚠ ADVERTENCIA - PELIGRO DE DESCARGA ELÉCTRICA -

El no desconectar el suministro eléctrico antes de realizar cualquier reparación puede ocasionar lesiones personales o incluso la muerte.

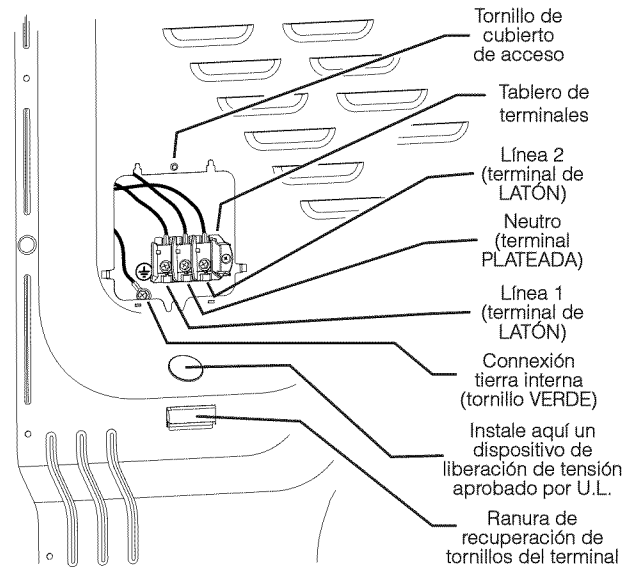
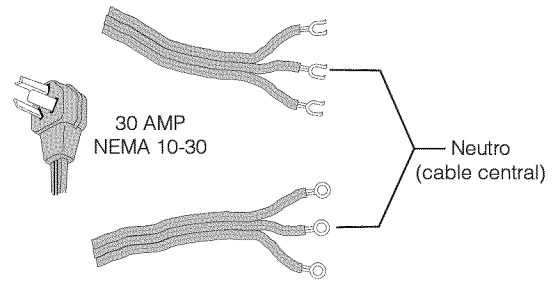
1. Desconecte el suministro eléctrico del tomacorriente.
2. Extraiga el tornillo que sujeta la cubierta de acceso del bloque terminal que se encuentra en la esquina inferior de la parte trasera de la secadora.
3. Instale un dispositivo de liberación de tensión aprobado por U.L., de acuerdo con las instrucciones relativas al cable de alimentación/dispositivo de liberación de tensión del fabricante, en el orificio de entrada del cable de alimentación debajo del panel de acceso. En este momento, el dispositivo de liberación de tensión debe estar holgadamente en su lugar.
4. Pase un cable de alimentación aprobado por U.L. DESENFUFADO, de 30 amp. tipo NEMA 10-30, SRDT a través del dispositivo de liberación de tensión.
5. Conecte el conductor neutro (cable del centro) del cable de alimentación al terminal PLATEADO del centro del bloque terminal. Ajuste el tornillo con firmeza.
6. Conecte los dos conductores externos restantes del cable de alimentación a los terminales externos de color LATÓN del bloque terminal. Ajuste los dos tornillos con firmeza.

⚠ ADVERTENCIA - PELIGRO DE DESCARGA ELÉCTRICA -

No forme un ángulo agudo con el cableado/conductor, ni los doble en el punto de conexión.

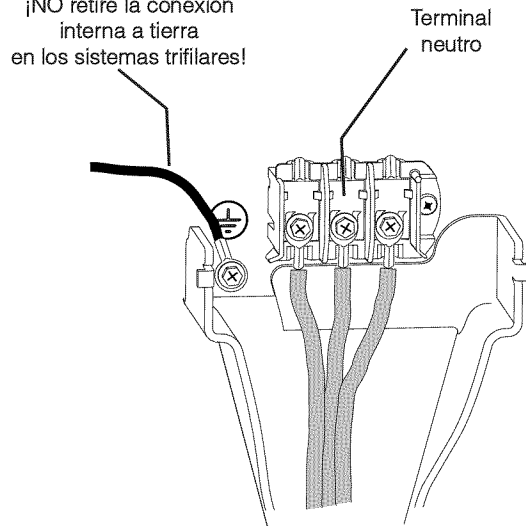
7. Siga las pautas del fabricante para sujetar firmemente el dispositivo de liberación de tensión y el cable de alimentación.
8. Vuelva a instalar la cubierta del bloque terminal.

IMPORTANTE Para mover la secadora desde un sistema tetrafilar e instalarla en un sistema trifilar, mueva la conexión a tierra interna del terminal central nuevamente hacia el tornillo VERDE que se encuentra junto al bloque terminal.



NOTA Si un tornillo del terminal se cae durante la instalación del cable, se puede recuperar en la ranura de recuperación de tornillos del terminal que se encuentra debajo del panel de acceso.

¡NO retire la conexión interna a tierra en los sistemas trifilares!



Conexión eléctrica (fuera de Canadá): tetrafilar



Receptáculo tetrafilar
(tipo NEMA 14-30R)

ADVERTENCIA - PELIGRO DE DESCARGA ELÉCTRICA -

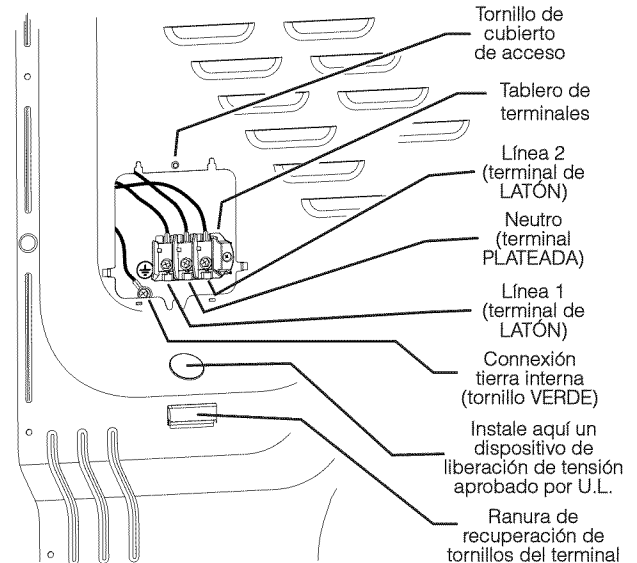
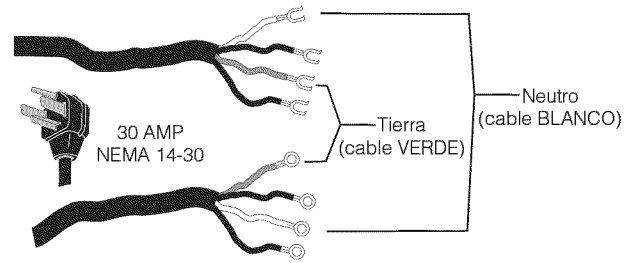
El no desconectar el suministro eléctrico antes de realizar cualquier reparación puede ocasionar lesiones personales o incluso la muerte.

1. Desconecte el suministro eléctrico del tomacorriente.
2. Extraiga el tornillo que sujeta la cubierta de acceso del bloque terminal que se encuentra en la esquina inferior de la parte trasera de la secadora.
3. Instale un dispositivo de liberación de tensión aprobado por U.L., de acuerdo con las instrucciones relativas al cable de alimentación/dispositivo de liberación de tensión del fabricante, en el orificio de entrada del cable de alimentación debajo del panel de acceso. En este momento, el dispositivo de liberación de tensión debe estar holgadamente en su lugar.
4. Pase un cable de alimentación aprobado por U.L. DESENCHUFADO, de 30 amp. tipo NEMA 14-30, SRDT o ST a través del dispositivo de liberación de tensión.
5. Desconecte el cable interno (NEGRO) de conexión a tierra que integra el enchufe preformado de la secadora del tornillo de conexión a tierra (VERDE) que está junto al bloque terminal.
6. Conecte el cable de conexión a tierra (VERDE) del cable de alimentación al gabinete utilizando el tornillo (VERDE) de conexión a tierra. Ajuste el tornillo con firmeza.
7. Mueva el cable interno (NEGRO) de conexión a tierra que integra el enchufe preformado de la secadora al bloque terminal y conéctelo junto con el conductor neutro (BLANCO) del cable de alimentación al terminal PLATEADO del centro del bloque terminal. Ajuste el tornillo con firmeza.
8. Conecte los conductores ROJO y NEGRO del cable de alimentación a los terminales externos de color LATÓN del bloque terminal. Ajuste los dos tornillos con firmeza.

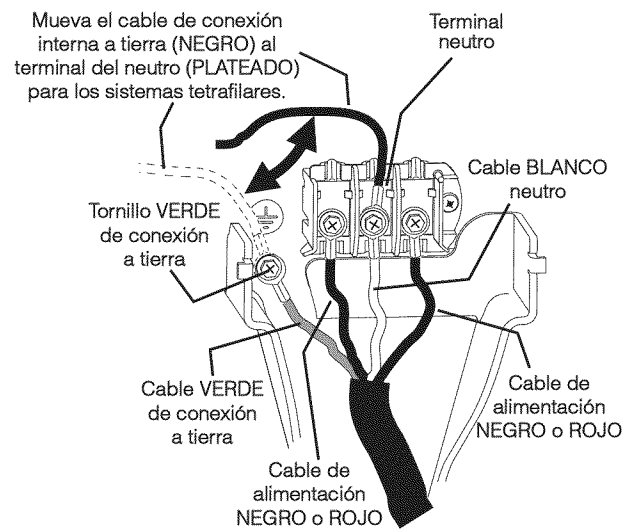
ADVERTENCIA - PELIGRO DE DESCARGA ELÉCTRICA -

No forme un ángulo agudo con el cableado/conductor, ni los doble en el punto de conexión.

9. Siga las pautas del fabricante para sujetar firmemente el dispositivo de liberación de tensión y el cable de alimentación.
10. Vuelva a instalar la cubierta del bloque terminal.



NOTA Si un tornillo del terminal se cae durante la instalación del cable, se puede recuperar en la ranura de recuperación de tornillos del terminal que se encuentra debajo del panel de acceso.



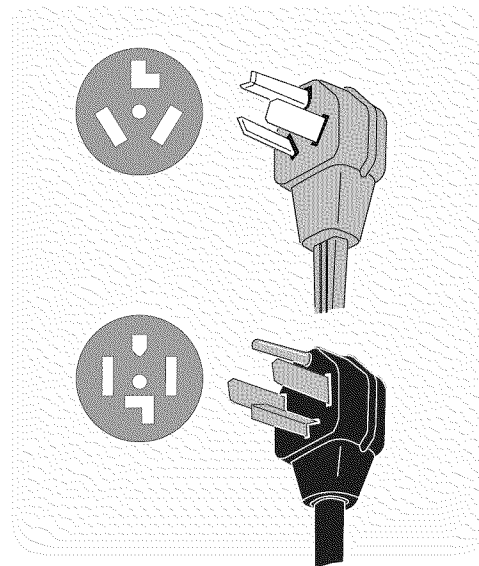
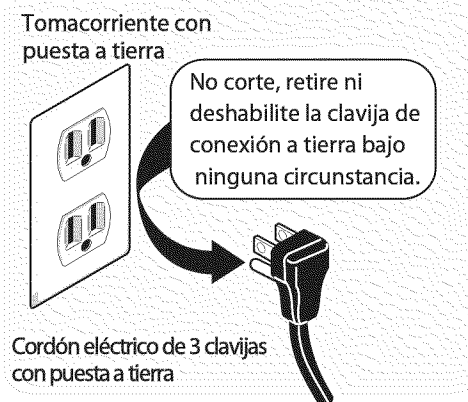
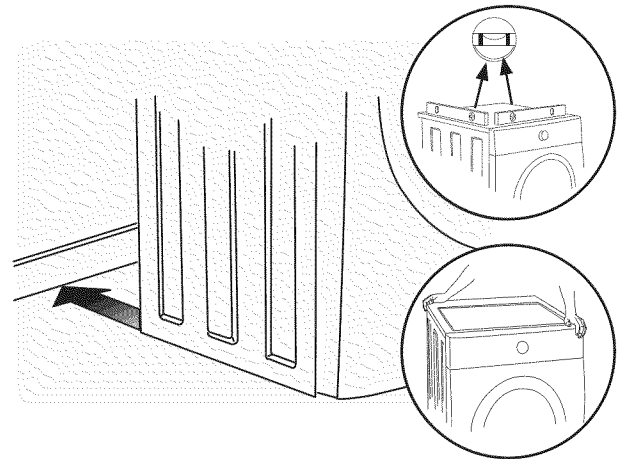
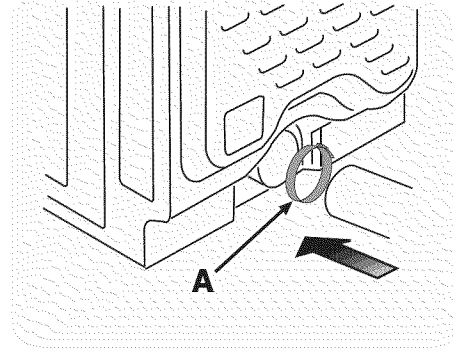
Instalación general

1. Conecte el tubo de escape al sistema de escape exterior (consulte las páginas 34 a 36). Se recomienda usar una abrazadera (pieza A) de 4" (10,2 cm) para conectar las secadora al sistema de ventilación de escape. Utilice cinta de papel de aluminio para sellar las demás uniones.
2. Deslice la secadora a su posición final cuidadosamente. Ajuste una o varias de las patas de la secadora hasta que se encuentre firme sobre las cuatro patas. Coloque un nivel en la parte superior de la secadora. La secadora DEBE estar nivelada y firme sobre las cuatro patas. Presione las distintas esquinas para asegurarse de que la secadora está estabilizada. Retire y deseche la cinta de la puerta.

IMPORTANTE Revise la caja del interruptor automático/fusibles para asegurarse de que la electricidad esté desconectada antes de conectar el cable de alimentación al tomacorriente.

3. Conecte el cable de alimentación a un tomacorriente con conexión a tierra.
4. Conecte la electricidad desde la caja del interruptor automático/fusibles.
5. Consulte la Guía de uso y cuidado que se proporciona con la secadora. Dicha guía contiene información útil y valiosa que le ahorrará tiempo y dinero.
6. Si tiene alguna pregunta durante el funcionamiento inicial, repase la "Lista de control para evitar el servicio técnico" de su Guía de uso y cuidado antes de llamar al servicio técnico.
7. Guarde estas instrucciones cerca de la secadora para referencia futura.

NOTA Dentro de la consola de la secadora, encontrará una hoja de información técnica y un diagrama de cableado.



Instrucciones para cambiar la apertura de la Puerta sin Ventana:

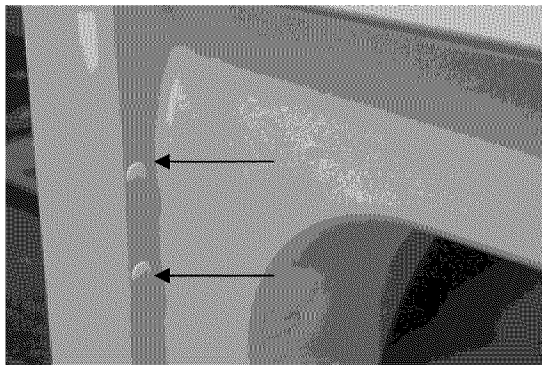


Figure 1

1. Abra la Puerta y quite los 4 taponetes de enfrente a donde se encuentra la bisagra. Conserve todas las piezas para utilizarlas posteriormente, a menos que se especifique lo contrario. (Figura 1). Nota: Tenga cuidado al quitar los taponetes, para no dan~ar la pintura en el Panel Frontal.

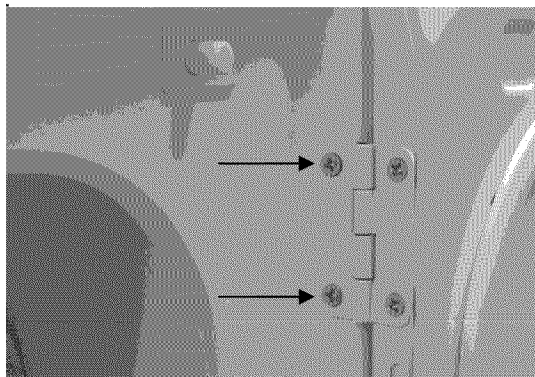


Figure 2

2. Afloje los cuatro (4) tornillos que sujetan la bisagra al Panel Frontal. (Figura 2). Para mejores resultados, quite solo uno de los tornillos. Luego quite los dos restantes, mientras sujeta la puerta firmemente, para evitar que caiga y cause un dan~o a la bisagra, al Panel o a la Puerta. Despues de aflojar los tornillos restantes, proceda a quitarlos completamente.

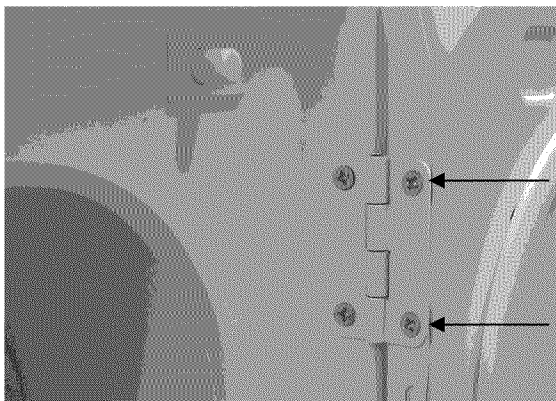


Figure 3

3. Coloque la Puerta, con el lado de la bisagra hacia abajo, sobre una toalla o colchoneta, para evitar que se raye. Quite los cuatro (4) tornillos restantes entre la bisagra y la puerta. (Figura 3).

4. Quite cuatro (4) tornillos del lado contrario de la puerta, donde estaba montada la bisagra.

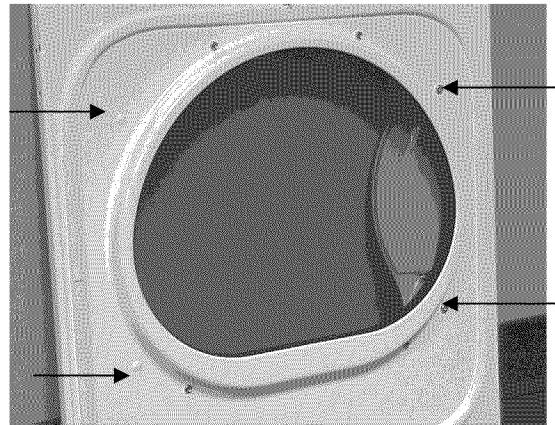


Figure 4

5. Quite dos (2) tornillos de la manija y dos (2) taponetes de la Puerta; teniendo cuidado de no rayar la pintura de la Puerta. (Figura 4).



Figure 5

6. Retire la manija lejos del ensamble de la puerta. (Figura 5).

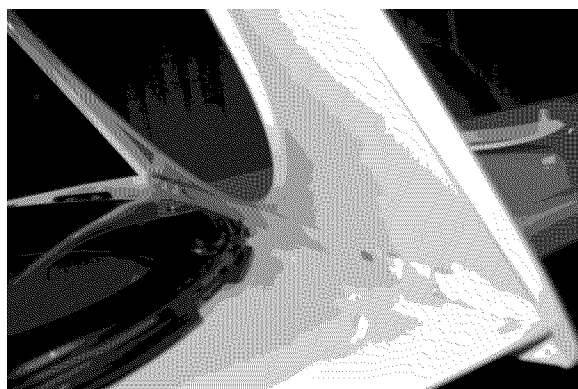


Figure 6

7. Separe la puerta externa del ensamble interno de la puerta con un cuchillo o con un destornillador plano. (Figura 6).

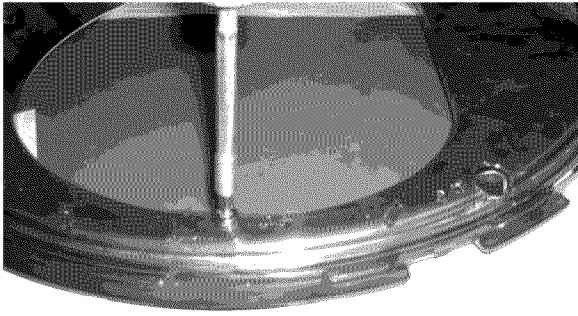


Figure 7

8. Quite el tornillo que fija la lente. (Figura 7).

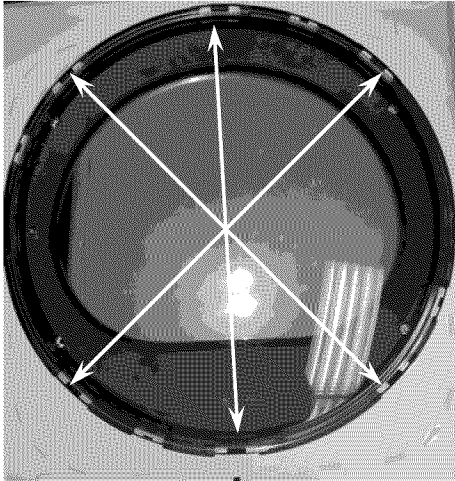


Figure 8

9. Desuniciendo varias de las lengüetas de retención y retire la lente lejos del anillo de transición. (Figura 8).

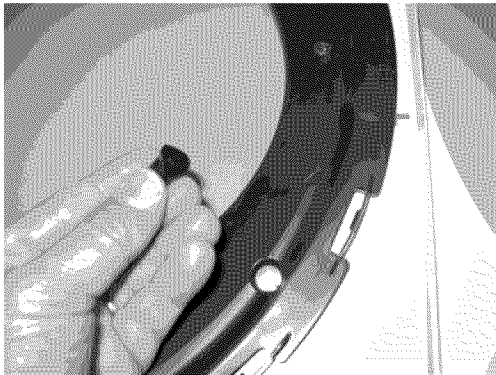


Figure 9

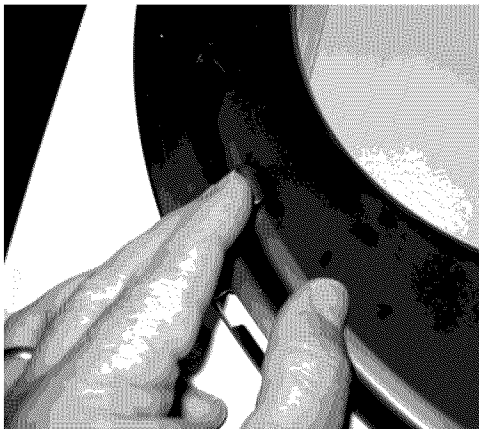


Figure 10

10. Quite dos (2) tapones del anillo de transición y reinstálese en lado anterior de la manija. (Figuras 9 y 10)

11. Vuelva a montar la lente al anillo de transición con los agujeros para instalar la manija en el lado derecho del montaje de la puerta. Para el ajuste apropiado asegure que las lengüetas de retención en el anillo de transición están encima de la lente.

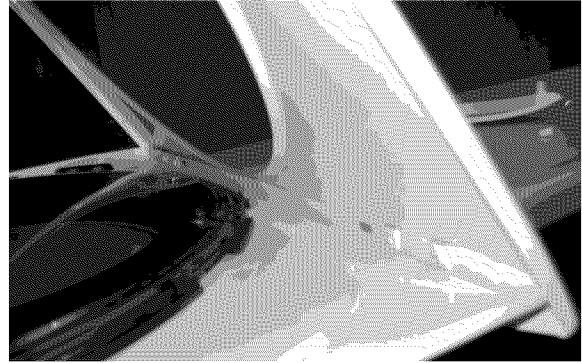


Figure 11

12. Vuelva a instalar la Puerta externa al ensamble interno de la puerta. (Figura 11)

13. Instale cuatro (4) tornillos que fijan la bisagra al ensamble de la Puerta en la nueva localización, asegurese de colocar la bisagra en la orientación correcta.

14. Instale cuatro (4) tornillos en los agujeros que sujetaban la bisagra.

15. Quite la contra y deseche.

16. Quite el tapon cuadrado y reinstálese en el agujero donde estaba la contra.

17. Instale la contra (mismo que se proporciona en la bolsa de la Literatura) en el agujero cuadrado, en donde quito el tapon.

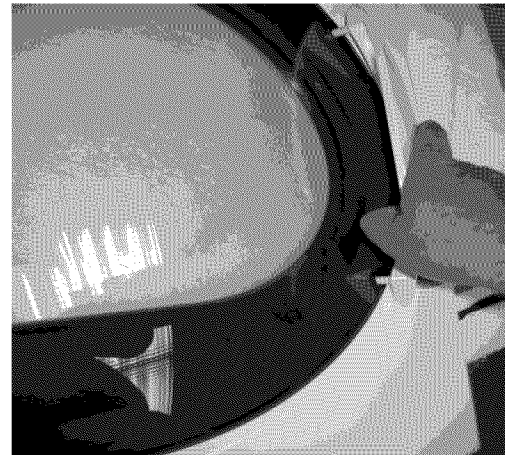


Figure 12

18. Re-instale la manija de la Puerta, haciendo pasar los pernos de montaje de la misma, a través de los agujeros en el vidrio y anillo y colocando tornillos a través del panel interior de la Puerta y apretandolos en los pernos de la manija. (Figura 12).

19. Tomando la puerta firmemente de la parte superior, coloque la cerca del hueco y asegurese de alinear el agujero superior de la bisagra con el agujero superior del Panel Frontal. Una vez que inicia el ensamble del primer tornillo, coloque el segundo en el inferior de la bisagra. Cuando ambos estén apretados, instale los otros dos tornillos.

20. Instale cuatro (4) tapones en los agujeros del Panel Frontal, donde estaban colocadas las bisagras originalmente.

Accesorios

PEDESTAL DE ALMACENAMIENTO CONCORDANTE*

Pedestal de color blanco - Pieza N° NLPWD15 o 48062

Pedestal de color negro - Pieza N° NLPWD15E o 48066

Pedestal de color plateado - Pieza N° NLPWD1A o 46267

*Es posible que hayan otros colores disponibles. Póngase en contacto con el distribuidor donde adquirió la secadora.

Un accesorio de pedestal de almacenamiento, especialmente diseñado para esta secadora, se puede utilizar para elevar la unidad y facilitar su uso. Dicho pedestal agregará aproximadamente 38 cm (15 pulgadas) a la altura de su unidad para una altura total de 130 cm (51.25 pulgadas).

KIT DE SECADORA PARA CENTRO DE LAVADO

Pieza No.. 134700600

Dependiendo del modelo que haya comprado, es posible que esta secadora incluya un kit para instalarla sobre la lavadora correspondiente. Si el modelo que adquirió no incluye un kit de instalación sobre la lavadora o desea un kit diferente, puede pedir uno.

KIT DE CONVERSIÓN A GAS LP

Pieza No.. PCK4200

Las secadoras a gas diseñadas para el uso en lugares con suministro de LP requieren utilizar un kit de conversión antes de la instalación.

KIT DE INSTALACIÓN EN UNA CASA RODANTE

Pieza No.. 137067200

La instalación en una casa rodante requiere utilizar el KIT DE INSTALACIÓN EN UNA CASA RODANTE.

REJILLA DE SECADO

Pieza No.. 1370067300

Dependiendo del modelo que haya comprado, es posible que esta secadora incluya una rejilla de secado. Si el modelo que adquirió no incluye una rejilla de secado o desea una rejilla adicional, puede pedir una.

LLAVE UNIVERSAL PARA ELECTRODOMÉSTICOS

Pieza No.. 137019200

También puede pedir una LLAVE UNIVERSAL PARA ELECTRODOMÉSTICOS para ayudarlo a ajustar las patas de las secadoras, lavadoras o pedestales.

MARCADORES DE PINTURA DE RETOQUE*

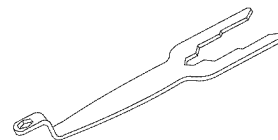
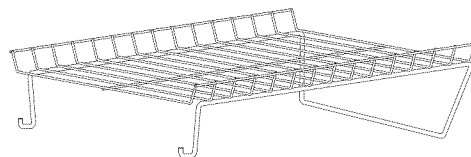
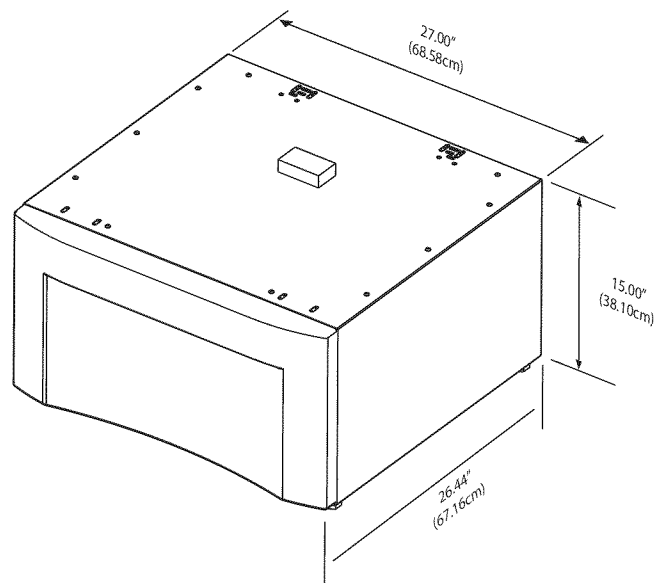
Marcador de retoque de pintura blanca - Pieza N° 5304468812

Marcador de retoque de pintura negra - Pieza N° 5304458932

Marcador de retoque de pintura plateado - Pieza N° 5304471228

*Es posible que hayan otros colores disponibles. Póngase en contacto con el distribuidor donde adquirió la secadora.

⚠ PRECAUCIÓN El no utilizar accesorios fabricados (o aprobados) por el fabricante puede ocasionar lesiones personales, daños a la propiedad o daños a la secadora.



Piezas de repuesto:

Si necesita obtener piezas de recambio para su lavadora, póngase en contacto con el distribuidor donde compró su secadora.

⚠ ADVERTENCIA - PELIGRO DE DESCARGA ELÉCTRICA - Cuando se reparen los controles, rote todos los cables antes de desconectarlos. Los errores de cableado pueden producir un funcionamiento incorrecto y peligroso. Verifique que el funcionamiento es correcto después de realizar las reparaciones.
