

All about the

Installation

of your Dryer

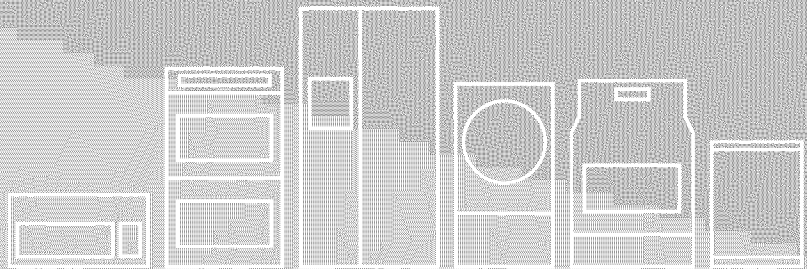


TABLE OF CONTENTS

Important Safety Instructions.....	2-3	Reversing Door	18-21
Installation Requirements	4-10	Accessories	22
Installed Dryer Dimensions	11	Français.....	23
Installation Instructions	12-17	Español	45

IMPORTANT SAFETY INSTRUCTIONS

WARNING

For your safety the information in this manual must be followed to minimize the risk of fire or explosion or to prevent property damage, personal injury or loss of life. Do not store or use gasoline or other flammable vapors and liquids in the vicinity of this or any other appliance.

WARNING - RISK OF FIRE

Read all of the following instructions before installing and using this appliance:

- Destroy the carton and plastic bags after the dryer is unpacked. Children might use them for play. Cartons covered with rugs, bedspreads, or plastic sheets can become airtight chambers causing suffocation. Place all materials in a garbage container or make materials inaccessible to children.
- Clothes dryer installation and service must be performed by a qualified installer, service agency or the gas supplier.
- Install the clothes dryer according to the manufacturer's instructions and local codes.
- The electrical service to the dryer must conform with local codes and ordinances and the latest edition of the National Electrical Code, ANSI/NFPA 70, or in Canada, the Canadian electrical code C22.1 part 1.
- The gas service to the dryer must conform with local codes and ordinances and the latest edition of the National Fuel Gas Code ANSI Z223.1, or in Canada, CAN/ACG B149.1-2000. An individual manual shut-off valve must be installed within 6 ft (1.83 m) of the dryer in accordance with the National Fuel Gas Code, ANSI Z223.1/NFPA 54.
- The dryer is designed under ANSI Z 21.5.1 or ANSI/UL 2158 - CAN/CSA C22.2 No. 112 (latest editions) for HOME USE only. This dryer is not recommended for commercial applications such as restaurants, beauty salons, etc.
- Do not install a clothes dryer with flexible plastic or flexible foil venting material. Flexible venting materials are known to collapse, be easily crushed and trap lint. These conditions will obstruct clothes dryer airflow and increase the risk of fire.
- Do not stack a dryer on top of washer already installed on pedestal. Do not stack dryer on top of another dryer. Do not stack washer on top of dryer. Do not stack washer on top of another washer. Do not stack dryer on top of washer without use of manufacturer approved and correctly installed stacking kit appropriate for your model.
- The instructions in this manual and all other literature included with this dryer are not meant to cover every possible condition and situation that may occur. Good safe practice and caution MUST be applied when installing, operating and maintaining any appliance.

WHAT TO DO IF YOU SMELL GAS:

- Do not try to light any appliance.
- Do not touch any electrical switch; do not use any phone in your building.
- Clear the room, building or area of all occupants.
- Immediately call your gas supplier from a neighbor's phone. Follow the gas supplier's instructions.
- If you cannot reach your gas supplier, call the fire department.

CAUTION

EXCESSIVE WEIGHT HAZARD

To avoid back or other injury, have more than one person move or lift the appliance.

Save these instructions for future reference.

Pre-Installation Requirements

Tools and materials needed for installation:

- Adjustable pliers
- Phillips, straight, & square bit screwdrivers
- Adjustable wrench
- Pipe wrench for gas supply (gas dryer)
- LP-resistant thread tape (for natural gas or LP supply, gas dryer)
- Carpenter's level
- External vent hood
- 4-inch (102 mm), rigid metal or semi-rigid metal exhaust duct work
- 3-wire or 4-wire 240 volt cord kit (electric dryer)
- 4 in. (102 mm) clamp
- Gas line shutoff valve (gas dryer)
- ½ NPT union flare adapters (x2) and flexible gas supply line (gas dryer)
- Metal foil tape (not duct tape)

IMPORTANT SAFETY INSTRUCTIONS


WARNING

Please read all instructions before using this dryer.

Recognize safety symbols, words and labels

Safety items throughout this manual are labeled with a WARNING or CAUTION based on the risk type as described below:

Definitions

 This is the safety alert symbol. It is used to alert you to potential personal injury hazards. Obey all safety messages that follow this symbol to avoid possible injury or death.

DANGER

DANGER indicates an imminently hazardous situation which, if not avoided, will result in death or serious injury.

WARNING

WARNING indicates a potentially hazardous situation which, if not avoided, could result in death or serious injury.

CAUTION

CAUTION indicates a potentially hazardous situation which, if not avoided, may result in minor or moderate injury.

IMPORTANT

IMPORTANT indicates installation, operation or maintenance information which is important but not hazard-related.

Installation Checklist

Exhaust Venting

- Free-flowing, clear of lint buildup
- 4 inch (102 mm) rigid or semi-rigid ducting of minimal length and turns
- NO foil or plastic venting material
- Approved vent hood exhausted to outdoors

Leveling

- Dryer is level, side-to-side and front-to-back
- Cabinet is setting solid on all corners

Gas Supply (Gas Dryer)

- Manual shutoff valve present in supply
- All connections sealed with approved sealer and wrench tight
- Conversion kit for LP system
- Gas supply turned on
- No leaks present at all connections - check with soapy water, NEVER check with flame

240v Electric Supply (Electric Dryer)

- Approved NEMA 10-30R or 14-30R service cord with all screws tight on terminal block
- Approved strain relief installed
- Terminal access cover installed before initial operation

Door Reversal

- Follow detailed instructions in this guide
- Test hinge and latch for function

Electrical Power

- House power turned on
- Dryer plugged in

Final Checks

- Installation Instructions** and **Use and Care Guide** read thoroughly
- Door latches and drum tumbles when cycle starts
- Registration card sent in

INSTALLATION REQUIREMENTS

NOTE

Because of potentially inconsistent voltage capabilities, the use of this dryer with power created by gas powered generators, solar powered generators, wind powered generators or any other generator other than the local utility company is not recommended.

Electrical requirements for electric dryer

CIRCUIT - Individual 30 amp. branch circuit fused with 30 amp. time delay fuses or circuit breakers. Use separately fused circuits for washer and dryer. **DO NOT** operate a washer and a dryer on the same circuit.

POWER SUPPLY - 3-wire or 4-wire, 240 volt, single phase, 60 Hz, Alternating Current.

IMPORTANT

This dryer is internally grounded to neutral unless it was manufactured for sale in Canada.

Only a 4-conductor cord shall be used when the appliance is installed in a location where grounding through the neutral conductor is prohibited. Grounding through the neutral link is prohibited for: (1) new branch circuit installations, (2) mobile homes, (3) recreational vehicles, and (4) areas where local codes do not permit grounding through the neutral.

OUTLET RECEPTACLE - NEMA 10-30R or NEMA 14-30R receptacle to be located so the power supply cord is accessible when the dryer is in the installed position.

GROUNDING CONNECTION - See "Grounding requirements" in Electrical Installation section.

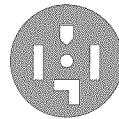
3-WIRE POWER SUPPLY CORD KIT (not supplied)



3-wire receptacle
(NEMA type 10-30R)

The dryer **MUST** employ a 3-conductor power supply cord NEMA 10-30 type SRDT rated at 240 volt AC minimum, 30 amp, with 3 open end spade lug connectors with upturned ends or closed loop connectors and marked for use with clothes dryers. For 3-wire cord connection instructions see **ELECTRICAL CONNECTIONS FOR A 3-WIRE SYSTEM.**

4-WIRE POWER SUPPLY CORD KIT (not supplied)



4-wire receptacle
(NEMA type 14-30R)

The dryer **MUST** employ a 4-conductor power supply cord NEMA 14-30 type SRDT or ST (as required) rated at 240 volt AC minimum, 30 amp, with 4 open end spade lug connectors with upturned ends or closed loop connectors and marked for use with clothes dryers. For 4-wire cord connection instructions see **ELECTRICAL CONNECTIONS FOR A 4-WIRE SYSTEM.**

NOTE

Dryers manufactured for sale in Canada have factory-installed, 4-wire power supply cord (NEMA 14-30R).

INSTALLATION REQUIREMENTS

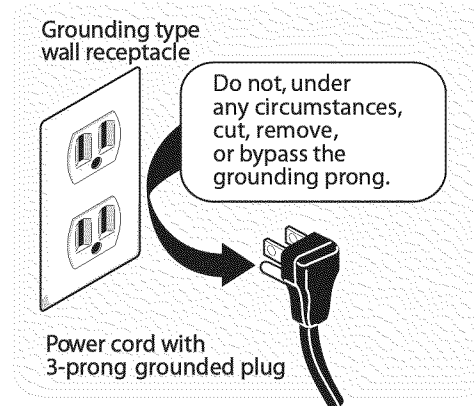
Electrical requirements for gas dryer

CIRCUIT - Individual, properly polarized and grounded 15 amp. branch circuit fused with 15 amp. time delay fuse or circuit breaker.

POWER SUPPLY - 2-wire, with ground, 120 volt, single phase, 60 Hz, Alternating Current.

POWER SUPPLY CORD - The dryer is equipped with a 120 volt 3-wire power cord.

GROUNDING CONNECTION - See "Grounding requirements" in Electrical Installation section.



Gas supply requirements

WARNING

EXPLOSION HAZARD

Uncoated copper tubing will corrode when subjected to natural gas, causing gas leaks. Use ONLY black iron, stainless steel, or plastic-coated brass piping for gas supply.

- 1** Installation MUST conform with local codes, or in the absence of local codes, with the National Fuel Gas Code, ANSI Z223.1 (latest edition).
- 2** The gas supply line should be 1/2 inch (1.27 cm) pipe.
- 3** If codes allow, flexible metal tubing may be used to connect your dryer to the gas supply line. The tubing MUST be constructed of stainless steel or plastic-coated brass.
- 4** The gas supply line MUST have an individual shutoff valve installed in accordance with the B149.1, Natural Gas and Propane Installation Code.
- 5** A 1/8 inch (0.32 cm) N.P.T. plugged tapping, accessible for test gauge connection, MUST be installed immediately upstream of the gas supply connection to the dryer.
- 6** The dryer MUST be disconnected from the gas supply piping system during any pressure testing of the gas supply piping system at test pressures in excess of 1/2 psig (3.45 kPa).
- 7** The dryer MUST be isolated from the gas supply piping system during any pressure testing of the gas supply piping system at test pressures equal to or less than 1/2 psig (3.45 kPa).
- 8** Connections for the gas supply must comply with the Standard for Connectors for Gas Appliances, ANSI Z21.24.

INSTALLATION REQUIREMENTS

Exhaust system requirements

Use only 4 inch (102 mm) diameter (minimum) rigid or flexible metal duct and approved vent hood which has a swing-out damper(s) that open when the dryer is in operation. When the dryer stops, the dampers automatically close to prevent drafts and the entrance of insects and rodents. To avoid restricting the outlet, maintain a minimum of 12 inches (30.5 cm) clearance between the vent hood and the ground or any other obstruction.



WARNING

FIRE HAZARD

Failure to follow these instructions can create excessive drying times and fire hazards.

The following are specific requirements for proper and safe operation of your dryer.

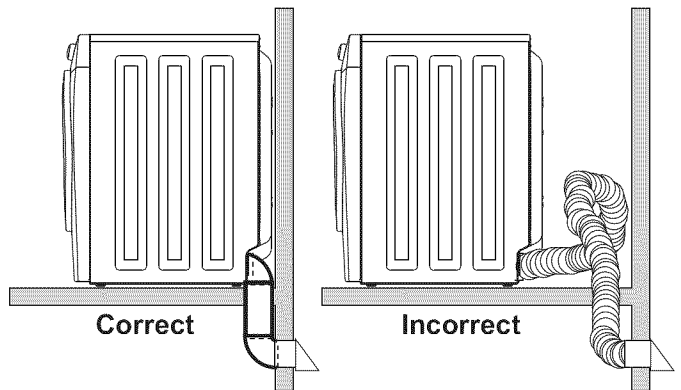
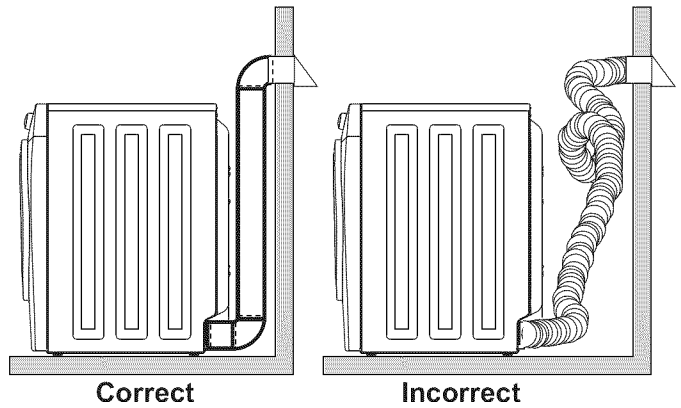


WARNING

FIRE HAZARD

Do not install a clothes dryer with flexible plastic or metal foil venting materials. Flexible venting materials are known to collapse, be easily crushed and trap lint. These conditions will obstruct clothes dryer airflow and increase the risk of fire.

If your present system is made up of plastic duct or metal foil duct, replace it with a rigid or semi-rigid metal duct. Also, ensure the present duct is free of any lint prior to installing dryer duct.



INSTALLATION REQUIREMENTS

Exhaust system requirements, continued

WARNING

FIRE HAZARD

A clothes dryer must be exhausted outdoors. Do not exhaust dryer into a chimney, a wall, a ceiling, an attic, a crawl space or any concealed space of a building. A clothes dryer produces combustible lint. If the dryer is not exhausted outdoors, some fine lint will be expelled into the laundry area. An accumulation of lint in any area of the home can create a health and fire hazard.

The dryer must be connected to an exhaust outdoors. Regularly inspect the outdoor exhaust opening and remove any accumulation of lint around the outdoor exhaust opening and in the surrounding area.

WARNING

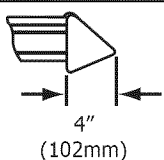
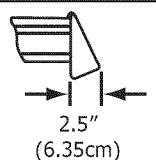
FIRE HAZARD

- Do not allow combustible materials (for example: clothing, draperies/curtains, paper) to come in contact with exhaust system. The dryer **MUST NOT** be exhausted into a chimney, a wall, a ceiling, or any concealed space of a building which can accumulate lint, resulting in a fire hazard.
- Do not screen the exhaust ends of the vent system, or use any screws, rivets or other fasteners that extend into the duct to assemble the exhaust system. Lint can become caught in the screen, on the screws or rivets, clogging the duct work and creating a fire hazard as well as increasing drying times. Use an approved vent hood to terminate the duct outdoors, and seal all joints with metal foil duct tape. All male duct pipe fittings **MUST** be installed downstream with the flow of air.

WARNING

FIRE HAZARD

Exceeding the length of duct pipe or number of elbows allowed in the "MAXIMUM LENGTH" charts can cause an accumulation of lint in the exhaust system. Plugging the system could create a fire hazard, as well as increase drying times.

Number of 90° turns	MAXIMUM LENGTH of 4" (102mm) Rigid Metal Duct	
	VENT HOOD TYPE	
	(Preferred)	
		
	4" (102mm)	2.5" (6.35cm)
	louvered	
0	64 ft. (19.5 m)	48 ft. (14.6 m)
1	52 ft. (15.9 m)	40 ft. (12.2 m)
2	44 ft. (13.5 m)	32 ft. (9.8 m)
3	36 ft. (11 m)	24 ft. (7.3 m)
4	28 ft. (9.5 m)	16 ft. (4.9 m)

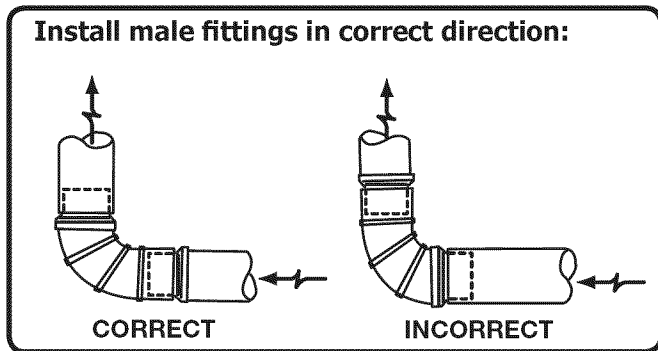
WARNING

FIRE HAZARD

- Do not install flexible plastic or flexible foil venting material.
- If installing semi-rigid venting, do not exceed 8 ft. (2.4 m) duct length.

INSTALLATION REQUIREMENTS

Exhaust system requirements, continued



In installations where the exhaust system is not described in the charts, the following method must be used to determine if the exhaust system is acceptable:

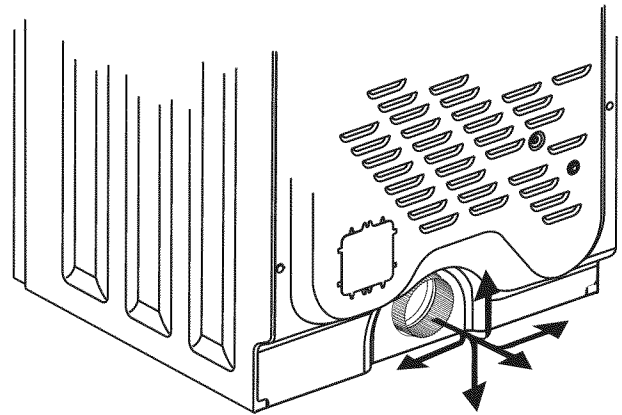
- 1 Connect an inclined or digital manometer between the dryer and the point the exhaust connects to the dryer.
- 2 Set the dryer timer and temperature to air fluff (cool down) and start the dryer.
- 3 Read the measurement on the manometer.
- 4 The system back pressure **MUST NOT** be higher than 0.75 inches of water column. If the system back pressure is less than 0.75 inches of water column, the system is acceptable. If the manometer reading is higher than .075 inches of water column, the system is too restrictive and the installation is unacceptable.

Although vertical orientation of the exhaust system is acceptable, certain extenuating circumstances could affect the performance of the dryer:

- Only rigid metal duct work should be used.
- Venting vertically through a roof may expose the exhaust system to down drafts causing an increase in vent restriction.
- Running the exhaust system through an uninsulated area may cause condensation and faster accumulation of lint.
- Compression or crimping of the exhaust system will cause an increase in vent restriction.
- The exhaust system should be inspected and cleaned a minimum of every 18 months with normal usage. The more the dryer is used, the more often you should check the exhaust system and vent hood for proper operation.

Exhaust direction

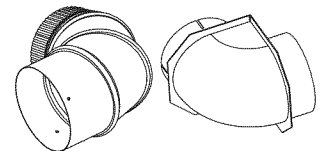
Directional exhausting can be accomplished by installing a quick-turn 90° dryer vent elbow directly to exhaust outlet of dryer. Dryer vent elbows are available through your local parts distributor or hardware store.



See also *Clearance Requirements* on the next page.

NOTE

Use of 90° quick-turn elbow is required to meet minimum installation depth of free-standing dryer.



INSTALLATION REQUIREMENTS

Manufactured or mobile home installation

- 1 Installation MUST conform to current Manufactured Home Construction & Safety Standard, Title 24 CFR, Part 32-80 (formerly the Federal Standard for Mobile Home Construction and Safety, Title 24, HUD Part 280) or Standard CAN/CSAZ240 MH.
- 2 Dryer MUST be exhausted outside (outdoors, not beneath the mobile home) using metal ducting that will not support combustion. Metal ducting must be 4 inches (10.16 cm) in diameter with no obstructions. Rigid metal duct is preferred.
- 3 If dryer is exhausted through the floor and area beneath the mobile home is enclosed, the exhaust system MUST terminate outside the enclosure with the termination securely fastened to the mobile home structure.
- 4 Refer to previous sections in this guide for other important exhaust venting system requirements.
- 5 When installing a gas dryer into a mobile home, a provision must be made for outside make up air. This provision is to be not less than twice the area of the dryer exhaust outlet.
- 6 Installer MUST anchor this (1) dryer or (2) dryer mounted on pedestal to the floor with approved Mobile Home Installation Kit - P/N 137067200.

Clearance requirements



WARNING

EXPLOSION HAZARD

Do not install the dryer where gasoline or other flammables are kept or stored. If the dryer is installed in a garage, it must be a minimum of 18 inches (45.7 cm) above the floor. Failure to do so can result in death, explosion, fire or burns.



IMPORTANT

DO NOT INSTALL YOUR DRYER:

- 1 In an area exposed to dripping water or outside weather conditions.
- 2 In an area where it will come in contact with curtains, drapes, or anything that will obstruct the flow of combustion and ventilation air.
- 3 On carpet. Floor MUST be solid with a maximum slope of 1 inch (2.5 cm).

INSTALLATION REQUIREMENTS

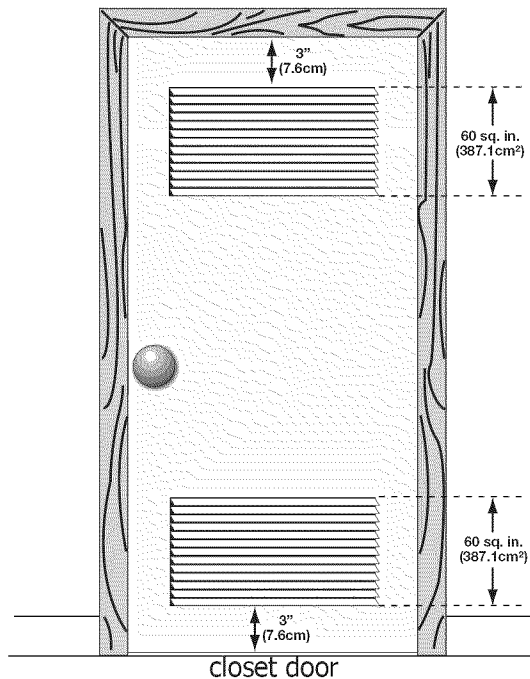
Clearance requirements, continued

Installation in a Recess or Closet

- 1 A dryer installed in a bedroom, bathroom, recess or closet, **MUST** be exhausted outdoors.
- 2 No other fuel burning appliance shall be installed in the same closet as the gas dryer.
- 3 Your dryer needs the space around it for proper ventilation.

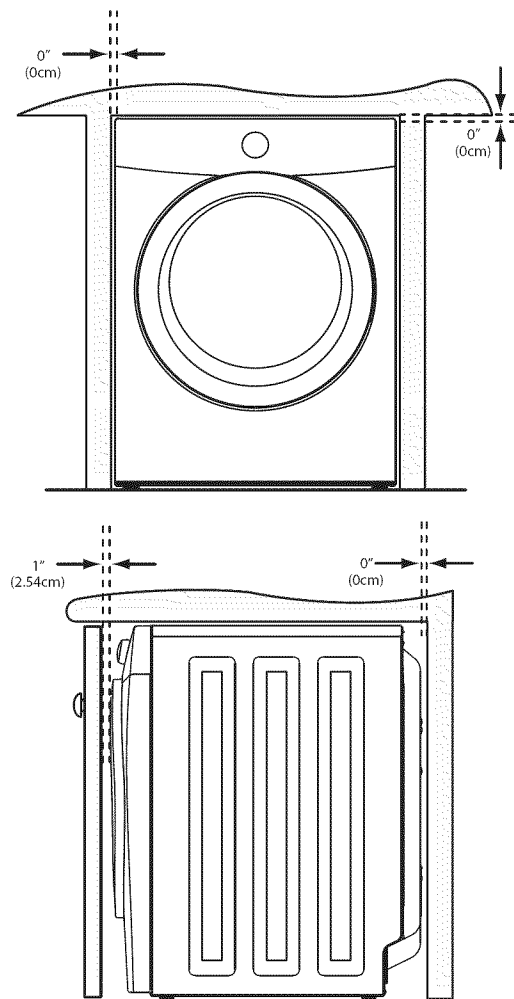
DO NOT install your dryer in a closet with a solid door.

- 4 Closet door ventilation required: A minimum of 120 square inches (774.2 cm²) of opening, equally divided at the top and bottom of the door, is required. Openings should be located 3 inches (7.6 cm) from bottom and top of door. Openings are required to be unobstructed when a door is installed. A louvered door with equivalent air openings for the full length of the door is acceptable.



MINIMUM INSTALLATION CLEARANCES - Inches (cm)				
	SIDES	REAR	TOP	FRONT
Alcove	0" (0 cm)	0" (0 cm)*	0" (0 cm)	n/a
Under-Counter	0" (0 cm)	0" (0 cm)*	0" (0 cm)	n/a
Closet	0" (0 cm)	0" (0 cm)*	0" (0 cm)	1" (2.5 cm)

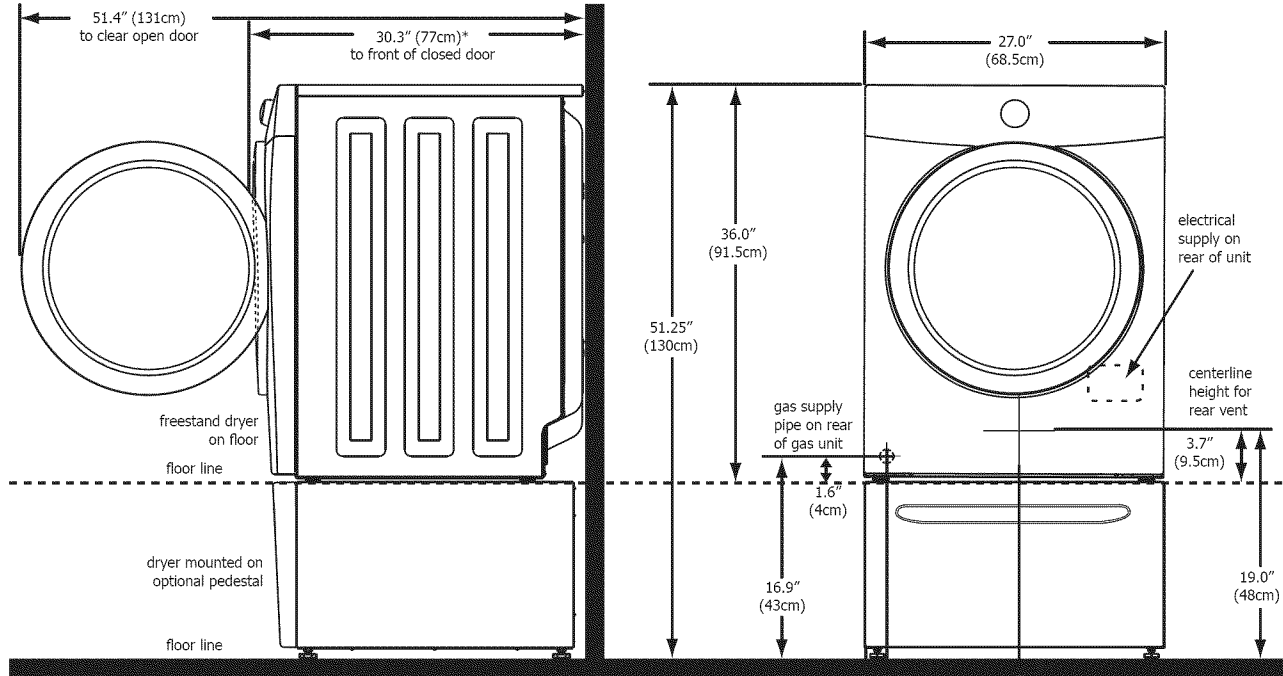
* For other than straight back venting, a quick-turn 90° dryer vent elbow (vented right or down in free-standing dryer or right on pedestal-mounted dryer) must be installed to achieve 0" (0 cm) installation.



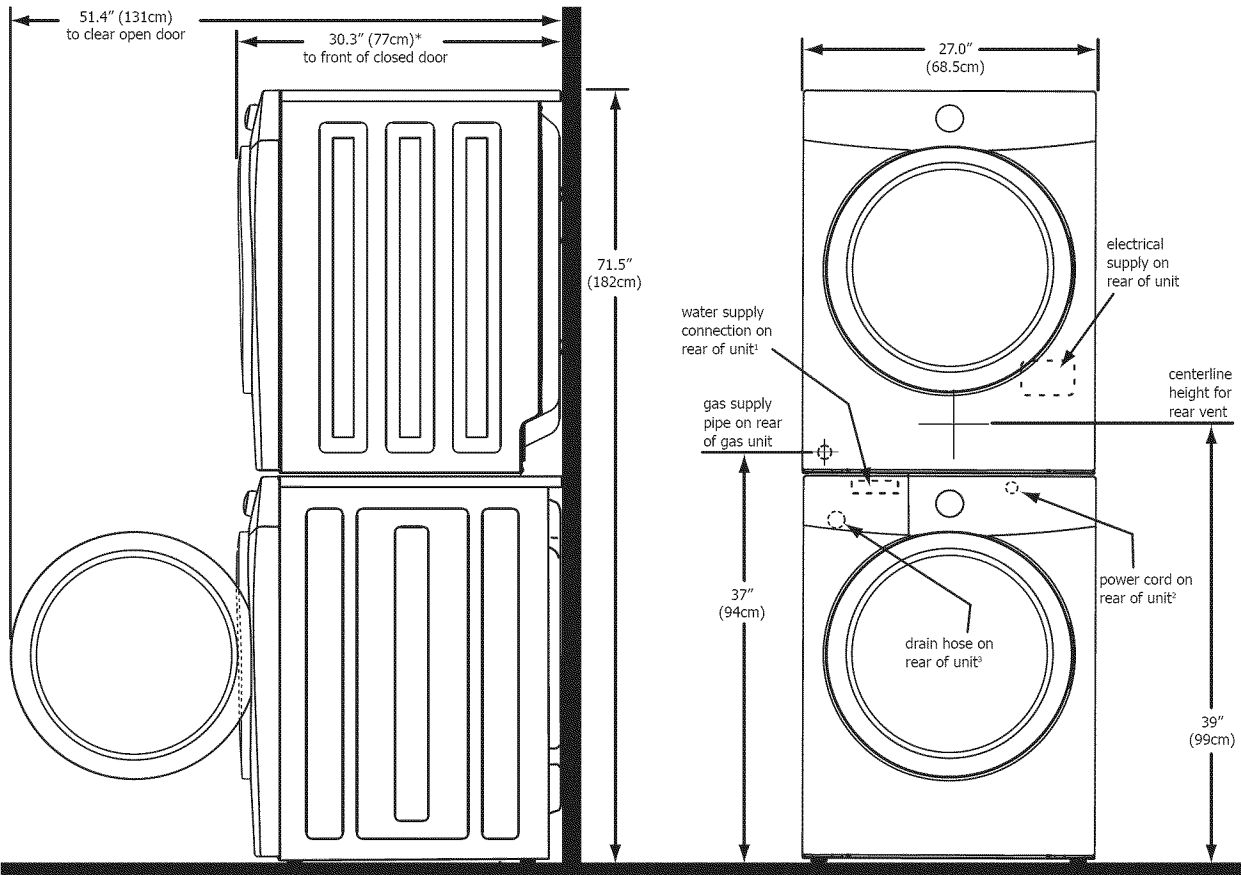
NOTE

To achieve an installation with 0" (0 cm) clearance for the back of the dryer (for other than straight back venting), a quick-turn 90° dryer vent elbow must be installed as described previously in this manual.

INSTALLED DIMENSIONS



* To obtain these minimal depth dimensions, dryer must be vented straight back. Using a quick-turn 90° elbow (right or down on freestanding dryer) adds approximately 0.75 in. (2.0 cm) to installation depth. Upward venting of exhaust on pedestal-mounted or freestanding dryer adds approximately 4 in. (10.2 cm) to installation depth. Leftward venting on pedestal-mounted or freestanding dryer adds approximately 3.75 in. (9.5 cm) to installation depth. Downward venting of exhaust on pedestal-mounted dryer adds approximately 2.25 in. (5.7 cm) to installation depth.



* To obtain these minimal depth dimensions, dryer must be vented straight back. Using a quick-turn 90° elbow (right) adds approximately 0.75 in. (2 cm) to installation depth. Upward venting of exhaust on stacked dryer adds approximately 4 in. (10.2 cm) to installation depth. Downward venting of exhaust on stacked dryer adds approximately 2.25 in. (6.5 cm) to installation depth. Leftward venting of exhaust on stacked dryer adds approximately 3.75 in. (9.5 cm) to installation depth.

¹Hot and cold inlet hose length approximately 43 inches (109cm)

²Power supply cord length approximately 60 inches (152.5cm).

³Drain hose length approximately 52 inches (132cm).

INSTALLATION INSTRUCTIONS

Electrical installation

The following are specific requirements for proper and safe electrical installation of your dryer. Failure to follow these instructions can create electrical shock and/or a fire hazard.

WARNING

ELECTRICAL SHOCK HAZARD

- This appliance **MUST** be properly grounded. Electrical shock can result if the dryer is not properly grounded. Follow the instructions in this manual for proper grounding.
- Do not use an extension cord with this dryer. Some extension cords are not designed to withstand the amounts of electrical current this dryer utilizes and can melt, creating electrical shock and/or fire hazard. Locate the dryer within reach of the receptacle for the length power cord to be purchased, allowing some slack in the cord. Refer to the pre-installation requirements in this manual for the proper power cord to be purchased.

WARNING

ELECTRICAL SHOCK HAZARD

- A U.L.-approved strain relief must be installed onto power cord. If the strain relief is not attached, the cord can be pulled out of the dryer and can be cut by any movement of the cord, resulting in electrical shock.
- Do not use an aluminum wired receptacle with a copper wired power cord and plug (or vice versa). A chemical reaction occurs between copper and aluminum and can cause electrical shorts. The proper wiring and receptacle is a copper wired power cord with a copper wired receptacle.

NOTE

Dryers operating on 208 volt power supply will have longer drying times than dryers operating on 240 volt power supply.

Grounding requirements - Electric dryer (USA)

WARNING

ELECTRICAL SHOCK HAZARD

Improper connection of the equipment grounding conductor can result in a risk of electrical shock. Check with a licensed electrician if you are in doubt as to whether the appliance is properly grounded.

For a grounded, cord-connected dryer:

- 1 The dryer **MUST** be grounded. In the event of a malfunction or breakdown, grounding will reduce the risk of electrical shock by a path of least resistance for electrical current.
- 2 After you purchase and install a 3 wire or 4 wire power supply cord having an equipment-grounding conductor and a grounding plug that matches you

wiring system, the plug **MUST** be plugged into an appropriate, copper wired receptacle that is properly installed and grounded in accordance with all local codes and ordinances. If in doubt, call a licensed electrician.

- 3 **DO NOT** modify the plug you've installed on this appliance. If it will not fit the outlet, have a proper outlet installed by a qualified electrician.

For a permanently connected dryer:

- 1 The dryer **MUST** be connected to a grounded metal, permanent wiring system; or an equipment grounding conductor must be run with the circuit conductors and connected to the equipment-grounding terminal or lead on the appliance.

Grounding requirements - Electric dryer (Canada)

WARNING

ELECTRICAL SHOCK HAZARD

Improper connection of the equipment grounding conductor can result in a risk of electrical shock. Check with a licensed electrician if you are in doubt as to whether the appliance is properly grounded.

For a grounded, cord-connected dryer:

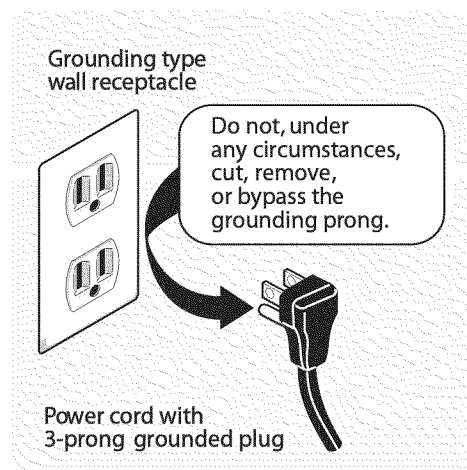
- 1 The dryer **MUST** be grounded. In the event of a malfunction or breakdown, grounding will reduce

the risk of electrical shock by a path of least resistance for electrical current.

- 2 Since your dryer is equipped with a power supply cord having an equipment-grounding conductor and a grounding plug, the plug must be plugged into an appropriate outlet that is properly installed and grounded in accordance with all local codes and ordinances. If in doubt, call a licensed electrician.
- 3 **DO NOT** modify the plug provided with this appliance. If it will not fit the outlet, have a proper outlet installed by a qualified electrician.

Grounding requirements - Gas dryer (USA and Canada)

- 1 The dryer is equipped with a three-prong (grounding) plug for your protection against shock hazard and should be plugged directly into a properly grounded three-prong receptacle.
- 2 The plug must be plugged into an appropriate outlet that is properly installed and grounded in accordance with all local codes and ordinances. If in doubt, call a licensed electrician.
- 3 **DO NOT** modify the plug provided with this appliance. If it will not fit the outlet, have a proper outlet installed by a qualified electrician.



INSTALLATION INSTRUCTIONS

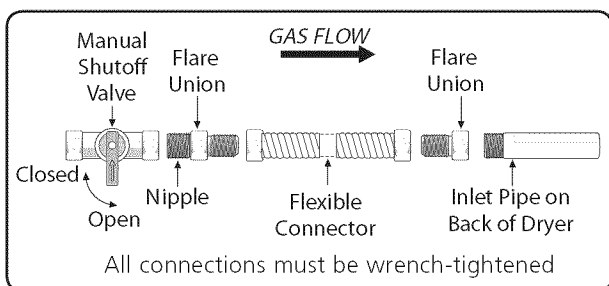
Gas connection

- 1 Remove the shipping cap from gas pipe at the rear of the dryer.

➔ IMPORTANT

DO NOT connect the dryer to L.P. gas service without converting the gas valve. An L.P. conversion kit must be installed by a qualified gas technician.

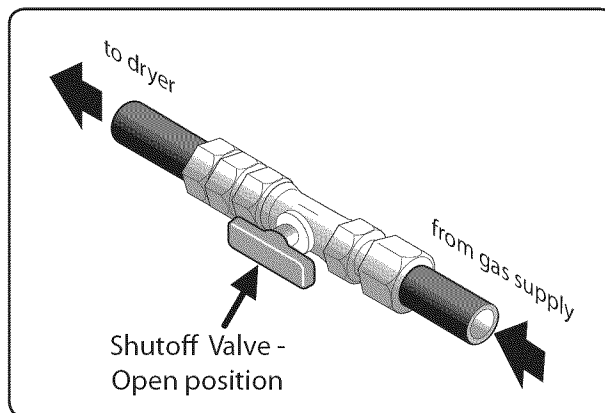
- 2 Connect a 1/2 inch (1.27 cm) I.D. semi-rigid or approved pipe from gas supply line to the 3/8 inch (0.96 cm) pipe located on the back of the dryer. Use a 1/2 inch to 3/8 inch (1.27 cm to 0.96 cm) reducer for the connection. Apply an approved thread sealer that is resistant to the corrosive action of liquefied gases on all pipe connections.



➔ IMPORTANT

The supply line must be equipped with an approved manual shutoff valve. This valve should be located in the same room as the dryer and should be in a location that allows ease of opening and closing. Do not block access to the gas shutoff valve.

- 3 Open the shutoff valve in the gas supply line to allow gas to flow through the pipe. Wait a few minutes for gas to move through the gas line.



- 4 Check for gas system leaks with a manometer. If a manometer is not available, test all connections by brushing on a soapy water solution.

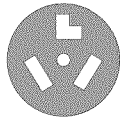
⚠ WARNING

EXPLOSION HAZARD

NEVER test for gas leaks with an open flame.

INSTALLATION INSTRUCTIONS

Electrical connection (non-Canada) - 3 wire cord



3-wire receptacle
(NEMA type 10-30R)

WARNING

ELECTRICAL SHOCK HAZARD

Failure to disconnect power source before servicing could result in personal injury or even death.

- 1 Turn off power supply to outlet.
- 2 Remove the screw securing the terminal block access cover in the lower corner on the back of the dryer.
- 3 Install a UL-approved strain relief according to the power cord/strain relief manufacturer's instructions in the power cord entry hole below the access panel. At this time, the strain relief should be loosely in place.
- 4 Thread an UNPLUGGED, UL-approved, 30 amp. power cord, NEMA 10-30 type SRDT, through the strain relief.
- 5 Attach the power cord neutral (center wire) conductor to the SILVER colored center terminal on the terminal block. Tighten the screw securely.
- 6 Attach the remaining two power cord outer conductors to the outer, BRASS colored terminals on the terminal block. Tighten both screws securely.

WARNING

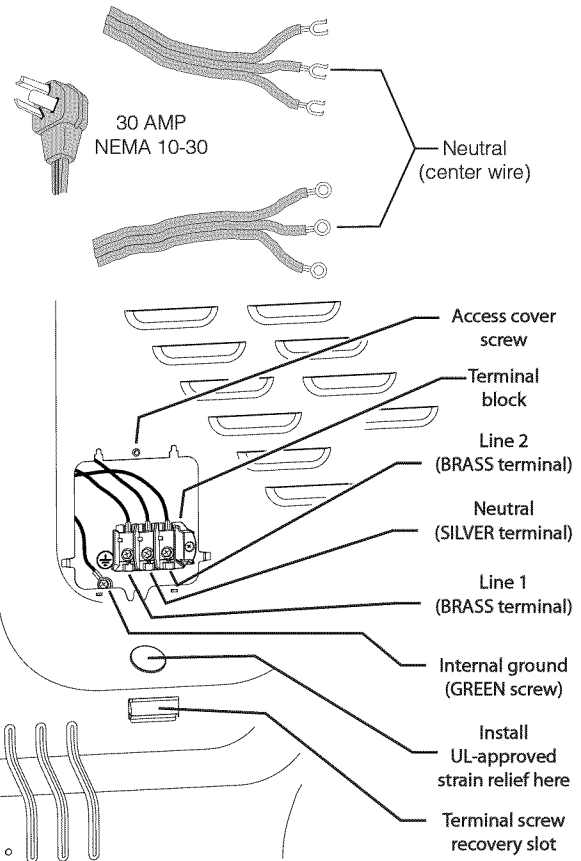
ELECTRICAL SHOCK HAZARD

Do not make a sharp bend or crimp wiring/conductor at connections.

- 7 Follow manufacturer's guidelines for firmly securing the strain relief and power cord.
- 8 Reinstall the terminal block cover.

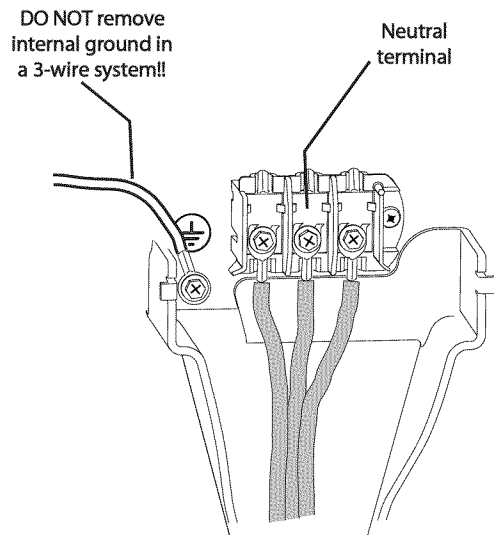
IMPORTANT

If moving dryer from a 4-wire system and installing it in a 3-wire system, move the internal ground from the center terminal back to the GREEN screw next to the terminal block.



NOTE

If a terminal screw falls during cord installation, it can be retrieved in the terminal screw recovery slot below the access panel.



INSTALLATION INSTRUCTIONS

Electrical connection (non-Canada) - 4 wire cord



4-wire receptacle
(NEMA type 14-30R)



WARNING

ELECTRICAL SHOCK HAZARD

Failure to disconnect power source before servicing could result in personal injury or even death.

- 1 Turn off power supply to outlet.
- 2 Remove the screw securing the terminal block access cover in the lower corner on the back of the dryer.
- 3 Install a UL-approved strain relief according to the power cord/strain relief manufacturer's instructions in the power cord entry hole below the access panel. At this time, the strain relief should be loosely in place.
- 4 Thread an UNPLUGGED, UL-approved, 30 amp. power cord, NEMA 14-30 type ST or SRDT, through the strain relief.
- 5 Disconnect the internal (WHITE) dryer harness ground wire from the (GREEN) ground screw next to the terminal block.
- 6 Attach the ground (GREEN) power cord wire to the cabinet with the ground (GREEN) screw. Tighten the screw securely.
- 7 Move the internal dryer harness ground (WHITE) wire to the terminal block and attach it along with the neutral (WHITE) power cord wire conductor to the center, SILVER colored terminal on the terminal block. Tighten the screw securely.
- 8 Attach the RED and BLACK power cord conductors to the outer, BRASS colored terminals on the terminal block. Tighten both screws securely.

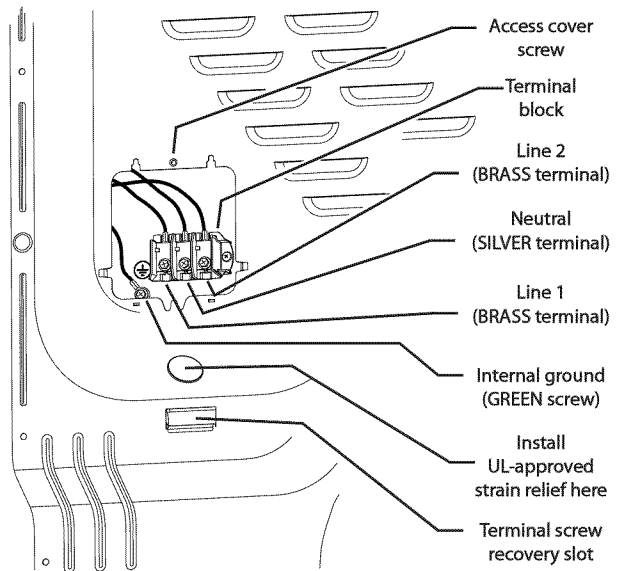
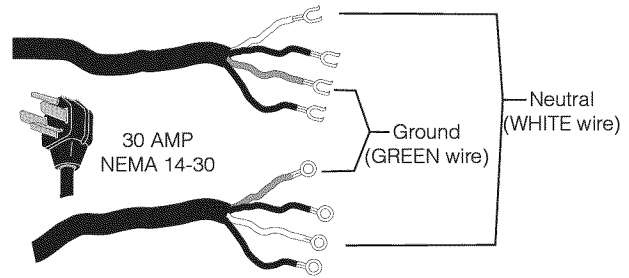


WARNING

ELECTRICAL SHOCK HAZARD

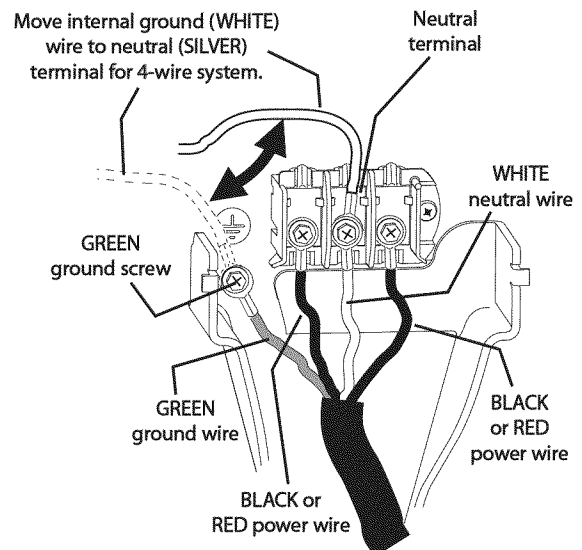
Do not make a sharp bend or crimp wiring/conductor at connections.

- 9 Follow manufacturer's guidelines for firmly securing the strain relief and power cord.
- 10 Reinstall the terminal block cover.



NOTE

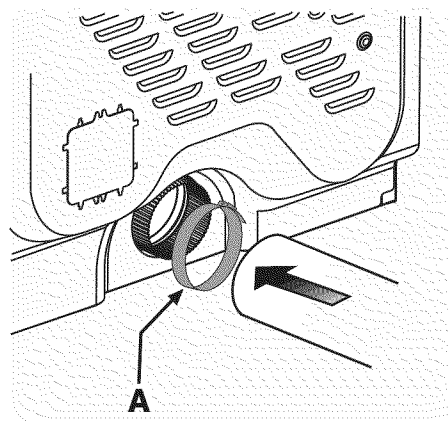
If a terminal screw falls during cord installation, it can be retrieved in the terminal screw recovery slot below the access panel.



INSTALLATION INSTRUCTIONS

General installation

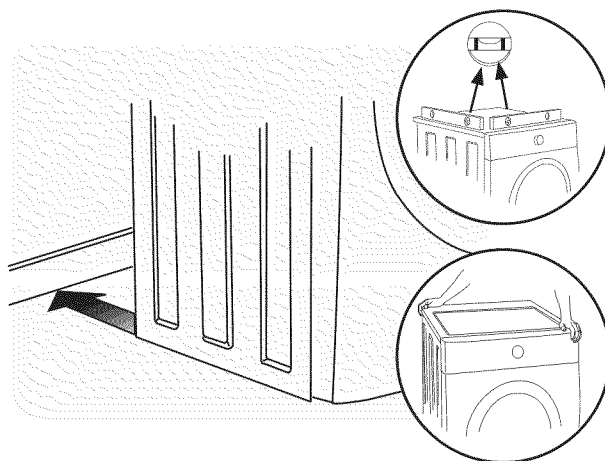
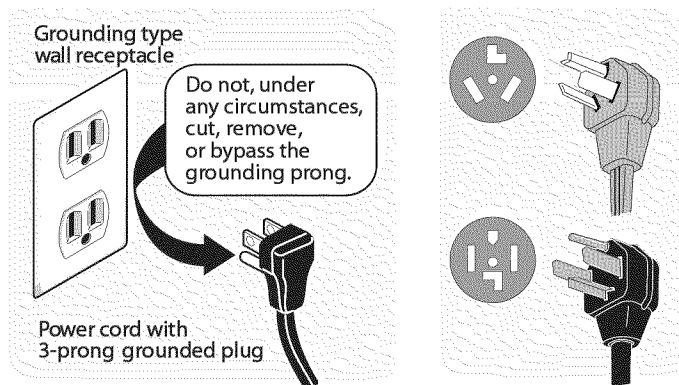
- 1 Connect the exhaust duct to the outside exhaust system. Use of a 4" (102 mm) clamp (item A) is recommended to connect the dryer to the exhaust vent system. Use metal foil tape to seal all other joints.
- 2 Use a carpenter's level to level your dryer front-to-back and side-to-side.
- 3 Use adjustable pliers to adjust the leveling legs so the dryer is level front-to-rear and side-to-side, and stable corner-to-corner.
- 4 Press down on alternate corners and sides and feel for the slightest movement. Adjust the appropriate leg(s) so the dryer sits solidly on the floor on ALL four legs. Keep the leveling leg extension at a minimum for best performance of the dryer.



▶ IMPORTANT

Be sure the power is off at a circuit breaker/fuse box before plugging the power cord into an outlet.

- 5 Plug the power cord into a grounded outlet.



- 6 Turn on the power at the circuit breaker/fuse box.
- 7 Read the Use & Care Guide provided with the dryer. It contains valuable and helpful information that will save you time and money.
- 8 If you have any questions during initial operation, please review the "Avoid Service Checklist" in your Use & Care Guide before calling for service.
- 9 Place these instructions in a location near the dryer for future reference.

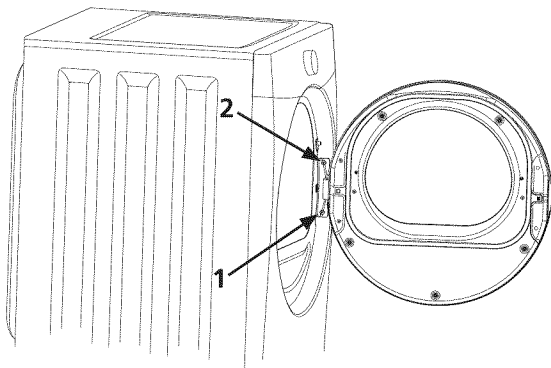
📌 NOTE

A wiring diagram and technical data sheet are located inside the dryer console.

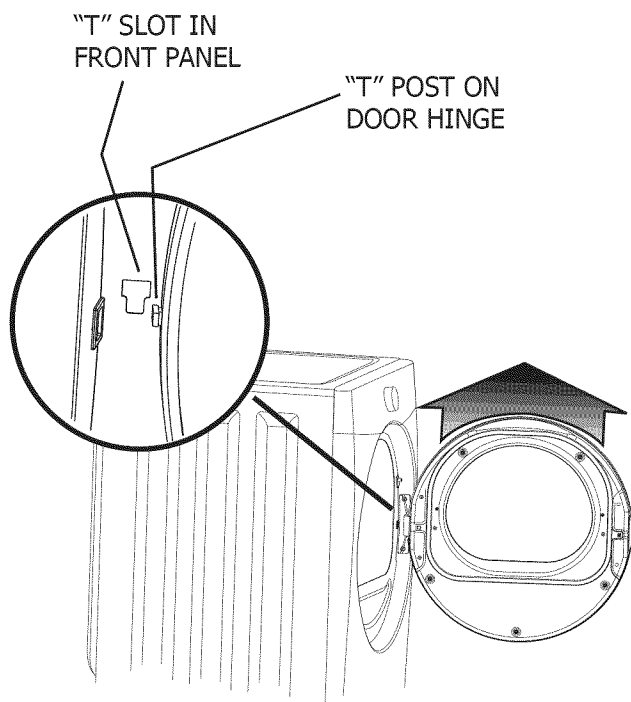
REVERSING DOOR

Removing the door

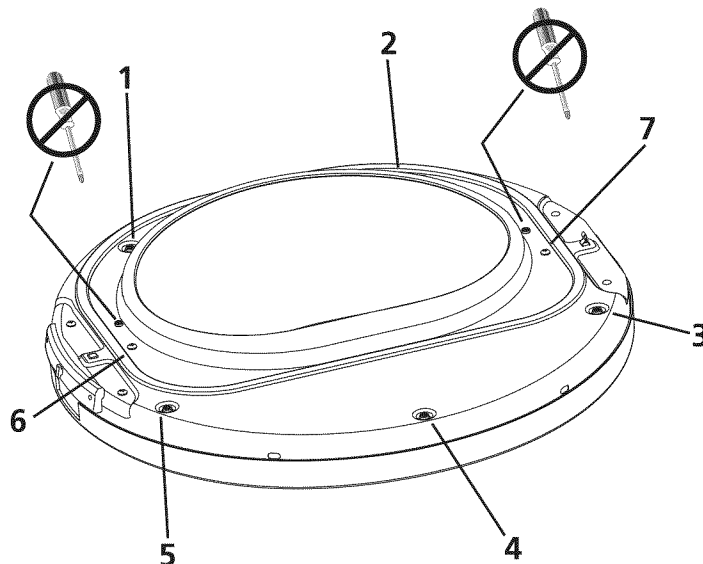
- 1 Protect flat work surface, such as top of dryer or floor near dryer, with a soft cloth or towel.
- 2 Open dryer door and remove the two hinge screws. Remove lower screw first, then upper screw.



- 3 Supporting door with both hands, squarely lift door and hinge upward approximately 3/8" (10 mm) so "T" post on back of hinge can slide out through "T" slot on front panel.



- 4 Gently place dryer door face down on flat, covered work surface.
- 5 Locate the 5 indented head screws (no. 1-5) in the small, circular recesses (at 11, 1, 4, 6, and 8 o'clock positions) of the inner door. Remove and save these 5 screws.



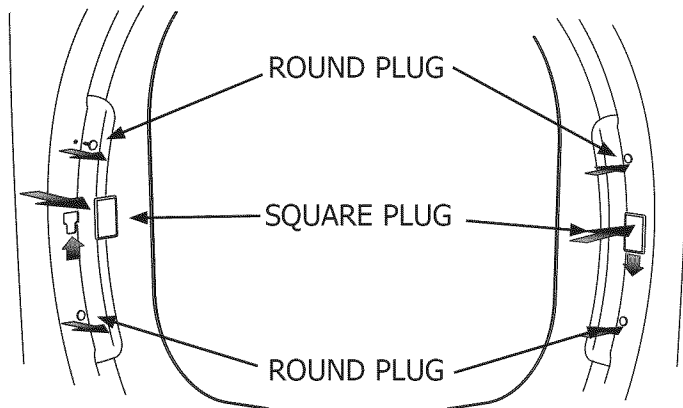
➔ IMPORTANT

Do not attempt to remove the 2 "tamper-resistant" screws that hold the inner glass in place.

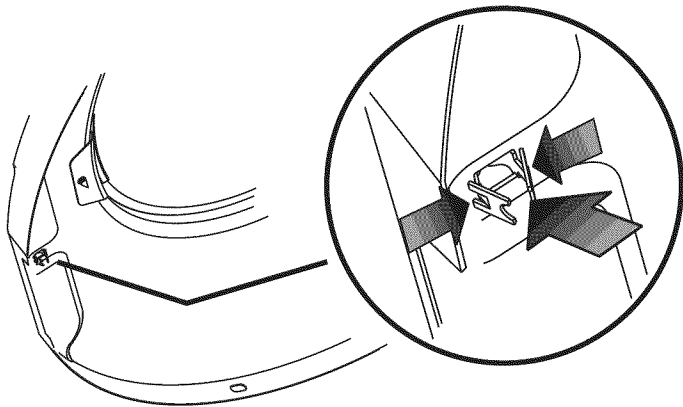
- 6 Locate the 2 pan head screws (no. 6-7) on the inner door nearest the metal strike and center of hinge (9 and 3 o'clock positions). Remove and save these 2 screws.
- 7 Separate inner door assembly from outer door assembly.

Reversing the hinge

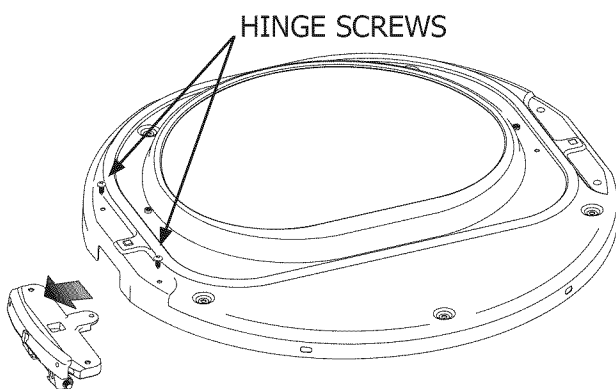
- 1 Carefully pull out the 2 small round hole plugs from the front panel and save. Remove and save the square "T" slot cover by sliding it up and pulling it out. Move all 3 plugs to the opposite side of the front panel and insert.



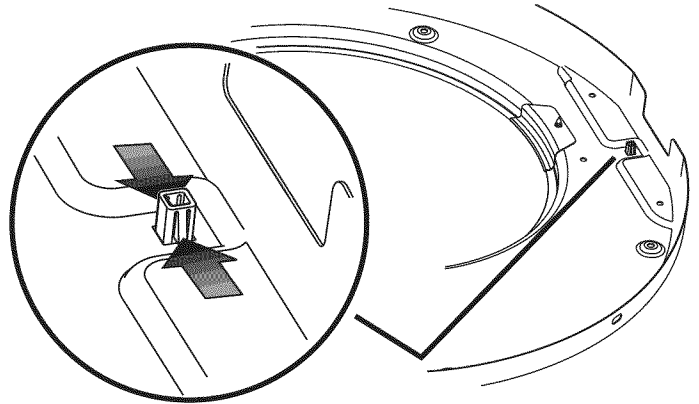
- 2 Turn inner door assembly over to expose retaining tabs of metal strike. Grip tabs fully with pliers to remove. Discard old metal strike.



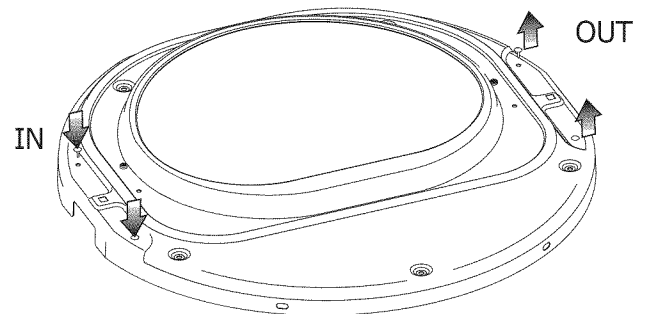
- 3 Turn the inner door assembly back over and locate the 2 pan head hinge screws. Remove and save the 2 screws and separate the hinge from inner door assembly.



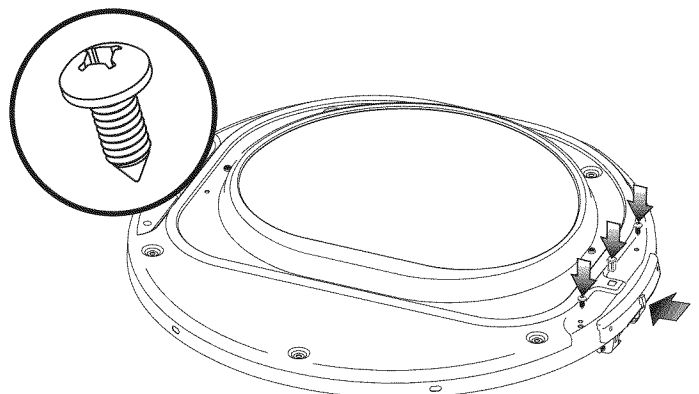
- 4 From the back side of the inner door, pinch the retaining tabs of the plastic square plug to release it. Save square plug for reinstallation.



- 5 Carefully remove the 2 round plugs from the inner door and move them to the opposite holes and reinstall.



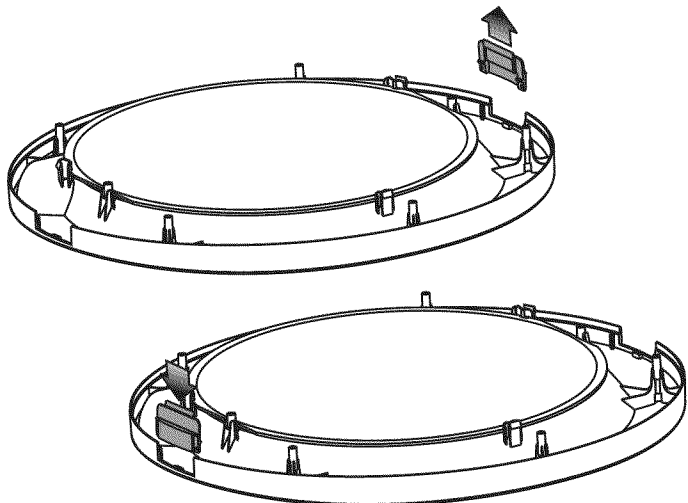
- 6 Rotate the hinge and move it to the opposite side of the inner door. Attach it with the 2 pan head screws removed previously. Reinstall plastic plug in the square hole next to the hinge.



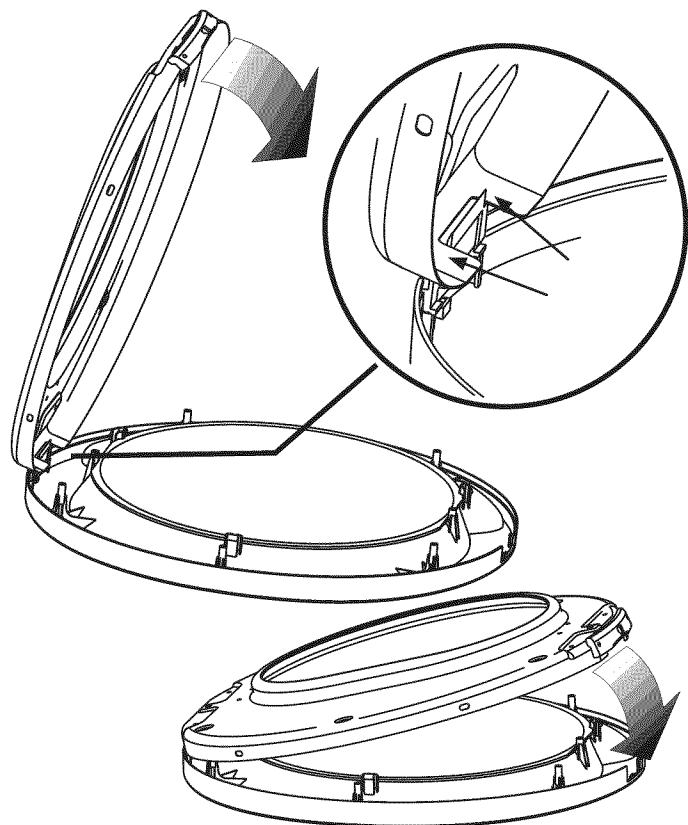
REVERSING DOOR

Reassembling the door

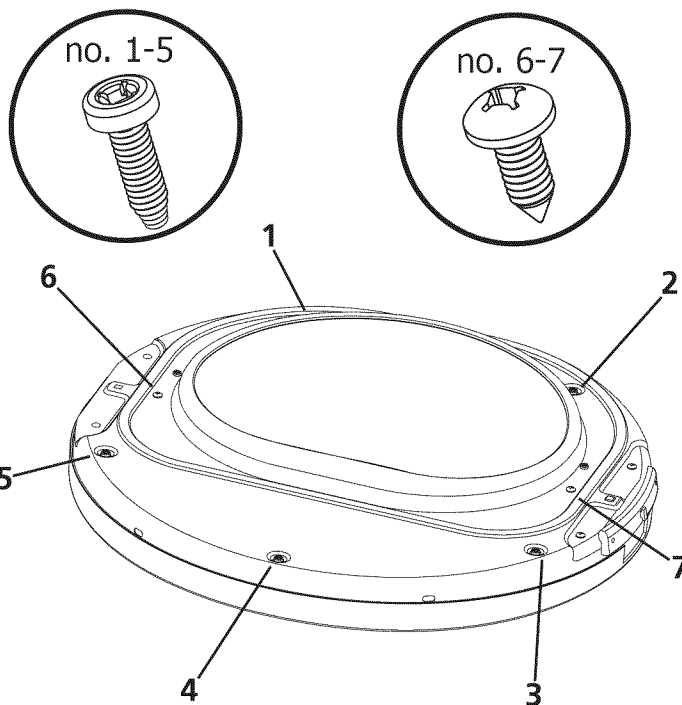
- 1 Locate and remove the hinge cutout gate from the outer door assembly. Rotate and move it to the opposite hole in the outer door.



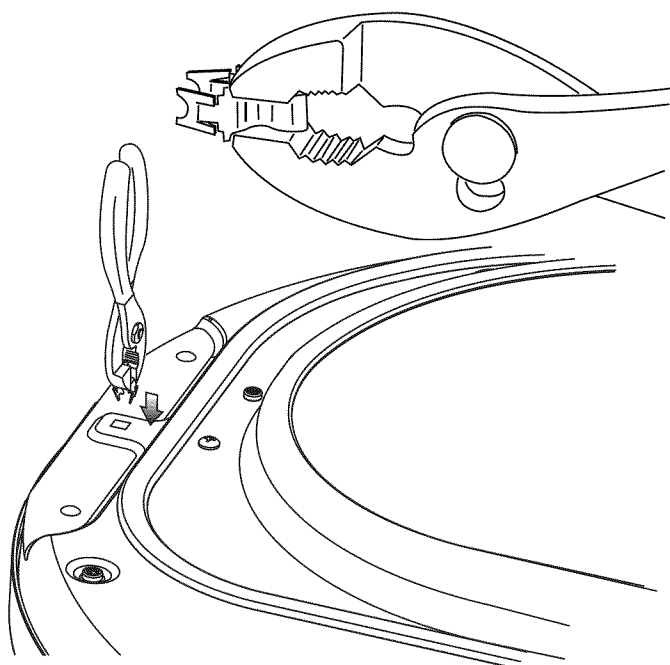
- 2 Rest the opening of the inner door at a 90 degree angle on the "shoulders" of the hinge cutout gate. Pivot the inner door down onto the outer door.



- 3 Replace indented head screws (no. 1-5) removed earlier. Take care not to strip out the plastic holes.
- 4 Replace pan head screws (no. 6-7) removed earlier. Take care not to strip out the plastic holes.

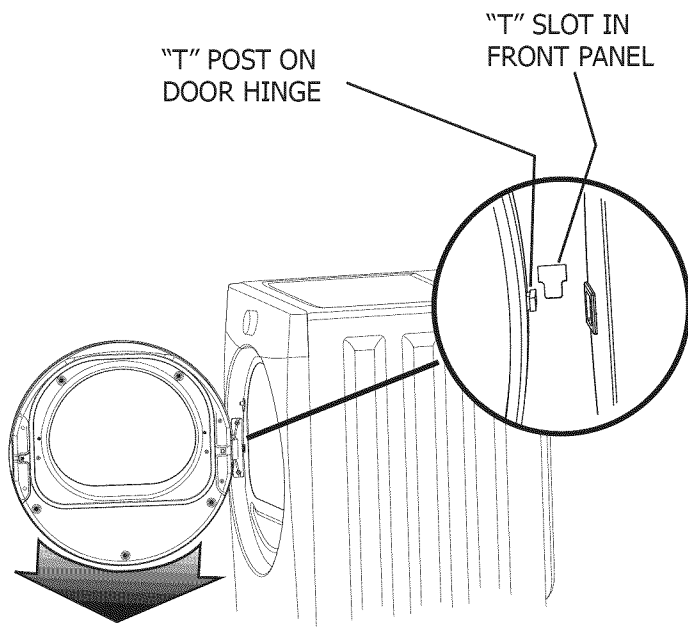


- 5 Locate new metal strike supplied with dryer manuals. Grip new strike with pliers as shown below. Firmly insert the strike so it is oriented vertically.

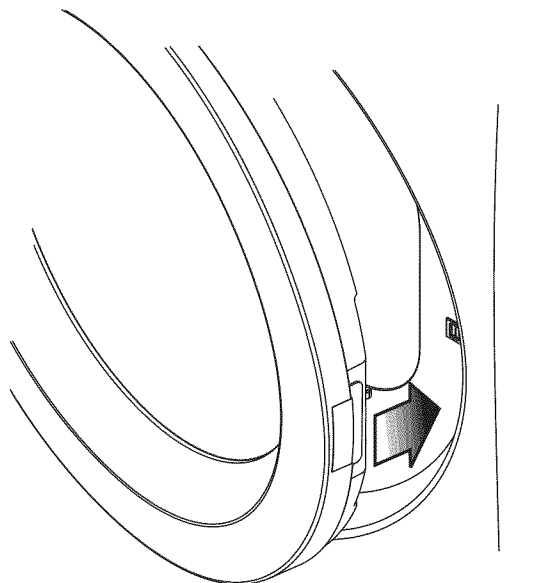


Reattaching the door

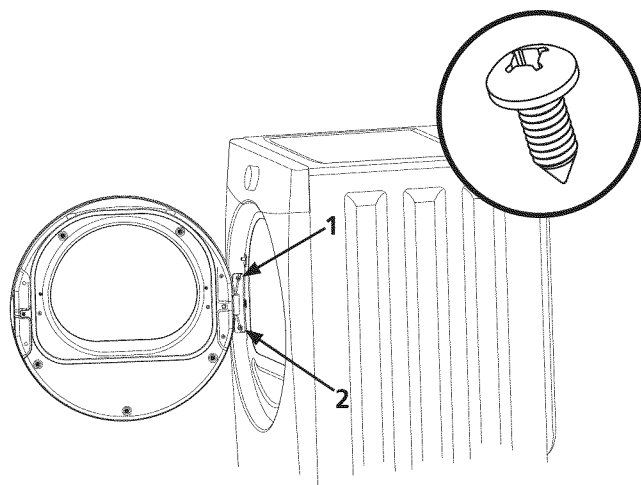
- 1 Holding the door in both hands, squarely insert the "T" post on the back of the hinge into the "T" slot on the front panel and lower it to align the mounting holes.



- 3 Close the door and test operation of hinge, strike and latch.



- 2 While supporting the door, install the upper pan head screw first and then the lower one.



NOTE

Correctly installed hinge screws will press hinge flush to front panel. Any gap between hinge and front panel will cause misalignment of strike to latch.

ACCESSORIES

MATCHING STORAGE PEDESTAL*

Classic White Pedestal - P/N CFPWD15W
Classic Blue Pedestal - P/N CFPWD15N
Classic Red Pedestal - P/N CFPWD15R
Classic Silver Pedestal - P/N CFPWD15A
Classic Black Pedestal - P/N CFPWD15B

A storage pedestal accessory, specifically designed for this dryer may be used to elevate the dryer for ease of use. This pedestal will add about 15" (38 cm) to the height of your unit for a total height of 51.25" (130 cm).

*Other colors may be available. Contact the source where you purchased your dryer.

DRYER STACKING KIT

P/N STACKIT4X

Depending on the model you purchased, a kit for stacking this dryer on top of matching washer may have been included in the initial purchase of your dryer. If your model did not include a stacking kit or you desire another stacking kit, you may order one.

LP CONVERSION KIT

P/N PCK4200

Gas dryers intended for use in a location supplied with LP must use a conversion kit prior to installation.

MOBILE HOME INSTALLATION KIT

P/N 137067200

Installation in a mobile home requires the use of a MOBILE HOME INSTALLATION KIT.

DRYING RACK

P/N 137067300

Depending on the model you purchased, a drying rack may have been included in the initial purchase of your dryer. If your model did not include a drying rack or you desire another drying rack, you may order one.

UNIVERSAL APPLIANCE WRENCH

P/N 137019200

A UNIVERSAL APPLIANCE WRENCH is available to aid in dryer/washer/pedestal feet adjustment.

TOUCH UP PAINT PENS*

Classic White Touch Up Pen - P/N 5304468812
Classic Red Touch Up Pen - P/N 5304471227
Classic Blue Touch Up Pen - P/N 5304471229
Classic Silver Touch Up Pen - P/N 5304471228
Classic Black Touch Up Pen - P/N 5304458932

*Other colors may be available. Contact the source where you purchased your dryer.

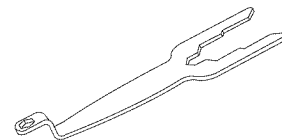
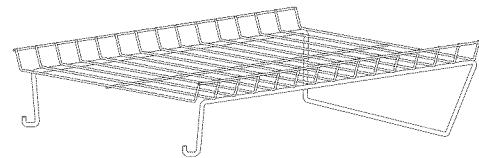
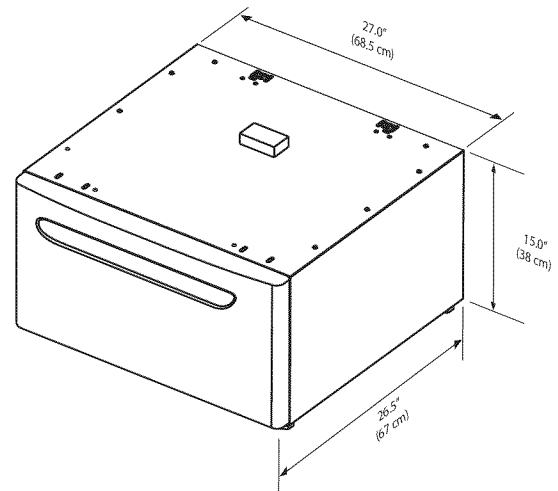
Replacement parts:

If replacement parts are needed for your dryer, contact the source where you purchased your washer or refer to your *Use and Care Guide* for more information.



CAUTION

Failure to use accessories manufactured by (or approved by) the manufacturer could result in personal injury, property damage or damage to the dryer.



WARNING

ELECTRICAL SHOCK HAZARD

Label all wires prior to disconnection when servicing controls. Wiring errors can cause improper and dangerous operation. Verify proper operation after servicing.

Tout à propos de

Installation

de votre Sécheuse

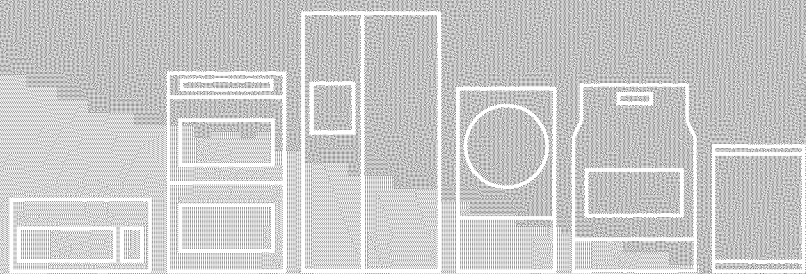


TABLE DES MATIÈRES

Mesures de sécurité importantes	24-25	Instructions d'installation	34-39
Exigences d'installation	26-32	Inversion de la porte	40-43
Dimensions, appareil installé	33	Accessoires	44

MESURES DE SÉCURITÉ IMPORTANTES



AVERTISSEMENT

Pour votre sécurité, l'information contenue dans ces instructions doit être suivie afin de réduire les risques d'incendie ou d'explosion ou pour prévenir les dommages matériels, les blessures ou la mort. Vous ne devez ni entreposer, ni utiliser d'essence ou d'autres vapeurs ou liquides inflammables à proximité de cet appareil ou de tout autre appareil électroménager.

AVERTISSEMENT - RISQUE D'INCENDIE

Lisez toutes les instructions de sécurité suivantes avant d'installer et d'utiliser votre appareil :

- Détruisez le carton d'emballage et les sacs en plastique après avoir déballé l'appareil. Les enfants pourraient les utiliser pour jouer. Le carton recouvert de tapis, les couvertures et les feuilles de plastique peuvent être étanches à l'air et provoquer la suffocation. Déposez tous les matériaux d'emballage dans un conteneur à déchets ou faites en sorte que les enfants ne puissent y avoir accès.
- L'installation et l'entretien de cette sècheuse doivent être réalisés par un installateur qualifié, un technicien de service ou le fournisseur de gaz.
- Installez l'appareil conformément aux instructions du fabricant et aux codes locaux.
- L'installation électrique de la sècheuse doit être conforme aux codes et aux règlements locaux ainsi qu'à la toute dernière édition du National Electrical Code (ANSI/NFPA 70), ou au Canada, au Code canadien de l'électricité (C22.1, article 1).
- L'installation de gaz de la sècheuse doit être conforme aux codes et aux règlements locaux ainsi qu'à la toute dernière édition du Fuel Gas Code (ANSI Z223.1), ou au Canada, au CAN/ACG B149.1-2000. Un robinet d'arrêt manuel distinct doit être installé à moins de 1,83 m (6 pi) de la sècheuse conformément au National Fuel Gas Code, ANSI Z223.1/NFPA 54.
- La sècheuse est classée, en vertu des règlements ANSI Z 21.5.1 ou ANSI/UL 2158 - CAN/CSA C22.2 N° 112 (dernières versions), pour un USAGE DOMESTIQUE uniquement. Il n'est pas recommandé d'utiliser cette sècheuse pour des usages commerciaux, comme des restaurants, des salons de coiffure, etc.
- N'installez pas une sècheuse avec du matériel d'évacuation en plastique ou en feuille métallique flexible. Le matériel de ventilation flexible peut s'écraser facilement et emprisonner la charpie. Ces conditions nuiraient à l'écoulement d'air de votre sècheuse et pourraient accroître le risque d'incendie.
- Ne superposez pas une sècheuse sur une laveuse déjà installée sur un socle. Ne superposez pas une laveuse sur une sècheuse. Ne superposez pas une laveuse sur une autre laveuse. Ne pas empiler les sèche-linge au-dessus de machine à laver sans utilisation du fabricant approuvé et installé correctement kit de superposition correspondant à votre modèle.
- Les instructions comprises dans ce guide et toute autre documentation fournie avec cet appareil ne sont pas conçues pour couvrir toutes les éventualités ou situations qui pourraient survenir. Vous DEVEZ faire preuve de bon sens et de prudence durant l'installation, l'utilisation et l'entretien de tout appareil ménager.

QUE FAIRE SI VOUS DÉTECTEZ UNE ODEUR DE GAZ :

- Ne mettez pas d'appareil en marche.
- Ne touchez à aucun commutateur électrique; n'utilisez aucun téléphone de votre domicile.
- Évacuez la pièce, le bâtiment ou la zone touchée.
- En utilisant le téléphone d'un voisin, appelez immédiatement le fournisseur de gaz. Suivez ses instructions.
- Si vous ne pouvez joindre votre fournisseur de gaz, appelez les pompiers.



ATTENTION

DANGER DE POIDS EXCESSIF

Pour éviter les blessures au dos ou d'autres types de blessure, demandez l'aide d'autres personnes pour déplacer ou soulever la laveuse/sècheuse.

Conservez ces instructions pour vous y reporter ultérieurement.

Exigences avant l'installation

Outils et matériel nécessaires à l'installation :

- Pince réglable
- Tournevis Phillips à pointe plate et à pointe carrée
- Clé à molette
- Clé à tuyau pour l'alimentation en gaz
- Ruban à filetage résistant au GPL (pour l'alimentation en gaz naturel ou en GPL)
- Niveau de charpentier
- Évent extérieur
- Conduit d'évacuation de 102 mm (4 po) en métal rigide ou semi-rigide
- Ensemble pour cordon d'alimentation de 240 V à 3 ou 4 fils (sècheuse électrique)
- Collier de 10,2 cm (4 po)
- Robinet d'arrêt pour conduite de gaz (sècheuse à gaz)
- Deux raccords-unions à évasement de 1/2 po (1,3 cm) NPT et une conduite flexible d'alimentation en gaz (sècheuse à gaz)
- Ruban métallique (et non du ruban à conduits)

MESURES DE SÉCURITÉ IMPORTANTES


AVERTISSEMENT

Veillez lire ces instructions au complet avant d'utiliser le sècheuse.

Sachez reconnaître les symboles, les avertissements et les étiquettes de sécurité.

Les mesures de sécurité présentées dans ce guide sont identifiées par le mot AVERTISSEMENT ou ATTENTION selon le type de risque présenté ci-dessous.

Définitions

 Voici le symbole d'avertissement concernant la sécurité. Il est utilisé pour vous avertir des risques de blessures potentiels. Respectez tous les messages qui suivent ce symbole afin de prévenir les blessures ou la mort.

DANGER

La mention DANGER indique un risque imminent qui causera la mort ou de graves blessures, s'il n'est pas évité.

AVERTISSEMENT

La mention AVERTISSEMENT indique une situation potentiellement dangereuse qui, si elle n'est pas évitée, pourrait entraîner des blessures graves ou même la mort.

ATTENTION

La mention ATTENTION signale la présence d'une situation potentiellement dangereuse susceptible de causer des blessures mineures ou moyennement graves si elle n'est pas évitée.

IMPORTANT

IMPORTANT - Cette mention précède des renseignements importants relatifs à l'installation, au fonctionnement ou à l'entretien. Toutefois, ceux-ci n'impliquent aucune notion de danger.

Liste de vérification d'installation

Conduit d'évacuation

- L'air circule librement, il n'y a aucune accumulation de charpie
- Le conduit rigide ou semi-rigide de 102 mm (4 po) est le plus court et le plus direct possible
- Il n'y a AUCUN matériel de ventilation en papier d'aluminium ou en plastique
- Le système d'échappement doit évacuer l'air à l'extérieur à l'aide d'un évent approuvé

Mise à niveau

- La sècheuse est au niveau latéralement et de l'avant vers l'arrière
- Les quatre coins de la caisse reposent fermement sur le plancher

Alimentation au gaz (sècheuse au gaz)

- Le conduit d'alimentation comporte un robinet d'arrêt manuel
- Tous les raccords sont étanchéifiés à l'aide de joints certifiés serrés avec une clé
- Nécessaire de conversion pour système au GPL
- L'alimentation en gaz est ouverte
- Aucun raccord ne présente de fuite - vérifiez à l'aide d'eau savonneuse, ne faites JAMAIS cette vérification avec une flamme

Alimentation électrique de 240 V (sècheuse électrique)

- Le cordon d'alimentation est certifié NEMA 10-30R ou 14-30R et il est fixé solidement avec toutes les vis dans le bornier
- Un réducteur de tension certifié est installé
- Le couvre-borne est installé avant la première mise en marche

Inversion de la porte

- Suivez les instructions détaillées contenues dans ce guide
- Vérifiez que la charnière et le loquet fonctionnent correctement

Alimentation en électricité

- Le système électrique de la maison est sous tension
- La sècheuse est branchée

Vérifications finales

- Vous avez lu entièrement les **instructions d'installation** et le **Guide d'utilisation et d'entretien**
- La porte se verrouille et le tambour tourne lorsqu'un cycle démarre
- La carte d'enregistrement est envoyée

EXIGENCES D'INSTALLATION

REMARQUE

Étant donné les variations de tension possibles, l'utilisation de cette sècheuse avec une source d'alimentation produite par une génératrice à essence, solaire ou éolienne ou par toute autre source d'alimentation différente de celle fournie par les services publics n'est pas recommandée.

Exigences électriques de la sècheuse électrique:

CIRCUIT - Circuit indépendant de 30 ampères avec fusible temporisé ou disjoncteur de 30 A. Utilisez des circuits indépendants pour la laveuse et la sècheuse. **NE BRANCHEZ PAS** la laveuse et la sècheuse sur le même circuit.

ALIMENTATION ÉLECTRIQUE - Câble monophasé à trois ou quatre fils, 240 volts, 60 Hz; courant alternatif.

IMPORTANT

Cette sècheuse est mise à la terre par le fil d'alimentation neutre, sauf si elle est destinée à la vente au Canada. La mise à la terre par le fil d'alimentation neutre est interdit pour : (1) un nouveau circuit de dérivation, (2) les maisons mobiles, (3) les véhicules récréatifs, et (4) les régions où les codes locaux ne permettent pas la mise à la terre par le fil d'alimentation neutre.

PRISE - Prise NEMA 10-30R ou NEMA 14-30R située de manière à permettre l'accès au cordon d'alimentation lorsque la sècheuse est à sa position de fonctionnement.

CONNEXION DE MISE À LA TERRE - Consultez la rubrique « Exigences de mise à la terre » dans la section d'installation électrique.

TROUSSE DE CORDON D'ALIMENTATION À TROIS FILS
(non fournie)



Prise à 3 alvéoles
(NEMA type 10-30R)

La sècheuse **DOIT** utiliser un cordon d'alimentation à trois fils NEMA 10-30 de type SRDT d'une capacité de 240 volts (c.a.) et d'au moins 30 ampères, avec trois connecteurs ouverts embrochables avec extrémités renversées, ou connecteurs à boucle fermée, spécialement indiqués pour une utilisation avec une sècheuse. Pour les instructions de raccordement du cordon à 3 fils, consultez la section **CONNEXIONS ÉLECTRIQUES POUR UN SYSTÈME À TROIS FILS**.

TROUSSE DE CORDON D'ALIMENTATION À QUATRE FILS
(non fournie)



Prise à 4 alvéoles
(NEMA type 14-30R)

La sècheuse **DOIT** utiliser un cordon d'alimentation à quatre fils NEMA 14-30 de type SRDT d'une capacité de 240 volts (c.a.) et d'au moins 30 ampères, avec quatre connecteurs ouverts embrochables avec extrémités renversées, ou connecteurs à boucle fermée, spécialement indiqués pour une utilisation avec une sècheuse. Pour les instructions de raccordement du cordon à quatre fils, consultez la section **CONNEXIONS ÉLECTRIQUES POUR UN SYSTÈME À QUATRE FILS**.

REMARQUE

Les sècheuses destinées à la vente au Canada sont munies d'un cordon d'alimentation à 4 fils (NEMA 14-30R).

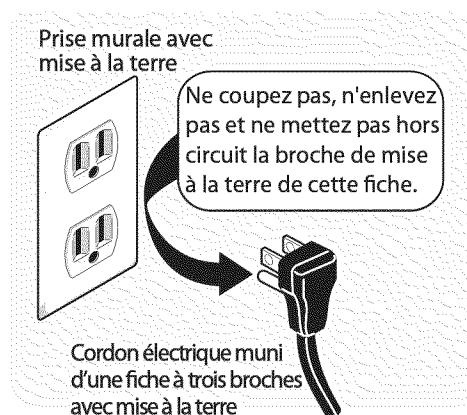
Exigences électriques de la sécheuse à gaz:

CIRCUIT - Circuit indépendant de 15 ampères, polarisé et mis à la terre, avec fusible temporisé ou disjoncteur de 15 A.

ALIMENTATION ÉLECTRIQUE - Câble monophasé à deux fils mis à la terre, 120 volts, 60 Hz; courant alternatif.

CORDON D'ALIMENTATION - La sécheuse est dotée d'un cordon d'alimentation de 120 volts à trois fils.

CONNEXION DE MISE À LA TERRE - Consultez la rubrique « Exigences de mise à la terre » dans la section d'installation électrique.



Exigences relatives à l'alimentation en gaz



AVERTISSEMENT

RISQUE D'EXPLOSION

Un tuyau en cuivre sans revêtement se corrode lorsqu'il entre en contact avec le gaz naturel, entraînant des fuites. Utilisez SEULEMENT des tuyaux en fer noir, en acier inoxydable ou encore en cuivre avec revêtement en plastique pour l'alimentation en gaz.

- 1 L'installation DOIT être conforme aux codes locaux ou au code national sur le combustible, ANSI Z223.1 (dernière version), s'il n'existe pas de codes locaux.
- 2 Le tuyau d'alimentation en gaz doit être d'un diamètre intérieur de 1,27 cm (1/2 po).
- 3 Si les codes le permettent, un tuyau métallique flexible peut être utilisé pour raccorder votre sécheuse au tuyau d'alimentation en gaz. Le tuyau DOIT être fabriqué en acier inoxydable ou en laiton avec revêtement en plastique.
- 4 Le tuyau d'alimentation en gaz DOIT être muni d'un robinet d'arrêt distinct conformément à la norme B149.1, Code d'installation du gaz naturel et du propane.
- 5 Un orifice taraudé de 0,32 cm (1/8 po) bouché, accessible pour le branchement de la jauge d'essai, DOIT être installé directement en amont du branchement du tuyau d'alimentation en gaz avec la sécheuse.
- 6 Cette sécheuse DOIT être débranchée de la canalisation de gaz pendant toute vérification de pression de la canalisation de gaz à des pressions supérieures à 3,45 kPa (1/2 lb/po²).
- 7 Cette sécheuse DOIT être isolée de la canalisation de gaz pendant toute vérification de pression de la canalisation de gaz à des pressions égales ou inférieures à 3,45 kPa (1/2 lb/po²).
- 8 Les branchements d'alimentation en gaz doivent être conformes à la norme Connectors for Gas Appliances (Raccords pour appareils au gaz) ANSI Z21.24.

EXIGENCES D'INSTALLATION

Exigences du système d'évacuation

Utilisez seulement des conduites métalliques rigides ou flexibles d'au moins 10,2 cm (4 po) de diamètre, et une bouche d'évacuation qui possède un ou des volets qui s'ouvrent lorsque l'appareil est en fonction. Lorsque la sècheuse s'arrête, les volets se ferment automatiquement pour empêcher les infiltrations d'air, d'insectes et de rongeurs. Pour éviter de bloquer la sortie, gardez un espace minimal de 30,5 cm (12 po) entre le bas de la bouche d'évacuation et le sol ou toute autre obstruction.

AVERTISSEMENT

RISQUE D'INCENDIE

Le non-respect de ces instructions pourrait augmenter démesurément les temps de séchage et entraîner des risques d'incendie.

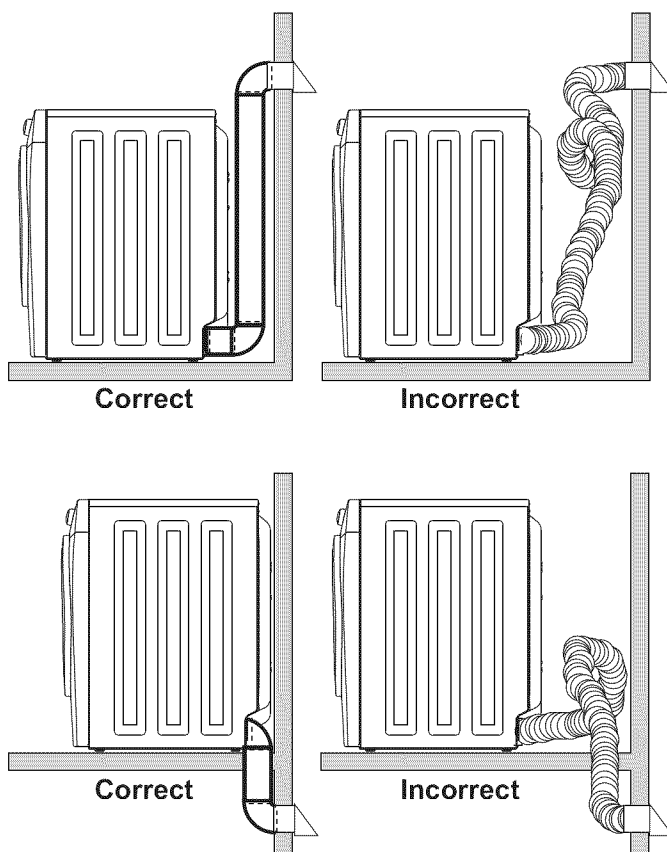
Vous trouverez ci-dessous les exigences pour l'utilisation adéquate et sécuritaire de votre appareil.

AVERTISSEMENT

RISQUE D'INCENDIE

N'installez pas une sècheuse avec du matériel d'évacuation en plastique ou en feuille métallique flexible. Le matériel de ventilation flexible peut s'écraser facilement et emprisonner la charpie. Ces conditions nuiraient à l'écoulement d'air de votre sècheuse et pourraient accroître le risque d'incendie.

Si votre système actuel utilise une conduite en plastique ou en feuille métallique, remplacez-la par une conduite métallique rigide ou semi-rigide. De plus, assurez-vous que la conduite en place est libre de charpie avant d'installer la conduite de sècheuse.



Exigences de système d'évacuation (suite)

AVERTISSEMENT

RISQUE D'INCENDIE

Une sècheuse doit être évacuée vers l'extérieur. N'évacuez pas une sècheuse dans une cheminée, un mur, un plafond, un grenier, un vide sanitaire ou dans tout espace clos d'un bâtiment. La sècheuse produit de la charpie inflammable. Si la sècheuse n'est pas évacuée vers l'extérieur, de la charpie pourrait être évacuée dans l'aire de buanderie. L'accumulation de charpie dans toute pièce de la maison peut entraîner des risques pour la santé et des risques d'incendie.

La sècheuse doit être branchée à une évacuation extérieure. Inspectez régulièrement l'ouverture de l'évacuation extérieure et retirez toute accumulation de charpie près de l'ouverture et de la région avoisinante.

AVERTISSEMENT

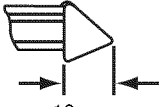
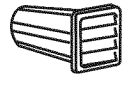
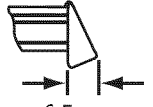
RISQUE D'INCENDIE

- Ne laissez pas de matière combustible (par exemple : des vêtements, des rideaux, du papier) entrer en contact avec le système d'évacuation. La sècheuse **NE DOIT PAS** être évacuée dans une cheminée, un mur, un plafond, ou dans tout espace confiné d'un bâtiment qui pourrait accumuler la charpie, entraînant un risque d'incendie.
- Ne placez pas de grillage à l'extrémité du système d'évacuation, ni de vis, de rivet ou autre fixation de manière à ce qu'ils se prolongent dans la conduite du système d'évacuation. De la charpie pourrait s'accumuler sur le grillage, les vis ou les rivets, et obstruer l'écoulement d'air dans le système, entraînant un risque d'incendie et l'augmentation des temps de séchage. Utilisez une bouche d'évacuation approuvée pour terminer la conduite à l'extérieur, et scellez tous les joints avec du ruban métallique. Toutes les extrémités mâles des conduites doivent être installées en aval relativement au sens de l'écoulement d'air.

AVERTISSEMENT

RISQUE D'INCENDIE

Le fait de dépasser la longueur de conduites ou le nombre de coudes indiqués dans les tableaux de « LONGUEUR MAXIMALE » peut entraîner l'accumulation de charpie dans le système. Toute obstruction au système d'évacuation peut entraîner un risque d'incendie, en plus d'accroître le temps de séchage.

Nombre de tours à 90°	LONGUEUR MAXIMALE pour le conduit en métal rigide de 10,2 cm (4 po)	
	TYPE DE BOUCHE D'ÉVACUATION	
	(De préférence)	
	 10 cm (4 po)	 À volets
	 6.5 cm (2.5 po)	
0	19.5 m (64 pi)	14.6 m (48 pi)
1	15.9 m (52 pi)	12.2 m (40 pi)
2	13.5 m (44 pi)	9.8 m (32 pi)
3	11 m (36 pi)	7.3 m (24 pi)
4	9.5 m (28 pi)	4.9 m (16 pi)

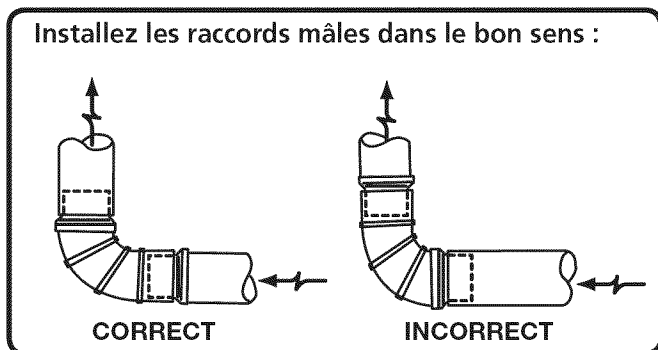
AVERTISSEMENT

RISQUE D'INCENDIE

- N'installez pas de matériel de ventilation en plastique ou en aluminium flexible.
- Si vous installez du matériel de ventilation semi-rigide, il est nécessaire que la longueur du conduit soit égale ou inférieure à 2,4 m (8 pi).

EXIGENCES D'INSTALLATION

Exigences de système d'évacuation (suite)



Pour une installation où le système d'évacuation n'est pas décrit dans les tableaux, la méthode suivante doit être utilisée pour vérifier la conformité du système :

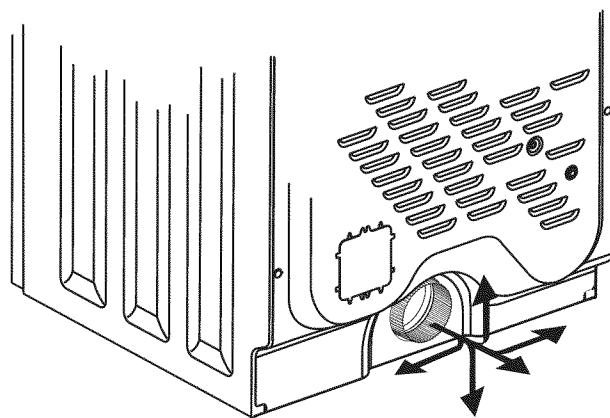
- 1 Branchez un manomètre à tube incliné ou un manomètre numérique entre la sécheuse et le point où l'évacuation est raccordée à la sécheuse.
- 2 Réglez la minuterie de la sécheuse, la température à duvetage (refroidissement), et mettez l'appareil en fonction.
- 3 Relevez le résultat du manomètre.
- 4 La contre-pression du système NE DOIT PAS être supérieure à 19 mm (0.75 po) de colonne d'eau. Si la contre-pression du système est inférieure à 19 mm (0.75 po) de colonne d'eau, le système est conforme. Si la lecture du manomètre indique une colonne d'eau supérieure à 19 mm (0.75 po), le système est trop restrictif et n'est pas conforme.

Bien que l'orientation verticale du système d'évacuation soit acceptable, certaines circonstances pourraient influencer sur le rendement de l'appareil.

- Seule une conduite métallique rigide doit être utilisée.
- L'évacuation verticale par le toit peut entraîner le phénomène de contre-tirage, ce qui accroît la restriction du système d'évacuation.
- L'acheminement de la conduite d'évacuation dans un endroit non isolé peut entraîner de la condensation et l'accumulation plus rapide de charpie.
- Le fait de comprimer ou de pincer le système d'évacuation entraînera l'augmentation de la restriction dans le système.
- Le système d'évacuation doit être inspecté et vérifié au moins tous les 18 mois avec un usage normal. Plus l'appareil est utilisé, plus la période de vérification du système et de la bouche d'évacuation doit être raccourcie.

Direction d'évacuation

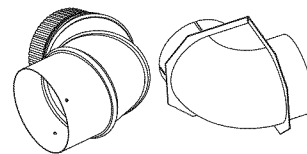
Il est possible de diriger l'évacuation en posant un coude de 90° à courbe immédiate directement à la sortie d'évacuation de la sécheuse. Les coudes pour évacuation de sécheuse sont disponibles auprès du distributeur de pièces de votre région ou à la quincaillerie.



Consultez également la section EXIGENCES DE DÉGAGEMENT à la page suivante.

REMARQUE

L'utilisation d'un coude à 90° à courbe immédiate est nécessaire pour répondre aux exigences de profondeur minimale de la sécheuse autonome.



Installation dans une maison usinée ou mobile

- 1 L'installation DOIT être conforme à la norme Manufactured Home Construction and Safety Standard, titre 24 CFR, article 32-80 (anciennement désignée comme la Federal Standard for Mobile Home Construction and Safety, titre 24, HUD, article 280) ou à la norme CAN/CSAZ240 MH.
- 2 La sècheuse DOIT être évacuée vers l'extérieur (à l'air libre et non sous la maison mobile) avec une gaine métallique ininflammable. La conduite métallique doit posséder un diamètre de 10,16 cm (4 po) et ne contenir aucune obstruction. De préférence, utilisez une conduite métallique rigide.
- 3 Si la sècheuse est évacuée par le plancher et que l'espace sous la maison mobile est cloisonné, le système d'évacuation DOIT se terminer à l'extérieur de la cloison et être fixé solidement à la structure de la maison.
- 4 Reportez-vous aux sections précédentes de ce guide relativement aux autres exigences d'évacuation importantes.
- 5 Lors de l'installation d'une sècheuse à gaz dans une maison mobile, des dispositions doivent être prises pour permettre l'entrée d'air d'appoint de l'extérieur. Cette installation ne doit pas mesurer moins de deux fois la surface de la bouche d'évacuation.
- 6 L'installateur DOIT ancrer (1) cette sècheuse ou (2) la monter sur un socle au sol avec une trousse d'installation de maison mobile, n° de pièce 137067200.

Exigences de dégagement



AVERTISSEMENT

RISQUE D'EXPLOSION

N'installez pas la sècheuse là où de l'essence ou autres matières inflammables sont entreposées. Si la sècheuse est installée dans un garage, elle doit être placée au moins à 45,7 cm (18 po) du sol. Le non-respect de cette recommandation peut entraîner un choc électrique, une explosion, un incendie ou même la mort.



IMPORTANT

N'INSTALLEZ PAS VOTRE SÈCHEUSE :

- 1 À un endroit exposé aux écoulements d'eau ou aux aléas des conditions météorologiques extérieures.
- 2 À un endroit où elle entrera en contact avec des rideaux ou tout autre objet qui nuirait à l'écoulement de l'air de combustion ou de ventilation.
- 3 Sur un tapis. Le plancher DOIT être solide et présenter une pente inférieure à 2,5 cm (1 po).

EXIGENCES D'INSTALLATION

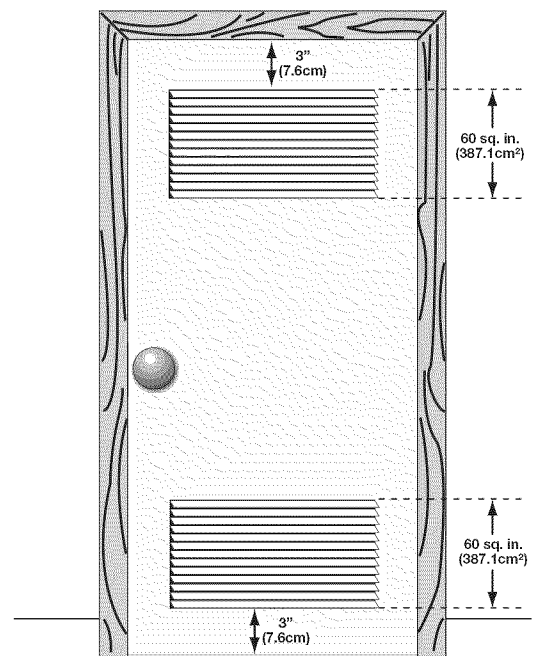
Exigences de dégagement (suite)

Installation dans un Endroit en Retrait ou une Armoire

- 1 Une sècheuse installée dans une chambre à coucher, une salle de bains, un renforcement ou un placard DOIT être évacuée vers l'extérieur.
- 2 Aucun autre appareil à combustion ne doit être installé dans le même placard que la sècheuse.
- 3 Votre sècheuse a besoin d'espace pour assurer une ventilation adéquate.

N'INSTALLEZ PAS votre sècheuse dans un placard muni d'une porte pleine

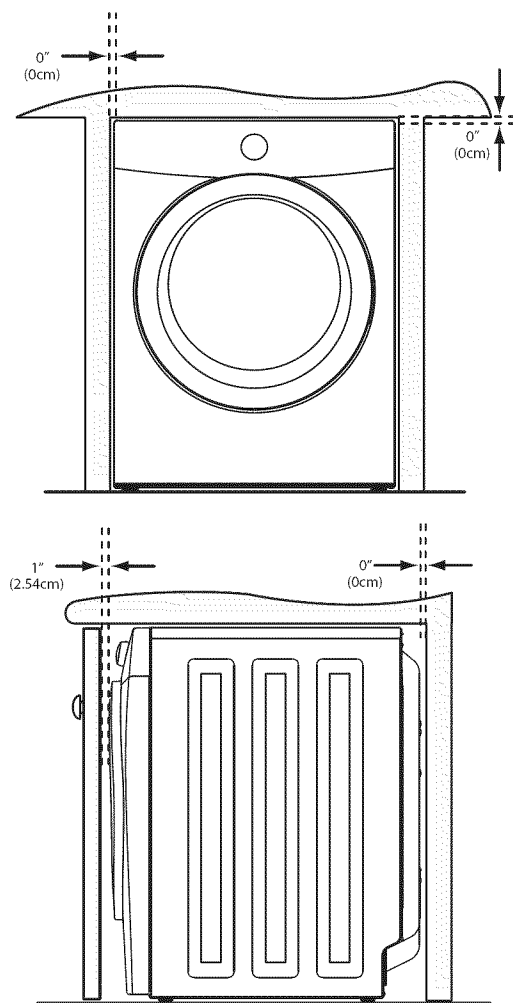
- 4 Porte de placard assurant une ventilation requise : Une ouverture d'au moins 774,2 cm² (120 po²), divisée également au-dessus et au-dessous de la porte, est requise. Les ouvertures doivent être situées à 7,6 cm (3 po) du haut et du bas de la porte. Les ouvertures ne doivent pas être obstruées lorsqu'une porte est installée. Une porte à persiennes dont les ouvertures sur l'ensemble de la porte sont équivalentes aux recommandations peut être utilisée.



Porte de placard

DÉGAGEMENTS MINIMAUX - Centimètres (pouces)				
	CÔTÉS	ARRIÈRE	DESSUS	AVANT
Alcôve	0" (0 cm)	0" (0 cm)*	0" (0 cm)	n/a
Sous le comptoir	0" (0 cm)	0" (0 cm)*	0" (0 cm)	n/a
Placard	0" (0 cm)	0" (0 cm)*	0" (0 cm)	1" (2.5 cm)

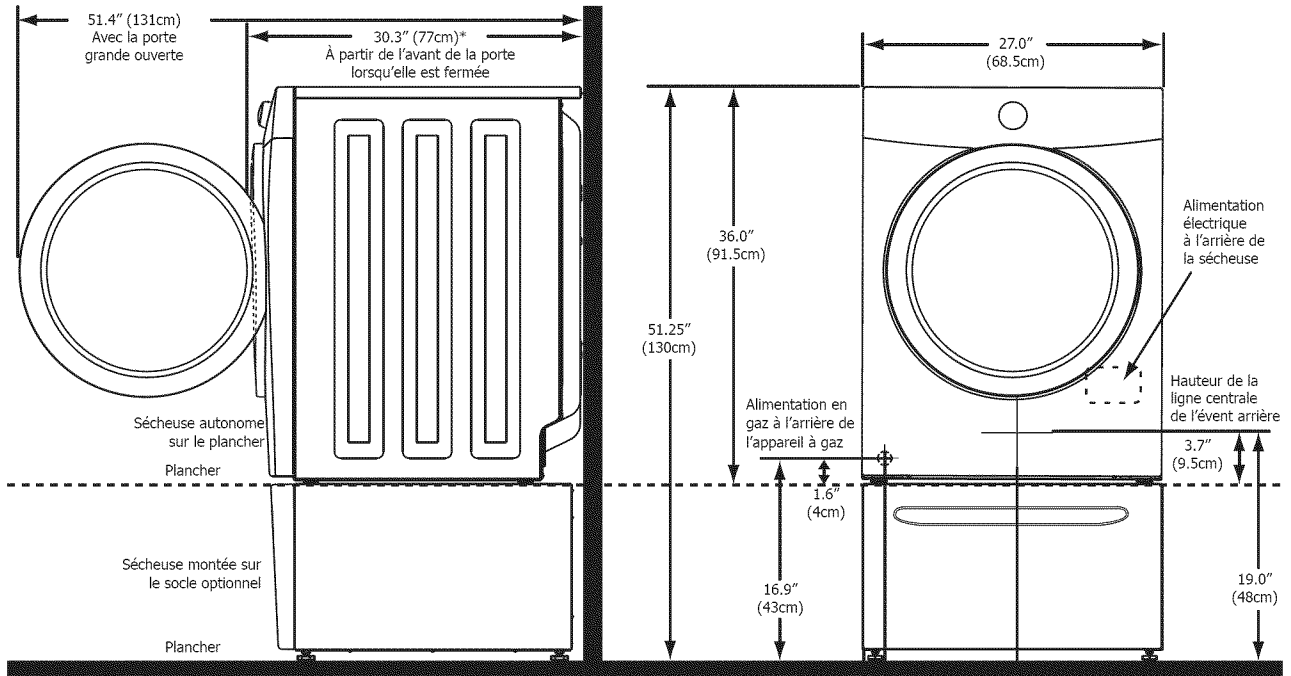
* Pour toute installation autre qu'une évacuation directe, un coude de 90° à courbe immédiate doit être utilisé pour respecter l'exigence de 0 cm (0 po).



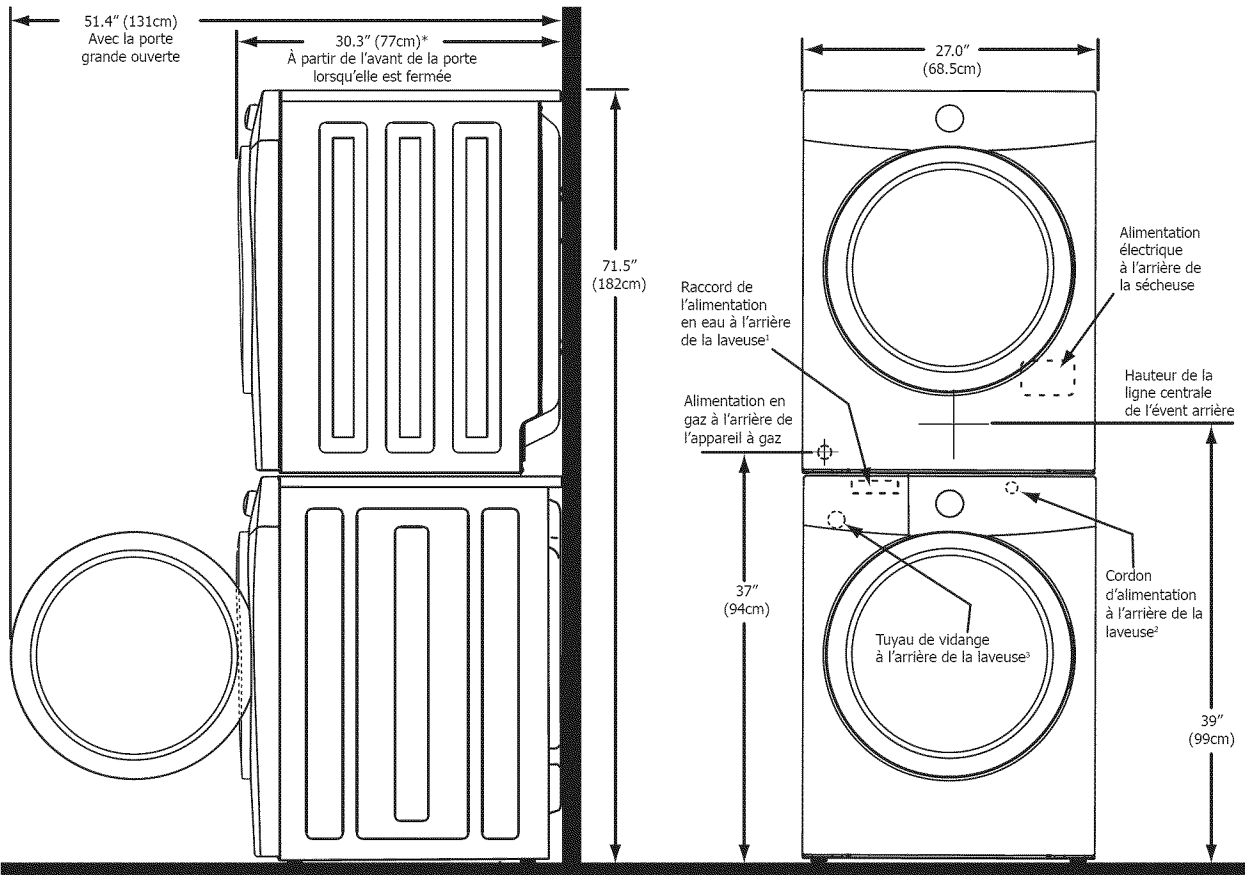
REMARQUE

Pour obtenir une installation avec un dégagement de 0 cm (0 po) à l'arrière de la sècheuse (pour une installation autre qu'avec une sortie directe), un coude de 90° à courbe immédiate doit être installé, comme il est décrit précédemment dans ce guide.

DIMENSIONS DE L'INSTALLATION DE SÉCHEUSE



* Pour obtenir ces dimensions de profondeur minimales, la sécheuse doit être ventilée tout droit par l'arrière. L'utilisation d'un coude à 90° à courbe immédiate (vers la droite ou vers le bas sur une sécheuse autonome) nécessite environ 2 cm (0.75 po) de profondeur de plus pour l'installation. Les sécheuses montées sur un socle ou autonomes munies d'un système d'évacuation de l'air vers le haut requièrent environ 10.2 cm (4 po) de profondeur de plus pour l'installation. Les sécheuses montées sur un socle ou autonomes munies d'un système d'évacuation vers la gauche nécessitent environ 3.75 cm (9.5 po) de profondeur de plus pour l'installation. Les sécheuses montées sur un socle munies d'un système d'évacuation de l'air vers le bas requièrent environ 5.7 cm (2.25 po) de profondeur de plus pour l'installation.



* Pour obtenir ces dimensions de profondeur minimales, la sécheuse doit être ventilée tout droit par l'arrière. L'utilisation d'un coude à 90° à courbe immédiate (orienté vers la droite) nécessite environ 0.75 po (2 cm) de profondeur de plus pour l'installation. Les sécheuses superposées munies d'un système d'évacuation de l'air vers le haut requièrent environ 4 po (10.2 cm) de profondeur de plus pour l'installation. Les sécheuses superposées munies d'un système d'évacuation de l'air vers le bas requièrent environ 2.25 po (6.5 cm) de profondeur de plus pour l'installation. Les sécheuses superposées munies d'un système d'évacuation de l'air vers la gauche requièrent environ 3.75 po (9.5 cm) de profondeur de plus pour l'installation.

¹La longueur de las mangueras de admisión de agua caliente y fría es de aproximadamente 43" (109 cm).

²La longitud del cable de alimentación es de aproximadamente 60" (152,5 cm).

³La longitud de la manguera de desagüe es de aproximadamente 52" (132 cm).

INSTRUCTIONS D'INSTALLATION

Installation électrique

Vous trouverez ci-dessous les exigences pour l'installation électrique adéquate et sécuritaire de votre appareil. Le non-respect de ces instructions pourrait entraîner le risque de choc ou d'incendie.

AVERTISSEMENT

RISQUE DE CHOC ÉLECTRIQUE

- Cet appareil DOIT être adéquatement mis à la terre. La mise à la terre inadéquate de la sècheuse pourrait entraîner des risques de choc électrique. Suivez les instructions de ce guide pour une mise à la terre adéquate.
- N'utilisez pas de rallonge avec cet appareil. Certains cordons prolongateurs ne sont pas conçus pour la quantité de courant électrique utilisé par cette sècheuse et pourraient fondre, entraînant des risques de choc électrique ou d'incendie. Placez la sècheuse à une distance de la prise convenant à la longueur de la rallonge, permettant d'installer la rallonge lâchement. Reportez-vous aux exigences de préinstallation de ce guide pour savoir quel cordon d'alimentation acheter.

AVERTISSEMENT

RISQUE DE CHOC ÉLECTRIQUE

- Un réducteur de tension certifié UL doit être installé sur le cordon d'alimentation. Si le réducteur de tension n'est pas installé, le cordon peut être arraché de l'appareil ou coupé par tout mouvement, ce qui entraînerait un risque de choc électrique.
- N'utilisez pas une prise avec câblage en aluminium avec un cordon d'alimentation et une fiche avec fils en cuivre (ou l'inverse). Une réaction chimique se produit entre l'aluminium et le cuivre, ce qui pourrait entraîner un court-circuit. Il faut utiliser un cordon, une fiche et une prise avec des fils en cuivre.

REMARQUE

Les sècheuses alimentées par une tension de 208 V posséderont des temps de séchage plus longs qu'une sècheuse alimentée par une tension de 240 V.

Exigences de mise à la terre - Sècheuse électrique (É.-U.)

AVERTISSEMENT

RISQUE DE CHOC ÉLECTRIQUE

Un raccordement inadéquat du conducteur de mise à la terre de l'équipement peut accroître les risques de choc électrique. En cas de doute quant à la mise à la terre de l'appareil, consultez un électricien qualifié.

Pour une sècheuse avec cordon, mise à la terre :

- 1 Cet appareil DOIT être mis à la terre. En cas de mauvais fonctionnement ou de panne, la mise à la terre diminue les risques de choc électrique en fournissant au courant électrique une trajectoire de moindre résistance.
- 2 Après l'achat et l'installation d'un cordon d'alimentation à 3 ou 4 fils doté d'un fil de mise à la terre et d'une fiche de mise à la terre qui

correspond à votre système de câblage, la fiche DOIT être branchée dans un réceptacle cuivré installé et mis à la terre conformément aux codes et règlements locaux. En cas de doute, faites appel à un électricien qualifié.

- 3 NE MODIFIEZ PAS la fiche fournie avec cet appareil. Si elle ne s'insère pas dans la prise, demandez à un électricien qualifié d'installer la prise adaptée.

Pour une sècheuse avec branchement permanent :

- 1 La sècheuse DOIT être branchée à un système de câbles métalliques permanents mis à la terre; ou un conducteur de mise à la terre doit être installé avec les conducteurs de circuit et branché à la borne ou au fil de mise à la terre de l'appareil.

Exigences de mise à la terre - Sécheuse électrique (Canada)

AVERTISSEMENT

RISQUE DE CHOC ÉLECTRIQUE

Un raccordement inadéquat du conducteur de mise à la terre de l'équipement peut accroître les risques de choc électrique. En cas de doute quant à la mise à la terre de l'appareil, consultez un électricien qualifié.

Pour une sécheuse avec cordon, mise à la terre :

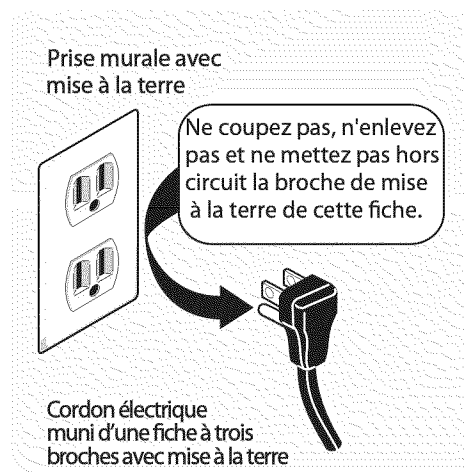
- 1 Cet appareil DOIT être mis à la terre. En cas de mauvais fonctionnement ou de panne, la mise à la terre diminue les risques de choc électrique en fournissant au courant électrique une trajectoire de

moindre résistance.

- 2 Puisque votre appareil est muni d'un cordon d'alimentation avec fil et fiche de mise à la terre, la fiche doit être branchée dans un réceptacle installé et mis à la terre conformément aux codes et règlements locaux. En cas de doute, faites appel à un électricien qualifié.
- 3 NE MODIFIEZ PAS la fiche fournie avec cet appareil. Si elle ne s'insère pas dans la prise, demandez à un électricien qualifié d'installer la prise adaptée.

Exigences de mise à la terre - Sécheuse à gaz (É.-U. et Canada)

- 1 Cet appareil est muni d'une fiche à trois broches (mise à la terre) pour assurer votre protection contre les chocs électriques. Cette fiche doit être branchée directement dans une prise à trois alvéoles correctement mise à la terre.
- 2 La fiche doit être branchée dans un réceptacle installé et mis à la terre conformément aux codes et règlements locaux. En cas de doute, faites appel à un électricien qualifié.
- 3 NE MODIFIEZ PAS la fiche fournie avec cet appareil. Si elle ne s'insère pas dans la prise, demandez à un électricien qualifié d'installer la prise adaptée.



INSTRUCTIONS D'INSTALLATION

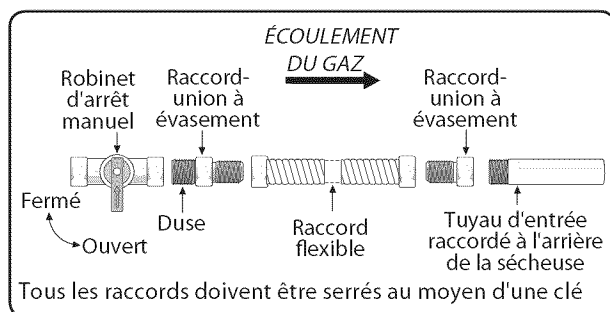
Connexion de gaz

- 1 Retirez le capuchon d'expédition de la conduite de gaz à l'arrière de l'appareil.

➔ IMPORTANT

NE RACCORDEZ PAS la sècheuse à une alimentation en propane liquide sans avoir préalablement converti la soupape de gaz. Le nécessaire de conversion au propane liquide doit être installé par un technicien qualifié.

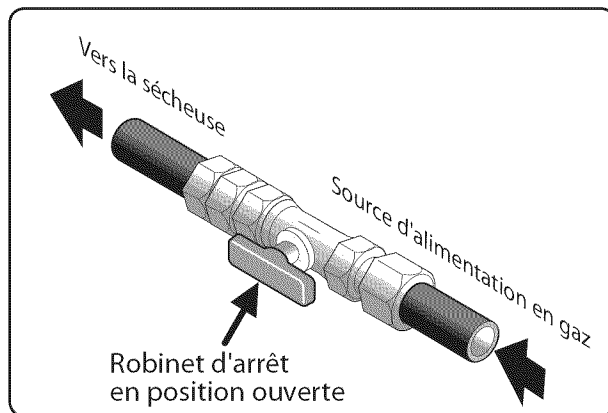
- 2 Branchez un tuyau semi-rigide ou approuvé d'un diamètre intérieur de 1,27 cm (1/2 po) de la conduite d'alimentation de gaz au tuyau de 0,96 cm (3/8 po) situé à l'arrière de l'appareil. Utilisez un réducteur de 1,27 cm à 0,96 cm (1/2 po à 3/8 po) pour effectuer le raccordement. Utilisez du ruban d'étanchéité résistant à l'action corrosive des gaz à l'état liquide à chaque raccord.



➔ IMPORTANT

La conduite d'alimentation doit être munie d'un robinet d'arrêt approuvé. Ce robinet doit être situé dans la même pièce que la sècheuse et placé de manière à être facilement accessible. Ne bloquez pas l'accès au robinet d'arrêt de l'alimentation de gaz.

- 3 Ouvrez le robinet d'arrêt dans la conduite d'alimentation de gaz pour permettre au gaz de s'écouler dans le tuyau. Attendez quelques minutes pour que le gaz s'écoule dans la conduite.



- 4 Vérifiez le système avec un manomètre pour déceler toute fuite. Si vous n'avez pas de manomètre, vérifiez les raccords en appliquant de l'eau savonneuse sur les connexions.

⚠ AVERTISSEMENT

RISQUE D'EXPLOSION

Ne vérifiez JAMAIS la présence de fuites à l'aide d'une flamme nue.

INSTRUCTIONS D'INSTALLATION

Connexion électrique (sauf au Canada) - cordon à 3 fils



Prise à 3 alvéoles
(NEMA type 10-30R)



AVERTISSEMENT

RISQUE DE CHOC ÉLECTRIQUE

Le fait de ne pas débrancher l'appareil de sa source d'alimentation en électricité avant son entretien peut causer des blessures, voire la mort.

- 1 Coupez l'alimentation à la prise.
- 2 Retirez la vis qui fixe le couvercle d'accès du bornier dans le coin inférieur du dos de la sècheuse.
- 3 Installez un réducteur de tension certifié UL conformément aux instructions du fabricant de cordon d'alimentation ou de réducteur de tension dans l'orifice de cordon d'alimentation sous le panneau d'accès. À ce moment, le réducteur de tension devrait être installé lâchement.
- 4 Passez un cordon de 30 A certifié UL NEMA 10-30 de type SRDT, NON BRANCHÉ, dans le réducteur de tension.
- 5 Fixez le fil neutre du cordon d'alimentation (fil du centre) à la borne centrale ARGENT du bornier. Serrez bien la vis.
- 6 Fixez les deux autres fils aux bornes externes en LAITON du bornier. Serrez bien les deux vis.



AVERTISSEMENT

RISQUE DE CHOC ÉLECTRIQUE

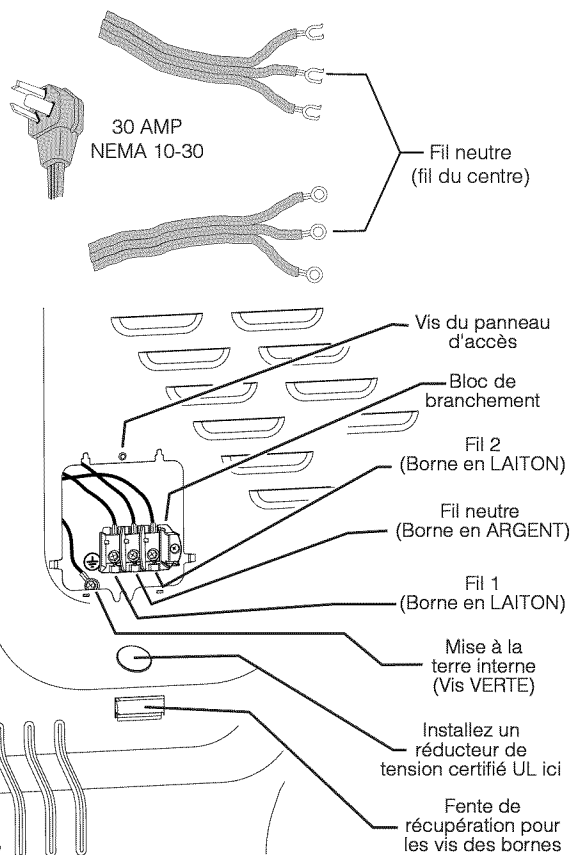
N'effectuez pas de courbe soudaine, et ne pincez pas le câblage ou les conducteurs aux connexions.

- 7 Suivez les consignes du fabricant pour fixer solidement le réducteur de tension et le cordon d'alimentation.
- 8 Réinstallez le couvercle du panneau d'accès au bornier.



IMPORTANT

Si vous passez d'un système à quatre fils à un système à trois fils, déplacez le fil de mise à la terre interne de la borne centrale du bornier à la vis VERTE à côté du bornier.

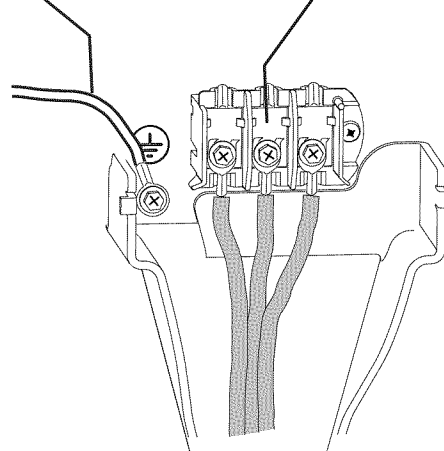


REMARQUE

Si une vis de borne tombe pendant l'installation du cordon, elle peut être récupérée dans la fente de récupération sous le panneau d'accès.

N'ENLEVEZ PAS la mise à la terre interne dans un système à trois fils!

Borne neutre



INSTRUCTIONS D'INSTALLATION

Connexion électrique (sauf au Canada) - cordon à 4 fils



Prise à 4 alvéoles
(NEMA type 14-30R)



AVERTISSEMENT

RISQUE DE CHOC ÉLECTRIQUE

Le fait de ne pas débrancher l'appareil de sa source d'alimentation en électricité avant son entretien peut causer des blessures, voire la mort.

- 1 Coupez l'alimentation à la prise.
- 2 Retirez la vis qui fixe le couvercle d'accès du bornier dans le coin inférieur du dos de la sècheuse.
- 3 Installez un réducteur de tension certifié UL conformément aux instructions du fabricant de cordon d'alimentation ou de réducteur de tension dans l'orifice de cordon d'alimentation sous le panneau d'accès. À ce moment, le réducteur de tension devrait être installé lâchement.
- 4 Passez un cordon de 30 A certifié UL NEMA 14-30 de type SRDT, NON BRANCHÉ, dans le réducteur de tension.
- 5 Débranchez le fil de mise à la terre du faisceau électrique interne de la sècheuse (BLANC) de la vis de mise à la terre (VERTE) près du bornier.
- 6 Fixez le fil de mise à la terre (VERT) du cordon d'alimentation à la caisse avec la vis de mise à la terre (VERTE). Serrez bien la vis.
- 7 Déplacez le fil de mise à la terre du faisceau électrique interne (BLANC) au bornier et fixez-le avec le fil neutre du cordon d'alimentation (BLANC) à la borne centrale ARGENT du bornier. Serrez bien la vis.
- 8 Fixez les fils ROUGE et NOIR du cordon d'alimentation aux bornes externes en LAITON du bornier. Serrez bien les deux vis.

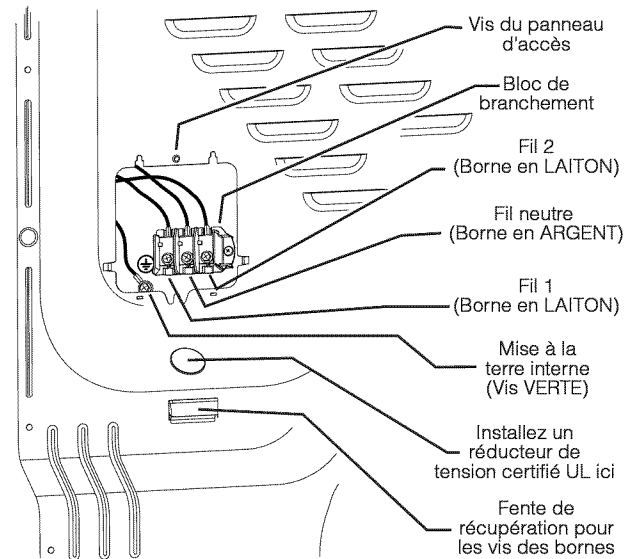
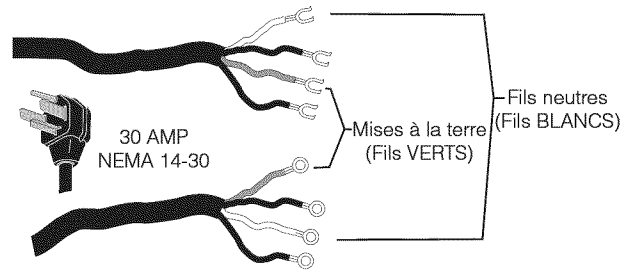


AVERTISSEMENT

RISQUE DE CHOC ÉLECTRIQUE

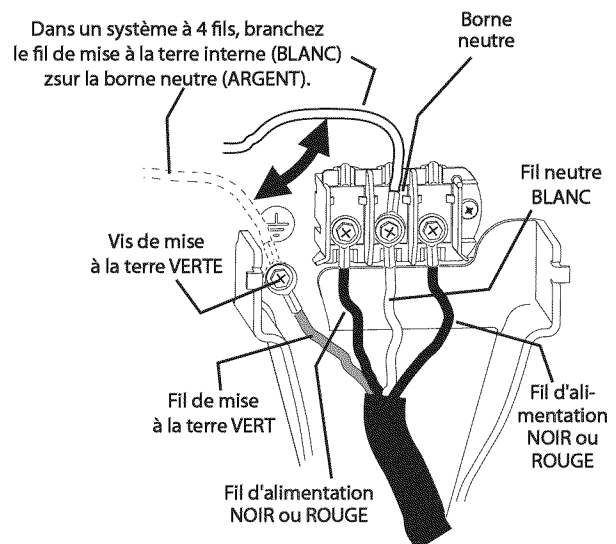
N'effectuez pas de courbe soudaine, et ne pincez pas le câblage ou les conducteurs aux connexions.

- 9 Suivez les consignes du fabricant pour fixer solidement le réducteur de tension et le cordon d'alimentation.
- 10 Réinstallez le couvercle du panneau d'accès au bornier.



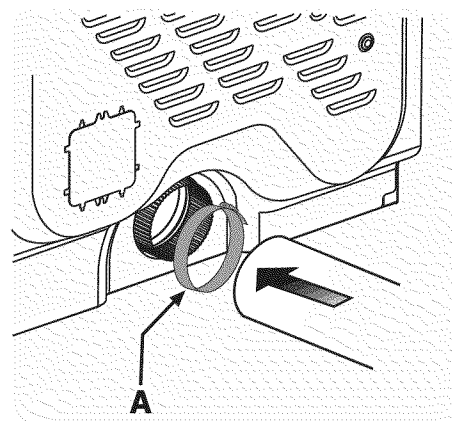
REMARQUE

Si une vis de borne tombe pendant l'installation du cordon, elle peut être récupérée dans la fente de récupération sous le panneau d'accès.



Installation (générale)

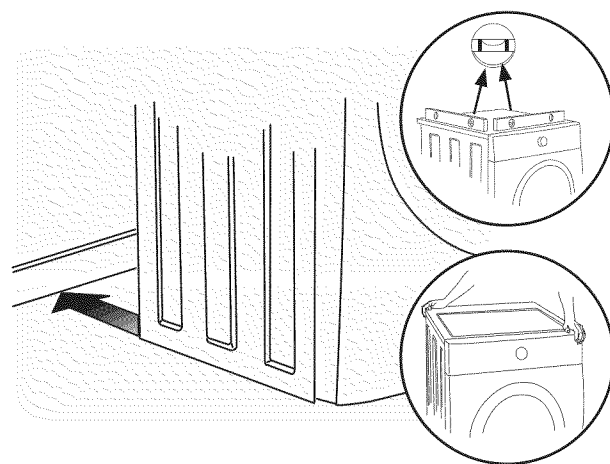
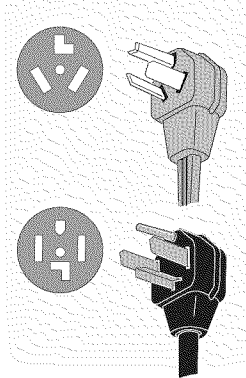
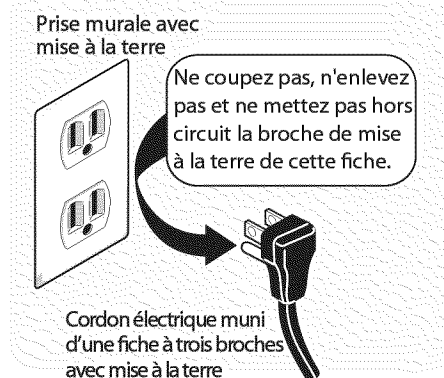
- 1 Branchez la conduite d'évacuation au système d'évacuation extérieur. L'utilisation d'un collier (pièce A) de 102 mm (4 po) est recommandée pour raccorder la sécheuse au système d'évacuation. Utilisez du ruban métallique pour sceller les autres joints.
- 2 Utilisez un niveau à bulle pour mettre l'appareil à niveau de l'avant vers l'arrière et latéralement.
- 3 Utilisez la clé universelle pour ajuster les pieds de mise à niveau de façon à ce que la laveuse soit de niveau d'avant en arrière et latéralement, et qu'elle soit stable aux quatre coins.
- 4 Appuyez sur chaque coin et chaque côté pour déterminer les endroits qui nécessitent un réglage. Ajustez les pieds de mise à niveau appropriés de manière à ce que la laveuse repose solidement sur ses QUATRE pieds. Gardez les pieds de mise à niveau le plus près possible de la laveuse afin d'optimiser le rendement de la sécheuse.



▶ IMPORTANT

Assurez-vous que l'alimentation électrique est coupée au disjoncteur ou au boîtier de fusibles avant de brancher le cordon d'alimentation dans une prise électrique.

- 5 Branchez le cordon d'alimentation à la prise électrique mise à la terre.



- 6 Ouvrez l'alimentation électrique au disjoncteur ou au boîtier de fusibles.
- 7 Reportez-vous au Guide d'utilisation et d'entretien fourni avec la sécheuse. Il contient des renseignements très utiles qui vous permettent d'économiser temps et argent.
- 8 Pour toute question relative à l'utilisation initiale, veuillez vous reporter à la section « Liste de vérification » de votre Guide d'utilisation et d'entretien avant d'effectuer une demande de service.
- 9 Laissez ces instructions à proximité de la sécheuse pour vous y reporter ultérieurement.

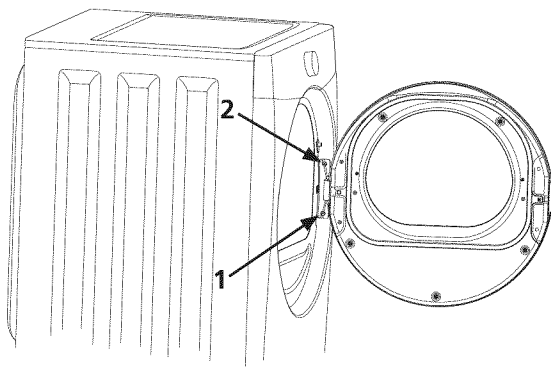
📌 REMARQUE

Un schéma électrique et une fiche technique sont situés à l'intérieur de la console de l'appareil.

INVERSION DE LA PORTE

Dépose de la porte

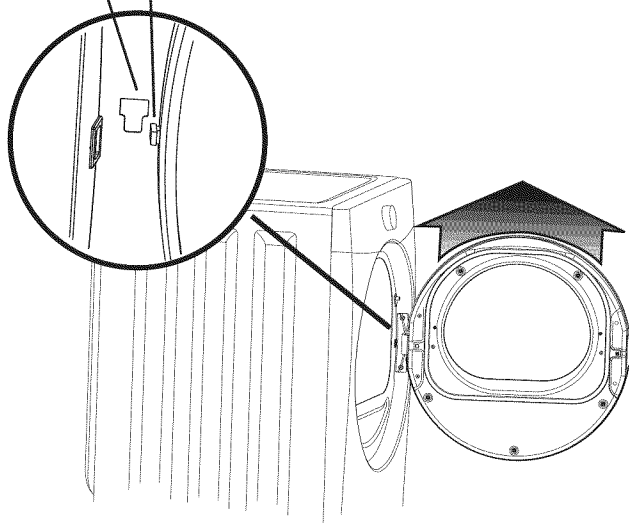
- 1 Protégez la surface de travail, comme le dessus de la sècheuse ou le plancher près de la sècheuse, avec un chiffon doux ou une serviette.
- 2 Ouvrez la porte de la sècheuse et retirez les deux vis de la charnière. Enlevez d'abord la vis du bas, puis la vis du haut.



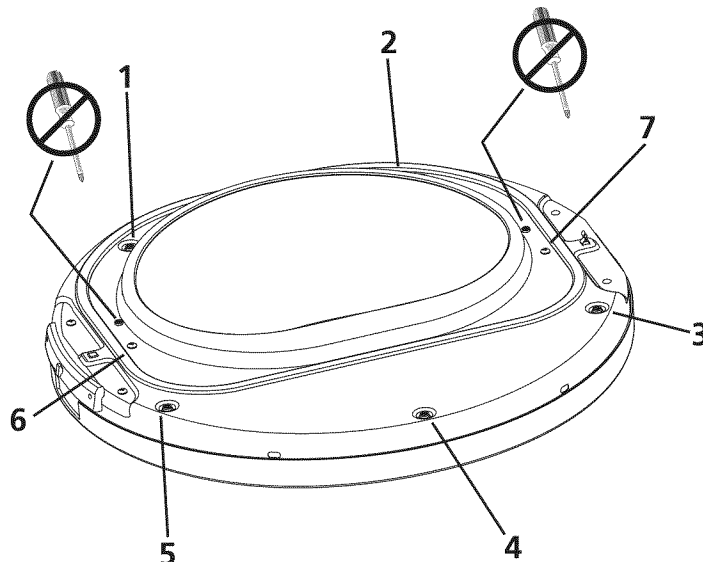
- 3 En soutenant la porte à deux mains, soulevez complètement cette dernière ainsi que la charnière d'environ 10 mm (3/8 po), de sorte que la tige en « T » se trouvant à l'arrière de la charnière puisse être glissée à l'extérieur de la fente en « T » située sur le panneau avant.

FENTE EN « T » DU
PANNEAU AVANT

TIGE EN « T » DE LA
CHARNIÈRE DE LA
PORTE



- 4 Placez soigneusement la porte de la sècheuse face contre terre sur la surface de travail protégée.
- 5 Repérez les 5 vis à tête dentelée (nos 1 à 5) dans les petits enfoncements circulaires situés sur la partie interne de la porte. (Ces petits enfoncements sont situés à 11 h, 1 h, 4 h, 6 h et 8 h à l'intérieur de la porte.) Retirez les 5 vis et conservez-les.



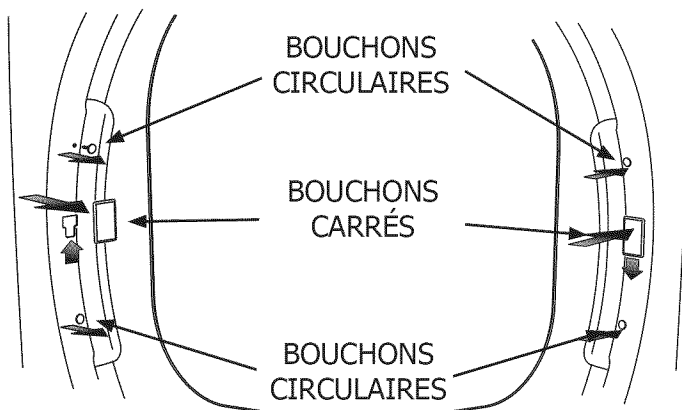
➔ IMPORTANT

Ne tentez pas d'enlever les 2 vis inamovibles qui tiennent la vitre interne en place.

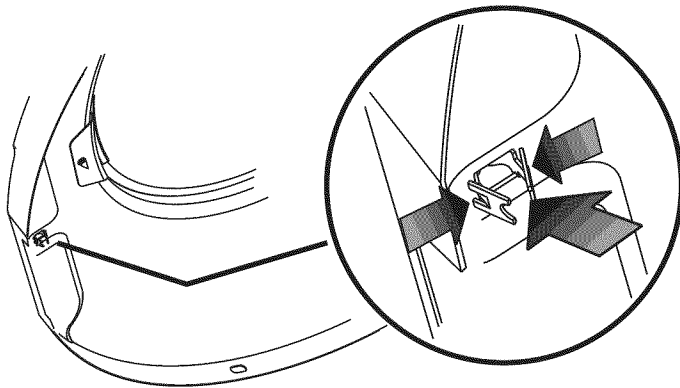
- 6 Repérez les 2 vis à tête cylindrique (nos 6 et 7) situées sur la partie interne de la porte et se trouvant le plus près de la gâche métallique et du centre de la charnière. (Ces vis sont situées à 9 h et à 3 h à l'intérieur de la porte.) Retirez les 2 vis et conservez-les.
- 7 Séparez la partie interne de la porte de la partie externe.

Inversion de la charnière

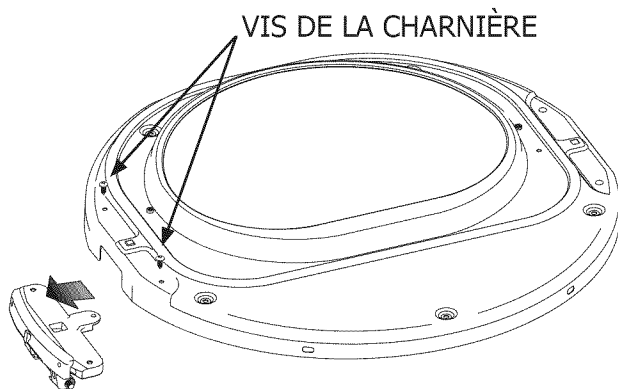
- 1 Enlevez délicatement les 2 petits bouchons circulaires qui se trouvent sur le panneau avant et conservez-les. Retirez le protecteur carré de la fente en « T » en le faisant glisser vers le haut et en le tirant vers l'extérieur, puis conservez-le. Ensuite, insérez les 3 protecteurs sur le côté opposé du panneau avant.



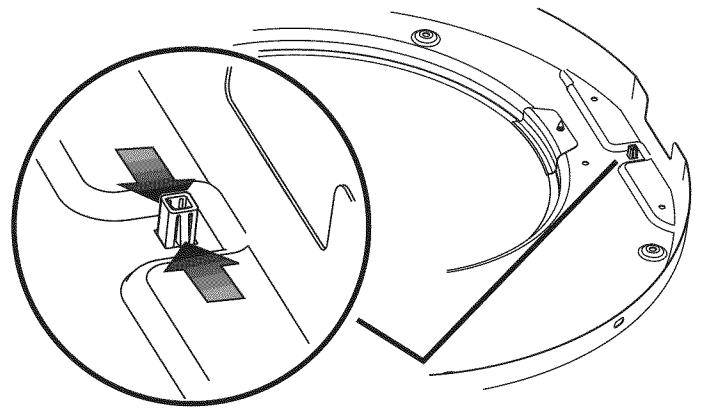
- 2 Retournez la partie interne de la porte pour avoir accès aux languettes de retenue de la gâche métallique. Retirez les languettes au moyen de pinces. Jetez l'ancienne gâche métallique.



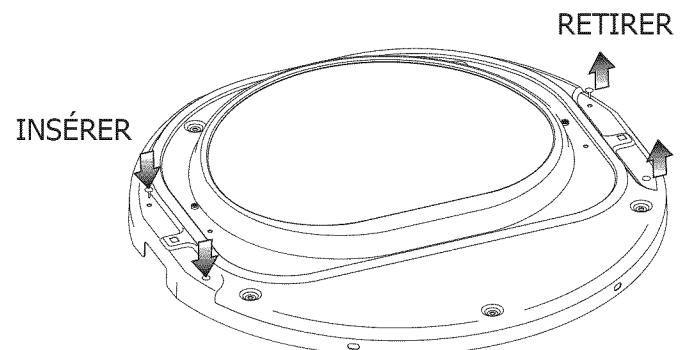
- 3 Retournez la partie interne de la porte pour avoir accès aux languettes de retenue de la gâche métallique. Retirez les languettes au moyen de pinces. Jetez l'ancienne gâche métallique.



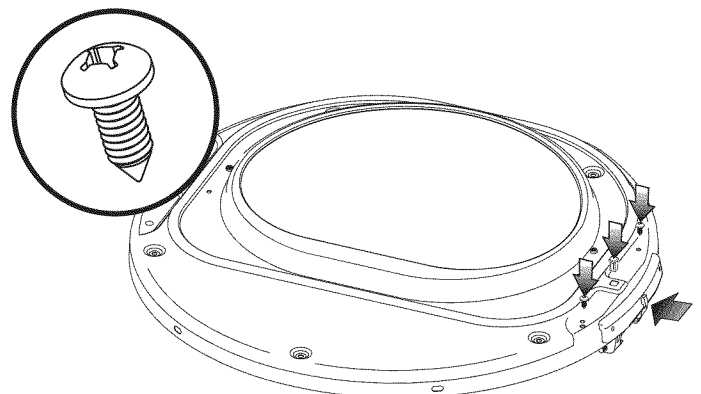
- 4 À partir de l'arrière de la partie interne de la porte, pincez les languettes de retenue du bouchon carré en plastique pour le dégager. Conservez le bouchon en vue d'une réinstallation.



- 5 Enlevez délicatement les 2 bouchons circulaires se trouvant dans la partie interne de la porte, puis insérez-les dans les trous situés sur le côté opposé.



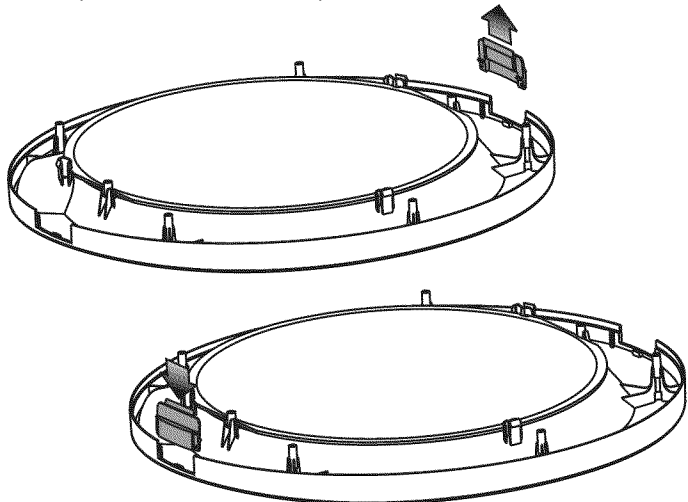
- 6 Installez la charnière sur le côté opposé de la partie interne de la porte. Fixez la charnière à l'aide des 2 vis à tête cylindrique retirées précédemment. Réinstallez le bouchon en plastique dans le trou carré se trouvant à côté de la charnière.



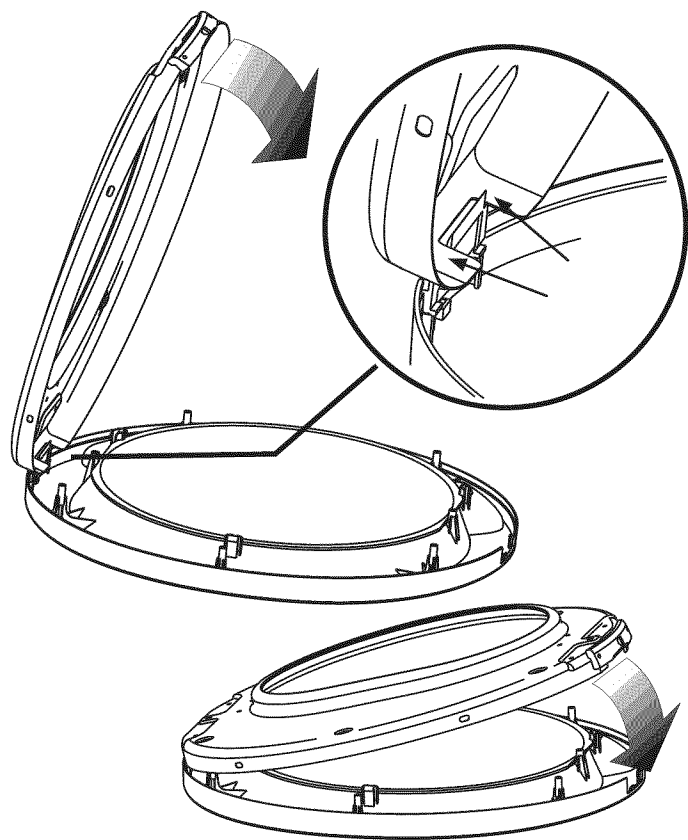
INVERSION DE LA PORTE

Remontage de la porte

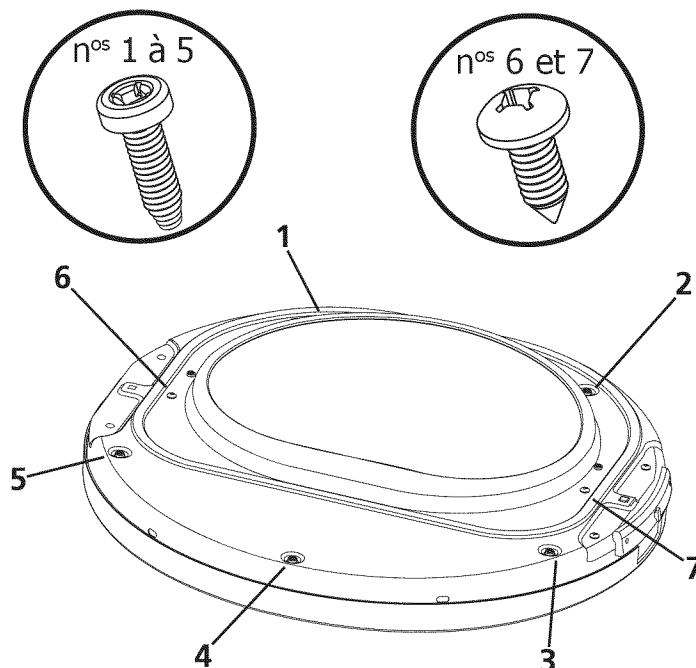
- 1 Repérez et enlevez le volet de la découpe de la charnière qui se trouve sur la partie externe de la porte. Installez la pièce dans le trou opposé de la partie externe de la porte.



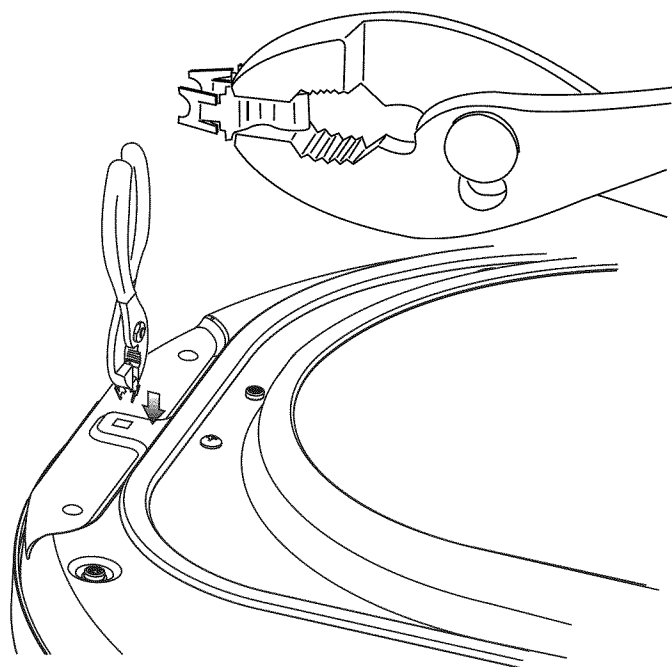
- 2 Déposez l'ouverture de la partie interne de la porte sur les « épaulements » du volet de la découpe de la charnière. Ensuite, faites pivoter la partie interne de la porte dans la partie externe.



- 3 Réinstallez les vis à tête dentelée (nos 1 à 5) retirées précédemment. Prenez garde de ne pas endommager le filet des trous en plastique.
- 4 Réinstallez les vis à tête cylindrique (nos 6 et 7) retirées précédemment. Prenez garde de ne pas endommager le filet des trous en plastique.

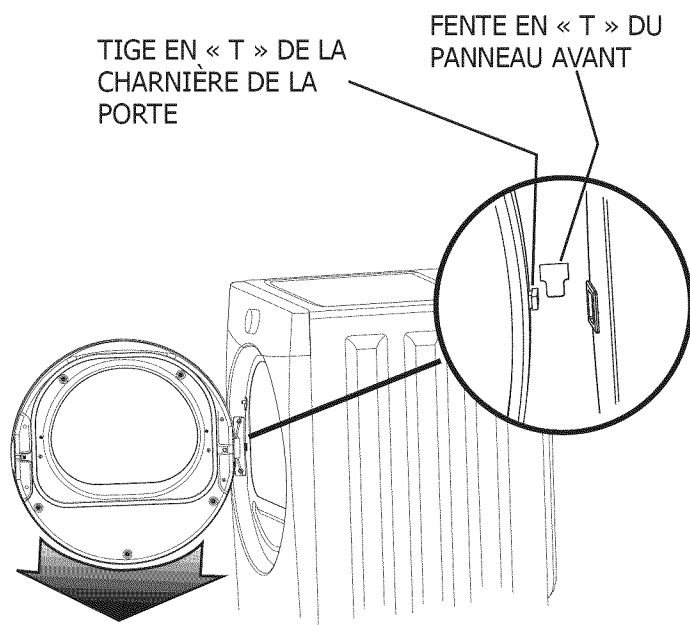


- 5 Repérez la nouvelle gâche métallique fournie avec les manuels de la sécheuse. Tenez-la au moyen de pinces, comme indiqué ci-dessous. Insérez fermement la gâche de sorte qu'elle soit orientée verticalement.

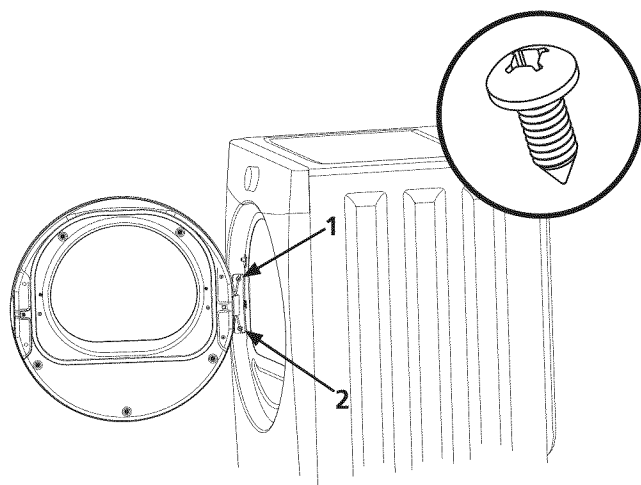


Remise en place de la porte

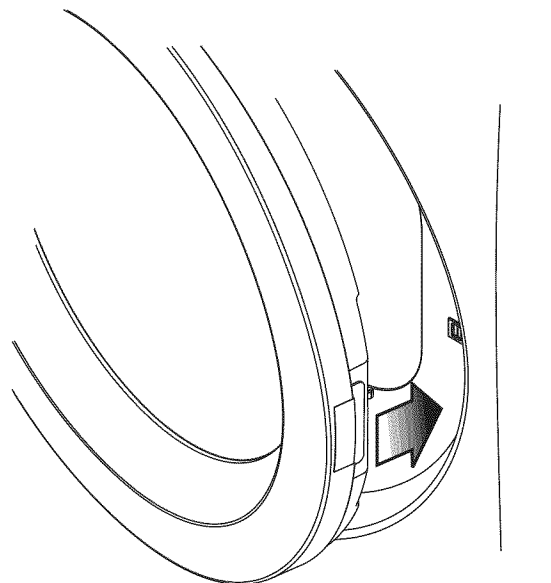
- 1 En tenant la porte à deux mains, insérez complètement la tige en « T » située à l'arrière de la charnière dans la fente en « T » se trouvant dans le panneau avant. Ensuite, baissez la porte de sorte que les trous de montage soient alignés.



- 2 Tout en tenant la porte, installez d'abord la vis à tête cylindrique supérieure, puis la vis inférieure.



- 3 Fermez la porte et vérifiez le fonctionnement de la charnière, de la gâche et du loquet.



REMARQUE

Si elles sont installées correctement, les vis de la charnière seront de niveau avec le panneau avant. Tout espacement entre la charnière et le panneau avant causera un mauvais alignement de la gâche et du loquet.

ACCESSOIRES

SOCLE DE RANGEMENT ASSORTI*

Socle Blanc - PIÈCE N° CFPWD15W
Socle Bleu - PIÈCE N° CFWD15RN
Socle Rouge - PIÈCE N° CFWD15R
Socle Argentés - PIÈCE N° CFWD15A
Socle Noir - PIÈCE N° CFWD15B

Un socle de rangement, conçu expressément pour cette laveuse, peut être utilisé afin de soulever votre appareil, facilitant ainsi son utilisation. Le socle ajoute environ 38 cm (15 po) à votre sècheuse, pour une hauteur totale de 130 cm (51.25 po).

*Il se peut que d'autres couleurs soient disponibles. Communiquez avec le marchand qui vous a vendu votre sècheuse.

NÉCESSAIRE DE SUPERPOSITION DE SÈCHEUSE

PIÈCE N° STACKIT4X

Selon le modèle que vous avez acheté, il se peut qu'un nécessaire pour superposer cette sècheuse sur une laveuse assortie ait été inclus dans l'achat initial de votre sècheuse. Si votre modèle ne comprenait pas de nécessaire de superposition ou que vous en désirez un autre, il vous est possible d'en commander un.

NÉCESSAIRE DE CONVERSION AU GPL

PIÈCE N° PCK4200

Les sècheuses à gaz qui seront utilisées dans un endroit alimenté par du propane liquide doivent recourir à un nécessaire de conversion avant l'installation.

TROUSSE D'INSTALLATION DE MAISON MOBILE

PIÈCE N° 137067200

Toute installation dans une maison mobile nécessite l'utilisation d'une TROUSSE D'INSTALLATION DE MAISON MOBILE.

ÉTAGÈRE DE SÉCHAGE

PIÈCE N° 137067300

Selon le modèle que vous avez acheté, il se peut qu'une étagère de séchage ait été incluse dans l'achat initial de votre sècheuse. Si votre modèle ne comprenait pas d'étagère de séchage ou que vous en désirez une autre, il vous est possible d'en commander une.

CLÉ D'APPAREIL UNIVERSELLE

PIÈCE N° 137019200

UNE CLÉ D'APPAREIL UNIVERSELLE est offerte pour faciliter le réglage des pieds de sècheuse/laveuse/socle.

CRAYONS DE PEINTURE DE RETOUCHE*

Crayon de retouche Blanc - PIÈCE N° 5304468812
Crayon de retouche Rouge - PIÈCE N° 5304471227
Crayon de retouche Bleu - PIÈCE N° 5304471229
Crayon de retouche Argentés - PIÈCE N° 5304471228
Crayon de retouche Noir - PIÈCE N° 5304458932

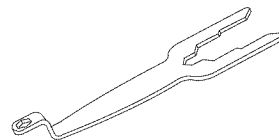
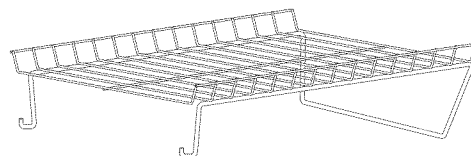
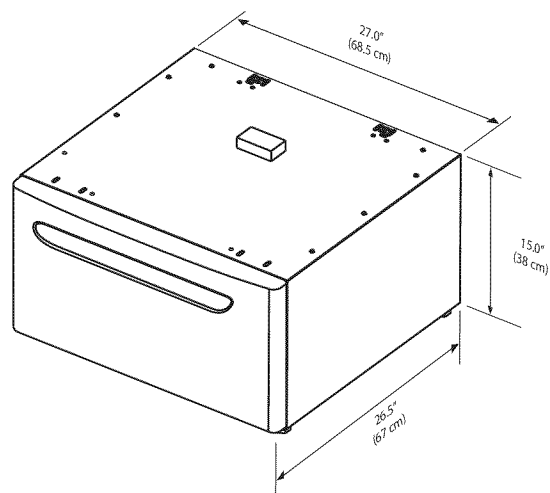
*Il se peut que d'autres couleurs soient disponibles. Communiquez avec le marchand qui vous a vendu votre sècheuse.

Pièces de rechange :

Si vous devez commander des pièces de rechange pour votre sècheuse, communiquez avec le marchand qui vous a vendu votre appareil, ou reportez-vous au guide d'utilisation et d'entretien pour obtenir plus de détails.

ATTENTION

Tout défaut d'utiliser les accessoires fabriqués ou certifiés par le fabricant pourrait entraîner des blessures, des dommages aux biens ou à la sècheuse.



AVERTISSEMENT

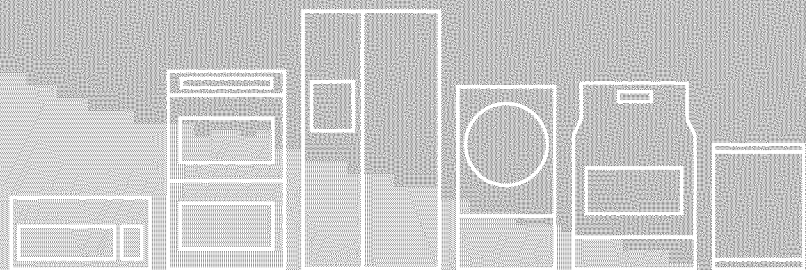
RISQUE ÉLECTRIQUE

Étiquetez tous les fils avant de les débrancher pendant l'entretien des commandes. Des erreurs de câblage pourraient nuire au bon fonctionnement de l'appareil, et même être dangereuses. Vérifiez le bon fonctionnement de l'appareil après tout entretien.

Todo acerca del

Instalación

de su Secadora



ÍNDICE

Instrucciones importantes de seguridad	46-47	Instrucciones de instalación	56-61
Requisitos de instalación	48-54	Inversión de la puerta	62-65
Dimensiones de la secadora instalada	55	Accesorios	66

INSTRUCCIONES IMPORTANTES DE SEGURIDAD

ADVERTENCIA

Para su seguridad, debe seguir la información de esta guía para minimizar el riesgo de incendio o explosión o para evitar daños a la propiedad, lesiones personales o incluso la muerte. No almacene ni utilice gasolina ni otros líquidos o vapores inflamables cerca de este o de cualquier otro electrodoméstico.

ADVERTENCIA - PELIGRO DE INCENDIO

Lea las siguientes instrucciones antes de instalar y utilizar este electrodoméstico:

- Después de desembalar la secadora, destruya los cartones y las bolsas de plástico. Los niños podrían utilizarlos para jugar. Los cartones cubiertos con alfombras, cubrecamas, o láminas de plástico pueden convertirse en cámaras de aire herméticamente cerradas y provocar asfixia. Coloque todos los materiales en un basurero o manténgalos fuera del alcance de los niños.
- La instalación y el servicio de la secadora de ropa deben ser llevados a cabo por un instalador calificado, agencia de servicios o proveedor de gas.
- Instale la secadora de ropa de acuerdo con las instrucciones del fabricante y los códigos locales.
- La reparación eléctrica de la secadora debe cumplir con los códigos y las ordenanzas locales y la última edición del Código Eléctrico Nacional (National Electrical Code), el ANSI/NFPA 70, o bien en Canadá, el CSA C22.1 del Código Eléctrico de Canadá (Canadian Electrical Code) Parte 1.
- El servicio de gas de la secadora debe cumplir con los códigos y las ordenanzas locales, y la última edición del Código de Gas Nacional (National Fuel Gas Code), el ANSI Z223.1, o bien en Canadá, el CAN/CGA B149,1-2000.
- La secadora se diseñó conforme a los códigos ANSI Z 21.5.1 o ANSI/UL 2158 - CAN/CSA C22.2 N.º 112 (últimas ediciones) solo para USO DOMÉSTICO. No se recomienda esta secadora para uso comercial, como por ejemplo, en restaurantes, salones de belleza, etc.
- No utilice materiales de ventilación de plástico ni de papel de aluminio flexibles para instalar la secadora de ropa. Por lo general, dichos materiales se desarman, se deterioran con facilidad y acumulan pelusa. Estas condiciones obstruyen el flujo de aire de la secadora y aumentan el riesgo de incendio.
- No apile la secadora sobre la lavadora si ya está instalada sobre un pedestal. No apile la lavadora sobre la secadora. No apile la lavadora sobre otra lavadora. No apilar secadora encima de la lavadora sin el uso de aprobados por el fabricante y correctamente instalado equipo para apilar apropiado para su modelo.
- Las instrucciones de esta guía y todo el material que se incluye con esta secadora no tienen como propósito cubrir todas las condiciones y situaciones que puedan presentarse. Cuando instale, opere o repare cualquier artefacto DEBE tener cuidado y hacer uso de buenas prácticas de seguridad.

QUÉ HACER SI SIENTE OLOR A GAS:

- No intente encender ningún electrodoméstico.
- No toque ningún interruptor eléctrico; no utilice ningún teléfono en la vivienda.
- Despeje la habitación, el edificio o el área de todos los ocupantes.
- Llame inmediatamente a su proveedor de gas desde el teléfono de un vecino. Siga las instrucciones del proveedor de gas.
- Si no puede ponerse en contacto con el proveedor de gas, llame a los bomberos.

Conserve estas instrucciones para referencia futura.

Requisitos de preinstalación

Herramientas y materiales necesarios para la instalación:

- | | | |
|---|---|---|
| • Pinzas ajustables | • Nivel de carpintero | • Válvula de cierre de línea de gas (secadora a gas) |
| • Destornilladores Philips con punta derecha y cuadrada | • Capucha de ventilación externa | • Adaptadores NPI de unión acampañada (x2) y línea flexible de suministro de gas (secadora a gas) de 1/2' (15,2 cm) |
| • Llave ajustable | • Conducto de escape de metal rígido o semirígido de 4 pulgadas (102 mm) | • Cinta de papel aluminio (no cinta adhesiva aislante) |
| • Llave para tubos de suministro de gas | • Kit de cables de alimentación trifilar o tetrafililar de 240 voltios (secadora eléctrica) | |
| • Cinta aislante resistente al gas LP (para suministro de gas natural o LP) | • abrazadera de 4" (10,2 cm) | |

INSTRUCCIONES IMPORTANTES DE SEGURIDAD


ADVERTENCIA

Lea todas las instrucciones antes de usar este secadora.

Identificación de los símbolos, palabras y avisos de seguridad

Las indicaciones de seguridad incluidas en este manual aparecen precedidas de un aviso titulado "ADVERTENCIA" o "PRECAUCIÓN", de acuerdo con el nivel de riesgo.

Definiciones

 Este es el símbolo de alerta de seguridad. Se usa para alertar sobre peligros potenciales de lesiones personales. Obedezca todos los mensajes de seguridad que tengan este símbolo para evitar posibles lesiones personales o la muerte.

PELIGRO

PELIGRO indica una situación de peligro inminente que, si no se evita, podría causar lesiones graves o la muerte.

ADVERTENCIA

ADVERTENCIA indica una situación potencialmente peligrosa que, si no se evita, podría causar lesiones personales graves o la muerte.

PRECAUCIÓN

PRECAUCIÓN indica una situación potencialmente peligrosa que, si no se evita, podría causar lesiones personales leves o moderadas.

IMPORTANTE

IMPORTANTE indica información de instalación, funcionamiento o mantenimiento que es importante, pero que no está relacionada con la seguridad.

Lista de verificación de instalación

Ventilación de escape

- De flujo libre y sin acumulación de pelusa
- Conductos rígidos o semirígidos de 4" (102 mm) de distancias y giros mínimos
- SIN materiales de ventilación de aluminio o de plástico
- El sistema de evacuación debe ventilar al exterior y contar con una capucha de ventilación aprobada

Nivelación

- La secadora está nivelada de lado a lado y de adelante hacia atrás
- El secadora descansa firmemente sobre sus cuatro esquinas

Suministro de gas (secadora a gas)

- Válvula de cierre manual instalada en la tubería de suministro
- Todas las conexiones selladas con un sellante aprobado y bien apretadas con una llave
- Kit de conversión para el sistema de gas LP
- Suministro de gas abierto
- No hay escapes en ninguna conexión: verifique con agua jabonosa, NUNCA con una llama

Suministro eléctrico de 240V (secadora eléctrica)

- Cordón de servicio eléctrico 10-30R o 10-40R aprobado por la NEMA con todos los tornillos bien apretados en el tablero de terminales
- Dispositivo de liberación de tensión aprobado
- Tapa de acceso a los terminales instalada antes del primer uso

Inversión de la puerta

- Siga las instrucciones detalladas en esta guía
- Pruebe la bisagra y el gancho para asegurarse de que funcionen

Suministro eléctrico

- El suministro eléctrico del hogar está activado
- La secadora está enchufada

Inspección final

- Lea bien las **instrucciones de instalación** y la **guía de uso y cuidado**
- La puerta se cierra y el tambor gira cuando se inicia el ciclo
- Tarjeta de registro enviada

REQUISITOS DE INSTALACIÓN

NOTA

Debido a posibles variaciones en el voltaje, no se recomienda utilizar esta secadora con electricidad generada a partir de generadores a gas, solares, eólicos ni de ninguna otra clase que no sean los empleados por su empresa de electricidad local.

Requisitos eléctricos de la secadora eléctrica:

CIRCUITO: circuito independiente individual de 30 amp. con fusibles de acción retardada o disyuntores. Use circuitos con fusibles separados para la lavadora y la secadora. NO haga funcionar una lavadora y una secadora en el mismo circuito.

SUMINISTRO ELÉCTRICO: trifilar o tetrafilar, 240 V, 1 fase, 60 Hz, corriente alterna.

IMPORTANTE

A menos que haya sido fabricada para la venta en Canadá, esta secadora está conectada a tierra internamente a través de un enlace a un conductor neutro. La conexión a tierra a través del neutro está prohibida para: (1) instalaciones de circuitos de bifurcación nuevos; (2) casas rodantes; (3) vehículos recreativos; y (4) áreas cuyas leyes locales no permiten la puesta a tierra a través del neutro.

RECEPTÁCULO DEL TOMACORRIENTE - receptáculo NEMA 10-30 R o NEMA 14-30 R que debe estar ubicado en un lugar al que pueda acceder el cable de alimentación eléctrica cuando la secadora esté instalada.

CONEXIÓN A TIERRA: consulte "Requisitos de conexión a tierra" en la sección Instalación eléctrica.

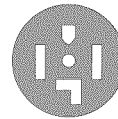
CABLE DE ALIMENTACIÓN ELÉCTRICA TRIFILAR (no incluido)



Receptáculo trifilar
(tipo NEMA 10-30R)

La secadora DEBE emplear un cable de alimentación eléctrica de 3 conductores tipo NEMA 10-30, SRDT calificado para CA mínima de 240 voltios, 30 amp., con 3 conectores de terminal horquilla con extremos doblados hacia arriba o de bucle cerrado y calificados para uso en secadoras de ropa. Para obtener instrucciones sobre la conexión trifilar, consulte CONEXIONES ELÉCTRICAS PARA UN SISTEMA TRIFILAR.

CABLE DE ALIMENTACIÓN ELÉCTRICA TETRAFILAR (no incluido)



Receptáculo tetrafilar
(tipo NEMA 14-30R)

La secadora DEBE emplear un cable de alimentación eléctrica de 4 conductores tipo NEMA 14-30, SRDT o ST (según se especifique) calificado para CA mínima de 240 voltios, 30 amp., con 4 conectores de terminal horquilla con extremos doblados hacia arriba o de bucle cerrado y calificados para uso en secadoras de ropa. Para obtener instrucciones sobre la conexión tetrafilar, consulte CONEXIONES ELÉCTRICAS PARA UN SISTEMA TETRAFILAR.

NOTA

Las secadoras fabricadas para la venta en Canadá vienen con un cable de alimentación eléctrica tetrafilar (NEMA 14-30R) de fábrica.

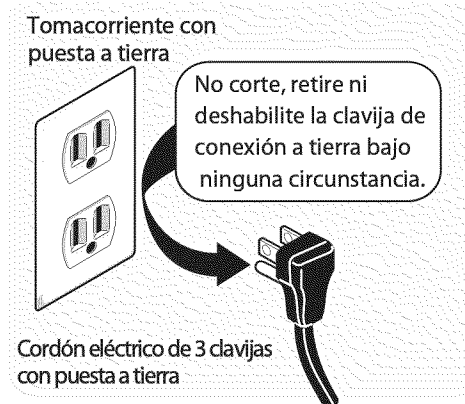
Requisitos eléctricos de la secadora a gas:

CIRCUITO - Circuito individual de bifurcación de 15 amp., correctamente polarizado y con conexión a tierra con fusible de retardo de 15 amp. o con interruptor automático.

SUMINISTRO ELÉCTRICO: corriente alterna de 2 cables, con conexión a tierra, 120 voltios, monofásica, 60 Hz.

CABLE DE ALIMENTACIÓN ELÉCTRICA: la secadora está equipada con un cable de alimentación trifilar de 120 voltios.

CONEXIÓN A TIERRA: consulte "Requisitos de conexión a tierra" en la sección Instalación eléctrica.



Requerimientos del suministro de gas



ADVERTENCIA

PELIGRO DE EXPLOSIÓN

Las tuberías de cobre sin recubrimiento se corroen al exponerse al gas natural, lo que provoca pérdidas de gas. Utilice SOLAMENTE tuberías de hierro negro, acero inoxidable o latón plastificado para el suministro de gas.

- 1 La instalación DEBE realizarse de acuerdo con los códigos locales o, en ausencia de ellos, con el Código de Gas Nacional (National Fuel Gas Code), ANSI Z223.1 (última edición).
- 2 La línea de suministro de gas debe ser un tubo de 1,27 cm (1/2 pulgada).
- 3 Si los códigos lo permiten, se puede utilizar un tubo de metal flexible para conectar la secadora a la línea de suministro de gas. La tubería DEBE ser de acero inoxidable o de latón plastificado.
- 4 La línea de suministro de gas DEBE tener una válvula de cierre individual instalada de conformidad con el Código de Instalación de Gas Natural y Propano B149.1.
- 5 Se DEBE instalar una derivación N.P.T de 0,32 cm (1/8 pulgadas) con tapón roscado, que permita conectar un medidor de prueba, inmediatamente después de la conexión de suministro de gas a la secadora, en contracorriente al flujo de gas.
- 6 La secadora DEBE estar desconectada de la tubería de gas durante cualquier prueba en la que la presión exceda los 3,45 kPa (1/2 psig).
- 7 La secadora DEBE estar aislada de la tubería de gas durante cualquier prueba en la que la presión sea igual o inferior a 3,45 kPa (1/2 psig).
- 8 Las conexiones del suministro de gas deben cumplir con la norma de conexiones de electrodomésticos a gas, ANSI Z21.24.

REQUISITOS DE INSTALACIÓN

Requisitos del sistema de escape

Utilice solo un conducto de metal flexible o rígido de 10,2 cm (4 pulgadas) de diámetro (mínimo) y una capucha de ventilación aprobada que tenga uno o más reguladores de tiro que se abran cuando la secadora esté en funcionamiento. Cuando la secadora se detiene, el regulador de tiro se cierra automáticamente para evitar la corriente de aire y el ingreso de insectos y roedores. Para evitar restringir la salida del conducto, mantenga un espacio mínimo de 30,5 cm (12 pulgadas) entre la capucha de ventilación y el suelo, o cualquier otra obstrucción.



ADVERTENCIA

PELIGRO DE INCENDIO

El no seguir estas instrucciones puede producir tiempos de secado excesivos y peligro de incendio.

Los siguientes son requisitos necesarios para el funcionamiento seguro y correcto de su secadora.

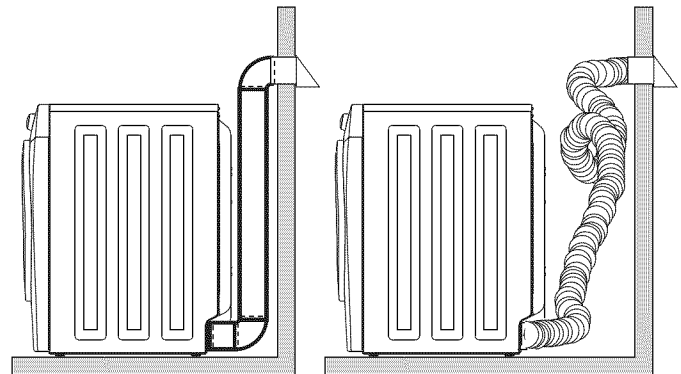


ADVERTENCIA

PELIGRO DE INCENDIO

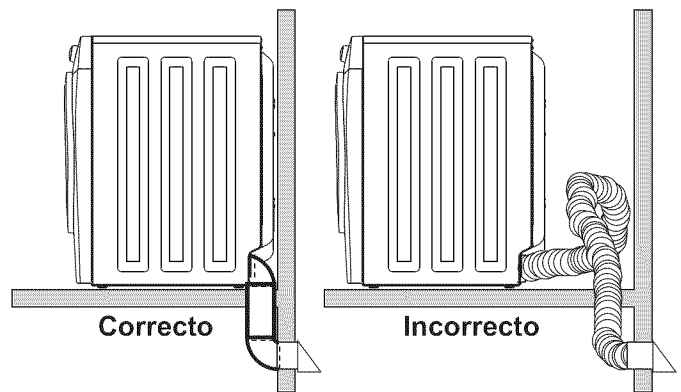
No utilice materiales de ventilación de plástico ni de papel de aluminio flexibles para instalar la secadora de ropa. Por lo general, dichos materiales se desarman, se deterioran con facilidad y acumulan pelusa. Estas condiciones obstruyen el flujo de aire de la secadora y aumentan el riesgo de incendio.

Si su sistema actual está compuesto de un conducto de plástico o papel de aluminio, reemplácelo por un conducto de metal rígido o semirígido. Asegúrese de que el conducto existente no tenga pelusas antes de instalar el conducto de la secadora.



Correcto

Incorrecto



Correcto

Incorrecto

Requisitos del sistema de escape (continuación)

! ADVERTENCIA

PELIGRO DE INCENDIO

Una secadora de ropa debe tener ventilación al exterior. No ventile la secadora a una chimenea, pared, techo, ático, pasajes entre pisos ni ningún espacio oculto de la vivienda. Las secadoras de ropa producen pelusa combustible. Si la secadora no tiene ventilación al exterior, algunas pelusas finas se expulsarán en el área de lavandería. La acumulación de pelusa en cualquier área de la vivienda puede constituir un peligro sanitario y un riesgo de incendio.

La secadora debe estar conectada a un sistema de escape que termine en el exterior de la vivienda. Inspeccione la abertura de escape al exterior con frecuencia y elimine cualquier acumulación de pelusa en la abertura y en el área que la rodea.

! ADVERTENCIA

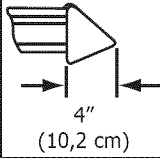
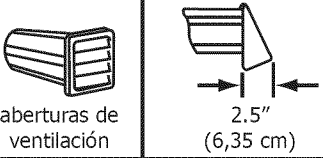
PELIGRO DE INCENDIO

- No permita que materiales combustibles (por ejemplo: ropa, tapicería/cortinas, papel) entren en contacto con el sistema de escape. La secadora NO DEBE tener escape a una chimenea, una pared, un techo ni ningún espacio cerrado de un edificio que pueda acumular pelusa y constituir un peligro de incendio.
- No bloquee los extremos de escape del sistema de ventilación, ni utilice tornillos, remaches ni otros sujetadores que se extiendan hacia la parte interna del conducto para ensamblarlo. Es posible que la pelusa quede atrapada en el filtro, los tornillos o los remaches, lo que puede obstruir la red de conductos y constituir un peligro de incendio, así como también aumentar los tiempos de secado. En la salida del conducto al exterior, utilice una capucha de ventilación aprobada y selle todas las uniones con cinta de papel aluminio. Todos los accesorios macho para tubos DEBEN instalarse teniendo en cuenta el flujo de aire.

! ADVERTENCIA

PELIGRO DE INCENDIO

Si se excede la longitud del tubo del conducto o el número de codos permitidos en las tablas de "LONGITUD MÁXIMA", se pueden acumular pelusas en el sistema de escape. La obstrucción del sistema podría constituir un peligro de incendio, así como aumentar los tiempos de secado.

Cantidad de codos de 90°	LONGITUD MÁXIMA	
	Conducto de metal rígido de 10,2 cm (4 pulgadas)	
	TIPO DE CAPUCHA DE VENTILACIÓN	
	(recomendada)	
	 4" (10,2 cm)	 2,5" (6,35 cm)
	aberturas de ventilación	
0	19.5 m (64 pies)	14.6 m (48 pies)
1	15.9 m (52 pies)	12.2 m (40 pies)
2	13.5 m (44 pies)	9.8 m (32 pies)
3	11 m (36 pies)	7.3 m (24 pies)
4	9.5 m (28 pies)	4.9 m (16 pies)

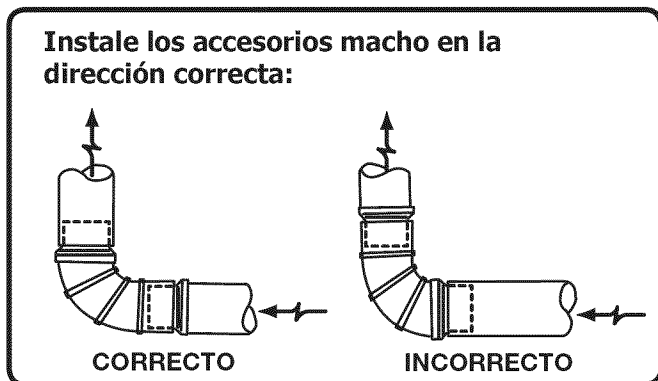
! ADVERTENCIA

PELIGRO DE INCENDIO

- No utilice material de ventilación flexible de plástico o aluminio.
- Si va a instalar conductos de ventilación semirrígidos, no exceda una longitud de 8 pies (2,4 m).

REQUISITOS DE INSTALACIÓN

Requisitos del sistema de escape (continuación)



En instalaciones en las que el sistema de escape no se describa en las tablas, se debe utilizar el siguiente método para determinar si dicho sistema es aceptable:

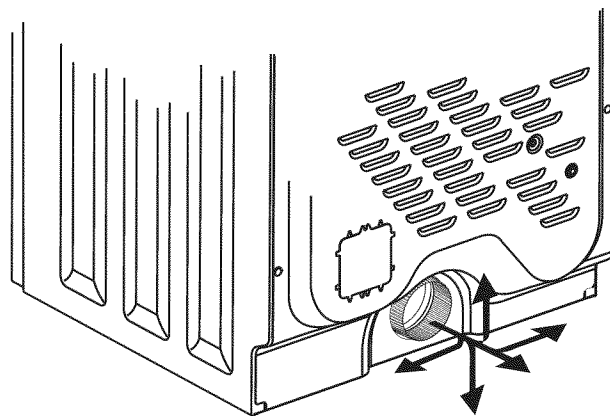
- 1 Conecte un manómetro inclinado o digital entre la secadora y el punto donde el tubo de escape se conecta con la secadora.
- 2 Coloque el temporizador y la temperatura de la secadora en la opción Air fluff - cool down (Esponjado con aire, enfriamiento) y ponga en marcha la secadora.
- 3 Lea la medición del manómetro.
- 4 La contrapresión del sistema **NO DEBE** ser mayor que 1,9 cm (0.75 pulgada) de columna de agua. Si la contrapresión del sistema es menor que 1,9 cm (0.75 pulgada) de columna de agua, el sistema es aceptable. Si la lectura del manómetro es mayor que 1,9 cm (0.75 pulgada) de columna de agua, el sistema es demasiado restrictivo y la instalación es inaceptable.

Si bien la orientación vertical del sistema de escape es aceptable, ciertas circunstancias atenuantes podrían afectar el funcionamiento de la secadora:

- Sólo se debe utilizar una red de conductos de metal rígido.
- Si la ventilación se efectúa en forma vertical a través del techo, es posible que el sistema de escape se vea expuesto a ráfagas descendentes que restringirán la ventilación.
- Si el sistema de escape se extiende a través de un área que no está aislada, puede producirse condensación y una acumulación más rápida de pelusa.
- La compresión o los pliegues del sistema de escape aumentarán la restricción de la ventilación.
- Se debe inspeccionar y limpiar el sistema de escape cada 18 meses como mínimo cuando se le da un uso normal. Cuanto más utilice la secadora, más a menudo deberá comprobar que el sistema de escape y la capucha de ventilación funcionan correctamente.

Dirección del escape

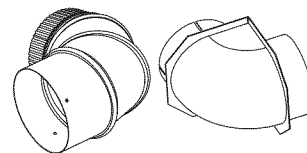
El escape direccional se puede lograr mediante la instalación de un codo de ventilación de giro rápido de 90° directamente en la salida de la secadora. Los codos de ventilación de la secadora se encuentran disponibles a través de su distribuidor de repuestos o ferretería local.



Consulte también los REQUISITOS DE DESPEJE en la siguiente página.

NOTA

Utilice un codo de giro rápido de 90° para cumplir con la profundidad mínima de instalación de la secadora independiente.



Instalación en una casa rodante

- 1 La instalación DEBE cumplir con la actual Norma de Seguridad y Construcción de Casas Rodantes, título 24 CFR, Parte 32-80 (que anteriormente se conocía como la Norma Federal de Seguridad y Construcción de Casas Rodantes [Federal Standard for Mobile Home Construction and Safety], título 24, HUD parte 280) o la Norma CAN/CSAZ240 MH.
- 2 La secadora DEBE tener evacuación al exterior (no a la parte de abajo de la casa rodante) mediante conductos metálicos que no admitan combustión. Los conductos metálicos deben tener un diámetro de 10,16 cm (4 pulgadas) y no deben presentar obstrucciones. Se recomiendan los conductos de metal rígido.
- 3 Si la secadora tiene evacuación a través del piso, y el área debajo de la casa rodante es cerrada, el

sistema de evacuación DEBE terminar fuera del espacio cerrado y el extremo debe quedar sujetado firmemente a la estructura de la casa rodante.

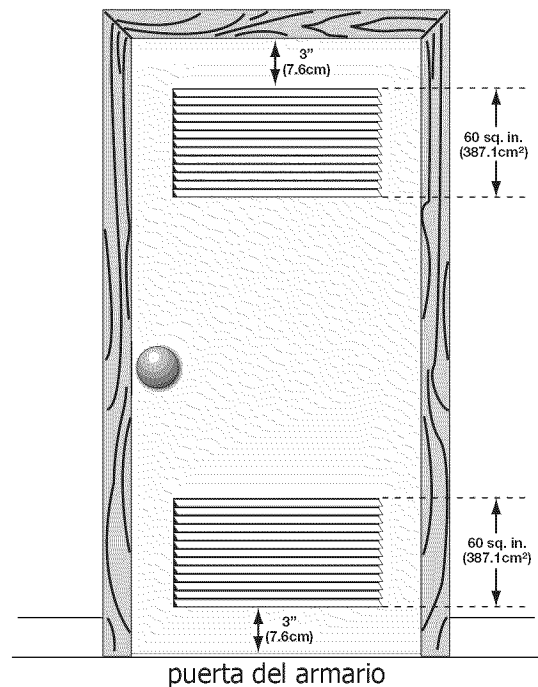
- 4 Para obtener información sobre otros requisitos importantes del sistema de escape, consulte las secciones anteriores de esta guía.
- 5 Cuando se instale una secadora a gas en una casa rodante, se debe dejar espacio en el exterior para la salida de aire. Este espacio debe ser por lo menos el doble del área de la salida de escape de la secadora.
- 6 El técnico de instalación DEBE anclar esta secadora (1) o secadora sobre pedestal (2) al piso usando un kit de instalación para casas rodantes, pieza número 137067200.

Instalación en un Nicho o Armario

- 1 Una secadora instalada en un dormitorio, baño, nicho o armario, DEBE tener ventilación al exterior.
- 2 No se debe instalar ningún otro artefacto de combustión en el mismo armario que la secadora a gas.
- 3 La secadora necesita espacio a su alrededor para que la ventilación sea adecuada.

NO instale la secadora en un armario con puerta maciza.

- 4 Ventilación requerida en la puerta del armario: Se necesita un mínimo de 774,2 cm² (120 pulgadas²) de abertura, dividido en partes iguales en la parte superior e inferior de la puerta. Las aberturas de ventilación deben estar ubicadas a 7,6 cm (3 pulgadas) de la parte superior e inferior de la puerta. Es necesario que las aberturas de aire no estén obstruidas al instalar una puerta. Se acepta una puerta que tenga aberturas de ventilación distribuidas uniformemente en toda la superficie.



REQUISITOS DE INSTALACIÓN

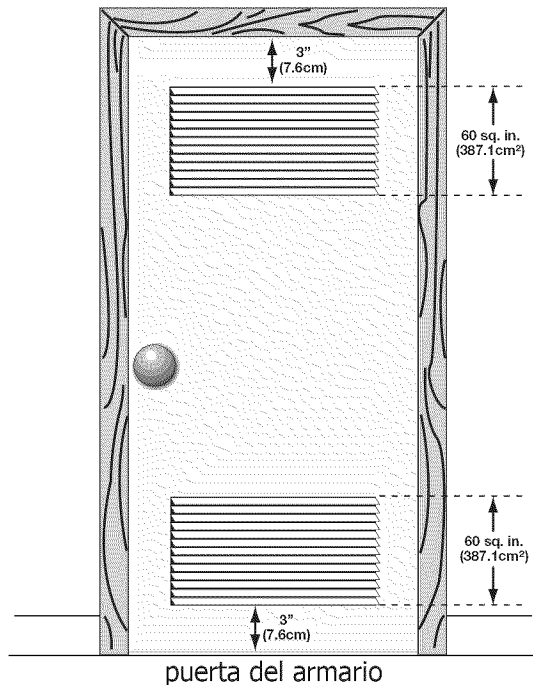
Requisitos de despeje (continuación)

Instalación en un Nicho o Armario

- 1 Una secadora instalada en un dormitorio, baño, nicho o armario, DEBE tener ventilación al exterior.
- 2 No se debe instalar ningún otro artefacto de combustión en el mismo armario que la secadora a gas.
- 3 La secadora necesita espacio a su alrededor para que la ventilación sea adecuada.

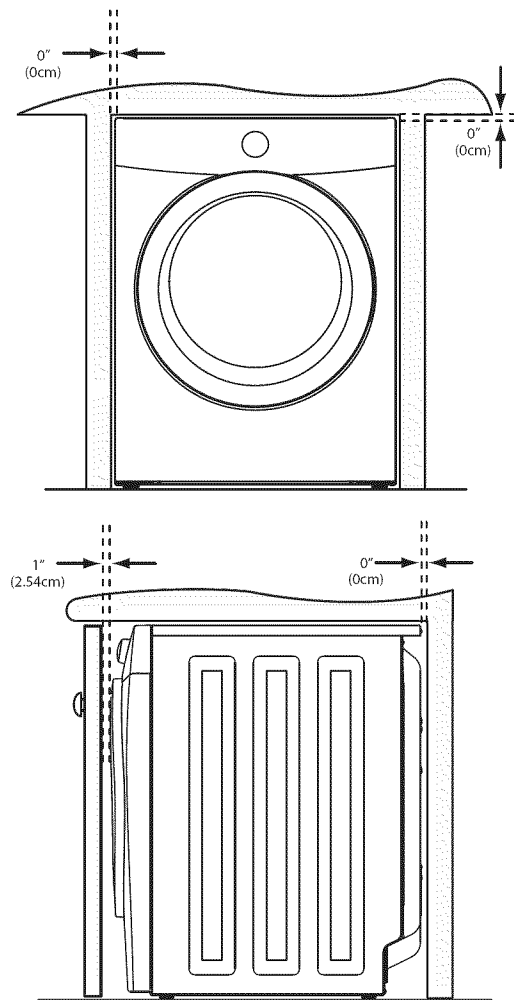
NO instale la secadora en un armario con puerta maciza.

- 4 Ventilación requerida en la puerta del armario: Se necesita un mínimo de 774,2 cm² (120 pulgadas²) de abertura, dividido en partes iguales en la parte superior e inferior de la puerta. Las aberturas de ventilación deben estar ubicadas a 7,6 cm (3 pulgadas) de la parte superior e inferior de la puerta. Es necesario que las aberturas de aire no estén obstruidas al instalar una puerta. Se acepta una puerta que tenga aberturas de ventilación distribuidas uniformemente en toda la superficie.

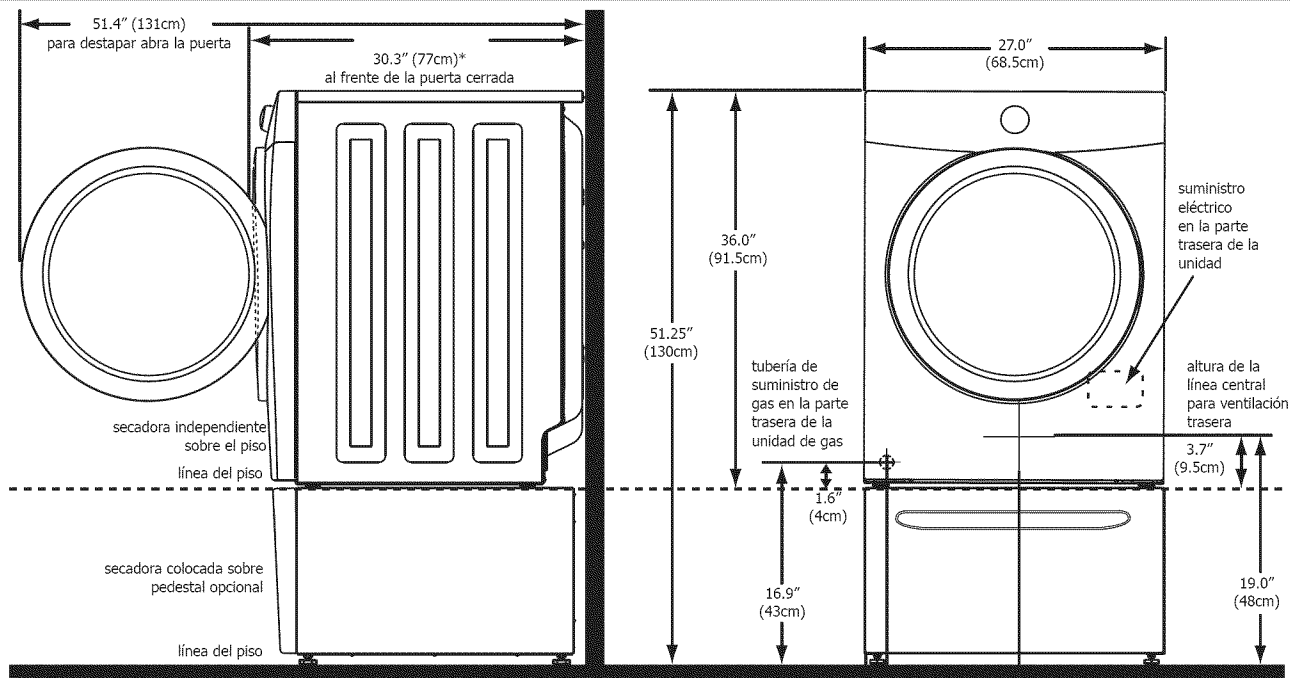


ESPACIOS MÍNIMOS PARA LA INSTALACIÓN: cm (pulgadas)				
	LATERALES	PARTE TRASERA	PARTE SUPERIOR	PARTE DELANTERA
Alcôve	0 cm (0")	0 cm (0")	0 cm (0")	n/d
Sous le comptoir	0 cm (0")	0 cm (0")	0 cm (0")	n/d
Placard	0 cm (0")	0 cm (0")	0 cm (0")	2,5 cm (1")

* La ventilación derecho hacia atrás permite la instalación de la secadora a 0" (0 cm) de la pared.



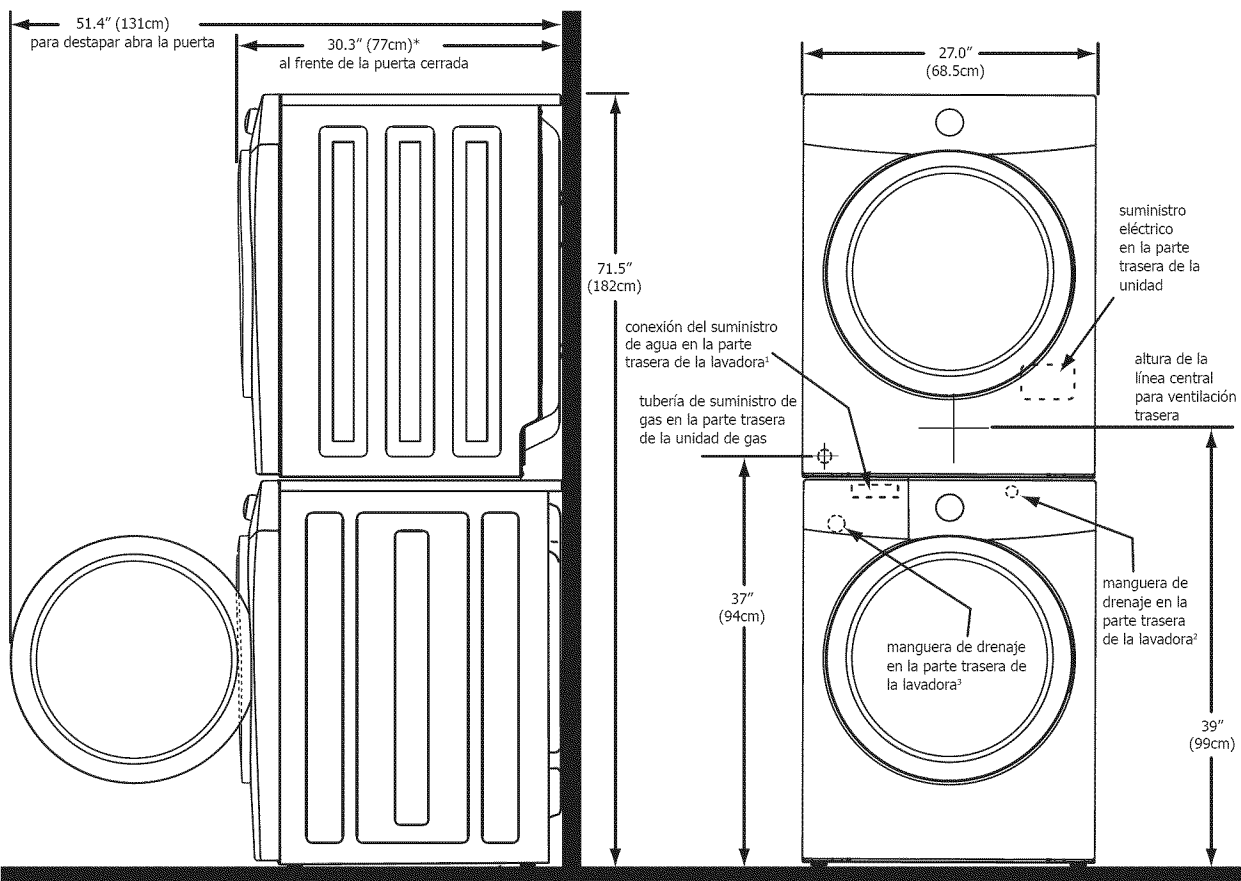
DIMENSIONES DE LA SECADORA INSTALADA



* Para obtener estas dimensiones mínimas de profundidad, la secadora debe ser ventilada derecho hacia atrás. Si se usa un codo de giro rápido de 90° (hacia la derecha o hacia abajo en la secadora independiente), se agregan aproximadamente 0.75" (2 cm) a la profundidad de instalación. Si se orienta el escape de la secadora independiente o sobre un pedestal hacia arriba, la profundidad de instalación aumentará aproximadamente en 4" (10.2 cm). Si se orienta el escape de la secadora independiente o sobre un pedestal hacia la izquierda, la profundidad de instalación aumentará aproximadamente en 3.75" (9.5 cm). Si se orienta el escape de la secadora sobre un pedestal hacia abajo, la profundidad de instalación aumentará aproximadamente en 2.25" (5.7 cm).

3.75" (9.5cm)

13.50" (34.5cm) hacia el centro de la ventilación trasera



* Para obtener estas dimensiones mínimas de profundidad, la secadora debe ser ventilada derecho hacia atrás. Si se usa un codo de 90° (hacia la derecha), se agregan aproximadamente 0.75" (2 cm) a la profundidad de instalación. Si se orienta el escape de la secadora instalada sobre la lavadora hacia arriba, la profundidad de instalación aumentará aproximadamente en 4" (10.2 cm). Si se orienta el escape de la secadora instalada sobre la lavadora hacia abajo, la profundidad de instalación aumentará aproximadamente en 2.25" (6.5 cm). Si se orienta el escape de la secadora instalada sobre la lavadora hacia la izquierda, la profundidad de instalación aumentará aproximadamente en 3.75" (9.5 cm).

¹La longitud de las mangueras de admisión de agua caliente y fría es de aproximadamente 48,5" (123 cm).

²La longitud del cable de alimentación es de aproximadamente 60" (152,5 cm).

³La longitud de la manguera de desagüe es de aproximadamente 59" (150 cm).

INSTRUCCIONES DE INSTALACIÓN

Instalación eléctrica

Los siguientes son requisitos necesarios para la instalación eléctrica segura y correcta de su secadora. El no seguir estas instrucciones puede producir una descarga eléctrica y/o incendio.



ADVERTENCIA

PELIGRO DE DESCARGA ELÉCTRICA

- Este electrodoméstico DEBE estar debidamente conectado a tierra. Si la secadora no está conectada a tierra correctamente, se pueden producir descargas eléctricas. Siga las instrucciones de esta guía para ver cómo se realiza una correcta conexión a tierra.
- No utilice un cable de extensión con esta secadora. Algunos cables de extensión no están diseñados para soportar la cantidad de corriente eléctrica que utiliza esta secadora y pueden derretirse, lo que constituye un peligro de descarga eléctrica y/o incendio. Ubique la secadora en un lugar donde el cable de alimentación que compre esté al alcance del receptáculo, permitiendo que el cable quede holgado. Consulte los requisitos de preinstalación de esta guía para ver cuál es el cable de alimentación correcto que se debe comprar.



ADVERTENCIA

PELIGRO DE DESCARGA ELÉCTRICA

- Debe instalarse, en el cable de alimentación, un dispositivo de liberación de tensión aprobado por U.L. Si no se coloca un dispositivo de liberación de tensión, el cable podría desenchufarse de la secadora y cortarse por cualquier movimiento, y provocar así una descarga eléctrica.
- No utilice un receptáculo con cableado de aluminio para un enchufe y cable de alimentación con cables de cobre (o viceversa). La reacción química que tiene lugar entre el cobre y el aluminio puede causar cortocircuitos eléctricos. El receptáculo y el cableado correcto consiste en un cable de alimentación con alambres de cobre con un receptáculo de cables de cobre.



NOTA

Las secadoras que funcionan con 208 voltios de corriente eléctrica tendrán tiempos de secado más prolongados que las que funcionan con 240 voltios de corriente eléctrica.

Requisitos de conexión a tierra: secadora eléctrica (Estados Unidos)



ADVERTENCIA

PELIGRO DE DESCARGA ELÉCTRICA

Una conexión incorrecta del conductor de conexión a tierra del equipo puede provocar un peligro de descarga eléctrica. Si no está seguro de haber realizado correctamente la conexión a tierra del artefacto, consulte a un electricista autorizado.

Para una secadora conectada a tierra:

- 1 La secadora DEBE tener conexión a tierra. En el caso de que la secadora no funcione correctamente o se descomponga, la conexión a tierra reduce el riesgo de descarga eléctrica porque ofrece una trayectoria de menor resistencia para la corriente eléctrica.
- 2 Después de comprar e instalar un cable de alimentación trifilar o tetrafilar con un conductor de conexión a tierra, el enchufe DEBE estar conectado

a un receptáculo adecuado con cable de cobre correctamente instalado y con conexión a tierra, de acuerdo con todos los códigos y las ordenanzas locales. Ante cualquier duda, comuníquese con un electricista autorizado.

- 3 NO realice modificaciones al enchufe que se proporciona con este artefacto. Si no calza en el tomacorrientes, pídale a un electricista calificado que instale un tomacorrientes adecuado.

Para una secadora conectada de forma permanente:

- 1 La secadora DEBE estar conectada a un sistema de cableado permanente de metal conectado a tierra, o bien se debe colocar un conductor de conexión a tierra con los conductores del circuito y debe estar conectado al terminal de conexión a tierra del equipo o al cable a tierra del artefacto.

Requisitos de conexión a tierra: secadora eléctrica (Canadá)



ADVERTENCIA

PELIGRO DE DESCARGA ELÉCTRICA

Una conexión incorrecta del conductor de conexión a tierra del equipo puede provocar un peligro de descarga eléctrica. Si no está seguro de haber realizado correctamente la conexión a tierra del artefacto, consulte a un electricista autorizado.

Para una secadora conectada a tierra:

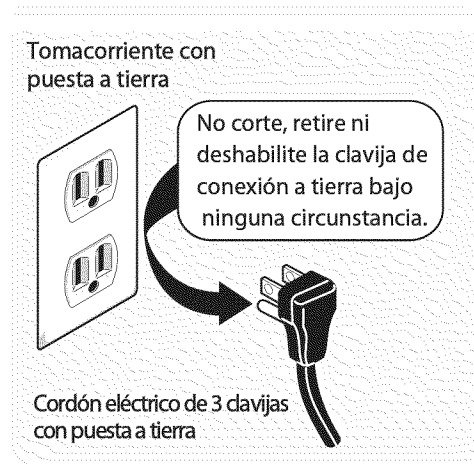
- 1 La secadora DEBE tener conexión a tierra. En el caso de que la secadora no funcione correctamente o se descomponga, la conexión a tierra reduce el riesgo de descarga eléctrica porque ofrece una trayectoria

de menor resistencia para la corriente eléctrica.

- 2 Debido a que la secadora está equipada con un cable de alimentación eléctrica que cuenta con un conductor de conexión a tierra, el enchufe debe estar conectado a un tomacorriente correctamente instalado y con conexión a tierra, de acuerdo con todos los códigos y las ordenanzas locales. Ante cualquier duda, comuníquese con un electricista autorizado.
- 3 NO realice modificaciones al enchufe que se proporciona con este artefacto. Si no calza en el tomacorrientes, pídale a un electricista calificado que instale un tomacorrientes adecuado.

Requisitos de conexión a tierra: secadora a gas (Estados Unidos y Canadá)

- 1 La secadora está equipada con un enchufe de tres patas (conexión a tierra) para evitar el peligro de electrocución y debe estar conectada directamente a un receptáculo de enchufe de tres patas que cuente con una conexión a tierra adecuada.
- 2 El enchufe debe estar conectado a un tomacorriente correctamente instalado y con conexión a tierra, de acuerdo con todos los códigos y las ordenanzas locales. Ante cualquier duda, comuníquese con un electricista autorizado.
- 3 NO realice modificaciones al enchufe que se proporciona con este artefacto. Si no calza en el tomacorrientes, pídale a un electricista calificado que instale un tomacorrientes adecuado.



INSTRUCCIONES DE INSTALACIÓN

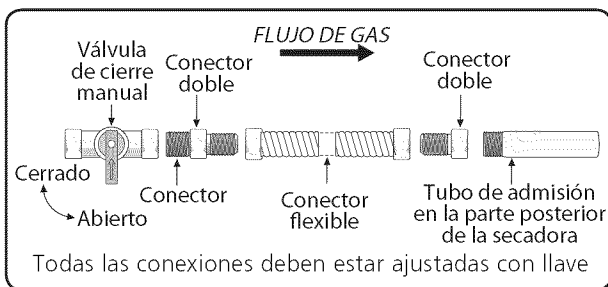
Conexión de gas

- 1 Quite el tapón del tubo de gas en la parte trasera de la secadora.

➔ IMPORTANTE

NO conecte la secadora al servicio de gas LP sin convertir la válvula de gas. El kit de conversión a gas LP debe ser instalado por un técnico calificado.

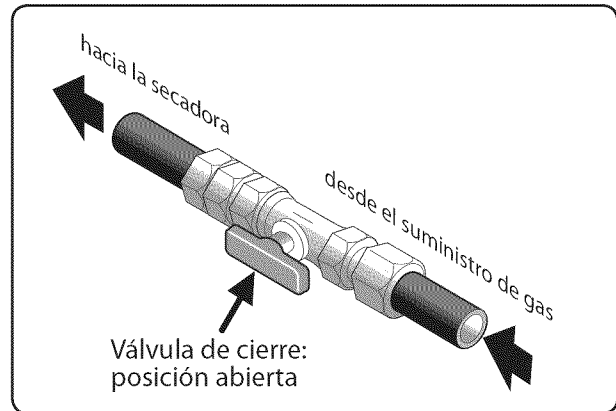
- 2 Conecte un tubo aprobado o uno semi-rígido de 1,27 cm (1/2 pulgada) de diámetro interior desde la línea de suministro de gas al tubo de 0,96 cm (3/8 pulgada) ubicado en la parte trasera de la secadora. Utilice un reductor de 1,27 cm a 0,96 cm (1/2 pulgada a 3/8 pulgada) para realizar la conexión. Aplique un sellador para roscas que sea resistente a la acción corrosiva de los gases licuados en todas las conexiones de los tubos.



➔ IMPORTANTE

La línea de suministro de gas debe estar equipada con una válvula de cierre manual aprobada. Esta válvula debe estar ubicada en la misma habitación que la secadora, en una ubicación que permita la facilidad de apertura y cierre. No bloquee el acceso a la válvula de cierre de gas.

- 3 Abra la válvula de cierre de la línea de suministro de gas para que el gas fluya a través de la tubería. Espere unos minutos a que el gas fluya a través de la línea de suministro de gas.



- 4 Utilice un manómetro para verificar que no haya fugas en el suministro de gas. Si no cuenta con un manómetro, pruebe todas las conexiones aplicando agua jabonosa en estas.



ADVERTENCIA

PELIGRO DE EXPLOSIÓN

NUNCA compruebe si hay fugas de gas con una llama abierta.

INSTRUCCIONES DE INSTALACIÓN

Conexión eléctrica (fuera de Canadá): trifilar



Receptáculo trifilar
(tipo NEMA 10-30R)



ADVERTENCIA

PELIGRO DE DESCARGA ELÉCTRICA

El no desconectar el suministro eléctrico antes de realizar cualquier reparación puede ocasionar lesiones personales o incluso la muerte.

- 1 Desconecte el suministro eléctrico del tomacorriente.
- 2 Extraiga el tornillo que sujeta la cubierta de acceso del bloque terminal que se encuentra en la esquina inferior de la parte trasera de la secadora.
- 3 Instale un dispositivo de liberación de tensión aprobado por U.L., de acuerdo con las instrucciones relativas al cable de alimentación/dispositivo de liberación de tensión del fabricante, en el orificio de entrada del cable de alimentación debajo del panel de acceso. En este momento, el dispositivo de liberación de tensión debe estar holgadamente en su lugar.
- 4 Pase un cable de alimentación aprobado por U.L. DESENCHUFADO, de 30 amp. tipo NEMA 10-30, SRDT a través del dispositivo de liberación de tensión.
- 5 Conecte el conductor neutro (cable del centro) del cable de alimentación al terminal PLATEADO del centro del bloque terminal. Ajuste el tornillo con firmeza.
- 6 Conecte los dos conductores externos restantes del cable de alimentación a los terminales externos de color LATÓN del bloque terminal. Ajuste los dos tornillos con firmeza.



ADVERTENCIA

PELIGRO DE DESCARGA ELÉCTRICA

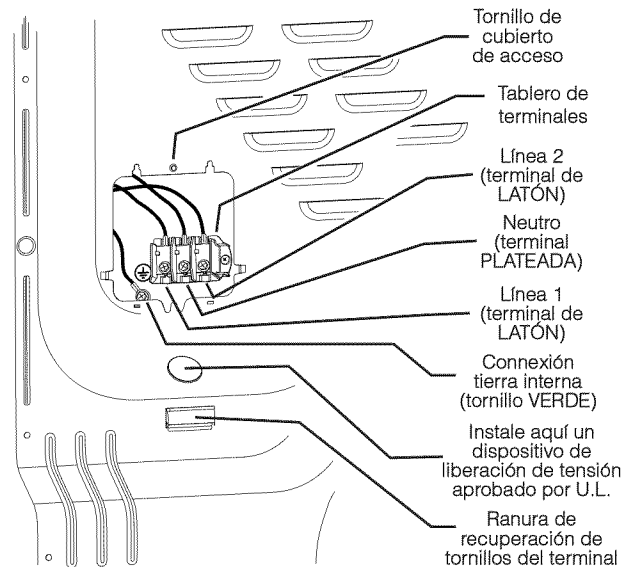
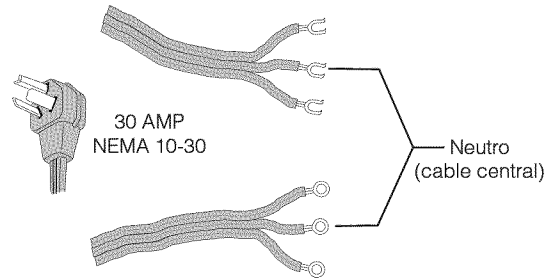
No forme un ángulo agudo con el cableado/conductor, ni los doble en el punto de conexión.

- 7 Siga las pautas del fabricante para sujetar firmemente el dispositivo de liberación de tensión y el cable de alimentación.
- 8 Vuelva a instalar la cubierta del bloque terminal.



IMPORTANTE

Para mover la secadora desde un sistema tetrafilar e instalarla en un sistema trifilar, mueva la conexión a tierra interna del terminal central nuevamente hacia el tornillo VERDE que se encuentra junto al bloque terminal.

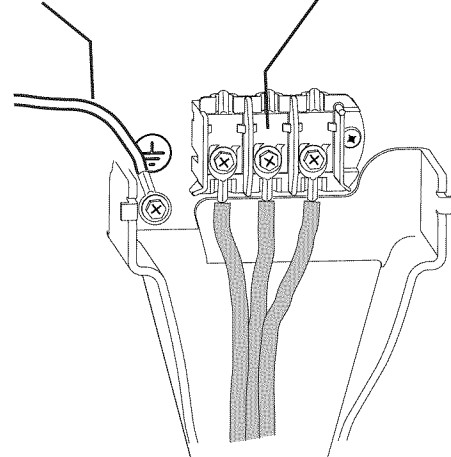


NOTA

Si un tornillo del terminal se cae durante la instalación del cable, se puede recuperar en la ranura de recuperación de tornillos del terminal que se encuentra debajo del panel de acceso.

¡NO retire la conexión interna a tierra en los sistemas trifilares!

Terminal neutro



INSTRUCCIONES DE INSTALACIÓN

Conexión eléctrica (fuera de Canadá): tetrafilar



Receptáculo tetrafilar
(tipo NEMA 14-30R)



ADVERTENCIA

PELIGRO DE DESCARGA ELÉCTRICA

El no desconectar el suministro eléctrico antes de realizar cualquier reparación puede ocasionar lesiones personales o incluso la muerte.

- 1 Desconecte el suministro eléctrico del tomacorriente.
- 2 Extraiga el tornillo que sujeta la cubierta de acceso del bloque terminal que se encuentra en la esquina inferior de la parte trasera de la secadora.
- 3 Instale un dispositivo de liberación de tensión aprobado por U.L., de acuerdo con las instrucciones relativas al cable de alimentación/dispositivo de liberación de tensión del fabricante, en el orificio de entrada del cable de alimentación debajo del panel de acceso. En este momento, el dispositivo de liberación de tensión debe estar holgadamente en su lugar.
- 4 Pase un cable de alimentación aprobado por U.L. DESENFUFADO, de 30 amp. tipo NEMA 14-30, SRDT o ST a través del dispositivo de liberación de tensión.
- 5 Desconecte el cable interno (BLANCO) de conexión a tierra que integra el enchufe preformado de la secadora del tornillo de conexión a tierra (VERDE) que está junto al bloque terminal.
- 6 Conecte el cable de conexión a tierra (VERDE) del cable de alimentación al gabinete utilizando el tornillo (VERDE) de conexión a tierra. Ajuste el tornillo con firmeza.
- 7 Mueva el cable interno (BLANCO) de conexión a tierra que integra el enchufe preformado de la secadora al bloque terminal y conéctelo junto con el conductor neutro (BLANCO) del cable de alimentación al terminal PLATEADO del centro del bloque terminal. Ajuste el tornillo con firmeza.
- 8 Conecte los conductores ROJO y NEGRO del cable de alimentación a los terminales externos de color LATÓN del bloque terminal. Ajuste los dos tornillos con firmeza.

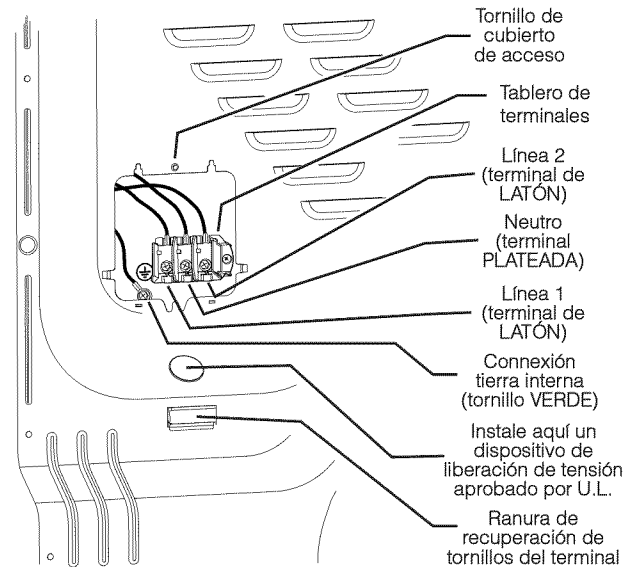
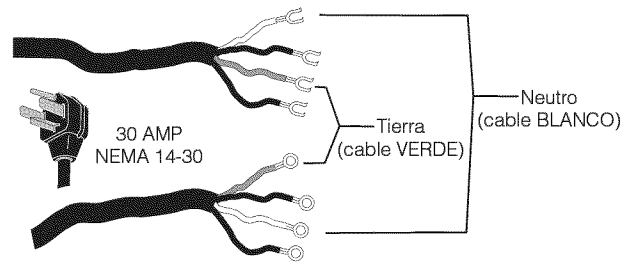


ADVERTENCIA

PELIGRO DE DESCARGA ELÉCTRICA

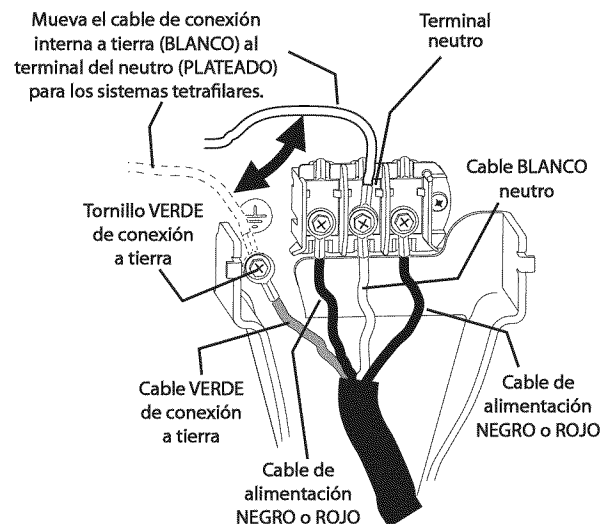
No forme un ángulo agudo con el cableado/conductor, ni los doble en el punto de conexión.

- 9 Siga las pautas del fabricante para sujetar firmemente el dispositivo de liberación de tensión y el cable de alimentación.
- 10 Vuelva a instalar la cubierta del bloque terminal.



NOTA

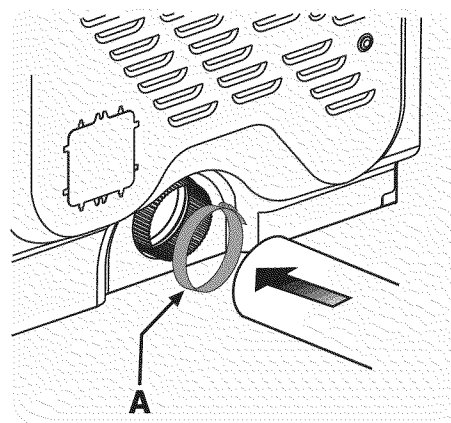
Si un tornillo del terminal se cae durante la instalación del cable, se puede recuperar en la ranura de recuperación de tornillos del terminal que se encuentra debajo del panel de acceso.



INSTRUCCIONES DE INSTALACIÓN

Instalación general

- 1 Conecte el tubo de escape al sistema de escape exterior (consulte las páginas 46 a 50). Se recomienda usar una abrazadera (pieza A) de 4" (10,2 cm) para conectar la secadora al sistema de ventilación de escape. Utilice cinta de papel de aluminio para sellar las demás uniones.
- 2 Utilice un nivel de carpintero para nivelar todos los costados de la secadora.
- 3 Utilice las pinzas ajustables para ajustar las patas niveladoras de modo que la secadora esté nivelada en relación con todos sus lados, atrás/adelante y derecha/izquierda, y estabilizada en las cuatro esquinas.
- 4 Presione hacia abajo las distintas esquinas y lados para asegurarse de que no haya vibración alguna. Ajuste las patas correspondientes de modo que la lavadora descansa firmemente en el piso sobre las CUATRO patas. Mantenga la extensión de las patas niveladoras al mínimo para un mejor rendimiento de la secadora.

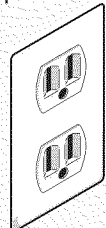


▶ IMPORTANTE

Revise la caja del interruptor automático/fusibles para asegurarse de que la electricidad esté desconectada antes de conectar el cable de alimentación al tomacorriente.

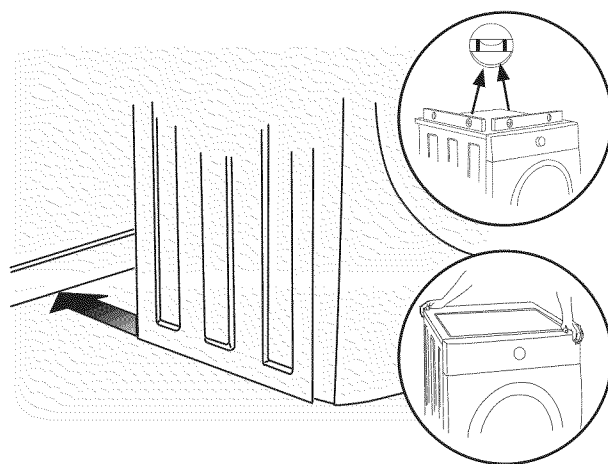
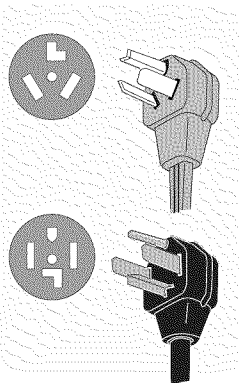
- 5 Conecte el cable de alimentación a un tomacorriente con conexión a tierra.

Tomacorriente con puesta a tierra



No corte, retire ni deshabilite la clavija de conexión a tierra bajo ninguna circunstancia.

Cordón eléctrico de 3 clavijas con puesta a tierra



- 6 Conecte la electricidad desde la caja del interruptor automático/fusibles.
- 7 Consulte la Guía de uso y cuidado que se proporciona con la secadora. Dicha guía contiene información útil y valiosa que le ahorrará tiempo y dinero.
- 8 Si tiene alguna pregunta durante el funcionamiento inicial, repase la "Lista de control para evitar el servicio técnico" de su Guía de uso y cuidado antes de llamar al servicio técnico.
- 9 Guarde estas instrucciones cerca de la secadora para referencia futura.

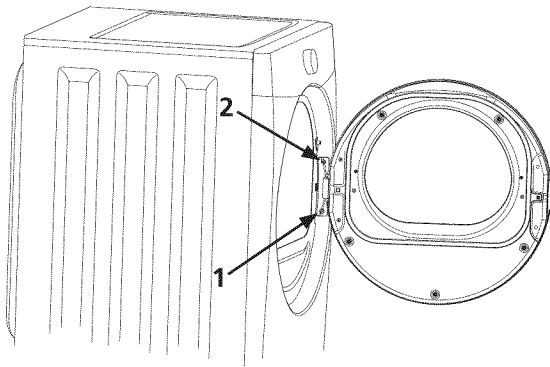
📌 NOTA

Dentro de la consola de la secadora, encontrará una hoja de información técnica y un diagrama de cableado.

INVERSIÓN DE LA PUERTA

Cómo extraer la puerta

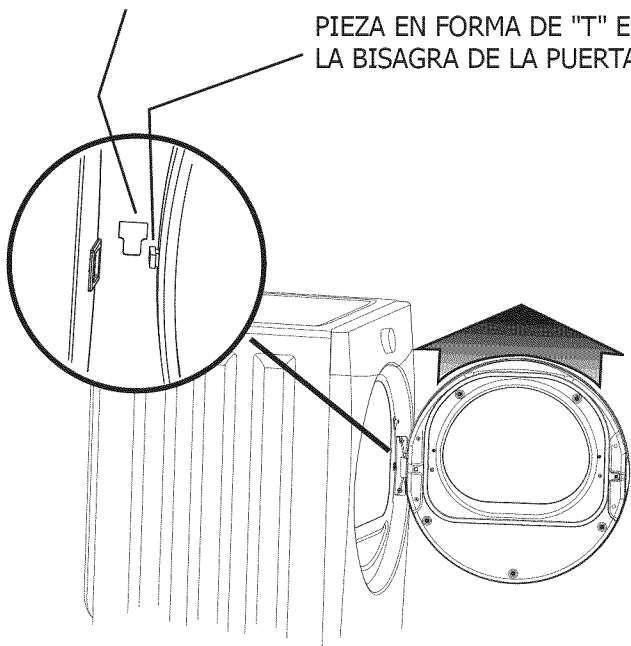
- 1 Proteja las superficies de trabajo planas, como la parte superior de la secadora o el piso cerca de ésta utilizando un paño o toalla suave.
- 2 Abra la puerta de la secadora y retire los dos tornillos de la bisagra. Retire el tornillo inferior primero y luego el tornillo superior.



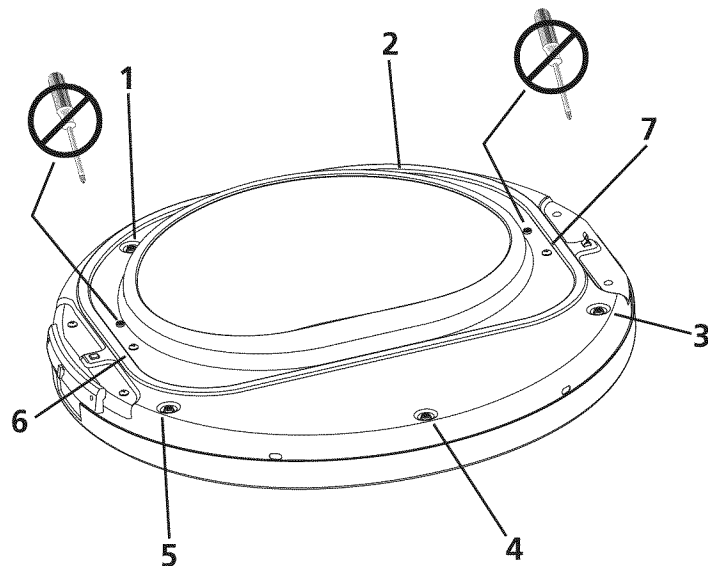
- 3 Mientras sostiene la puerta con ambas manos, levante la puerta y la bisagra derecho hacia arriba aproximadamente 3/8" (10 mm) de manera que la pieza en forma de "T" pueda pasar por la ranura en forma de "T" en el panel delantero.

RANURA EN FORMA DE "T"
EN EL PANEL DELANTERO

PIEZA EN FORMA DE "T"
EN LA BISAGRA DE LA PUERTA



- 4 Coloque cuidadosamente la puerta de la secadora sobre una superficie de trabajo plana y protegida con la superficie exterior hacia abajo.
- 5 Ubique los 5 tornillos de cabeza corrugada (no. 1-5) en las muescas circulares pequeñas (en las posiciones relativas al reloj de las 11, 1, 4, 6, y 8) de la puerta interior. Retire y guarde estos 5 tornillos.



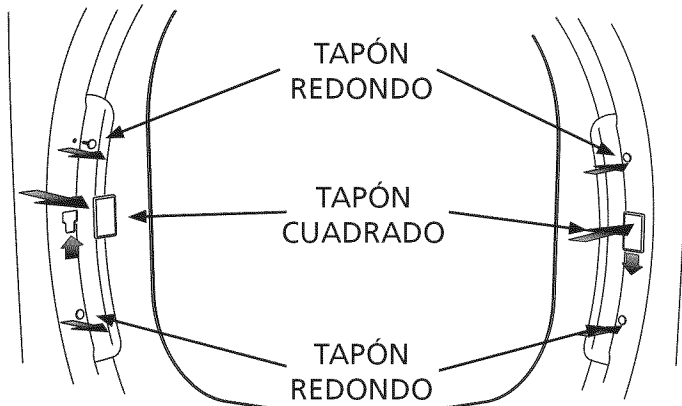
➔ IMPORTANTE

No intente retirar los 2 tornillos "irremovibles" que sostienen el vidrio en su lugar.

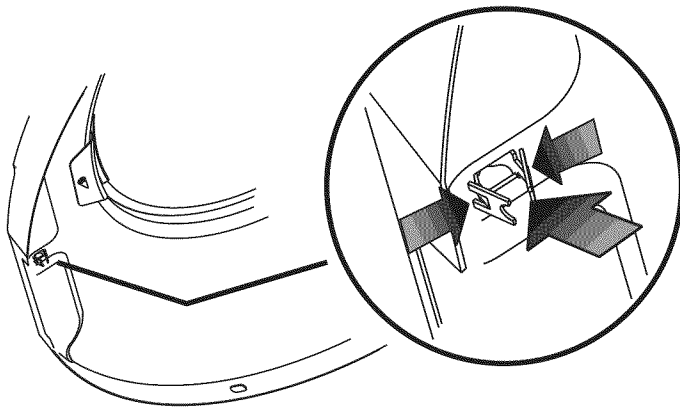
- 6 Ubique los 2 tornillos de cabeza alomada (no. 6-7) en la puerta interior cerca del pestillo de metal y del centro de la bisagra (en las posiciones relativas al reloj de las 9 y 3). Retire y guarde estos 2 tornillos.
- 7 Separe el conjunto de la puerta interior del conjunto de la puerta exterior.

Inversión de la bisagra

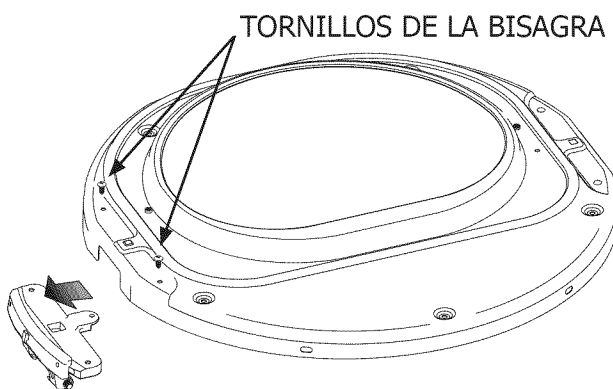
- 1 Retire cuidadosamente los dos tapones redondos del panel delantero y guárdelos. Retire y guarde la cubierta cuadrada de la ranura en forma de "T" deslizando hacia arriba y tirando de ella para retirarla. Mueva los 3 tapones al lado opuesto del panel delantero.



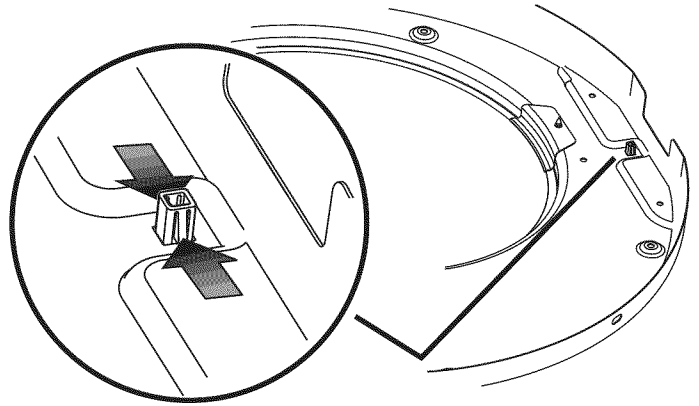
- 2 Voltee el conjunto de la puerta para exponer las lengüetas restantes del pestillo de metal. Sostenga las lengüetas completamente con alicates para retirarlas. Deseche el pestillo de metal viejo.



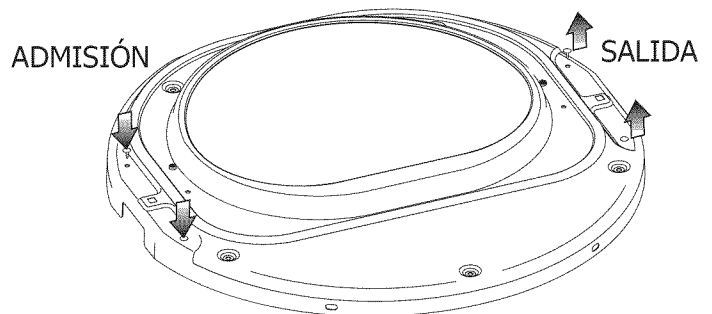
- 3 Vuelva a voltear el conjunto de la puerta interior y ubique los 2 tornillos de cabeza alomada de la bisagra. Retire y guarde estos 2 tornillos y separe la bisagra del conjunto de la puerta interior.



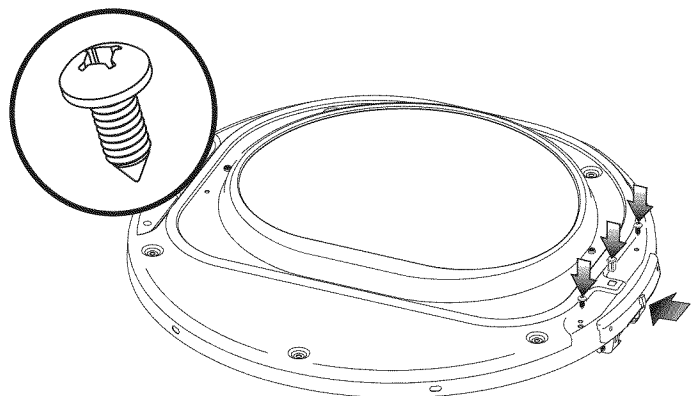
- 4 Desde la parte trasera de la puerta interior, presione las lengüetas de retención del tapón de plástico cuadrado para liberarlo. Guarde el tapón cuadrado para volver a instalarlo más adelante.



- 5 Retire cuidadosamente los 2 tapones redondos de la puerta interior y muévalos a los agujeros opuestos para reinstalarlos.



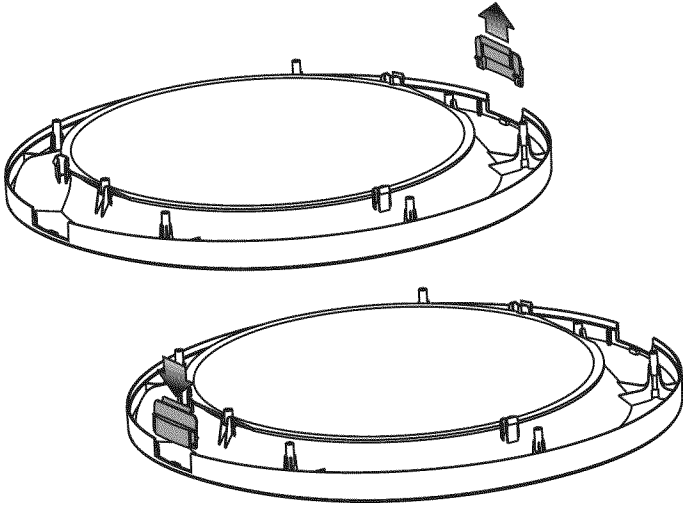
- 6 Gire la bisagra y muévala al lado opuesto de la puerta interior. Fíjela con los 2 tornillos de cabeza alomada que retiró anteriormente. Vuelva a instalar el tapón plástico en el agujero cuadrado junto a la bisagra.



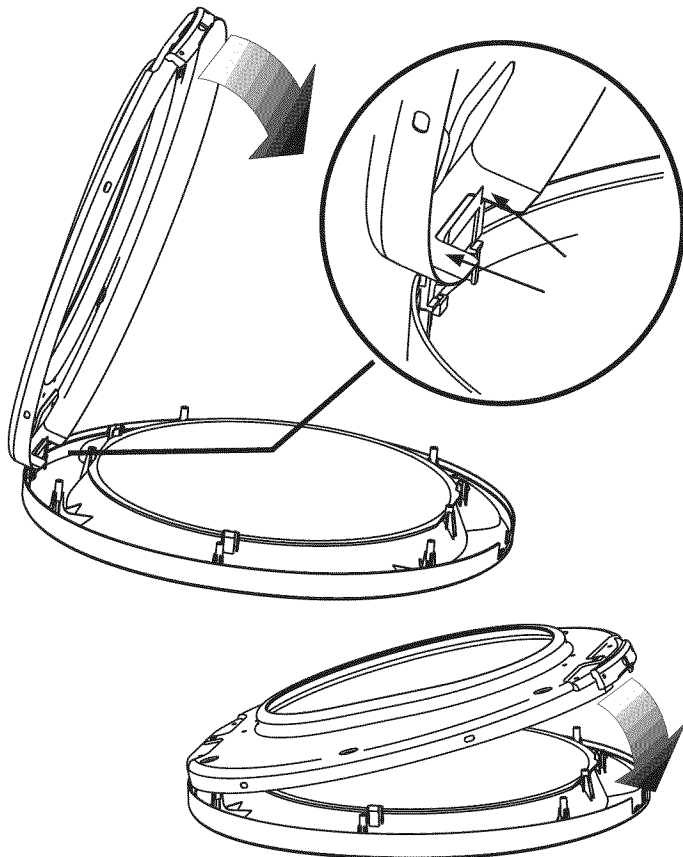
INVERSIÓN DE LA PUERTA

Reensamblaje de la puerta

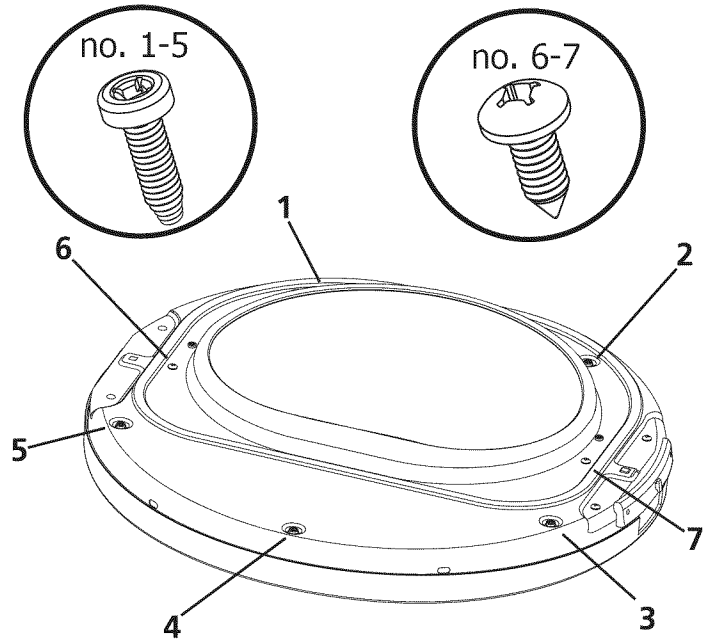
- 1 Ubique y retire la compuerta del recorte de la bisagra del conjunto de la puerta exterior. Gírela y muévala al agujero opuesto en la puerta exterior.



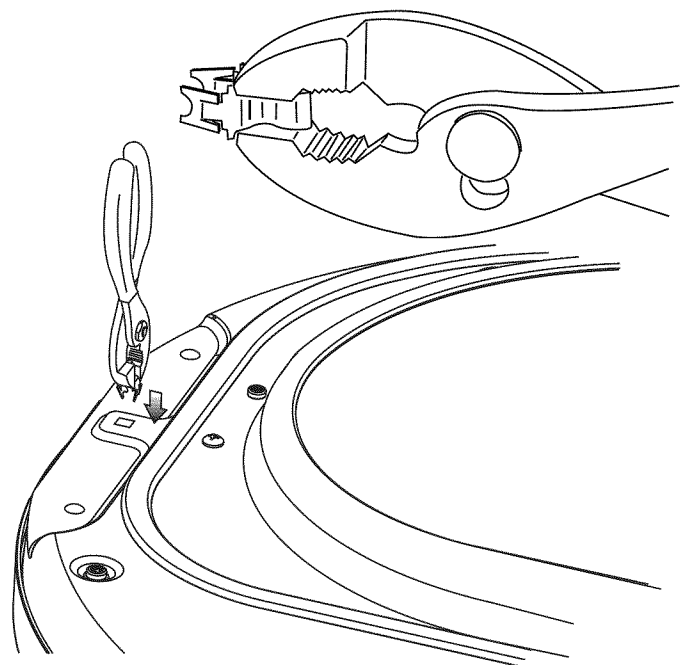
- 2 Recueste la abertura de la puerta interior a un ángulo de 90 grados sobre los "hombros" de la compuerta del recorte de la bisagra. Gire la puerta interior hacia abajo sobre la puerta exterior.



- 3 Vuelva a instalar los tornillos de cabeza corrugada (no. 1-5) retirados anteriormente. Tenga cuidado de no dañar la rosca de los agujeros de plástico.
- 4 Vuelva a instalar los tornillos de cabeza alomada (no. 6-7) retirados anteriormente. Tenga cuidado de no dañar la rosca de los agujeros de plástico.



- 5 Ubique el nuevo pestillo de metal proporcionado con los manuales de la secadora. Sostenga el pestillo nuevo con alicates como se muestra abajo. Inserte firmemente el pestillo de manera que quede en posición vertical.

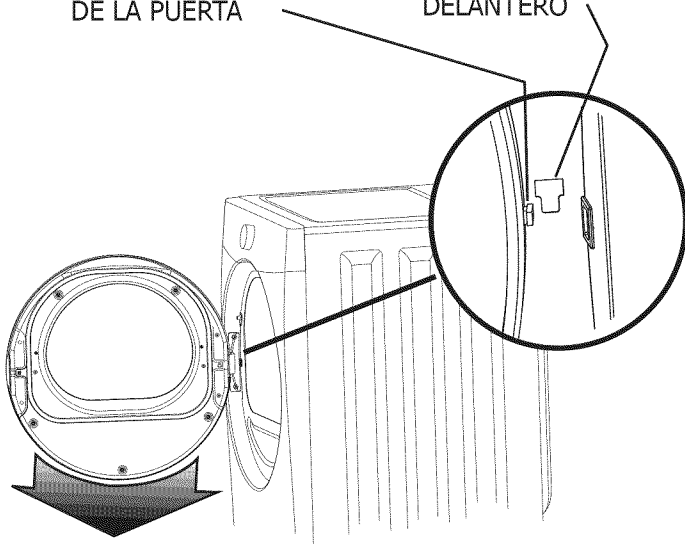


Reinstalación de la puerta

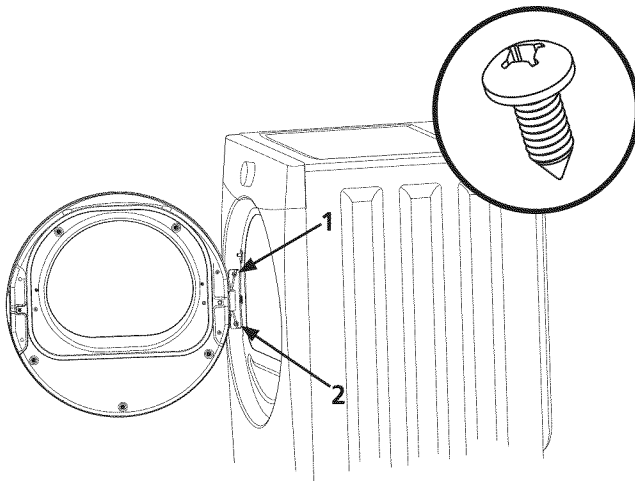
- 1 Mientras sostiene la puerta con ambas manos, introduzca la pieza en forma de "T" que se encuentra en la parte trasera de la bisagra en la ranura en forma de "T" del panel delantero y baje la puerta para alinear los agujeros de instalación.

PIEZA EN FORMA DE "T" EN LA BISAGRA DE LA PUERTA

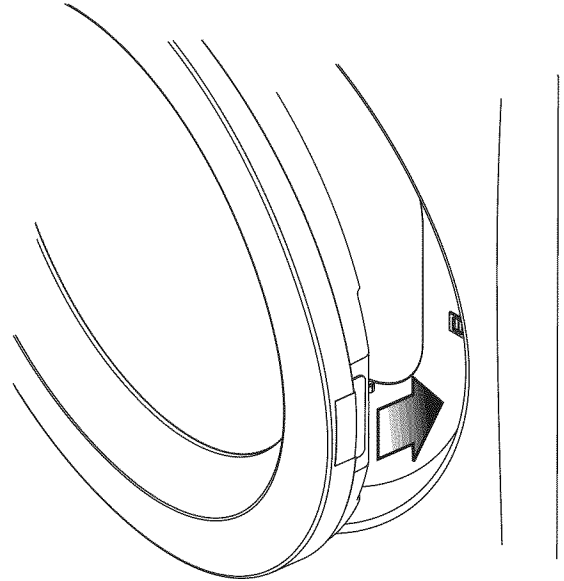
RANURA EN FORMA DE "T" EN EL PANEL DELANTERO



- 2 Mientras apoya la puerta, instale el tornillo de cabeza alomada superior primero y luego el inferior.



- 3 Cierre la puerta y verifique que la bisagra, el pestillo y el gancho funcionen correctamente.



NOTA

Los tornillos instalados correctamente presionarán la bisagra hasta que quede al ras del panel delantero. Cualquier espacio que quede entre la bisagra y el panel delantero hará que el pestillo y el gancho queden desalineados.

ACCESORIOS

PEDESTAL DE ALMACENAMIENTO CONCORDANTE*

- Pedestal de color blanco - P/N CFPWD15W
- Pedestal de color azul - P/N CFPWD15N
- Pedestal de color rojo - P/N CFPWD15R
- Pedestal de color plateada - P/N CFPWD15A
- Pedestal de color negra - P/N CFPWD15B

Un accesorio de pedestal de almacenamiento, especialmente diseñado para esta secadora, se puede utilizar para elevar la secadora y facilitar su uso. Dicho pedestal agregará aproximadamente 38,1 cm (15 pulgadas) a la altura de su unidad para una altura total de 134,62 cm (53 pulgadas).

*Es posible que hayan otros colores disponibles. Póngase en contacto con el distribuidor donde adquirió la secadora.

KIT DE SECADORA PARA CENTRO DE LAVADO

Pieza No.. 134700400

Dependiendo del modelo que haya comprado, es posible que esta secadora incluya un kit para instalarla sobre la lavadora correspondiente. Si el modelo que adquirió no incluye un kit de instalación sobre la lavadora o desea un kit diferente, puede pedir uno.

KIT DE CONVERSIÓN A GAS LP

Pieza No.. PCK4200

Las secadoras a gas diseñadas para el uso en lugares con suministro de LP requieren utilizar un kit de conversión antes de la instalación.

KIT DE INSTALACIÓN EN UNA CASA RODANTE

Pieza No.. 137067200

La instalación en una casa rodante requiere utilizar el KIT DE INSTALACIÓN EN UNA CASA RODANTE.

REJILLA DE SECADO

Pieza No.. 1370067300

Dependiendo del modelo que haya comprado, es posible que esta secadora incluya una rejilla de secado. Si el modelo que adquirió no incluye una rejilla de secado o desea una rejilla adicional, puede pedir una.

LLAVE UNIVERSAL PARA ELECTRODOMÉSTICOS

Pieza No.. 137019200

También puede pedir una LLAVE UNIVERSAL PARA ELECTRODOMÉSTICOS para ayudarlo a ajustar las patas de las secadoras, lavadoras o pedestales.

MARCADORES DE PINTURA DE RETOQUE*

- Marcador de retoque de pintura blanca - Pieza N° 5304468812
- Marcador de retoque de pintura rojo - Pieza N° 5304471227
- Marcador de retoque de pintura azul - Pieza N° 5304471229
- Marcador de retoque de pintura plateada - Pieza N° 5304471228
- Marcador de retoque de pintura negra - Pieza N° 5304458932

*Es posible que hayan otros colores disponibles. Póngase en contacto con el distribuidor donde adquirió la secadora.

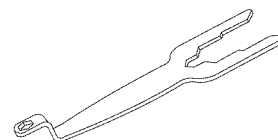
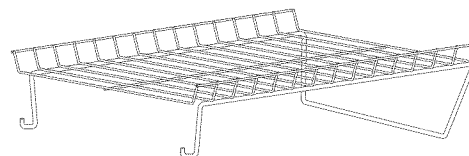
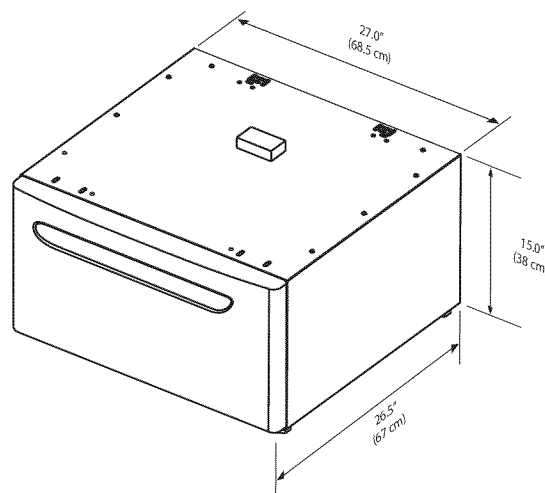
Piezas de repuesto:

Si su secadora necesita piezas de repuesto, comuníquese con el sitio donde la adquirió, o consulte la Guía de uso y cuidado para obtener más información.



PRECAUCIÓN

El no utilizar accesorios fabricados (o aprobados) por el fabricante puede ocasionar lesiones personales, daños a la propiedad o daños a la secadora.



ADVERTENCIA

PELIGRO DE DESCARGA ELÉCTRICA

Cuando se reparen los controles, rotule todos los cables antes de desconectarlos. Los errores de cableado pueden producir un funcionamiento incorrecto y peligroso. Verifique que el funcionamiento es correcto después de realizar las reparaciones.

