

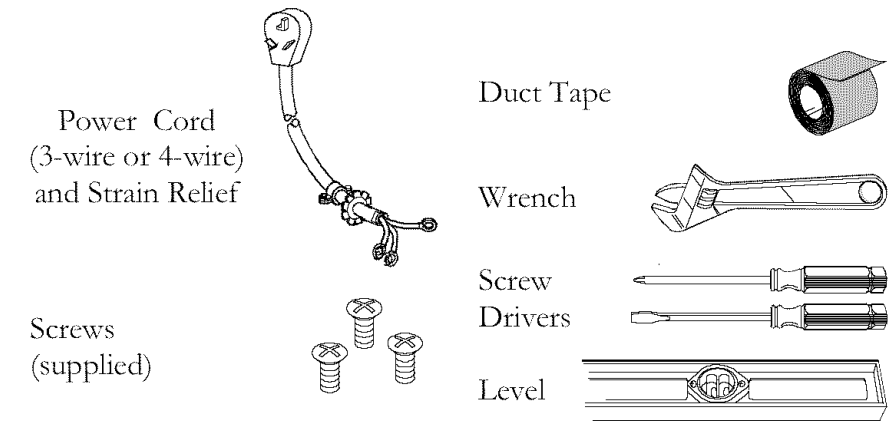
Installation Instructions

Electric Dryer

Keep instructions for future reference. Be sure manual stays with dryer.

Questions?
See *Owner's Manual* or call
Amana
Consumer
Affairs
Department
1-800-843-0304

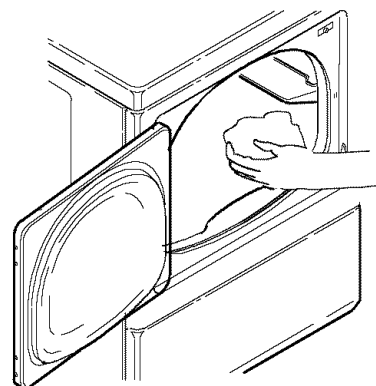
You'll Need a Few Things Before You Begin



1 REMOVE PARTS AND CLEAN DRYER DRUM

Wipe drum with clean rag and soap diluted in warm water to remove any oil used in manufacturing. Make a paste of laundry detergent and clean drum if necessary.

To reverse the direction that door opens, see the Owner's Manual.



Optional Kits

Kits are available at extra cost through your Amana dealer or Amana factory 1-800-843-0304.

Directional Exhaust Kit
DK1 Sales Accessory (Directional Exhaust Kit #528P3).

Flexible Metal Vent Kit
Exhausting the dryer in hard-to-reach locations can be accomplished by installing Kit # 521P3.

2 CONNECT DRYER TO EXHAUST SYSTEM

Secure all joints with clamps or duct tape. **DO NOT** use sheet metal screws or other fastening means which extend into the duct to attach exhaust pipe joints. They could catch lint and reduce the efficiency of the exhaust system.

IMPORTANT: Keep exhaust duct as short as possible.

Be sure old ducts are clean before installing your new dryer.

To prevent backdraft when dryer is not in operation, outer end of exhaust pipe must have a weather hood with hinged dampers (obtain locally).

Weather hood should be installed at least 12" (30.5 cm) above the ground. Higher clearances may be necessary in areas where heavy snowfall can occur.

No extra system length consideration is necessary when exhausting through the roof. Use **MAXIMUM EXHAUST LENGTH** table to calculate system length. Use a roof cap that provides air flow equal to weather hood.

Exhaust Directions

Dryer can be exhausted to the outdoors through the back, left, right or bottom of the dryer.

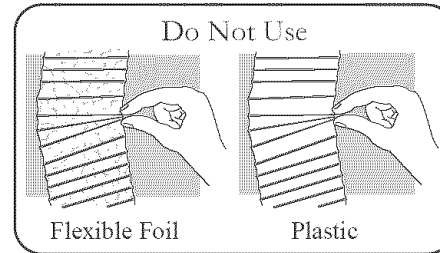
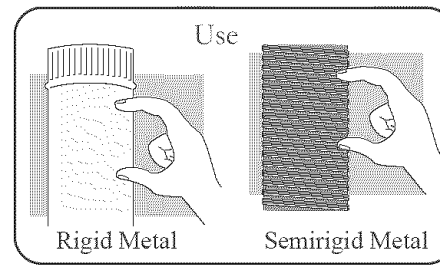
Dryer is shipped from factory ready for rear exhaust. **No kits required.**

To exhaust dryer through sides or bottom, install a DK1 Sales Accessory (Directional Exhaust Kit 528P3). Available as optional equipment at extra cost.

Exhaust System Materials

Exhaust duct must be four inches (10.2 cm) in diameter without obstructions. Rigid metal duct is recommended. Non-combustible semi-rigid flexible metal duct is acceptable.

DO NOT use plastic pipe, foil pipe, or flexible plastic pipe, because it contributes to poor drying performance and collects lint, which can lead to a fire hazard. To identify flexible foil or plastic duct, pinch the coils of the duct between your fingers. If the coils can be brought together, do not use the duct.



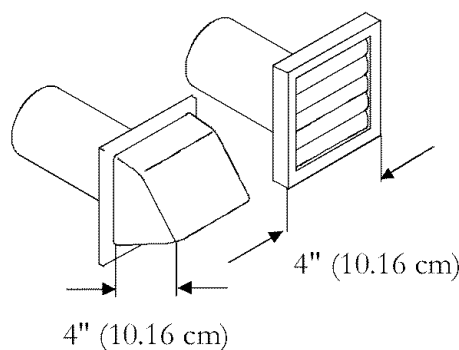
Maximum Exhaust Length

| Rigid Metal Duct | | |
|----------------------|-----------------------------|------------------------------|
| Number of 90° Elbows | Weather Hood 4-inch Opening | Weather Hood 2½-inch Opening |
| 0 | 44 feet (13.4 m) | 34 feet (10.4 m) |
| 1 | 34 feet (10.4 m) | 26 feet (7.9 m) |
| 2 | 26 feet (7.9 m) | 20 feet (6.1 m) |
| 3 | 20 feet (6.1 m) | 14 feet (4.3 m) |

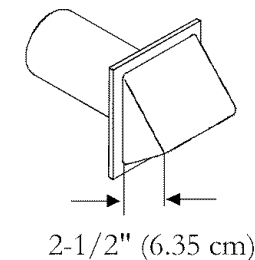
| Flexible Metal Duct | | |
|----------------------|-----------------------------|------------------------------|
| Number of 90° Elbows | Weather Hood 4-inch Opening | Weather Hood 2½-inch Opening |
| 0 | 24 feet (7.3 m) | 20 feet (6.1 m) |
| 1 | 20 feet (6.1 m) | 16 feet (4.9 m) |
| 2 | 16 feet (4.9 m) | 12 feet (3.7 m) |
| 3 | 12 feet (3.7 m) | 8 feet (2.4 m) |

NOTE: Deduct 6 feet (1.8 m) for each additional elbow.

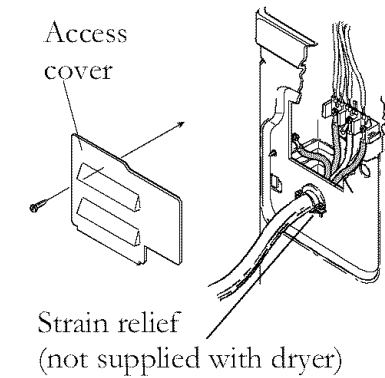
Recommended Weather Hood



Recommended for Short Runs Only



3 CONNECT ELECTRICAL CORD

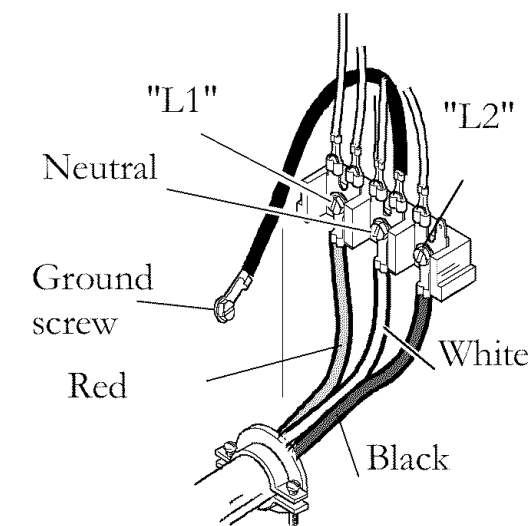


3-wire or 4-wire Plug Connection

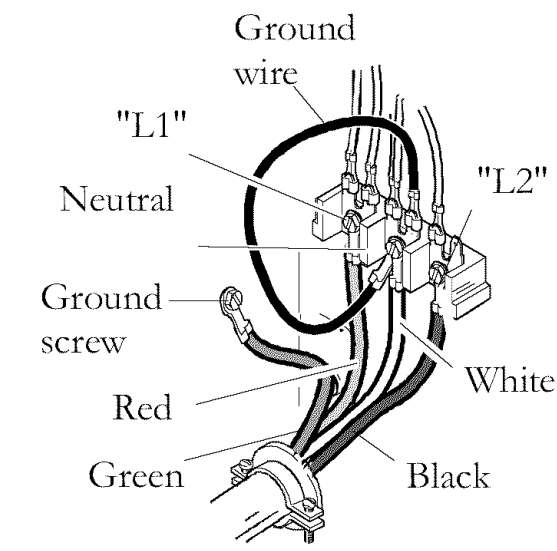
Four-wire cord is required for mobile homes or where codes do not permit grounding through neutral.

1. Remove access cover from rear of dryer.
2. Use a strain relief and insert end of power cord through power supply hole.
3. Use the three screws from envelope located in the drum to attach the remaining power cord wires to the terminal block as follows:
 - Red wire to "L1" terminal.
 - Black wire to "L2" terminal.
 - White wire to Neutral terminal.
 - **4-wire Plug Only**—Remove ground screw and detach ground wire from bulkhead. Attach power cord ground (green) wire to rear bulkhead using ground screw. Attach free ground wire, previously attached with ground screw, with white wire to the neutral (center) terminal on the terminal block.
4. Tighten all screws and reinstall access cover removed in step 1.

3-wire Cord Installed

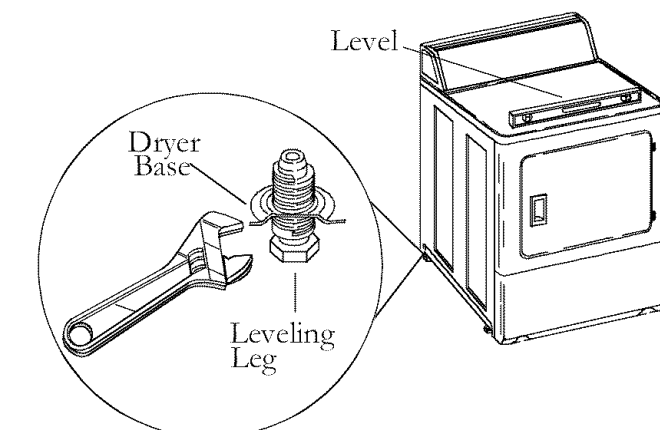


4-wire Cord Installed



4 POSITION AND LEVEL DRYER

Place dryer in position, adjust all legs (4) until dryer is level side to side and front to back.



Important Safety Information

About Ground Wires

In the event of an electrical short circuit, a ground wire reduces the risk of electric shock by providing an escape wire for the electric current.

Standard accepted color coding for ground wires is **green** or **green with a yellow stripe**.

Grounding wires and wires colored like grounding wires are **NOT** to be used as current carrying conductors.

Grounding Instructions

This dryer must be connected to a grounded metal, permanent wiring system, or an equipment-grounding conductor must be run with the circuit conductors and connected to the equipment-grounding terminal or lead on the dryer.

- Power cord (pigtail) is not supplied with electric dryer. Type of pigtail and gauge of wire must conform to local codes and instructions. Method of wiring dryer is optional and subject to local code requirements.
- Connect dryer to power supply with **MAXIMUM RATED VOLTAGE** listed on the nameplate.
- Use copper wire only. Shorter than 15' (4.5 m) use 10 A.W.G. Longer than 15' (4.5 m) use 8 A.W.G.

WARNING

To avoid risk of personal injury or death due to electrical shock:

- Observe all local codes and ordinances.
- Disconnect electrical power to unit before servicing.
- Ground appliance properly.
- Check with a qualified electrician if you are not sure this appliance is properly grounded.
- DO NOT ground to gas line.
- DO NOT ground to cold water pipe.
- DO NOT modify plug on power cord. If plug does not fit electrical outlet, have proper outlet installed by qualified electrician.
- DO NOT have a fuse in the neutral or ground circuit. A fuse in the neutral or ground circuit could result in an electrical shock.
- DO NOT use an extension cord with this appliance.
- DO NOT use an adapter plug with this appliance.
- DO NOT pinch power cord.

WARNING

To reduce the risk of fire, electric shock, serious injury or death, all wiring and grounding must conform with the latest edition of the National Electric Code, ANSI/NFPA 70, or the Canadian Electrical Code, CSA C22.1, and such local regulations as might apply. It is the customer's responsibility to have the wiring and fuses checked by a qualified electrician to make sure your home has adequate electrical power to operate the dryer.

WARNING

To reduce the risk of fire, the dryer **MUST** be exhausted to the outdoors. **DO NOT** exhaust dryer air into a window well, gas vent, chimney or enclosed, unventilated area, such as an attic, wall, ceiling, crawl space under a building or concealed space of a building.

WARNING

To reduce the risk of fire, **DO NOT** use plastic pipe, foil pipe, or flexible plastic pipe to exhaust the dryer. Never install flexible duct in concealed spaces, such as a wall or ceiling.

WARNING

To avoid risk of personal injury or death:
 • Do not allow children to play on or in the appliance. Close supervision of children is necessary when the appliance is used near children.

WARNING

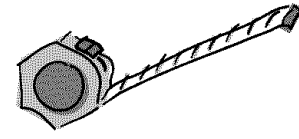
To avoid injury or death due to suffocation, remove door to dryer compartment before appliance is removed from service or discarded.

Installation Requirements

Before You Install

Consider

Location



Description

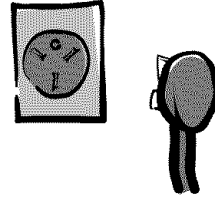
Use dimensions shown in manual to determine space needed for installation.

Place dryer on a solid floor in an area with an adequate air supply. A Closet door must have two supply air vents with a minimum of 40sq. in. (260 sq. cm) each (see diagram).

Dryer must not be installed or stored in an area where it will be exposed to water and/or weather.

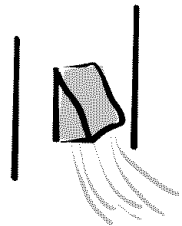
Leveling legs can be adjusted from inside the dryer with a 1/4" driver. All four legs must rest firmly on the floor so the weight of the dryer is evenly distributed. The dryer must not rock.

Electrical Requirements



Dryer needs a 3 or 4 wire 120/240 Volt, 30 amp, 60 Hertz, 1 Phase electrical supply. Refer to serial plate for specific requirements. Wiring diagram is located in control hood.

Exhaust



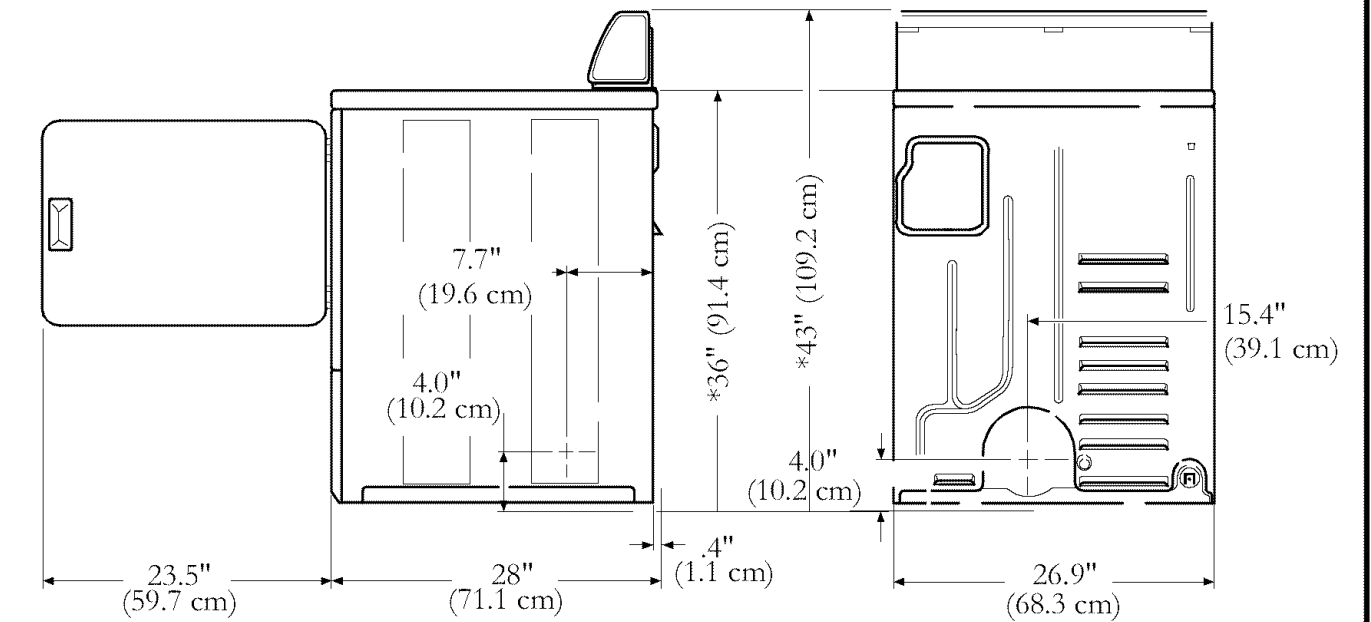
Use rigid or semi-rigid duct and exhaust the dryer to the outside by the shortest route possible. Failure to exhaust dryer properly will void warranty.

- Dryer exhaust duct must be secured to the mobile home structure. Dryer exhaust duct **MUST NOT** terminate under the mobile home.
- Exhaust duct must not be connected to any other duct, vent or chimney.
- Venting materials are not supplied with the dryer (obtain locally). Do not use plastic or thin foil flexible ducting.
- Static pressure in the dryer's exhaust duct should be no greater than .6 inches (1.5 cm). Check with dryer running and no load. This can be measured with a manometer placed on the exhaust duct approximately two feet (61 cm) from the dryer.

For the best exhaust system

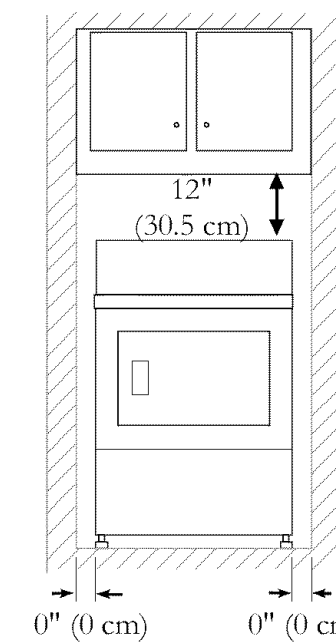
- Locate dryer so exhaust duct is as short as possible.
- Verify old ducts are cleaned before installing new dryer.
- Use 4" (10.2 cm) diameter rigid or flexible metal duct.
- Use as few elbows as possible.
- Use duct tape on all joints.

Dryer Dimensions and Minimum Clearances

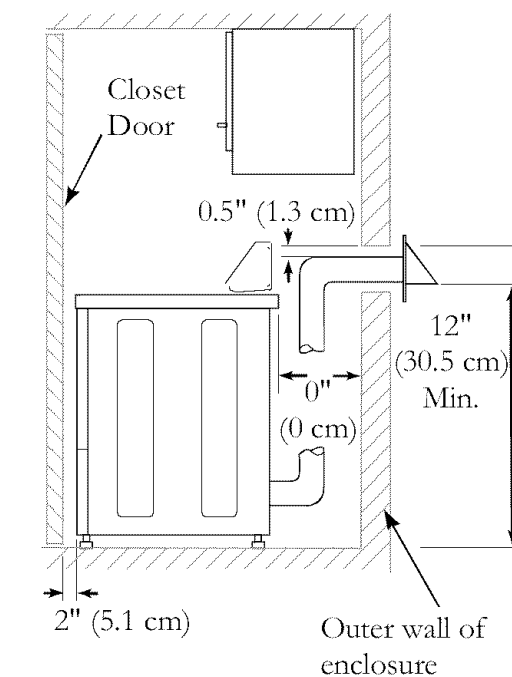


* With leveling legs turned fully into base

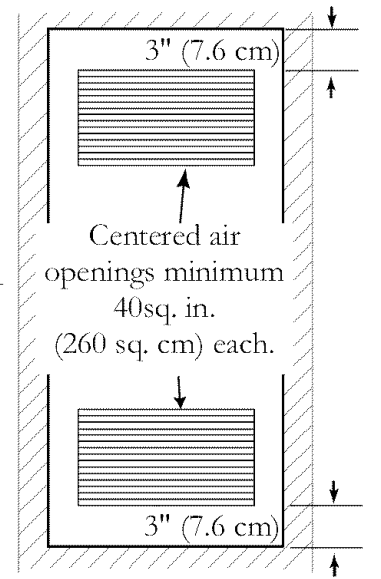
FRONT VIEW (w/o Closet Door)



SIDE VIEW



FRONT VIEW (Closet Door)



Save These Instructions