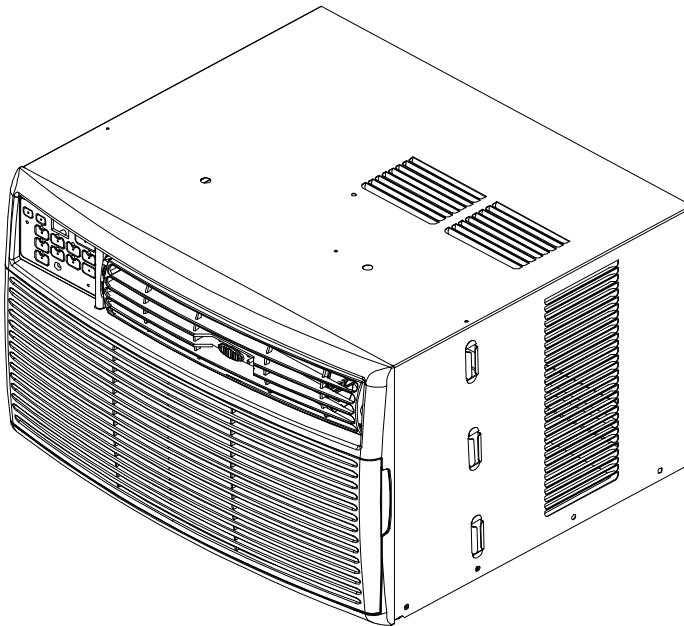


# FACTORY PARTS CATALOG ROOM AIR CONDITIONER



PRODUCT NO.	BASE MODEL NO.	VOLTS	BTU-COOLING
FAC054J7A1	FAC054J7A	115	5200

WIRING DIAGRAM # - 309341601  
OWNERS GUIDE # - 309000825

 **FRIGIDAIRE**  
**HOME PRODUCTS**  
P.O. Box 212378  
Augusta, GA 30917

Publication No.  
5995339453  
000307  
-EN/SERVICE /REP  
345

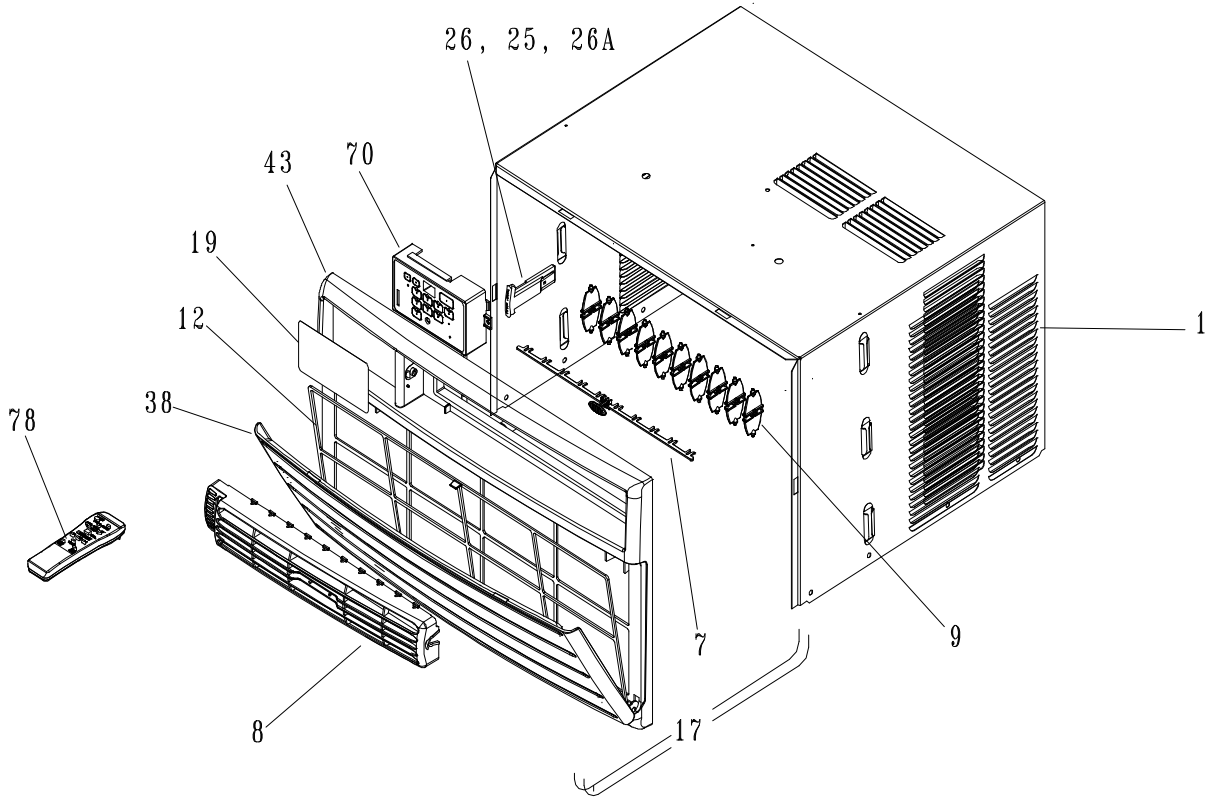
ROOM AIR CONDITIONER

Model No.  
FAC054J7A1

©2000 White Consolidated Industries, Inc.  
All rights reserved

# CABINET FRONT AND WRAPPER

---



## CABINET FRONT AND WRAPPER

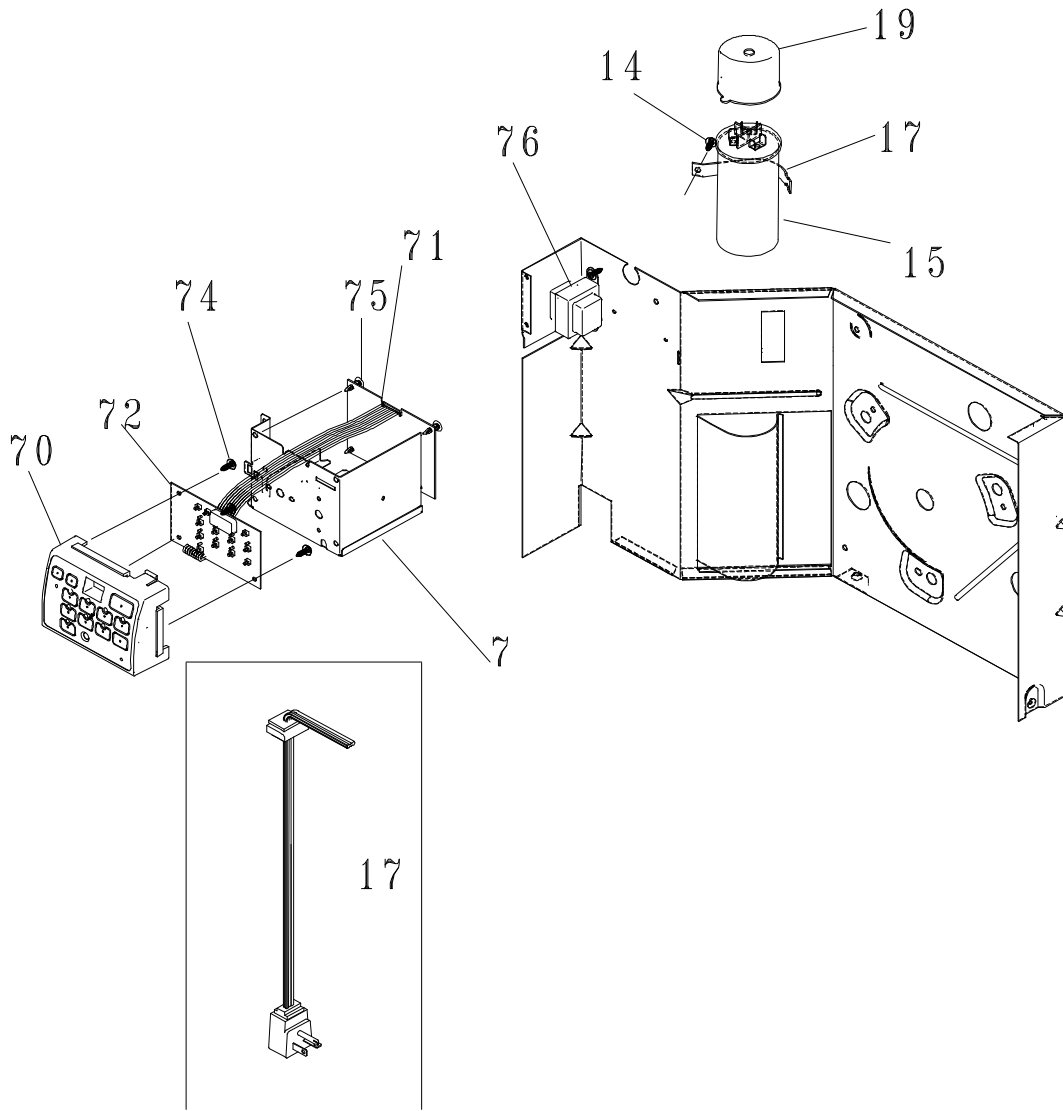
---

POS. NO.	PART NO.	DESCRIPTION
1	5304413783	Cabinet
7	309638001	Link / handle
8	309639301	Louver-horizontal
9	309342001	Louver, Vertical, (6)
12	3096343501	Filter-Mesh
17	309640102	Front, cabinet, complete
19	309340803	Overlay-Electronic control
25	309328601	Door-Vent Actuator HDTC
26	309639401	Handle-Vent
26A*	309330201	Vent-Detent
38	309639201	Panel-front
43	309639101	Frame- front
70	309342201	Enclosure
78	309342604	Remote Control
*	309640202	Louver assy-includes 7, 8 & 9

# = Functional Parts  
\* = Non-illustrated Parts

### CONTROL PARTS

---



## CONTROL PARTS

---

POS. NO.	PART NO.	DESCRIPTION
7	309350302	Box-Control
10	309602403	Bulkhead
12 *	5304413782	Clip-thermister holder
13#	5303316594	Capacitor, 370V, 35+7.5 mfd
14	5303303691	Screw, truss head, 8-18AB x 0.38
15	5303303086	Strap-capacitor
17#	309343101	Cord-power 115v
19	5303302855	Cover, capacitor
70 #	309342201	Enclosure
71 #	309340503	Power board
72 #	309340505	Input board
74	5303301590	Screw, (2)
75	5304413781	Hardware, (4)
76 #	309111601	Transformer

# = Functional Parts  
 \* = Non-illustrated Parts

**AIR HANDLING PARTS**

---

## AIR HANDLING PARTS

---

POS. NO.	PART NO.	DESCRIPTION
1#	309624502	Fan Blade, with clamp
2	3202975	Screw, 10-16 x 0.72
2A	08007481	Nut, motor mtg
3	309624201	Housing-fan
4	5303270043	Seal, condenser
6	08016225	Grommet-motor mounting
8#	309615302	Motor-Fan McMillan 3SP
10	309602403	Bulkhead
11	309617101	Blower Wheel
12	5303012110	Clamp-blower
15	5304407653	Housing-blower
16	309100201	Clip
17	5308011040	Clamp (part of fan blade assy)
18	Not Separate	Deflector-housing (part of housing)
20	5304407654	Plate-Scroll

# = Functional Parts  
 \* = Non-illustrated Parts

FAC054J7A1

## COMPRESSOR PARTS

---



## COMPRESSOR PARTS

---

POS. NO.	PART NO.	DESCRIPTION
1#	5304414797	Compressor
2	5303283877	Grommet-compressor,3
3	5308006948	Nut, compressor, 3
6	5303002035	Gasket-cover
7	5303211011	Cover,terminal
8#	5304413778	Overload protector
9	5303301734	Nut, cover
10	5303317601	Start Assist Kit, compressor
11#	309637501	Evap-Assy
12#	309637601	Condenser
13	5303302849	Tray-Evap
14	5304413780	Base/Compressor-Stud Assy
16#	5304417585	Capillary Tube
17	5304413857	Drier-filter
19	5303002664	Washer,compressor
20	5303002036	Spring-overload
21	5303295516	Washer-cover

# = Functional Parts  
\* = Non-illustrated Parts

## WINDOW MOUNTING PARTS

---

POS. NO.	PART NO.	DESCRIPTION
1	5304407729	Seal, frame, top
2	5303211056	Bracket
4	5304413847	Frame,LH
5	0806226	Seal-top rail
6	Not Used	Retainers are part of cabinet
14	5304413848	Frame,RH
15	309626504	Accordian
16	5304413784	Rail,top
17	3002803	Screw-wood
18	5303303691	Screw, 8-18AB x .38
20	5303295750	Screw, 8-18 x .75
22	5304403252	Retainer, bottom
23	3001806	Screw
24	530802974	Screw

# = Functional Parts  
 \* = Non-illustrated Parts

# WIRING DIAGRAM

309341601

SUB.  
1

