

KitchenAid®

**INSTANT-HOT® WATER DISPENSER
INSTALLATION & USER INSTRUCTIONS**

**INSTANT-HOT® DISTRIBUTEUR D'EAU
CHAUDE—INSTRUCTIONS D'INSTALLATION
ET D'UTILISATION**

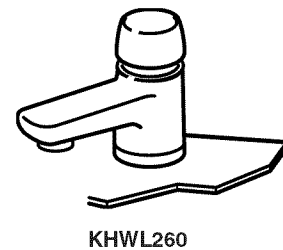
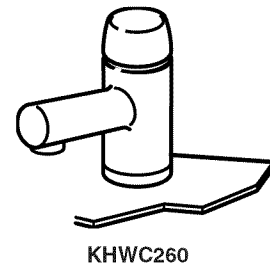
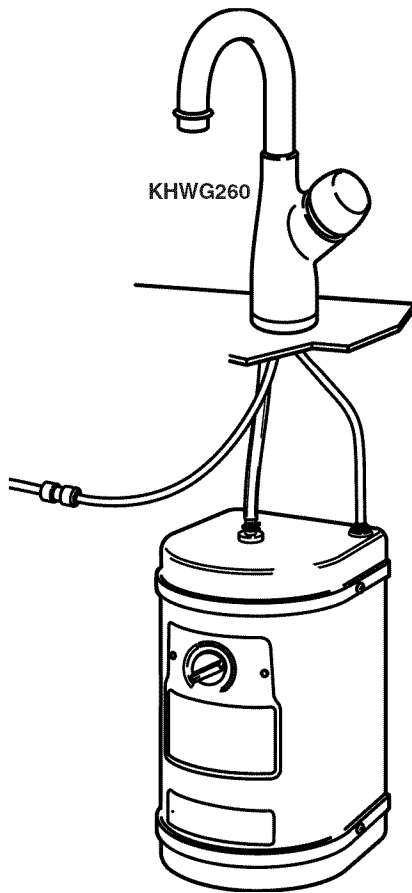


TABLE OF CONTENTS

HOT WATER DISPENSER SAFETY	2	HOT WATER DISPENSER USE	8
INSTALLATION REQUIREMENTS	3	Flush Hot Water Dispenser Tank Before Use.....	8
Tools and Parts	3	Set the Temperature.....	8
Location Requirements	3	Dispense Hot Water	8
Electrical Requirements	4	HOT WATER DISPENSER CARE	9
Water Supply Requirements	5	Prepare Hot Water Dispenser for Nonuse	9
INSTALLATION INSTRUCTIONS	5	TROUBLESHOOTING	10
Inspect Shipment	5	ASSISTANCE OR SERVICE	11
Install the Faucet	5	In the U.S.A.	11
Install the Tank	6	In Canada	11
Complete Installation	7	WARRANTY	12

TABLE DES MATIÈRES

SÉCURITÉ DU DISTRIBUTEUR D'EAU CHAUDE	13	Vidange du réservoir du distributeur d'eau chaude avant usage	19
EXIGENCES D'INSTALLATION	13	Réglage de la température.....	19
Outils et pièces.....	14	Distribution d'eau chaude	19
Exigences d'emplacement.....	14	ENTRETIEN DU DISTRIBUTEUR D'EAU CHAUDE	20
Spécifications électriques	15	Préparation du distributeur d'eau chaude en vue d'une période de non-utilisation	20
Spécifications de l'alimentation en eau	16	DÉPANNAGE	21
INSTRUCTIONS D'INSTALLATION	16	ASSISTANCE OU SERVICE	22
Inspection de l'appareil livré	16	Aux États-Unis.....	22
Installation du robinet.....	16	Au Canada	22
Installation du réservoir	17	GARANTIE	23
Achever l'installation	18		
UTILISATION DU DISTRIBUTEUR D'EAU CHAUDE	19		

HOT WATER DISPENSER SAFETY

Your safety and the safety of others are very important.

We have provided many important safety messages in this manual and on your appliance. Always read and obey all safety messages.



This is the safety alert symbol.

This symbol alerts you to potential hazards that can kill or hurt you and others.

All safety messages will follow the safety alert symbol and either the word "DANGER" or "WARNING."

These words mean:

⚠ DANGER

You can be killed or seriously injured if you don't immediately follow instructions.

⚠ WARNING

You can be killed or seriously injured if you don't follow instructions.

All safety messages will tell you what the potential hazard is, tell you how to reduce the chance of injury, and tell you what can happen if the instructions are not followed.

IMPORTANT SAFETY INSTRUCTIONS

WARNING: To reduce the risk of fire, electrical shock or injury when using your hot water dispenser, follow these basic precautions:

- Plug into a grounded 3 prong outlet.
- Do not use an extension cord.
- Do not remove ground prong.
- Disconnect power before servicing.
- Do not use an adapter.

SAVE THESE INSTRUCTIONS

INSTALLATION REQUIREMENTS

These instructions are intended as a general guide only for use by qualified persons and do not supersede any national or local codes in any way. Compliance with all local, state, or national codes pertaining to this type of equipment should be determined prior to installation.

Read this entire instruction manual, as well as the instructions supplied in separate equipment, before starting the installation.

This hot water dispenser is not a water purifier. Some installations may require a water filtering system to improve the quality of the water.

Tools and Parts

Gather the required tools and parts before starting installation. Read and follow the instructions provided with any tools listed here.

Tools Needed

- Adjustable wrench with minimum opening of 1½" (3.8 cm)
- Phillips screwdriver
- Tape measure
- Pencil
- Pliers
- Tube cutter
- ¼" or 7 mm open-end wrench
- Bucket or pan

Parts Needed

- Screws or anchors for attaching the mounting bracket to the wall
- ¼" (6.4 mm) O.D. copper or plastic tube
- Saddle valve kit or other plumbing parts needed to connect ¼" (6.4 mm) tube from the faucet easy-connect fitting to the water supply line. If a saddle valve is used, do not use a piercing type or ⅜" (4.8 mm) saddle valve, which reduces water flow and clogs more easily.

NOTE: Saddle valve kit or other plumbing parts used must meet all local plumbing codes and ordinances.

Parts Supplied

Remove parts from packages. Check that all parts were included.

- Faucet assembly
- Tank mounting bracket
- Water tank
- Hose clamp

Location Requirements

Faucet for the hot water dispenser requires a 1⅝" (3.5 cm) diameter opening in the sink or countertop. Faucet can be installed in the existing opening for a sink spray hose. If the faucet is not to be installed in the sink spray hose opening or another existing opening, it is recommended that a qualified installer be contacted to drill the hole through your sink or countertop. Thickness of the sink or countertop must not exceed 1¾" (4.4 cm).

Cold water supply connection must be available. See "Water Supply Requirements."

Grounded 3 prong outlet is required. See "Electrical Requirements." The outlet should be located within 42" (106.7 cm) of the hot water dispenser tank.

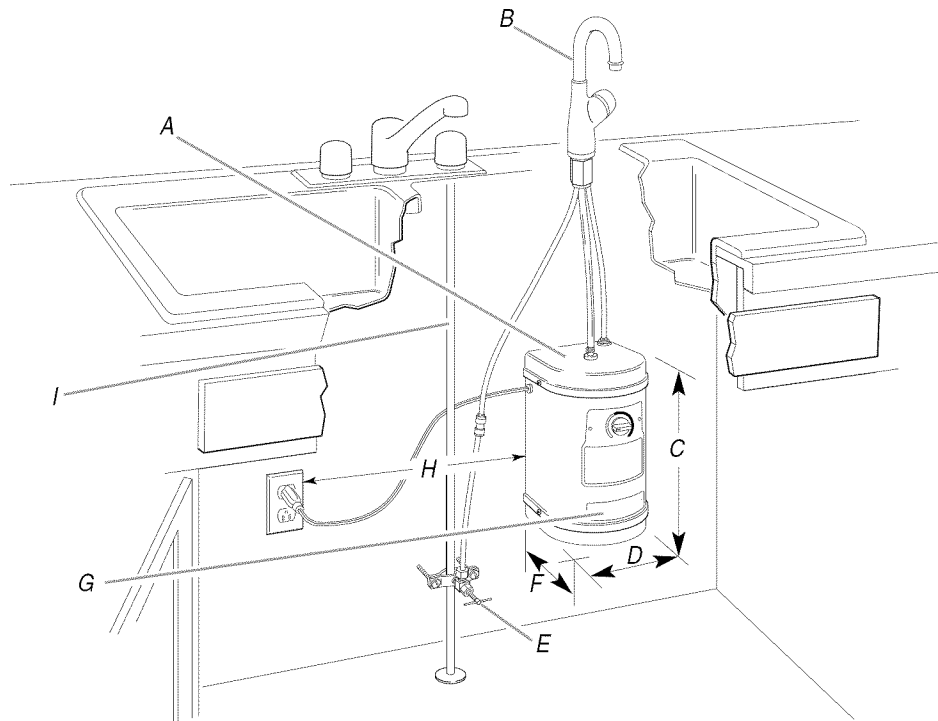
Plumbing connections must comply with all sanitary and plumbing codes.

Water connections use easy-connect fittings which do not require sealing compounds.

Dimensions and Cabinet Requirements

NOTES:

- 1 $\frac{3}{8}$ " (3.5 cm) diameter opening is required in the sink or countertop.
- Thickness of the sink or countertop must not exceed 1 $\frac{3}{4}$ " (4.4 cm).



A. Tank—mounted vertically

B. Model series KHWG260 faucet

C. 11 $\frac{1}{4}$ " (28.5 cm)

D. 7 $\frac{5}{16}$ " (19.2 cm)

E. Saddle valve or hard-plumbed connection to water supply line

F. 7 $\frac{7}{8}$ " (20 cm)

G. Model/serial number label

H. 42" (106.7 cm) maximum from 3 prong outlet to water dispenser tank

I. Cold water supply line

Electrical Requirements

⚠ WARNING



Electrical Shock Hazard

Plug into a grounded 3 prong outlet.

Do not remove ground prong.

Do not use an adapter.

Do not use an extension cord.

Failure to follow these instructions can result in death, fire, or electrical shock.

Recommended Grounding Method

This hot water dispenser must be grounded. This hot water dispenser is equipped with a power supply cord having a 3 prong grounding plug. To minimize possible shock hazard, the cord must be plugged into a mating, grounded 3 prong outlet, grounded in accordance with all local codes and ordinances. If a mating outlet is not available, it is the customer's responsibility to have a properly grounded 3 prong outlet installed by a qualified electrical installer.

It is the customer's responsibility:

- To contact a qualified electrical installer.
- To assure that the electrical installation is adequate and in conformance with National Electrical Code, ANSI/NFPA 70 - latest edition, and all local codes and ordinances.

Copies of the standards listed may be obtained from:

National Fire Protection Association
One Batterymarch Park
Quincy, MA 02269

A 120-volt, 60 Hz, AC-only 15- or 20-amp fused, grounded electrical supply is required. It is recommended that a separate circuit serving only the hot water dispenser be provided. Use an outlet that cannot be turned on/off with a switch.

Water Supply Requirements

If local codes permit, the hot water dispenser faucet tube should be connected to ¼" (6.4 mm) tube (not provided), which is connected to the cold water supply line using a saddle valve (not provided) or another means to connect the ¼" (6.4 mm) tube to the cold water supply line. If a saddle valve is used, do not use a piercing type or ¾" (4.8 mm) saddle valve, which reduces water flow and clogs more easily.

IMPORTANT:

- If local codes do not permit the use of saddle valves, special feed valves can be obtained from your local plumbing supply distributor.

- Connection to the hot water line is not recommended. Energy will be wasted in heating the water twice and may produce an undesirable taste.
- A water filter is recommended if your water supply contains sand, grit or other particles, or has a known taste or odor issue. If a water filter system is used, the water pressure to the hot water dispenser system from the filter needs to be a minimum of 20 psi (138 kPa) for proper operation.
- If the water pressure to the hot water dispenser system is less than 20 psi (138 kPa), performance may be affected.

INSTALLATION INSTRUCTIONS

Inspect Shipment

- This hot water dispenser is shipped in one package.
- Upon receipt of the hot water dispenser, inspect it for possible shipping damage. Examine the hot water dispenser inside the carton if the carton is damaged.
- If damage is found, it should be noted on the carrier's freight bill. Damage claims should be filed with the carrier immediately. Claims of shortages should be filed with the seller within 5 days.

NOTE: If any damages are discovered and reported to the carrier, do not install the hot water dispenser, because your claim may be denied.

Install the Faucet

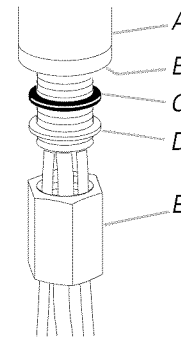
NOTE: The hot water dispenser is not a water purifier. Some installations may require a water filtering system to improve the quality of the water.

1. Determine the final location of the hot water dispenser faucet. Check below the sink to verify that reinforcing ribs, support brackets or cabinet construction will not interfere with the hot water dispenser faucet.
2. To prepare the sink or countertop for installation, perform one of the following:
 - Remove the plug from the sink.
 - Use an existing opening in the sink or countertop.
 - Cut a hole in the sink or countertop.

NOTE: It is recommended that only a licensed plumber or professional installer should cut a hole in the sink or countertop.

3. Straighten tube so that it will go through the hole in the sink or countertop.
4. Remove the nut, metal washer and rubber washer from the faucet.

NOTE: Do not remove the rubber O-ring in the bottom of the faucet base.

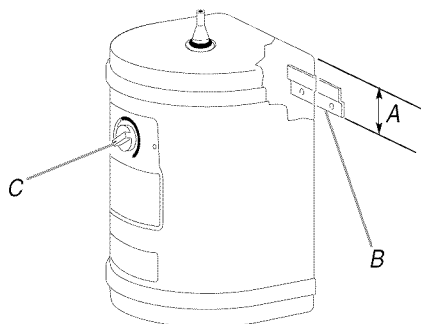


A. Faucet base
B. Rubber O-ring
C. Rubber washer
D. Metal washer
E. Nut

5. Feed tube through the hole in the sink or countertop. Hold the faucet in place while installing the rubber washer, metal washer and nut on the faucet from underneath the sink. Tighten the nut securely.

Install the Tank

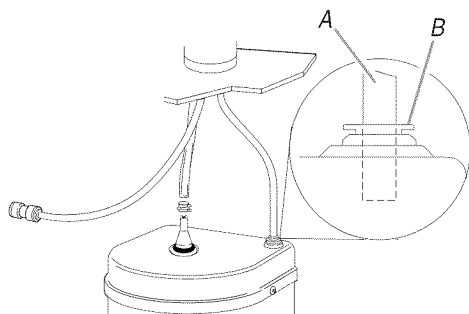
1. Position the tank vertically beneath the faucet so that the longer $\frac{1}{4}$ " (6.4 mm) tube from the faucet reaches the easy-connect fitting on the top of the tank.
IMPORTANT: The tank must be positioned so that the tube from the faucet does not kink.
2. On the wall, mark the location of the top of the tank. Set the tank aside.
3. Mark a second line $2\frac{1}{4}$ " (5.7 cm) below the first line.
4. Align the bottom of the mounting bracket with the lower line.



A. $2\frac{1}{4}$ " (5.7 cm)
B. Mounting bracket
C. Off position on the temperature control

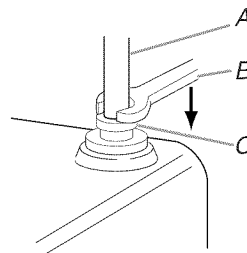
5. Use 2 screws (and wall anchors if needed) (not provided) to fasten the mounting bracket to the wall.
6. Hang the tank on the bracket.
IMPORTANT:
 - Do not plug the power supply cord into the 3 prong outlet at this time.
 - Do not stretch, twist or tightly bend the tube.
 - Do not use any sealing compounds.
7. Connect the longest $\frac{1}{4}$ " (6.4 mm) faucet tube to the rear easy-connect fitting on top of the tank.
8. Push the tube straight into the fitting as far as it will go. Pull on the tube to verify that it is secure and properly installed.

Easy-Connect Fitting



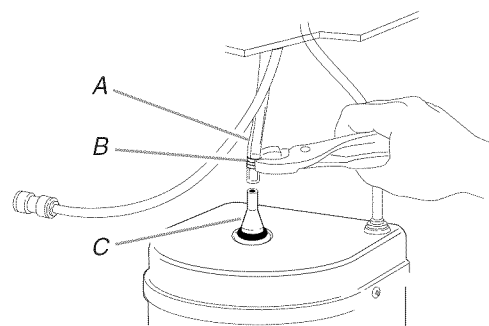
A. Faucet tube
B. Collet

NOTE: To remove the tube from the easy-connect fitting, push down on the collet. Pull tube out of easy-connect fitting. It is easier to push the collet down with a $\frac{1}{4}$ " or 7 mm open-end wrench.



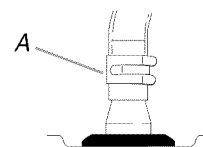
A. Faucet tube
B. $\frac{1}{4}$ " or 7 mm open-end wrench
C. Collet

9. Using pliers, spread open the hose clamp (provided) and slide the clamp about 2" (5.1 cm) onto the largest diameter faucet tube.



A. Largest diameter tube
B. Hose clamp
C. Tank outlet tube

10. Push the tube down onto the tank outlet tube as far as it will go.
11. Using pliers, position the hose clamp so that it is close to the end of the tube.



A. Hose clamp

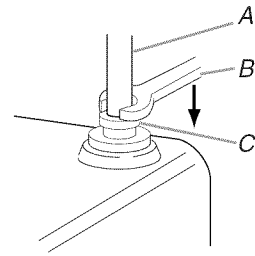
12. Install the saddle valve kit or other plumbing parts as needed to connect the 1/4" (6.4 mm) tube from the faucet easy-connect fitting to the cold water supply line.
13. Flush the line into a bucket or pan to remove any debris that may have been trapped in the supply line during plumbing connection.
14. Check that the water flows freely and that there are no leaks.
15. Connect the 1/4" (6.4 mm) water supply line tube to the faucet tube with the factory-assembled easy-connect fitting. Push the water supply line tube straight into the fitting as far as it will go. Pull on the tube to verify that it is secure and properly installed.

Factory Assembled Easy-Connect Fitting



IMPORTANT: For proper operation, do not remove the factory-assembled easy-connect fitting from the tube.

NOTE: To remove the tube from the easy-connect fitting, push down on the collet. Pull tube out of easy-connect fitting. It is easier to push the collet down with a 1/4" or 7 mm open-end wrench.



A. Faucet tube
B. 1/4" or 7 mm open-end wrench
C. Collet

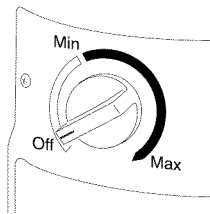
16. Open the water line to the faucet.
17. Check for leaks.

Complete Installation

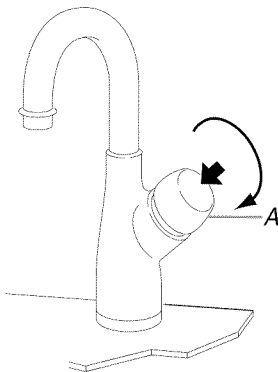
IMPORTANT: The hot water dispenser can be damaged if the following steps are not followed.

NOTE: Do not connect the hot water dispenser to the power supply at this time.

1. Turn the Temperature Control counterclockwise to the Off position.



2. Push down and turn the faucet cap clockwise to open the faucet. Hold the cap in this position until water flows from the faucet (approximately 1 to 1 1/2 minutes). Water flowing from the faucet signals that the hot water dispenser tank is filled.



A. Faucet cap—Model series KHWG260

3. Release faucet cap.
4. Check for leaks.

NOTE: Make sure the Temperature Control is in the Off position before connecting the hot water dispenser to the power supply. If the tank is empty and the Temperature Control is in the On position when the power is connected, the hot water dispenser will overheat, and permanently damage the hot water dispenser.

⚠ WARNING



Electrical Shock Hazard

Plug into a grounded 3 prong outlet.

Do not remove ground prong.

Do not use an adapter.

Do not use an extension cord.

Failure to follow these instructions can result in death, fire, or electrical shock.

5. Plug power supply cord into a grounded 3 prong outlet.
6. Turn the Temperature Control clockwise to the highest position. Water in the hot water dispenser tank will reach maximum temperature in approximately 15 minutes.

NOTES:

- You may hear gurgling noises coming from the tank while the water is heating. This is normal.
- A small amount of hot water may flow from the faucet while the water is heating. This is normal for the first time heating of the dispenser.
- The Temperature Control does not control the water delivery. Push down and turn the faucet cap clockwise to control the water delivery.
- The Temperature Control regulates the water heating temperature. Rotate the Temperature Control clockwise to raise the water temperature, or counterclockwise to lower the water temperature.
- Turn the Temperature Control to a lower setting if vapor is appearing near the faucet or if you hear the sound of water boiling.

HOT WATER DISPENSER USE

Flush Hot Water Dispenser Tank Before Use

NOTE: Before using the hot water from the hot water dispenser for the first time, allow the hot water dispenser to heat the water for approximately 15 minutes.

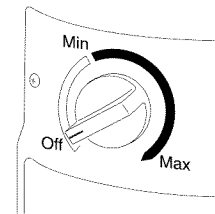
1. Push down and turn the faucet cap clockwise to open the faucet.
2. Allow the water to run for approximately 1 minute to flush hot water dispenser tank.
3. Release the faucet cap and allow the water to reheat for approximately 15 minutes before using.
4. Check that all installation steps are complete.
5. Check for leaks.

Set the Temperature

The water temperature is thermostatically controlled using the Temperature Control. The Temperature Control can be set to a maximum temperature of 190°F (88°C) (approximate).

1. To raise the water temperature, turn the Temperature Control clockwise.
2. To lower the water temperature, turn the Temperature Control counterclockwise.

NOTE: The Max setting is recommended for best performance. Turn the Temperature Control to a lower setting if vapor appears near the faucet or if you hear the sound of water boiling.

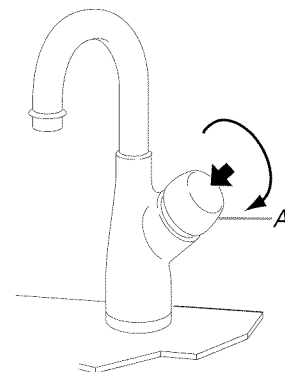


Dispense Hot Water

1. Push down and turn the faucet cap clockwise to open the faucet.
2. Release faucet cap after dispensing the desired amount of hot water.

NOTES:

- A short delay between the time the faucet cap is turned and the hot water is dispensed is normal.
- Water flow from the faucet varies, depending on how far the faucet cap is turned.



A. Faucet cap—Model series KHWG260

HOT WATER DISPENSER CARE

NOTE: It is not necessary to turn off the hot water dispenser each night to conserve energy. The hot water dispenser uses approximately 10 to 19 kilowatt-hours of energy per month when heating 7 to 8 cups of water per day.

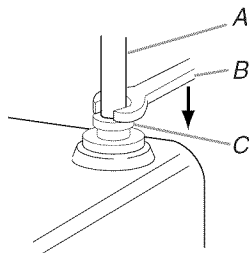
Prepare Hot Water Dispenser for Nonuse

If the hot water dispenser will not be used for 2 to 30 days, set the Temperature Control to the Off position to conserve energy.

Winterizing and Seasonal Storage

Cold Weather Care

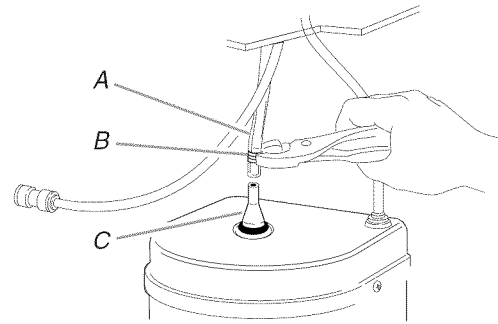
1. Turn the Temperature Control to the Off position.
2. Unplug the hot water dispenser power supply cord.
3. Push down and turn the faucet cap clockwise to open the faucet.
4. Allow the water to run until the water turns cold.
5. Release faucet cap.
6. Close water supply valve.
7. Place a tray under the tank to catch any water leaks.
8. To remove the faucet tube from the easy-connect fitting, push down on the collet. Pull tube out of easy-connect fitting. It is easier to push the collet down with a $\frac{1}{4}$ " or 7 mm open-end wrench.



A. Faucet tube
B. $\frac{1}{4}$ " or 7 mm open-end wrench
C. Collet

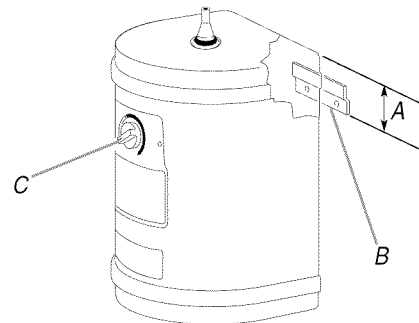
9. Using pliers, spread open the hose clamp (provided) on the largest diameter faucet tube.
10. Slide the hose clamp about 2" (5 cm) from the end of the largest diameter faucet tube.

11. Remove the largest diameter tube from the tank outlet tube.



A. Largest diameter tube
B. Hose clamp
C. Tank outlet tube

12. Lift the hot water dispenser tank off the mounting bracket.



A. 2 $\frac{1}{4}$ " (5.7 cm)
B. Mounting bracket
C. Off position on the temperature control

13. Turn the hot water dispenser tank upside down over a sink or bucket and drain the water.
14. Reinstall the hot water dispenser tank on the mounting bracket.
15. Reconnect the faucet tubes. See "Install the Tank."

NOTE: To prepare the hot water dispenser for use, see "Complete Installation."

IMPORTANT: Do not plug in the hot water dispenser or turn on the thermostat until the tank is filled with water. The hot water dispenser may be permanently damaged if power is supplied to the hot water dispenser before the tank is filled.

TROUBLESHOOTING

Before calling for service, try the suggestions below to see whether you can solve your problem without outside help.

Hot water dispenser will not operate

⚠ WARNING



Electrical Shock Hazard

Plug into a grounded 3 prong outlet.

Do not remove ground prong.

Do not use an adapter.

Do not use an extension cord.

Failure to follow these instructions can result in death, fire, or electrical shock.

- **The power supply cord is unplugged.** Plug into grounded 3 prong outlet. See “Electrical Requirements.”
- **A household fuse has blown, or circuit breaker has tripped.** Replace the fuse or reset the circuit breaker. If the problem continues, call an electrician. See “Electrical Requirements.”
- **Water supply valve is closed.** Open the water supply valve.
- **Temperature Control is not turned to Max.** Turn the Temperature Control to Max for best performance.
- **The local power has failed.** Wait for power to be restored.
- **The grounded 3 prong outlet is operated by a switch.** Turn on the switch.

Hot water dispenser blows fuses or trips circuit breakers

- **Too many appliances are being used on the same circuit.** Unplug or relocate appliances that share the same circuit.

Water is not hot

- **The power supply cord is unplugged.** Plug into grounded 3 prong outlet. See “Electrical Requirements.”
- **A household fuse has blown, or circuit breaker has tripped.** Replace the fuse or reset the circuit breaker. If the problem continues, call an electrician. See “Electrical Requirements.”
- **The Temperature Control is not turned to Max.** Turn the Temperature Control to Max for best performance.

- **The local power has failed.** Wait for power to be restored.
- **The grounded 3 prong outlet is operated by a switch.** Turn on the switch.
- **Water in the hot water dispenser tank is heating.** Wait 15 minutes before checking water temperature.

Vapor near faucet, water is too hot, boiling water noise

- **Temperature Control setting is too high.** Turn the Temperature Control to a lower setting.
NOTE: At higher altitudes, set the Temperature Control to a lower setting to avoid boiling water.

Hot water drips or sputters from faucet

- **Tube is bent or kinked.** Straighten tube.
- **Temperature Control is set too high.** Turn Temperature Control to a lower setting.
- **Tube is not installed correctly.** See “Install the Faucet” and “Install the Tank.”

Water does not flow from faucet

- **Water supply valve is closed.** Open the water supply valve.
- **Tube is kinked.** Straighten all tubes.
- **Water pressure is too low.** Water pressure to hot water dispenser should be 20 psi (138 kPa) minimum.

Water has unpleasant taste

- **Hot water dispenser is attached to hot water supply line.** Attach hot water dispenser to cold water supply line.
- **Not enough water is dispensed daily (dispenser is not used for 3 or more days or only 1 to 3 cups is dispensed in a day).** Purge the water from the hot water dispenser by holding the cap in the open position for 2 to 3 minutes to purge the tank of old water. Wait approximately 15 minutes before dispensing the water to allow fresh water to reach the maximum temperature.
- **Water supply needs a filtration system.** Install a filtration system on the cold water supply line.

Water flows slowly from faucet, less than ½ gal. (1.9 L) per minute

- **Water filtration system is reducing water pressure.** Water pressure to hot water dispenser should be 20 psi (138 kPa) minimum.

ASSISTANCE OR SERVICE

Before calling for assistance or service, please check “Troubleshooting.” It may save you the cost of a service call. If you still need help, follow the instructions below.

When calling, please know the purchase date and the complete model and serial number of your appliance. This information will help us to better respond to your request.

If you need replacement parts

If you need to order replacement parts, we recommend that you use only factory specified parts. These factory specified parts will fit right and work right because they are made with the same precision used to build every new KITCHENAID® appliance.

To locate factory specified parts in your area, call us or your nearest KitchenAid designated service center.

In the U.S.A.

Call the KitchenAid Customer eXperience Center toll free: **1-800-422-1230**.

Our consultants provide assistance with:

- Features and specifications on our full line of appliances.
- Installation information.
- Use and maintenance procedures.
- Accessory and repair parts sales.
- Specialized customer assistance (Spanish speaking, hearing impaired, limited vision, etc.).
- Referrals to local dealers, repair parts distributors and service companies. KitchenAid designated service technicians are trained to fulfill the product warranty and provide after-warranty service, anywhere in the United States.

To locate the KitchenAid designated service company in your area, you can also look in your telephone directory Yellow Pages.

For further assistance

If you need further assistance, you can write to KitchenAid with any questions or concerns at:

KitchenAid Brand Home Appliances
Customer eXperience Center
553 Benson Road
Benton Harbor, MI 49022-2692

Please include a daytime phone number in your correspondence.

In Canada

Call the KitchenAid Canada Customer eXperience Centre toll free: **1-800-807-6777**.

Our consultants provide assistance with:

- Features and specifications on our full line of appliances.
- Use and maintenance procedures.
- Accessory and repair parts sales.
- Referrals to local dealers, repair parts distributors and service companies. KitchenAid Canada designated service technicians are trained to fulfill the product warranty and provide after-warranty service, anywhere in Canada.

For further assistance

If you need further assistance, you can write to KitchenAid Canada with any questions or concerns at:

Customer eXperience Centre
KitchenAid Canada
1901 Minnesota Court
Mississauga, Ontario L5N 3A7

Please include a daytime phone number in your correspondence.

KITCHENAID® HOT WATER DISPENSER WARRANTY

ONE YEAR LIMITED WARRANTY ON HOT WATER DISPENSERS MODELS

For one year from the date of purchase, when this product is installed, operated and maintained according to instructions attached to or furnished with the product, KitchenAid or KitchenAid Canada (hereafter "KitchenAid") will pay for factory specified parts and repair labor to correct defects in materials or workmanship. Service must be provided by a KitchenAid designated service company.

KITCHENAID WILL NOT PAY FOR:

1. Service calls to correct the installation of your product, to instruct you on how to use your product, to replace house fuses or correct house wiring or plumbing.
 2. Repairs when your product is used in other than normal, single-family household use. Damage resulting from accident, alteration, unauthorized modification, misuse, abuse (such as heavy impact or dropped objects), fire, floods, acts of God, improper installation or installation not in accordance with local electrical and plumbing codes, or use of products not approved by KitchenAid.
 3. Replacement parts or repair labor costs for units operated outside the United States or Canada.
 4. Pickup and delivery. This product is designed to be repaired in the home.
 5. Repairs to parts or systems resulting from unauthorized modifications made to the product.
 6. Expenses for travel and transportation for product service in remote locations.
 7. The removal and reinstallation of your product if it is installed in an inaccessible location or it is not installed in accordance with published installation instructions.
-

DISCLAIMER OF IMPLIED WARRANTIES; LIMITATION OF REMEDIES

CUSTOMER'S SOLE AND EXCLUSIVE REMEDY UNDER THIS LIMITED WARRANTY SHALL BE PRODUCT REPAIR AS PROVIDED HEREIN. IMPLIED WARRANTIES, INCLUDING WARRANTIES OF MERCHANTABILITY OR FITNESS FOR A PARTICULAR PURPOSE, ARE LIMITED TO ONE YEAR OR THE SHORTEST PERIOD ALLOWED BY LAW. KITCHENAID SHALL NOT BE LIABLE FOR INCIDENTAL OR CONSEQUENTIAL DAMAGES. SOME STATES AND PROVINCES DO NOT ALLOW THE EXCLUSION OR LIMITATION OF INCIDENTAL OR CONSEQUENTIAL DAMAGES, OR LIMITATIONS ON THE DURATION OF IMPLIED WARRANTIES OF MERCHANTABILITY OR FITNESS, SO THESE EXCLUSIONS OR LIMITATIONS MAY NOT APPLY TO YOU. THIS WARRANTY GIVES YOU SPECIFIC LEGAL RIGHTS AND YOU MAY ALSO HAVE OTHER RIGHTS, WHICH VARY, FROM STATE TO STATE OR PROVINCE TO PROVINCE.

Outside the 50 United States and Canada, this warranty does not apply. Contact your authorized KitchenAid dealer to determine if another warranty applies.

If you need service, help can be found by calling KitchenAid. In the U.S.A., call **1-800-422-1230**. In Canada, call **1-800-807-6777**.

7/07

Keep this book and your sales slip together for future reference. You must provide proof of purchase or installation date for in-warranty service.

Write down the following information about your hot water dispenser to better help you obtain assistance or service if you ever need it. You will need to know your complete model number and serial number. You can find this information on the model and serial number label located on the product.

Dealer name _____

Address _____

Phone number _____

Model number _____

Serial number _____

Purchase date _____

SÉCURITÉ DU DISTRIBUTEUR D'EAU CHAUDE

Votre sécurité et celle des autres est très importante.

Nous donnons de nombreux messages de sécurité importants dans ce manuel et sur votre appareil ménager. Assurez-vous de toujours lire tous les messages de sécurité et de vous y conformer.



Voici le symbole d'alerte de sécurité.

Ce symbole d'alerte de sécurité vous signale les dangers potentiels de décès et de blessures graves à vous et à d'autres.

Tous les messages de sécurité suivront le symbole d'alerte de sécurité et le mot "DANGER" ou "AVERTISSEMENT". Ces mots signifient :

⚠ DANGER

Risque possible de décès ou de blessure grave si vous ne suivez pas immédiatement les instructions.

⚠ AVERTISSEMENT

Risque possible de décès ou de blessure grave si vous ne suivez pas les instructions.

Tous les messages de sécurité vous diront quel est le danger potentiel et vous disent comment réduire le risque de blessure et ce qui peut se produire en cas de non-respect des instructions.

IMPORTANTES INSTRUCTIONS DE SÉCURITÉ

AVERTISSEMENT : Pour réduire les risques d'incendie, de choc électrique ou des blessures lors de l'utilisation du distributeur d'eau chaude, prendre quelques précautions fondamentales, y compris les suivantes :

- Brancher sur une prise à 3 alvéoles reliée à la terre.
- Ne pas utiliser un câble de rallonge.
- Ne pas enlever la broche de liaison à la terre.
- Déconnecter la source de courant électrique avant l'entretien.
- Ne pas utiliser un adaptateur.

CONSERVEZ CES INSTRUCTIONS

EXIGENCES D'INSTALLATION

Ces instructions ne constituent qu'un guide général et ne peuvent en aucun cas être substituées aux prescriptions d'un code national ou local applicable. Avant d'entreprendre l'installation, on doit déterminer les critères de conformité de l'installation aux prescriptions de tout code national, provincial ou local.

Avant d'entreprendre l'installation, lire la totalité de ce manuel d'instructions, ainsi que les instructions fournies dans les éléments séparés.

Ce distributeur d'eau chaude n'est pas un purificateur d'eau. Certaines installations peuvent nécessiter un système de filtration de l'eau pour en améliorer la qualité.

Outillage et pièces

Rassembler les outils nécessaires avant de commencer l'installation. Lire et suivre les instructions fournies avec les outils indiqués ici.

Outils nécessaires

- Clé à molette réglable avec ouverture minimale de 1½" (3,8 cm)
- Tournevis Phillips
- Mètre-ruban
- Crayon
- Pince
- Coupe-tubes
- Clé plate de ¼" ou 7 mm
- Seau ou bac

Pièces nécessaires

- Vis ou autres dispositifs d'ancrage pour fixer le support au mur.
- Tube en cuivre ou en plastique d'un diamètre extérieur de ¼" (6,4 mm).
- Robinet d'arrêt à étrier ou autre accessoire de plomberie, pour raccorder le tube de ¼" (6,4 mm) du robinet à branchement rapide à la canalisation d'eau. Si l'on utilise un robinet d'arrêt à étrier, ne pas installer de robinet d'arrêt à étrier de ⅜" (4,8 mm) ou de type à percer, car ce type d'accessoire réduit le débit d'eau et s'obstrue plus facilement.

REMARQUE : Les robinets d'arrêt à étrier ou les autres accessoires de plomberie utilisés doivent être conformes à l'ensemble de la réglementation et des codes de plomberie locaux.

Pièces fournies

Retirer les pièces de leur emballage. S'assurer qu'il ne manque aucune pièce.

- Robinet
- Réservoir d'eau
- Support de fixation du réservoir
- Bride de tuyau

Exigences d'emplacement

Le robinet du distributeur d'eau chaude requiert une ouverture d'un diamètre de 1⅝" (3,5 cm) dans l'évier ou le comptoir. Le robinet peut être installé dans l'ouverture pour douche déjà présente. Si l'on ne désire pas installer le robinet dans l'ouverture pour douche, on recommande de contacter un installateur qualifié pour faire percer une ouverture dans l'évier ou le comptoir. L'épaisseur de l'évier ou du comptoir ne doit pas excéder 1¾" (4,4 cm).

On doit disposer d'une canalisation d'alimentation en eau froide. Voir "Spécifications de l'alimentation en eau".

Une prise à trois alvéoles reliée à la terre est requise. Voir "Spécifications électriques". La prise doit se trouver à une distance maximale de 42" (106,7 cm) du réservoir du distributeur d'eau chaude.

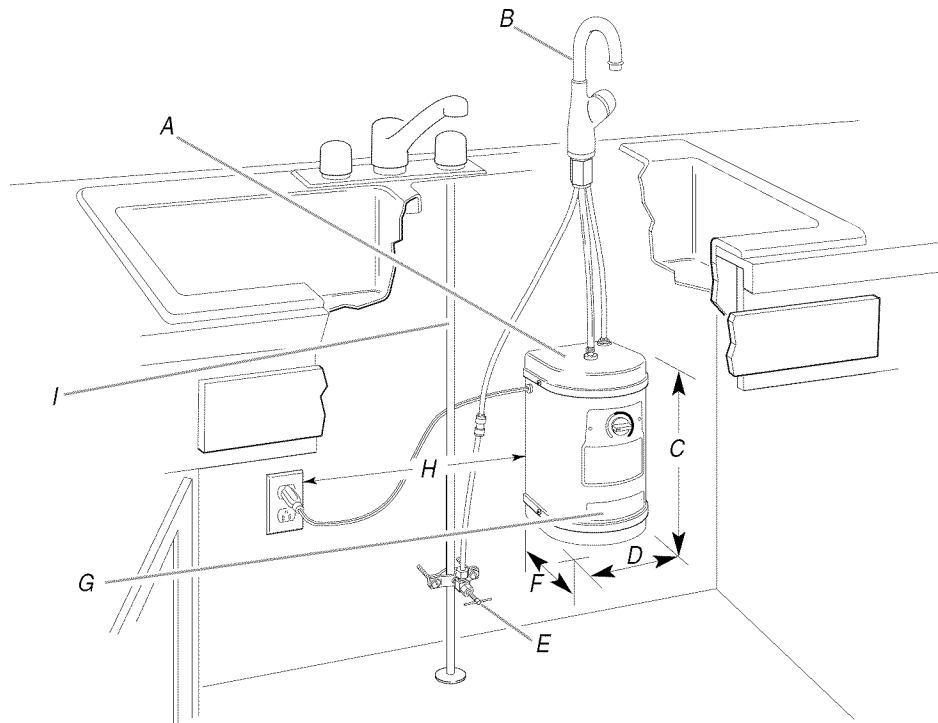
Les raccords de plomberie doivent être conformes à l'ensemble des règlements sanitaires et des codes de plomberie.

Les canalisations d'eau doivent être installées à l'aide de raccords à branchement rapide ne requérant aucun produit d'étanchéité.

Dimensions et exigences concernant l'armoire

REMARQUES :

- Il doit y avoir une ouverture d'un diamètre de 1 $\frac{3}{8}$ " (3,5 cm) dans l'évier ou le comptoir.
- L'épaisseur de l'évier ou du comptoir ne doit pas excéder 1 $\frac{3}{4}$ " (4,4 cm).



A. Réservoir—Installé à la verticale
B. Robinet—Modèle KHWG260
C. 11 $\frac{1}{4}$ " (28,5 cm)
D. 7 $\frac{5}{16}$ " (19,2 cm)

E. Raccordement à la canalisation d'alimentation en eau (robinet d'arrêt à étrier ou tuyaux en PVC)
F. 7 $\frac{7}{8}$ " (20 cm)
G. Étiquette indiquant le numéro de modèle/de série

H. 42" (106,7 cm)—Distance maximale entre la prise à trois alvéoles et le réservoir du distributeur d'eau
I. Canalisation d'alimentation en eau froide

Spécifications électriques

⚠ AVERTISSEMENT



Risque de choc électrique

Brancher sur une prise à 3 alvéoles reliée à la terre.

Ne pas enlever la broche de liaison à la terre.

Ne pas utiliser un adaptateur.

Ne pas utiliser un câble de rallonge.

Le non-respect de ces instructions peut causer un décès, un incendie ou un choc électrique.

On doit disposer d'une source d'alimentation électrique de 120 Volts, 60 Hertz, CA seulement, type 15 ou 20 A, protégée par fusible et adéquatement mise à la terre. Il est recommandé de raccorder le distributeur d'eau chaude sur un circuit distinct exclusif à cet appareil. Utiliser une prise qui ne puisse pas être activée/désactivée par un commutateur.

Méthode recommandée de liaison à la terre

Ce distributeur d'eau chaude doit être relié à la terre. Ce distributeur d'eau chaude est équipé d'un cordon d'alimentation électrique à trois broches pour la liaison à la terre. Pour minimiser les risques de choc électrique, on doit brancher le cordon sur une prise de courant de configuration correspondante, à 3 alvéoles, reliée à la terre et installée conformément à tous les codes et règlements locaux. Si une prise de courant compatible n'est pas disponible, c'est au client qu'incombe la responsabilité de faire installer une prise de courant à 3 alvéoles convenablement reliée à la terre, par un électricien qualifié.

C'est au client qu'incombe la responsabilité de :

- Contacter un électricien qualifié.
- Veiller à ce que l'installation électrique soit réalisée de façon adéquate et en conformité avec le code national de l'électricité, ANSI/NFPA 70—dernière édition, et tous les codes et règlements locaux en vigueur.

On peut obtenir des exemplaires des normes mentionnées à l'adresse suivante :

National Fire Protection Association
One Batterymarch Park
Quincy, MA 02269

Spécifications de l'alimentation en eau

Si les codes locaux le permettent, le robinet du distributeur d'eau chaude doit être raccordé à un tube (non fourni) d'un diamètre de 1/4" (6,4 mm) lui-même raccordé à la canalisation d'alimentation en eau froide à l'aide d'un robinet d'arrêt à étrier (non fourni) ou par un autre moyen approprié. Si on utilise un robinet d'arrêt à étrier, ne pas installer de robinet d'arrêt à étrier de 3/16" (4,8 mm) ou de type à percer, car ce type d'accessoire réduit le débit d'eau et s'obstrue plus facilement.

IMPORTANT :

- Si les codes locaux ne permettent pas l'utilisation de robinets d'arrêt à étrier, on peut se procurer des robinets d'alimentation spéciaux chez un distributeur d'accessoires de plomberie.

- Le raccordement à une canalisation d'alimentation en eau chaude est déconseillé. Le fait de chauffer l'eau deux fois gaspille de l'énergie et peut donner un goût désagréable à l'eau.
- L'installation d'un filtre à eau est recommandée si votre source d'approvisionnement en eau contient du sable, du gravier ou d'autres particules ou si l'eau possède un goût ou une odeur inhabituels. Si un système de filtration de l'eau est utilisé, l'eau filtrée doit arriver dans le circuit du distributeur d'eau chaude sous une pression d'au moins 20 lb/po² (138 kPa) pour que le distributeur fonctionne correctement.
- Si l'eau arrive dans le circuit du distributeur d'eau sous une pression inférieure à 20 lb/po² (138 kPa), le distributeur ne fonctionnera pas correctement.

INSTRUCTIONS D'INSTALLATION

Inspection de l'appareil livré

- This distributeur d'eau chaude est livré en un seul colis.
- Inspecter l'équipement dès sa réception pour identifier d'éventuels dommages subis en cours de transport. Si l'emballage est endommagé, inspecter l'appareil qui se trouve dans l'emballage.

- Si des dommages sont détectés, décrire les dommages sur la facture de fret du transporteur. Toute demande d'indemnisation pour dommages doit être soumise immédiatement au transporteur. Toute réclamation pour déficience doit être soumise au fournisseur dans les 5 jours.

REMARQUE : Si l'on remarque que l'appareil a subi des dommages et qu'ils ont été signalés au transporteur, ne pas installer l'équipement—la demande d'indemnisation pourrait être rejetée.

Installation du robinet

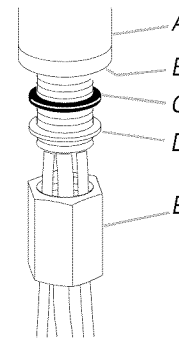
REMARQUE : Le distributeur d'eau chaude n'est pas un purificateur d'eau. Dans certains cas, un système de filtration de l'eau est nécessaire pour améliorer la qualité de l'eau.

1. Décider de l'endroit où le robinet du distributeur d'eau chaude doit être installé. Regarder sous l'évier pour s'assurer que les anneaux de renforcement, les supports de fixation ou la disposition de l'armoire ne nuisent pas à l'installation du robinet du distributeur d'eau chaude.
2. Pour préparer l'évier ou le comptoir en vue de l'installation du robinet, exécuter l'une des actions suivantes :
 - retirer le bouchon de l'évier;
 - utiliser une ouverture déjà présente dans l'évier ou le comptoir;
 - pratiquer une ouverture dans l'évier ou le comptoir.

REMARQUE : Il est recommandé de faire appel à un plombier autorisé ou à un installateur professionnel pour pratiquer une ouverture dans l'évier ou le comptoir.

3. Placer le tube bien droit afin qu'il passe dans l'ouverture de l'évier ou du comptoir.
4. Retirer l'écrou, la rondelle en métal et la rondelle en caoutchouc du robinet.

REMARQUE : Ne pas retirer le joint torique situé à la base du robinet.



A. Base du robinet

B. Joint torique en caoutchouc

C. Rondelle en caoutchouc

D. Rondelle en métal

E. Écrou

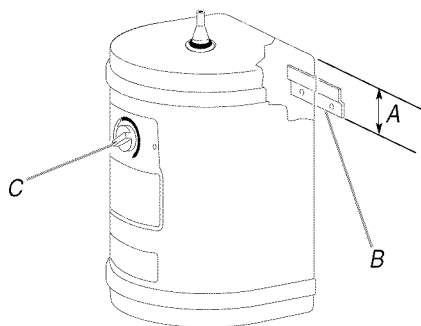
5. Faire passer le tube dans l'ouverture de l'évier ou du comptoir. Tenir le robinet en place pendant l'installation de la rondelle en caoutchouc, de la rondelle en métal et de l'écrou sur la base du robinet, sous l'évier ou le comptoir. Bien serrer l'écrou.

Installation du réservoir

1. Disposer le réservoir en position verticale sous le robinet de sorte que le long tube de $\frac{1}{4}$ " (6,4 mm) du robinet rejoigne le raccord à branchement facile situé sur la face supérieure du réservoir.

IMPORTANT : Le réservoir doit être positionné de manière à ce que le tube descendant du robinet ne soit pas plié.

2. Sur le mur, marquer d'un trait l'emplacement de l'extrémité supérieure du réservoir. Mettre le réservoir de côté.
3. Tracer une deuxième ligne à $2\frac{1}{4}$ " (5,7 cm) sous la première.
4. Aligner l'extrémité inférieure du support de fixation sur la plus basse des deux lignes.



- A. $2\frac{1}{4}$ " (5,7 cm)
- B. Support de fixation
- C. Bouton de réglage de la température à la position "OFF"

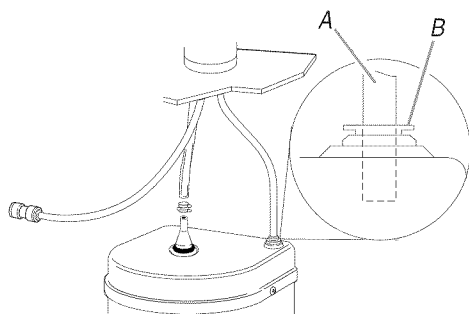
5. Utiliser deux vis (et des pièces d'ancrage mural, si nécessaire) (non fournies) pour fixer le support de fixation au mur.
6. Fixer le réservoir au support.

IMPORTANT :

- Ne pas brancher le cordon d'alimentation électrique dans la prise à trois alvéoles pour l'instant.
- Ne pas étirer, tordre ou plier exagérément le tube.
- Ne pas utiliser de produits d'étanchéité.

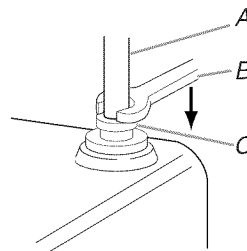
7. Raccorder le long tube de $\frac{1}{4}$ " (6,4 mm) du robinet au raccord à branchement rapide situé à l'arrière de la face supérieure du réservoir.
8. Enfoncer le tube dans le raccord aussi loin que possible, en le tenant à la verticale. Tirer sur le tube pour s'assurer qu'il est solidement fixé et bien en place.

Raccord à branchement facile



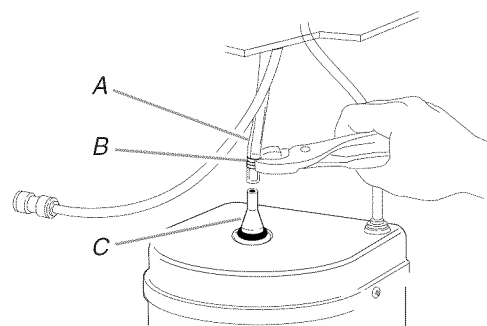
- A. Tube du robinet
- B. Collet

REMARQUE : Pour retirer le tube du raccord à branchement facile, appuyer sur le collet et retirer le tube. La manœuvre est plus facile si l'on se sert d'une clé plate de $\frac{1}{4}$ " ou 7 mm pour appuyer sur le collet.



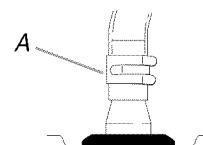
- A. Tube du robinet
- B. Clé plate de $\frac{1}{4}$ " ou 7 mm
- C. Collet

9. Avec une pince, ouvrir la bride de tuyau (fournie) et enfiler la bride d'environ 2" (5,1 cm) sur le plus gros des deux tubes descendant du robinet.



- A. Tube du diamètre le plus grand
- B. Bride de tuyau
- C. Tube de sortie du réservoir

10. Enfoncer le tube aussi loin que possible dans le tube de sortie du réservoir.
11. À l'aide d'une pince, positionner la bride de sorte qu'elle se trouve près de l'extrémité du tube.



- A. Bride de tuyau

12. Installer le robinet d'arrêt à étrier ou les autres accessoires de plomberie requis pour raccorder le tube de $\frac{1}{4}$ " (6,4 mm) descendant du raccord à branchement rapide du robinet à la canalisation d'alimentation en eau froide.
13. Nettoyer la canalisation en y faisant passer de l'eau (au-dessus d'un seau ou d'un bac). Cela permet d'évacuer les débris pouvant avoir été emprisonnés à l'intérieur de la canalisation d'alimentation pendant le raccordement.

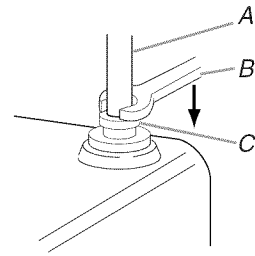
14. S'assurer que l'eau s'écoule librement et qu'il n'y a aucune fuite.
15. Raccorder le tube de 1/4" (6,4 mm) relié à la canalisation d'alimentation en eau au tube du robinet à l'aide du raccord à branchement rapide assemblé en usine. Tenir le tube de la canalisation d'alimentation en eau bien droit et l'enfoncer le plus loin possible dans le raccord. Tirer sur le tube pour s'assurer qu'il est solidement fixé et bien en place.

Raccord à branchement rapide assemblé en usine



IMPORTANT : Pour que le raccord à branchement rapide assemblé en usine fonctionne bien, s'assurer de ne pas en retirer le tube.

REMARQUE : Pour retirer le tube du raccord à branchement facile, appuyer sur le collet et retirer le tube. La manœuvre est plus facile si l'on se sert d'une clé plate de 1/4" ou 7 mm pour appuyer sur le collet.



A. Tube du robinet
B. Clé plate de 1/4" ou 7 mm
C. Collet

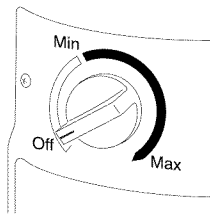
16. Faire couler de l'eau par le robinet.
17. S'assurer qu'il n'y a pas de fuites.

Achever l'installation

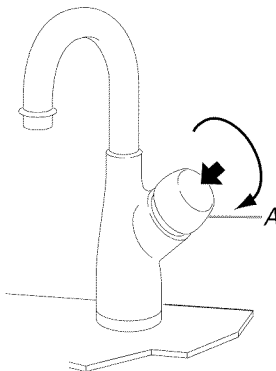
IMPORTANT : Le distributeur d'eau chaude peut être endommagé si l'on ne suit pas les étapes ci-dessous.

REMARQUE : Ne pas brancher le distributeur d'eau chaude à la source d'alimentation électrique pour l'instant.

1. Tourner le bouton de réglage de la température dans le sens antihoraire et le placer à la position "OFF".



2. Enfoncer le chapeau du robinet et le faire pivoter dans le sens horaire pour ouvrir le robinet. Retenir le chapeau dans cette position jusqu'à ce que de l'eau s'écoule du robinet (entre 1 minute et 1 1/2 minute). Le fait que de l'eau s'écoule du robinet indique que le réservoir du distributeur d'eau chaude est plein.



A. Chapeau du robinet – Modèle KHVG260

3. Lâcher le chapeau du robinet.
4. Vérifier qu'il n'y a pas de fuites.

REMARQUE : S'assurer que le bouton de réglage de la température est à la position "OFF" avant de brancher le distributeur d'eau chaude à la source d'alimentation électrique. Si le réservoir est vide et que le bouton de réglage de la température est en position "ON" au moment du branchement, le distributeur d'eau chaude surchauffera et il sera irrémédiablement endommagé.

⚠ AVERTISSEMENT



Risque de choc électrique

Brancher sur une prise à 3 alvéoles reliée à la terre.

Ne pas enlever la broche de liaison à la terre.

Ne pas utiliser un adaptateur.

Ne pas utiliser un câble de rallonge.

Le non-respect de ces instructions peut causer un décès, un incendie ou un choc électrique.

5. Brancher le cordon d'alimentation électrique dans une prise à trois alvéoles reliée à la terre.
6. Tourner le bouton de réglage de la température dans le sens horaire jusqu'à ce qu'il soit à la position maximale. Compter environ 15 minutes pour que l'eau contenue dans le réservoir atteigne la température maximale.

REMARQUES :

- Il se peut que le réservoir émette des gargouillements pendant le chauffage de l'eau. Ceci est normal.
- Il se peut qu'une petite quantité d'eau chaude s'écoule du robinet la première fois que le distributeur chauffe de l'eau. Ceci est normal.
- Le bouton de réglage de la température ne commande pas l'écoulement de l'eau. Pour faire couler de l'eau, enfoncer le chapeau du robinet et le faire tourner dans le sens horaire.
- Le bouton de réglage de la température permet de déterminer la température à laquelle l'eau est chauffée dans le réservoir. Faire tourner le bouton de réglage de la température dans le sens horaire pour augmenter la température de l'eau et dans le sens antihoraire pour la diminuer.
- Diminuer la température de chauffage de l'eau si de la vapeur s'échappe près du robinet ou si un bruit d'eau bouillante de fait entendre.

UTILISATION DU DISTRIBUTEUR D'EAU CHAUDE

Vidange du réservoir du distributeur d'eau chaude avant usage

REMARQUE : Avant d'utiliser l'eau chaude du distributeur d'eau chaude pour la première fois, attendre environ 15 minutes pour que le réservoir ait le temps de chauffer l'eau.

1. Enfoncer le chapeau et le faire pivoter dans le sens horaire pour ouvrir le robinet.
2. Laisser l'eau couler pendant environ 1 minute afin de vider complètement le réservoir du distributeur d'eau chaude.

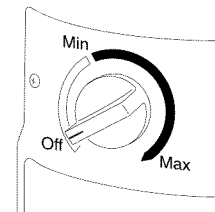
3. Lâcher le chapeau du robinet et attendre environ 15 minutes pour que le réservoir chauffe l'eau à nouveau.
4. S'assurer que toutes les étapes de l'installation ont été suivies.
5. Vérifier qu'il n'y a pas de fuites.

Réglage de la température

La température de l'eau est réglée au moyen d'un thermostat relié au bouton de réglage de la température. La température maximale permise par le bouton de réglage de la température est d'environ 190°F (88°C).

1. Pour augmenter la température de l'eau, tourner le bouton de réglage de la température dans le sens horaire.
2. Pour diminuer la température de l'eau, tourner le bouton de réglage de la température dans le sens antihoraire.

REMARQUE : Pour obtenir le meilleur rendement possible, on recommande de placer le bouton de réglage de la température à la position "MAX". Cependant, placer le bouton de réglage à une température inférieure si de la vapeur apparaît près du robinet ou si un bruit d'eau bouillante se fait entendre.

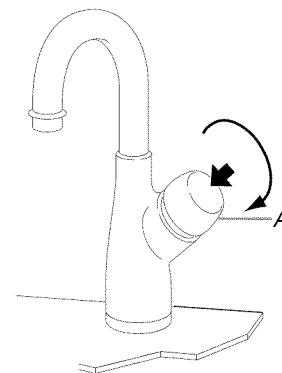


Distribution d'eau chaude

1. Enfoncer le chapeau du robinet et le faire pivoter dans le sens horaire pour ouvrir le robinet.
2. Lâcher le chapeau du robinet après l'obtention de la quantité désirée d'eau chaude.

REMARQUES :

- Un court délai entre la rotation du chapeau du robinet et l'écoulement de l'eau chaude est normal.
- Le débit d'eau s'écoulant du robinet varie selon l'importance de la rotation imposée au chapeau du robinet.



A. Chapeau du robinet—Modèle KHWG260

ENTRETIEN DU DISTRIBUTEUR D'EAU CHAUDE

REMARQUE : Il n'est pas nécessaire d'éteindre le distributeur d'eau chaude chaque soir pour économiser de l'énergie. Le distributeur d'eau chaude consomme environ 10 à 19 kilowatts-heure d'électricité par mois s'il chauffe entre 7 et 8 tasses d'eau par jour.

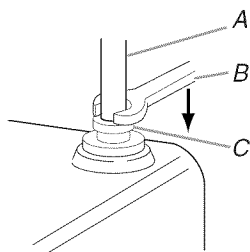
Préparation du distributeur d'eau chaude en vue d'une période de non-utilisation

Si on prévoit de ne pas utiliser le distributeur d'eau chaude pendant une période comprise entre 2 et 30 jours, placer le bouton de réglage de la température à la position "Off" pour économiser de l'énergie.

Hivérisation et entreposage saisonnier

Entretien par temps froid

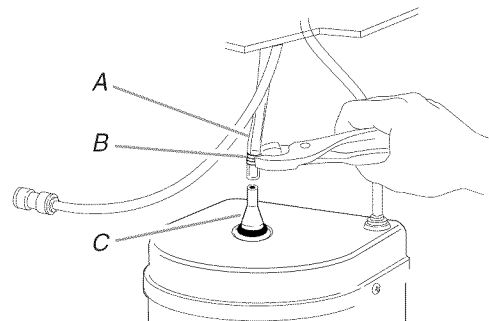
1. Placer le bouton de réglage de la température à la position "OFF".
2. Débrancher le cordon d'alimentation électrique du distributeur d'eau chaude.
3. Enfoncer le chapeau du robinet et le faire pivoter dans le sens horaire pour ouvrir le robinet.
4. Laisser l'eau couler jusqu'à ce qu'elle devienne froide.
5. Lâcher le chapeau du robinet.
6. Fermer le robinet d'alimentation en eau.
7. Placer un récipient sous le réservoir afin de recueillir l'eau qui pourrait s'en écouler.
8. Pour retirer le tube du robinet du raccord à branchement rapide, appuyer sur le collet et retirer le tube. La manœuvre est plus facile si l'on se sert d'une clé plate de 1/4" ou 7 mm pour appuyer sur le collet.



A. Tube du robinet
B. Clé plate de 1/4" ou 7 mm
C. Collet

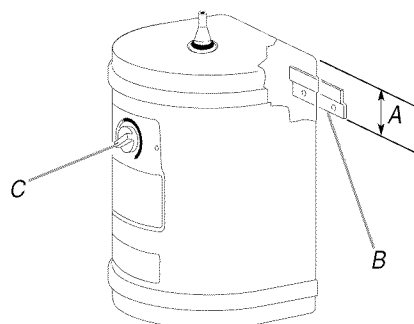
9. Avec une pince, ouvrir la bride de tuyau (fournie) du plus gros des deux tubes descendant du robinet.
10. Placer la bride d'environ 2" (5 cm) de l'extrémité du plus gros des deux tubes descendant du robinet.

11. Retirer le tube possédant le plus grand diamètre du tube de sortie du réservoir.



A. Tube du diamètre le plus grand
B. Bride de tuyau
C. Tube de sortie du réservoir

12. Soulever le réservoir du distributeur d'eau chaude du support mural.



A. 2 1/4" (5,7 cm)
B. Support de fixation
C. Bouton de réglage de la température à la position "OFF"

13. Au-dessus d'un évier ou d'un bac, retourner le réservoir du distributeur d'eau chaude afin que toute l'eau qui y est contenue s'en écoule.
14. Réinstaller le réservoir du distributeur d'eau chaude sur le support de fixation.
15. Rebrancher les tubes du robinet. Voir "Installation du réservoir".

REMARQUE : Pour préparer le distributeur d'eau chaude en vue de son utilisation, voir "Achever l'installation".

IMPORTANT : Ne pas brancher le distributeur d'eau chaude ou mettre le thermostat en marche avant que le réservoir ne soit rempli d'eau. Le distributeur d'eau chaude peut être irrémédiablement endommagé s'il est branché avant que le réservoir ne soit rempli.

DÉPANNAGE

Avant de contacter un réparateur, consulter les suggestions ci-dessous pour voir si votre problème peut être résolu sans aide extérieure.

Le distributeur d'eau chaude ne fonctionne pas

⚠ AVERTISSEMENT



Risque de choc électrique

Brancher sur une prise à 3 alvéoles reliée à la terre.

Ne pas enlever la broche de liaison à la terre.

Ne pas utiliser un adaptateur.

Ne pas utiliser un câble de rallonge.

Le non-respect de ces instructions peut causer un décès, un incendie ou un choc électrique.

- **Le cordon d'alimentation électrique est débranché.** Brancher à une prise à trois alvéoles reliée à la terre. Voir "Spécifications électriques".
- **Un fusible est grillé ou un disjoncteur s'est ouvert.** Remplacer le fusible ou réarmer le disjoncteur. Si le problème persiste, appeler un électricien. Voir "Spécifications électriques".
- **Le robinet d'alimentation en eau est fermé.** Ouvrir le robinet d'alimentation en eau.
- **Le bouton de réglage de la température n'est pas au maximum.** Placer le bouton de réglage de la température à la position maximale pour obtenir un meilleur rendement.
- **Le circuit d'alimentation local est en panne.** Attendre que l'alimentation locale soit rétablie.
- **La prise à trois alvéoles est commandée par un interrupteur.** Mettre l'interrupteur en position de fonctionnement.

Les fusibles grillent ou les disjoncteurs s'ouvrent lorsque le distributeur d'eau chaude fonctionne

- **Trop d'appareils sont branchés sur le même circuit.** Débrancher ou déplacer les appareils partageant le même circuit.

L'eau est froide

- **Le cordon d'alimentation électrique est débranché.** Brancher à une prise à trois alvéoles reliée à la terre. Voir "Spécifications électriques".
- **Un fusible est grillé ou un disjoncteur s'est ouvert.** Remplacer le fusible ou réarmer le disjoncteur. Si le problème persiste, appeler un électricien. Voir "Spécifications électriques".

- **Le bouton de réglage de la température n'est pas à "Max".** Placer le bouton de réglage de la température à la position maximale pour obtenir un meilleur rendement.
- **Le circuit d'alimentation local est en panne.** Attendre que l'alimentation locale soit rétablie.
- **La prise à trois alvéoles est commandée par un interrupteur.** Mettre l'interrupteur en position de fonctionnement.
- **L'eau contenue dans le réservoir est en cours de chauffage.** Attendre 15 minutes avant de vérifier la température de l'eau.

De la vapeur s'échappe près du robinet, l'eau est trop chaude ou un bruit d'eau bouillante se fait entendre

- **La température choisie à l'aide du bouton de réglage de la température est trop élevée.** Tourner le bouton de réglage de la température de manière à choisir une température inférieure.
- REMARQUE :** En altitude élevée, ne pas régler la température à une valeur trop élevée pour éviter l'ébullition de l'eau.

De l'eau chaude dégoutte ou gicle du robinet

- **Le tube est plié ou déformé.** Redresser le tube.
- **La température choisie à l'aide du bouton de réglage de la température est trop élevée.** Tourner le bouton de réglage de la température de manière à choisir une température inférieure.
- **Le tube n'est pas installé correctement.** Voir "Installation du robinet" et "Installation du réservoir".

L'eau ne s'écoule pas du robinet

- **Le robinet d'alimentation en eau est fermé.** Ouvrir le robinet d'alimentation en eau.
- **Le tube est plié.** Redresser tous les tubes.
- **La pression d'eau est trop faible.** L'eau doit arriver dans le circuit du distributeur d'eau chaude sous une pression minimale de 20 lb/po² (138 kPa).

L'eau a un goût désagréable

- **Le distributeur d'eau chaude est raccordé à une canalisation d'alimentation en eau chaude.** Raccorder le distributeur d'eau chaude à une canalisation d'alimentation en eau froide.
- **La quantité d'eau utilisée quotidiennement est insuffisante (le distributeur n'est pas utilisé pendant 3 jours ou plus ou on utilise seulement 1 à 3 tasses d'eau par jour).** Vider le distributeur d'eau chaude de toute l'eau qu'il contient en tenant le chapeau du robinet en position ouverte pendant 2 à 3 minutes, le temps requis pour vidanger le réservoir. Attendre environ 15 minutes avant de faire couler de l'eau chaude pour que l'eau froide arrivée dans le réservoir ait le temps d'être chauffée.

- **Le circuit d'alimentation en eau a besoin d'un système de filtration.** Installer un système de filtration sur la canalisation d'alimentation en eau froide.

Le débit d'eau s'écoulant du robinet est faible : moins de ½ gal. (1,9 L) par minute

- **Le système de filtration de l'eau réduit la pression.** L'eau doit arriver au distributeur d'eau chaude sous une pression minimale de 20 lb/po2 (138 kPa).

ASSISTANCE OU SERVICE

Avant de faire un appel pour assistance ou service, consulter la section "Dépannage". Ce guide peut vous faire économiser le coût d'une visite de service. Si vous avez encore besoin d'aide, suivre les instructions ci-dessous.

Lors d'un appel, veuillez connaître la date d'achat, le numéro de modèle et le numéro de série au complet de l'appareil. Ces renseignements nous aideront à mieux répondre à votre demande.

Si vous avez besoin de pièces de rechange

Si vous avez besoin de commander des pièces de rechange, nous vous recommandons d'employer uniquement des pièces spécifiées par l'usine. Les pièces spécifiées par l'usine conviendront et fonctionneront bien parce qu'elles sont fabriquées avec la même précision que celle utilisée dans la fabrication de chaque nouvel appareil KITCHENAID®.

Pour localiser des pièces spécifiées par l'usine dans votre région, nous appelons ou contactons le centre de service désigné KitchenAid le plus proche.

Aux États-Unis

Téléphoner au Centre d'interaction avec la clientèle de KitchenAid sans frais d'interurbain: **1-800-422-1230**.

Nos consultants sont prêts à vous aider pour les questions suivantes :

- Caractéristiques et spécifications sur toute notre gamme d'appareils électroménagers.
- Renseignements d'installation.
- Procédés d'utilisation et d'entretien.
- Vente de pièces de rechange et d'accessoires.
- Assistance spécialisée aux consommateurs (langue espagnole, malentendants, malvoyants, etc.).
- Références aux marchands locaux, distributeurs de pièces de rechange et compagnies de service. Les techniciens de service désignés par KitchenAid sont formés pour effectuer les travaux de réparation sous garantie et le service après la garantie, partout aux États-Unis.

Pour localiser la compagnie de service désignée par KitchenAid dans votre région, vous pouvez aussi consulter les Pages jaunes de l'annuaire téléphonique.

Pour plus d'assistance

Si vous avez besoin de plus d'assistance, vous pouvez soumettre par écrit toute question ou préoccupation à KitchenAid à l'adresse suivante :

KitchenAid Brand Home Appliances
Customer eXperience Center
553 Benson Road
Benton Harbor, MI 49022-2692

Dans votre correspondance veuillez indiquer un numéro de téléphone où on peut vous joindre le jour.

Au Canada

Veuillez appeler sans frais le Centre pour l'eXpérience de la clientèle de KitchenAid Canada au : **1-800-807-6777**.

Nos consultants vous renseigneront sur les sujets suivants :

- Caractéristiques et spécifications sur toute notre gamme d'appareils électroménagers.
- Consignes d'utilisation et d'entretien.
- Vente d'accessoires et de pièces de rechange.
- Références aux marchands locaux, aux distributeurs de pièces de rechange et aux compagnies de service. Les techniciens de service désignés par KitchenAid Canada sont formés pour remplir la garantie des produits et fournir un service après la garantie, partout au Canada.

Pour plus d'assistance

Si vous avez besoin de plus d'assistance, vous pouvez soumettre par écrit toute question ou préoccupation à KitchenAid Canada à l'adresse suivante :

Centre pour l'eXpérience de la clientèle
KitchenAid Canada
1901 Minnesota Court
Mississauga, Ontario L5N 3A7

Veuillez inclure dans votre correspondance un numéro de téléphone où l'on peut vous joindre dans la journée.

GARANTIE DU DISTRIBUTEUR D'EAU CHAUDE KITCHENAID®

GARANTIE LIMITÉE DE UN AN SUR LES MODÈLES DE DISTRIBUTEURS D'EAU CHAUDE

Pendant un an à compter de la date d'achat, lorsque ce gros appareil ménager est installé, utilisé et entretenu conformément aux instructions jointes à ou fournies avec le produit, KitchenAid ou KitchenAid Canada (ci-après désignées "KitchenAid") paiera pour les pièces spécifiées par l'usine et la main-d'œuvre pour corriger les vices de matériaux ou de fabrication. Le service doit être fourni par une compagnie de service désignée par KitchenAid.

KITCHENAID NE PRENDRA PAS EN CHARGE

1. Les visites de service pour rectifier l'installation de l'appareil, montrer à l'utilisateur comment utiliser l'appareil, remplacer des fusibles ou rectifier le câblage ou la plomberie du domicile.
2. Les réparations lorsque l'appareil est utilisé à des fins autres que l'usage unifamilial normal. Les dommages imputables à : accident, modification, modification non autorisée faite à l'appareil, usage impropre ou abusif (tel qu'un impact important ou la chute d'objets), incendie, inondation, actes de Dieu, installation fautive ou installation non conforme aux codes d'électricité ou de plomberie, ou l'utilisation de produits non approuvés par KitchenAid.
3. Le coût des pièces de rechange et de la main-d'œuvre pour les appareils utilisés hors des États-Unis ou du Canada.
4. Le ramassage et la livraison. Ce gros appareil ménager est conçu pour être réparé à domicile.
5. Les réparations aux pièces ou systèmes résultant d'une modification non autorisée faite à l'appareil.
6. Les frais de voyage ou de transport pour le service d'un produit dans les régions éloignées.
7. La dépose et la réinstallation de votre appareil si celui-ci est installé dans un endroit inaccessible ou n'est pas installé conformément aux instructions d'installation fournies.

CLAUSE D'EXONÉRATION DE RESPONSABILITÉ AU TITRE DES GARANTIES IMPLICITES; LIMITATION DES RECOURS

LE SEUL ET EXCLUSIF RECOURS DU CLIENT DANS LE CADRE DE LA PRÉSENTE GARANTIE LIMITÉE CONSISTE EN LA RÉPARATION PRÉVUE CI-DESSUS. LES GARANTIES IMPLICITES, Y COMPRIS LES GARANTIES APPLICABLES DE QUALITÉ MARCHANDE ET D'APTITUDE À UN USAGE PARTICULIER, SONT LIMITÉES À UN AN OU À LA PLUS COURTE PÉRIODE AUTORISÉE PAR LA LOI. KITCHENAID N'ASSUME AUCUNE RESPONSABILITÉ POUR LES DOMMAGES FORTUITS OU INDIRECTS. CERTAINES JURIDICTIONS NE PERMETTENT PAS L'EXCLUSION OU LA LIMITATION DES DOMMAGES FORTUITS OU INDIRECTS, OU LES LIMITATIONS DE LA DURÉE DES GARANTIES IMPLICITES DE QUALITÉ MARCHANDE OU D'APTITUDE À UN USAGE PARTICULIER, DE SORTE QUE CES EXCLUSIONS OU LIMITATIONS PEUVENT NE PAS S'APPLIQUER DANS VOTRE CAS. CETTE GARANTIE VOUS CONFÈRE DES DROITS JURIDIQUES SPÉCIFIQUES ET VOUS POUVEZ ÉGALEMENT JOUIR D'AUTRES DROITS QUI PEUVENT VARIER D'UNE JURIDICTION À UNE AUTRE.

À l'extérieur du Canada et des 50 États des États-Unis, cette garantie ne s'applique pas. Contacter votre marchand KitchenAid autorisé pour déterminer si une autre garantie s'applique.

Si vous avez besoin de service, vous pouvez obtenir de l'aide en appelant KitchenAid. Aux É.-U., composer le **1-800-422-1230**. Au Canada, composer le **1-800-807-6777**.

4/08

Conservez ce manuel et votre reçu de vente ensemble pour référence ultérieure. Pour le service sous garantie, vous devez présenter un document prouvant la date d'achat ou d'installation.

Inscrivez les renseignements suivants au sujet de votre gros appareil ménager pour mieux vous aider à obtenir assistance ou service en cas de besoin. Vous devrez connaître le numéro de modèle et le numéro de série au complet. Vous trouverez ces renseignements sur la plaque signalétique située sur le produit.

Nom du marchand _____

Adresse _____

Numéro de téléphone _____

Numéro de modèle _____

Numéro de série _____

Date d'achat _____

W10121528A

© 2008. All rights reserved.
Tous droits réservés.

® Registered Trademark/TM Trademark of KitchenAid, U.S.A., KitchenAid Canada licensee in Canada
® Marque déposée/TM Marque de commerce de KitchenAid, U.S.A., Emploi sous licence par KitchenAid Canada au Canada

6/08
Printed in U.S.A.
Imprimé aux É.-U.