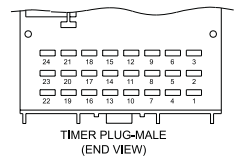
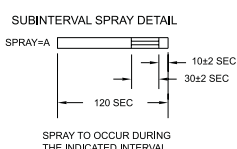
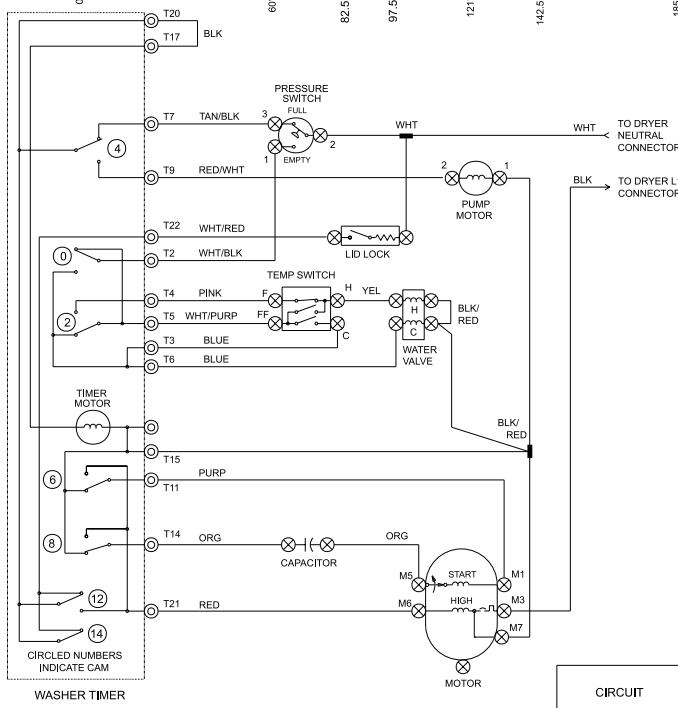
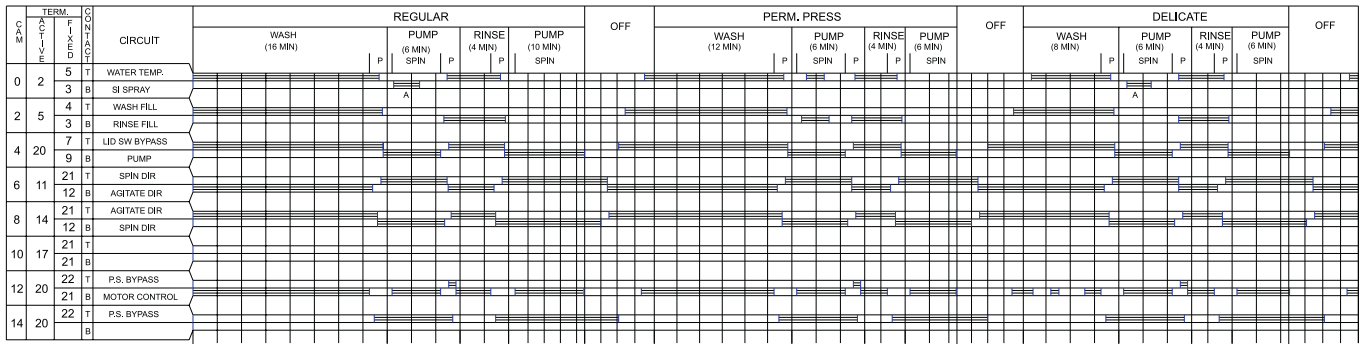


CAUTION: DISCONNECT ELECTRIC CURRENT BEFORE SERVICING



WIRING CODES

- ⊗ PLUG-IN TIMER
- ⊕ QUICK DISCONNECT TERMINAL
- ⊕ CONNECTION
- ⊕ NO CONNECTION
- ⊕ MOTOR SWITCH
- ⊕ SPLICE
- ⊕ MOTOR PROTECTOR
- ⊕ CHASSIS (CABINET) GROUND
- ⊕ SCREW TERMINAL
- ⊕ HARNESS CONNECTOR TERMINAL
- ⊕ INSULATED TERMINAL

- NOTES:**
- ALL WIRING MUST CONFORM TO LOCAL ELECTRICAL CODES.
 - CONNECT DRYER TO 30 AMP INDIVIDUAL BRANCH CIRCUIT.
 - DRYER TIMER SHOWN IN OFF POSITION. DOOR SWITCH CLOSED, MOTOR AT REST, AN THERMOSTAT CLOSED, AND FABRIC SELECTOR SWITCH AT HIGH HEAT.
- WASHER TIMER SHOWN IN ON POSITION. TEMPERATURE SELECTOR SWITCH AT HOT WASH/COLD RINSE, AND PRESSURE SWITCH FULL.

TEMPERATURE SWITCH CIRCUIT

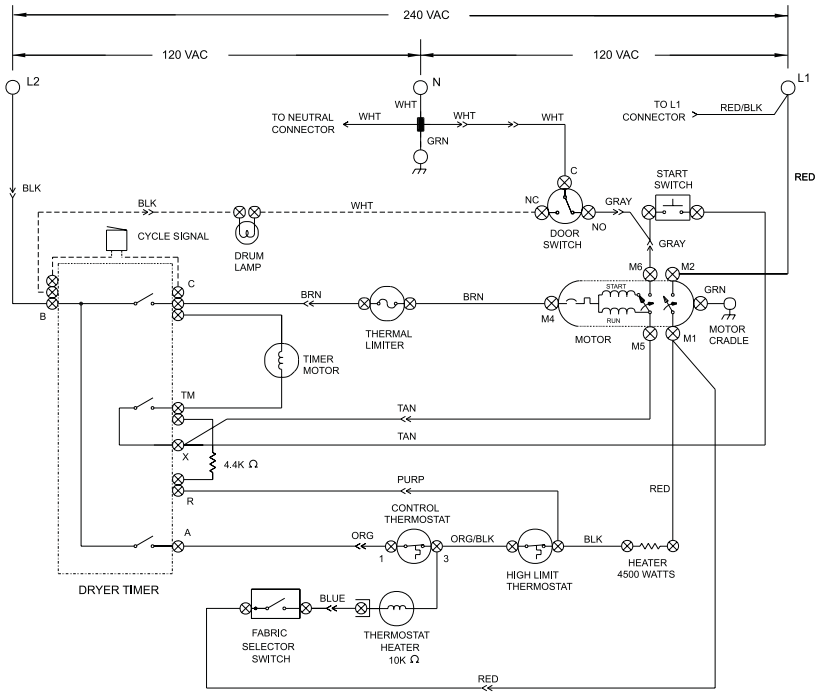
WASH/RINSE	F-H	FF-H	FF-C
HOT/COLD	X		
WARM/WARM (OPT)		X	X
COLD/COLD		X	X
WARM/COLD	X		X

X=CLOSED

CYCLES

CIRCUIT	CYCLES											
	AUTO DRY			OFF	TIMED DRY (MIN)							OFF
TIMER	31.7	15	0	105.3	90	75	60	45	30	15	0	OFF
HEATER												
MOTOR												

NOTE: DASHED LINES INDICATE CIRCUITS THAT ARE NOT IN ALL MODELS.



FABRIC SELECTOR SWITCH

POSITION	CIRCUIT
LOW HEAT	X
HIGH HEAT	

X=CLOSED

THE BAR CHART ABOVE REPRESENTS ONE COMPLETE REVOLUTION OF TIMER SHAFT. SHADED PORTION OF BAR CHART INDICATES THE PROPORTIONAL TIMES THAT INTERNAL TIMER CONTACTS ARE CLOSED.

