

INSTALLATION INSTRUCTIONS

Radiant Downdraft Cooktop Model JED8430



403 WEST FOURTH STREET, NORTH • NEWTON, IA 50208

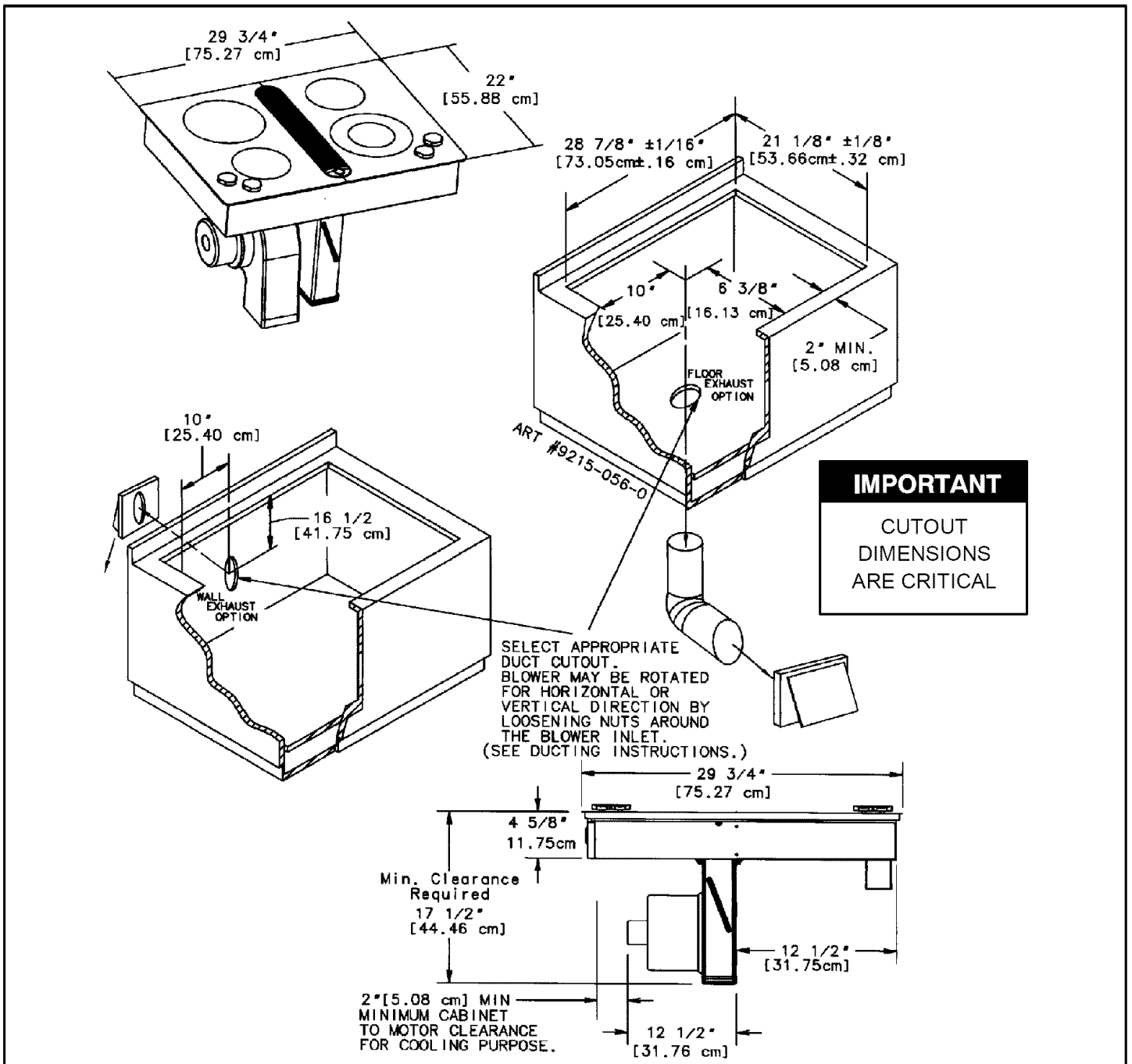
INSTALLER - SAVE FOR THE LOCAL ELECTRICAL INSPECTOR'S USE.

Installation should be performed only by an authorized Jenn-Air Service Contractor or other qualified installer. Read Safety Precautions in the Use & Care Manual before using this appliance.

INSTRUCTIONS TO INSTALLER: Side Clearance - Unit may be safely installed as near as 0" (0 cm) from a side wall if space limitations requires. However, a side clearance of at least 6" (15.24 cm) is recommended for optimum ventilation.

NOTICE TO INSTALLER: Leave these instructions with the appliance.

NOTICE TO CONSUMER: Retain these instructions for future reference.

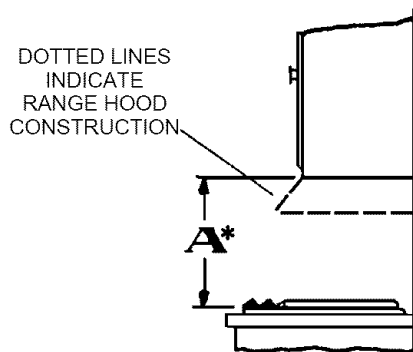


Installing Cabinetry Over Your Cooktop

A = 30" (76.2 cm) minimum clearance between the top of the cooktop and the bottom of an unprotected wood or metal cabinet.

A = 24" (60.96 cm) minimum when bottom of wood or metal cabinet is protected by not less than 1/4" (0.635 cm). FLAME RETARDANT millboard covered with not less than no. 28 MSG sheet steel, 0.015" (0.038 cm) stainless steel, 0.024" (0.061 cm) aluminum or copper.

* To eliminate the risk of burns or fire by reaching over heated surface units, cabinet storage space located above the surface units should be avoided. If cabinet storage is to be provided, the risk can be reduced by installing a range hood that projects horizontally a minimum of 5 inches beyond the bottom of the cabinets.



Installer Installation Suggestions

1. Chamfer all exposed edges of decorative laminate to prevent damage from chipping.
2. **Radius corners of cutout and file to insure smooth edges and prevent corner cracking.**
3. Rough edges, inside corners which have not been rounded and forced fits can contribute to cracking of the countertop laminate.
4. Countertop must be supported within 3" (7.62 cm) of cutout.

CAUTION

Warranty is void on equipment installed other than as recommended by manufacturer.

Electrical Wiring Information

The neutral of this unit is grounded to the frame through the green grounding wire. If used on new branch-circuit installations (1996 NEC), mobile homes, recreational vehicles, or in an area where local codes prohibit grounding through the neutral conductor, untwist or disconnect the green wire and connect the green wire to ground in accordance with local code. Connect the white neutral to the service neutral. Connect all wires to the branch circuit with approved connectors. Use copper or aluminum wire. If aluminum wire is used, use connectors recognized for joining aluminum to copper.

Proper Electrical Supply

You must provide an adequate electrical supply system as required for your cooktop. All wire connections must be in accordance with local codes and properly insulated. Check with local utility for governing electrical codes and ordinances. In the absence of local electrical codes, the National Electrical Code, NFPA No. 70, governing electric range installations must be followed. A copy of the National Electrical Code, NFPA No. 70, can be obtained by writing to:

National Fire Protection Association
 Batterymarch Park
 Quincy, Massachusetts 02269

A three-wire, single phase, A.C. 120/240 volt 60 cycle electrical system (properly circuit protected to meet Local Codes of NFPA No. 70) must be provided. Unit must be properly grounded in accordance with local wiring code. The chart below recommends the minimum circuit protector and wire size if the appliance is the only unit on the circuit. If smaller sizes of wire are used, the unit efficiency will be reduced and a fire hazard may be created. It is advisable that the electrical wiring and hookup be accomplished by a competent electrician.

K.W. RATING ON SERIAL PLATE	RECOMMENDED MINIMUM	
	CIRCUIT PROTECTION IN AMPERS	WIRE SIZE (AWG)
0 - 4.9	20	12
5.0 - 6.9	30	10
7.0 - 9.9	40	8
10.0 - 11.9	50	8
12.0 - 14.9	60	6

Notice To Installer

Follow accompanying instructions carefully.

This appliance is designed to always be vented outdoors.

This appliance should be ducted separately from other vented appliances.

CAUTION

Never use a metal blade to pry knob off. If knob cannot be easily removed, tuck folds of a dishtowel under knob skirt and pull upward with steady, even pressure.

Installation Of Appliance

1. Unpack unit.
2. Provide cutout for countertop and duct opening as required per page 1.
3. Place unit in the cutout.
4. Loosen cap nuts inside plenum to rotate blower housing to desired position. Connect outlet blower housing to vent duct. Tighten cap nuts inside plenum.
5. Remove attachment screw and cover from junction box. Connect BX cable to knockout on side of the junction box. Make wire connections, push wires into junction box. Re-attach cover. Consult local codes for proper power hookup (figure 1).
6. Test to insure control knobs operate all elements properly.

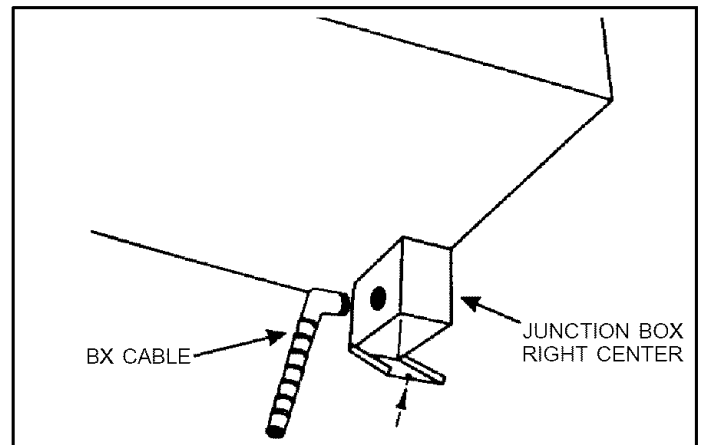


FIGURE 1



403 WEST FOURTH STREET, NORTH • NEWTON, IA 50208