

KitchenAid® Refrigerator

PRODUCT MODEL NUMBERS

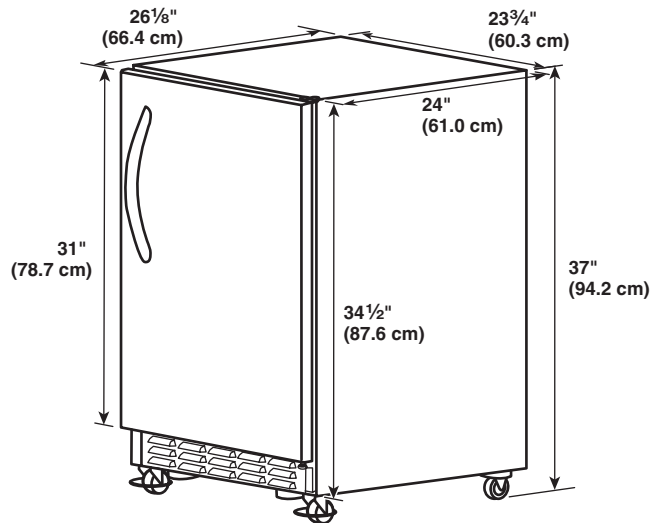
KORU06RS

KRCA06XR

Electrical: A 115 Volt, 60 Hz., AC only 15- or 20-amp fused, grounded electrical supply is required. It is recommended that a separate circuit serving only your refrigerator be provided. Use an outlet that cannot be turned off by a switch. Do not use an extension cord.

OVERALL DIMENSIONS

Dimensions with Casters Installed



Dimensions with Leveling Legs Installed

