
MICROWAVE HOOD COMBINATION INSTALLATION INSTRUCTIONS

This product is suitable for use above electric or gas cooking products up to 36" (91.4 cm) wide.

These installation instructions cover different models. The appearance of your particular model may differ slightly from the illustration in these installation instructions.

NOTES:

- Proper installation is the responsibility of the installer.
- Product failure due to improper installation is not covered under the warranty.

INSTRUCTIONS D'INSTALLATION DE L'ENSEMBLE FOUR À MICRO-ONDES/HOTTE

Ce produit est conçu pour l'utilisation au-dessus d'appareils de cuisson électriques ou à gaz de 36" (91,4 cm) de largeur ou moins.

Ces instructions d'installation sont valables pour plusieurs modèles. Il se peut que l'apparence de votre propre modèle soit légèrement différente de celle montrée sur les illustrations dans ce document.

REMARQUES :

- C'est à l'installateur qu'il incombe de réaliser une installation correcte.
- Les défaillances du produit dues à une installation incorrecte ne sont pas couvertes par la garantie.

Table of Contents / Table des matières

MICROWAVE HOOD COMBINATION SAFETY.....	2	SÉCURITÉ DE L'ENSEMBLE FOUR À MICRO-ONDES/HOTTE ..	13
INSTALLATION REQUIREMENTS.....	2	EXIGENCES D'INSTALLATION.....	13
Tools and Parts	2	Outillage et pièces	13
Location Requirements	3	Exigences d'emplacement.....	14
Product Dimensions.....	3	Dimensions du produit	14
Electrical Requirements	4	Spécifications électriques	15
INSTALLATION INSTRUCTIONS.....	4	INSTRUCTIONS D'INSTALLATION	15
Remove Mounting Plate.....	4	Dépose de la plaque de montage.....	15
Rotate Air Deflector	4	Réorientation du déflecteur d'air.....	15
Locate Wall Stud(s)	6	Identifier la position du/des poteaux du colombage mural.....	17
Mark Rear Wall	7	Tracé sur le mur arrière	18
Drill Holes in Rear Wall.....	8	Perçage de trous dans le mur arrière.....	19
Attach Mounting Plate to Wall	8	Fixation de la plaque de montage sur le mur	19
Prepare Upper Cabinet	9	Préparation du placard mural.....	20
Install the Microwave Oven.....	9	Installation du four à micro-ondes	21
Complete Installation	10	Achever l'installation.....	22
VENTING DESIGN SPECIFICATIONS	11	SPÉCIFICATIONS/CONCEPTION DU CIRCUIT D'ÉVACUATION	23
ASSISTANCE.....	12	ASSISTANCE	24
Replacement Parts.....	12	Pièces de rechange.....	24
Accessories	12	Accessoires	24

IMPORTANT: Read Installation Instructions thoroughly before beginning installation. Save Installation Instructions for local house inspector's use.

IMPORTANT : Lire complètement les instructions d'installation avant de commencer l'installation. Conserver ces instructions d'installation à l'usage de l'inspecteur local des installations de la maison.

MICROWAVE HOOD COMBINATION SAFETY

Your safety and the safety of others are very important.

We have provided many important safety messages in this manual and on your appliance. Always read and obey all safety messages.



This is the safety alert symbol.

This symbol alerts you to potential hazards that can kill or hurt you and others.

All safety messages will follow the safety alert symbol and either the word "DANGER" or "WARNING." These words mean:

⚠ DANGER

You can be killed or seriously injured if you don't **immediately** follow instructions.

⚠ WARNING

You can be killed or seriously injured if you don't follow instructions.

All safety messages will tell you what the potential hazard is, tell you how to reduce the chance of injury, and tell you what can happen if the instructions are not followed.

INSTALLATION REQUIREMENTS

Tools and Parts

Tools Needed

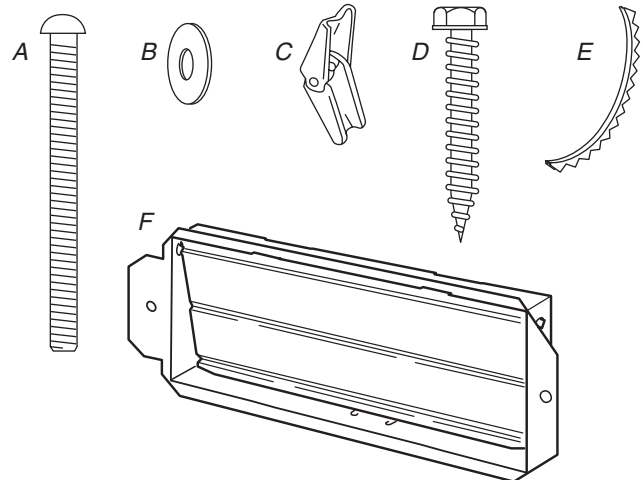
Gather the required tools and parts before starting installation. Read and follow the instructions provided with any tools listed here.

- Measuring tape
- Pencil
- Masking tape or thumbtacks
- Scissors
- No. 2 Phillips screwdriver
- No. 3 Phillips screwdriver for 1/4-20 x 3" round-head bolts
- Electric drill
- 3/16" (5 mm), 3/8" (10 mm) drill bits
- 3/4" (19 mm) hole saw
- Stud finder
- 7/16" socket wrench (or box wrench) for 1/4" x 2" lag screws
- 1 1/2" (3.8 cm) diam. hole drill bit for wood or metal cabinet
- Keyhole saw
- Caulking gun and weatherproof caulking compound
- Duct tape

Parts Supplied

For reorder information, see "Replacement Parts" section.

NOTE: The hardware items listed here are for wood studs. For other types of wall structures, be sure to use appropriate fasteners.



- A. 1/4-20 x 3" bolts (6)
- B. Washers (2)
- C. Toggle nuts (4)
- D. 1/4" x 2" lag screws (4)
- E. Power supply cord bushing (1)
- F. Damper assembly (for wall or roof venting)

Not Shown:

Upper cabinet template
Mounting plate (attached to back of microwave oven)
Aluminum grease filters
Charcoal filters (Depending on model, charcoal filters may not be included. See Use and Care Guide.)

NOTE: Depending on model, aluminum grease filter and charcoal filter may be combined.

Materials needed

- Standard fittings for wall or roof venting. See "Venting Design Specifications" section.

Location Requirements

Check the opening where the microwave oven will be installed. The location must provide:

- Minimum installation dimensions. See "Installation Dimensions" illustration.
- Minimum one 2" x 4" (50.8 x 101.6 mm) wood wall stud and minimum 3/8" (9.5 mm) thickness drywall or plaster/lath within cabinet opening.
- Support for weight of 150 lbs (68 kg), which includes microwave oven and items placed inside the microwave oven and upper cabinet.
- Grounded electrical outlet inside upper cabinet. See "Electrical Requirements" section.

NOTES:

- If installing the microwave oven near a left sidewall, make sure there is at least 6" (15.2 cm) of clearance between the wall and the microwave oven, so that the door can open fully.
- Some cabinet and building materials are not designed to withstand the heat produced by the microwave oven for cooking. Check with your builder or cabinet supplier to make sure that the materials used will not discolor, delaminate or sustain other damages.

Special Requirements

For Wall Venting Installation Only:

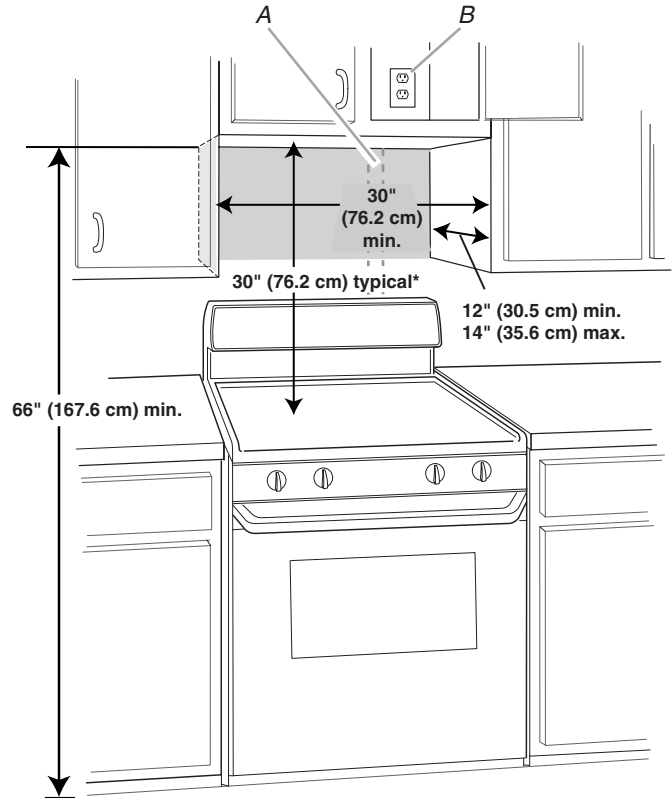
- Cutout must be free of any obstructions so that the vent tube fits properly, and the damper blade opens freely and fully.

For Roof Venting Installation Only:

- If you are using a rectangular to round transition piece, the 3" (7.6 cm) clearance needs to exist above the microwave oven so that the damper blade can open freely and fully. See "Rectangular to Round Transition" illustration in "Venting Design Specifications" section.

Installation Dimensions

NOTE: The grounded 3 prong outlet must be inside the upper cabinet. See "Electrical Requirements" section.

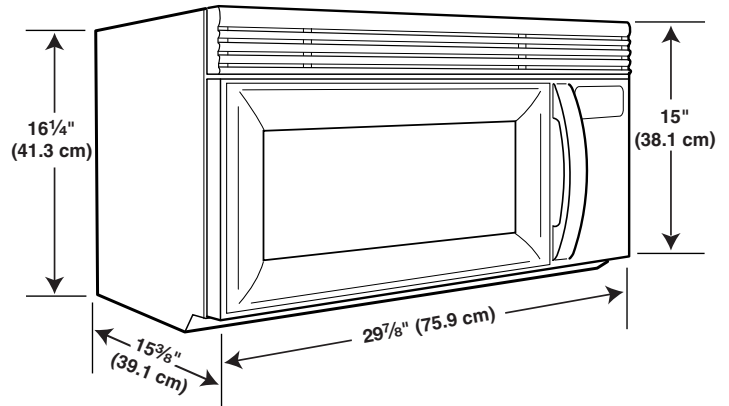


A. 2" x 4" wall stud

B. Grounded 3 prong outlet

*30" (76.2 cm) is typical for 66" (167.6 cm) installation height. Exact dimensions may vary depending on type of range/cooktop below.

Product Dimensions



Electrical Requirements

⚠ WARNING



Electrical Shock Hazard

Plug into a grounded 3 prong outlet.

Do not remove ground prong.

Do not use an adapter.

Do not use an extension cord.

Failure to follow these instructions can result in death, fire, or electrical shock.

Observe all governing codes and ordinances.

Required:

- A 120 Volt, 60 Hz, AC only, 15- or 20-amp electrical supply with a fuse or circuit breaker.

Recommended:

- A time-delay fuse or time-delay circuit breaker.
- A separate circuit serving only this microwave oven.

GROUNDING INSTRUCTIONS

■ For all cord connected appliances:

The microwave oven must be grounded. In the event of an electrical short circuit, grounding reduces the risk of electric shock by providing an escape wire for the electric current. The microwave oven is equipped with a cord having a grounding wire with a grounding plug. The plug must be plugged into an outlet that is properly installed and grounded.

WARNING: Improper use of the grounding plug can result in a risk of electric shock. Consult a qualified electrician or serviceman if the grounding instructions are not completely understood, or if doubt exists as to whether the microwave oven is properly grounded.

Do not use an extension cord. If the power supply cord is too short, have a qualified electrician or serviceman install an outlet near the microwave oven.

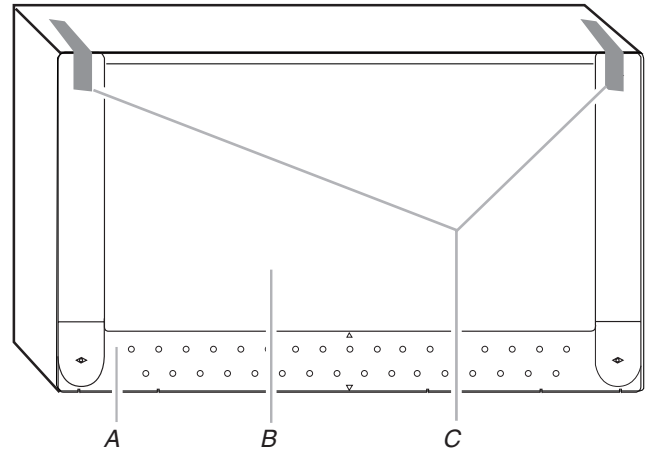
SAVE THESE INSTRUCTIONS

INSTALLATION INSTRUCTIONS

Remove Mounting Plate

NOTE: To avoid possible damage to the work surface, place a protective cover on the work surface.

1. Remove any remaining contents from the microwave oven cavity.
2. Remove the mounting plate by peeling off the strips of tape that attach it to the back of the microwave oven, and set the mounting plate aside.



A. Mounting plate
B. Back of microwave oven
C. Tape (multiple locations)

3. Tape the microwave oven door closed so that door does not swing open while the microwave oven is being handled.

NOTE: Do not grip or use the door or door handle while the microwave oven is being handled.

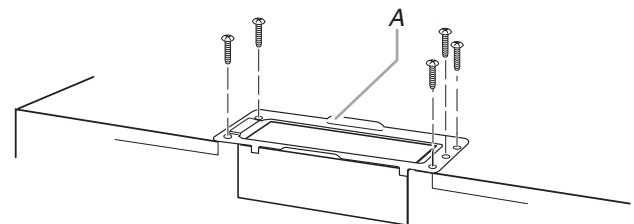
Rotate Air Deflector

The microwave oven is set for ventless (recirculating) installation. For wall or roof venting, changes must be made to the venting system.

NOTE: Skip this section if you are using ventless (recirculating) installation. Keep the damper assembly in case the venting method is changed, or the microwave oven is reinstalled in another location where wall or roof venting may be used.

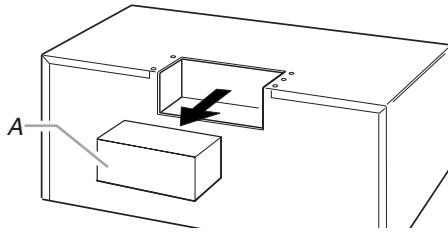
Wall Venting Installation Only

1. Remove 5 screws attaching damper plate to top of microwave oven exterior, then lift off damper plate.



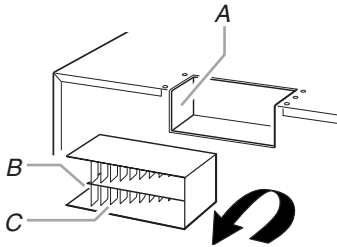
A. Damper plate

2. Keep damper plate and screws together and set aside.
3. Slide air deflector out of microwave oven.



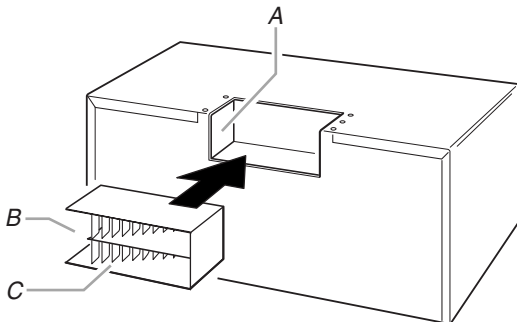
A. Air deflector

4. Rotate air deflector front to back so that deflector vanes face the back of the microwave oven, and the exhaust port (open end) of air deflector aligns with microwave oven exhaust port.



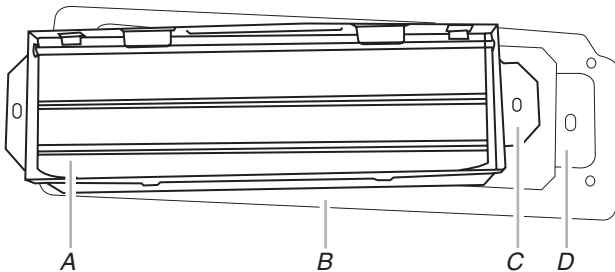
A. Microwave oven exhaust port
B. Air deflector exhaust port (open end)
C. Deflector vanes

5. Slide air deflector into the back of the microwave oven as shown, making sure its exhaust port (open end) aligns with the microwave oven exhaust port.



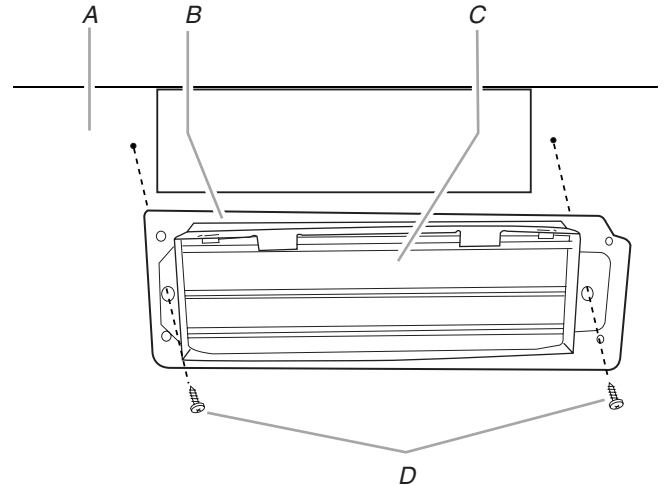
A. Microwave oven exhaust port
B. Air deflector exhaust port (open end)
C. Deflector vanes

6. Slide damper assembly into the damper plate by placing the long tab of the assembly under the raised slot of the damper plate, as shown.



A. Damper assembly
B. Damper plate
C. Long tab
D. Raised slot

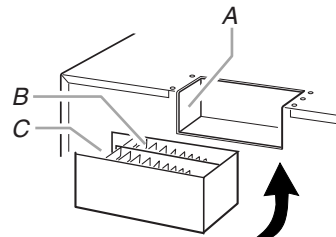
7. Attach the damper plate and assembly to the back of the microwave oven, as shown, and secure with 2 of the screws removed in Step 1.



A. Back of microwave oven
B. Damper plate
C. Damper assembly
D. Screws

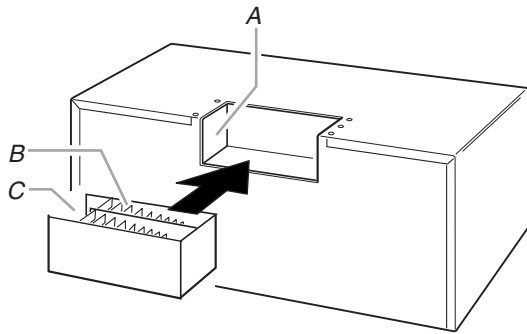
Roof Venting Installation Only

1. Repeat Step 1 from "Wall Venting Installation Only."
2. Repeat Step 2 from "Wall Venting Installation Only."
3. Repeat Step 3 from "Wall Venting Installation Only."
4. Rotate air deflector so that deflector vanes face the top of the microwave oven, and the exhaust port (open end) of air deflector aligns with microwave oven exhaust port.



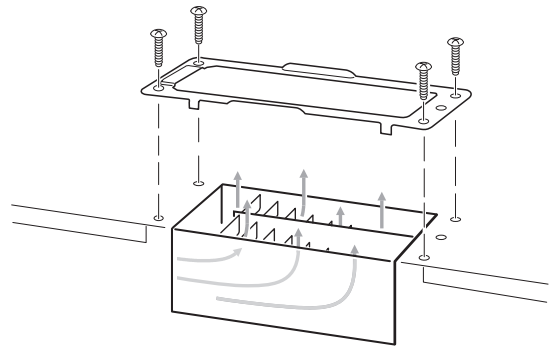
A. Microwave oven exhaust port
B. Deflector vanes
C. Air deflector exhaust port (open end)

- Slide air deflector into the back of the microwave oven as shown, making sure its exhaust port (open end) aligns with the microwave oven exhaust port.



A. Microwave oven exhaust port
 B. Deflector vanes
 C. Air deflector exhaust port (open end)

- Reattach damper plate at corners with 4 screws. Save the fifth screw for later use.



Locate Wall Stud(s)

NOTE: If no wall studs exist within the cabinet opening, do not install the oven.

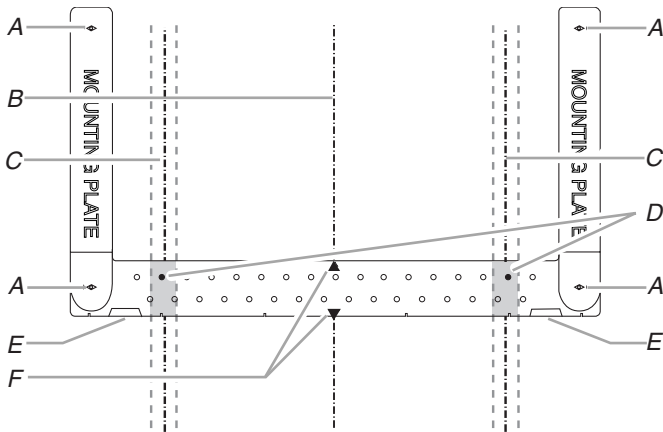
See illustrations in "Possible Wall Stud Configurations."

- Using a stud finder, locate the edges of the wall stud(s) within the opening.
- Mark the center of each stud, and draw a plumb line down each stud center. See illustrations in "Possible Wall Stud Configurations."

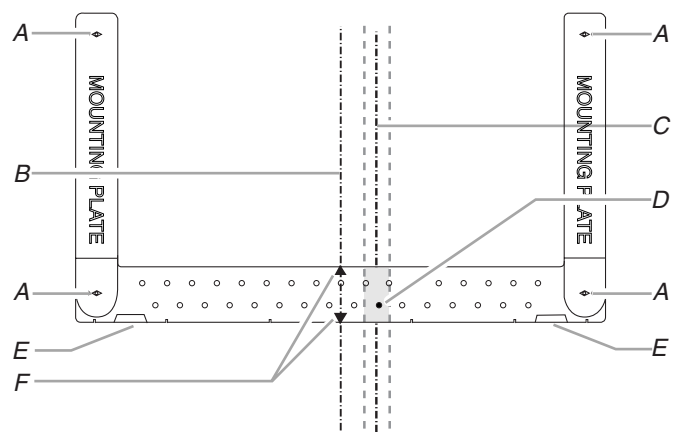
Possible Wall Stud Configurations

These depictions show examples of preferred installation configurations with the mounting plate.

No Wall Studs at Corner Holes
 Figure 1



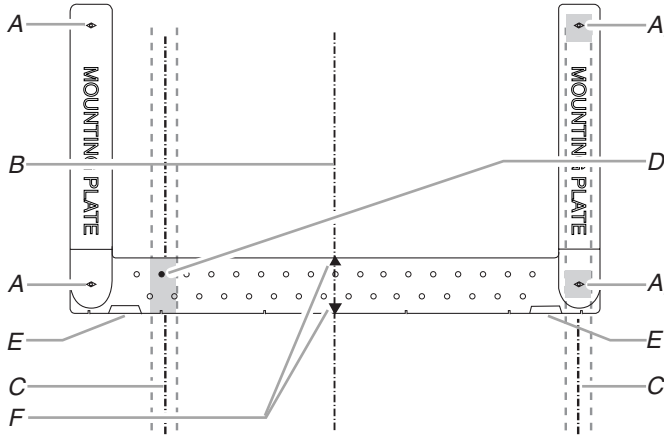
No Wall Studs at Corner Holes
 Figure 2



NOTE: If wall stud is within 6" (15.2 cm) of the vertical centerline (see "Mark Rear Wall" section), only recirculation or roof venting installation can be done.

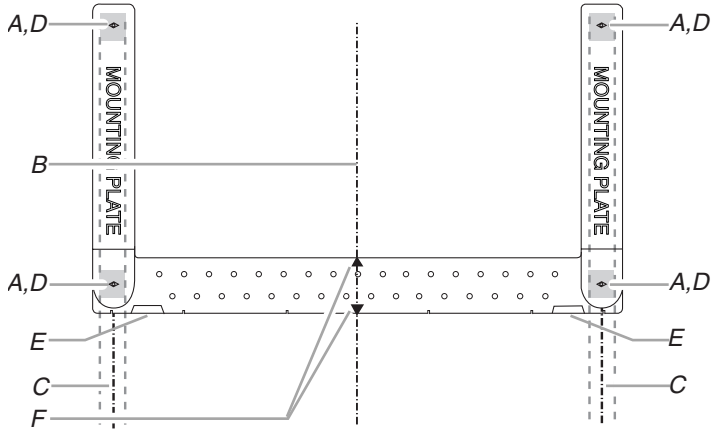
One Wall Stud at Two Corner Holes

Figure 3



Wall Studs at All Four Corner Holes

Figure 4

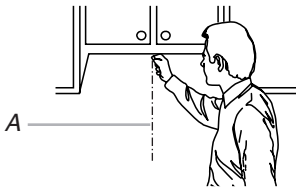


- A. Corner holes (on mounting plate)
- B. Cabinet opening vertical centerline
- C. Wall stud centerlines
- D. Holes for lag screws
- E. Support tabs
- F. Mounting plate center markers

Mark Rear Wall

The microwave oven must be installed on a minimum of 1 wall stud, preferably 2, using a minimum of 1 lag screw, preferably 2 or more.

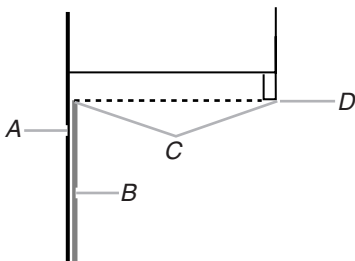
1. Using measuring tape, find and clearly mark the vertical centerline of the opening.



A. Centerline

2. With the support tabs facing forward (see illustrations in "Possible Wall Stud Configurations" in "Locate Wall Stud(s)" section), align the mounting plate center markers to the centerline on the wall, making sure it is level, and that the top of the mounting plate is butted up against the bottom edge of the upper cabinet.

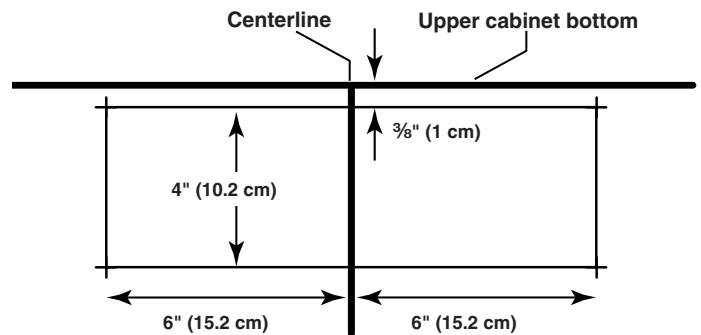
NOTE: If the front edge of the upper cabinet is lower than the back edge, lower the mounting plate so that its top is level with the front edge of the cabinet.



- A. Rear wall
- B. Mounting plate
- C. Top of mounting plate must align with front edge of cabinet.
- D. Front edge of upper cabinet

3. Holding the mounting plate in place, mark the 4 corner holes.
4. Find the wall stud centerline(s) marked in Step 2 of "Locate Wall Stud(s)," and mark at least 1, preferably 2 or more, hole(s) through the mounting plate, closest to the centerline(s). See figures 1, 2 and/or 3 in "Possible Wall Stud Configurations" in "Locate Wall Stud(s)" section. The blackened holes in the shaded areas are ideal hole locations.
5. Set mounting plate aside.

Wall Venting Installation Only



6. Mark the centerline $\frac{3}{8}$ " (1 cm) down from the bottom edge of the upper cabinet.
7. Using measuring tape, measure out 6" (15.2 cm) on both sides of the centerline, and mark.
8. Measure down 4" (10.2 cm) from the mark made in Step 6, and mark.
9. Using a straightedge, draw the 2 horizontal, level lines through the marks made in steps 6 and 8.
10. Draw the 2 vertical, plumb lines down from the marks made in Step 7 to complete the 12" x 4" (30.5 x 10.2 cm) rectangle. This is the venting cutout area.
11. Cut a $\frac{3}{4}$ " (19 mm) hole in one corner of the cutout area.
12. Using a keyhole saw, cut out the venting cutout area.

Drill Holes in Rear Wall

In addition to being installed on at least 1 wall stud, the mounting plate must attach to the wall at all 4 corner holes. If the holes are not over wall studs, use four 1/4-20 x 3" round-head bolts with toggle nuts; if 2 holes are over wall studs, use 2 each of lag screws and 1/4-20 x 3" round-head bolts with toggle nuts; or if all 4 holes are over wall studs, use 4 lag screws. Following are 3 installation configurations.

Installation for No Wall Studs at Corner Holes (Figures 1 & 2)

1. Drill 3/4" (19 mm) holes through the wall at all 4 corner holes marked in Step 3 of "Mark Rear Wall."
2. Drill 3/16" (5 mm) hole(s) into the wall stud(s) at the hole(s) marked in Step 4 of "Mark Rear Wall." Refer to figures 1 and 2 in "Possible Wall Stud Configurations" in "Locate Wall Stud(s)" section.

Installation for One Wall Stud at Two Corner Holes (Figure 3)

1. Drill 3/16" (5 mm) holes into the wall stud at the 2 corner holes marked in Step 3 of "Mark Rear Wall."
2. If installing on a second wall stud, drill 3/16" (5 mm) hole(s) into the wall stud at the holes marked in Step 4 of "Mark Rear Wall." Refer to Figure 3 in "Possible Wall Stud Configurations" in "Locate Wall Stud(s)" section.
3. Drill 3/4" (19 mm) holes through the wall at the other 2 corner holes.

Installation for Wall Studs at All Four Corner Holes (Figure 4)

1. Drill 3/16" (5 mm) holes into the studs at the 4 corner holes marked in Step 3 of "Mark Rear Wall."

Attach Mounting Plate to Wall

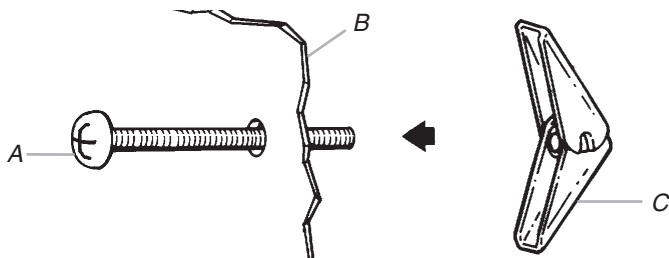
NOTE: Secure the mounting plate to the wall at all 4 corner holes drilled into the wall studs and/or drywall using either 1/4-20 x 3" round-head bolts and toggle nuts or 1/4 x 2" lag screws.

Refer to illustrations in "Possible Wall Stud Configurations" in "Locate Wall Stud(s)" section.

No Wall Studs at Corner Holes (Figures 1 & 2)

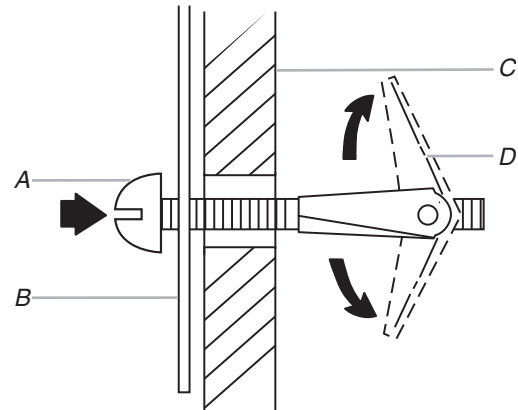
NOTE: The mounting plate must also be secured to the wall on at least 1 wall stud as well as at all 4 corners.

1. With the support tabs of the mounting plate facing forward, insert 1/4-20 x 3" round-head bolts through all 4 corner holes of mounting plate.
2. Start toggle nuts on bolts from the back of the mounting plate. Leave enough space for the toggle nuts to go through the wall and open.



A. 1/4-20 x 3" round-head bolt
B. Mounting plate
C. Spring toggle nut

3. Position mounting plate on the wall, making sure that the top of the mounting plate is aligned with the front edge of the upper cabinet.
4. Push the 4 bolts with toggle nuts through the drywall, and finger tighten the bolts to make sure toggle nuts have opened against drywall.



A. 1/4-20 x 3" round-head bolt
B. Mounting plate
C. Drywall
D. Spring toggle nut

5. Insert lag screw(s) into the holes drilled into wall stud(s) in Step 2 of "Installation for No Wall Studs at Corner Holes" in the "Drill Holes in Rear Wall" section.
6. Check alignment of mounting plate, making sure it is level.
7. Securely tighten all lag screws and bolts.

One Wall Stud at Two Corner Holes (Figure 3)

1. With the support tabs of the mounting plate facing forward, insert 1/4-20 x 3" round-head bolts through the 2 corner holes that fit over the two 3/4" (19 mm) holes drilled in Step 2 of "Installation for One Wall Stud at Two Corner Holes" in the "Drill Holes in Rear Wall" section.
2. Start toggle nuts on the bolts from the back of the mounting plate. Leave enough space for the toggle nut to go through the wall and to open.
3. Position mounting plate on the wall, making sure that the top of the mounting plate is aligned with the front edge of the upper cabinet.
4. Push the 2 bolts with toggle nuts through the drywall, and finger tighten the bolts to make sure toggle nuts have opened against drywall.
5. Insert 2 lag screws into the remaining 2 corner holes.
6. If installing on a second wall stud, insert lag screw(s) into the other hole(s) drilled in Step 2 of "Installation for One Wall Stud at Two Corner Holes" in the "Drill Holes in Rear Wall" section.
7. Check alignment of mounting plate, making sure it is level.
8. Securely tighten all lag screws and bolts.

Wall Studs at All Four Corner Holes (Figure 4)

1. Position mounting plate on the wall, making sure that the top of the mounting plate is aligned with the front edge of the upper cabinet.
2. Insert lag screws into the 4 corner holes.
3. Check alignment of mounting plate, making sure it is level.
4. Securely tighten all lag screws.

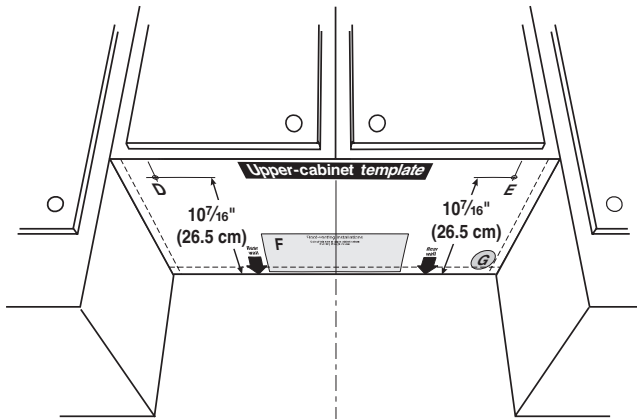
Prepare Upper Cabinet

1. Disconnect power to outlet.
2. Remove all contents from upper cabinet.
3. Place Upper Cabinet Template against the bottom of the upper cabinet, and attach with tape or thumbtacks. Make sure the template centerline aligns with the vertical centerline on the rear wall.

The "rear wall" arrows must be against the rear wall so that the holes cut into the upper cabinet align with the holes in the top of the microwave oven.

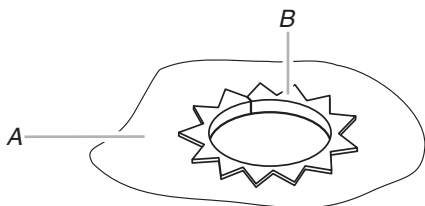
NOTE: If the upper cabinet has a frame around it, trim the template edges so that it fits inside the frame, against the upper cabinet bottom. The template has trim lines to use as guides.

4. Make sure the $10\frac{7}{16}$ " (26.5 cm) dimension from the rear wall to points "D" and "E" on the template is maintained.



5. Cut the $1\frac{1}{2}$ " (3.8 cm) diameter hole at the circular shaded area "G" on the template. This hole is for the power supply cord.

NOTE: If upper cabinet is metal, the supply cord bushing needs to be installed around the supply cord hole, as shown.



A. Metal cabinet
B. Power supply cord bushing

6. Drill $\frac{3}{8}$ " (10 mm) holes at points "D" and "E" on the template. These are for two $\frac{1}{4}$ -20 x 3" round-head bolts and washers used to secure the microwave oven to the upper cabinet.

For Roof Venting Installation Only

7. Cut $\frac{3}{4}$ " (19 mm) hole at one corner of the shaded rectangular area "F" on Upper Cabinet Template.
8. Using a keyhole saw, cut out the rectangular area.

Install the Microwave Oven

⚠ WARNING

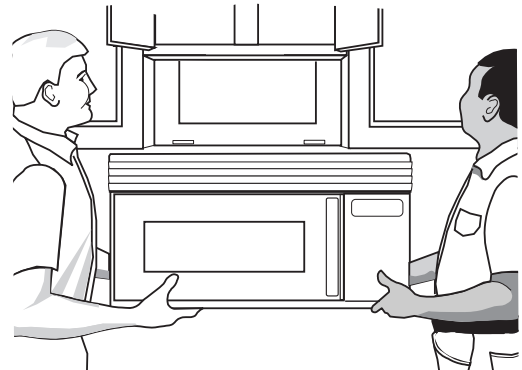
Excessive Weight Hazard

Use two or more people to move and install microwave oven.

Failure to do so can result in back or other injury.

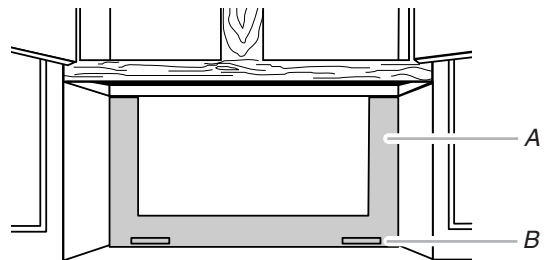
IMPORTANT: The control side of the unit is the heavy side. Handle the microwave oven gently.

1. Place a washer on each $\frac{1}{4}$ -20 x 3" bolt and place inside upper cabinet near the $\frac{3}{8}$ " (10 mm) holes.
2. Make sure the microwave oven door is closed and taped shut.



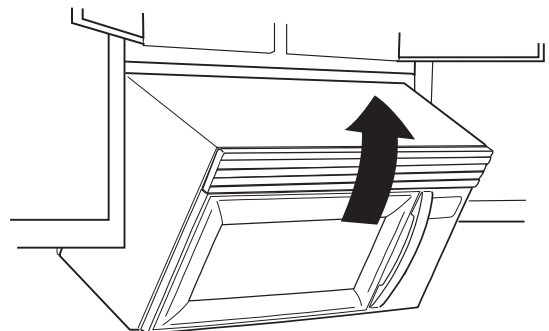
3. Using 2 or more people, lift microwave oven and hang it on support tabs at the bottom of mounting plate.

NOTE: Do not grip or use the door or door handle during installation.



A. Mounting plate
B. Support tabs

4. With front of microwave oven still tilted, thread power supply cord through the power supply cord hole in the bottom of the upper cabinet.



5. Rotate microwave oven up toward upper cabinet.

NOTE: If venting through the wall, make sure the damper assembly fits easily into the vent tube in the wall cutout.

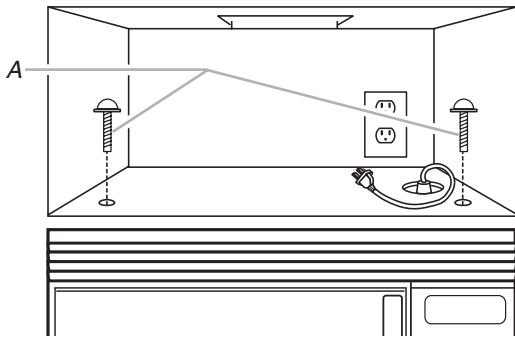
6. Push microwave oven against mounting plate and hold in place.

NOTE: If microwave oven does not need to be adjusted, skip steps 7-9.

7. If adjustment is required, rotate microwave oven downward. Using 2 or more people, lift microwave oven off of mounting plate, and set aside on a protected surface.
8. Loosen mounting plate screws. Adjust mounting plate and retighten screws.
9. Repeat steps 3-6.
10. With the microwave oven centered, and with at least one person holding it in place, insert bolts through upper cabinet into microwave oven. Tighten bolts until there is no gap between upper cabinet and microwave oven.

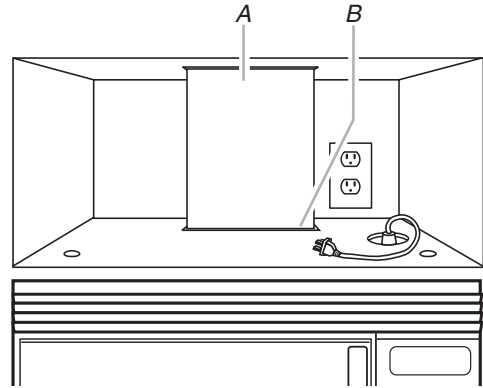
NOTES:

- Some upper cabinets may require bolts longer or shorter than 3" (7.6 cm). Longer or shorter bolts are available at most hardware stores.
- Overtightening bolts may warp the top of the microwave oven. To avoid warping, wood filler blocks may be added. The blocks must be the same thickness as the space between the upper cabinet bottom and the microwave oven.



A. Bolts

2. Connect vent to damper assembly.



A. Vent
B. Damper assembly (under vent)

Complete Installation

1. Refer to the Use and Care Guide for instructions on how to install filters into your model.

! WARNING



Electrical Shock Hazard

Plug into a grounded 3 prong outlet.

Do not remove ground prong.

Do not use an adapter.

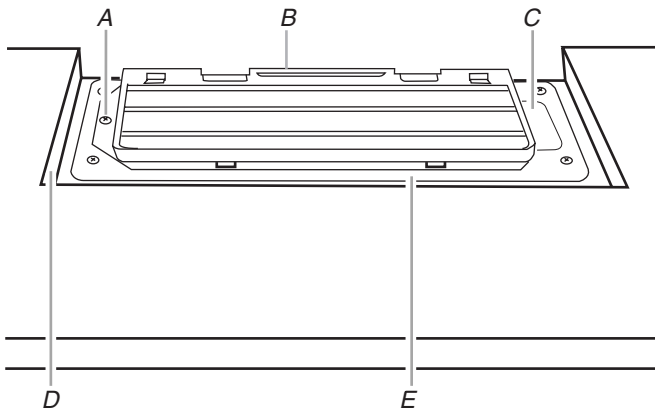
Do not use an extension cord.

Failure to follow these instructions can result in death, fire, or electrical shock.

For Roof Venting Installation Only

1. Insert damper assembly through the cabinet cutout so that the long tab of the damper assembly slides into the raised slot of the damper plate. Then secure with remaining screw removed in Step 1 of "Rotate Air Deflector."

NOTE: The screw cannot be installed if the damper assembly is not positioned as shown.



A. Screw
B. Damper assembly
C. Long tab (inside raised slot)
D. Upper cabinet cutout
E. Damper plate

2. Plug microwave oven into grounded 3 prong outlet.
3. Reconnect power.
4. Check the operation of microwave oven by placing 1 cup (250 mL) of water on the turntable, and programming a cook time of 1 minute at 100% power. Test vent fan and exhaust by operating the vent fan.
5. If the microwave oven does not operate:
 - Check that a household fuse has not blown, or that a circuit breaker has not tripped. Replace the fuse or reset the circuit breaker. If the problem continues, call an electrician.
 - Check that the power supply cord is plugged into a grounded 3 prong outlet.
 - See the Use and Care Guide for troubleshooting information.

Installation is now complete.
Save Installation Instructions for future use.

VENTING DESIGN SPECIFICATIONS

This section is intended for architectural designer and builder/contractor reference only.

NOTES:

- Vent materials needed for installation are not provided with microwave hood.
- We do not recommend using a flexible metal vent.
- To avoid possible product damage, be sure to vent air outside, unless using recirculation installation. Do not vent exhaust air into concealed spaces, such as spaces within walls or ceilings, attics, crawl spaces or garages.

For optimal venting installation, we recommend:

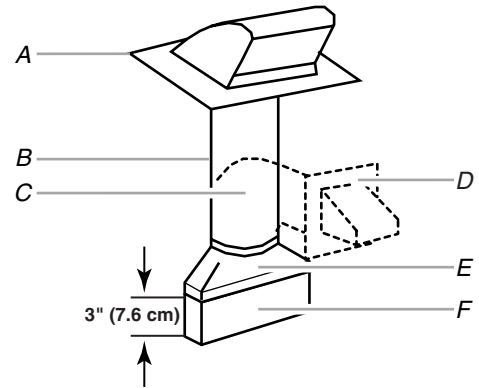
- using roof or wall caps that have back draft dampers
- using a rigid metal vent
- using the most direct route by minimizing the length of the vent and number of elbows to provide efficient performance
- using uniformly sized vents
- using duct tape to seal all joints in the vent system
- using caulking compound to seal exterior wall or roof opening around cap
- not installing 2 elbows together, for optimal hood performance

If venting through the wall, be sure that there is proper clearance within the wall for the damper to open fully.

If venting through the roof, and rectangular to round transition is used, be sure there is at least 3" (7.6 cm) of clearance between the top of the microwave oven and the transition piece. See "Rectangular to Round Transition" illustration.

Rectangular to Round Transition

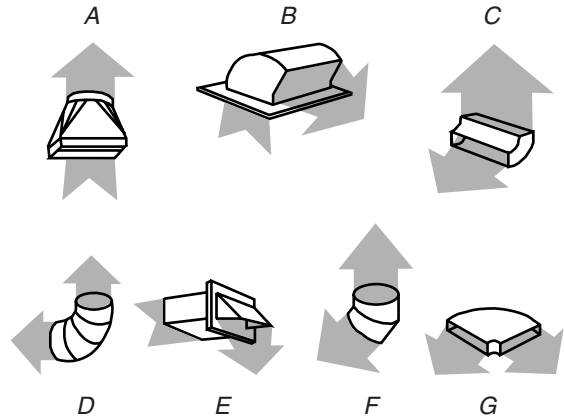
NOTE: The minimum 3" (7.6 cm) clearance must exist between the top of the microwave oven and the rectangular to round transition piece so that the damper can open freely and fully.



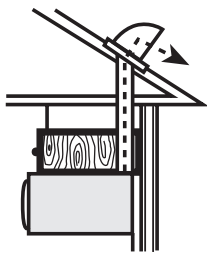
- A. Roof cap
- B. 6" (15.2 cm) min. diameter round vent
- C. Elbow (for wall venting only)
- D. Wall cap
- E. 3 1/4" x 10" to 6" (8.3 x 25.4 cm to 15.2 cm) rectangular to round transition piece
- F. Vent extension piece, at least 3" (7.6 cm) high

Recommended Standard Fittings

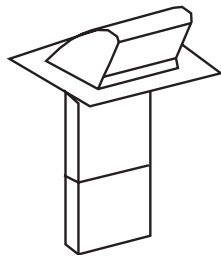
The following length equivalents are for use when figuring vent length. See the examples in "Recommended Vent Length."



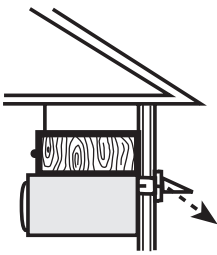
- A. Rectangular to round transition piece: 3 1/4" x 10" to 6" = 5 ft (8.3 x 25.4 cm to 15.2 cm = 1.5 m)
- B. Roof cap: 3 1/4" x 10" = 24 ft (8.3 x 25.4 cm = 7.3 m)
- C. 90° elbow: 3 1/4" x 10" = 25 ft (8.3 x 25.4 cm = 7.6 m)
- D. 90° elbow: 6" = 10 ft (15.2 cm = 3 m)
- E. Wall cap: 3 1/4" x 10" = 40 ft (8.3 x 25.4 cm = 12.2 m)
- F. 45° elbow: 6" = 5 ft (15.2 cm = 1.5 m)
- G. 90° flat elbow: 3 1/4" x 10" = 10 ft (8.3 x 25.4 cm = 3 m)



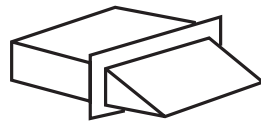
Roof venting



Roof cap



Wall venting



Wall cap

Recommended Vent Length

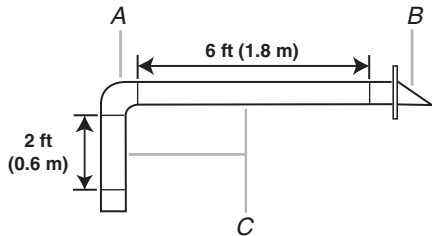
A 3¼" x 10" (8.3 x 25.4 cm) rectangular or 6" (15.2 cm) round vent should be used.

The total length of the vent system including straight vent, elbow(s), transitions and wall or roof caps must not exceed the equivalent of 140 ft (42.7 m) for either type of vent. See "Recommended Standard Fittings" section for equivalent lengths.

For best performance, use no more than three 90° elbows.

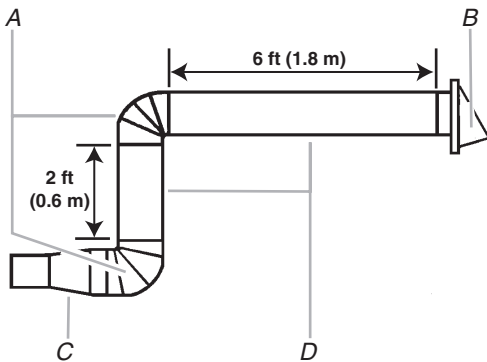
To calculate the length of the system you need, add the equivalent lengths of each vent piece used in the system. See the following examples:

3¼" x 10" (8.3 x 25.4 cm) vent system = 73 ft (22.2 m) total



- A. One 3¼" x 10" (8.3 x 25.4 cm) 90° elbow = 25 ft (7.6 m)
- B. 1 wall cap = 40 ft (12.2 m)
- C. 2 ft (0.6 m) + 6 ft (1.8 m) straight = 8 ft (2.4 m)

6" (15.2 cm) vent system = 73 ft (22.2 m) total



- A. Two 90° elbows = 20 ft (6.1 m)
- B. 1 wall cap = 40 ft (12.2 m)
- C. 1 rectangular to round transition piece = 5 ft (1.5 m)
- D. 2 ft (0.6 m) + 6 ft (1.8 m) straight = 8 ft (2.4 m)

If the existing vent is round, a rectangular to round transition piece must be used. In addition, a rectangular 3" (7.6 cm) extension vent between the damper assembly and rectangular to round transition piece must be installed to keep the damper from sticking.

ASSISTANCE

Call your authorized dealer or service center. When you call, you will need the microwave oven model number and serial number. Both numbers can be found on the model and serial number plate, which is located behind the microwave oven door on the front frame of the microwave oven.

If you need additional assistance, call us at our toll free number listed in the Use and Care Guide, or visit us on the Web.

Replacement Parts

If any of the installation hardware needs to be replaced, call us at our toll free number listed in the Use and Care Guide, and reference the appropriate part number listed here.

Damper Assembly
Part Number 8206556

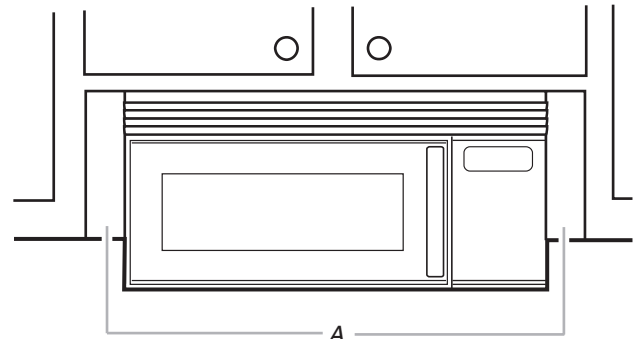
Mounting Plate
Part Number 8206320

Upper Cabinet Template
Part Number 8205928

Mounting Screw Kit (includes parts A-E in "Parts Supplied" section)
Part Number 8205947

Accessories

Filler Panel Kits are available from your dealer to use when installing this microwave oven in a 36" (91.4 cm) or 42" (106.7 cm) wide opening. The filler panels come in pairs. Each panel is 3" (7.6 cm) wide.



A. Filler panels

Filler Panel Kit Number	8171336	White
	8171337	Black
	8171338	Biscuit
	8171339	Stainless Steel
	99403	Almond

See your authorized dealer or service center for details.

SÉCURITÉ DE L'ENSEMBLE FOUR À MICRO-ONDES/HOTTE

Votre sécurité et celle des autres est très importante.

Nous donnons de nombreux messages de sécurité importants dans ce manuel et sur votre appareil ménager. Assurez-vous de toujours lire tous les messages de sécurité et de vous y conformer.



Voici le symbole d'alerte de sécurité.

Ce symbole d'alerte de sécurité vous signale les dangers potentiels de décès et de blessures graves à vous et à d'autres.

Tous les messages de sécurité suivront le symbole d'alerte de sécurité et le mot "DANGER" ou "AVERTISSEMENT". Ces mots signifient :

DANGER

Risque possible de décès ou de blessure grave si vous ne suivez pas immédiatement les instructions.

AVERTISSEMENT

Risque possible de décès ou de blessure grave si vous ne suivez pas les instructions.

Tous les messages de sécurité vous diront quel est le danger potentiel et vous disent comment réduire le risque de blessure et ce qui peut se produire en cas de non-respect des instructions.

EXIGENCES D'INSTALLATION

Outillage et pièces

Outillage nécessaire

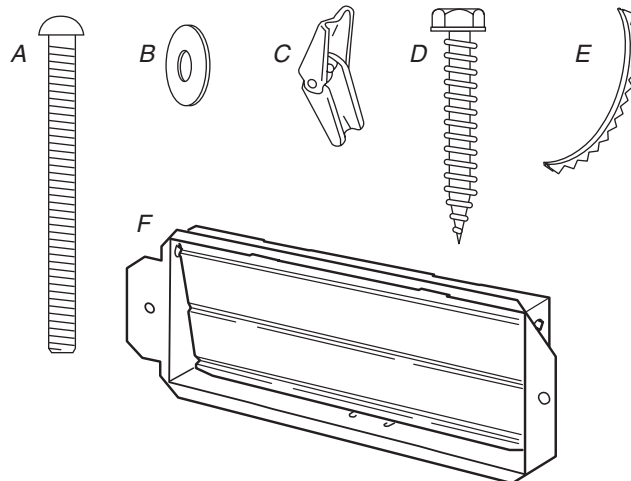
Rassembler les outils et pièces nécessaires avant de commencer l'installation. Lire et suivre les instructions fournies avec les outils mentionnés ici.

- Mètre ruban
- Crayon
- Ruban de masquage ou punaises
- Ciseaux
- Tournevis Phillips n° 2
- Tournevis Phillips n° 3 (pour vis à tête ronde de 1/4-20 x 3")
- Perceuse électrique
- Mèches de 3/16" (5 mm) et 3/8" (10 mm)
- Scie à guichet de 3/4" (19 mm)
- Détecteur magnétique (détection des poteaux du colombage)
- Clé à douille de 7/16" (ou clé mixte), pour vis d'ancrage de 1/4" x 2"
- Scie à trou de 1 1/2" (3,8 cm) de diamètre pour placard de bois ou métallique
- Scie à guichet
- Pistolet à calfeutrage et composé de calfeutrage résistant aux intempéries
- Ruban adhésif pour conduit

Pièces fournies

Pour la commande de pièces, voir la section "Pièces de rechange".

REMARQUE : Les articles de quincaillerie présentés ci-dessous sont destinés à l'utilisation sur un colombage de bois. En présence d'une structure de mur différente, utiliser les organes de fixation appropriés.



- A. Vis à tête ronde de 1/4-20 x 3" (6)
- B. Rondelles (2)
- C. Écrous articulés (4)
- D. Vis d'ancrage 1/4" x 2" (4)
- E. Garniture pour trou de passage du cordon d'alimentation (1)
- F. Module de clapet anti-reflux (pour décharge à travers le mur ou le toit)

Composants non illustrés :

Gabarit pour placard mural
Plaque de montage (fixation à l'arrière du four à micro-ondes)
Filtres à graisse en aluminium
Filtres à charbon (selon le modèle, les filtres à charbon peuvent ne pas être inclus. Voir le Guide d'utilisation et d'entretien.)

REMARQUE : Selon le modèle de l'appareil, le filtre à graisse en aluminium et le filtre à charbon peuvent être combinés.

Matériaux nécessaires

- Composants standard pour décharge à travers le mur ou à travers le toit. Voir la section "Spécifications/conception du circuit d'évacuation".

Exigences d'emplacement

Inspecter l'espace où le four à micro-ondes sera installé. L'emplacement d'installation doit disposer de :

- Dimensions minimales à respecter lors de l'installation. Voir l'illustration "Dimensions à respecter lors de l'installation".
- Au moins un poteau de colombage en bois 2" x 4" (50,8 x 101,6 mm), et parement de plâtre ou panneau de gypse d'épaisseur 3/8" (9,5 mm) ou plus, dans l'ouverture du placard.
- Capacité de support de charge de 150 lb (68 kg), ceci incluant le four à micro-ondes et les articles placés à l'intérieur du four à micro-ondes et du placard mural.
- Prise de courant électrique reliée à la terre à l'intérieur du placard mural. Voir la section "Spécifications électriques".

REMARQUES :

- Dans le cas de l'installation du four à micro-ondes à proximité d'une paroi latérale sur le côté gauche, veiller à laisser un espace libre de 6" (15,2 cm) ou plus entre le mur et le four à micro-ondes, pour permettre la manœuvre d'ouverture complète de la porte.
- Les matériaux de certains placards et certains matériaux de construction ne sont pas conçus pour résister à la chaleur émise par le four à micro-ondes lors des opérations de cuisson. Consulter le constructeur de la maison ou le fabricant des placards pour déterminer si les matériaux utilisés pourraient subir un changement de couleur, une déstratification ou d'autres dommages.

Exigences spéciales

Pour une installation avec décharge murale seulement :

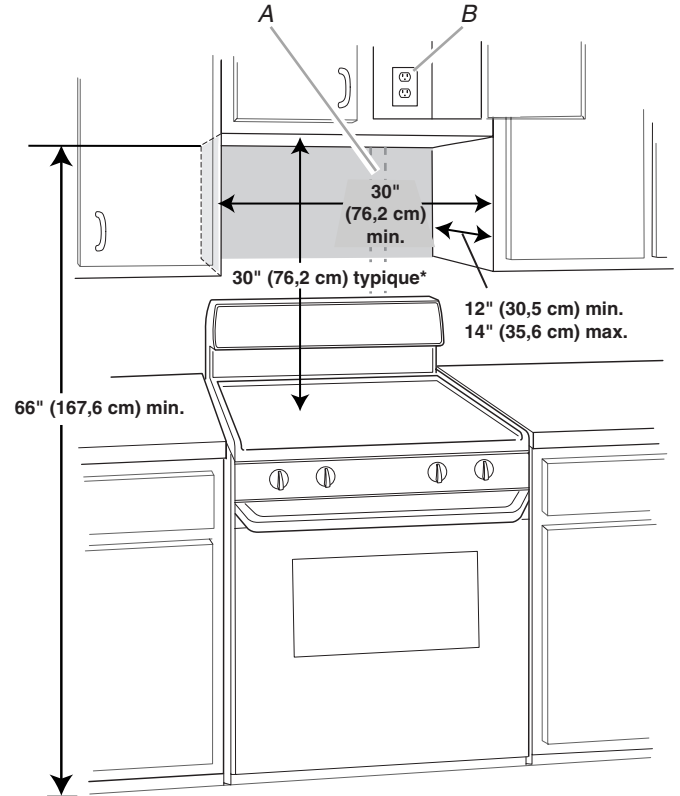
- L'ouverture découpée doit être exempte d'obstruction pour l'ajustement adéquat du conduit d'évacuation, et pour que le clapet anti-reflux puisse manœuvrer complètement et librement.

Pour une installation avec décharge à l'extérieur à travers le toit seulement :

- S'il est nécessaire d'utiliser un raccord de transition, on doit disposer d'un espace libre de 3" (7,6 cm) au-dessus du four à micro-ondes pour que le clapet anti-reflux puisse manœuvrer complètement et librement. Voir l'illustration "Raccord de transition rectangulaire/ronde" à la section "Spécifications/conception du circuit d'évacuation".

Dimensions à respecter lors de l'installation

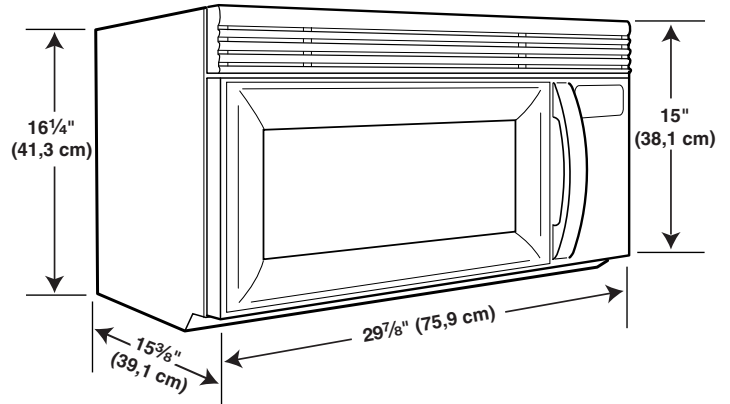
REMARQUE : La prise de courant à 3 alvéoles reliée à la terre doit être située à l'intérieur du placard mural. Voir la section "Spécifications électriques".



A. Poteau du colombage mural de 2" x 4"
B. Prise à 3 alvéoles reliée à la terre

*30" (76,2 cm) est typique pour une hauteur d'installation de 66" (167,6 cm). Les dimensions exactes peuvent varier en fonction du type de cuisinière/table de cuisson di-dessous.

Dimensions du produit



Spécifications électriques

⚠ AVERTISSEMENT



Risque de choc électrique

Brancher sur une prise à 3 alvéoles reliée à la terre.

Ne pas enlever la broche de liaison à la terre.

Ne pas utiliser un adaptateur.

Ne pas utiliser un câble de rallonge.

Le non-respect de ces instructions peut causer un décès, un incendie ou un choc électrique.

Observer les dispositions de tous les codes et règlements en vigueur.

Nécessaire :

- Une alimentation électrique de 120 volts, 60 Hz, CA seulement, 15 ou 20 ampères, protégée par fusibles ou disjoncteur.

Recommandé :

- Un fusible temporisé ou un disjoncteur temporisé.
- Un circuit distinct exclusif à ce four à micro-ondes.

INSTRUCTIONS DE MISE À LA TERRE

- **Pour tout appareil ménager connecté par un cordon de courant électrique :**

Il faut que le four à micro-ondes soit relié à la terre. En cas de court-circuit électrique, la liaison à la terre réduit le risque de choc électrique car le courant électrique dispose d'un itinéraire direct d'acheminement à la terre. Le four à micro-ondes est doté d'un cordon de courant électrique qui comporte un fil de liaison à la terre, avec broche de liaison à la terre. On doit brancher la fiche sur une prise de courant convenablement installée et reliée à la terre.

AVERTISSEMENT : L'utilisation incorrecte du dispositif de liaison à la terre peut susciter un risque de choc électrique. L'utilisateur qui ne comprend pas bien les instructions de liaison à la terre, ou qui n'est pas certain que le four à micro-ondes soit convenablement relié à la terre, devrait consulter un électricien qualifié.

Ne pas utiliser un câble de rallonge. Si le cordon de courant électrique est trop court, demander à un électricien qualifié d'installer une prise de courant à proximité du four à micro-ondes.

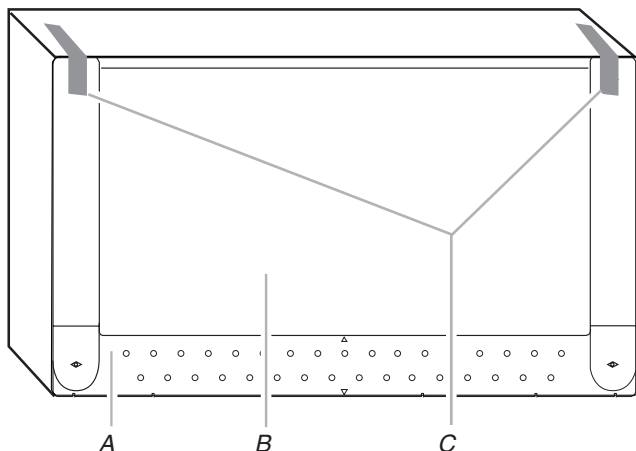
CONSERVEZ CES INSTRUCTIONS

INSTRUCTIONS D'INSTALLATION

Dépose de la plaque de montage

REMARQUE : Placer un matériau de protection sur la surface de travail pour éviter de l'endommager.

1. Retirer de la cavité du four à micro-ondes tous les articles qui peuvent s'y trouver.
2. Enlever la plaque de montage : enlever les morceaux de ruban adhésif fixant la plaque de montage sur la face arrière du four à micro-ondes et mettre la plaque de montage de côté.



A. Plaque de montage

B. Face arrière du four à micro-ondes

C. Ruban adhésif (en plusieurs endroits)

3. Utiliser du ruban adhésif pour immobiliser la porte fermée du four à micro-ondes, pour qu'elle ne puisse pas s'ouvrir durant les manutentions du four.

REMARQUE : Ne pas prendre prise sur la porte ou la poignée de la porte durant les manutentions du four à micro-ondes.

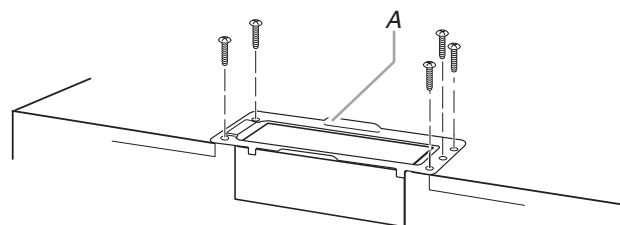
Réorientation du déflecteur d'air

Le four à micro-ondes a été configuré à l'usine pour une installation avec recyclage, sans décharge à l'extérieur. Pour la décharge de l'air aspiré à travers le mur ou à travers le toit, on doit modifier le système de ventilation du four.

REMARQUE : Si le produit est destiné à être utilisé sans décharge à l'extérieur (avec recyclage de l'air), ne pas tenir compte de cette section. Conserver le module du clapet pour le cas où une autre méthode d'évacuation serait utilisée ultérieurement ou dans le cas où le four à micro-ondes serait réinstallé ultérieurement en un autre endroit, avec décharge à l'extérieur à travers le mur ou à travers le toit.

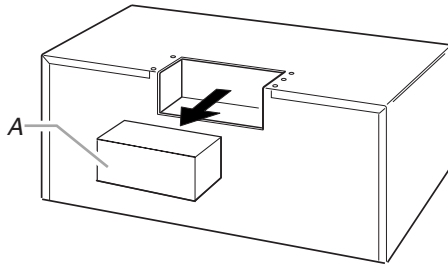
Pour une installation avec décharge murale seulement

1. Ôter les 5 vis fixant la plaque de support du clapet à la partie supérieure de l'extérieur du four à micro-ondes; soulever ensuite la plaque de support du clapet pour l'enlever.



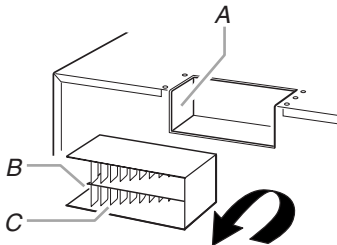
A. Plaque de support du clapet

2. Conserver ensemble la plaque de support du clapet et les vis.
3. Séparer le déflecteur du four à micro-ondes (faire glisser).



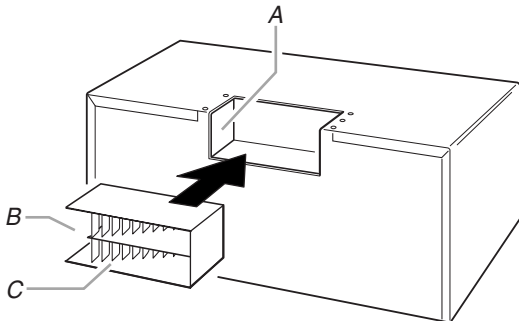
A. Déflecteur d'air

4. Faire pivoter le déflecteur d'air de l'avant vers l'arrière, pour que les pales du déflecteur soient orientées vers l'arrière du four à micro-ondes, et pour que l'orifice de sortie (extrémité ouverte) du déflecteur d'air soit aligné avec l'orifice de décharge du four à micro-ondes.



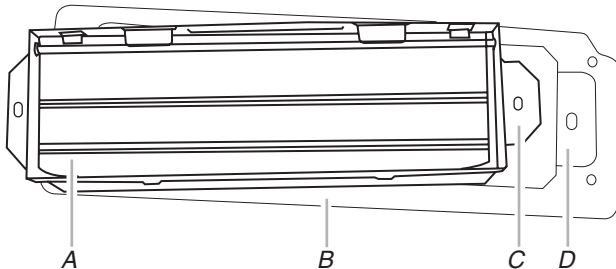
A. Orifice de décharge du four à micro-ondes
B. Orifice de sortie du déflecteur d'air (extrémité ouverte)
C. Pales de déflection

5. Insérer le déflecteur d'air à l'arrière du four à micro-ondes, comme sur l'illustration; veiller à ce que l'orifice de sortie (extrémité ouverte) soit aligné avec l'orifice de décharge du four à micro-ondes.



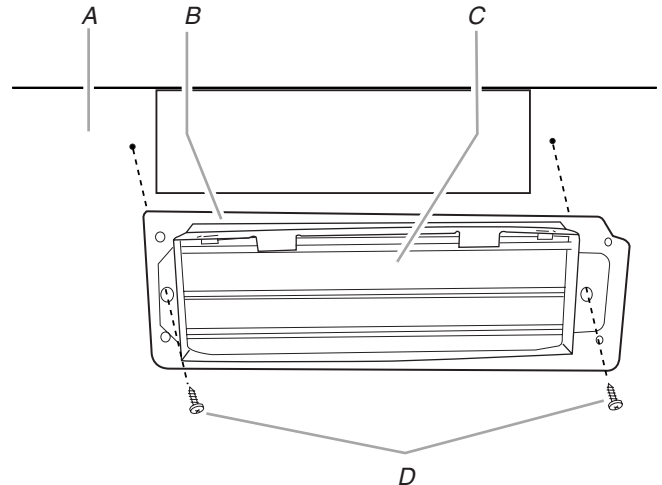
A. Orifice de décharge du four à micro-ondes
B. Orifice de sortie du déflecteur d'air (extrémité ouverte)
C. Pales de déflection

6. Fixer le module de clapet anti-reflux sur la plaque de support en faisant glisser la patte longue du module sous la fente relevée de la plaque de support - voir l'illustration.



A. Module de clapet anti-reflux
B. Plaque de support du clapet
C. Patte longue
D. Fente relevée

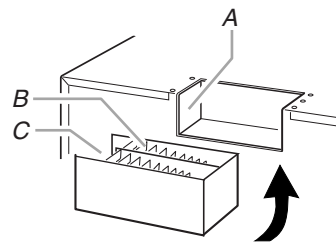
7. Fixer la plaque de support et le module de clapet à l'arrière du four à micro-ondes, tel qu'illustré, et immobiliser les composants avec 2 des vis retirées à l'étape 1.



A. Face arrière du four à micro-ondes
B. Plaque de support du clapet
C. Module de clapet anti-reflux
D. Vis

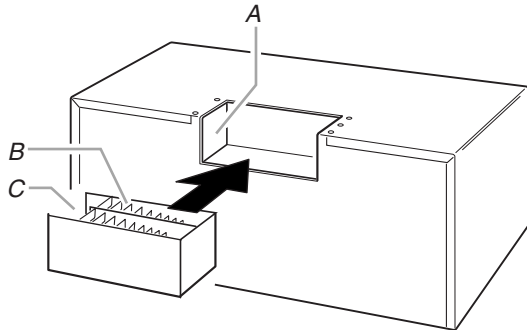
Pour une installation avec décharge à l'extérieur à travers le toit seulement

1. Répéter l'étape 1 de "Pour une installation avec décharge murale seulement".
2. Répéter l'étape 2 de "Pour une installation avec décharge murale seulement".
3. Répéter l'étape 3 de "Pour une installation avec décharge murale seulement".
4. Faire pivoter le déflecteur d'air, pour que les pales du déflecteur soient orientées vers le sommet du four à micro-ondes, et pour que l'orifice de sortie (extrémité ouverte) du déflecteur d'air soit aligné avec l'orifice de décharge du four à micro-ondes.



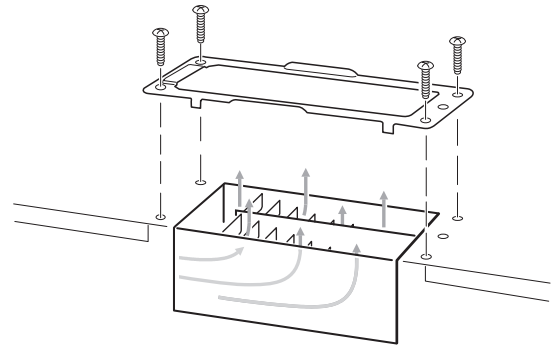
A. Orifice de décharge du four à micro-ondes
B. Pales de déflection
C. Orifice de sortie du déflecteur d'air (extrémité ouverte)

5. Insérer le déflecteur d'air à l'arrière du four à micro-ondes, comme sur l'illustration; veiller à ce que l'orifice de sortie (extrémité ouverte) soit aligné avec l'orifice de décharge du four à micro-ondes.



A. Orifice de décharge du four à micro-ondes
 B. Pales de déflexion
 C. Orifice de sortie du déflecteur d'air (extrémité ouverte)

6. Réinstaller la plaque de support du clapet avec les 4 vis. Conserver la cinquième vis pour utilisation ultérieure.



Identifier la position du/des poteaux du colombage mural

REMARQUE : S'il n'y a aucun poteau du colombage dans la zone délimitée par l'ouverture dans le placard mural, ne pas installer le four à micro-ondes.

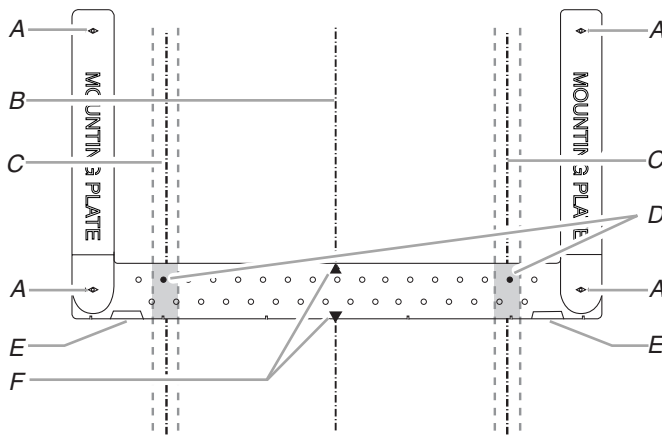
Voir les illustrations à la section "Configurations possibles du colombage mural".

1. Utiliser un détecteur magnétique de clou/vis pour localiser dans l'ouverture les rives des poteaux du colombage mural.
2. Marquer la position du centre de chaque poteau du colombage, et tracer l'axe de chaque poteau à l'aide d'un fil à plomb. Voir les illustrations à la section "Configurations possibles du colombage mural".

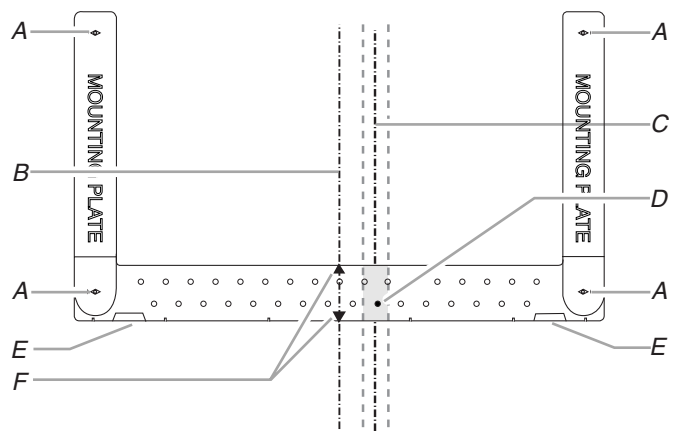
Configurations possibles du colombage mural

Les illustrations ci-dessous présentent des exemples de configurations préférentielles d'installation avec la plaque de montage.

Aucun poteau du colombage à la position des trous des angles
 Figure 1

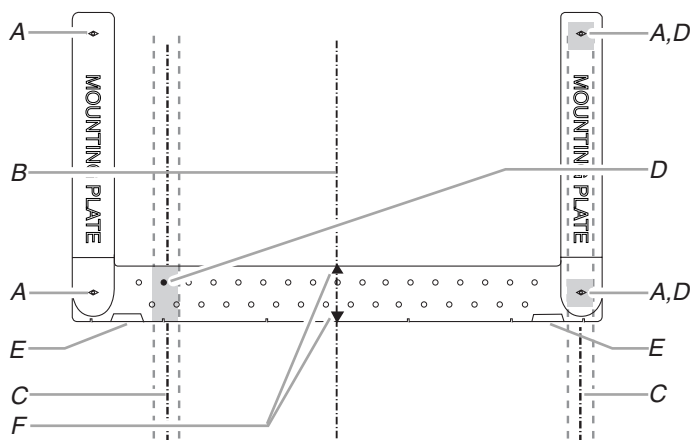


Aucun poteau du colombage à la position des trous des angles
 Figure 2

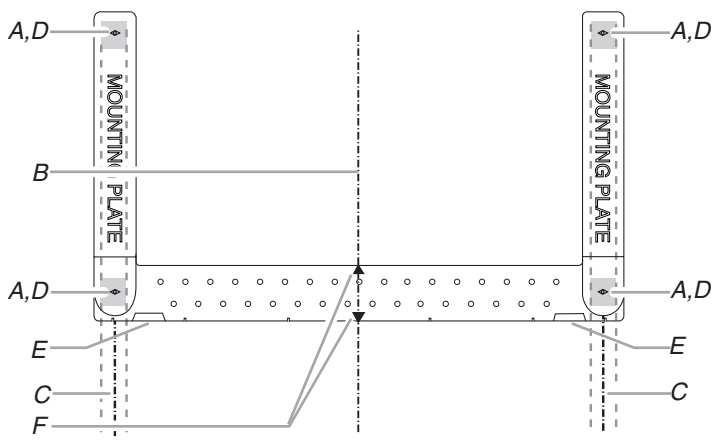


REMARQUE : Si le poteau mural se trouve à moins de 6" (15,2 cm) de l'axe central vertical (voir la section "Tracé sur le mur arrière"), seule une installation sans décharge à l'extérieur (recyclage) ou une installation avec décharge par le toit peut être réalisée.

Deux trous des angles face à un poteau du colombage mural
Figure 3



Quatre trous des angles face à un poteau du colombage mural
Figure 4

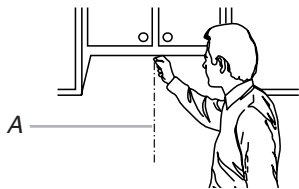


- A. Trous des angles (sur la plaque de montage)
- B. Axe vertical central de l'ouverture dans le placard
- C. Axe central de poteau du colombage
- D. Trous pour vis d'ancrage
- E. Pattes de support
- F. Repères centraux sur la plaque de montage

Tracé sur le mur arrière

Le four à micro-ondes doit être fixé sur au moins un poteau du colombage mural, et de préférence sur 2 poteaux; on utilise pour cela au moins 1 vis d'ancrage, et de préférence 2 vis ou plus.

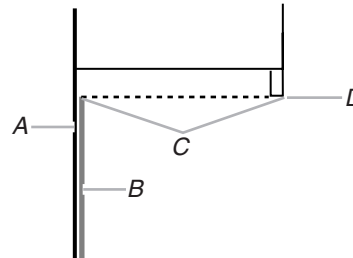
1. Utiliser un mètre-ruban; déterminer et marquer clairement la position de l'axe central vertical de l'ouverture.



A. Axe central

2. Alors que les deux pattes de support sont orientées vers l'avant (voir les illustrations à la section "Configurations possibles du colombage mural" à la section "Identifier la position du/des poteaux du colombage mural"), aligner les repères centraux sur la plaque de montage avec l'axe central sur le mur; veiller au bon aplomb, et veiller à ce que le sommet de la plaque de montage soit en contact contre le bord inférieur du placard mural.

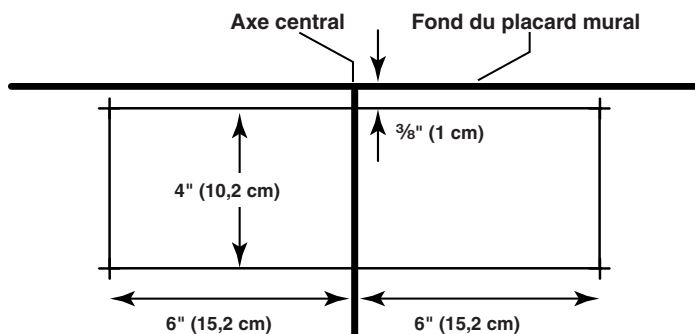
REMARQUE : Si la rive avant du placard mural est plus basse que la rive arrière, abaisser la plaque de montage de manière à ce que le sommet de la plaque de montage soit au même niveau que la rive avant du placard.



- A. Mur arrière
- B. Plaque de montage
- C. Le sommet de la plaque de montage doit être aligné avec la rive avant du placard.
- D. Rive avant du placard mural

3. Maintenir la plaque de montage en place et marquer la position des 4 trous des angles.
4. Trouver l'axe central des poteaux du colombage marqués à l'étape 2 de la section "Identifier la position du/des poteaux du colombage mural", et marquer la position d'au moins 1, et de préférence 2 ou plus, trou(s) à travers la plaque de montage - le plus près possible de l'axe central de chaque poteau du colombage. Voir les figures 1, 2 et/ou 3 de la section "Configurations possibles du colombage mural" à la section "Identifier la position du/des poteaux du colombage mural". Les trous à utiliser de préférence sont ceux qui sont marqués en noir dans les zones grisées.
5. Conserver la plaque de montage à part.

Pour une installation avec décharge murale seulement



6. Marquer un point sur l'axe central à $3/8$ " (1 cm) au-dessous de la rive inférieure du placard mural.
7. Utiliser un mètre-ruban; marquer un point à 6" (15,2 cm) de chaque côté de l'axe central.
8. Marquer un point à 4" (10,2 cm) au-dessous de la marque tracée à l'étape 6.
9. Utiliser une règle; tracer 2 lignes horizontales entre les marques tracées aux étapes 6 et 8.
10. Tracer 2 lignes verticales à partir des marques faites à l'étape 7, pour obtenir un rectangle complet de 12" x 4" (30,5 x 10,2 cm). Ce rectangle délimite la zone à découper pour le passage du conduit d'évacuation.
11. Découper un trou de $3/4$ " (19 mm) dans un coin de la zone à découper.
12. À l'aide d'une scie à guichet, découper la zone à découper pour le passage du conduit d'évacuation.

Perçage de trous dans le mur arrière

En plus de la fixation sur au moins 1 poteau du colombage, on doit également fixer la plaque de montage sur le mur au niveau des 4 trous des angles. Si la position des trous ne coïncide pas avec des poteaux du colombage, utiliser quatre vis à tête ronde de $1/4$ -20 x 3" avec écrou articulé; s'il y a 2 trous en coïncidence avec les poteaux de colombage, utiliser 2 vis d'ancrage, et 2 vis à tête ronde de $1/4$ -20 x 3" avec écrou articulé; s'il y a 4 trous en coïncidence avec les poteaux de colombage, utiliser 4 vis d'ancrage. On présente ci-dessous 3 configurations d'installation.

Aucun trou des angles en coïncidence avec les poteaux du colombage (Figures 1 et 2)

1. Percer des trous de $3/4$ " (19 mm) à travers le mur à l'emplacement des 4 trous des angles marqués à l'étape 3 de la section "Tracé sur le mur arrière".
2. Percer des trous de $3/16$ " (5 mm) dans les poteaux de colombage à l'emplacement des trous marqués à l'étape 4 de la section "Tracé sur le mur arrière". Voir les figures 1 et 2 de la section "Configurations possibles du colombage mural" à la section "Identifier la position du/des poteaux du colombage mural".

Deux trous des angles en coïncidence avec un poteau du colombage (Figure 3)

1. Percer des trous de $3/16$ " (5 mm) à travers le poteau mural à l'emplacement des 2 trous des angles marqués à l'étape 3 de la section "Tracé sur le mur arrière".
2. S'il est possible de fixer l'appareil sur un second poteau du colombage mural, percer des trous de $3/16$ " (5 mm) dans le poteau du colombage à l'emplacement des trous marqués à l'étape 4 de la section "Tracé sur le mur arrière". Voir la figure 3 dans "Configurations possibles du colombage mural" à la section "Identifier la position du/des poteaux du colombage mural".
3. Percer des trous de $3/4$ " (19 mm) à travers le mur, face aux 2 autres trous des angles.

Quatre trous des angles en coïncidence avec les poteaux du colombage (Figure 4)

1. Percer des trous de $3/16$ " (5 mm) à travers les poteaux muraux à l'emplacement des 4 trous des angles marqués à l'étape 3 de la section "Tracé sur le mur arrière".

Fixation de la plaque de montage sur le mur

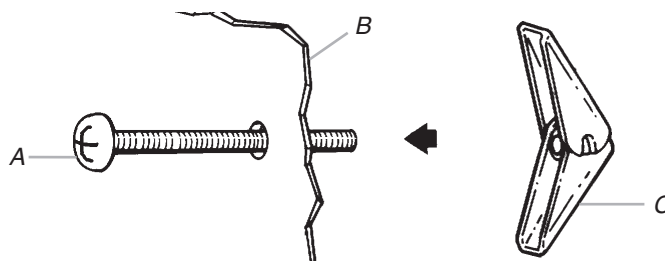
REMARQUE : Fixer la plaque de montage sur le mur; utiliser les organes de fixation appropriés, dans les 4 trous des angles percés dans les poteaux du colombage et/ou à travers le panneau de gypse - vis à tête ronde de $1/4$ -20 x 3" avec écrou articulé ou vis d'ancrage $1/4$ x 2".

Voir les illustrations de la section "Configurations possibles du colombage mural" à la section "Identifier la position du/des poteaux du colombage mural".

Aucun trou des angles en coïncidence avec les poteaux du colombage (Figures 1 et 2)

REMARQUE : La plaque de montage doit être également fixée sur le mur sur au moins 1 poteau de colombage, en plus des 4 angles.

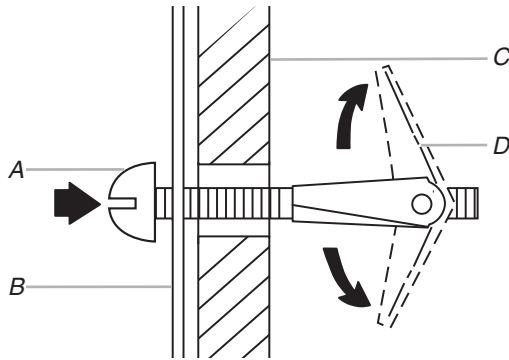
1. Alors que les pattes de support de la plaque de montage sont orientées vers l'avant, insérer des vis à tête ronde de $1/4$ -20 x 3" dans les 4 trous des angles de la plaque de montage.
2. Engager un écrou articulé sur chaque vis par l'arrière de la plaque de montage. Veiller à disposer de suffisamment d'espace pour que l'écrou articulé puisse traverser le panneau de gypse et se déployer à l'intérieur de la cavité murale.



A. Vis à tête ronde de $1/4$ -20 x 3"
B. Plaque de montage
C. Écrou articulé

3. Positionner la plaque de montage sur le mur; veiller à ce que le sommet de la plaque de montage soit aligné avec la rive avant du placard mural.

4. Pousser les 4 vis avec écrou articulé à travers le panneau de gypse; visser les vis à la main pour vérifier que chaque écrou articulé s'est déployé et prend appui contre le panneau de gypse.



A. Vis à tête ronde de 1/4-20 x 3"
 B. Plaque de montage
 C. Panneau de gypse
 D. Écrou articulé

5. Insérer les vis d'ancrage dans les trous percés dans les poteaux de colombage à l'étape 2 du paragraphe "Aucun trou des angles en coïncidence avec les poteaux du colombage" de la section "Perçage des trous dans le mur arrière".
6. Contrôler l'alignement de la plaque de montage; veiller à établir un bon aplomb.
7. Serrer solidement les vis d'ancrage et les boulons.

Deux trous des angles en coïncidence avec un poteau du colombage (Figure 3)

1. Alors que les pattes de support de la plaque de montage sont orientées vers l'avant, insérer des vis à tête ronde de 1/4-20 x 3" dans les 2 trous des angles coïncidant avec les 2 trous de 3/4" (19 mm) percés à l'étape 2 du paragraphe "Deux trous des angles en coïncidence avec un poteau du colombage" de la section "Perçage des trous dans le mur arrière".
2. Engager un écrou articulé sur chaque vis par l'arrière de la plaque de montage. Veiller à disposer de suffisamment d'espace pour que l'écrou articulé puisse traverser le panneau de gypse et se déployer à l'intérieur de la cavité murale.
3. Positionner la plaque de montage sur le mur; veiller à ce que le sommet de la plaque de montage soit aligné avec la rive avant du placard mural.
4. Pousser les 2 vis avec écrou articulé à travers le panneau de gypse; visser les vis à la main pour vérifier que chaque écrou articulé s'est déployé et prend appui contre le panneau de gypse.
5. Insérer 2 vis d'ancrage dans les 2 autres trous des angles.
6. S'il est possible de fixer également l'appareil sur un second poteau du colombage mural, insérer des vis d'ancrage dans les autres trous percés à l'étape 2 du paragraphe "Deux trous des angles en coïncidence avec un poteau du colombage" de la section "Perçage des trous dans le mur arrière".
7. Contrôler l'alignement de la plaque de montage; veiller à établir un bon aplomb.
8. Serrer solidement les vis d'ancrage et les boulons.

Quatre trous des angles en coïncidence avec les poteaux du colombage (Figure 4)

1. Positionner la plaque de montage sur le mur; veiller à ce que le sommet de la plaque de montage soit aligné avec la rive avant du placard mural.
2. Insérer 4 vis d'ancrage dans les 4 trous des angles.
3. Contrôler l'alignement de la plaque de montage; veiller à établir un bon aplomb.
4. Serrer solidement les vis d'ancrage.

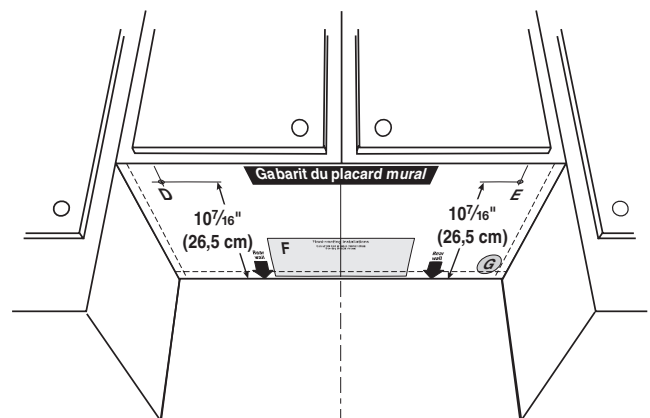
Préparation du placard mural

1. Déconnecter la source de courant électrique.
2. Retirer tout le contenu du placard mural.
3. Placer le gabarit "placard mural" contre le fond du placard mural, et le fixer avec du ruban adhésif ou des punaises. Veiller à aligner l'axe central du gabarit avec l'axe vertical central tracé sur le mur arrière.

Les flèches "rear wall/mur arrière" doivent être contre le mur arrière, pour qu'on puisse obtenir l'alignement des trous découpés dans le placard mural avec les trous situés au sommet du four à micro-ondes.

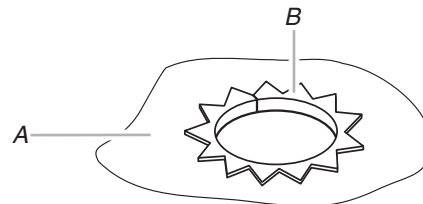
REMARQUE : Si le placard mural comporte un cadre périmétrique, tailler les bords du gabarit de telle manière qu'il puisse s'ajuster dans le cadre, contre le fond du placard mural. Le gabarit comporte des lignes de découpe qu'on peut utiliser comme guides.

4. Veiller à établir la dimension de 10⁷/₁₆" (26,5 cm) entre le mur arrière et les points "D" et "E" sur le gabarit.



5. Percer le trou de diamètre 1¹/₂" (3,8 cm) dans la zone circulaire grisée "G" du gabarit. C'est le trou utilisé pour le passage du cordon d'alimentation.

REMARQUE : Si le placard mural est métallique, la garniture de cordon d'alimentation nécessite d'être installée autour du trou de passage du cordon d'alimentation – voir l'illustration.



A. Placard métallique
 B. Garniture du trou de passage du cordon d'alimentation

6. Percer des trous de 3/8" (10 mm) aux points "D" et "E" du gabarit. Ces trous sont utilisés pour le passage de deux vis à tête ronde 1/4-20 x 3" avec rondelle, utilisées pour la fixation du four à micro-ondes contre le placard mural.

Pour une installation avec décharge à l'extérieur à travers le toit seulement

7. Découper un trou de 3/4" (19 mm) dans un coin de la zone ombrée rectangulaire "F" sur le gabarit "Placard mural".
8. À l'aide d'une scie à guichet, découper la zone rectangulaire.

Installation du four à micro-ondes

AVERTISSEMENT

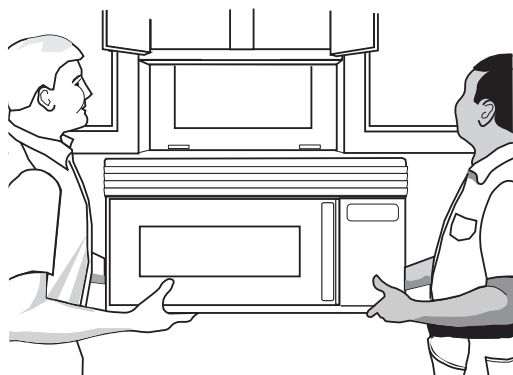
Risque du poids excessif

Utiliser deux ou plus de personnes pour déplacer et installer le four à micro-ondes.

Le non-respect de cette instruction peut causer une blessure au dos ou d'autre blessure.

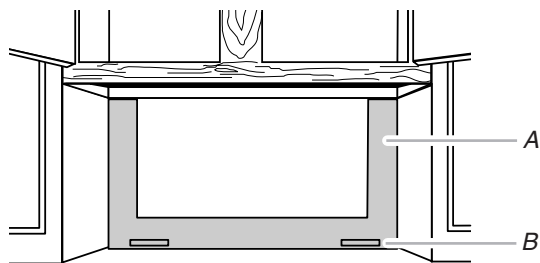
IMPORTANT : Le côté de l'appareil où se trouve la commande est le plus lourd. Manipuler le four à micro-ondes délicatement.

1. Placer une rondelle sur chaque vis 1/4-20 x 3"; placer les vis à l'intérieur du placard mural, à proximité des trous de 3/8" (10 mm).
2. Vérifier que la porte du four à micro-ondes est fermée, et qu'elle est immobilisée par du ruban adhésif.



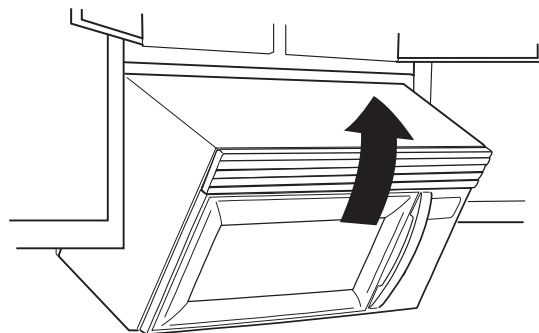
3. Faire intervenir 2 personnes ou plus pour soulever le four à micro-ondes et le suspendre aux pattes de support situées en bas de la plaque de montage.

REMARQUE : Durant l'installation, ne pas prendre prise sur la porte ou la poignée de la porte.



A. Plaque de montage
B. Pattes de support

4. Alors que l'avant du four à micro-ondes est encore incliné, enfiler le cordon d'alimentation à travers le trou de passage percé dans le fond du placard mural.



5. Redresser le four à micro-ondes vers le placard mural.

REMARQUE : En cas d'évacuation à travers le mur, veiller à ce que le clapet anti-reflux s'insère facilement dans le conduit dans l'ouverture du mur.

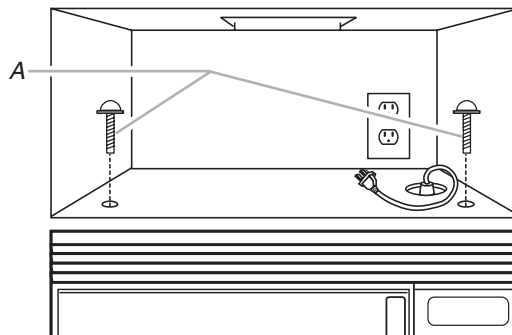
6. Pousser le four à micro-ondes contre la plaque de montage; maintenir le four en place.

REMARQUE : Si aucun autre ajustement de la position du four à micro-ondes n'est nécessaire, omettre les étapes 7-9.

7. Si un ajustement est nécessaire, faire pivoter le four à micro-ondes vers le bas. Faire intervenir 2 personnes ou plus pour soulever le four à micro-ondes et le dégager de la plaque de montage; placer le four à part sur une surface protégée.
8. Desserrer les vis de la plaque de montage. Ajuster la plaque de montage et resserrer les vis.
9. Répéter les étapes 3-6.
10. Alors que le four à micro-ondes est centré, et tandis qu'au moins une personne le maintient en place, insérer les vis à travers le placard mural et dans le four à micro-ondes. Serrer les vis jusqu'à ce qu'il ne reste aucun espace entre le placard mural et le four à micro-ondes.

REMARQUES :

- Certaines configurations du placard mural nécessitent l'emploi de vis plus longues ou plus courtes que 3" (7,6 cm). Acheter les vis nécessaires plus longues ou plus courtes dans une quincaillerie locale.
- Un serrage excessif des vis peut provoquer une déformation (gauchissement) du sommet du four à micro-ondes. Pour éviter un gauchissement, on peut ajouter des cales d'appui en bois. L'épaisseur des cales doit correspondre à l'épaisseur de l'espace résiduel entre le fond du placard mural et le four à micro-ondes.

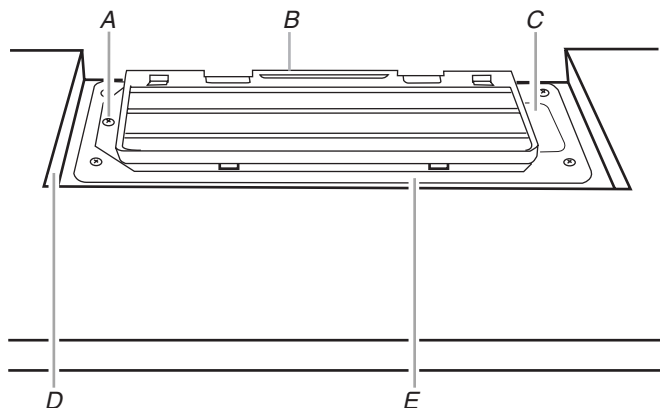


A. Vis

Pour une installation avec décharge à l'extérieur à travers le toit seulement

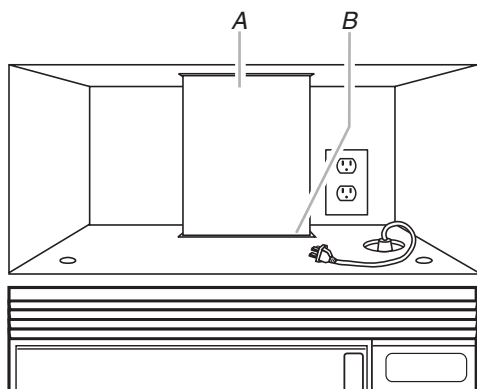
1. Insérer le module de clapet anti-reflux à travers l'ouverture découpée dans le placard, de telle manière que la patte longue du module puisse glisser dans la fente relevée de la plaque de support du clapet. Immobiliser alors le clapet avec la vis restante retirée à l'étape 1 de la section "Réorientation du déflecteur d'air".

REMARQUE : Il n'est pas possible d'installer la vis si le module du clapet anti-reflux n'est pas positionné comme on le voit sur l'illustration.



- A. Vis
- B. Module du clapet anti-reflux
- C. Patte longue (à l'intérieur de la fente relevée)
- D. Ouverture découpée dans le placard mural
- E. Plaque de support du clapet

2. Connecter le conduit d'évacuation au module du clapet anti-reflux.



- A. Conduit d'évacuation
- B. Module du clapet anti-reflux (sous le conduit d'évacuation)

Achever l'installation

1. Pour l'installation des filtres sur l'appareil, voir le Guide d'utilisation et d'entretien.

AVERTISSEMENT



Risque de choc électrique

Brancher sur une prise à 3 alvéoles reliée à la terre.

Ne pas enlever la broche de liaison à la terre.

Ne pas utiliser un adaptateur.

Ne pas utiliser un câble de rallonge.

Le non-respect de ces instructions peut causer un décès, un incendie ou un choc électrique.

2. Brancher le four à micro-ondes sur une prise à trois alvéoles reliée à la terre.
3. Reconnecter la source de courant électrique.
4. Contrôler le fonctionnement du four à micro-ondes : placer sur le plateau rotatif un récipient contenant 250 mL d'eau, et programmer une période de chauffage de 1 minute à la puissance maximale (100 %). Faire fonctionner le ventilateur d'extraction pour tester son fonctionnement.
5. Si le four à micro-ondes ne fonctionne pas :
 - Déterminer si un fusible est grillé ou si un disjoncteur s'est déclenché. Remplacer le fusible ou réenclencher le disjoncteur. Si le problème persiste, appeler un électricien.
 - Vérifier que le cordon d'alimentation est correctement branché sur une prise de courant à 3 alvéoles reliée à la terre.
 - Pour l'information relative au dépannage, consulter le Guide d'utilisation et d'entretien.

L'installation est maintenant terminée.

Conserver les instructions d'installation pour une éventuelle réutilisation future.

SPÉCIFICATIONS/CONCEPTION DU CIRCUIT D'ÉVACUATION

Cette section présente de l'information de référence uniquement, à l'intention des architectes/concepteurs et constructeurs.

REMARQUES :

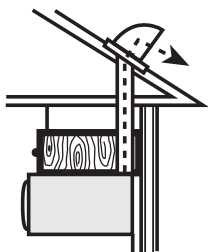
- Les matériaux du circuit d'évacuation nécessaires à l'installation ne sont pas fournis avec l'ensemble four à micro-ondes/hotte.
- On déconseille l'emploi d'un conduit métallique flexible.
- Pour éviter d'éventuelles détériorations du produit, veiller à ce que l'air aspiré soit déchargé à l'extérieur (sauf dans le cas d'une installation avec recyclage). Veiller à ce que l'air aspiré ne soit pas déchargé dans un espace fermé dissimulé (cavité dans une cloison), au-dessus du plafond, grenier, vide sanitaire ou garage.

Recommandations pour une installation optimale du circuit d'évacuation :

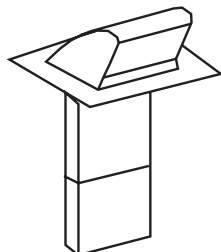
- utiliser une bouche de décharge (murale ou sur toit) comportant un clapet anti-reflux
- utiliser un conduit métallique rigide
- utiliser l'itinéraire d'acheminement le plus direct; minimiser la longueur du circuit et le nombre de coudes pour obtenir un fonctionnement efficace
- utiliser des conduits de taille uniforme
- assurer l'étanchéité de toutes les jointures des conduits avec du ruban adhésif pour conduits
- utiliser un composé de calfeutrage pour assurer l'étanchéité autour de la bouche de décharge (murale ou sur toit)
- ne pas connecter ensemble 2 raccords coudés, pour optimiser la performance de la hotte

Dans le cas de la décharge à travers le mur, veiller à disposer de l'espace libre suffisant à l'intérieur du mur pour que le clapet anti-reflux puisse manœuvrer librement.

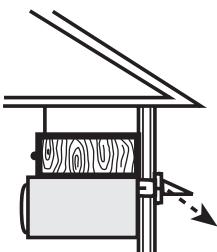
Dans le cas de la décharge à travers le toit, si on doit utiliser un raccord de transition (de rectangulaire à rond), veiller à disposer d'un espace libre d'au moins 3" (7,6 cm) entre le sommet du four à micro-ondes et le raccord de transition. Voir l'illustration "Raccord de transition rectangulaire/rond".



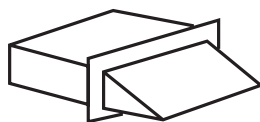
Décharge à travers le toit



Bouche de décharge sur toit



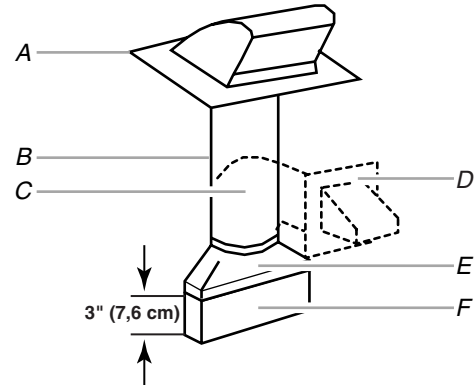
Décharge à travers le mur



Bouche de décharge murale

Raccord de transition rectangulaire/rond

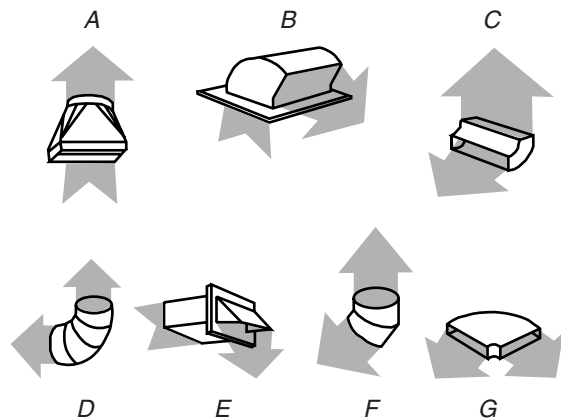
REMARQUE : On doit disposer d'un espace libre de 3" (7,6 cm) ou plus entre le sommet du four à micro-ondes et le raccord de transition rectangulaire/rond pour que le clapet anti-reflux puisse manœuvrer librement et complètement.



- A. Bouche de décharge sur toit
- B. Conduit rond dia. 6" (15,2 cm) min.
- C. Coude (pour décharge murale uniquement)
- D. Bouche de décharge murale
- E. Raccord de transition rectangulaire/rond 3/4" x 10" à dia. 6" (8,3 x 25,4 cm à 15,2 cm)
- F. Raccord d'extension, longueur de 3" (7,6 cm) min.

Raccords standard recommandés

Les longueurs équivalentes suivantes doivent être utilisées pour calculer la longueur du circuit d'évacuation. Voir les exemples dans la section "Longueur recommandée du circuit d'évacuation".



- A. Raccord de transition rectangulaire/rond : 3/4" x 10" à dia. 6" = 5 pi (8,3 x 25,4 cm à 15,2 cm = 1,5 m)
- B. Bouche de décharge sur toit : 3/4" x 10" = 24 pi (8,3 x 25,4 cm = 7,3 m)
- C. Coude à 90° : 3/4" x 10" = 25 pi (8,3 x 25,4 cm = 7,6 m)
- D. Coude à 90° : 6" = 10 pi (15,2 cm = 3 m)
- E. Bouche de décharge murale : 3/4" x 10" = 40 pi (8,3 x 25,4 cm = 12,2 m)
- F. Coude à 45° : 6" = 5 pi (15,2 cm = 1,5 m)
- G. Coude à 90° plat : 3/4" x 10" = 10 pi (8,3 x 25,4 cm = 3 m)

Longueur recommandée du circuit d'évacuation

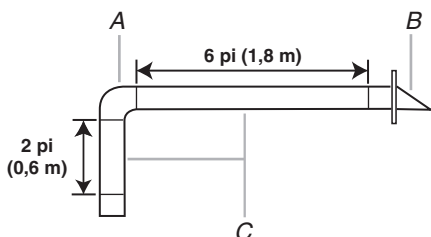
On devrait utiliser un conduit rectangulaire 3¼" x 10" (8,3 x 25,4 cm), ou un conduit rond de dia. 6" (15,2 cm).

La longueur équivalente totale du circuit d'évacuation, ceci incluant les sections de conduit rectilignes, coude(s), raccords de transition et bouche de décharge murale ou sur toit, ne doit pas dépasser 140 pi (42,7 m) quel que soit le type de conduit. Les longueurs équivalentes des divers composants sont mentionnées dans la section "Raccords standard recommandés".

Pour optimiser la performance, ne pas utiliser plus de trois coudes à 90°.

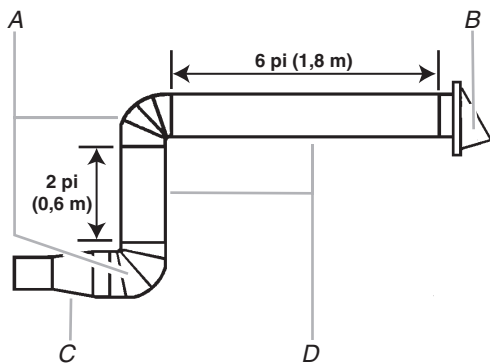
Pour calculer la longueur équivalente du système nécessaire, totaliser les valeurs de longueur équivalente pour tous les composants utilisés dans le circuit. Voir les exemples suivants :

Conduit de 3¼" x 10" (8,3 x 25,4 cm) = longueur totale 73 pi (22,2 m)



- A. Un coude à 90° 3¼" x 10" (8,3 x 25,4 cm) = 25 pi (7,6 m)
- B. 1 bouche de décharge murale = 40 pi (12,2 m)
- C. Sections de conduit rectiligne 2 pi (0,6 m) + 6 pi (1,8 m) = 8 pi (2,4 m)

Conduit de dia. 6" (15,2 cm) = longueur totale 73 pi (22,2 m)



- A. Deux coudes à 90° = 20 pi (6,1 m)
- B. 1 bouche de décharge murale = 40 pi (12,2 m)
- C. Raccord de transition conduit rectangulaire/conduit rond = 5 pi (1,5 m)
- D. Sections de conduit rectiligne 2 pi (0,6 m) + 6 pi (1,8 m) = 8 pi (2,4 m)

Si le circuit d'évacuation existant est fait de conduit rond, on doit utiliser un raccord de transition de conduit rectangulaire à conduit rond. De plus on devra utiliser une extension de conduit rectangulaire de 3" (7,6 cm) entre le clapet anti-reflux et le raccord de transition rectangulaire/rond, pour éviter toute entrave à la manœuvre du clapet anti-reflux.

8206322

© 2006.
All rights reserved.
Tous droits réservés.

ASSISTANCE

Appeler le marchand local autorisé ou le centre de service agréé. Lors de l'appel, vous aurez besoin des numéros de modèle et de série du four à micro-ondes. Les deux numéros peuvent être trouvés sur la plaque signalétique située derrière la porte du four à micro-ondes, sur le châssis avant du four à micro-ondes.

Si une assistance supplémentaire est nécessaire, composer le numéro sans frais indiqué dans le Guide d'utilisation et d'entretien ou consulter le site web.

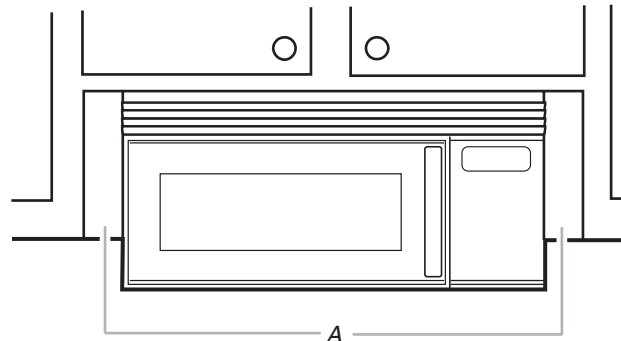
Pièces de rechange

Si l'une des pièces de quincaillerie a besoin d'être remplacée, composer le numéro sans frais indiqué dans le Guide d'utilisation et d'entretien, et fournir le numéro de référence approprié indiqué ici.

Module du clapet anti-reflux Pièce n° 8206556	Ensemble de vis de montage (incluant les pièces A-E présentées à la section "Pièces fournies") Pièce n° 8205947
Plaque de montage Pièce n° 8206320	
Gabarit pour placard mural Pièce n° 8205928	

Accessoires

Des trousse de panneaux de remplissage sont disponibles auprès du marchand; les utiliser lors de l'installation de ce four à micro-ondes dans une ouverture de 36" (91,4 cm) ou 42" (106,7 cm) de large. Les panneaux de remplissage sont vendus par paire. La largeur de chaque panneau est de 3" (7,6 cm).



A. Panneaux de remplissage

Trousse de panneau de remplissage numéro	8171336	Blanc
	8171337	Noir
	8171338	Biscuit
	8171339	Acier inoxydable
	99403	Amande

Consulter le marchand local autorisé ou le centre de service agréé pour les détails.