



# Profile Chimney Vent Hoods

**Safety Instructions** ..... 2, 3

**Operating Instructions**

Light Controls ..... 4  
Vent Controls ..... 4

**Care and Cleaning**

Grease Filters ..... 5  
Hood Lights ..... 6  
Stainless Steel Surfaces ..... 6

**Installation Instructions**

Installation Preparation ..... 7-13  
Vented to the Outside ..... 14-17  
Recirculating ..... 18-22

**Troubleshooting Tips** ... 23, 24

**Consumer Support**

Consumer Support ..... 26  
Warranty ..... 25

**Owner's Manual  
and Installation  
Instructions**

PV970  
PV976

*Write the model and serial numbers here:*

**Model #** \_\_\_\_\_

**Serial #** \_\_\_\_\_

You can find them on a label on the inside of the hood.

# IMPORTANT SAFETY INFORMATION. READ ALL INSTRUCTIONS BEFORE USING.



## SAFETY PRECAUTIONS

**⚠ WARNING – TO REDUCE THE RISK OF FIRE, ELECTRIC SHOCK OR INJURY TO PERSONS, OBSERVE THE FOLLOWING:**

- A. Use this unit only in the manner intended by the manufacturer. If you have questions, contact the manufacturer.
- B. Before servicing or cleaning unit, switch power off at service panel and lock the service disconnecting means to prevent power from being switched on accidentally. When the service disconnecting means cannot be locked, securely fasten a prominent warning device, such as a tag, to the service panel.
- C. Do not use this unit with any solid-state speed control device.
- D. This unit must be grounded.

**⚠ CAUTION –** *For general ventilating use only. Do not use to exhaust hazardous or explosive materials and vapors.*

**⚠ CAUTION –** *To reduce risk of fire and to properly exhaust air, be sure to duct air outside. Do not vent exhaust air into spaces within walls or ceilings or into attics, crawl spaces or garages.*

**⚠ WARNING – TO REDUCE THE RISK OF INJURY TO PERSONS IN THE EVENT OF A RANGE TOP GREASE FIRE, OBSERVE THE FOLLOWING\*:**

- A. SMOTHER FLAMES with a close-fitting lid, cookie sheet or metal tray, then turn off the burner. BE CAREFUL TO PREVENT BURNS. If the flames do not go out immediately, EVACUATE AND CALL THE FIRE DEPARTMENT.
- B. NEVER PICK UP A FLAMING PAN—You may be burned.
- C. DO NOT USE WATER, including wet dishcloths or towels—a violent steam explosion will result.
- D. Use an extinguisher ONLY if:
  1. You know you have a Class ABC extinguisher, and you already know how to operate it.
  2. The fire is small and contained in the area where it started.
  3. The fire department is being called.
  4. You can fight the fire with your back to an exit.

\* Based on "Kitchen Fire Safety Tips" published by NFPA.



## SAFETY PRECAUTIONS

### **⚠ WARNING – TO REDUCE THE RISK OF A RANGE TOP GREASE FIRE:**

- A. Never leave surface units unattended at high settings. Boil overs cause smoking and greasy spillovers that may ignite. Heat oils slowly on low or medium settings.
- B. Always turn hood **ON** when cooking on high heat or when flambéing food (i.e. Crepes Suzette, Cherries Jubilee, Peppercorn Beef Flambé).
- C. Clean ventilating fans frequently. Grease should not be allowed to accumulate on fan or filter.
- D. Use proper pan size. Always use cookware appropriate for the size of the surface element.

### **⚠ WARNING – TO REDUCE THE RISK OF FIRE, ELECTRIC SHOCK OR INJURY TO PERSONS, OBSERVE THE FOLLOWING:**

- A. Installation work and electrical wiring must be done by qualified person(s) in accordance with all applicable codes and standards, including fire-rated construction.
- B. Sufficient air is needed for proper combustion and exhausting of gases through the flue (chimney) of fuel burning equipment to prevent back drafting. Follow the heating equipment manufacturer's guidelines and safety standards such as those published by the National Fire Protection Association (NFPA), the American Society for Heating, Refrigeration and Air Conditioning Engineers (ASHRAE) and the local code authorities.
- C. When cutting or drilling into wall or ceiling, do not damage electrical wiring and other hidden utilities.
- D. Ducted fans must always be vented to the outdoors.

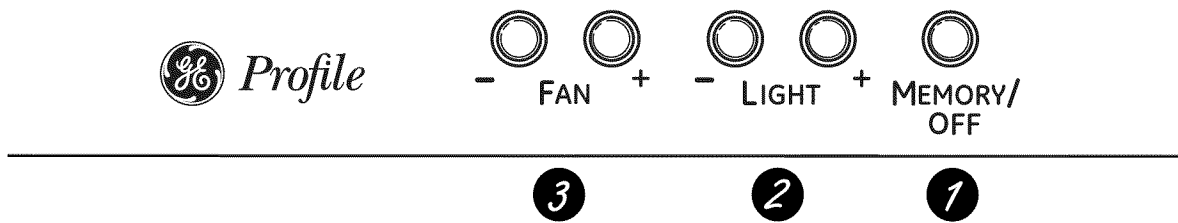
### **⚠ WARNING – TO REDUCE THE RISK OF FIRE, USE ONLY METAL DUCTWORK.**

- Do not attempt to repair or replace any part of your hood unless it is specifically recommended in this manual. All other servicing should be referred to a qualified technician.



**READ AND FOLLOW THIS SAFETY INFORMATION CAREFULLY.  
READ AND SAVE THESE INSTRUCTIONS**

## Using the hood controls.



- 1 MEMORY/OFF.** To set the memory:
- Press the **MEMORY/OFF** button.
  - Set your desired fan and light settings.
  - Press the **MEMORY/OFF** button again to save these settings.

With your desired settings in memory, press the **MEMORY/OFF** button to restore the fan and light levels to their saved settings. These settings will remain in memory until they are changed or loss of power occurs.

**To turn off the hood, press the MEMORY/OFF button.**

- 2 LIGHT.** Press + or - to increase or decrease light level to desired setting. There are 2 light levels (**LOW, HIGH**) and **OFF**. If you continue to press the + or - buttons, the light will cycle back through the settings.

**NOTE:** Please check the lamps to ensure only 20W lamps (maximum) are installed.

- 3 FAN.** Press + or - to increase or decrease fan level to your desired setting. There are 4 fan levels (**LOW, MED, HIGH, BOOST**) and **OFF**. If you continue to press the + or - buttons, the fan will cycle back through the settings.

**NOTE:** There is an audible “beep” each time a button is pressed. This is normal.

**NOTE:** The collars around the buttons will illuminate when pressed. This is normal. The collars will automatically turn off if the hood is turned off.

### HEAT SENSOR:

This hood is equipped with a heat sensor that will turn on the fan if excessive temperatures are detected (over 70 °C/158 °F) above the cooking surface. The hood will return to its normal operation once the heat sensor detects temperatures below 60 °C/140 °F.

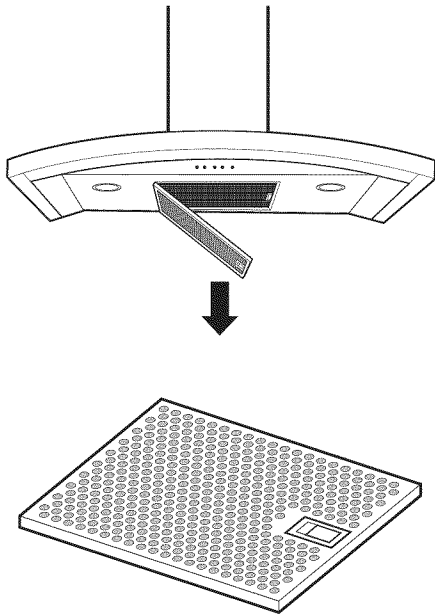
**NOTE:** If the hood is **OFF** or on **LOW** fan speed, the temperatures above 70 °C/158 °F are detected; then the fan will automatically adjust to **MED** speed. You may adjust the fan speed to **HIGH** or **BOOST**, but you will not be able to adjust the fan speed to **LOW** or **OFF** until temperatures below 60 °C/140 °F are detected.

**NOTE:** The collars around the buttons may not illuminate if the heat sensor is activated. This is normal.

# Care and cleaning of the vent hood.

ge.com

Be sure electrical power is off and all surfaces are cool before cleaning or servicing any part of the vent hood.



## Metal Grease Filter

The metal filter traps grease released by foods from the cooktop. The filter also helps prevent flames (from food, grease) from damaging the inside of the hood.

For this reason, the filter must ALWAYS be in place when the hood is in use. The grease filter is dishwasher-safe and should be cleaned every 6 months, or as needed.

### To remove:

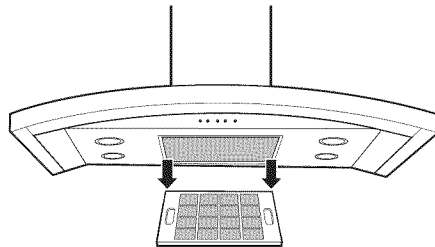
Pull downward on the filter lock to release the filter.

### To replace:

Fit the tabs at the end of the filter into the slots in the left side of the filter opening. Lift up the right side of the filter and push gently until the filter locks into place. Make sure the filter lock is in the closed position to secure the filter.

**To clean**, swish the filter in hot soapy water and rinse in clean water or wash it in the dishwasher. Do not use abrasive cleansers.

**NOTE:** Some discoloration will occur in the dishwasher.



## Charcoal Filter (for recirculating installation only)

If the model is not vented to the outside, the air will be recirculated through a disposable charcoal filter that helps remove smoke and odors.

The charcoal filter should be replaced when it is noticeably dirty or discolored (usually after 6 to 12 months, depending on hood usage).

**NOTE:** DO NOT rinse, or put charcoal filter in an automatic dishwasher.

**The charcoal filter cannot be cleaned. It must be replaced.**

**Order Charcoal Filter WB02X11348.**

To inquire about purchasing replacement charcoal filters or to find the location of a dealer nearest you, please call our toll-free number:

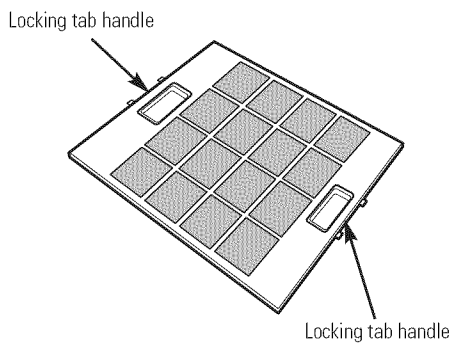
**National Parts Center  
800.626.2002**

### To remove:

1. Remove the metal filter—see *Metal grease filter* section.
2. Remove the charcoal filter by pushing in on both locking tab handles to release.

### To replace:

1. Insert the charcoal filter into the opening. Push the locking tab handles toward the center and release to engage the locking tabs.
2. Replace the metal filter—see *Metal grease filter* section.



## Care and cleaning of the vent hood.

Be sure electrical power is off and all surfaces are cool before cleaning or servicing any part of the vent hood.

### Stainless Steel Surfaces

**Do not use a steel wool pad; it will scratch the surface.**

To clean the stainless steel surface, use warm sudsy water or a stainless steel cleaner or polish. Always wipe the surface in the direction of the grain. Follow the cleaner instructions for cleaning the stainless steel surface.

To inquire about purchasing stainless steel appliance cleaner or polish, or to find the location of a dealer nearest you, please call our toll-free number:

**National Parts Center**  
**800.626.2002**  
**ge.com**

### Light Bulbs

#### ▲ CAUTION:

Allow bulbs to cool before touching.

**To change the light bulbs:**

1. Remove the lamp lens cover by inserting a small flat blade screwdriver into each of the three slots and gently prying it free.

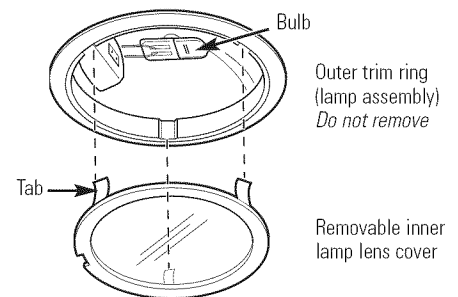
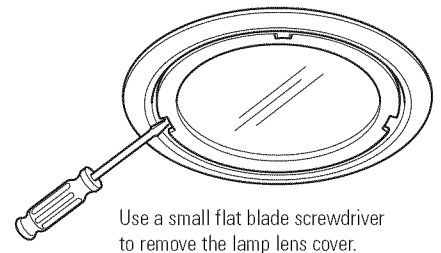
**NOTE:** Do not remove the outer trim ring (lamp assembly).

2. **Wear gloves. Do not touch the bulb with your bare fingers. Skin oils can cause early lamp failure.**
3. Grasp the bulb and pull it straight out.
4. Replace with the same wattage. Early bulb failure and damage to or failure of the transformer may occur if wattage is too high.

These **12-volt, 20-watt** halogen bulbs with a G4 base are available at specialty lighting stores and home building centers.

To order replacement bulb no. **WB01X10239**, contact the GE National Parts Center at 1.800.626.2002 or purchase from your local retailer.

5. Replace lamp lens cover by inserting the three retaining tabs into the three slots and pressing firmly in place.



**NOTE:** Make sure the tabs are inserted into the slots.

# Installation Instructions

# Chimney Vent Hoods

? Questions? Call 800.GE.CARES (800.432.2737) or Visit our Website at: [ge.com](http://ge.com)

## BEFORE YOU BEGIN

Read these instructions completely and carefully.

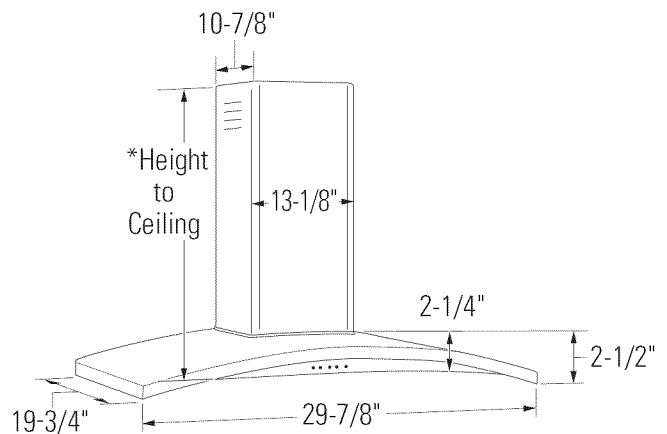
- **IMPORTANT** — Save these instructions for local inspector's use.
- **IMPORTANT** — Observe all governing codes and ordinances.
- **Note to Installer** – Be sure to leave these instructions with the Consumer.
- **Note to Consumer** – Keep these instructions for future reference.
- **Skill level** – Installation of this vent hood requires basic mechanical and electrical skills.
- **Completion time** – Approximately 1 to 3 hours
- Proper installation is the responsibility of the installer.
- Product failure due to improper installation is not covered under the Warranty.

**⚠ CAUTION** — Due to the weight and size of these vent hoods and to reduce the risk of personal injury or damage to the product, **TWO PEOPLE ARE REQUIRED FOR PROPER INSTALLATION.**

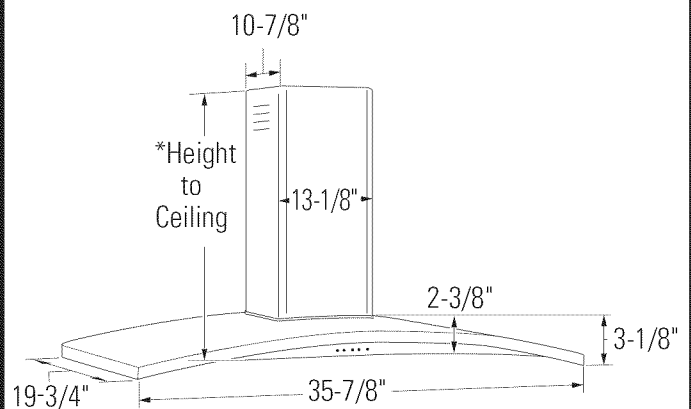
## FOR YOUR SAFETY:

**⚠ WARNING** — Before beginning the installation, switch power off at service panel and lock the service disconnecting means to prevent power from being switched on accidentally. When the service disconnecting means cannot be locked, securely fasten a prominent warning device, such as a tag, to the service panel.

## PRODUCT DIMENSIONS

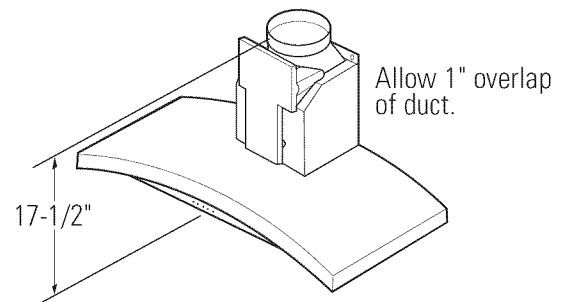


30" Models Require a 30" Wide Opening



36" Models Require a 36" Wide Opening

\* For supplied duct cover ceiling heights for vented installation and recirculating installation, refer to the table on page 13.



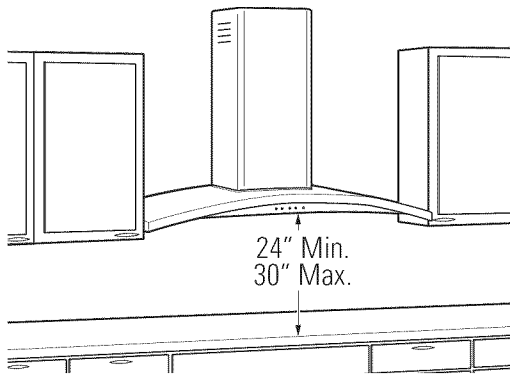
# Installation Preparation

## PREPARE TO INSTALL THE HOOD

### INSTALLATION CLEARANCES

These vent hoods are designed to be installed onto a wall. They may be installed beneath a soffit or cabinet.

- Install these hoods 24" Min. to 30" Max. above the cooking surface.



The vent hood must be installed 24" min. and 30" max. above the cooking surface. The hood installation height above the cooking surface depends upon ceiling height and duct cover limitations. The telescopic duct cover conceals the ductwork running from the top of the hood to the ceiling. For supplied duct cover ceiling heights, see table on page 13.

Recirculation Kit:

Kit includes 1 air deflector and 1 charcoal filter and is included with the hood.

**NOTE:** Installation height should be measured from the cooking surface to the lowest part of the hood. This hood may be installed onto a wall and vented to the outdoors, or it can be installed for recirculating operation. For recirculation operation, a Recirculating Kit (included) is required.

### ADVANCE PLANNING

#### Ductwork Planning

- This hood is designed to be vented vertically through the ceiling. A duct transition piece is supplied for vertical exhaust. Use locally supplied elbows to vent horizontally through the rear wall. See page 10.
- Determine the exact location of the vent hood.
- Plan the route for venting exhaust to the outdoors.
- Use the shortest and straightest duct route possible. For satisfactory performance, duct run should not exceed 100' equivalent length for any duct configurations.
- Refer to "Duct Fittings" chart to compute the maximum permissible length for duct runs to the outdoors.
- Use metal ductwork only.
- A transition piece for 8" round duct is supplied. Use 8" round duct.
- Install a wall cap or roof cap with damper at the exterior opening. Order the wall or roof cap and any transition and length of duct needed in advance.

#### Wall Framing for Adequate Support

- This vent hood is heavy. Adequate structural support must be provided. The hood must be secured to vertical studs in the wall. See page 14.
- We strongly recommend that the vent hood with duct cover be on site before final framing and wall finishing. This will also help to accurately locate the ductwork and electrical service.



# Installation Preparation

---

## POWER SUPPLY

*IMPORTANT – (Please read carefully)*

### **▲ WARNING:**

FOR PERSONAL SAFETY, THIS APPLIANCE MUST BE PROPERLY GROUNDED.

Remove house fuse or open circuit breaker before beginning installation.

Do not use an extension cord or adapter plug with this appliance. Follow National Electrical Codes or prevailing local codes and ordinances.

### **Electrical supply**

These vent hoods must be supplied with 120V, 60Hz, and connected to an individual, properly grounded branch circuit, and protected by a 15 or 20 amp circuit breaker or time delay fuse.

- Wiring must be 2 wire with ground.
- If the electrical supply does not meet the above requirements, call a licensed electrician before proceeding.
- Route house wiring as close to the installation location as possible in the ceiling or wall. See page 14 for details.
- Connect the wiring to the house wiring in accordance with local codes.

### **Grounding instructions**

The grounding conductor must be connected to a ground metal, permanent wiring system, or an equipment-grounding terminal or lead on the hood.

**▲ WARNING:** The improper connection of the equipment-grounding conductor can result in a risk of electric shock. Check with a qualified electrician or service representative if you are in doubt whether the appliance is properly grounded.

# Installation Preparation

## DUCT FITTINGS

**This Hood Must Use an 8" Round Duct. It Can Transition to a 3-1/4" x 12" Duct.**

Use this chart to compute maximum permissible lengths for duct runs to outdoors.

**NOTE:** Do not exceed maximum permissible equivalent lengths!

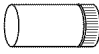

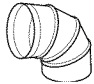
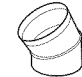
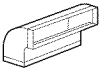
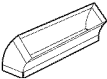
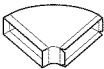

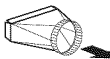
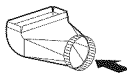
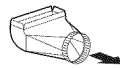
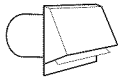
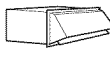

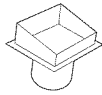
**Maximum duct length: 100 feet.**

### Flexible ducting:

If flexible metal ducting is used, all the equivalent feet values in the table should be doubled. The flexible metal duct should be straight and smooth and extended as much as possible.

DO NOT use flexible plastic ducting.

**NOTE:** Any home ventilation system, such as a ventilation hood, may interrupt the proper flow of combustion air and exhaust required by fireplaces, gas furnaces, gas water heaters and other naturally vented systems. To minimize the chance of interruption of such naturally vented systems, follow the heating equipment manufacturer's guidelines and safety standards such as those published by NFPA and ASHRAE.

Duct Piece	Dimensions	Equivalent Length*	Quantity Used	Total Equivalent Length
	8" Round, straight	1 ft. (per foot length)		
	3-1/4" x 12" straight	1 ft. (per foot length)		
	8" 90° elbow	17 ft.		
	8" 45° elbow	10 ft.		
	3-1/4" x 12" 90° elbow	43 ft.		
	3-1/4" x 12" 45° elbow	26 ft.		
	3-1/4" x 12" 90° flat elbow	102 ft.		
	8" round to 3-1/4" x 12" transition	2 ft.		
	3-1/4" x 12" to 7" round transition	5 ft.		
	8" round to 3-1/4" x 12" transition 90° elbow	6 ft.		
	3-1/4" x 12" to 8" round round transition 90° elbow	13 ft.		
	8" Round wall cap with damper	32 ft.		
	3-1/4" x 12" wall cap with damper	75 ft.		
	8" Round roof cap	44 ft.		
	Round roof vent	24 ft.		

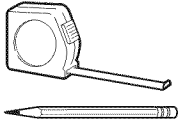
\*Actual length of straight duct plus duct fitting equivalent. Equivalent length of duct pieces are based on actual tests conducted by GE Evaluation Engineering and reflect requirements for good venting performance with any ventilation hood.

Total Duct Run \_\_\_\_\_

# Installation Preparation

## TOOLS AND MATERIALS REQUIRED

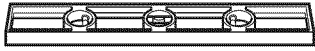
(NOT SUPPLIED)



Pencil and tape measure



Safety glasses



Spirit level



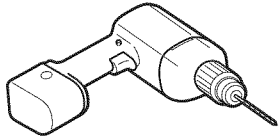
Hammer



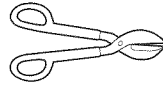
Phillips screwdriver



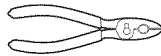
Flashlight



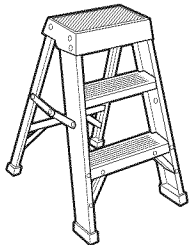
Electric drill with 3/16" bits,  
#2 Phillips and flat head



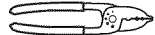
Metal snips



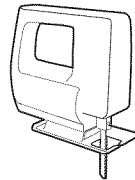
Pliers



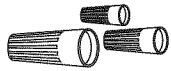
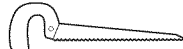
Step ladder



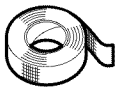
Wire cutter/stripper



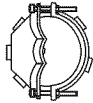
Saber saw or Key Hole saw



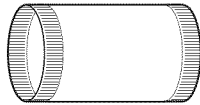
UL listed wire nuts



Aluminized  
Duct tape



Strain relief for  
junction box



8" round metal  
duct, length to  
suit installation



120V 60Hz. 15 or 20 Amp,  
2-wire with ground, properly  
grounded branch circuit

## REMOVE THE PACKAGING

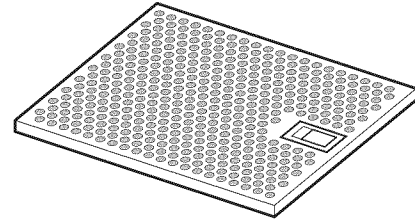
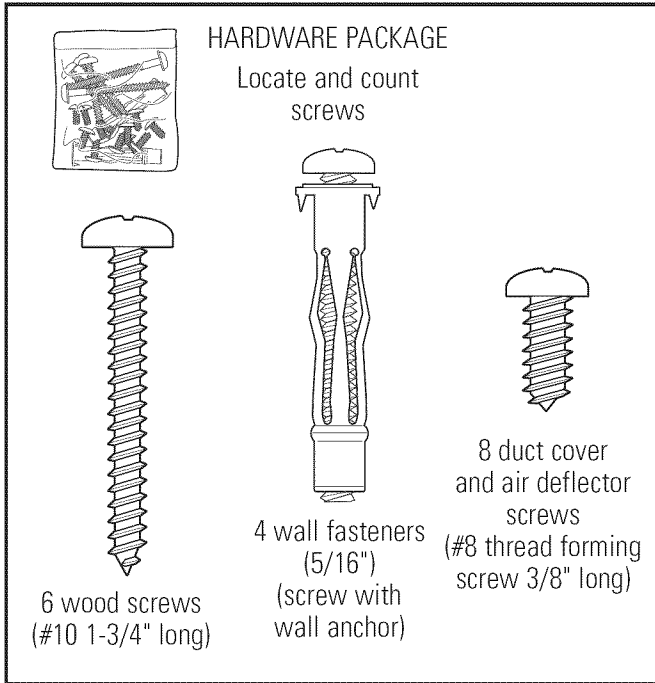
**▲ CAUTION:** Wear gloves to protect against sharp edges.

- Remove the duct covers.
- Remove the hardware bag, literature package and other boxed parts.
- Remove and properly discard the protective plastic wrapping and other packaging materials.
- Remove packing foam from behind the blower.

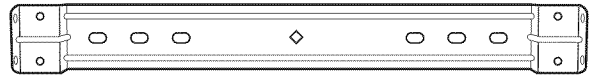
# Installation Preparation

## CHECK INSTALLATION HARDWARE

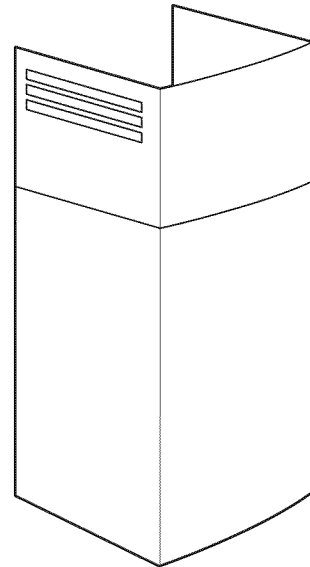
Locate the hardware package packed with the hood and check contents.



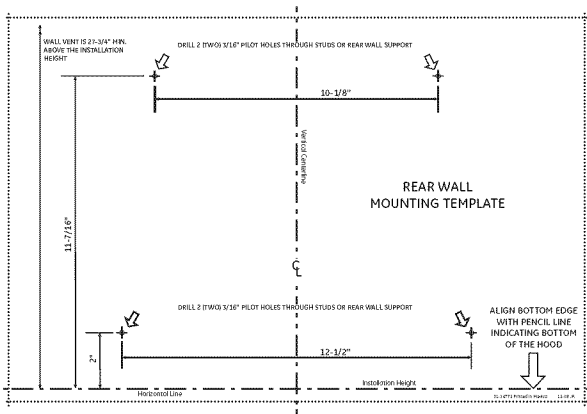
Stainless steel filter



Duct cover bracket

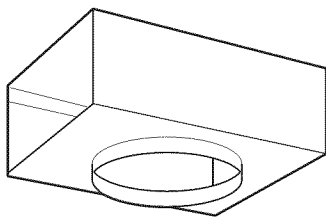


2-piece decorative duct cover

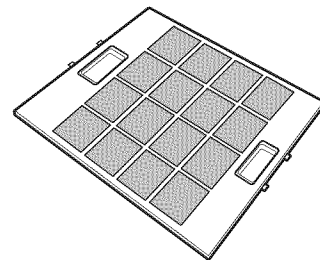


Wall mount template

## RECIRCULATING KIT (Included)



Air deflector

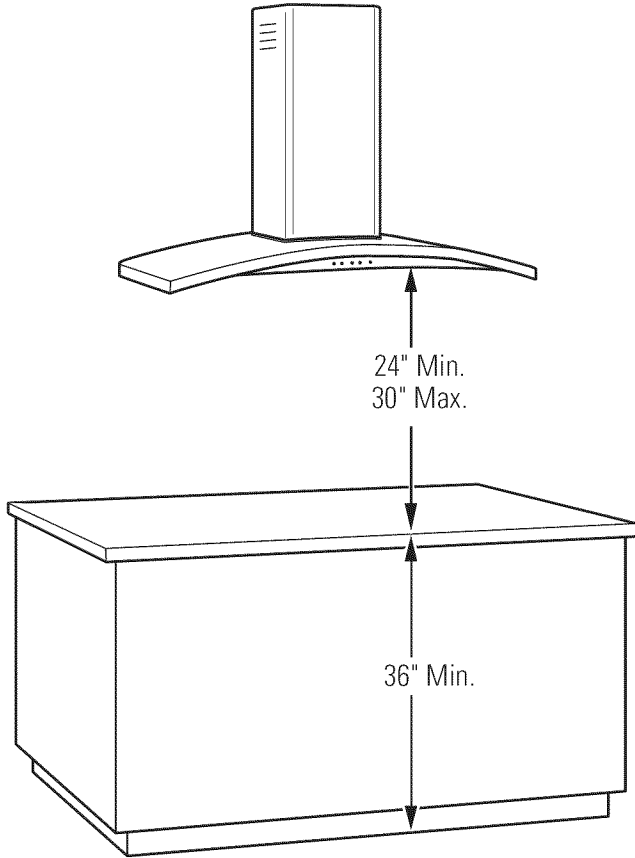


Charcoal filter

# Installation Preparation

## DETERMINE INSTALLATION HEIGHT

- Telescopic duct covers are provided to conceal the ductwork running to the ceiling.
- This hood can be installed for recirculating operation. Recirculating Kit included with hood.



**NOTE:** Installation height should be measured from the cooking surface to the straight portion of the hood.

The vent hood must be installed 24" min. and 30" max. above the cooking surface. The hood installation height, from the cooking surface to the bottom of the hood, depends upon ceiling height and duct cover limitations.

PV970, PV976		
Upper Duct Cover		25.81
Lower Duct Cover		27.56
Counter to Hood Height		
Actual Ceiling Height	*Possible VENTED Installation Height	*Possible RECIRCULATING Installation Height
7' 11"	24" to 30"	24"
8' 0"	24" to 30"	24" to 25"
8' 1"	24" to 30"	24" to 26"
8' 2"	24" to 30"	24" to 27"
8' 3"	24" to 30"	24" to 28"
8' 4"	24" to 30"	24" to 29"
8' 5"	24" to 30"	24" to 30"
8' 6"	24" to 30"	24" to 30"
8' 7"	24" to 30"	24" to 30"
8' 8"	24" to 30"	24" to 30"
8' 9"	24" to 30"	24" to 30"
8' 10"	24" to 30"	24" to 30"
8' 11"	24" to 30"	24" to 30"
9' 0"	24" to 30"	24" to 30"
9' 1"	24" to 30"	24" to 30"
9' 2"	25" to 30"	24" to 30"
9' 3"	26" to 30"	24" to 30"
9' 4"	27" to 30"	24" to 30"
9' 5"	28" to 30"	24" to 30"
9' 6"	29" to 30"	24" to 30"
9' 7"	30"	25" to 30"
9' 8"		26" to 30"
9' 9"		27" to 30"
9' 10"		28" to 30"
9' 11"		29" to 30"
10' 0"		30"
10' 1"		
10' 2"		
10' 3"		

\*Based on 36" countertop height

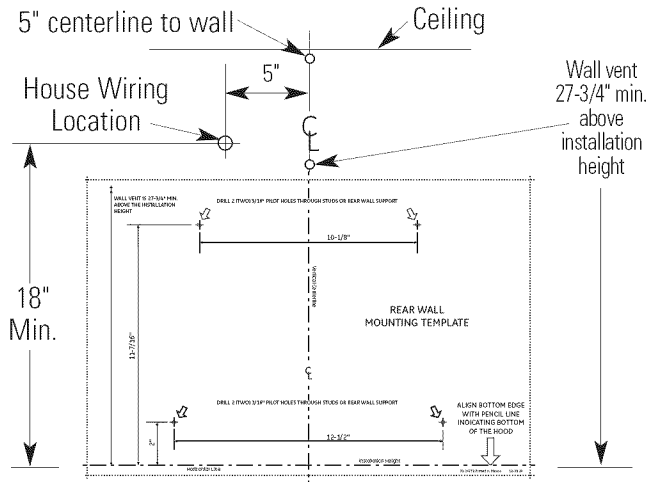
# Installation Instructions

## INSTALLATION—VENTED TO THE OUTSIDE

### DUCTWORK, WIRING LOCATIONS

Determine the exact location of the vent hood.

- Locate the template packed with the literature.
  - Measure 36" from the floor to the top of the cooking surface. Add hood installation height determined on pages 8 and 13. Mark that location.
  - **Use a level to draw a straight pencil line on the wall.**
  - Tape the template in position along the penciled line. CHECK TO BE SURE THE TEMPLATE IS LEVEL.



#### Ceiling ducting:

If ductwork will vent straight up to the ceiling:

- Use a level to draw a line straight up, from the centerline on the template to the ceiling.
- Measure 5" from the back wall to the centerline of an 8-1/2" hole on the ceiling.

**NOTE:** If drywall is not present, add drywall thickness to the 5" dimension.

#### Wall Ducting:

If ductwork will vent to the rear:

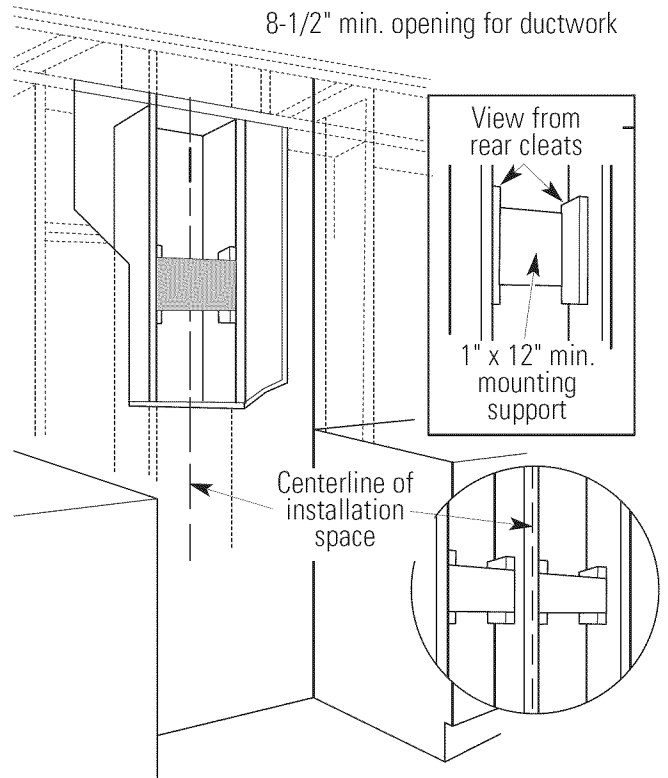
- Use a level to draw a line straight up from the centerline on the template.
- Measure at least 27-3/4" above the pencil line that indicates the bottom installation height, to the centerline of an 8-1/2" dia. duct hole. (Hole may be elongated for duct elbow.)

#### HOUSE WIRING LOCATION:

- The junction box is located on the top left side of the hood.
- Wiring should enter the back wall at least 18" above the bottom of the hood and within 5" of the left side of the centerline.

### 1 INSTALL FRAMING FOR HOOD SUPPORT

**IMPORTANT** – Framing must be capable of supporting 100 lbs.



If drywall is present, mark the screw hole locations for the top mounting brackets. Remove the template.

- Cut away enough drywall to expose 2 vertical studs at the bracket location indicated on the template.
- Install a horizontal support at least 1" x 12" between two wall studs at the mounting screw location. **The horizontal support must be flush with the room side of the studs.** Use cleats behind both sides of the support to secure to wall studs.

**NOTE:** 2 horizontal supports will be needed if there is a stud located between the horizontal screw locations (see figure).

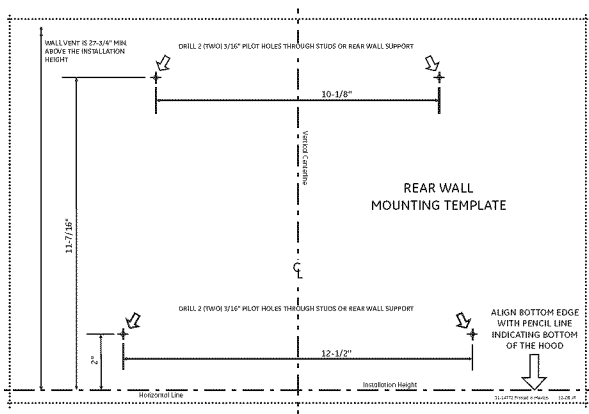
**IMPORTANT:** Reinstall drywall for an even mounting surface.

# Installation Instructions

## 2 INSTALL HOOD MOUNTING SCREWS

The two upper mounting screws must enter the horizontal support or wall studs.

- With the template taped in place, use a punch to mark mounting bracket screw locations.
- Drill 1/8" pilot holes in 4 of the punched locations in the lower bracket. If the bottom 2 pilot holes do not enter wood, enlarge the holes to 3/8" and install metal wall fastener anchors (provided).
- Remove the template.
- Install the 2 top mounting screws, leave 1/4" gap between the screw head and the wall. This will allow the keyhole slot on the hood frame to engage the screw head.



**IMPORTANT:** Use the mounting screws provided. DO NOT USE DRYWALL SCREWS.

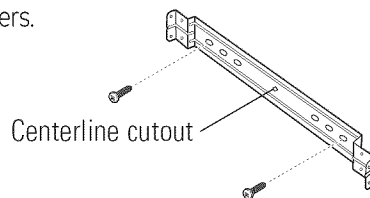
- Check to be sure the mounting screws are horizontally level.

## 3 INSTALL DUCT BRACKET

The duct bracket should be installed against the back wall and flush with the ceiling; the point where the ceiling meets the wall should be level for the bracket and duct cover to fit flush. This bracket will hold the duct cover in place at the top.

**Secure the bracket to the wall:**

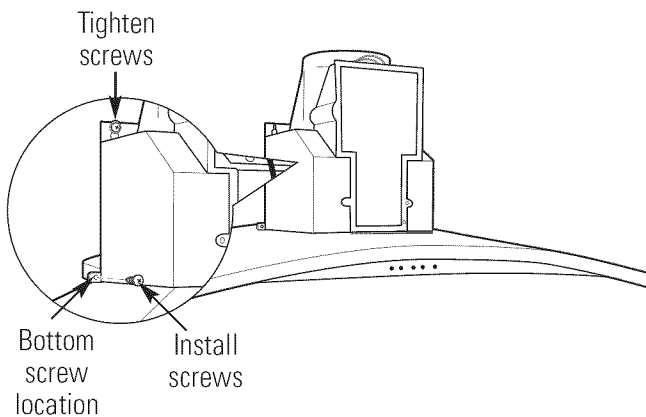
- Align the diamond centerline cutout on the bracket with the penciled centerline on the wall.
- Mark 2 screw hole locations in the wall.
- Drill 1/8" pilot holes in the marked locations.
- If pilot holes do not enter wood studs, enlarge the holes to 3/8" and install metal wall fastener anchors (provided).
- If mounting directly to a masonry wall, obtain appropriate #10 masonry screw anchors. Drill and install per the fastener supplier's instructions.
- Drive screws, by hand, into the fasteners to allow anchors to expand. Remove the screws.
- Secure the bracket to the wall with wood screws and/or fasteners.



## 4 MOUNT THE HOOD

**WARNING:** 2 people are required to lift and position the hood onto the mounting screws.

- Lift the hood onto the mounting screws.
- If using a wall fastener, make sure the washer is in front of the flange and not behind it. Check with a level before tightening the screws.
- Install lower screws to pull the hood tight against the wall.

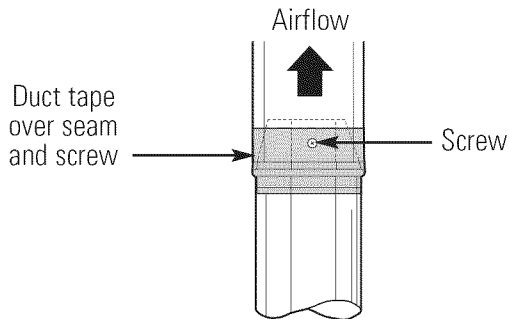


# Installation Instructions

## INSTALLATION—VENTED TO THE OUTSIDE

### 5 CONNECT DUCTWORK

- Remove shipping tape from the damper.
- Install ductwork, making connections in the direction of airflow as illustrated.
- Push duct over the exhaust outlet and damper.
- Secure joints in ductwork with sheet metal screws.
- Wrap all duct joints and the flange connections with aluminized duct tape for an airtight seal.



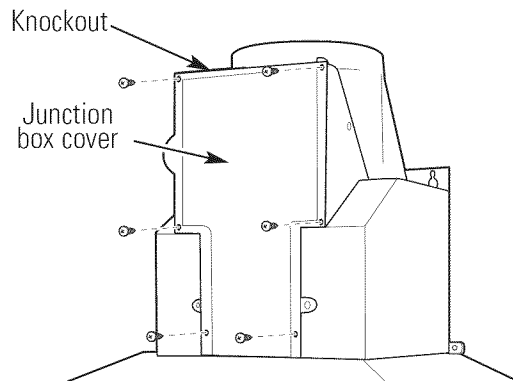
**CAUTION:** Do not use sheet metal screws at the hood flange connection. Doing so will prevent proper damper operation. Seal connection with tape only.

### 6 CONNECT ELECTRICAL

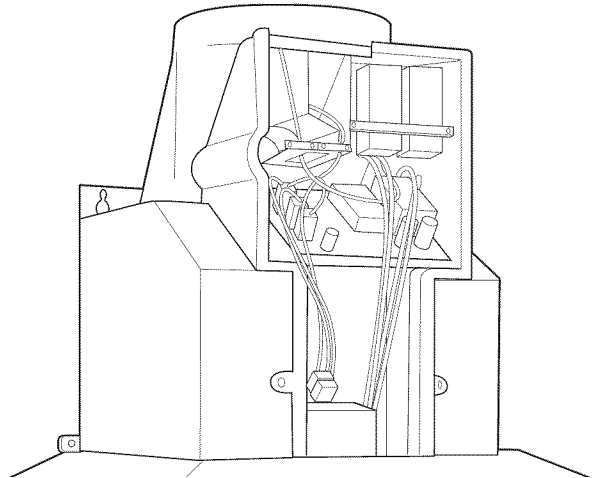
Verify that power is turned off at the source.

**WARNING:** If house wiring is not 2-wire with a ground wire, a ground must be provided by the installer. When house wiring is aluminum, be sure to use U.L. approved anti-oxidant compound and aluminum-to-copper connectors.

- Remove the 6 screws on the junction box cover and the knockout on the top left side.



- Secure the house wiring to the junction box with a strain relief (not provided).



- Connect the white lead to the branch circuit white lead.
- Connect the black lead to the branch circuit black lead.
- Connect the green/yellow lead to the branch circuit green lead or bare ground lead.
- Secure all the connections with wire nuts on each electrical connector.
- Push the wires into the junction box and replace the cover. Be sure the wires are not pinched.
- Secure the junction box cover with the 6 original screws.



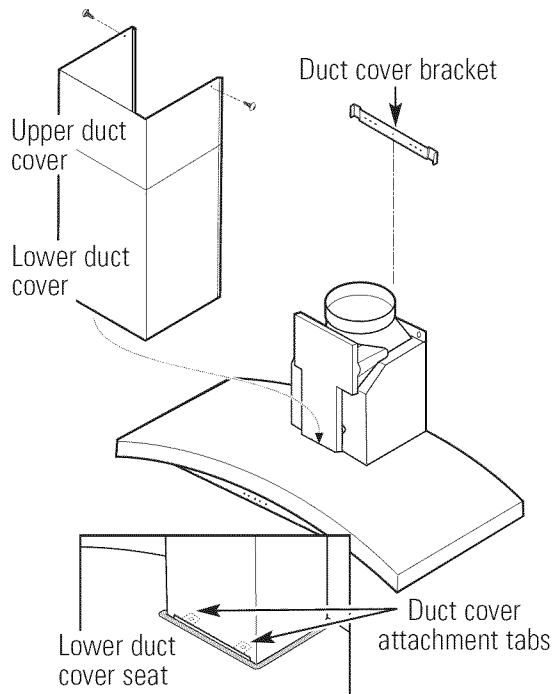
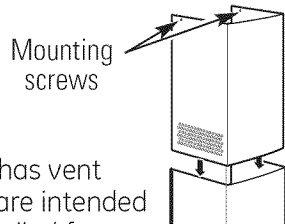
# Installation Instructions

## 7 INSTALL DUCT COVERS

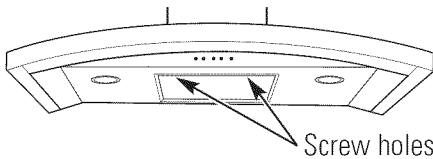
- Remove protective plastic covering.
- Assemble duct covers according to application.

**NOTE:** The inside duct cover has vent holes on one end. The holes are intended for use when the hood is installed for recirculating purposes. Slide the upper duct cover into the folded ends of the lower duct cover.

- Place the decorative duct covers on top of the hood.



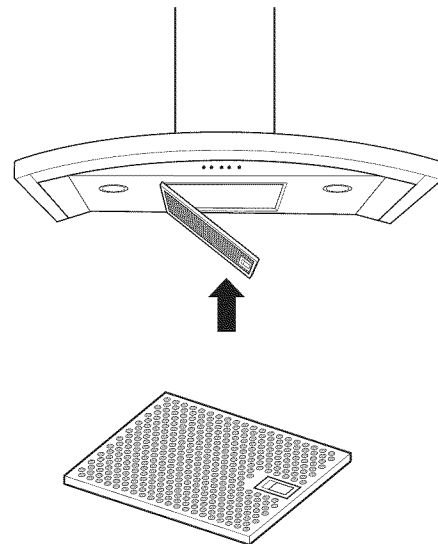
- Extend the inner duct cover upward to the ceiling bracket.
- Secure with 2 screws to the duct cover bracket.



- Remove the packing material from the filter opening.
- Locate the screw holes on the inside front edge of the opening. Install 2 screws to secure the lower duct cover to the hood.

## 8 INSTALL METAL GREASE FILTER

- Remove the protective film on the grease filter.  
**NOTE:** The charcoal filter is not required for this installation.
- Fit the tabs at the end of the filter into the slots in the left side of the filter opening. Lift up the right side of the filter and push gently until the filter locks into place. Make sure the filter lock is in the closed position to secure the filter.
- To remove the filter, pull downward on the filter lock to release.



## 9 FINALIZE INSTALLATION

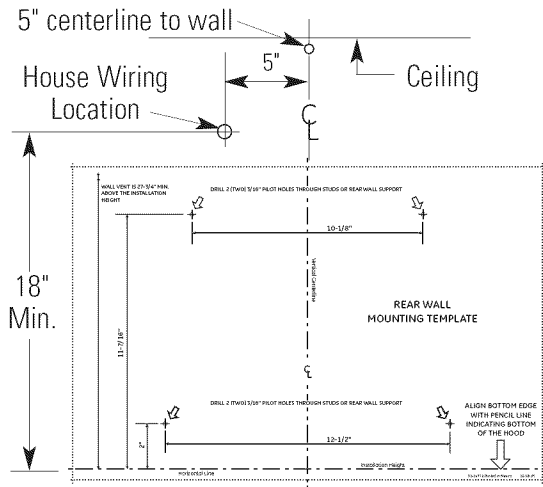
- Check to be sure all tape and packaging materials have been removed.
- Refer to the Operating Instructions in this manual to operate the hood.

# Installation Instructions

## INSTALLATION—RECIRCULATING

### DUCTWORK, WIRING LOCATIONS

- Determine the exact location of the vent hood.
- Locate the template packed with the literature.
- Measure 36" from the floor to the top of the cooking surface. Add hood installation height determined on pages 8 and 13. Mark that location.
- Tape the template in position along the penciled line. CHECK TO BE SURE THE TEMPLATE IS LEVEL.
- Use a level to draw a line straight up, from the centerline on the template to the ceiling.

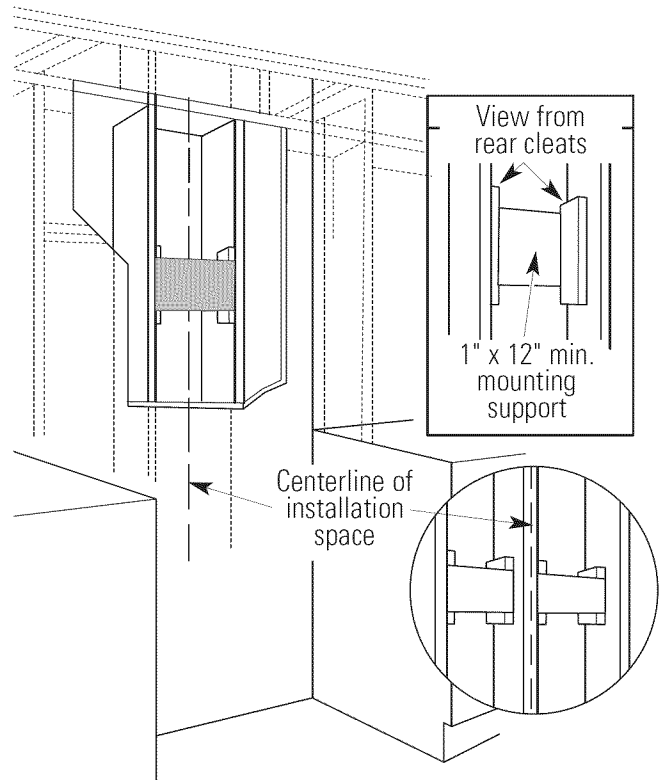


### HOUSE WIRING LOCATION:

- The junction box is located on the top left side of the hood.
- Wiring should enter the back wall at least 18" above the bottom of the hood, and within 5" of the centerline.

### 1 INSTALL FRAMING FOR HOOD SUPPORT

**IMPORTANT:** Framing must be capable of supporting 100 lbs.



If drywall is present, mark the screw hole locations for the top mounting brackets. Remove the template.

- Cut away enough drywall to expose 2 vertical studs at the bracket location indicated on the template.
- Install a horizontal support at least 1" x 12" between two wall studs at the mounting screw location. **The horizontal support must be flush with the room side of the studs.** Use cleats behind both sides of the support to secure to wall studs.

**NOTE:** 2 horizontal supports will be needed if there is a stud located between the horizontal screw locations (see figure).

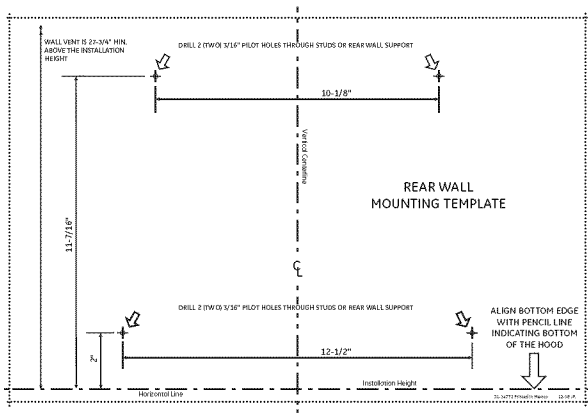
**IMPORTANT:** Reinstall drywall for an even mounting surface.

# Installation Instructions

## 2 INSTALL HOOD MOUNTING SCREWS

The mounting screws must enter the horizontal support or wall studs.

- With the template taped in place, use a punch to mark mounting bracket screw locations.
- Drill 1/8" pilot holes in 4 of the punched locations in the lower bracket. If the bottom 2 pilot holes do not enter wood, enlarge the holes to 3/8" and install metal wall fastener anchors (provided).
- Remove the template.
- Install the 2 top mounting screws; leave 1/4" gap between the screw head and the wall. This will allow the keyhole slot on the hood frame to engage the screw head.



**IMPORTANT:** Use the mounting screws provided. DO NOT USE DRYWALL SCREWS.

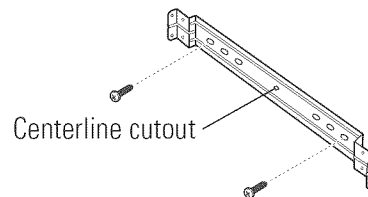
- Check to be sure the mounting screws are horizontally level.

## 3 INSTALL DUCT BRACKET AND DEFLECTOR

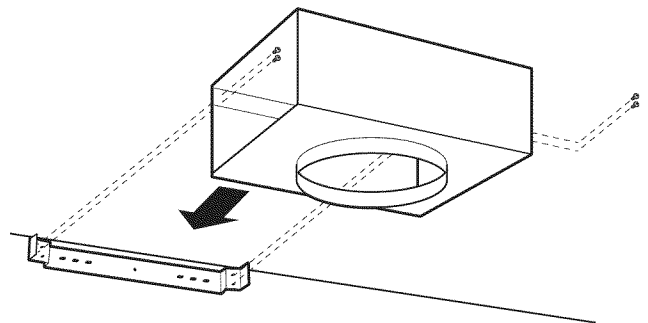
The duct bracket should be installed against the back wall and flush with the ceiling; the point where the ceiling meets the wall should be level for the bracket and duct cover to fit flush. This bracket will hold the duct cover in place at the top.

**Secure the bracket to the wall:**

- Align the diamond centerline cutout on the bracket to the penciled centerline on the wall.
- Mark 2 screw hole locations in the wall.
- Drill 1/8" pilot holes in the marked locations.
- If pilot holes do not enter wood studs, enlarge the holes to 3/8" and install metal wall fastener anchors (provided).
- If mounting directly to a masonry wall, obtain appropriate #10 masonry screw anchors. Drill and install per the fastener supplier's instructions.
- Drive screws, by hand, into the fasteners to allow anchors to expand. Remove the screws.
- Secure the bracket to the wall with wood screws and/or fasteners.



- Assemble the air deflector accessory to the duct cover bracket with the 4 assembly screws provided. DO NOT tighten screws. This is a temporary installation.



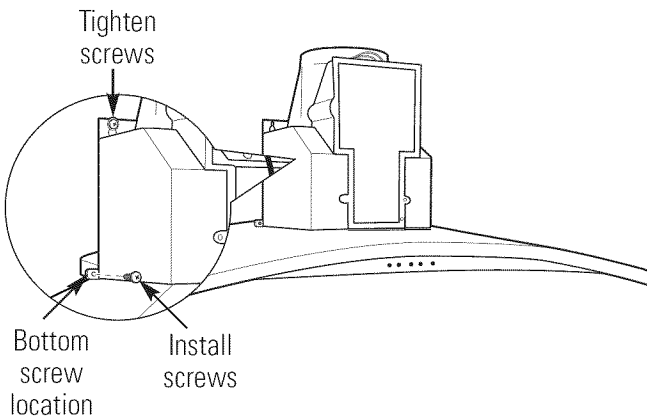
# Installation Instructions

## INSTALLATION—RECIRCULATING

### 4 MOUNT THE HOOD

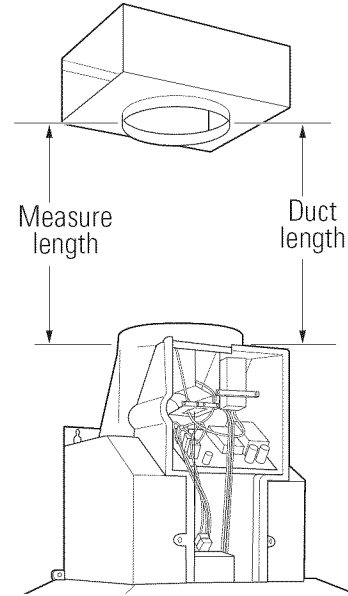
**▲ WARNING:** 2 people are required to lift and position the hood onto the mounting screws.

- Lift the hood onto the mounting screws.
- If using a wall fastener, make sure the washer is in front of the flange and not behind it. Check with a level before tightening screws.
- Install lower screws to pull the hood tight against the wall.

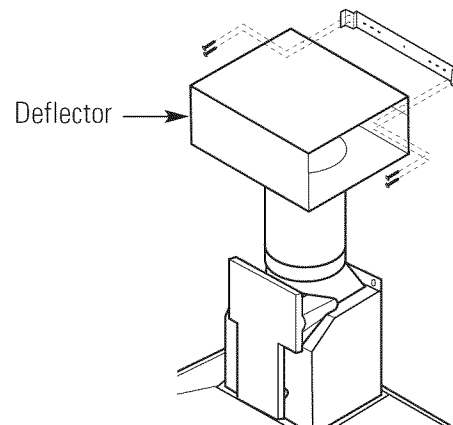


### 5 SIZE AND CUT DUCT PIECE

- Measure from the bottom of the air deflector to the top of the hood as shown. Reduce that dimension by 1" to facilitate installation. The duct will cover and overlap the deflector and the exhaust outlet in the hood.
- Remove the air deflector from the duct cover bracket.



- Cut the duct piece to size and slip onto the bottom of the deflector.
- Place the assembled deflector and duct over the exhaust outlet.
- Hold the assembly against the duct bracket.
- Drive 2 screws into each side of the bottom of the deflector and into the bracket.
- Use duct tape to seal duct to the deflector and at the exhaust outlet.



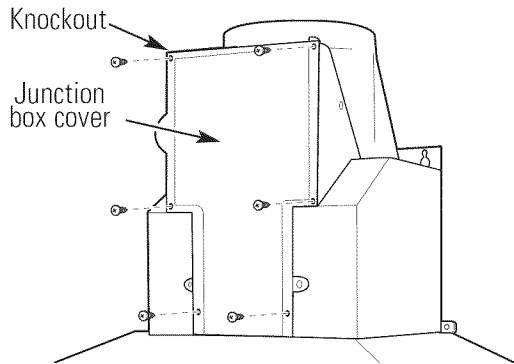
# Installation Instructions

## 6 CONNECT ELECTRICAL

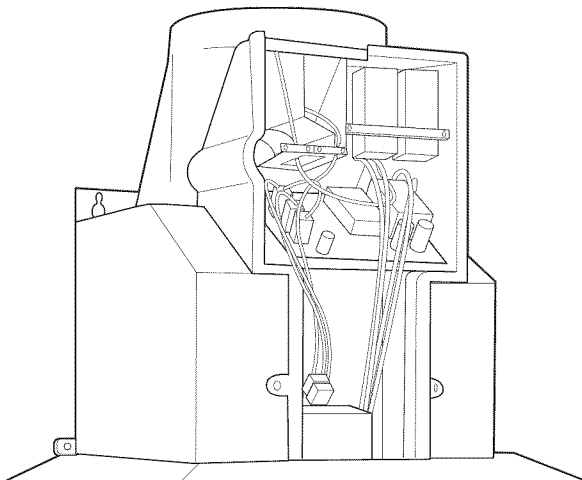
Verify that power is turned off at the source.

**⚠ WARNING:** If house wiring is not 2-wire with a ground wire, a ground must be provided by the installer. When house wiring is aluminum, be sure to use U.L. approved anti-oxidant compound and aluminum-to-copper connectors.

- Remove the 6 screws on the junction box cover and the knockout on the top left side.



- Secure the house wiring to the junction box with a strain relief.



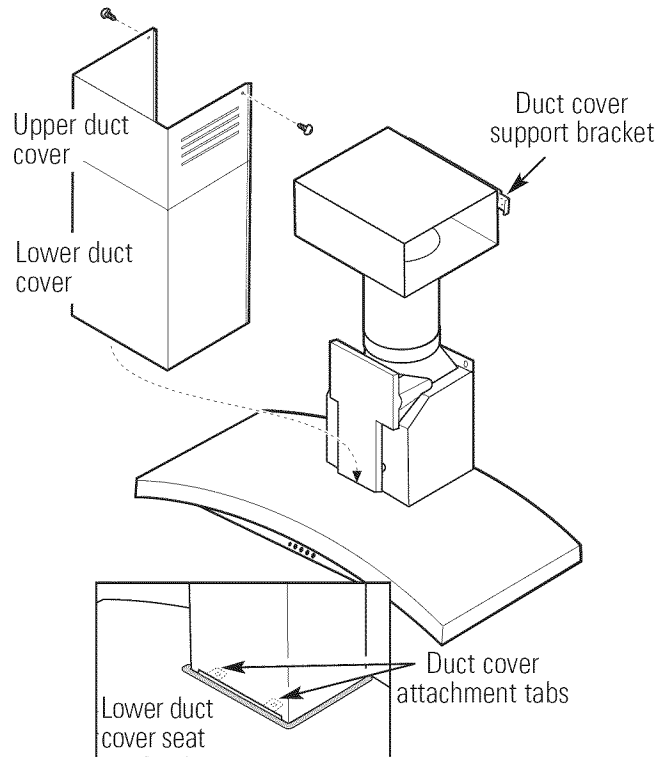
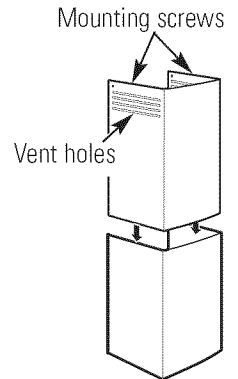
- Connect the white lead to the branch circuit white lead.
- Connect the black lead to the branch circuit black lead.
- Connect the green/yellow lead to the branch circuit green lead or bare ground lead.
- Secure all the connections with wire nuts on each electrical connector.
- Push the wires into the junction box and replace the cover. Be sure the wires are not pinched.
- Secure the junction box cover with the 6 original screws.

## 7 INSTALL DUCT COVERS

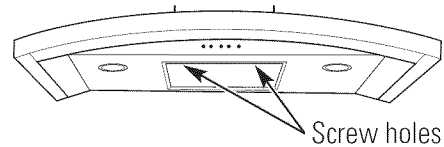
- Remove protective plastic covering.
- Assemble duct covers according to application.

**NOTE:** The upper duct cover has vent holes on one end intended for use when the hood is installed for recirculating purposes. Be sure the vented end is at the top; the vent holes will be visible in this installation. Slide the upper duct cover into the folded ends of the lower duct cover.

- Place the decorative duct covers on top of the hood.



- Extend the inner duct cover upward to the ceiling bracket.
- Secure with 2 screws to the duct cover bracket.



- Remove the packing material from the filter opening.
- Locate the screw holes on the inside front edge of the opening. Install 2 screws to secure the lower duct cover to the hood.

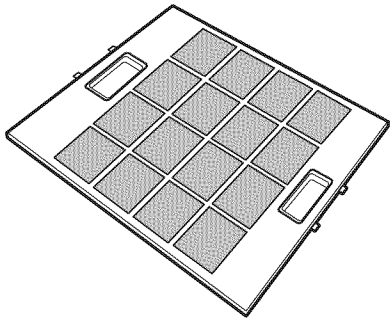
# Installation Instructions

## INSTALLATION—RECIRCULATING

### 8 INSTALL FILTERS

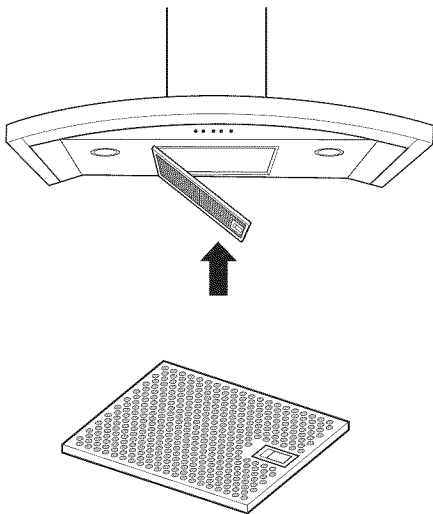
#### Charcoal Filter

Insert the charcoal filter into the opening. Push the latch on both sides toward the center and engage the flange.



#### Metal Grease Filter

- Remove the protective film on the grease filter.
- Fit the tabs at the end of the filter into the slots in left side of the filter opening. Lift up the right side of the filter and push gently until the filter locks into place. Make sure the filter lock is in the closed position to secure the filter.
- To remove the filter, pull downward on the filter lock to release.



### 9 FINALIZE INSTALLATION

- Remove all tape and packaging materials.
- Refer to the Operating Instructions in this manual to operate the hood.

# Before you call for service...



**Troubleshooting Tips**  
 Save time and money! Review the chart below first and you may not need to call for service.

Problem	Possible Causes	What To Do
Fan/Light does not operate when either button is pressed	A house fuse may be blown or a circuit breaker tripped.	<ul style="list-style-type: none"> <li>• Replace fuse or reset circuit breaker.</li> </ul>
Fan does not operate when fan + or - buttons or MEMORY/OFF button is pressed	The blower connector is loose or not plugged into its mating connector.	<ul style="list-style-type: none"> <li>• Disconnect power to the unit. Remove the filters and look up at the blower. If the blower connector plug is loose or you see the connector dangling, the installer failed to plug it in securely. See the <i>Installation Instructions</i> for the plug location and how to plug in the connector.</li> </ul>
Loud or abnormal airflow noise	Wrong duct size used in installation.	<ul style="list-style-type: none"> <li>• This hood requires 8" ducting and a maximum duct length of 100 equivalent feet to perform optimally. Using smaller duct pipe or longer equivalent lengths of duct pipe will cause improper venting. GE service technicians cannot correct this issue if installed improperly.</li> </ul>
Fan fails to circulate air or moves air slower than normal and/or fan is making loud or abnormal airflow noise	Obstructions in duct work.	<ul style="list-style-type: none"> <li>• Make sure nothing is blocking the vent. Make sure your wall or roof cap has a blade or door.</li> </ul>
	Damper blade on wall or roof cap may not be open.	<ul style="list-style-type: none"> <li>• Make sure damper swings freely. Damper blades may flip over and will not fully open when this happens. Adjust to original position.</li> </ul>
	Metal grease filter and charcoal filter (if present) may be dirty.	<ul style="list-style-type: none"> <li>• Clean the metal grease filter and replace charcoal filter (if present). See <i>Care and Cleaning of the Vent Hood</i>.</li> </ul>
The hood controls are not operating correctly	Control logic confused.	<ul style="list-style-type: none"> <li>• Disconnect power to the hood by resetting the circuit breaker. Wait 30 seconds to allow controls to reset.</li> </ul>
Early bulb failure	Replacing bulbs with bare hands.	<ul style="list-style-type: none"> <li>• Replace bulbs while wearing gloves to keep skin oils off bulbs.</li> <li>• Bulb wattage is too high. Replace with correct wattage.</li> </ul>
Hood does not appear to operate when the MEMORY/OFF button is pressed. All collars around the push buttons are illuminated.	The memory feature of this hood has not been set. This is normal.	<ul style="list-style-type: none"> <li>• Follow procedures for setting the MEMORY/OFF button. Adjust the Fan and Light settings to your preference.</li> </ul>

## Before you call for service...



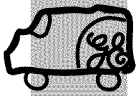
### Troubleshooting Tips

Save time and money! Review the chart below first and you may not need to call for service.

Problem	Possible Causes	What To Do
<i>Fan turned on by itself and is in MED setting. The fan setting can be adjusted but not to OFF.</i>	The heat sensor is activated.	<ul style="list-style-type: none"> <li>This is normal when temperatures below the hood are exceeding the heat sensor limits. Remove the heat source under the hood or wait until the hood cools to appropriate levels. The hood will automatically turn itself off or return to its original setting once the heat sensor detects the temperature has reached a safe condition.</li> </ul>
<i>A collar around a push button is not illuminating when pressed.</i>	Push button may be stuck.	<ul style="list-style-type: none"> <li>Check affected push button and ensure that it is not stuck. Call for service if problem persists.</li> </ul>
<i>Two or more collars around the push buttons are not illuminating when pressed.</i>	Two or more push buttons may be stuck.	<ul style="list-style-type: none"> <li>Check affected push buttons and ensure that they are not stuck. Call for service if problem persists.</li> </ul>
<i>Sequential presses of the LIGHT or FAN buttons will change the setting from lowest setting to OFF, to highest setting, to OFF, to the lowest setting.</i>	This is normal. It is a feature of the hood that the LIGHT and FAN buttons will cycle around through the settings so that you can easily set the controls to your desired setting.	<ul style="list-style-type: none"> <li>No action required.</li> </ul>



# GE Range Hood Warranty.



All warranty service provided by our Factory Service Centers, or an authorized Customer Care® technician. To schedule service on-line, visit us at [ge.com](http://ge.com), or call 800.GE.CARES (800.432.2737). Please have serial number and model number available when calling for service.

Staple your receipt here.  
Proof of the original purchase date is needed to obtain service under the warranty.

## For The Period Of: **GE Will Replace:**

### One Year

From the date of the original purchase

**Any part** of the range hood which fails due to a defect in materials or workmanship. During this **limited one-year warranty**, GE will also provide, **free of charge**, all labor and in-home service to replace the defective part.

## What GE Will Not Cover:

- Service trips to your home to teach you how to use the product.
- Improper installation, delivery or maintenance.
- Failure of the product if it is abused, misused, or used for other than the intended purpose or used commercially.
- Replacement of house fuses or resetting of circuit breakers.
- Damage to the product caused by accident, fire, floods or acts of God.
- Incidental or consequential damage caused by possible defects with this appliance.
- Damage caused after delivery.
- Product not accessible to provide required service.

**EXCLUSION OF IMPLIED WARRANTIES—Your sole and exclusive remedy is product repair as provided in this Limited Warranty. Any implied warranties, including the implied warranties of merchantability or fitness for a particular purpose, are limited to one year or the shortest period allowed by law.**

This warranty is extended to the original purchaser and any succeeding owner for products purchased for home use within the USA. If the product is located in an area where service by a GE Authorized Servicer is not available, you may be responsible for a trip charge or you may be required to bring the product to an Authorized GE Service Location for service. In Alaska, the warranty excludes the cost of shipping or service calls to your home.

Some states do not allow the exclusion or limitation of incidental or consequential damages. This warranty gives you specific legal rights, and you may also have other rights which vary from state to state. To know what your legal rights are, consult your local or state consumer affairs office or your state's Attorney General.

Warrantor: General Electric Company, Louisville, KY 40225

Safety Instructions

Operating Instructions

Care and Cleaning

Troubleshooting Tips

Consumer Support

## Consumer Support.

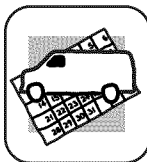
---



### GE Appliances Website

[ge.com](http://ge.com)

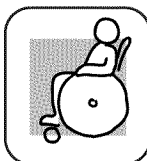
Have a question or need assistance with your appliance? Try the GE Appliances Website 24 hours a day, any day of the year! For greater convenience and faster service, you can now download Owner's Manuals, order parts or even schedule service on-line.



### Schedule Service

[ge.com](http://ge.com)

Expert GE repair service is only one step away from your door. Get on-line and schedule your service at your convenience any day of the year! Or call 800.GE.CARES (800.432.2737) during normal business hours.



### Real Life Design Studio

[ge.com](http://ge.com)

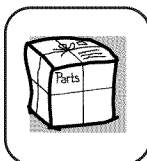
GE supports the Universal Design concept—products, services and environments that can be used by people of all ages, sizes and capabilities. We recognize the need to design for a wide range of physical and mental abilities and impairments. For details of GE's Universal Design applications, including kitchen design ideas for people with disabilities, check out our Website today. For the hearing impaired, please call 800.TDD.GEAC (800.833.4322).



### Extended Warranties

[ge.com](http://ge.com)

Purchase a GE extended warranty and learn about special discounts that are available while your warranty is still in effect. You can purchase it on-line anytime, or call 800.626.2224 during normal business hours. GE Consumer Home Services will still be there after your warranty expires.



### Parts and Accessories

[ge.com](http://ge.com)

Individuals qualified to service their own appliances can have parts or accessories sent directly to their homes (VISA, MasterCard and Discover cards are accepted). Order on-line today, 24 hours every day or by phone at 800.626.2002 during normal business hours.

**Instructions contained in this manual cover procedures to be performed by any user. Other servicing generally should be referred to qualified service personnel. Caution must be exercised, since improper servicing may cause unsafe operation.**



### Contact Us

[ge.com](http://ge.com)

If you are not satisfied with the service you receive from GE, contact us on our Website with all the details including your phone number, or write to:

General Manager, Customer Relations  
GE Appliances, Appliance Park  
Louisville, KY 40225



### Register Your Appliance

[ge.com](http://ge.com)

**Register your new appliance on-line—at your convenience!** Timely product registration will allow for enhanced communication and prompt service under the terms of your warranty, should the need arise. You may also mail in the pre-printed registration card included in the packing material.



# Profile Campanas de ventilación de chimenea

**Instrucciones de Seguridad** ..... 2, 3

**Instrucciones de Operación**  
Controles de la luz ..... 4  
Controles de la ventilación ..... 4

**Cuidado y limpieza**  
Filtros de grasa ..... 5  
Luces de la campana ..... 6  
Superficies de acero inoxidable .. 6

**Instrucciones de instalación**  
Preparación para  
la instalación ..... 7-13  
Ventilación hacia  
el exterior ..... 14-17  
Recirculación ..... 18-22

**Consejos para la identificación y solución de problemas** ..... 23, 24

**Apoyo al cliente**  
Apoyo al cliente ..... 26  
Garantía ..... 25

**Manual del Propietario e Instrucciones de Instalación**

PV970  
PV976

**Escriba los números de modelo y de serie aquí:**

**Modelo #** \_\_\_\_\_

**Serie #** \_\_\_\_\_

Usted puede encontrarlos en una etiqueta ubicada en la parte interna de la campana.

# INFORMACIÓN IMPORTANTE DE SEGURIDAD. LEA TODAS LAS INSTRUCCIONES ANTES DE SU USO.

Instrucciones  
de Seguridad

Instrucciones  
de Operación

Cuidado y Limpieza

Solucionar Problemas

Apoyo al Cliente



## PRECAUCIONES DE SEGURIDAD

**⚠ ADVERTENCIA** – PARA REDUCIR EL RIESGO DE INCENDIO, DESCARGA ELÉCTRICA O LESIONES A PERSONAS, CUMPLA CON LOS SIGUIENTES PUNTOS:

- A. Utilice esta unidad sólo de la manera concebida por el fabricante. Si tiene alguna pregunta, comuníquese con el fabricante.
- B. Antes de realizar reparaciones o limpiar la unidad, desconecte la energía del panel de servicio y bloquee los medios de desconexión para evitar el accionamiento de la energía de manera accidental. Cuando los medios de desconexión de servicio no pueden bloquearse, coloque sobre el panel de servicio un dispositivo de advertencia bien visible, como una etiqueta.
- C. No utilice esta unidad con ningún dispositivo de control de velocidad de estado sólido.
- D. Esta unidad debe contar con conexión a tierra.

**⚠ PRECAUCIÓN** – Sólo para ventilación general. No lo utilice para ventilar materiales o vapores peligrosos o explosivos.

**⚠ PRECAUCIÓN** – Para reducir el riesgo de incendio y para eliminar el aire de escape correctamente, asegúrese de dirigir el aire del conducto hacia el exterior. No ventile el aire de escape en espacios dentro de paredes o cielorrasos o en áticos, huecos sanitarios o garajes.

**⚠ ADVERTENCIA** – PARA REDUCIR EL RIESGO DE LESIONES A PERSONAS SI SE PRODUCE UN INCENDIO DE GRASA EN LA ESTUFA, CUMPLA CON LOS SIGUIENTES PUNTOS\*:

- A. APAGUE LAS LLAMAS con una tapa que ajuste bien, una plancha para galletas o bandeja de metal, y luego apague el quemador. TENGA CUIDADO A FIN DE EVITAR QUEMADURAS. Si las llamas no se apagan de inmediato, SALGA DE LA VIVIENDA Y LLAME AL DEPARTAMENTO DE BOMBEROS.
- B. NUNCA LEVANTE UNA SARTÉN EN LLAMAS— Usted puede quemarse.
- C. NO UTILICE AGUA, incluyendo repasadores o toallas húmedos—se provocará una violenta explosión de vapor.
- D. Utilice un extintor SÓLO si:
  1. Usted sabe que cuenta con un extintor Clase ABC y ya sabe cómo utilizarlo.
  2. El incendio es pequeño y se contuvo en el área donde comenzó.
  3. Se está llamando al departamento de bomberos.
  4. Usted puede combatir el incendio con su espalda apuntando hacia una salida.

\* Basado en "Consejos de seguridad sobre incendio en la cocina" publicado por NFPA.



## PRECAUCIONES DE SEGURIDAD

### **⚠️ ADVERTENCIA** – PARA REDUCIR EL RIESGO DE UN INCENDIO DE GRASA SOBRE UNA ESTUFA:

- A. Nunca deje unidades de superficie desatendidas en configuraciones de calor elevadas. Los alimentos que hierven y se derraman provocan humo y derrames grasosos que pueden prenderse fuego. Caliente los aceites lentamente en configuraciones bajas o medias.
- B. Siempre encienda (**ON**) la campana cuando cocine con configuraciones elevadas o cuando flambee alimentos (por ej., Crepes Suzette, cerezas Jubilee, carne flambeada a la pimienta en grano).
- C. Limpie los ventiladores con frecuencia. No debe permitirse la acumulación de grasa en el ventilador o en el filtro.
- D. Utilice el tamaño de recipiente adecuado. Siempre utilice recipientes de cocción apropiados para el tamaño del elemento de superficie.

### **⚠️ ADVERTENCIA** – PARA REDUCIR EL RIESGO DE INCENDIO, DESCARGA ELÉCTRICA O LESIONES A PERSONAS, CUMPLA CON LOS SIGUIENTES PUNTOS:

- A. El trabajo de instalación y el cableado eléctrico deben realizarlo personas calificadas en cumplimiento con todos los códigos y normas aplicables, incluyendo construcción con clasificación para incendios.
- B. Se necesita suficiente aire para una combustión y escape de gases adecuados a través de la ventilación (chimenea) de equipamiento de combustión de combustible para evitar la contracorriente. Siga las pautas y normas de seguridad de fabricante del equipamiento de calefacción, tales como las publicadas por la Asociación Nacional de Protección contra Incendios (NFPA), la Sociedad Estadounidense de Ingenieros en Calefacción, Refrigeración y Aire Acondicionado (ASHRAE) y las autoridades de códigos locales.
- C. Cuando realice cortes o perforaciones dentro de paredes o cielorrasos, no dañe el cableado eléctrico y otros servicios públicos ocultos.
- D. Los sistemas de conductos siempre deben contar con una salida al exterior.

### **⚠️ ADVERTENCIA** – PARA REDUCIR EL RIESGO DE INCENDIO, SÓLO UTILICE CONDUCTOS DE METAL.

- No intente reparar o cambiar ninguna pieza de su campana a menos que esté específicamente recomendado en este manual. Cualquier otro servicio debe realizarlo un técnico calificado.



LEA Y SIGA ESTA INFORMACIÓN DE SEGURIDAD CUIDADOSAMENTE.

**LEA Y GUARDE ESTAS INSTRUCCIONES**

Instrucciones  
de Seguridad

Instrucciones  
de Operación

Cuidado y Limpieza

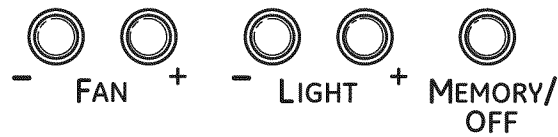
Solucionar Problemas

Apoyo al Cliente

## Cómo usar los controles de la campana.



Profile



3

2

1

- 1** **MEMORY/OFF** (memoria/apagado). Para configurar la memoria:

  - A. Presione el botón **MEMORY/OFF**.
  - B. Ingrese las configuraciones deseadas de ventilación y de luz.
  - C. Presione el botón **MEMORY/OFF** de nuevo para guardar estas configuraciones.

Con sus configuraciones deseadas en la memoria, presione el botón **MEMORY/OFF** para restablecer los niveles de ventilación y de luz a sus configuraciones guardadas. Estas configuraciones permanecerán en la memoria hasta que se modifiquen u ocurra un corte de energía.

**Para apagar la campana, presione el botón MEMORY/OFF.**
- 2** **LIGHT** (luz). Presione + o - para subir o bajar el nivel de luz hasta la configuración deseada. Hay dos niveles de luz (**LOW** [bajo], **HIGH** [alto]) y **OFF** (apagado). Si continúa presionando los botones + o -, la luz se desplazará a través de las configuraciones.

**NOTA:** Controle que sólo se instalen bombillas de 20 vatios (máximo).
- 3** **FAN** (ventilador). Presione + o - para subir o bajar el nivel del ventilador hasta la configuración deseada. Hay 4 niveles de ventilación (**LOW**, **MED** [medio], **HIGH**, **BOOST** [impulso]) y **OFF**. Si continúa presionando los botones + o -, el ventilador se desplazará a través de las configuraciones.

**NOTA:** Puede oírse un pitido cada vez que se presiona un botón. Esto es normal.

**NOTA:** Los collarines ubicados alrededor de los botones se iluminan cuando se presionan los botones. Esto es normal. Los collarines se apagan en forma automática cuando se apaga la campana.

### SENSOR DE CALOR:

Esta campana cuenta con un sensor de calor que enciende el ventilador si se detectan temperaturas excesivas (más de 70 °C/158 °F) sobre la superficie de cocción. La campana volverá a su funcionamiento normal una vez que el sensor de calor detecte temperaturas por debajo de 60 °C/140 °F.

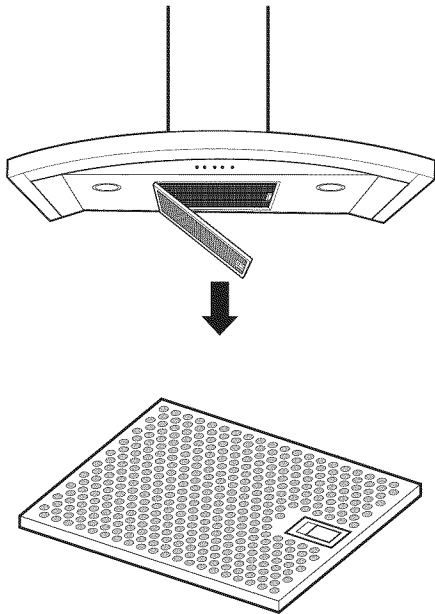
**NOTA:** Si la campana está **OFF** o en una velocidad de ventilación **LOW**, se detectan temperaturas por encima de 70 °C/158 °F; luego el ventilador se ajustará automáticamente a la velocidad **MED**. Usted puede ajustar la velocidad de ventilación a **HIGH** o **BOOST**, pero no podrá ajustar la velocidad del ventilador a **LOW** o **OFF** hasta que se detecten temperaturas por debajo de 60 °C/140 °F.

**NOTA:** Los collarines ubicados alrededor de los botones pueden no iluminarse si se activa el sensor de calor. Esto es normal.

# Cuidado y limpieza de la campana de ventilación.

ge.com

Asegúrese de que la energía eléctrica esté apagada y que todas las superficies estén frías antes de limpiar o arreglar cualquier pieza de la campana de ventilación.



## Filtro de grasa metálico

El filtro metálico atrapa la grasa liberada por los alimentos desde la estufa. El filtro también ayuda a evitar que las llamas (de los alimentos, grasa) dañen la parte interna de la campana.

Por esta razón, el filtro debe estar SIEMPRE en su lugar cuando la campana esté en funcionamiento. El filtro de grasa es apto para lavavajillas y debe limpiarse cada 6 meses, o según sea necesario.

### Para quitar:

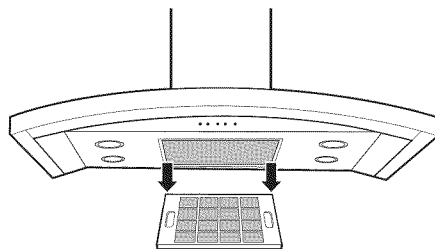
Tire hacia abajo la traba del filtro para liberarlo.

### Para volver a colocar:

Coloque las lengüetas del extremo del filtro dentro de las ranuras del lado izquierdo de la abertura del filtro. Levante el lado derecho del filtro y presione ligeramente hasta que el filtro se trabe en su lugar. Verifique que la traba del filtro se encuentre en la posición cerrada para asegurar el filtro.

**Para limpiar** el filtro, utilice agua jabonosa caliente y enjuague con agua limpia o lávelo en el lavavajillas. No utilice productos de limpieza abrasivos.

**NOTA:** En el lavavajillas se producirá una leve decoloración.



## Filtro de carbón (sólo para instalación con recirculación)

Si el modelo no tiene ventilación al exterior, el aire se recirculará a través de un filtro de carbón desechable que ayuda a remover humo y olores.

El filtro de carbón debe cambiarse cuando esté evidentemente sucio o decolorado (usualmente después de 6 a 12 meses, dependiendo del uso de la campana).

**NOTA:** NO enjuague o coloque el filtro de carbón en el lavavajillas automático.

**El filtro de carbón no puede limpiarse. Debe cambiarse.**

**Solicite el filtro de carbón WB02X11348.**

Para consultar sobre la compra de filtros de carbón de repuesto o para encontrar la ubicación del distribuidor más cercano a su domicilio, llame a nuestro número gratuito:

**Centro nacional de piezas  
800.626.2002**

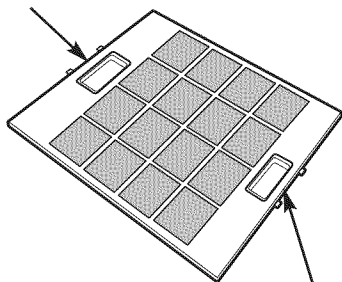
### Para quitar:

1. Quite el filtro metálico—ver la sección *Filtro de grasa metálico*.
2. Quite el filtro de carbón presionando sobre las dos manijas de las lengüetas de bloqueo.

### Para volver a colocar:

1. Introduzca el filtro de carbón dentro de la abertura. Presione las manijas de las lengüetas de bloqueo hacia el centro y libérelas para sujetar las lengüetas de bloqueo.
2. Vuelva a colocar el filtro metálico—ver la sección *Filtro de grasa metálico*.

Manija de la lengüeta de bloqueo



Manija de la lengüeta de bloqueo

Instrucciones de Seguridad

Instrucciones de Operación

Cuidado y Limpieza

Solucionar Problemas

Apoyo al Cliente

## Cuidado y limpieza de la campana de ventilación.

Asegúrese de que la energía eléctrica esté apagada y que todas las superficies estén frías antes de limpiar o arreglar cualquier pieza de la campana de ventilación.

### Superficies de acero inoxidable

**No utilice almohadillas de acero porque rayan la superficie.**

Para limpiar la superficie de acero inoxidable, utilice agua tibia jabonosa o un limpiador o lustrador de acero inoxidable. Siempre limpie la superficie en dirección de la veta. Siga las instrucciones del producto para limpiar la superficie de acero inoxidable.

Para consultar sobre la compra de limpiadores o lustradores de aparatos de acero inoxidable, o para encontrar la ubicación del distribuidor más cercano, llame a nuestro número gratuito:

**Centro nacional de piezas**  
**800.626.2002**

**ge.com**

### Bombillas de luz

#### ⚠ PRECAUCIÓN:

Antes de tocarlas, espere a que las bombillas se enfríen.

**Para cambiar las bombillas de luz:**

1. Quite la tapa de la bombilla introduciendo un destornillador plano dentro de las tres ranuras y liberándolas con cuidado.

**NOTA:** No quite el anillo exterior (montaje de la bombilla).

2. Utilice guantes. No toque la bombilla con las manos desnudas. Los aceites de la piel pueden provocar una falla temprana de la bombilla.

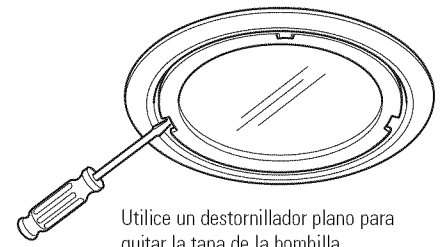
3. Tome la bombilla y quítele directamente hacia afuera.

4. Coloque una bombilla de repuesto del mismo vataje. Si el vataje es muy elevado pueden producirse daños prematuros de la bombilla o daños o fallas en el transformador.

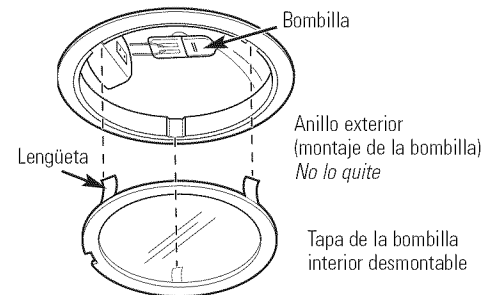
Estas bombillas halógenas de **12 voltios, 20 vatios** con una base G4 se encuentran disponibles en tiendas especializadas en iluminación y centros de construcción.

Para solicitar una bombilla de repuesto N° **WB01X10239**, comuníquese con el Centro nacional de piezas GE al 800.626.2002 o adquiérala en su minorista local.

5. Vuelva a colocar la tapa de la bombilla introduciendo las tres lengüetas de retención dentro de las tres ranuras y presionando firmemente en su lugar.



Utilice un destornillador plano para quitar la tapa de la bombilla.



**NOTA:** Asegúrese de que las lengüetas estén colocadas en las ranuras.



# Instrucciones de instalación

# Campanas de ventilación de chimenea

? ¿Preguntas? Llame al 800.GE.CARES (800.432.2737) o visite nuestro sitio Web en: [ge.com](http://ge.com)

## ANTES DE COMENZAR

Lea estas instrucciones por completo y con detenimiento.

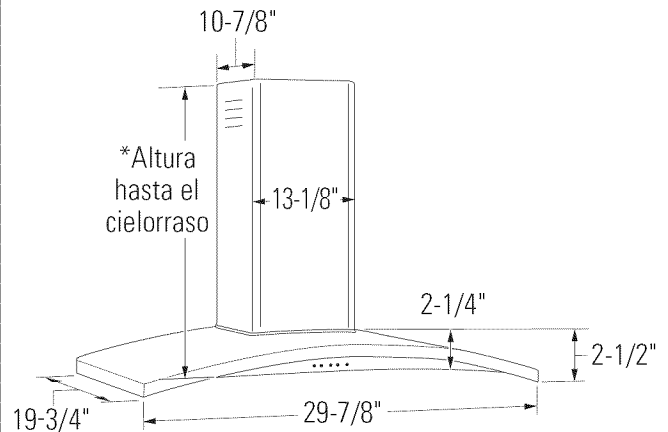
- **IMPORTANTE** — Guarde estas instrucciones para el uso de inspectores locales.
- **IMPORTANTE** — Cumpla con todos los códigos y ordenanzas vigentes.
- **Nota al instalador** — Asegúrese de dejar estas instrucciones con el Consumidor.
- **Nota al consumidor** — Conserve estas instrucciones para referencia futura.
- **Nivel de capacidad** — La instalación de esta campana de ventilación requiere capacidades mecánicas y eléctricas básicas.
- **Tiempo de finalización** — Aproximadamente de 1 a 3 horas.
- El instalador tiene la responsabilidad de efectuar una instalación adecuada.
- La Garantía no cubre las fallas del producto debido a una instalación incorrecta.

**⚠ PRECAUCIÓN** — Debido al peso y tamaño de estas campanas de ventilación y para reducir el riesgo de lesiones personales o daños al producto, **SE NECESITAN DOS PERSONAS PARA REALIZAR UNA INSTALACIÓN CORRECTA.**

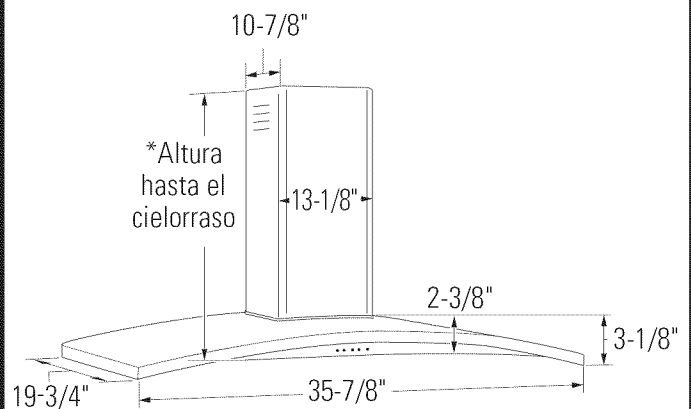
## PARA SU SEGURIDAD:

**⚠ ADVERTENCIA** — Antes de comenzar la instalación, desconecte la energía del panel de servicio y bloquee los medios de desconexión para evitar el accionamiento de la energía de manera accidental. Cuando los medios de desconexión de servicio no pueden bloquearse, coloque sobre el panel de servicio un dispositivo de advertencia bien visible, como una etiqueta.

## DIMENSIONES DEL PRODUCTO

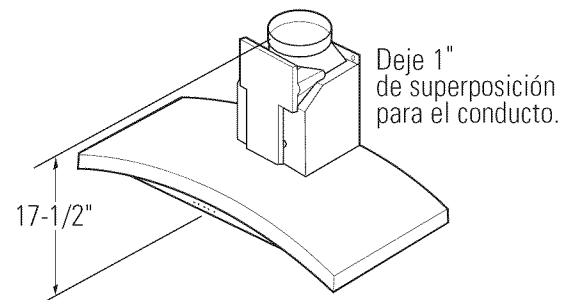


Los modelos de 30" requieren una abertura de 30" de ancho



Los modelos de 36" requieren una abertura de 36" de ancho

\* Para las alturas del cielorraso de las cubiertas del conducto provistas para instalación ventilada e instalación con recirculación, consulte la tabla de la página 13.



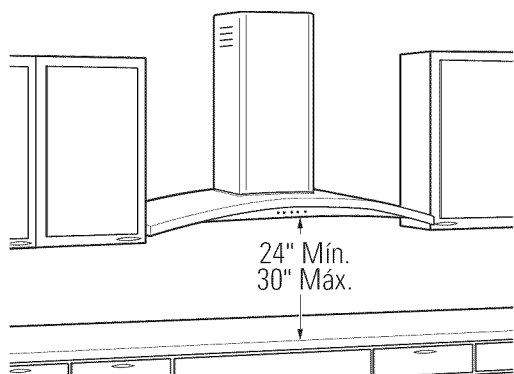
# Preparación para la instalación

## PREPARACIÓN PARA INSTALAR LA CAMPANA

### ESPACIO DE INSTALACIÓN

Estas campanas de ventilación están diseñadas para instalarse sobre una pared. Pueden instalarse debajo de un sofíto o gabinete.

- Instale estas campanas de 24" mínimo o 30" máximo sobre la superficie de cocción.



La campana de ventilación debe instalarse a un mín. de 24" y un máx. de 30" sobre la superficie de cocción. La altura de instalación de la campana sobre la superficie de cocción depende de la altura del cielorraso y las limitaciones de la cubierta del conducto. La cubierta plegable oculta los conductos que van desde la parte superior de la campana hasta el cielorraso. Para las alturas de cielorraso de las cubiertas de conductos, consulte la tabla de la página 13.

Kit de recirculación:

El kit incluye 1 deflector de aire y 1 filtro de carbón y se incluye con la campana.

**NOTA:** La altura de instalación debe medirse desde la superficie de cocción hasta la parte más baja de la campana. Esta campana puede instalarse sobre una pared y ventilarse hacia el exterior, o puede instalarse para que realice una operación de recirculación. Para la operación de recirculación, se requiere un kit de recirculación (incluido).

### PLANIFICACIÓN PREVIA

#### Planificación de conductos

- Esta campana está diseñada para ventilarse en forma vertical a través del cielorraso. Se suministra una pieza de transición de conductos para escape vertical. Utilice codos suministrados en forma local para ventilación horizontal a través de la pared trasera. Ver página 10.
- Determine la ubicación exacta de la campana de ventilación.
- Planifique el recorrido de la salida de ventilación hacia el exterior.
- Utilice el recorrido de conductos más corto y más recto posible. Para un desempeño satisfactorio, el recorrido de los conductos no debe superar una longitud equivalente a los 100 pies para ninguna configuración de conductos.
- Consulte la tabla "Accesorios de conductos" para calcular la longitud máxima permisible para recorridos de conductos hacia el exterior.
- Sólo use conductos de metal.
- Se suministra una pieza de transición para conductos redondos de 8". Utilice un conducto redondo de 8".
- Instale una cubierta de pared o casquete de techo con un regulador de tiro en la abertura exterior. Solicite por adelantado la cubierta de pared o el casquete de techo y cualquier transición o longitud de conducto necesarios.

#### Armazones de pared para un soporte adecuado

- Esta campana de ventilación es pesada. Debe contarse con un soporte estructural adecuado. Esta campana debe fijarse a columnas verticales en la pared. Ver página 14.
- Recomendamos enfáticamente que la campana de ventilación con cubierta del conducto se encuentre en el lugar antes de colocar los armazones y efectuar el acabado de la pared. Esto también ayudará a ubicar con precisión los conductos y el servicio eléctrico.

## SUMINISTRO DE ENERGÍA

**IMPORTANTE** – *(Tenga a bien leer cuidadosamente)*

### **⚠ ADVERTENCIA:**

PARA SEGURIDAD PERSONAL, ESTE APARATO DEBE CONECTARSE A TIERRA DE MANERA ADECUADA.

Quite el fusible o abra el interruptor de circuitos antes de comenzar la instalación.

No utilice un cable de extensión o un enchufe adaptador con este artefacto. Siga los Códigos Eléctricos Nacionales o códigos y ordenanzas locales vigentes.

### **Suministro eléctrico**

Estas campanas de ventilación deben contar con un suministro de 120V, 60Hz, deben estar conectadas a un circuito derivado individual con una adecuada conexión a tierra y deben contar con la protección de un interruptor de circuitos o un fusible con retraso de 15 o 20 amperios.

- El cableado debe ser de 2 hilos con conexión a tierra.
- Si el suministro eléctrico no cumple con los requisitos anteriores, llame a un electricista con licencia antes de continuar.
- Dirija el cableado doméstico lo más cerca posible a la ubicación de la instalación, en el cielorraso o pared trasera. Ver página 14 para más detalles.
- Conecte el cableado al cableado doméstico en cumplimiento con los códigos locales.

### **Instrucciones de conexión a tierra**

El conductor a tierra debe conectarse a un metal con conexión a tierra, un sistema de cableado permanente o una terminal o conductor de conexión a tierra del equipamiento en la campana.

**⚠ ADVERTENCIA:** Una conexión inadecuada del conductor de conexión a tierra del equipamiento puede provocar un riesgo de descarga eléctrica. Consulte a un electricista calificado o representante de servicio técnico si tiene dudas sobre la correcta conexión a tierra del artefacto.

# Preparación para la instalación

## ACCESORIOS PARA CONDUCTOS

**Esta campana debe usar un conducto redondo de 8". Puede conectarse a un conducto de 3-1/4" x 12".**

Utilice esta tabla para calcular las longitudes máximas permitidas para recorridos de conductos hacia el exterior.

**NOTA:** ¡No supere las longitudes equivalentes máximas permitidas!


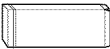
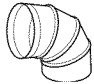
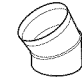
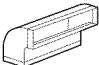
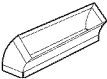
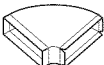


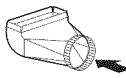
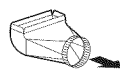
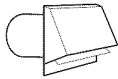
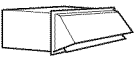

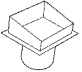
**Longitud máxima de conducto: 100 pies.**

### Conductos flexibles:

Si se utilizan conductos flexibles de metal, todos los valores equivalentes en pies de la tabla deben duplicarse. El conducto flexible de metal debe ser recto y liso y debe extenderse lo máximo posible.

NO USE conductos flexibles de plástico.

**NOTA:** Cualquier sistema de ventilación doméstico, como una campana de ventilación, puede interrumpir el flujo adecuado de aire de combustión y de escape requerido para chimeneas, hornos a gas, calentadores de agua a gas y otros sistemas de ventilación natural. Para minimizar las posibilidades de interrupción de tales sistemas de ventilación natural, siga las pautas y normas de seguridad del fabricante del equipamiento de calefacción, tales como las publicadas por NFPA y ASHRAE.

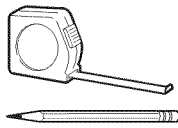
Pieza de conducto	Dimensiones	Longitud equivalente*	Cantidad utilizada	Longitud equivalente total
	Redondo y recto de 8"	1 pie recto (por longitud de pie)		
	Recto de 3-1/4" x 12"	1 pie recto (por longitud de pie)		
	Codo de 90° de 8"	17 pies		
	Codo de 45° de 8"	10 pies		
	Codo de 90° de 3-1/4" x 12"	43 pies		
	Codo de 45° de 3-1/4" x 12"	26 pies		
	Codo plano de 90° de 3-1/4" x 12"	102 pies		
	Redondo de 8" a transición de 3-1/4" x 12"	2 pies		
	3-1/4" x 12" a transición redonda de 7"	5 pies		
	Redondo de 8" a codo de 90° de transición de 3-1/4" x 12"	6 pies		
	3-1/4" x 12" a codo de 90° de transición redondo de 8"	13 pies		
	Cubierta de pared redonda de 8" con regulador de tiro	32 pies		
	Cubierta de pared de 3-1/4" x 12" con regulador de tiro	75 pies		
	Casquete de techo redondo de 8"	44 pies		
	Ventilación de techo redonda	24 pies		

\*Longitud real del conducto recto más equivalente de accesorio de conducto. La longitud equivalente de las piezas de conductos se encuentra basada en pruebas reales realizadas por el grupo de Ingeniería de Evaluación de GE y reflejan los requisitos para un buen desempeño de ventilación con cualquier campana de ventilación.

Recorrido total de los conductos \_\_\_\_\_

# Preparación para la instalación

## HERRAMIENTAS Y MATERIALES REQUERIDOS (NO SUMINISTRADOS)



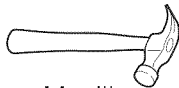
Lápiz y cinta métrica



Gafas de seguridad



Nivel de burbuja de aire



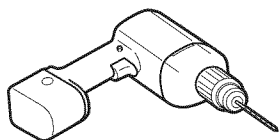
Martillo



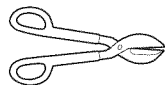
Destornillador de estrella



Linterna



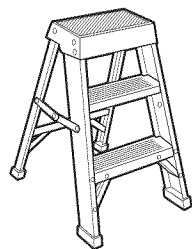
Perforadora eléctrica con brocas de 3/16", de estrella N° 2 y cabeza plana



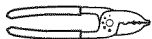
Tijeras para metal



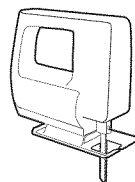
Alicates



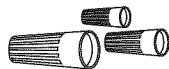
Escalera



Alicate pelacables



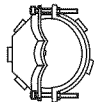
Sierra sable o serrucho de calar



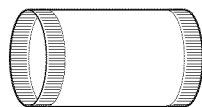
Tapones de alambre aprobados por UL



Cinta aislante de aluminio



Alivio de tensión para la caja de conexiones



Conducto de metal redondo de 8", longitud suficiente para la instalación



Cable de 120V, 60Hz 15 o 20 amperios de 2 hilos con circuito derivado con conexión a tierra

## QUITE EL ENVOLTORIO

**▲ PRECAUCIÓN:** Se guantes para protegerse de los bordes afilados.


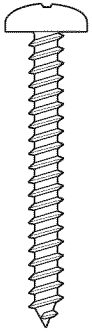
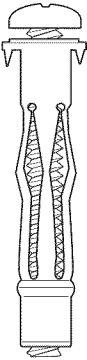
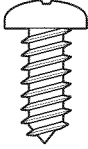
- Quite las cubiertas de los conductos.
- Quite la bolsa de piezas, el paquete de instrucciones y otras piezas en cajas.
- Quite y descarte adecuadamente el envoltorio plástico de protección y otros materiales de empaque.
- Quite la espuma de empaque de la parte trasera del ventilador.

# Preparación para la instalación

## CONTROLE LAS PIEZAS DE INSTALACIÓN

Ubique el paquete de hardware embalado con la campana y verifique los contenidos.

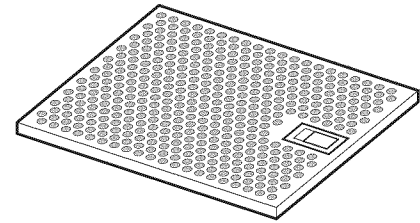
**PAQUETE DE HARDWARE**  
Ubique y cuente los tornillos

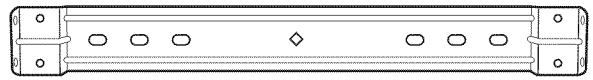
6 tornillos para madera (N°10 de 1-3/4" de longitud)

4 sujeciones de pared (5/16") (Tornillo con anclajes de pared)

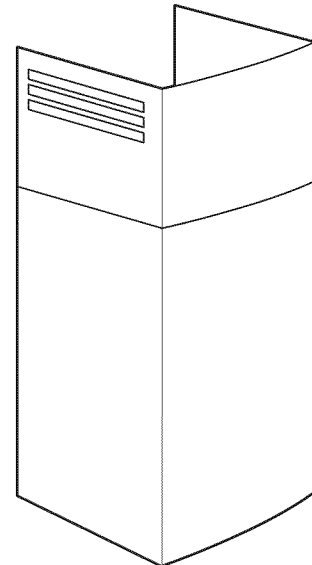
8 tornillos para cubierta de conductos y deflector de aire (Tornillo autorroscantes por deformación N°8 de 3/8" de largo)



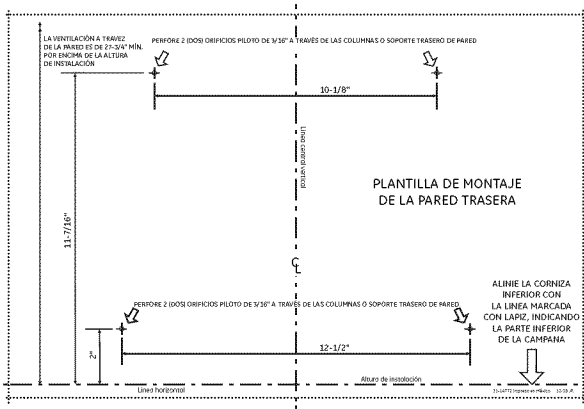
Filtro de acero inoxidable



Soporte de cubierta de conducto

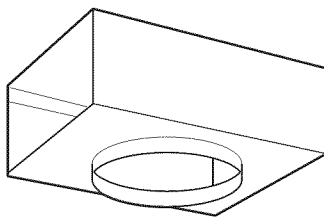


Cubierta de conducto decorativa de 2 piezas

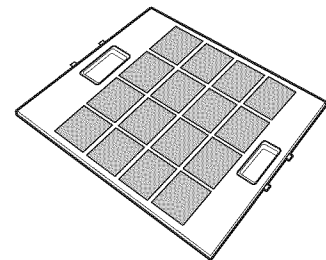


Plantilla para montaje en la pared

## KIT DE RECIRCULACIÓN (Incluido)



Deflector de aire

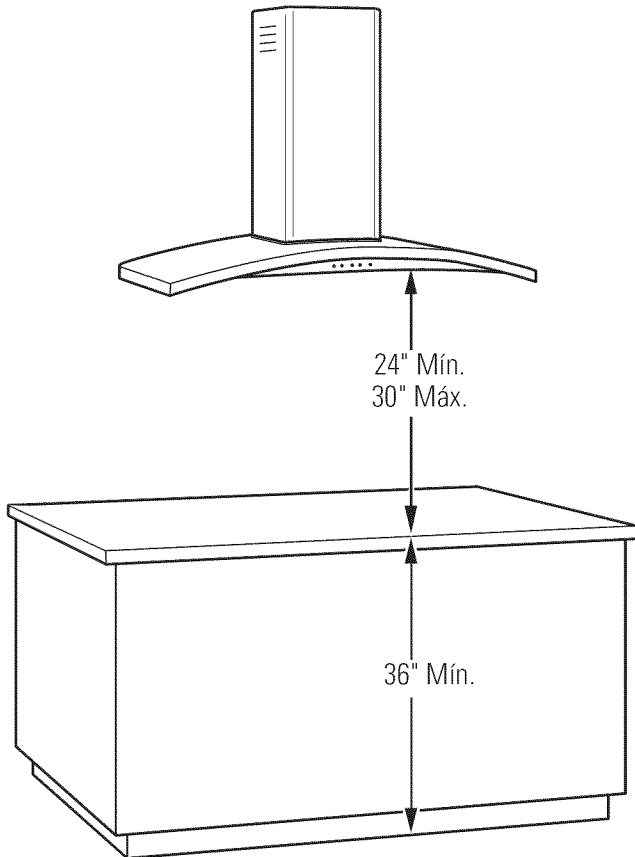


Filtro de carbón

# Preparación para la instalación

## DETERMINE LA ALTURA DE INSTALACIÓN

- Se ofrecen cubiertas plegables para ocultar los conductos que se extienden hasta el cielorraso.
- Esta campana puede instalarse para una operación de recirculación. Se incluye un kit de recirculación con la campana.



**NOTA:** La altura de instalación debe medirse desde la superficie de cocción hasta la parte recta de la campana.

La campana de ventilación debe instalarse a un mín. de 24" y un máx. de 30" sobre la superficie de cocción. La altura de instalación de la campana, desde la superficie de cocción hasta la parte más baja de la campana, depende de la altura del cielorraso y de las limitaciones de la cubierta del conducto.

PV970, PV976

Cubierta de conducto superior		25.81
Cubierta de conducto inferior		27.56
Mostrador hasta la altura de la campana		
Altura real del cielorraso	*Altura de instalación posible CON VENTILACIÓN	*Altura de instalación posible CON RECIRCULACIÓN
7' 11"	24" a 30"	24"
8' 0"	24" a 30"	24" a 25"
8' 1"	24" a 30"	24" a 26"
8' 2"	24" a 30"	24" a 27"
8' 3"	24" a 30"	24" a 28"
8' 4"	24" a 30"	24" a 29"
8' 5"	24" a 30"	24" a 30"
8' 6"	24" a 30"	24" a 30"
8' 7"	24" a 30"	24" a 30"
8' 8"	24" a 30"	24" a 30"
8' 9"	24" a 30"	24" a 30"
8' 10"	24" a 30"	24" a 30"
8' 11"	24" a 30"	24" a 30"
9' 0"	24" a 30"	24" a 30"
9' 1"	24" a 30"	24" a 30"
9' 2"	25" a 30"	24" a 30"
9' 3"	26" a 30"	24" a 30"
9' 4"	27" a 30"	24" a 30"
9' 5"	28" a 30"	24" a 30"
9' 6"	29" a 30"	24" a 30"
9' 7"	30"	25" a 30"
9' 8"		26" a 30"
9' 9"		27" a 30"
9' 10"		28" a 30"
9' 11"		29" a 30"
10' 0"		30"
10' 1"		
10' 2"		
10' 3"		

\*Basado en una altura de mostrador de encimera de 36".

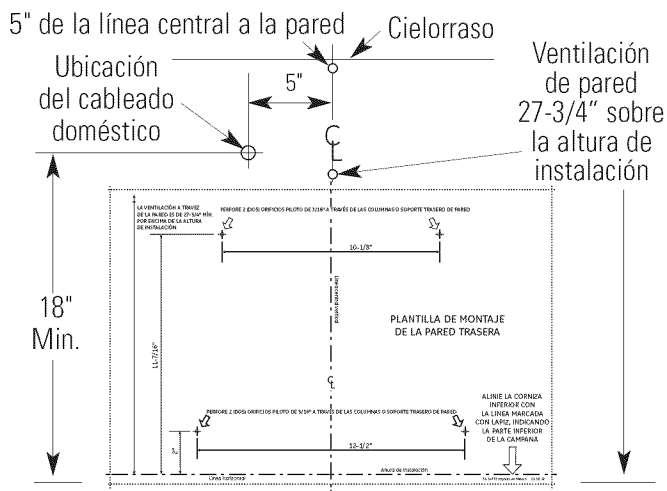
# Instrucciones de instalación

## INSTALACIÓN—VENTILACIÓN HACIA EL EXTERIOR

### UBICACIONES DE LOS CONDUCTOS Y CABLEADO

Determine la ubicación exacta de la campana de ventilación.

- Ubique la plantilla embalada con las instrucciones.
  - Mida 36" desde el piso hasta el extremo superior de la superficie de cocción. Agregue la altura de instalación de la campana determinada en las páginas 8 y 13. Marque esa ubicación.
  - **Utilice un nivel para dibujar una línea recta en lápiz sobre la pared.**
  - Adhiera con cinta la plantilla en su posición a lo largo de la línea de lápiz. **ASEGURESE DE QUE LA PLANTILLA ESTÉ NIVELADA.**



### Conductos en el cielorraso:

Si el conducto se ventilará directamente hacia el cielorraso:

- Utilice un nivel para dibujar una línea hacia arriba, desde la línea central de la plantilla hasta el cielorraso.
- Mida 5" desde la pared trasera hasta la línea central de un orificio de 8-1/2" en el cielorraso.

**NOTA:** Si no hay paredes de construcción en seco, agregue el espesor de las mismas a la dimensión de 5".

### Conductos en la pared:

Si el conducto se ventilará hacia la parte trasera:

- Utilice un nivel para dibujar una línea hacia arriba, desde la línea central de la plantilla.
- Mida por lo menos 27-3/4" sobre la línea de lápiz que indica la altura de instalación inferior, hasta la línea central de un orificio de conducto de diámetro de 8-1/2". (El orificio puede ser alargado para un codo de conducto.)

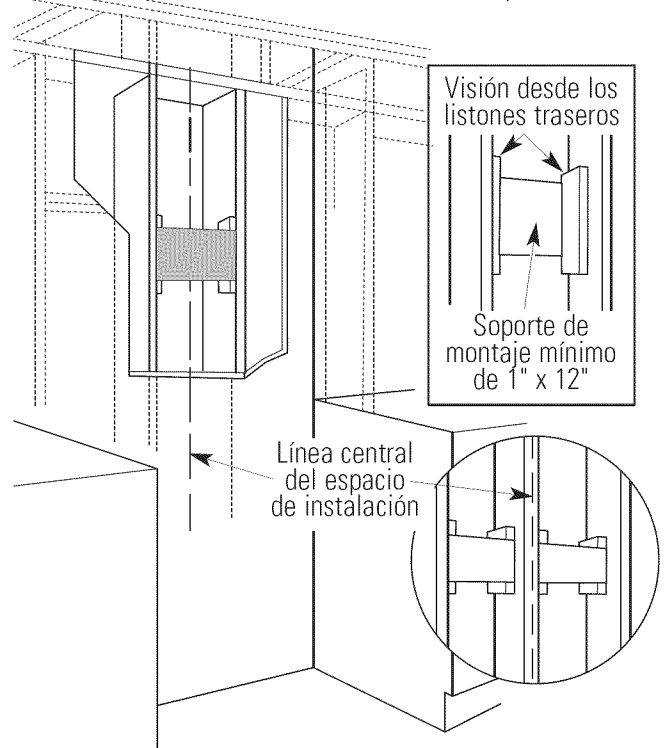
### UBICACIÓN DEL CABLEADO DOMÉSTICO:

- La caja de conexiones se encuentra en el lado superior izquierdo de la campana.
- El cableado debe ingresar por la pared trasera por lo menos 18" por encima del extremo inferior de la campana, y dentro de 5" del lado izquierdo de la línea central.

### 1 INSTALE EL ARMAZÓN PARA EL SOPORTE DE LA CAMPANA

**IMPORTANTE** – El armazón debe poder soportar 100 lbs.

Abertura mínima de 8-1/2" para conductos



Si se cuenta con paredes de construcción en seco, marque las ubicaciones de los orificios para tornillos para los soportes de montaje superiores. Quite la plantilla.

- Corte suficiente pared de construcción en seco para exponer 2 columnas verticales en la ubicación de soporte indicada en la plantilla.
- Instale un soporte horizontal por lo menos 1" x 12" entre dos columnas de pared en la ubicación de tornillo de montaje. **El soporte horizontal debe encontrarse alineado con el lado de la habitación de las columnas.** Utilice listones detrás de ambos lados del soporte para sujetar a las columnas de pared.

**NOTA:** Se necesitarán 2 soportes horizontales si hay una columna ubicada entre las ubicaciones de tornillo horizontal (ver figura).

**IMPORTANTE:** Vuelva a instalar la pared de construcción en seco para lograr una superficie de montaje pareja.

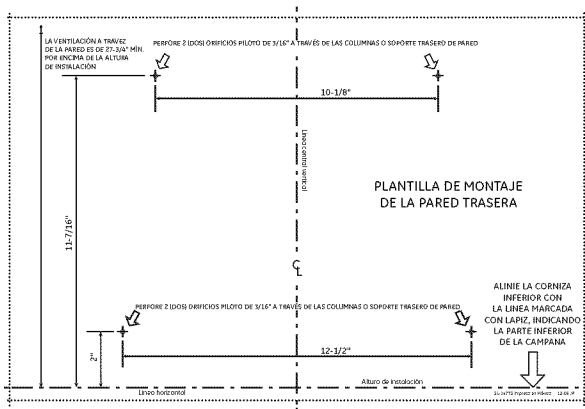


# Instrucciones de instalación

## 2 INSTALE LOS TORNILLOS DE MONTAJE DE LA CAMPANA

Los dos tornillos de montaje superiores deben ingresar en el soporte horizontal o en las columnas de pared.

- Con la plantilla adherida con cinta en su lugar, utilice una perforadora para marcar las ubicaciones de los tornillos del soporte de montaje.
- Perfore orificios piloto de 1/8" en 4 de las ubicaciones perforadas en el soporte inferior. Si los 2 orificios piloto inferiores no entran en la madera, agrande los orificios a 3/8" e instale anclajes de pared de metal (provistos).
- Quite la plantilla.



- Instale los 2 tornillos de montaje superiores, deje un espacio de 1/4" entre la cabeza del tornillo y la pared. Esto permitirá que la ranura del orificio del armazón de la campana se enganche con la cabeza del tornillo.

**IMPORTANTE:** Utilice los tornillos de montaje incluidos. NO UTILICE TORNILLOS PARA CONSTRUCCIONES EN SECO.

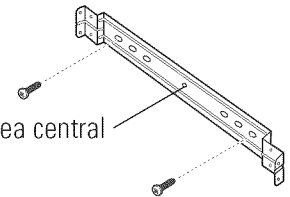
- Verifique que los tornillos de montaje estén nivelados horizontalmente.

## 3 INSTALE EL SOPORTE DEL CONDUCTO DEL CONDUCTO

El soporte del conducto debe instalarse contra la pared trasera en forma alineada con el cielorraso; el punto donde el cielorraso se une con la pared debe estar nivelado para que el soporte y la cubierta del conducto queden alineados. Este soporte sostendrá la cubierta del conducto en su lugar en la parte superior.

**Sujete el soporte a la pared:**

- Alinee el recorte de la línea central con forma de diamante del soporte con la línea central a lápiz de la pared.
- Marque 2 ubicaciones de orificios para tornillos en la pared.
- Perfore orificios piloto de 1/8" en las ubicaciones marcadas.
- Si los orificios piloto no entran en las columnas de madera, agrande los orificios a 3/8" e instale anclajes de pared de metal (provistos).
- Si realiza el montaje directamente sobre una pared de mampostería, adquiera los anclajes adecuados N°10 para mampostería. Perfore e instale según las instrucciones del fabricante de la sujeción.
- Coloque los tornillos, a mano, dentro de las sujeciones para que los anclajes se expandan. Quite los tornillos.
- Sujete el soporte a la pared con tornillos para madera y/o fijaciones.

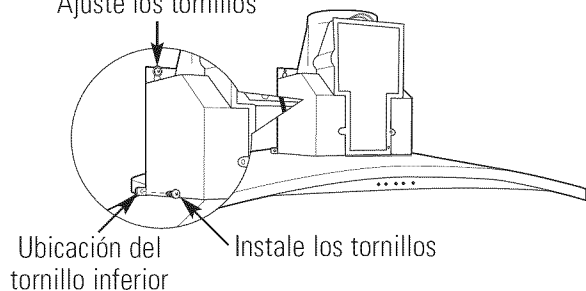


## 4 INSTALE LA CAMPANA

**⚠ ADVERTENCIA:** Se necesitan 2 personas para levantar y colocar la campana sobre los tornillos de montaje.

- Levante la campana y colóquela sobre los tornillos de montaje.
- Si utiliza una sujeción de pared, verifique que las arandelas estén adelante de la brida y no detrás. Controle con un nivel antes de ajustar los tornillos.
- Instale los tornillos inferiores para ajustar la campana bien contra la pared.

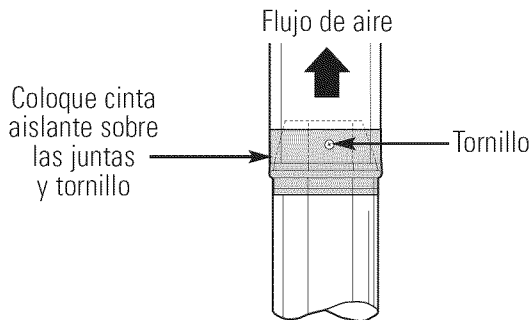
Ajuste los tornillos



## INSTALACIÓN—VENTILACIÓN HACIA EL EXTERIOR

### 5 CONECTE LOS CONDUCTOS

- Quite la cinta de embalaje del regulador de tiro.
- Instale el conducto, realizando conexiones en la dirección del flujo de aire, como se ilustra.
- Presione el conducto sobre la salida de escape y el regulador de tiro.
- Ajuste las juntas del conducto con tornillos para placas de metal.
- Envuelva todas las juntas del conducto y las conexiones de la brida con cinta aislante de aluminio para un sellado hermético.



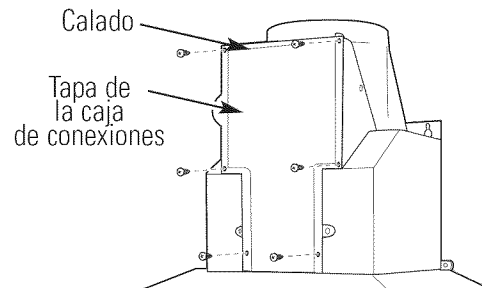
**⚠ PRECAUCIÓN:** No use tornillos para placas de metal en la conexión de la brida de la campana. Si lo hace no funcionará bien el regulador de tiro. Selle la conexión sólo con cinta aislante.

### 6 CONECTE LOS ELEMENTOS ELÉCTRICOS

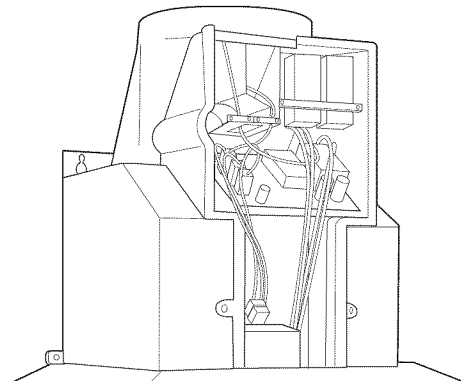
Verifique que la energía esté cortada en la fuente.

**⚠ ADVERTENCIA:** Si el cableado doméstico no cuenta con un cable de 2 hilos con conexión a tierra, un instalador debe realizar una conexión a tierra. Cuando el cableado doméstico es de aluminio, asegúrese de usar un compuesto antioxidante y conectores de aluminio a cobre aprobados por UL.

- Quite los 6 tornillos de la tapa de la caja de conexiones y el calado sobre la parte superior izquierda.



- Asegure el cableado doméstico a la caja de conexiones con un alivio de tensión (no provisto).



- Conecte el cable blanco al cable blanco del circuito derivado.
- Conecte el cable negro al cable negro del circuito derivado.
- Conecte el cable verde/amarillo al cable verde del circuito derivado o al cable de conexión a tierra.
- Ajuste todas las conexiones con tapones de alambre sobre cada conector eléctrico.
- Empuje los cables dentro de la caja de conexiones y vuelva a colocar la tapa. Verifique que los cables no sufran pellizcos.
- Ajuste la tapa de la caja de conexiones con los 6 tornillos originales.

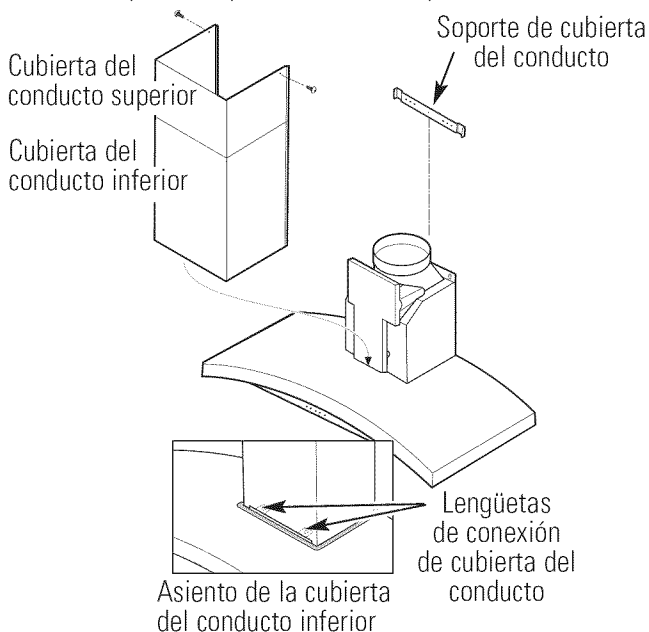
# Instrucciones de instalación

## 7 INSTALE LAS CUBIERTAS DEL CONDUCTO

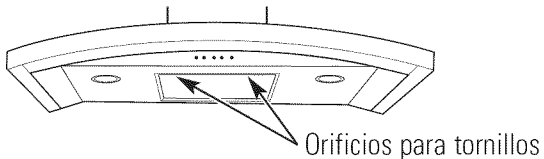
- Quite la tapa protectora de plástico.
- Arme las cubiertas del conducto de acuerdo con la aplicación.

**NOTA:** La cubierta del conducto interior cuenta con orificios de ventilación en un extremo. Los orificios están provistos para ser utilizados cuando la campana se instala para efectuar una recirculación. Deslice la cubierta del conducto superior dentro de los extremos doblados de la cubierta del conducto inferior.

- Coloque las cubiertas decorativas del conducto sobre la parte superior de la campana.



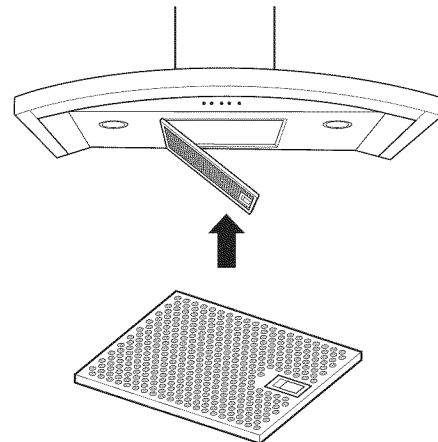
- Extienda la cubierta del conducto interno en dirección ascendente hacia el soporte de cielorraso.
- Sujete con 2 tornillos al soporte de la cubierta del conducto.



- Quite el material de empaque de la abertura del filtro.
- Ubique los orificios para tornillos en el extremo frontal interno de la abertura. Instale 2 tornillos para sujetar la cubierta del conducto inferior a la campana.

## 8 INSTALE EL FILTRO DE GRASA METÁLICO

- Quite la película protectora del filtro de grasa.  
**NOTA:** No se necesita el filtro de carbón para esta instalación.
- Coloque las lengüetas del extremo del filtro dentro de las ranuras del lado izquierdo de la abertura del filtro. Levante el lado derecho del filtro y presione ligeramente hasta que el filtro se traben en su lugar. Verifique que la traba del filtro se encuentre en la posición cerrada para asegurar el filtro.
- Para quitar el filtro, tire de la traba del filtro hacia abajo.



## 9 FINALICE LA INSTALACIÓN

- Controle que se hayan quitado toda la cinta y los materiales de empaque.
- Consulte las Instrucciones de operación de este manual para operar la campana.

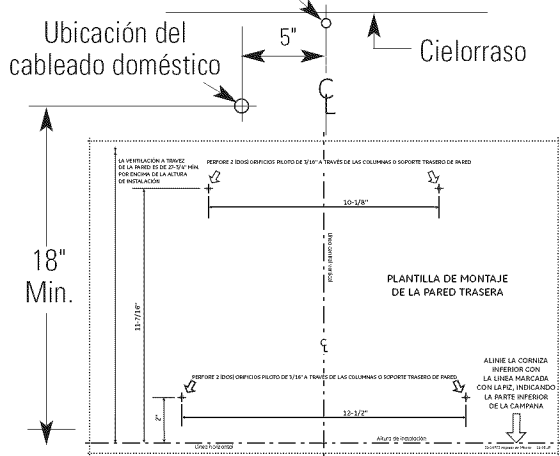
# Instrucciones de instalación

## INSTALACIÓN—RECIRCULACIÓN

### UBICACIONES DE LOS CONDUCTOS Y CABLEADO

- Determine la ubicación exacta de la campana de ventilación.
- Ubique la plantilla empacada con las instrucciones.
- Mida 36" desde el piso hasta el extremo superior de la superficie de cocción. Agregue la altura de instalación de la campana determinada en las páginas 8 y 13. Marque esa ubicación.
- Adhiera con cinta la plantilla en su posición a lo largo de la línea de lápiz. **ASEGÚRESE DE QUE LA PLANTILLA ESTÉ NIVELADA.**
- Utilice un nivel para dibujar una línea hacia arriba, desde la línea central de la plantilla hasta el cielorraso.

5" de la línea central a la pared

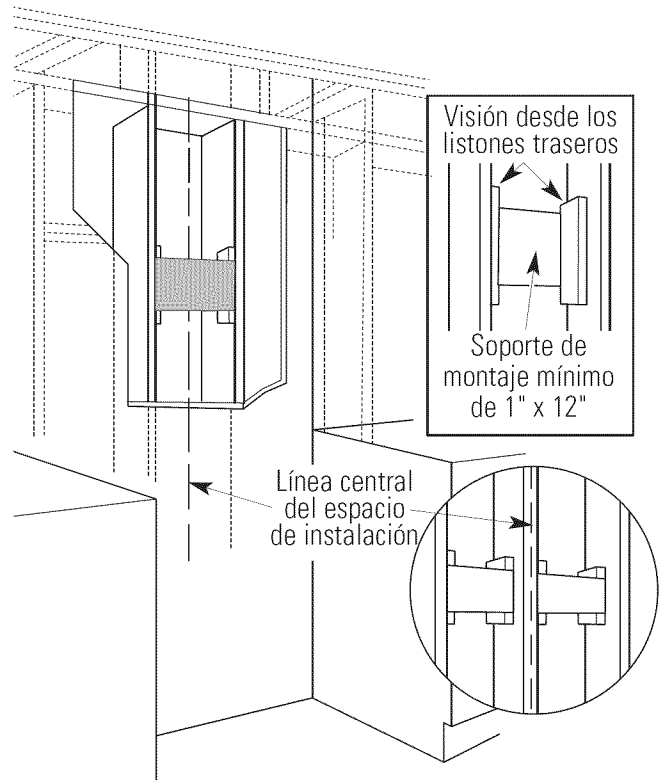


### UBICACIÓN DEL CABLEADO DOMÉSTICO:

- La caja de conexiones se encuentra en el lado superior izquierdo de la campana.
- El cableado debe ingresar por la pared trasera por lo menos 18" por encima del extremo inferior de la campana, y dentro de 5" de la línea central.

### 1 INSTALE EL ARMAZÓN PARA EL SOPORTE DE LA CAMPANA

**IMPORTANTE:** El armazón debe poder soportar 100 lbs.



Si se cuenta con paredes de construcción en seco, marque las ubicaciones de los orificios para tornillos para los soportes de montaje superiores. Quite la plantilla.

- Corte suficiente pared de construcción en seco para exponer 2 columnas verticales en la ubicación del soporte indicada en la plantilla.
- Instale un soporte horizontal por lo menos 1" x 12" entre dos columnas de pared en la ubicación del tornillo de montaje. **El soporte horizontal debe encontrarse alineado con el lado de la habitación de las columnas.** Utilice listones detrás de ambos lados del soporte para sujetar a las columnas de pared.

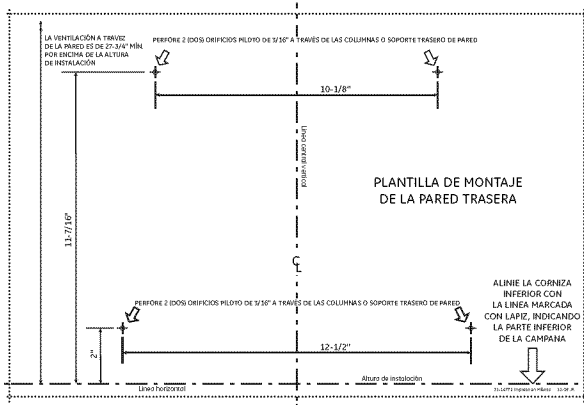
**NOTA:** Se necesitarán 2 soportes horizontales si hay una columna ubicada entre las ubicaciones de tornillo horizontal (ver figura).

**IMPORTANTE:** Vuelva a instalar la pared de construcción en seco para lograr una superficie de montaje pareja.

## 2 INSTALE LOS TORNILLOS DE MONTAJE DE LA CAMPANA DE MONTAJE DE LA CAMPANA

Los tornillos de montaje deben ingresar en el soporte horizontal o en las columnas de pared.

- Con la plantilla adherida con cinta en su lugar, utilice una perforadora para marcar las ubicaciones de los tornillos del soporte de montaje.
- Perfore orificios piloto de 1/8" en 4 de las ubicaciones perforadas en el soporte inferior. Si los 2 orificios piloto inferiores no entran en la madera, agrande los orificios a 3/8" e instale anclajes de pared de metal (provistos).
- Quite la plantilla.
- Instale los 2 tornillos de montaje superiores; deje un espacio de 1/4" entre la cabeza del tornillo y la pared. Esto permitirá que la ranura del orificio del armazón de la campana se enganche con la cabeza del tornillo.



**IMPORTANTE:** Utilice los tornillos de montaje incluidos. NO UTILICE TORNILLOS PARA CONSTRUCCIONES EN SECO.

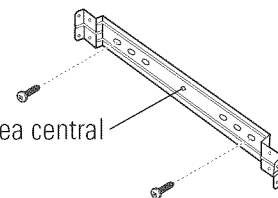
- Verifique que los tornillos de montaje estén nivelados horizontalmente.

## 3 INSTALE EL SOPORTE DEL CONDUCTO Y EL DEFLECTOR

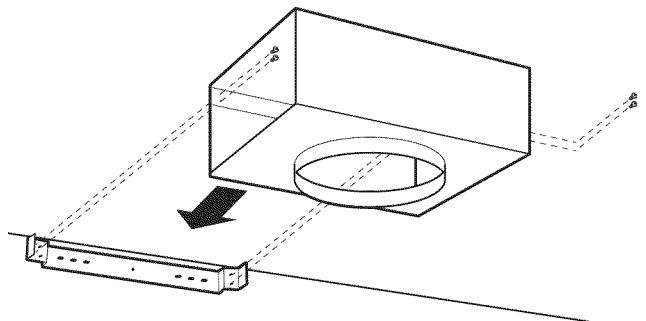
El soporte del conducto debe instalarse contra la pared trasera en forma alineada con el cielorraso; el punto donde el cielorraso se une con la pared debe estar nivelado para que el soporte y la cubierta del conducto queden alineados. Este soporte sostendrá la cubierta del conducto en su lugar en la parte superior.

**Sujete el soporte a la pared:**

- Alinee el recorte de la línea central con forma de diamante del soporte con la línea central a lápiz de la pared.
- Marque 2 ubicaciones de orificios para tornillos en la pared.
- Perfore orificios piloto de 1/8" en las ubicaciones marcadas.
- Si los orificios piloto no entran en las columnas de madera, agrande los orificios a 3/8" e instale anclajes de pared de metal (provistos).
- Si realiza el montaje directamente sobre una pared de mampostería, adquiera los anclajes adecuados N°10 para mampostería. Perfore e instale según las instrucciones del fabricante de la sujeción.
- Coloque los tornillos, a mano, dentro de las sujeciones para que los anclajes se expandan. Quite los tornillos.
- Sujete el soporte a la pared con tornillos para madera y/o fijaciones.



- Instale el accesorio de deflector de aire al soporte de cubierta del conducto con los 4 tornillos de montaje provistos. NO ajuste los tornillos. Esta es una instalación temporal.



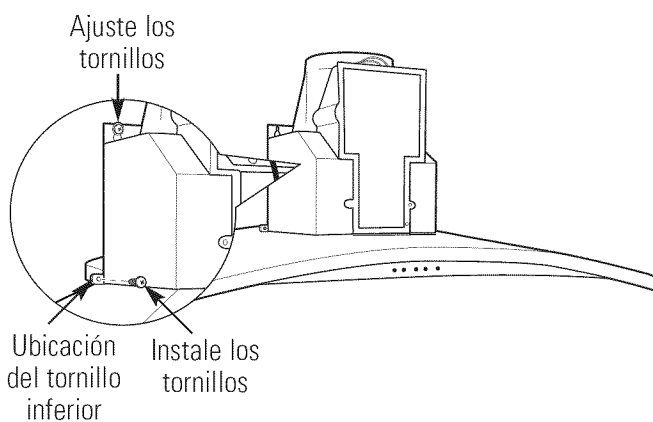
# Instrucciones de instalación

## INSTALACIÓN—RECIRCULACIÓN

### 4 INSTALE LA CAMPANA

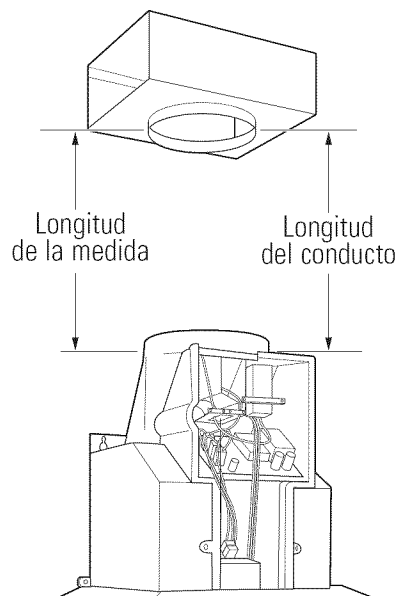
**⚠ ADVERTENCIA:** Se necesitan 2 personas para levantar y colocar la campana sobre los tornillos de montaje.

- Levante la campana y colóquela sobre los tornillos de montaje.
- Si utiliza una sujeción de pared, verifique que las arandelas estén adelante de la brida y no detrás. Controle con un nivel antes de ajustar los tornillos.
- Instale los tornillos inferiores para ajustar la campana bien contra la pared.

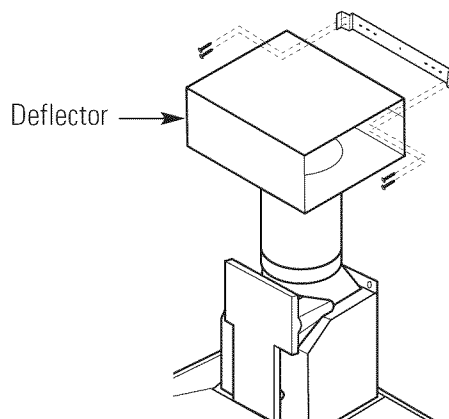


### 5 MIDA Y CORTE LA PIEZA DE CONDUCTO

- Mida desde la parte inferior del deflector de aire hasta la parte superior de la campana, como puede verse. Reduzca esa dimensión en 1" para facilitar la instalación. El conducto cubrirá y se superpondrá con el deflector y la salida de escape de la campana.
- Quite el deflector de aire del soporte de la cubierta del conducto.



- Corte la pieza de conducto del tamaño adecuado y deslícela en la parte inferior del deflector.
- Coloque el deflector montado y el conducto sobre la salida de escape.
- Sostenga el montaje contra el soporte del conducto.
- Coloque 2 tornillos en cada lado de la parte inferior del deflector y en el soporte.
- Utilice cinta aislante para sellar el conducto hacia el deflector y en la salida de escape.



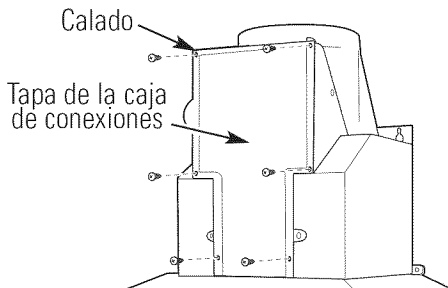
# Instrucciones de instalación

## 6 CONECTE LOS ELEMENTOS ELÉCTRICOS

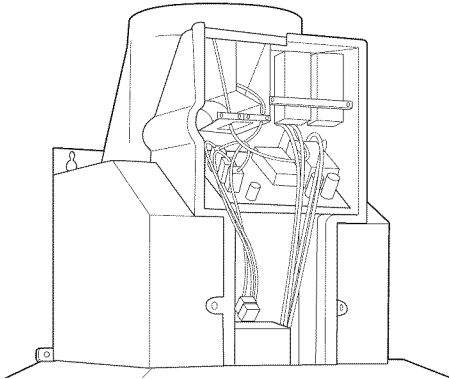
Verifique que la energía esté cortada en la fuente.

**ADVERTENCIA:** Si el cableado doméstico no cuenta con un cable de 2 hilos con conexión a tierra, un instalador debe realizar una conexión a tierra. Cuando el cableado doméstico es de aluminio, asegúrese de usar un compuesto antioxidante y conectores de aluminio a cobre aprobados por UL.

- Quite los 6 tornillos de la tapa de la caja de conexiones y el calado sobre la parte superior izquierda.



- Asegure el cableado doméstico a la caja de conexiones con un alivio de tensión.



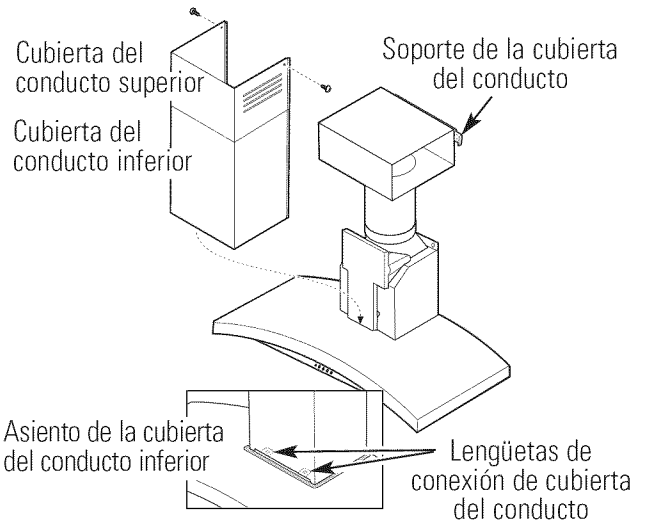
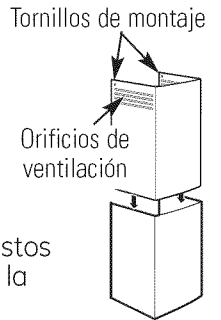
- Conecte el cable blanco al cable blanco del circuito derivado.
- Conecte el cable negro al cable negro del circuito derivado.
- Conecte el cable verde/amarillo al cable verde del circuito derivado o al cable de conexión a tierra.
- Ajuste todas las conexiones con tapones de alambre sobre cada conector eléctrico.
- Empuje los cables dentro de la caja de conexiones y vuelva a colocar la tapa. Verifique que los cables no sufran pellizcos.
- Ajuste la tapa de la caja de conexiones con los 6 tornillos originales.

## 7 INSTALE LAS CUBIERTAS DEL CONDUCTO

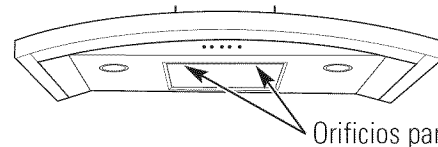
- Quite la tapa protectora de plástico.
- Arme las cubiertas del conducto de acuerdo con la aplicación.

**NOTA:** La cubierta del conducto superior cuenta con orificios de ventilación en un extremo previstos para ser usados cuando se instala la campana para efectuar una recirculación. Asegúrese de que el extremo con ventilación se encuentre en la parte superior; los orificios de ventilación serán visibles en esta instalación. Deslice la cubierta del conducto superior dentro de los extremos doblados de la cubierta del conducto inferior.

- Coloque las cubiertas decorativas del conducto sobre la parte superior de la campana.



- Extienda la cubierta del conducto interior en dirección ascendente hacia el soporte de cielorraso.
- Sujete con 2 tornillos al soporte de la cubierta del conducto.



- Quite el material de empaque de la abertura del filtro.
- Ubique los orificios para tornillos en el extremo frontal interno de la abertura. Instale 2 tornillos para sujetar la cubierta del conducto inferior a la campana.

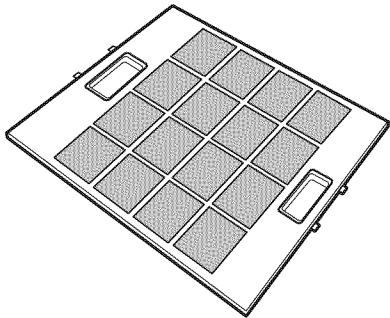
# Instrucciones de instalación

## INSTALACIÓN—RECIRCULACIÓN

### 8 INSTALE LOS FILTROS

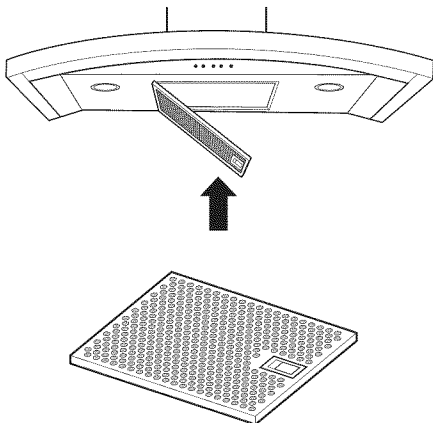
#### Filtro de carbón

Introduzca el filtro de carbón dentro de la abertura. Presione la traba sobre ambos lados hacia el centro y sujete la brida.



#### Filtro de grasa metálico

- Quite la película protectora del filtro de grasa.
- Coloque las lengüetas del extremo del filtro dentro de las ranuras del lado izquierdo de la abertura del filtro. Levante el lado derecho del filtro y presione ligeramente hasta que el filtro se trabe en su lugar. Verifique que la traba del filtro se encuentre en la posición cerrada para asegurar el filtro.
- Para quitar el filtro, tire de la traba del filtro hacia abajo.



### 9 FINALICE LA INSTALACIÓN

- Quite toda la cinta y material de empaque.
- Consulte las Instrucciones de operación de este manual para operar la campana.



# Antes de llamar al servicio técnico...



Consejos para identificación y solución de problemas  
¡Ahorre tiempo y dinero! Lea la siguiente tabla primero  
y quizás no necesite llamar al servicio técnico.

Problema	Causas posibles	Qué hacer
El ventilador/la luz no funcionan cuando se presionan los botones	El fusible puede haberse quemado o el interruptor de circuitos puede haber saltado.	<ul style="list-style-type: none"> <li>• Cambie los fusibles o reconfigure el interruptor de circuitos.</li> </ul>
El ventilador no funciona cuando se presiona el botón + o - del ventilador o el botón MEMORY/OFF (memoria/apagado)	El conector del ventilador está suelto o no se encuentra enchufado dentro de su conector correspondiente.	<ul style="list-style-type: none"> <li>• Desconecte la electricidad hacia la unidad. Quite los filtros y observe el ventilador. Si el enchufe del conector del ventilador está suelto o si ve el conector colgando, el instalador no lo enchufó firmemente. Ver las <i>Instrucciones de instalación</i> para la ubicación del enchufe y sobre cómo enchufar el conector.</li> </ul>
Ruido de flujo de aire muy elevado o anormal	Tamaño de conducto incorrecto utilizado en la instalación.	<ul style="list-style-type: none"> <li>• Esta campana requiere un conducto de 8" y una longitud máxima de conducto de 100 pies equivalentes para funcionar correctamente. Utilizar conductos más pequeños o longitudes equivalentes mayores provocará una ventilación inadecuada. Los técnicos de GE no pueden corregir este problema si hay una instalación inadecuada.</li> </ul>
El ventilador no hace circular aire o desplaza el aire más despacio que lo normal y/o hace ruido de flujo de aire elevado o anormal	Obstrucciones en el conducto.	<ul style="list-style-type: none"> <li>• Verifique que no haya obstrucciones en la ventilación. Controle que la cubierta de pared o casquete de techo tengan una hoja o puerta.</li> </ul>
	La hoja del regulador de tiro de la cubierta de pared o casquete de techo puede estar cerrada.	<ul style="list-style-type: none"> <li>• Asegúrese de que el regulador de tiro se mueva libremente. Las hojas del regulador de tiro pueden darse vuelta y no se abrirán por completo cuando esto suceda. Ajustela con la posición original.</li> </ul>
	El filtro de grasa metálico y el filtro de carbón (si lo hubiera) pueden estar sucios.	<ul style="list-style-type: none"> <li>• Limpie el filtro de grasa metálico y vuelva a colocar el filtro de carbón (si lo hubiera). Ver <i>Cuidado y limpieza de la campana de ventilación</i>.</li> </ul>
Los controles de la campana no funcionan correctamente	Error en el circuito lógico.	<ul style="list-style-type: none"> <li>• Desconecte la electricidad de la campana reconfigurando el interruptor de circuitos. Espere 30 segundos para que los controles vuelvan a configurarse.</li> </ul>
Falla temprana de la bombilla	Cambiar las bombillas con las manos desnudas.	<ul style="list-style-type: none"> <li>• Cambie las bombillas usando guantes para evitar el contacto de aceites de la piel con las bombillas.</li> <li>• El vataje de la bombilla es muy elevado. Utilice el vataje correcto.</li> </ul>
La campana no funciona cuando se presiona el botón MEMORY/OFF. Todos los collarines ubicados alrededor de los botones se encuentran iluminados.	La característica de memoria no se ha configurado. Esto es normal.	<ul style="list-style-type: none"> <li>• Siga los procedimientos para configurar el botón <b>MEMORY/OFF</b>. Ajuste las configuraciones del ventilador y de luz de acuerdo con sus preferencias.</li> </ul>

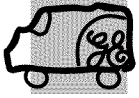
## Antes de llamar al servicio técnico...



Consejos para identificación y solución de problemas  
¡Ahorre tiempo y dinero! Lea la siguiente tabla primero  
y quizás no necesite llamar al servicio técnico.

Problema	Causas posibles	Qué hacer
<i>El ventilador se encendió solo y se encuentra en la configuración MED (media). La configuración de ventilador puede ajustarse pero no apagarse (OFF).</i>	Se encuentra activado el sensor de calor.	<ul style="list-style-type: none"> <li>• Esto es normal cuando las temperaturas debajo de la campana superan los límites del sensor de calor. Quite la fuente de calor debajo de la campana o espere a que la campana se enfríe a niveles apropiados. La campana se apagará automáticamente o volverá a su configuración original una vez que el sensor detecte que la temperatura ha alcanzado una condición segura.</li> </ul>
<i>El collarín ubicado alrededor del botón de presión no se ilumina cuando se presiona.</i>	El botón de presión puede estar trabado.	<ul style="list-style-type: none"> <li>• Controle el botón de presión afectado y verifique que no esté trabado. Llame al servicio técnico si continúa el problema.</li> </ul>
<i>Dos o más collarines ubicados alrededor de los botones de presión no se iluminan cuando se presionan.</i>	Dos o más botones de presión pueden estar trabados.	<ul style="list-style-type: none"> <li>• Controle los botones de presión afectados y verifique que no estén trabados. Llame al servicio técnico si continúa el problema.</li> </ul>
<i>Las presiones secuenciales a los botones LIGHT (luz) o FAN (ventilador) cambian la configuración de baja a OFF (apagado), a la configuración más alta, a OFF, a la configuración</i>	Esto es normal. Es una característica de la campana que los botones LIGHT y FAN se desplacen entre configuraciones para poder programar fácilmente los controles en la configuración deseada.	<ul style="list-style-type: none"> <li>• No se requiere una acción.</li> </ul>

# Garantía de GE campanas de ventilación.



Todos los servicios de garantía los proporcionan nuestros Centros de Reparación de Fábrica o nuestros técnicos Customer Care® autorizados. Para concertar una cita de reparación, en línea, visítenos en [ge.com](http://ge.com), o llame al 800.GE.CARES (800.432.2737). Cuando llame para solicitar servicio, por favor tenga a mano el número de serie y el número de modelo.

Peque aquí su recibo. Se requiere facilitar prueba de la fecha de compra original para obtener un servicio bajo la garantía.

## Por el período de: **GE reemplazará:**

**Un año**  
A partir de la fecha de la compra original

**Cualquier parte** de la estufa de cubierta a gas que falle debido a defectos en los materiales o en la fabricación. Durante esta **lgarantía limitada de un año**, GE también proporcionará, **all labor sin costo alguno**, toda la mano de obra y el servicio relacionado para reemplazar partes defectuosas.

## Lo que no está cubierto por GE:

- Viajes de servicio a su casa para mostrarle cómo funciona el equipo.
- Instalación o entrega inapropiada, o mantenimiento impropio.
- Fallo del producto resultante de modificaciones al producto o debido a uso incorrecto incluyendo no proporcionar mantenimiento razonable y necesario.
- Reemplazo de fusibles de la casa o reajuste del sistema de circuitos.
- Daño al producto causado por accidentes, incendios, inundaciones o actos de la naturaleza de fuerza mayor.
- Daños incidentales o consecuenciales causados por defectos posibles con este aparato.
- Daños causados después de la entrega.
- Producto no accesible para facilitar el servicio requerido.

**EXCLUSIÓN DE GARANTÍAS IMPLÍCITAS—Su único y exclusivo derecho es la reparación del producto, tal y como se indica en esta Garantía limitada. Cualquier garantía implícita, incluyendo las garantías implícitas de comerciabilidad o adecuación para un fin determinado, están limitadas a un año o el período de tiempo más breve permitido por la ley.**

Esta garantía se extiende al comprador original y cualquier comprador posterior de productos comprados para uso residencial dentro des Estados Unidos. Si el producto está situado en un área que no dispone de servicio por parte de un proveedor de servicio autorizado de GE, podría tener que hacerse cargo de los costes de envío o bien podría solicitársele que lleve el producto a una centro de servicio de GE autorizado para realizar la reparación. En Alaska, la garantía excluye el costo de envío o las visitas de servicio a su casa.

Algunos estados no permiten la exclusión o las limitaciones de daños incidentales o consecuenciales. Esta garantía da derechos legales específicos, y usted podría tener otros derechos que variarán de estado a estado. Para saber cuáles son sus derechos legales, consulte a la oficina de asuntos del consumidor local o la oficina del Procurador (Attorney General) en su localidad.

**Garante: General Electric Company. Louisville, KY 40225**

Instrucciones de Seguridad

Instrucciones de Operación

Cuidado y Limpieza

Solucionar Problemas

Apoyo al Cliente

## Apoyo al consumidor.

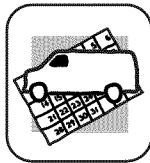
---



### *Página Web de GE Appliances*

**ge.com**

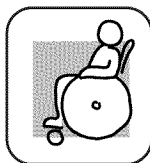
¿Tiene alguna pregunta sobre su electrodoméstico? ¡Pruebe la página Web de GE Appliances, cualquier día del año! Para mayor conveniencia y servicio más rápido, ya puede descargar los Manuales de los Propietarios, pedir piezas o incluso hacer una cita en línea para que vengan a realizar una reparación.



### *Solicite una reparación*

**ge.com**

El servicio de expertos GE está a tan sólo un paso de su puerta. ¡Entre en línea y solicite su reparación cuando le venga cualquier día del año! O llame al 800.GE.CARES (800.432.2737) durante horas normales de oficina.



### *Real Life Design Studio (Estudio de diseño para la vida real)*

**ge.com**

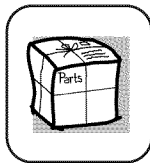
GE apoya el concepto de Diseño Universal—productos, servicios y ambientes que pueden usar gente de todas las edades, tamaños y capacidades. Reconocemos la necesidad de diseñar para una gran gama de habilidades y dificultades físicas y mentales. Para más detalles sobre las aplicaciones de GE Diseño Universal, incluyendo ideas de diseño para la cocina para personas con discapacidades, mire nuestra página Web hoy mismo. Para personas con dificultades auditivas, favor de llamar al 800.TDD.GEAC (800.833.4322).



### *Garantías ampliadas*

**ge.com**

Compre una garantía ampliada y obtenga detalles sobre descuentos especiales disponibles mientras su garantía está aún activa. Puede comprarla en línea en cualquier momento, o llamar al 800.626.2224 durante horas normales de oficina. GE Consumer Home Services estará aún ahí cuando su garantía termine.



### *Piezas y accesorios*

**ge.com**

Aquellos individuos con la calificación necesaria para reparar sus propios electrodomésticos pueden pedir que se les manden las piezas o accesorios directamente a sus hogares (aceptamos las tarjetas VISA, MasterCard y Discover). Haga su pedido en línea hoy, 24 horas cada día o llamar por teléfono al 800.626.2002 durante horas normales de oficina.

**Las instrucciones descritas en este manual cubren los procedimientos a seguir por cualquier usuario. Cualquier otra reparación debería, por regla general, referirse a personal calificado autorizado. Debe ejercerse precaución ya que las reparaciones incorrectas pueden causar condiciones de funcionamiento inseguras.**



### *Póngase en contacto con nosotros*

**ge.com**

Si no está satisfecho con el servicio que recibe de GE, póngase en contacto con nosotros en nuestra página Web indicando todos los detalles así como su número de teléfono o escríbanos a:

General Manager, Customer Relations  
GE Appliances, Appliance Park  
Louisville, KY 40225



### *Registre su electrodoméstico*

**ge.com**

¡Registre su nuevo electrodoméstico en línea—cuando usted prefiera! El registrar su producto a tiempo le proporcionará, si surgiera la necesidad, una mejor comunicación y un servicio más rápido bajo los términos de su garantía. También puede enviar su tarjeta de registro pre-impresa que se incluye en el material de embalaje.