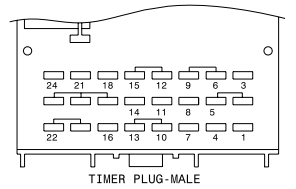
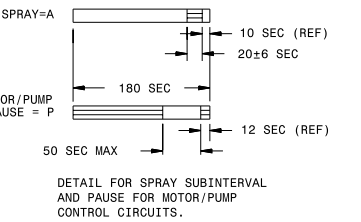
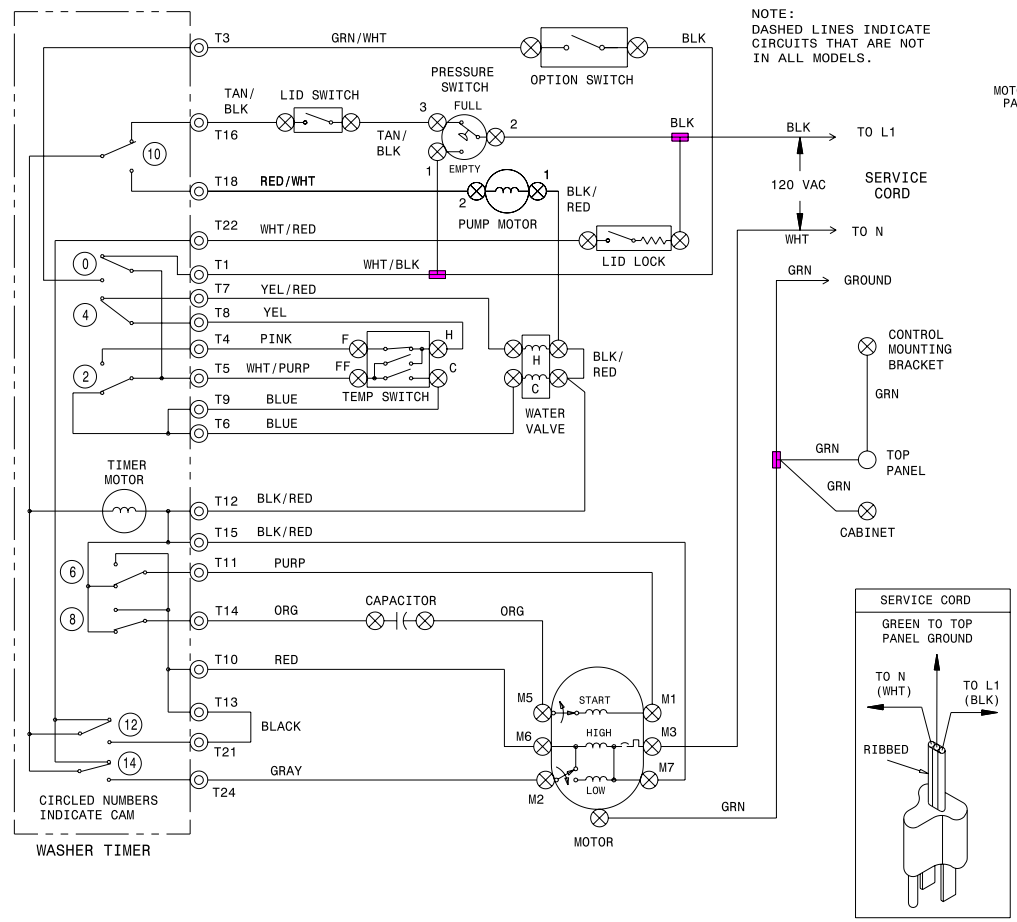
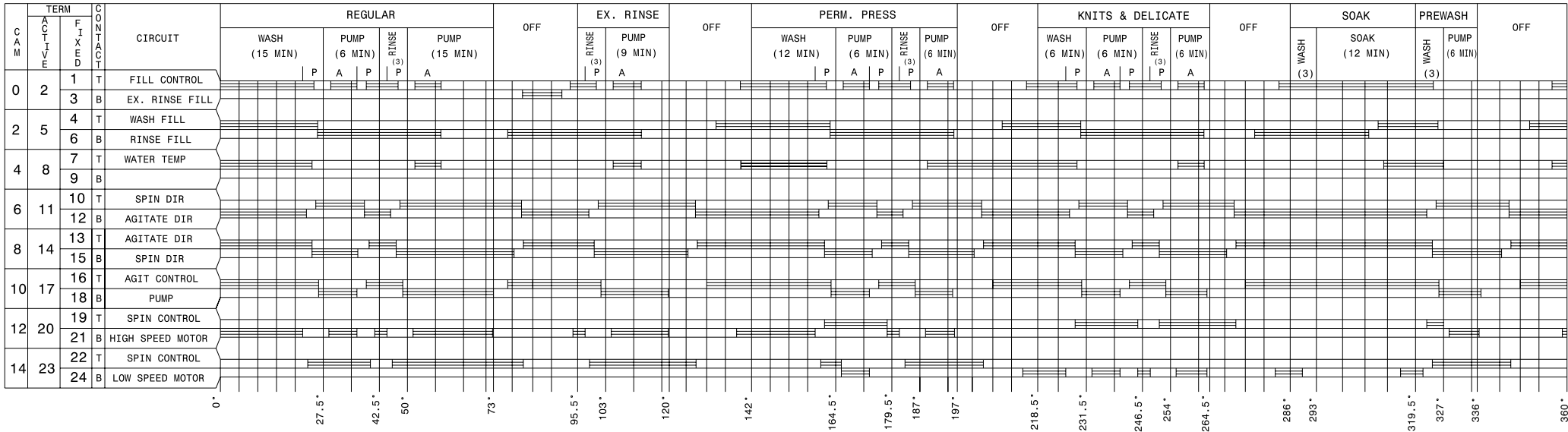


**CAUTION: DISCONNECT ELECTRIC CURRENT BEFORE SERVICING**



**WIRING CODES**

- ⊙ PLUG IN TIMER TERMINAL
- ⊗ QUICK DISCONNECT TERMINAL
- ⊕ SCREW TERMINAL
- CONNECTION
- + NO CONNECTION
- ⊗ MOTOR SWITCH
- SPLICE
- ⊗ MOTOR PROTECTOR
- ⊕ CHASSIS (CABINET) GROUND

**TEMPERATURE SWITCH CIRCUIT**

	F-H	FF-H	FF-C
COLD/COLD	0	0	X
WARM/COLD	X	0	X
HOT/COLD	X	0	0
WARM/WARM (OPT)	0	X	X

0=OPEN X=CLOSED

