



Factory Parts Catalog

| | |
|---------------------------|-----------------|
| Product No. | E30MO65GSSB |
| Market | North America |
| Color | black/stainless |
| Volts | 120 |
| Watts | 900 |
| Wiring Diagram | 5995549135 |
| Owner's Guide | TINSEB471MRR0 |
| Installation Instructions | TINSEB472MRR0 |



Electrolux Major Appliances
North & Latin America
P.O. BOX 212378
AUGUSTA, GA 30917

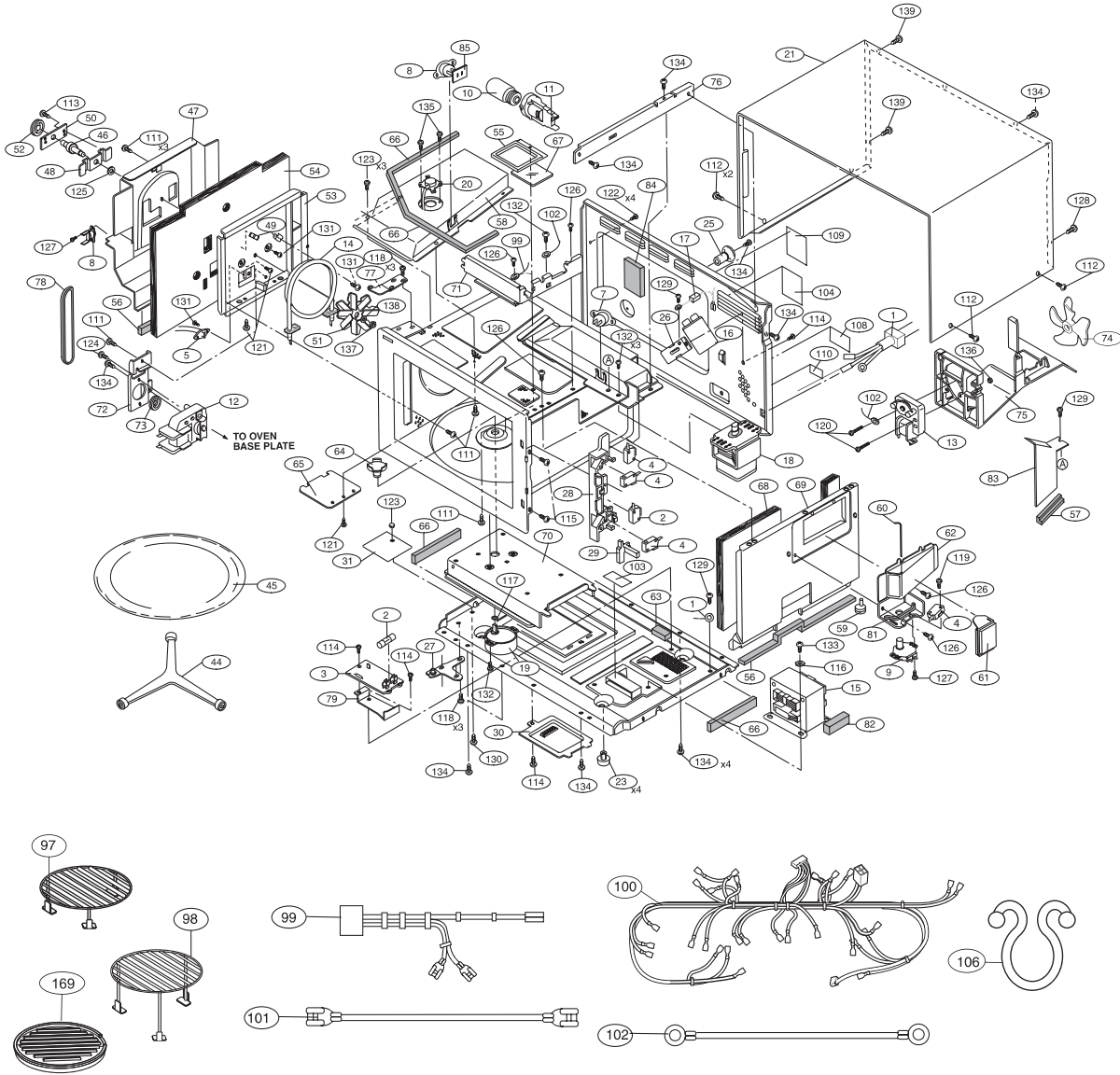
Publication No.
5995549135
09/08/14
(EN/SERVICE/KC)
099

BUILT-IN MICROWAVE

Model No.
E30MO65GS

Copyright © 2009 Electrolux Home Products, Inc.
All rights reserved.

OVEN, CABINET

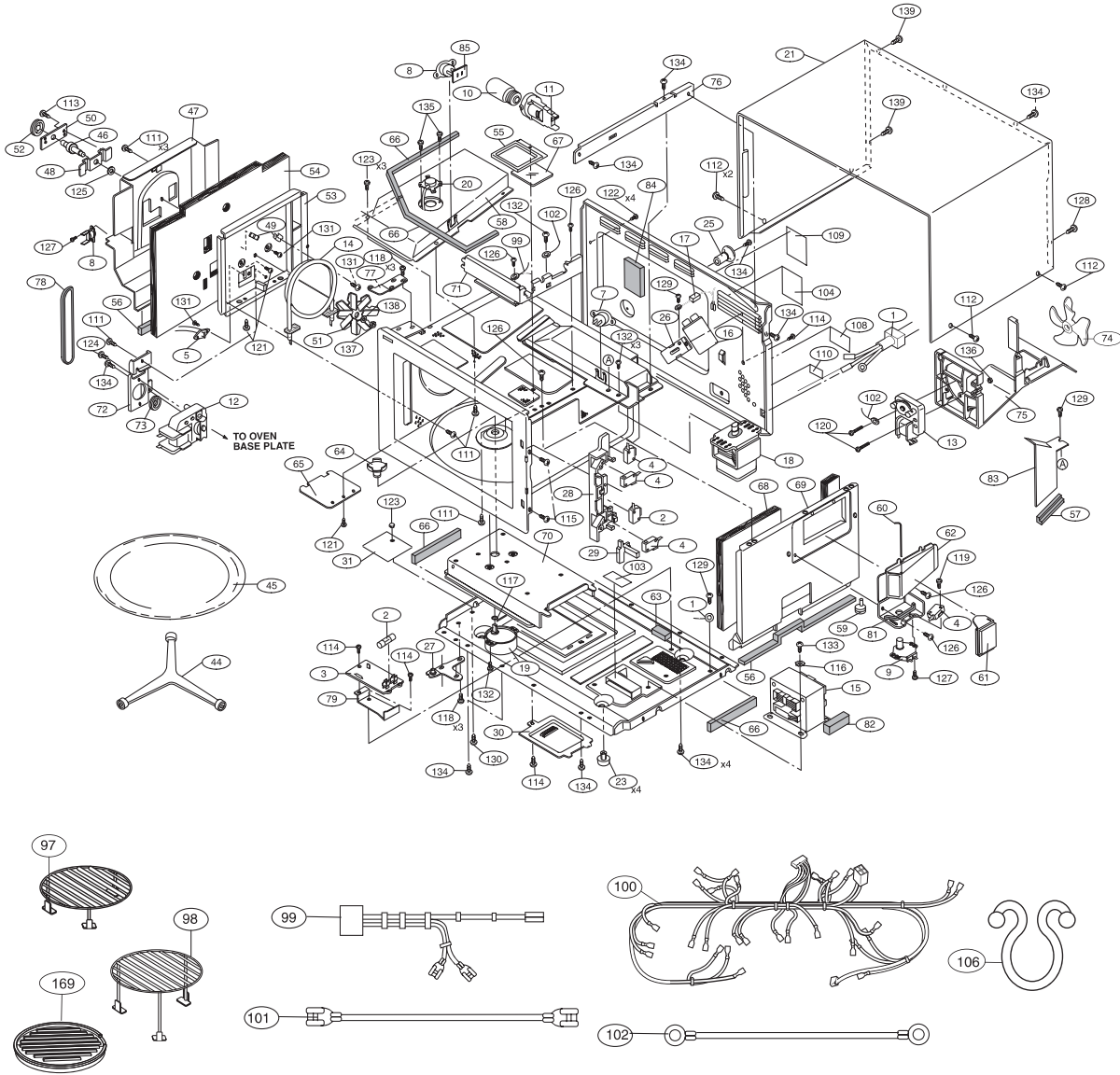


E30MO65GSSB Cabinet

OVEN, CABINET

| POS. NO | PART NO. | DESCRIPTION |
|---------|------------|---------------------------------------|
| 1 # | 5304461108 | Power Cord, electric |
| 2 # | 5304461109 | Assembly, fuse & switch, monitor |
| 3 # | 5304461110 | Filter, noise |
| 4 # | 5304461111 | Switch, micro |
| 5 # | 5304461112 | Thermistor |
| 7 # | 5304461113 | Thermal Cut-Out, magnetron |
| 8 # | 5304461114 | Thermal Cut-Out, convection/oven, (2) |
| 9 # | 5304461115 | Motor, damper |
| 10 # | 5304461116 | Lamp, oven light |
| 11 # | 5304461117 | Socket, oven lamp |
| 12 # | 5304461118 | Motor, convection fan |
| 13 # | 5304461119 | Motor, fan |
| 14 # | 5304474695 | Element, heating, convection |
| 15 # | 5304461121 | Transformer, power |
| 16 # | 5304470539 | Capacitor, high voltage |
| 17 # | 5304474696 | Rectifier, high voltage |
| 18 # | 5304470540 | Magnetron |
| 19 # | 5304461124 | Motor, turntable |
| 20 # | 5304461125 | Sensor Assembly, AH |
| 21 | 5304461126 | Cabinet, outer casing, black |
| 23 | 5304461127 | Foot, cabinet, (4) |
| 25 | 5304461128 | Holder, power cord |
| 26 | 5304461129 | Holder, capacitor |
| 27 | 5304461130 | Hinge, door, lower |
| 28 | 5304461131 | Hook, latch |
| 29 | 5304461132 | Lever, switch |
| 30 | 5304461133 | Cover, turntable motor |
| 31 | 5304461134 | Barrier, CSA |
| 44 | 5304461144 | Support, turntable |
| 45 | 5304461145 | Tray, turntable |
| 46 | 5304461146 | Bearing Assembly |
| 47 | 5304461147 | Plate, thermal protect, LH |
| 48 | 5304461148 | Plate, bearing mtg |
| 49 | 5304461149 | Holder, element |
| 50 | 5304461150 | Plate, bearing holder |
| 51 | 5304461151 | Fan Blade, convection |
| 52 # | 5304471508 | Pulley, convection fan |
| 53 | 5304461153 | Duct Assembly, heater |
| 54 | 5304461154 | Sheet, thermal protect, LH |
| 55 | 5304461155 | Frame, light lens |
| 56 | 5304461156 | Cushion |
| 57 | 5304461157 | Cushion |
| 58 | 5304461158 | Duct Assembly, steam release |
| 59 | 5304461159 | Cam, damper |
| 60 | 5304461160 | Shaft, damper |
| 61 | 5304461161 | Door Assembly, damper |
| 62 | 5304461162 | Duct, damper |
| 63 | 5304461163 | Cushion |
| 64 | 5304469899 | Coupler, turntable/motor |
| 65 | 5304461165 | Cover, waveguide |
| 66 | 5304461166 | Cushion, (4) |

OVEN, CABINET

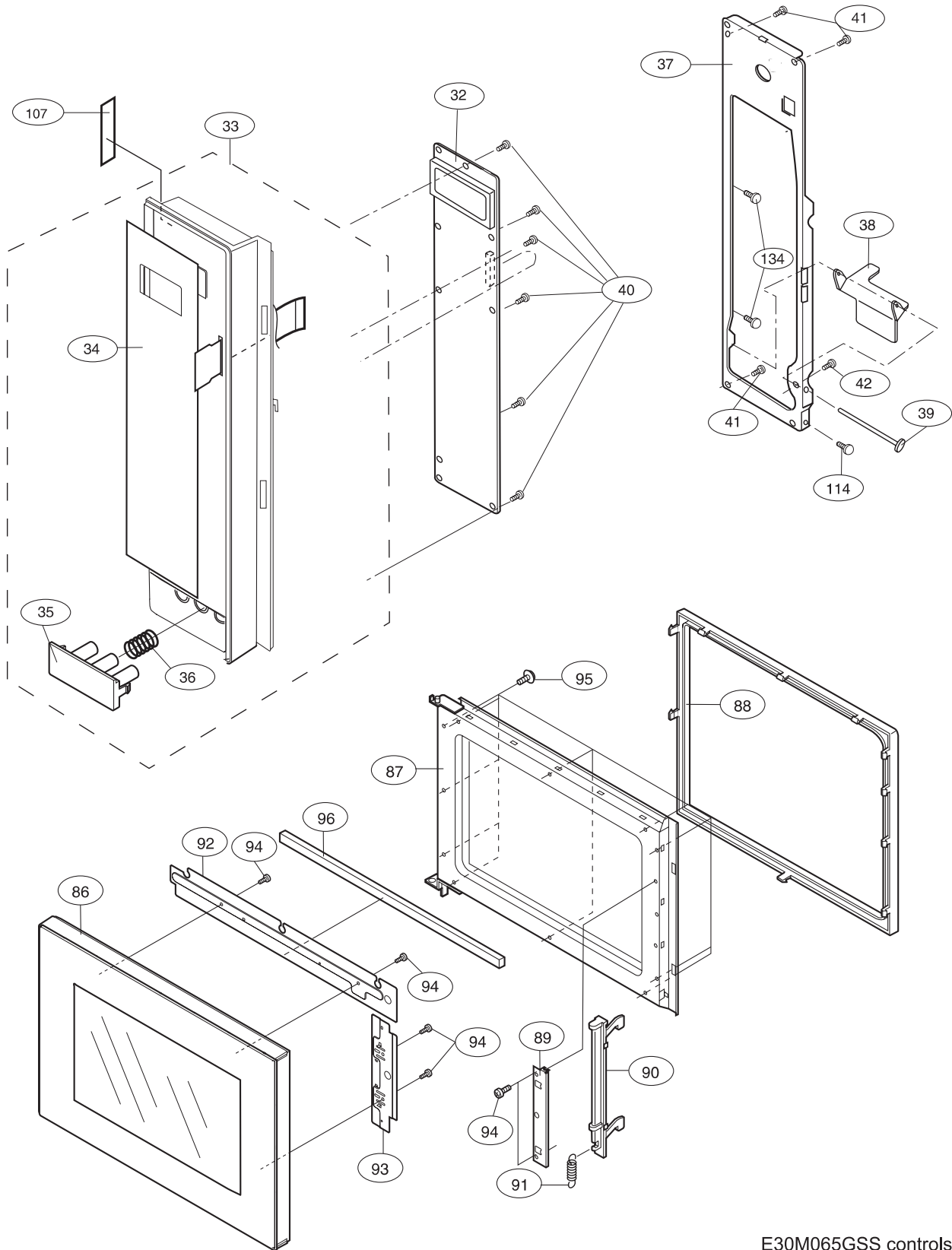


E30MO65GSSB Cabinet

OVEN, CABINET

| POS. NO | PART NO. | DESCRIPTION |
|---------|------------|-------------------------------------|
| 67 | 5304461167 | Lens, light |
| 68 | 5304461168 | Sheet, thermal protect, RH |
| 69 | 5304461169 | Plate, thermal protect, RH |
| 70 | 5304461170 | Guide, air, bottom |
| 71 | 5304461171 | Guide, air, RH |
| 72 | 5304461172 | Plate, motor mtg, convection |
| 73 # | 5304461152 | Pulley, motor, convection fan |
| 74 # | 5304461173 | Blade, fan |
| 75 | 5304461174 | Duct, cooling fan |
| 76 | 5304461175 | Support, chassis |
| 77 | 5304461176 | Hinge, door, upper |
| 78 # | 5304461177 | Belt, convection fan |
| 79 | 5304461178 | Angle, noise filter |
| 81 | 5304461179 | Cushion, damper duct |
| 82 | 5304461180 | Cushion |
| 83 | 5304461181 | Guide, air, magnetron |
| 84 | 5304461182 | Sheet, thermal, protection |
| 85 | 5304461183 | Cover, thermal sheet, panel |
| 97 | 5304461194 | Rack Assembly, broiling trivit, low |
| 98 | 5304461195 | Rack Assembly, baking, high |
| 99 # | 5304461196 | Wiring Harness, thermistor |
| 100# | 5304461197 | Harness, wiring, main |
| 101# | 5304461198 | Wire, high voltage, B |
| 102# | 5304461199 | Wire, ground, cooling fan |
| 103 | 5304461200 | Label, monitor caution |
| 104 | 5304451533 | Label, NHW caution |
| 106 | 5304451529 | Clip, wire harness, plastic, LL |
| 108 | 5304451535 | Label, height caution |
| 109 | 5304440333 | Label, Caution-DHHS |
| 110 | 5304453941 | Label, caution, UL screw |
| 111 | 5304461203 | Screw, 4mm x 10mm, (14) |
| 112 | 5304440340 | Screw, 4mm x 12mm |
| 113 | 5304461204 | Screw, 4mm x 8mm, (2) |
| 114 | 5304440872 | Screw, 4mm x 8mm |
| 115 | 5303319641 | Screw |
| 116 | 5304461205 | Washer, 6mm x .7mm |
| 117 | 5304461206 | Washer |
| 118 | 5304461207 | Screw, special, (6) |
| 119 | 5304461208 | Screw, 3mm x 14mm |
| 120 | 5304461209 | Screw, 4mm x 25mm, (2) |
| 121 | 5304461210 | Screw, 4mm x 6mm, (7) |
| 122 | 5304461211 | Screw, 4mm x 8mm, (7) |
| 123 | 5304461212 | Nut, special |
| 124 | 5304461213 | Screw, 4mm x 6mm, (2) |
| 125 | 5304461214 | Washer |
| 126 | 5304461215 | Screw, 4mm x 8mm, (6) |
| 127 | 5304461216 | Screw, 3mm x 6mm |
| 128 | 5303319639 | Screw, wrapper, back |
| 129 | 5304461217 | Screw, 4mm x 8mm, (3) |
| 130 | 5304461218 | Screw, 4mm x 6mm |
| 131 | 5304461219 | Screw, 3mm x 6mm, (4) |
| 132 | 5304461220 | Screw, 4mm x 8mm, (6) |
| 133 | 5304461221 | Screw, 6mm x 14mm, (2) |
| 134 | 5303318767 | Screw, 4mm x 12mm |
| 135 | 5304461222 | Screw, 3mm x 8mm, (2) |
| 136 | 5304461223 | Nut, 4mm x 3.2mm, (2) |
| 137 | 5304451547 | Nut, element, 4 mm x 3.2 mm, (4) |
| 138 | 5304461224 | Washer, 4mm x 1mm |
| 139 | 5304440873 | Screw, Torx, T20H/GTXH20-100 |
| 169 | 5304461261 | Rack, bacon |
| * | 5304461201 | Owners Manual |

CONTROL PANEL, DOOR, MISC.



E30M065GSS controls

CONTROL PANEL, DOOR, MISC.

| POS. NO | PART NO. | DESCRIPTION |
|---------|------------|------------------------------------|
| 32 # | 5304461135 | Control Board |
| 33 # | 5304461136 | Control Panel Assy, black |
| 34 # | 5304461137 | Touch Control, key pad, black |
| 35 | 5304461138 | Button, door |
| 36 | 5304440831 | Spring, door button |
| 37 | 5304461139 | Plate, control panel, back |
| 38 | 5304461140 | Lever, door button |
| 39 | 5304461141 | Shaft, door button |
| 40 | 5303319584 | Screw, control panel, 3 mm x 10 mm |
| 41 | 5304461142 | Screw, back plate mtg, (5) |
| 42 | 5304461143 | Screw, cntl panel mtg, (2) |
| 86 | 5304461184 | Panel, outer door, black, frame |
| 87 | 5304461185 | Panel, inner door, black |
| 88 | 5304461186 | Cover, choke |
| 89 | 5304461187 | Angle, latch |
| 90 | 5304461188 | Head, latch |
| 91 | 5304461189 | Spring, latch head |
| 92 | 5304461190 | Plate, thermal, upper |
| 93 | 5304461191 | Plate, thermal, RH |
| 94 | 5304451561 | Screw, 4 mm x 8 mm |
| 95 | 5304461192 | Screw, 3mm x 8mm, (12) |
| 96 | 5304461193 | Cushion |
| 107 | 5304461202 | Label, User Caution |
| 114 | 5304440872 | Screw, 4mm x 8mm |
| 134 | 5303318767 | Screw, 4mm x 12mm |

WIRING SCHEMATIC

SCHMATIC
 NOTE: CONDITION OF OVEN
 1. DOOR CLOSED.
 2. CLOCK APPEARS ON DISPLAY.

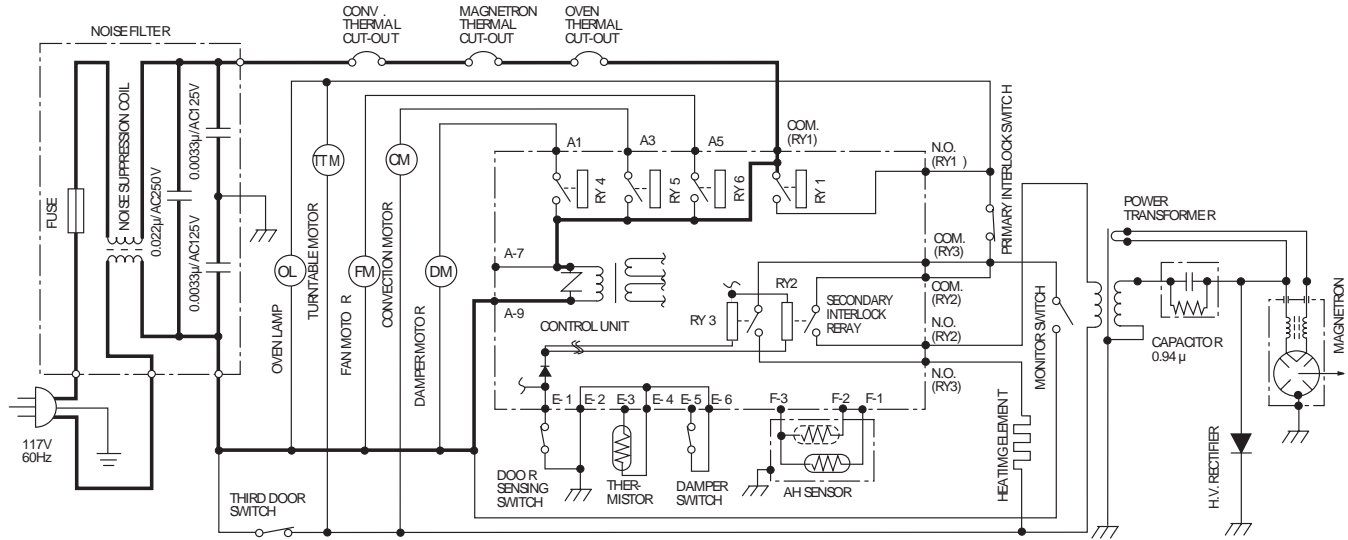


Figure O-1. Oven Schematic-Off Condition

SCHMATIC
 NOTE: CONDITION OF OVEN
 1. DOOR CLOSED.
 2. COOKING TIME PROGRAMMED.
 3. "START" PAD TOUCHED.

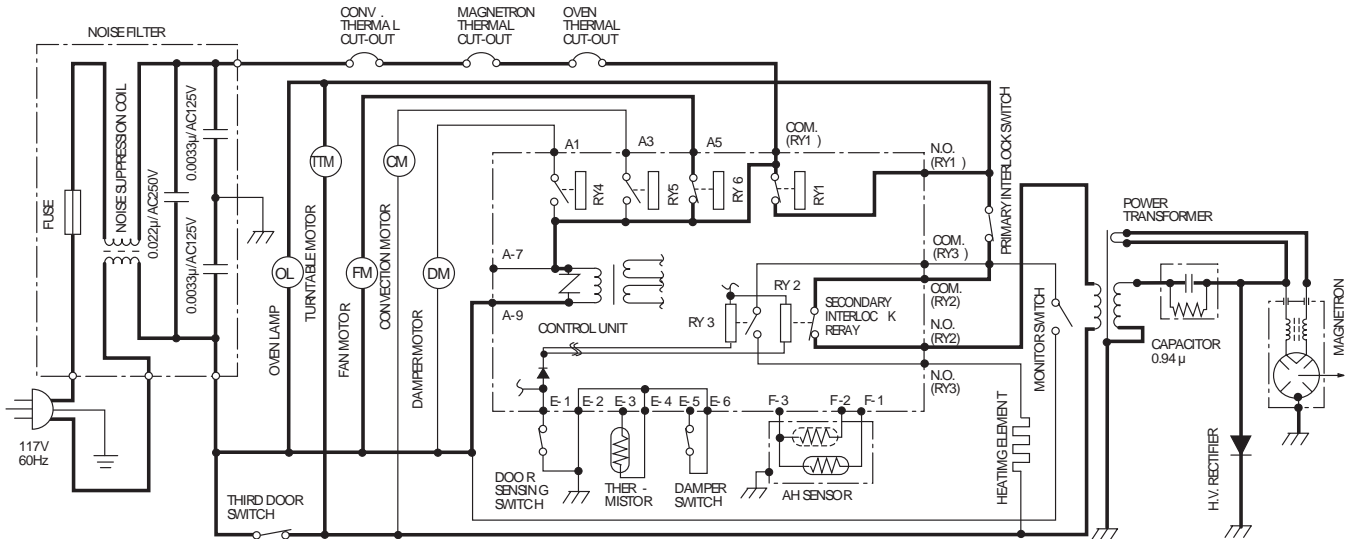


Figure O-2. Oven Schematic-Microwave Cooking Condition

WIRING SCHEMATIC

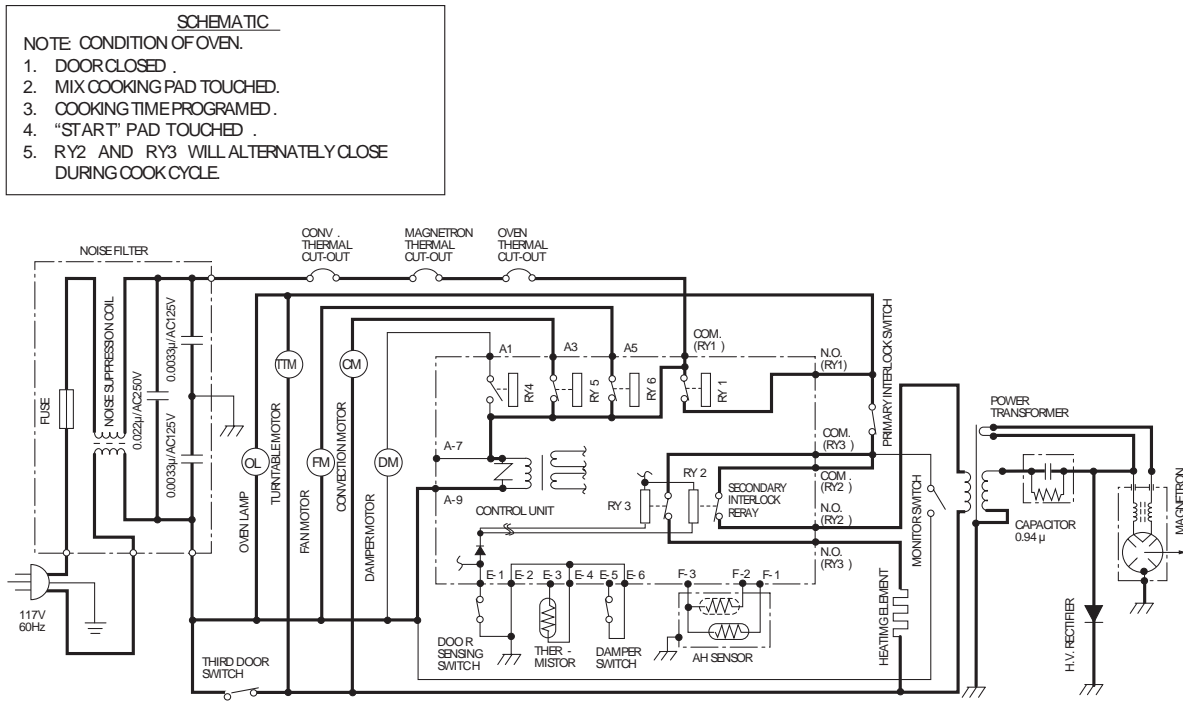


Figure O-3. Oven Schematic-Automatic Mix Cooking Condition

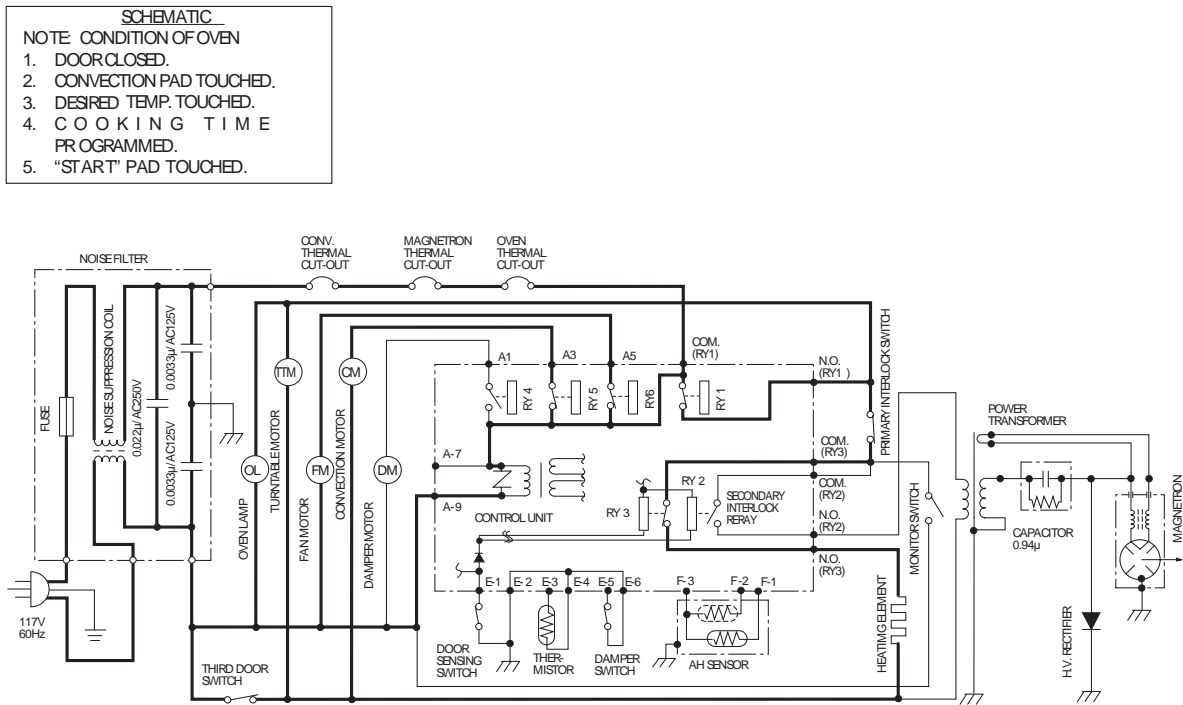


Figure O-4. Oven Schematic-Convection Cooking Condition

E30MO65GSSB-WIRING-2