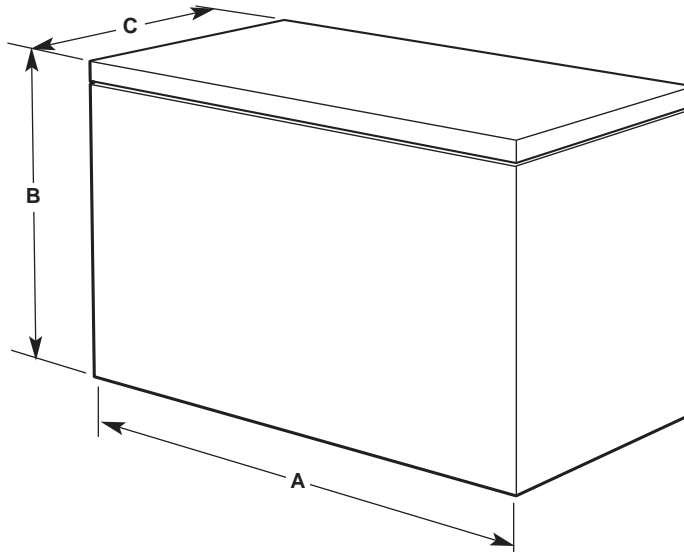


PRODUCT MODEL NUMBERS

EH050FXM	EH150FXM
EH070FXM	EH151FXM
EH101FXM	EH221FXM

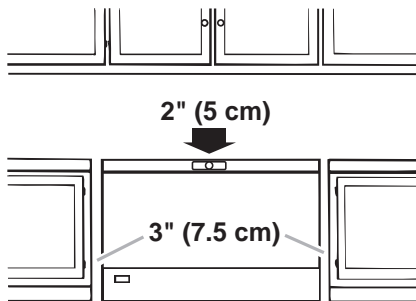
Electrical: A 115 Volt, 60 Hz., AC only 15 or 20 amp fused (or circuit breaker), grounded electrical supply is required. It is recommended that a separate circuit serving only your freezer be provided. Use an outlet that cannot be turned off by a switch or pull chain. Do not use an extension cord.

OVERALL DIMENSIONS



Model	Width "A"	Height "B"	Depth "C"
EH050FXM	23 1/2"	35"	26"
EH070FXM	31 1/2"	35"	24 1/4"
EH101FXM	42 1/8"	35"	24 1/4"
EH150FXM	46 1/8"	35"	29 1/2"
EH151FXM	46 1/8"	35"	29 1/2"
EH221FXM	64 7/8"	35"	29 1/2"

LOCATION REQUIREMENTS



Allow at least 3 in. (7.5 cm) of air space on both sides of the freezer and 2 in. (5 cm) between the back of the freezer and the wall. Leave room above the freezer to open the lid.

Your freezer operates most efficiently when located in an area where the temperature is normally between 32°F (0°C) and 110°F (43°C).

Do not install the freezer near an oven, radiator or other heat source.