

Operator's Manual



6¹/₈"

Bench Top

JOINTER/PLANER

Model No.

351.217880

CAUTION: Read and follow all Safety Rules and Operating Instructions before First Use of this Product.

Sears, Roebuck and Co., Hoffman Estates, IL 60179 U.S.A.

www.sears.com/craftsman

18453.02 Draft (11/10/02)

SAFETY

ASSEMBLY

OPERATION

MAINTENANCE

PARTS LIST

ESPAÑOL

TABLE OF CONTENTS

Warranty	2
Safety Rules	2-3
Unpacking	3
Assembly	3-4
Installation	4-6
Operation	6-9
Maintenance	10-11
Troubleshooting	12
Parts Illustration and List	14-17
Español	18-31

WARRANTY

FULL ONE YEAR WARRANTY

If this product fails due to a defect in material or workmanship within one year from the date of purchase, Sears will at its option repair or replace it free of charge. Contact your nearest Sears Service Center (1-800-4-MY-HOME) to arrange for product repair, or return this product to place of purchase for replacement. If this product is used for commercial or rental purposes, this warranty will apply for 90 days from the date of purchase.

This warranty applies only while this product is used in the United States.

This warranty gives you specific legal rights and you may also have other rights which vary from state to state.

Sears, Roebuck and Co., Dept. 817WA, Hoffman Estates, IL 60179

SAFETY RULES

WARNING: For your own safety, read all of the rules and precautions before operating tool.

CAUTION: Always follow proper operating procedures as defined in this manual even if you are familiar with use of this or similar tools. Remember that being careless for even a fraction of a second can result in severe personal injury.

BE PREPARED FOR JOB

- Wear proper apparel. Do not wear loose clothing, gloves, neckties, rings, bracelets or other jewelry which may get caught in moving parts of machine.
- Wear protective hair covering to contain long hair.
- Wear safety shoes with non-slip soles.
- Wear safety glasses complying with United States ANSI Z87.1. Everyday glasses have only impact resistant lenses. They are **NOT** safety glasses.
- Wear face mask or dust mask if operation is dusty.
- Be alert and think clearly. Never operate power tools when tired, intoxicated or when taking medications that cause drowsiness.

PREPARE WORK AREA FOR JOB

- Keep work area clean. Cluttered work areas invite accidents.
- Do not use power tools in dangerous environments.
- Do not use power tools in damp or wet locations. Do not expose power tools to rain.
- Work area should be properly lit.
- Proper electrical receptacle should be available for tool. Three prong plug should be plugged directly into properly grounded, three-prong receptacle.
- Extension cords should have a grounding prong and the three wires of the extension cord should be of the correct gauge.
- Keep visitors at a safe distance from work area.
- Keep children out of workplace. Make workshop child-proof. Use padlocks, master switches or remove switch keys to prevent any unintentional use of power tools.

TOOL SHOULD BE MAINTAINED

- Always unplug tool prior to inspection.
- Consult manual for specific maintaining and adjusting procedures.
- Keep tool lubricated and clean for safest operation.
- Remove adjusting tools. Form habit of checking to see that adjusting tools are removed before switching machine on.
- Keep all parts in working order. Check to determine that the guard or other parts will operate properly and perform their intended function.
- Check for damaged parts. Check for alignment of moving parts, binding, breakage, mounting and any other condition that may affect a tool's operation.
- A guard or other part that is damaged should be properly repaired or replaced. Do not perform makeshift repairs. (Use parts list provided to order replacement parts.)

KNOW HOW TO USE TOOL

- Use right tool for job. Do not force tool or attachment to do a job for which it was not designed.
- Disconnect tool when changing blades.
- Avoid accidental start-up. Make sure that the switch is in the OFF position before plugging in.
- Do not force tool. It will work most efficiently at the rate for which it was designed.
- Keep hands away from moving parts and cutting surfaces.
- Never leave tool running unattended. Turn the power off and do not leave tool until it comes to a complete stop.
- Do not overreach. Keep proper footing and balance.
- Never stand on tool. Serious injury could occur if tool is tipped or if blade is unintentionally contacted.
- Know your tool. Learn the tool's operation, application and specific limitations.

- Use recommended accessories (refer to page 17). Use of improper accessories may cause risk of injury to persons.
- Handle workpiece correctly. Protect hands from possible injury.
- Turn machine off if it jams. Blade jams when it digs too deeply into workpiece. (Motor force keeps it stuck in the work.)
- Always keep drive, cutterhead and blade guards in place and in proper operating condition.
- Feed work into blade or cutter against direction of rotation.

CAUTION: Think safety! Safety is a combination of operator common sense and alertness at all times when tool is being used.

WARNING: Do not attempt to operate tool until it is completely assembled according to the instructions.

UNPACKING

Refer to Figure 1.

Check for shipping damage. If damage has occurred, a claim must be filed with carrier. Check for completeness. Immediately report missing parts to dealer.

The jointer/planer is shipped complete in one carton. Additional parts which need to be fastened to jointer/planer should be located and accounted for before assembling.

- A Jointer Bed Assembly
- B Fence
- C Fence Support
- D Fence Bracket Assembly
- E Locking Plate Assembly
- F Fence Sliding Handle with Spacer
- G Push Blocks (2)
- H Fence Tilting Handle with Spacer
- I Dust Chute

Hardware bag includes:

- 8-1.25 x 20mm Socket Head Bolts (6)
- 8mm Lock Washer (6)
- 4 and 6mm Hex Wrench
- 6-1.0 x 25mm Pan Head Screw

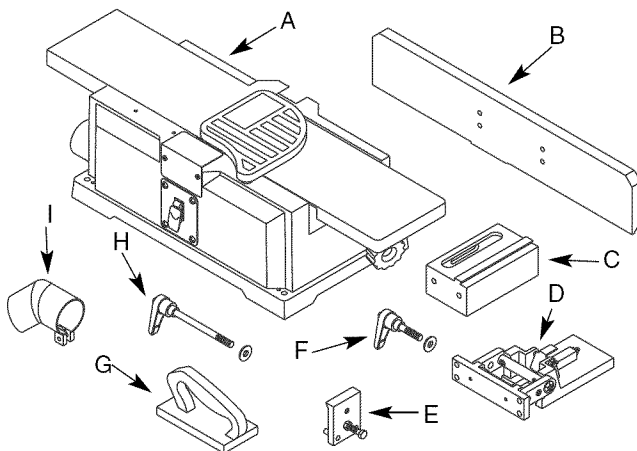


Figure 1 - Unpacking

ASSEMBLY

Refer to Figures 2, 3, 4 and 24.

ATTACH SUPPORT TO JOINTER

- Attach fence support to jointer with socket head bolts and lock washers.
- Insert locking plate assembly into support. Position plate so that pins are against bottom edge of support.
- Secure plate in position with fence sliding handle and spacer.

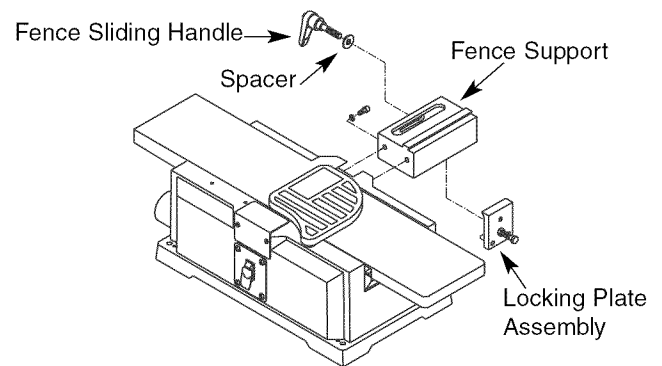


Figure 2 - Attach Fence Support

INSTALL FENCE AND FENCE BRACKET TO JOINTER

- Attach fence to fence bracket assembly with four socket head bolts and lock washers.
- Slide fence and bracket over and onto dovetails of support and locking plate.
- Continue to slide fence forward so that the fence is over the jointer tables. At this position the edge of the blade guard will rest against the fence, and the entire width of the cutterhead is covered. Secure bracket in position with fence sliding handle.
- Insert fence tilting handle with spacer through right link and thread into left link.

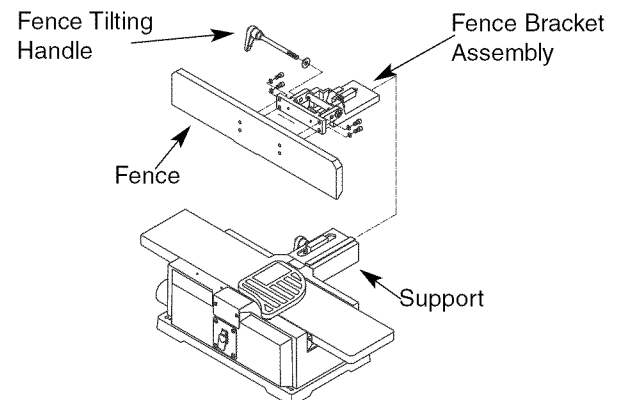


Figure 3 - Attach Fence Assembly

- Make sure limit plate (Figure 4, page 4) is resting in slot of block. Position fence against shaft and lock fence in position with fence tilting handle.

- Place a combination square against face of fence and table surface. The fence and table must be at 90° to each other. If not, loosen tilting handle, loosen hex nut and turn shaft with a screw driver until fence is square. Secure in position by tightening hex nut.
- Use a bevel gauge or protractor to check 45° inward and outward limit stops. The 45° inward stop is the hex head bolt located beneath the shaft. The 45° outward stop is located at the top of the fence. If adjustment is needed, loosen hex nut, turn hex head bolt to proper position and secure in place with hex nut.

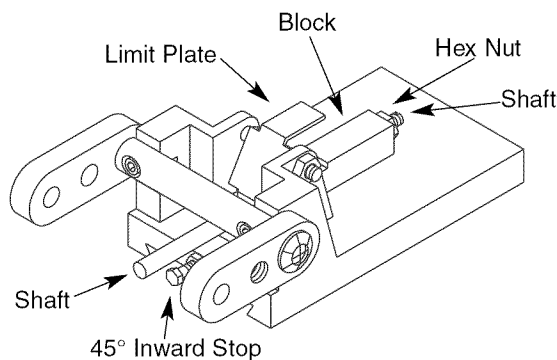


Figure 4 - Limit Stops

INSTALL DUST CHUTE

Refer to Figure 25, page 16.

- Insert pan head screw (Key No. 19) through tabs on dust chute (Key No. 18). Slide dust chute onto end of chip exhaust (Key No. 17). Tighten pan head screw.

INSTALLING THE HALF BAG DUST COLLECTION SET

Refer to Figure 5.

The Craftsman Half Bag Dust Collection Set is designed to provide dust collection for woodworking tools with a 2½" diameter dust exhaust port. The filter bag attaches to a 30-gallon trash can or a 30-gallon x 1.3 mil plastic trash bag for easy, convenient sawdust disposal (trash can and plastic trash bag not included).

To use dust collection set with a trash can:

- Place spring inside filter bag arm.
- Slide arm with spring over dust exhaust port.
- Place band of the bag over rim of trash can and secure bag by tightening strap.

To use dust collection set with a trash bag:

- Place spring inside filter bag arm.
- Slide arm with spring over dust exhaust port.
- Assemble bag support. Slide connectors into channels of support segments.
- Slide plastic trash bag inside and over bag support. Let bag overlap 3-4".
- Place band of the filter bag over and into the channel of the bag support.
- Secure in position by tightening strap.

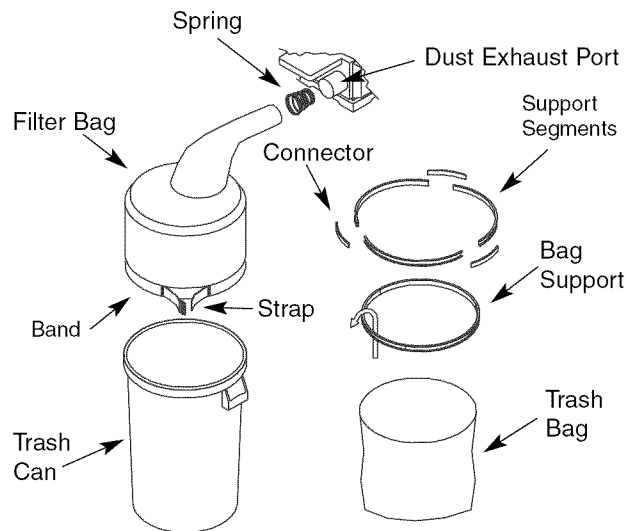


Figure 5 - Half Bag Dust Collection Set

INSTALLATION

Refer to Figure 6-9, pages 4 and 6.

The jointer/planer weighs approximately 110 lbs. when completely assembled. The jointer/planer must be installed in a place with ample lighting and correct power supply. To install jointer/planer:

- Make sure there is plenty of room for moving the workpiece through the entire cut. There must be enough room that neither the operators nor the bystanders will have to stand in line with the wood while using the tool.
- Jointer/planer can be installed on a workbench using bolts, lock washers and hex nuts (not supplied).
- The jointer/planer must be bolted to a firm, level surface.
- Make sure the jointer/planer does not rock and the tables are level.

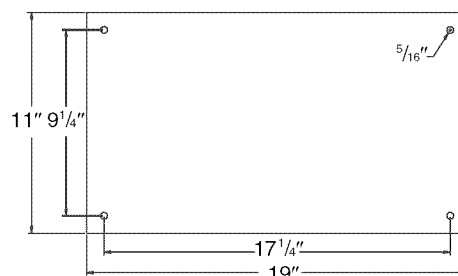


Figure 6 - Jointer/Planer Foot Print

POWER SOURCE

WARNING: Do not connect jointer/planer to the power source until all assembly steps have been completed.

The motor is designed for operation on the voltage and frequency specified. Normal loads will be handled safely on voltages not more than 10% above or below specified voltage. Running the unit on voltages which are not within range may cause overheating and motor burn-out. Heavy loads require that voltage at motor terminals be no less than the voltage specified on nameplate.

- Power supply to the motor is controlled by a rocker switch. Removing the key from rocker switch will lock the unit and prevent unauthorized use.

GROUNDING INSTRUCTIONS

WARNING: Improper connection of equipment grounding conductor can result in the risk of electrical shock. Equipment should be grounded while in use to protect operator from electrical shock.

- Check with a qualified electrician if you do not understand grounding instructions or if you are in doubt as to whether the tool is properly grounded.
- This tool is equipped with an approved cord rated at 150V and a 3-prong grounding type plug (see Figure 7) for your protection against shock hazards.
- Grounding plug should be plugged directly into a properly installed and grounded 3-prong grounding-type receptacle, as shown (see Figure 7).

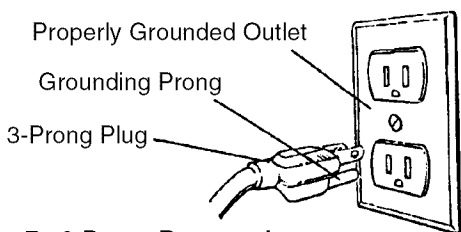


Figure 7 - 3-Prong Receptacle

- Do not remove or alter grounding prong in any manner. In the event of a malfunction or breakdown, grounding provides a path of least resistance for electrical shock.

WARNING: Do not permit fingers to touch the terminals of plug when installing or removing from outlet.

- Plug must be plugged into matching outlet that is properly installed and grounded in accordance with all local codes and ordinances. Do not modify plug provided. If it will not fit in outlet, have proper outlet installed by a qualified electrician.
- Inspect tool cords periodically, and if damaged, have repaired by an authorized service facility.
- Green (or green and yellow) conductor in cord is the grounding wire. If repair or replacement of the electric cord or plug is necessary, do not connect the green (or green and yellow) wire to a live terminal.
- A 2-prong wall receptacle must be replaced with a properly grounded 3-prong receptacle installed in accordance with National Electric Code and local codes and ordinances.

WARNING: Any receptacle replacement should be performed by a qualified electrician.

A temporary 3-prong to 2-prong grounding adapter (see Figure 8) is available for connecting plugs to a two pole outlet if it is properly grounded.

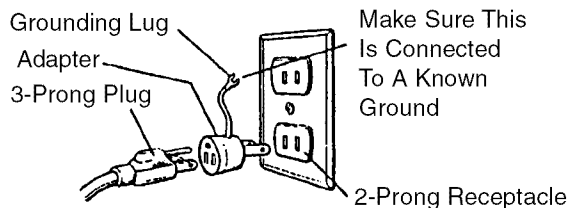


Figure 8 - 2-Prong Receptacle with Adapter

- Do not use a 3-prong to 2-prong grounding adapter unless permitted by local and national codes and ordinances. (A 3-prong to 2-prong grounding adapter is not permitted in Canada.)

Where a 3-prong to 2-prong grounding adapter is permitted, the rigid green tab or terminal on the side of the adapter must be securely connected to a permanent electrical ground such as a properly grounded water pipe, a properly grounded outlet box or a properly grounded wire system.

- Many cover plate screws, water pipes and outlet boxes are not properly grounded. To ensure proper ground, grounding means must be tested by a qualified electrician.

EXTENSION CORDS

- The use of any extension cord will cause some drop in voltage and loss of power.
- Wires of the extension cord must be of sufficient size to carry the current and maintain adequate voltage.
- Use the table to determine the minimum wire size (A.W.G.) extension cord.
- Use only 3-wire extension cords having 3-prong grounding type plugs and 3-pole receptacles which accept the tool plug.
- If the extension cord is worn, cut or damaged in any way, replace it immediately.

EXTENSION CORD LENGTH

Wire Size	A.W.G.
Up to 50 ft.	16
50-100 ft.	14

NOTE: Using extension cords over 100 ft. long is not recommended.

MOTOR

Jointer/planer is supplied with a 2 HP (max developed) motor.

The 120 Volt AC universal motor has the following specifications:

Horsepower (Maximum Developed)	2
Voltage	120
Amps	12
Hertz	60
Phase	Single
Cutterhead RPM	10,000

ELECTRICAL CONNECTIONS

WARNING: Make sure unit is turned off and disconnected from power source before inspecting any wiring.

The unit is wired as illustrated in the wiring schematic (see Figure 9).

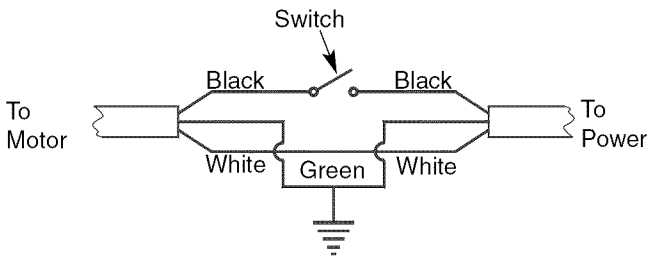


Figure 9 - Wiring Schematic

The motor is assembled with an approved three conductor cord to be used on 120 volts as indicated. The power supply to the motor is controlled by a double pole locking rocker switch.

- Remove the key to prevent unauthorized use.

The power lines are inserted directly onto the switch. The green ground line must remain securely fastened to the frame to properly protect against electrical shock.

OPERATION

Refer to Figures 10-20, pages 7-9.

DESCRIPTION

Craftsman 6 $\frac{1}{8}$ " jointer/planer is used to surface the faces and edges of boards, produce a flat surface on warped boards and shape bevels, chamfers and tapers. The jointer/planer features cast iron infeed and outfeed tables, cast iron body with smooth work surfaces and lead screws for precise table height adjustment. Balanced guide fence tilts 45° (inward) and 45° (outward). Built-in blower for chip removal. Tool comes with locking rocker switch with removable key and push blocks. Jointer/planer easily handles rough-cut lumber, planes hard and soft woods up to 6 $\frac{1}{8}$ " wide using a two blade cutterhead, and takes cuts up to $\frac{1}{8}$ ".

OPERATION SAFETY RULES

Jointing is a surfacing operation in which a small amount of wood is removed from the edges and faces of boards to get smooth, straight and even surfaces such that the two edges that run across the planing blocks would fit together perfectly, forming a seamless joint.

Planing refers to the sizing of lumber to a desired thickness while creating a level surface parallel to the opposite side of the board. Depth of cut is the term used to indicate how deep the blades will cut into the workpiece.

WARNING: Operation of any power tool can result in foreign objects being thrown into eyes which can result in severe eye damage. Always wear safety goggles complying with United States ANSI Z87.1 (shown on package) before commencing power tool operation.

WARNING: For your own safety, read all of the instructions and safety precautions before operating tool.

- Know general power tool safety. Make sure all precautions are understood (see pages 2, 3 and 6).
- Whenever adjusting or replacing any parts on jointer/planer, turn switch off and remove plug from power source.
- Make sure all guards are properly attached and securely fastened.
- Make sure all moving parts are free from interference.
- Always wear eye protection or face shield.
- Make sure blades are aligned and properly attached to cutterhead.
- Do not plug in jointer/planer unless switch is in OFF position. After turning switch on, allow jointer/planer to come to full speed before operating.
- Keep hands clear of all moving parts.
- Do not force cut. Slowing or stalling will overheat motor.
- Use quality lumber. Blades last longer and cuts are smoother with good quality wood.
- Do not perform jointing/planing operations on material shorter than 8 $\frac{1}{8}$ ", narrower than $\frac{3}{4}$ ", or less than $\frac{1}{4}$ " thick
- Never make jointing cut deeper than $\frac{1}{8}$ ".
- Always keep cutterhead and blade guards in proper working condition.
- Maintain the proper relationships of infeed and outfeed table surfaces and cutterhead blade path.
- Do not back the work toward the infeed table.
- Support the workpiece adequately at all times during operation; maintain control of the workpiece.
- Use hold-down/push blocks for jointing material narrower than 3" or planing material thinner than 3".
- Take precautions against kickback. Do not permit anyone to stand or cross in line of cutterhead's rotation. Kickback or thrown debris will travel in this direction.
- Turn switch off and disconnect power whenever jointer/planer is not in use.
- Replace or sharpen blades as they become damaged or dull.
- Do not attempt to perform an abnormal or little used operation without study and the use of adequate hold-down/push blocks, jigs, fixtures, stops and the like.
- Keep jointer/planer maintained. Follow maintenance instructions (see pages 10-11).

DEPTH OF CUT

Refer to Figure 10, page 7.

The depth of cut is adjusted by the relative positioning of the infeed table with respect to the cutterhead. Infeed table can be raised or lowered using the handwheel.

Turning the handwheel counterclockwise will lower the infeed table causing more wood to be removed from workpiece. Turning the handwheel clockwise will raise the infeed table causing less wood to be removed from workpiece.

Do not make jointing or planing cuts deeper than $\frac{1}{8}$ ".

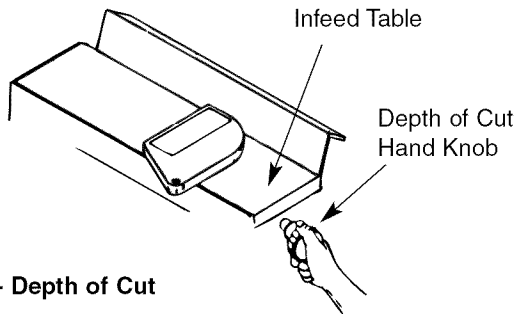


Figure 10 - Depth of Cut

CHECK DEPTH OF CUT

Refer to Figure 11.

- Place a straight edge on the outfeed table extending over the infeed table.
- Measure from the surface of the infeed table to the bottom of the straight edge. This will be the depth of cut.

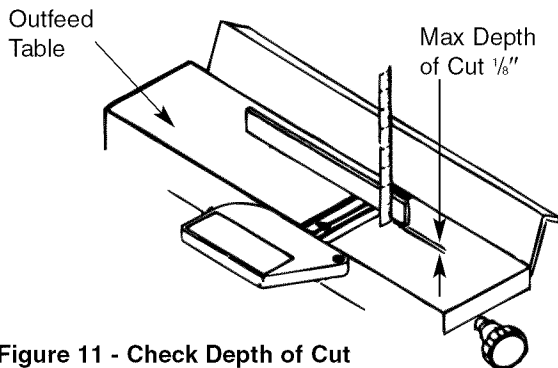


Figure 11 - Check Depth of Cut

NOTE: This jointer/planer will make a maximum $\frac{1}{8}$ " deep cut. To reduce the danger of kickback and possible injury, we recommend taking cuts of $\frac{1}{16}$ " or less.

CAUTION: Make sure the switch is in the OFF position and the cord is unplugged from power source before performing this check.

POSITIONING FENCE

The fence can be adjusted to cut any angle from 0° - 45° inward and outward. The fence can be tilted inward up to 45° (toward the cutterhead) to maintain greater stability of a narrow workpiece or up to 45° outward (away from cutterhead) for larger angle cutting operations.

To adjust tilting angle:

- Loosen fence tilting handle.
- The fence tilting handle is spring loaded. To continue turning the handle, gently pull the handle away from the fence and return it to the original position.

- Release the handle and continue loosening.
- Manually tilt fence inward/outward to the desired angle. Use a bevel scale or protractor to measure tilt angle.

NOTE: The fence has positive stops at 0° (90° from table), 45° inward and 45° outward.

- Tighten fence tilting handle.
- To continue tightening, gently pull the handle away from fence and return the handle to the original position.
- Release the handle and continue tightening.
- Make sure the fence is tight and secure.

The fence can be positioned so that any desired width of the blade is exposed.

To adjust fence position:

- Loosen fence sliding handle.
- Slide fence forward to the desired position.
- Tighten fence sliding handle.
- Make sure fence is tight and secure.

CAUTION: Do not remove blade guard. Make sure that the cutterhead is covered all the time.

CAUTION: Do not slide fence away from the jointer body. All sides of the cutterhead must be covered all the time.

BLADE GUARD

The blade guard provides protection over the cutterhead. It must always be in place and function properly. Check the guard to make sure it functions properly. To check:

- Pass a $\frac{1}{4}$ " thick piece of wood over the cutterhead between the guard and the fence. The guard will spread and leave way for the wood piece to pass. The guard must return to the original position automatically when the wood piece is removed.
- Open the blade guard all the way until it stops, and release it several times. It should always return to its original position by spring action.

CAUTION: If the blade guard fails to operate properly, the spring must be replaced or adjusted.

- To replace spring, contact your nearest Sears store or service center.
- To adjust or to assemble spring see "Adjusting Blade Guard", page 10.

ADJUSTING BLADE HEIGHT

Refer to Figures 12-14, page 8.

CAUTION: Make sure the switch is in the OFF position and cord is unplugged before proceeding with checking blades.

The blades have been adjusted at the factory to assure proper operation and should require no adjustment. However, shipping and handling may have caused misalignment. For accurate cutting, the blades must be as high as the outfeed table when positioned at the highest point. To check blade height:

- Block the blade guard from closing using a scrap piece of wood about 6¼" long between the fence and blade guard.

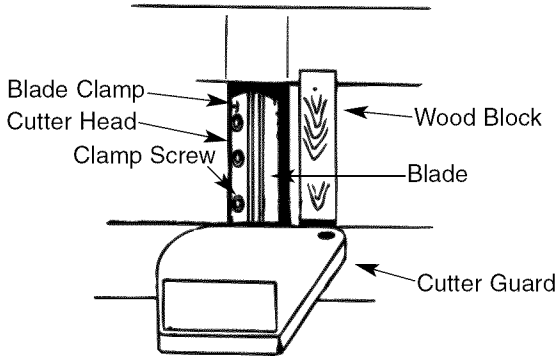


Figure 12 - Block Blade Guard

- Turn the cutterhead so that one of the blades is at the highest position.

CAUTION: The cutterhead blades are extremely sharp. Do not let your fingers contact the cutting edge at any time.

- Place a straightedge over the outfeed table and the blade.

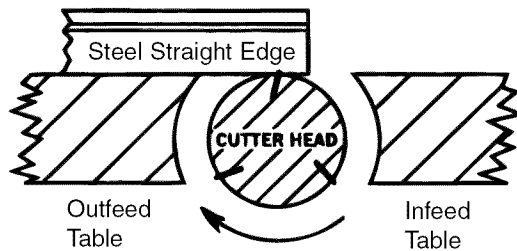


Figure 13 - Checking Outfeed Table Alignment

- The straight edge must touch evenly on the outfeed table at both ends of the blade.
- Rotate the cutterhead by hand. The blades should just touch the straightedge. If a blade is too low or too high at either end, adjust blade height using the jack screws.

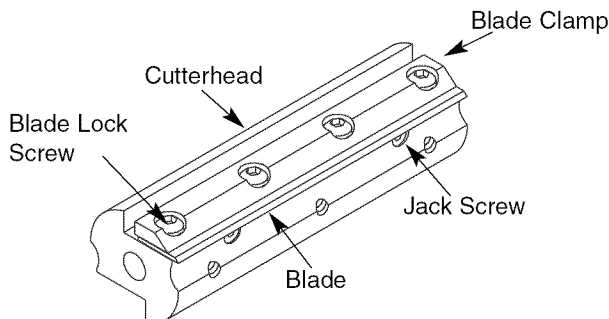


Figure 14 - Cutterhead Assembly

AVOID DAMAGE TO BLADES

Jointer/planer is a precision woodworking machine and should only be used on quality lumber. Using bad lumber could result in a poor quality cut on subsequent pieces.

For proper operation, it is preferable to use the jointer with a dust collecting system (see Using a Vacuum Hose, page 9) attached to the exhaust port in the rear of the jointer. Attaching a dust collecting system is especially required when taking deeper cuts to prevent clogging of wood chips.

- Do not use dirty boards. Dirt and stones are abrasive and will wear blade.
- Remove nails and staples. Jointer should only cut wood.
- Avoid knots. Heavy cross-grain makes knots hard and they can come loose and jam the jointer.
- Assess value of badly warped boards. Operator can be tempted to use too deep of cut to square boards quickly. Use several passes to maintain a level surface.

ON-OFF SWITCH

Refer to Figure 15.

The operating positions of the On-Off switch are located on the front of your jointer/planer.

- Push the switch up to turn jointer/planer on and push down to turn the unit off.
- The switch has a removable key that allows the unit to be locked in the OFF position.

To activate locking mechanism:

- Push the switch to OFF position.
- Pull switch key.

To deactivate locking mechanism:

- Insert and press switch key in the slot on switch.

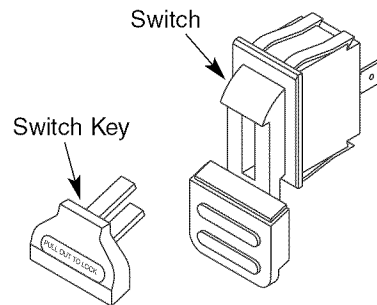


Figure 15 - On-Off Switch

WARNING: Be sure the switch is in OFF position and the cord is unplugged from the power source before removing switch key.

FEEDING WORKPIECE

Refer to Figures 16-19, page 9.

Feed rate refers to rate at which wood is passed over blades. An even feed will produce a uniform surface. To feed workpiece:

- Hold the board firmly down on both tables and against the fence.

- Keep fingers close together.
- Feed the board at a continuous even rate of speed. Any hesitation or stopping could cause a “step” to be cut on the edge of the board.

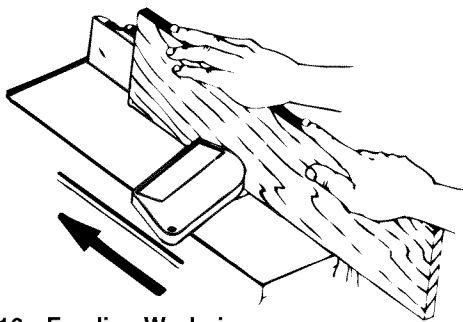


Figure 16 - Feeding Workpiece

- As the trailing hand passes over the cutterhead, remove the leading hand.
- Continue feeding while placing the leading hand behind the trailing hand until the entire length of the board is cut.

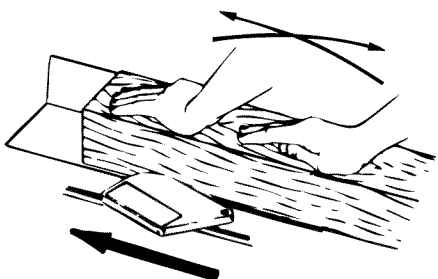


Figure 17 - Guiding Workpiece

- Feed with the grain whenever possible.

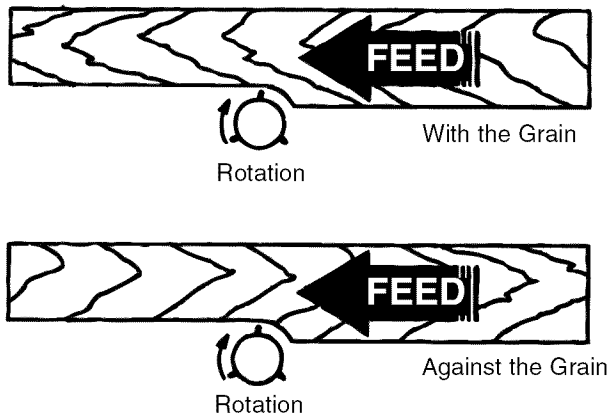


Figure 18 - Direction of Feed

- If the nature of the workpiece is such that it must be fed against the grain, take very light cuts and feed slowly.
- When using long workpieces, to avoid injury from slips or kickbacks and to exert even pressure on the cutterhead, use extra supports (see Recommended Accessories, page 17) at both infeed and outfeed ends.

USING HOLD DOWN/PUSH BLOCKS

Refer to Figure 19.

- Always use hold-down/push-blocks when jointing, or rabbeting wood that is narrower than 3”, planing wood thinner than 3”.

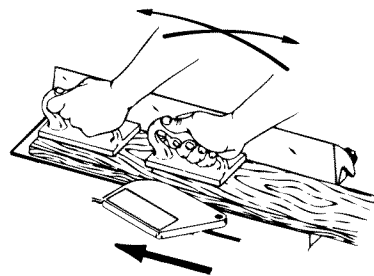


Figure 19 - Feeding with Push Blocks

- Grasp the hold-down/push-blocks firmly.
- Position the push-blocks flat on top of workpiece and push the workpiece down against the table.
- Use a hand-over-hand motion to maintain control over the workpiece at all times.
- When planing workpiece between $\frac{1}{2}$ - $\frac{3}{4}$ ” and narrower than the push-blocks, tilt the push-blocks so that it clears the cutterhead guard while feeding.

BEVELING AND CHAMFERING

Refer to Figure 20.

- The fence on the jointer/planer is adjustable from 45° inward to 45° outward. Adjust the fence to the desired angle and tighten fence tilting handle
- Beveling refers to cutting the entire edge of a board at an angle. Beveling may require several passes due to the depth of cut needed.
- Chamfering refers to removing only the corner of the edge of a board. Normally a chamfer is made on one pass; so a $\frac{1}{16}$ ” depth of cut is made.

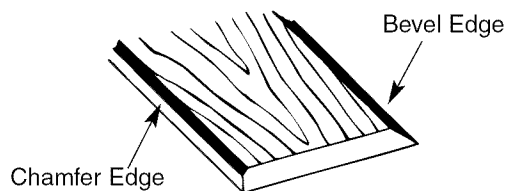


Figure 20 - Beveling and Chamfering

USING A VACUUM HOSE

A standard dust collection hose can be attached to the exhaust port (2 $\frac{1}{2}$ ” Dia.) underneath the outfeed table. Jointer will perform properly at all depths of cuts up to $\frac{1}{8}$ ” when used with a dust collecting system. (See “Avoid Damage to Blades”, page 8.) To attach a dust collecting system:

- Insert the dust collection hose to the exhaust port on the rear of the jointer.
- Turn the dust collecting system on.
- Turn the jointer on.
- Periodically replace/empty bag in dust collecting system.

MAINTENANCE

WARNING: Turn the switch to OFF position and unplug jointer/planer from power source before proceeding to do maintenance work.

CHECKING FOR WORN BLADES

Condition of blades will affect precision of cut. If blade wear is not observed when checking the blade height, the quality of cut will indicate the blade condition. Dull blades will tear rather than sever wood fiber. A raised grain will occur when dull blades pound on wood where there is difference in density. A raised ridge will be produced where the blades have been nicked.

SHARPENING BLADES

Refer to Figure 21.

The blades can be honed individually by whetting them with a fine sharpening stone. Make sure oilstone is flat and is not worn. To sharpen blades:

- Partially cover the stone with paper to protect the table top.
- Position infeed table so stone will contact blade along its beveled surface.
- Stroke the stone across blade from one side to other while stone is also moved slightly in the direction of feed.
- Make sure to do the same number of strokes on each place.

If the blades are nicked they must be replaced or reground. They can be reground several times until they become $\frac{13}{16}$ " wide.

NOTE: Many shops do not have capabilities to resurface blades. Yellow pages should list "Sharpening Services" or "Tool Grinding."

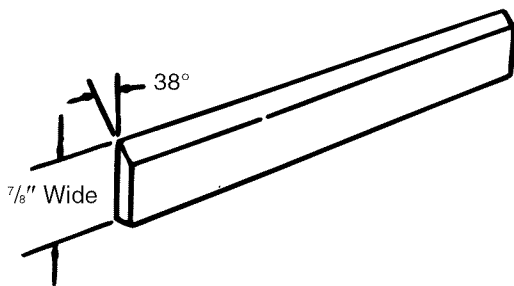


Figure 21 - Sharpening Blades

Never install unbalanced blades or reground blades less than $\frac{13}{16}$ " wide.

REPLACING BLADES

Refer to Figure 22.

- Unplug the jointer/planer from power source and turn the switch to OFF position.
- Block the blade guard from closing down.
- Loosen and remove three blade lock screws securing blade and blade clamp.

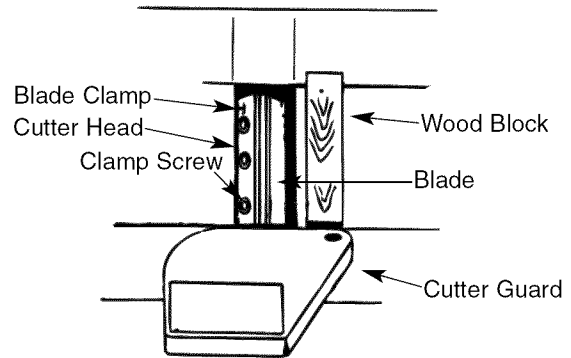


Figure 22 - Block Blade Guard

- Lift blade and blade clamp from cutterhead
- Clean any sawdust and resin buildup from cutterhead and blade clamp.
- Place blade clamp against the replacement blade and replace in cutterhead.
- Secure blade and blade clamp using three blade lock screws. Do not tighten blade lock screws.

NOTE: Check blade height at both ends of blade (see Adjusting Blade Height, page 7).

- Tighten blade lock screws.
- Recheck blade adjustment and make sure blade is still level with outfeed table.
- Repeat the procedure to replace the other blade.
- Remove the scrap wood and release blade guard.
- Make sure all the blade lock screws are tight and snug.

ADJUSTING BLADE GUARD

Refer to Figure 25, page 16.

CAUTION: Do not lubricate the pivot point of the blade guard. Oil and lubricating products may contain chemicals that can damage and/or destroy blade guard or other plastic parts.

The blade guard needs adjustment or spring replacement if it does not cover the cutterhead when released. To adjust or replace spring:

- Lay the jointer/planer on the side so that the switch is facing upward.
- Remove four screws and bottom cover (Key Nos. 37 and 54).
- Loosen and remove screw, washer and spring (Key Nos. 13, 12 and 11) under the base that secures the blade guard.
- Slide out blade guard.
- If the spring is out of tension, it must be replaced. Remove screw (Key No. 8) that retains spring. Contact your nearest Sears store or service center for replacement.
- Replace new spring so that the short arm of the spring is held by screw (Key No. 8).
- Position blade guard so that the long arm of the spring is against the wall of the blade guard.
- Secure blade guard using spring, washer and pan head screw.

- Replace bottom cover. Secure with screws.
- Make sure blade guard functions appropriately.

REPLACING DRIVE BELT

Refer to Figures 23 and 25.

- Turn the switch to OFF position and unplug the tool from power source.
- Lay the jointer/planer on the side so that the switch is facing upward.
- Remove four screws and bottom cover (Key Nos. 37 and 54).
- Remove two screws and access cover (Key Nos. 37 and 38).
- Remove fan belt (Key No. 31) from cutterhead pulley by turning belt and maintaining pressure.
- Remove four bolts (Key No. 24) that retain motor mounting plate (Key No. 49).

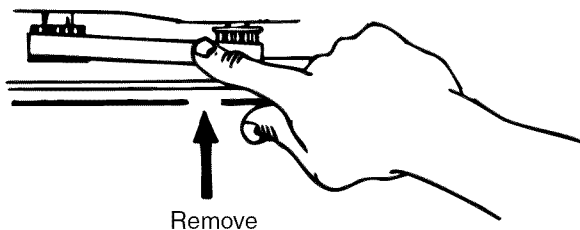


Figure 23 - Replacing Timing Belt

- Remove drive belt (Key No. 53).
- Replace with new drive belt. Make sure belt seats fully in grooves of both pulleys and install motor plate to base with the four bolts. Do not completely tighten bolts.
- Push motor assembly towards the right to apply tension to the drive belt. Tighten bolts securely.
- Replace fan belt onto cutterhead pulley, making sure belt seats properly in grooves of both pulleys.
- Replace access cover using two screws
- Replace bottom cover using four screws.

REPLACING FAN BELT

- Turn the switch to OFF position and unplug the tool from power source.
- Lay the jointer/planer on the side so that the switch is facing upward.
- Remove four screws and bottom cover (Key Nos. 37 and 54).
- Remove two screws and access cover (Key Nos. 37 and 38).
- Loosen chip exhaust housing (Key No. 21) by removing two socket head bolts (Key No. 24).
- Remove old fan belt and place new belt over fan pulley.

- Attach chip exhaust housing to base with the two belts.
- Pull belt over cutterhead pulley making sure the belt seats in grooves of both pulleys.

GENERAL MAINTENANCE

Jointer/planer will operate best if it is kept in good operating condition. Keep unit adjusted as described in "Operation."

- Do not allow gum and pitch to accumulate on the tables, fence, blades and blade guard.
- Apply a thin coat of paste type wax to the tables and the fence so that the wood slides easily while feeding.
- Keep blades sharp (see Sharpening Blades, page 9). Sometimes replacing blades is less expensive than resurfacing them. Keeping a spare set of blades on hand is recommended. Blades should always be sharpened or replaced in sets of two.

LUBRICATION

WARNING: Make sure the switch is in the OFF position and the tool is disconnected from the power source.

WARNING: Do not at any time let brake fluids, gasoline, penetrating oils, etc. come in contact with plastic parts. They contain chemicals that can damage and/or destroy plastics.

- Motor and cutterhead bearings are sealed and need no lubrication.
- Fence, fence bracket and elevation screws should be cleaned of debris and greased as needed.

MACHINED SURFACES

- Surface of tables and fence must be kept smooth and clean for easy work feed.
- Apply a paste wax to surfaces to keep them slick and prevent corrosion.

BRUSH INSPECTION AND REPLACEMENT

WARNING: Turn jointer off and disconnect from power source. Brush life depends on amount of load on motor. Regularly inspect brushes after 100 hours of use. Brushes are located on either side of motor.

Refer to Figure 25, page 16.

- Loosen brush cap (Key No. 44) and remove brush (Key No. 45) from motor.
- Replace brushes if springs are worn.
- Replace brushes if carbon is worn to $\frac{3}{8}$ " length or less.

NOTE: Replace brushes in sets only.

- Replace brushes and tighten brush cap.

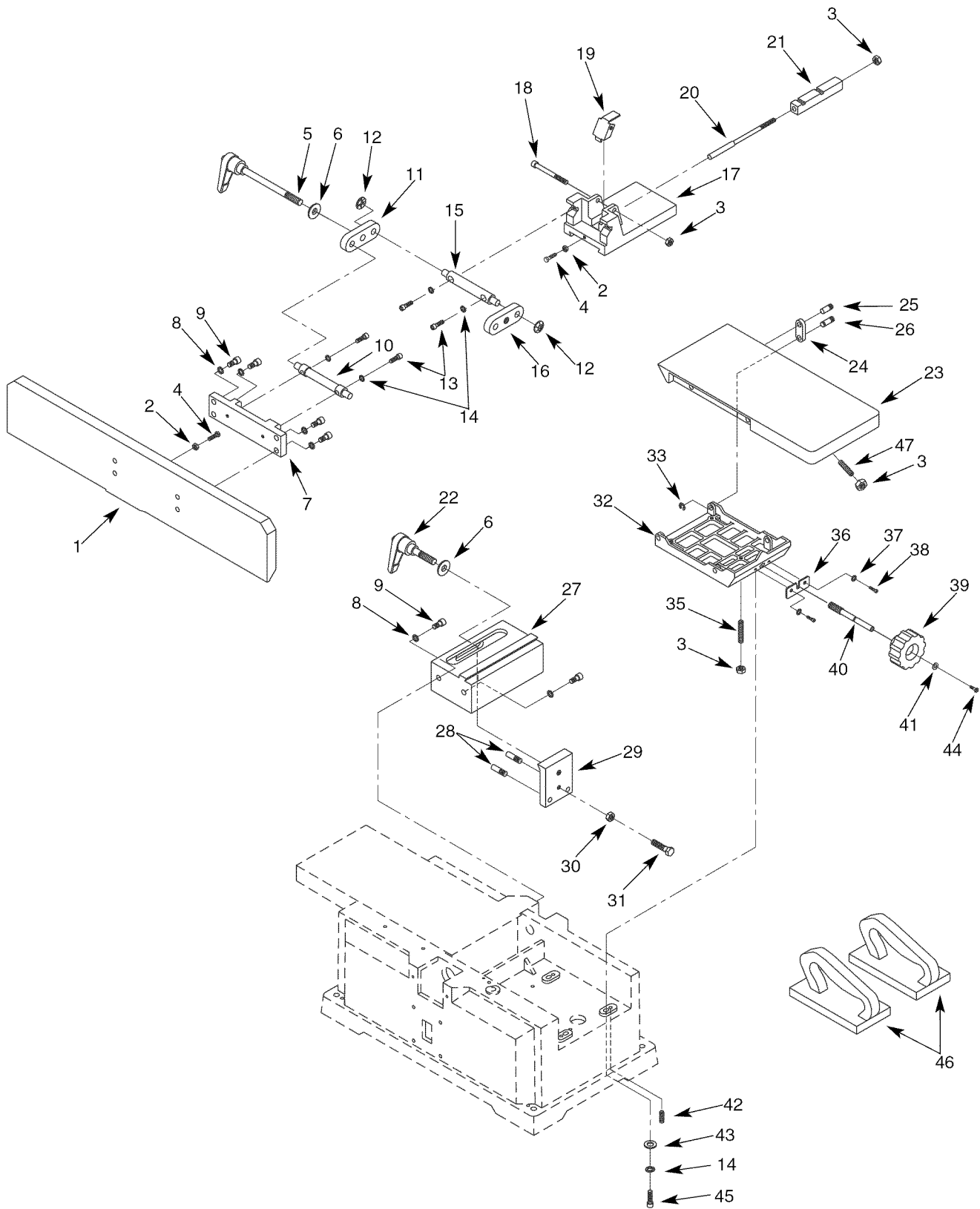
TROUBLESHOOTING

SYMPTOM	POSSIBLE CAUSE(S)	CORRECTIVE ACTION
Motor does not start	<ol style="list-style-type: none"> 1. Defective switch 2. Defective motor 3. Low line voltage 	<ol style="list-style-type: none"> 1. Have switch replaced 2. Have motor replaced/repared <p>NOTE: 1 and 2 must be done by a qualified service technician; Consult Sears service.</p> <ol style="list-style-type: none"> 3. Correct low line voltage condition
Motor stalls (resulting in blown fuses or tripped circuit breakers)	<ol style="list-style-type: none"> 1. Circuit overloaded 2. Low line voltage 3. Motor overloaded 4. Incorrect fuses on circuit breakers 5. Short circuit in motor; loose connections or worn insulation on lead wires 6. Clogged wood chips 	<ol style="list-style-type: none"> 1. Reduce circuit load (turn off other appliances) 2. Correct low line voltage conditions 3. Reduce load on motor 4. Have correct fuses on circuit breakers installed 5. Inspect terminals in motor for damaged insulation and shorted wires and have them replaced 6. Take shallow depth of cut and attach a shop-vac to exhaust port. Inspect chip blower assembly and fan belt
Motor starts slowly or fails to come to full speed	<ol style="list-style-type: none"> 1. Defective motor windings 2. Clogged wood chips 	<ol style="list-style-type: none"> 1. Have motor replaced/repared. 2. Take shallow depth of cut and attach a shop-vac to exhaust port. Inspect chip blower assembly and fan belt
Motor running too hot	<ol style="list-style-type: none"> 1. Motor overloaded 2. Restricted air circulation due to dust accumulation 	<ol style="list-style-type: none"> 1. Reduce load on motor 2. Clean dust and restore normal air circulation
Frequent opening of fuses or circuit breakers	<ol style="list-style-type: none"> 1. Motor overloaded 2. Fuses or circuit breakers do not have sufficient capacity 3. Circuit overloaded 	<ol style="list-style-type: none"> 1. Reduce load on motor 2. Have correct fuses or circuit breakers installed 3. Reduce circuit load (turn off other appliances)
Snipe (gouging at end of boards)	<ol style="list-style-type: none"> 1. Dull blades 2. Inadequate support of long boards 3. Uneven feed 	<ol style="list-style-type: none"> 1. Replace or sharpen blades. See "Sharpening Blades," page 10 2. Support long boards. See "Recommended Accessories," page 17 3. See "Feeding Workpiece," page 8
Uneven depth of cut	<ol style="list-style-type: none"> 1. Blade height not uniform 2. Fence not perpendicular to jointer bed 3. Feeding wood too fast 	<ol style="list-style-type: none"> 1. Adjust blade height. See "Adjusting Blade Height," page 7 2. See "Install Fence and Fence Bracket to Jointer" page 3 3. Feed wood slower
45° cuts inaccurate	<ol style="list-style-type: none"> 1. Fence stops not adjusted properly 2. Fence bottom not even with outfeed table due to wood chips under fence 	<ol style="list-style-type: none"> 1. Adjust fence stops. See "Install Fence and Fence Bracket to Jointer," page 3 2. Clean wood chips from underside of fence
Fuzzy grain	Planing wood with high moisture	Remove high moisture content from wood by drying
Torn grain	<ol style="list-style-type: none"> 1. Too heavy a cut 2. Blades cutting against grain 3. Dull blades 	<ol style="list-style-type: none"> 1. Reduce depth of cut 2. Feed work along grain 3. Replace or sharpen blades

NOTES

Model 351.217880

Figure 24 - Replacement Parts Illustration for Fence and Infeed Table



REPLACEMENT PARTS LIST FOR FENCE AND INFEED TABLE

KEY NO.	PART NO.	DESCRIPTION	QTY.
1	18963.00	Fence	1
2	STD840508	5-0.8mm Hex Nut*	2
3	STD840610	6-1.0mm Hex Nut*	4
4	18954.00	5-0.8 x 25mm Hex Head Bolt	2
5	18410.00	Handle	1
6	18454.00	Spacer	2
7	18411.00	Fence Plate	1
8	STD852008	8mm Lock Washer*	6
9	01822.00	8-1.25 x 20mm Socket Head Bolt	6
10	18412.00	Plate Shaft	1
11	18413.00	Right Link	1
12	18414.00	10mm Push Nut	2
13	00179.00	6-1.0 x 20mm Socket Head Bolt	4
14	STD852006	6mm Lock Washer*	8
15	18415.00	Bracket Shaft	1
16	18416.00	Left Link	1
17	18417.00	Fence Bracket	1
18	06101.00	6-1.0 x 50mm Socket Head Bolt	1
19	18418.00	Limit Plate	1
20	18419.00	Shaft	1
21	18420.00	Block	1
22	18421.00	Handle	1
23	18422.00	Infeed Table	1
24	18423.00	Bracket	4

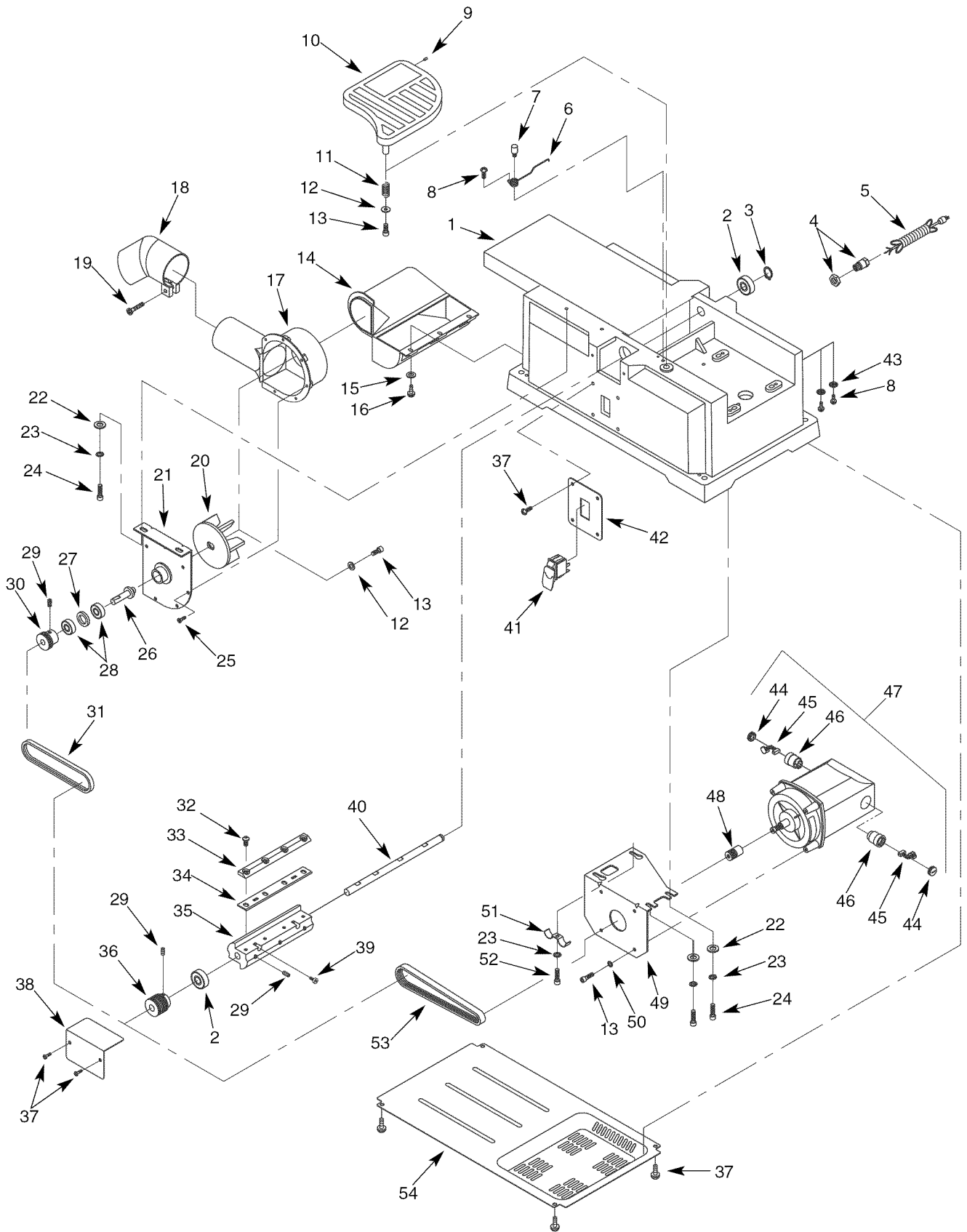
KEY NO.	PART NO.	DESCRIPTION	QTY.
25	18424.00	Table Pin	4
26	18425.00	Frame Pin	4
27	18426.00	Fence Support	1
28	18427.00	Pin	2
29	18428.00	Locking Plate	1
30	STD840812	8-1.25mm Hex Nut*	1
31	00979.00	8-1.25 x 35mm Hex Head Bolt	1
32	18965.00	Table Frame	1
33	09845.00	3CMI-6 E-ring	4
34	09721.00	6-1.0 x 30mm Set Screw	1
35	05224.00	6-1.0 x 35mm Set Screw	1
36	18430.00	Support Plate	1
37	STD852005	5mm Lock Washer*	2
38	03855.00	5-1.0 x 16mm Set Screw	2
39	18431.00	Knob	1
40	18432.00	Elevation Screw	1
41	STD851005	5mm Flat Washer*	1
42	01640.00	6-1.0 x 16mm Set Screw	4
43	STD851006	6mm Flat Washer*	4
44	01784.00	5-0.8 x 10mm Pan Head Screw	1
45	18955.00	6-1.0 x 30mm Socket Head Bolt	4
46	9-23000	Push Block (set of 2)	1
47	09721.00	6-1.0 x 30mm Set Screw	1

* Standard hardware item available locally

△ Not Shown

Model 351.217880

Figure 25 - Replacement Parts Illustration for Base



REPLACEMENT PARTS LIST FOR BASE

KEY NO.	PART NO.	DESCRIPTION	QTY.
1	N/A	Base with Outfeed Table	1
2	STD315215	6201ZZ Ball Bearing	2
3	00519.00	3AMI-12 Retaining Ring	1
4	08077.00	Strain Relief	1
5	00090.00	Line Cord	1
6	18440.00	Spring	1
7	18441.00	Pin	1
8	01903.00	4-0.7 x 10mm Pan Head Screw	3
9	18958.00	Bumper	1
10	18957.00	Blade Guard	1
11	18964.00	Spring	1
12	00968.00	Washer	2
13	03855.00	5-0.8 x 10mm Socket Head Bolt	6
14	18959.00	Chip Collector	1
15	STD81005	5mm Flat Washer	3
16	01784.00	5-0.8 x 10mm Pan Head Screw	3
17	18960.00	Chip Exhaust	1
18	18962.00	Dust Chute	1
19	01874.00	6-1.0 x 20mm Pan Head Screw	1
20	18449.00	Impeller	1
21	18448.00	Chip Blower Mounting Plate	1
22	STD851006	6mm Flat Washer	5
23	STD852006	6mm Lock Washer	6
24	01505.00	6-1.0 x 12mm Socket Head Bolt	5
25	18462.00	Thread Forming Screw	6
26	18447.00	Fan Shaft	1
27	18446.00	Spacer	1
28	STD315505	6000ZZ Ball Bearing	2

KEY NO.	PART NO.	DESCRIPTION	QTY.
29	01043.00	6-1.0 x 8mm Set Screw	5
30	18445.00	Fan Pulley	1
31	18444.00	Fan Belt	1
32	18455.00	1/4-20 x 5/8" Socket Head Pan Screw	8
33	18456.00	Blade Clamp	2
34	9-22994	Blade (set of 2)	1
35	18458.00	Cutterhead	1
36	18460.00	Drive Pulley	1
37	06701.00	5-0.8 x 8mm Pan Head Screw	10
38	18461.00	Access Cover	1
39	18459.00	Jack Screw	4
40	18443.00	Shaft	1
41	16080.00	Switch	1
42	18442.00	Switch Plate	1
43	05156.00	4mm Serrated Washer	2
44	02861.00	Brush Cap	2
45	02862.00	Carbon Brush (set of 2)	1
46	02863.00	Brush Holder	2
47	18433.00	Motor	1
48	18434.00	Motor Pulley	1
49	18436.00	Motor Mounting Plate	1
50	STD852005	5mm Lock Washer	4
51	02621.00	Cord Clamp	1
52	01760.00	6-1.0 x 16mm Socket Head Bolt	1
53	18438.00	Drive Belt	1
54	18961.00	Cover	1
Δ	18625.00	Half Bag Dust Collection Set	1
Δ	18453.02	Operator's Manual	1

* Standard hardware item available locally

Δ Not Shown

N/A Not Available

Recommended Accessories

Δ	Blade (set of 2)	9-22994
---	------------------	---------

CEPILLO MECANICO/ CEPILLADORA DE BANCO de 6 1/8"

Modelo No.
351.217880

PRECAUCION: Lea y siga todas las Reglas de Seguridad y las Instrucciones de Operación antes de usar este producto por primera vez.

CONTENIDO

Inglés	2-17
Ilustración y Lista de Partes	14-17
Garantía	18
Reglas de Seguridad	18-19
Desempaque	19
Montaje	19-20
Instalación	20-22
Operación	22-25
Mantenimiento	26-27
Identificación de Problemas	28

GARANTIA

GARANTIA COMPLETA DE UN AÑO

Si fallara este producto por causa de defectos en el material en la mano de obra en un lapso de un año a partir de la fecha de compra, Sears lo reparará o reemplazará, a su elección, sin costo adicional. Solicite al Centro de servicio Sears (1-800-4-MY-HOME) más cercano la reparación del producto o devuélvalo al establecimiento donde lo adquirió.

Si este producto se usa para fines comerciales o de alquiler, esta garantía es válida por 90 días a partir de la fecha de compra. Esta garantía aplica únicamente cuando el producto se utiliza en los Estados Unidos.

Esta garantía le otorga derechos legales específicos y también puede usted tener otros derechos que varíen de estado a estado.

Sears, Roebuck and Co., Dept. 817WA, Hoffman Estates, IL 60179

REGLAS DE SEGURIDAD

ADVERTENCIA: Por su propia seguridad, lea todas las normas y precauciones antes de manejar la herramienta.

PRECAUCION: Siempre siga los procedimientos de operación correctos, tal como se definen en este manual, aun cuando esté familiarizado con el uso de ésta o de otras herramientas similares. Recuerde que descuidarse aunque sólo sea por una fracción de segundo puede ocasionarle graves lesiones.

EL OPERADOR DEBE ESTAR PREPARADO PARA EL TRABAJO

- Use ropa apropiada. No use ropa holgada, guantes, corbatas, anillos, pulseras ni otras joyas que puedan atascarse en las piezas móviles de la máquina.

- Use una cubierta protectora para el cabello, para sujetar el cabello largo.
- Use zapatos de seguridad con suelas antideslizantes.
- Use gafas de seguridad que cumplan con la norma ANSI Z87.1 de los Estados Unidos. Los anteojos comunes tienen lentes que sólo son resistentes al impacto. **NO** son anteojos de seguridad.
- Use una máscara para la cara o una máscara contra el polvo, si al utilizar la herramienta se produce mucho polvo.
- Esté alerta y piense claramente. Nunca opere herramientas mecánicas cuando esté cansado, intoxicado o bajo la influencia de medicación que produzca somnolencia.

PREPARE EL AREA DE TRABAJO PARA LA TAREA A REALIZAR

- Mantenga el área de trabajo limpia. Las áreas de trabajo desordenadas atraen accidentes.
- No use herramientas mecánicas en ambientes peligrosos.
- No use herramientas mecánicas en lugares húmedos o mojados. No exponga las herramientas mecánicas a la lluvia.
- El área de trabajo debe estar iluminada adecuadamente.
- Debe haber disponible una toma de corriente adecuada para la herramienta. El enchufe de tres puntas debe enchufarse directamente a un receptáculo para tres puntas puesto a tierra correctamente.
- Los cordones de extensión deben tener una punta de conexión a tierra y los tres alambres del cordón de extensión deben ser del calibre correcto.
- Mantenga a los visitantes a una distancia prudente del área de trabajo.
- Mantenga a los niños fuera del lugar de trabajo. Haga que su taller sea a prueba de niños. Use candados, interruptores maestros y remueva las llaves del arrancador para impedir cualquier uso involuntario de las herramientas mecánicas.

SE DEBE DAR MANTENIMIENTO A LA HERRAMIENTA

- Desenchufe siempre la herramienta antes de inspeccionarla.
- Consulte el manual para informarse sobre los procedimientos de mantenimiento y ajuste específicos.
- Mantenga la herramienta lubricada y limpia de modo que funcione de la manera más segura.
- Retire las herramientas de ajuste. Desarrolle el hábito de verificar que hayan sido retiradas las herramientas de ajuste antes de encender la máquina.
- Mantenga todas las partes listas para funcionar. Revise el protector u otras piezas para determinar si funcionan correctamente y hacen el trabajo que deben hacer.
- Revise que no haya partes dañadas. Verifique el alineamiento de las partes móviles, si hay atascamiento, roturas y montaje o cualquier otra condición que pudiera afectar el funcionamiento de la herramienta.
- Si hay una protección o cualquier otra parte dañada, éstas deberán repararse correctamente o ser reemplazadas. No haga reparaciones provisionales (vélgase de la lista de piezas incluida para solicitar piezas de reemplazo).

EL OPERADOR DEBE SABER COMO USAR LA HERRAMIENTA

- Use la herramienta correcta para cada trabajo. No fuerce la herramienta o el accesorio ni los use para una tarea para la que no fueron diseñados.
- Cuando cambie las cuchillas, desconecte la herramienta.

- Evite que la herramienta se encienda por accidente. Asegúrese de que el interruptor está en la posición OFF (apagado) antes de enchufar.
- No fuerce la herramienta. Funcionará en la forma más eficiente a la velocidad para la cuál se diseñó.
- Mantenga las manos alejadas de las partes móviles y de las superficies cortadoras.
- Nunca deje desatendida una herramienta en funcionamiento. Desconéctela y no abandone el lugar hasta que se haya detenido por completo.
- No trate de alcanzar demasiado lejos. Manténgase firme y equilibrado.
- Nunca se pare sobre la herramienta. Se pueden producir lesiones graves si la herramienta se vuelca o hace contacto con la cuchilla sin intención.
- Conozca su herramienta. Aprenda a manejar la herramienta, su aplicación y limitaciones específicas.
- Use los accesorios recomendados (consulte la página 17). Si se usan accesorios incorrectos, puede sufrir lesiones o lesionar a alguien.
- Maneje la pieza de trabajo en forma correcta. Protéjase las manos de posibles lesiones.
- Apague la máquina si se atasca. La hoja se atasca si se introduce muy profundamente en la pieza de trabajo (la fuerza del motor la mantiene trabada en la pieza de trabajo).
- Siempre mantenga los protectores de la transmisión, el portacuchilla y la cuchilla en su lugar y en adecuadas condiciones de funcionamiento.
- Introduzca la pieza de trabajo en la cuchilla o cortadora en sentido contrario al de rotación.

PRECAUCION: ¡Piense en la seguridad! La seguridad es una combinación del sentido común del operador y un estado de alerta permanente al usar la herramienta.

ADVERTENCIA: No trate de operar la herramienta hasta que haya sido completamente armada según las instrucciones.

DESEMPAQUE

Consulte la Figura 1.

Verifique que no hayan ocurrido daños durante el envío. Si hay daños, se deberá presentar un reclamo a la compañía de transporte. Verifique que esté completa. Avise inmediatamente al distribuidor si faltan partes.

El cepillo mecánico/cepilladora de banco se envía completo en una caja. Es necesario localizar y tomar en cuenta las piezas adicionales que deben asegurarse al cepillo mecánico/cepilladora antes de armar:

- A Conjunto de la bancada del cepillo mecánico
- B Guía
- C Soporte de la guía
- D Conjunto de la pieza de montaje de la guía
- E Conjunto de la placa de sujeción
- F Manivela de desplazamiento de la guía con anillo separador
- G Bloques de empuje (2)
- H Manivela de inclinación de la guía con anillo separador
- I Canal para polvo

La bolsa de artículos de ferretería incluye:

- Pernos de cabeza hueca, 8-1.25 x 20 mm (6)
- Arandela de seguridad de 8 mm (6)
- Llave hexagonal de 4 y 6 mm
- Tornillo de cabeza de placa, 6-1.0 x 25 mm

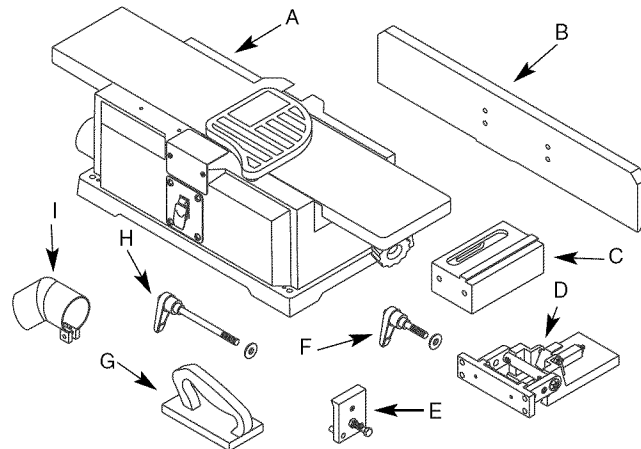


Figura 1 – Desempaque

MONTAJE

Consulte las Figuras 2, 3, 4 y 24.

FIJE EL SOPORTE AL CEPILLO MECÁNICO

- Fije el soporte de la guía al cepillo mecánico mediante pernos de cabeza hueca y arandelas de seguridad.
- Inserte el conjunto de la placa de sujeción en el soporte. Coloque la placa de modo que los pasadores queden contra el borde inferior del soporte.
- Fije la placa en su lugar mediante la manivela de desplazamiento de la guía y el anillo separador.

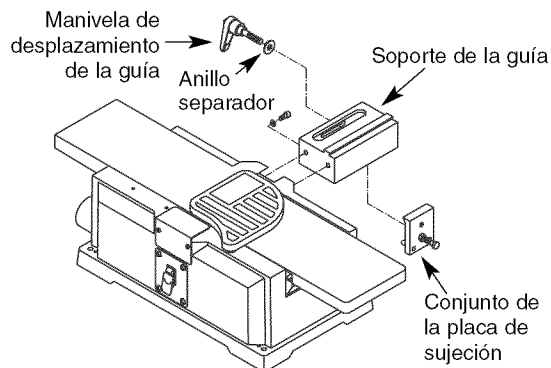


Figura 2 – Fije el Soporte de la Guía

INSTALE LA GUIA Y LA PIEZA DE MONTAJE DE LA GUIA EN EL CEPILLO MECÁNICO

- Fije la guía al conjunto de pieza de montaje de la guía mediante cuatro pernos de cabeza hueca y arandelas de seguridad.
- Deslice la guía y la pieza de montaje sobre las colas de milano del soporte y la placa de sujeción.
- Siga deslizando la guía hacia delante de modo que quede sobre las planchas del cepillo mecánico. En esta posición, el borde del protector de las cuchillas descansa sobre la guía y el portacuchilla queda cubierto a todo lo ancho. Fije la pieza de montaje en su lugar mediante la manivela de desplazamiento de la guía.

- Inserte la manivela de inclinación de la guía con el anillo separador por el eslabón derecho y enrosque en el eslabón izquierdo.

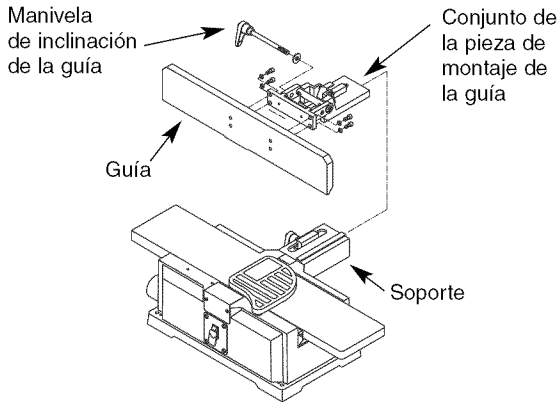


Figura 3 – Instale el Conjunto de la Guía

- Cerciórese de que la placa limitadora (véase la Figura 4) descansa en la ranura del bloque. Coloque la guía contra el vástago y fíjela en su lugar mediante la manivela de inclinación.
- Coloque una escuadra de combinación contra la cara de la guía y la superficie de la plancha. La guía y la plancha deben quedar perpendiculares entre sí. Si no es así, afloje la manivela de inclinación, afloje la tuerca hexagonal y gire el vástago con un destornillador hasta que la guía quede perpendicular. Fíjela en su lugar apretando la tuerca hexagonal.
- Use una falsa escuadra o transportador para verificar los toques limitadores de 45° hacia adentro y hacia fuera. El tope de 45° hacia adentro es el perno de cabeza hexagonal situado debajo del vástago. El tope de 45° hacia fuera está situado en la parte superior de la guía. Si es necesario un ajuste, afloje la tuerca hexagonal, gire el perno de cabeza hexagonal a la posición adecuada y fíjela en su lugar mediante la tuerca hexagonal.

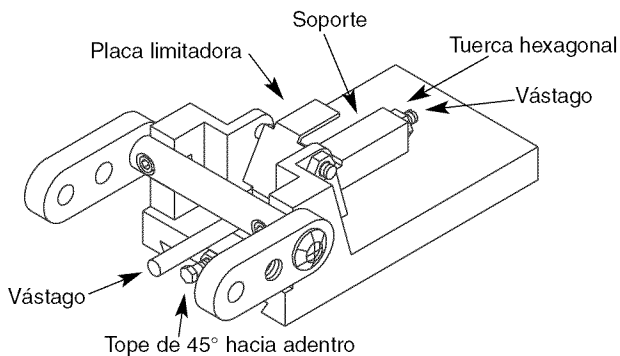


Figura 4 – Topes Limitadores

INSTALE EL CANAL PARA POLVO

Consulte la Figura 25 en la página 16.

- Inserte el tornillo de cabeza de placa (Clave No. 19) por las pestañas del canal para polvo (Clave No. 18). Deslice el canal para polvo hasta el extremo del aspirador de astillas (Clave No. 17). Apriete el tornillo de cabeza de placa.

COMO INSTALAR EL EQUIPO RECOLECTOR DE POLVO DE MEDIA BOLSA

Consulte la Figura 5.

El Equipo Recolector de Polvo de Media Bolsa Craftsman está diseñado para recolectar el polvo residual de herramientas de carpintería que tengan un orificio de escape de polvo de 2 1/2" de diámetro. La bolsa de filtrar se une a un cubo de basura de 30

galones o una bolsa plástica para basura de 30 galones x 1.3 milipulgadas para permitir el desecho sencillo y práctico de aserrín (no se incluye el cubo de basura ni la bolsa plástica para basura).

Para usar el equipo recolector de polvo con un cubo de basura:

- Coloque el resorte dentro del brazo de la bolsa de filtrar.
- Deslice el brazo con el resorte sobre el orificio de escape de polvo.
- Ponga la banda de la bolsa sobre el reborde del cubo de basura y ajuste la bolsa apretando la cinta.

Para usar el equipo recolector de polvo con una bolsa para basura:

- Coloque el resorte dentro del brazo de la bolsa de filtrar.
- Deslice el brazo con el resorte sobre el orificio de escape de polvo.
- Arme el soporte de la bolsa. Deslice los conectores por las ranuras de los segmentos del soporte.
- Deslice la bolsa plástica por dentro del soporte. Deje solapar la bolsa entre 3 y 4".
- Ponga la banda de la bolsa de filtrar sobre el soporte de la bolsa y dentro de la ranura.
- Fíjela en su lugar apretando la cinta.

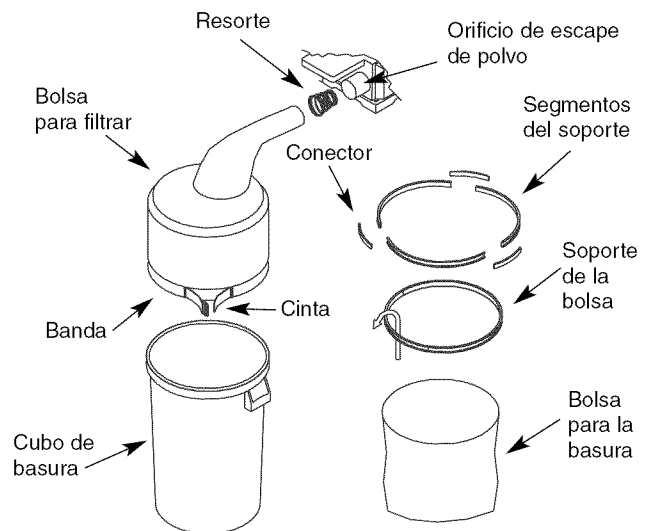


Figura 5 – Equipo Recolector de Polvo de Media Bolsa

INSTALACION

Consulte las Figuras 6 y 9 en las páginas 21 y 22.

El cepillo mecánico/cepilladora de banco pesa aproximadamente 110 lb. una vez que está armado. El cepillo mecánico/cepilladora debe instalarse en un lugar que cuente con suficiente iluminación y una fuente de alimentación adecuada. Para instalar el cepillo mecánico/cepilladora de banco:

- Asegúrese que haya suficiente espacio para mover la pieza de trabajo a través de todo el corte. Deberá haber suficiente espacio de manera que ni los operadores ni demás personas tengan que pararse en línea con la madera mientras se esté usando la herramienta.
- El cepillo mecánico/cepilladora se puede instalar en un banco de trabajo mediante pernos, arandelas de seguridad y tuercas hexagonales (no se incluyen).
- El cepillo mecánico/cepilladora se debe empernar a una superficie firme y nivelada.

- Cerciórese de que no se meza el cepillo mecánico/cepilladora y que estén niveladas las planchas.

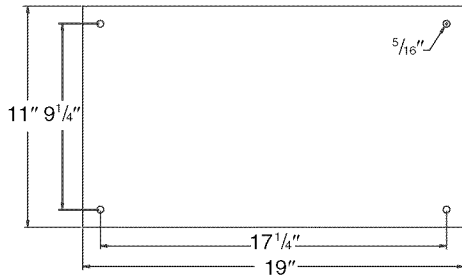


Figura 6 – Área que Ocupa el Cepillo Mecánico/Cepilladora

FUENTE DE ALIMENTACION

ADVERTENCIA: No conecte el cepillo mecánico/cepilladora a la fuente de alimentación hasta haber cumplido todos los pasos del ensamblaje.

El motor ha sido diseñado para funcionar al voltaje y frecuencia especificados. Las cargas normales se pueden manejar sin riesgos dentro de un intervalo del 10% respecto al voltaje especificado. Si se hace funcionar la unidad a un voltaje fuera de este intervalo, se puede recalentar y quemar el motor. Las cargas pesadas exigen que el voltaje en los terminales del motor no sea inferior al especificado.

- La fuente de alimentación del motor se controla mediante un interruptor basculante. Si se extrae la llave del interruptor basculante, se bloquea la unidad e impide el uso no autorizado.

INSTRUCCIONES PARA LA CONEXION A TIERRA

ADVERTENCIA: Si no se conecta correctamente el conductor a tierra del equipo, se corre el riesgo de un electrochoque. El equipo debe estar conectado a tierra mientras se usa para proteger al operador de un electrochoque.

- Si no entiende las instrucciones de conexión a tierra o duda que la herramienta haya quedado efectivamente puesta a tierra, consulte un electricista calificado.
- Esta herramienta viene equipada con un cable especificado para 150 V y un enchufe de 3 puntas para conexión a tierra (véase la Figura 7) que lo protegen a usted de un electrochoque.
- El enchufe de conexión a tierra deberá conectarse directamente a un zócalo para 3 clavijas instalado y conectado debidamente a tierra, tal como se muestra (véase la Figura 7).

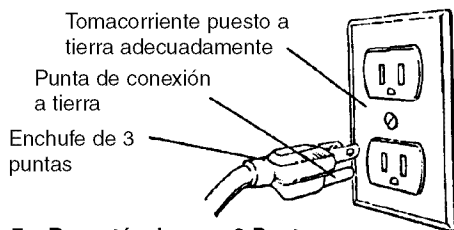


Figura 7 – Receptáculo para 3 Puntas

- No retire ni modifique en forma alguna la punta de conexión a tierra. En caso de un mal funcionamiento o una descompostura, la conexión a tierra proporciona una ruta de menor resistencia para la descarga eléctrica.

ADVERTENCIA: Al conectar o desconectar el enchufe del tomacorriente, no permita que los dedos toquen los terminales o el enchufe.

- El enchufe debe conectarse en el tomacorriente correspondiente que haya sido instalado y conectado a tierra debidamente, de acuerdo con todos los códigos y regulaciones locales. No modifique el enchufe que se incluye. Si no cabe

en el tomacorriente, solicite a un electricista calificado que instale un tomacorriente adecuado.

- Revise periódicamente los cordones de la herramienta y si están dañados, llévelos a un centro de servicio autorizado para que los reparen.
- El conductor verde (o verde y amarillo) del cordón es el cable de conexión a tierra. Si es necesario reparar o reemplazar el cordón eléctrico o el enchufe, no conecte el cable verde (o verde y amarillo) a un terminal cargado.
- Un zócalo para dos clavijas deberá ser reemplazado con un zócalo para tres clavijas debidamente conectado a tierra e instalado de acuerdo con las Normas para Instalaciones Eléctricas (National Electric Code) y los códigos y regulaciones locales.

ADVERTENCIA: Sólo un electricista calificado debe cambiar los receptáculos.

Se puede usar temporalmente un adaptador de 3 puntas a 2 puntas con conexión a tierra (véase la Figura 8) para conectar los enchufes a un tomacorriente bipolar que esté correctamente puesto a tierra.

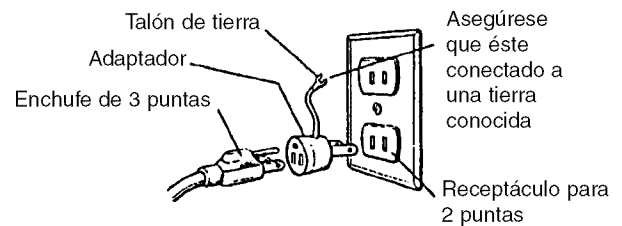


Figura 8 – Receptáculo para 2 Puntas con Adaptador

- No utilice este tipo de adaptadores a menos que esté permitido por los códigos y regulaciones nacionales y locales. (En Canadá no se permite usar adaptadores de conexión a tierra de 3 puntas a 2 puntas.)
Si se permite el uso de un adaptador de 3 a 2 puntas con conexión a tierra, se debe conectar firmemente la lengüeta verde o terminal rígido en un lado del adaptador a una toma de tierra permanente, por ejemplo, una tubería de agua puesta a tierra, una caja de tomacorriente puesta a tierra o un sistema de cables puesto a tierra.
- Muchos de los tornillos de la plancha de cubierta, las tuberías de agua y las cajas de tomacorriente no están debidamente conectados a tierra. Para garantizar que la conexión a tierra sea efectiva, un electricista calificado debe verificar los medios de conexión a tierra.

CORDONES DE EXTENSION

- El uso de cualquier tipo de cordón de extensión ocasionará una caída en el voltaje y una pérdida de potencia.
- Los cables del cordón de extensión deben tener el tamaño suficiente para conducir la corriente adecuada y mantener el voltaje correcto.
- Utilice la tabla para determinar el tamaño mínimo del cordón de extensión (AWG).
- Utilice únicamente cordones de extensión trifilares que tengan enchufes tipo conexión a tierra de tres puntas y receptáculos tripolares que acepten el enchufe de la herramienta.
- Si el cordón de extensión está desgastado, roto o dañado en cualquier forma, reemplácelo inmediatamente.

LONGITUD DEL CORDON DE EXTENSION

Tamaño del alambre	Norma AWG
Hasta 50 pies	16
50-100 pies	14

AVISO: No se recomienda utilizar cordones de extensión de más de 100 pies de largo.

MOTOR

El cepillo mecánico/cepilladora incluye un motor de 2 HP (desarrollado al máximo).

El motor universal de CA de 120 voltios tiene las siguientes especificaciones:

Caballaje (máximo desarrollado)	2
Voltaje	120
Amperaje	12
Frecuencia (Hz)	60
Fase	Monofásico
Velocidad del portacuchilla (rpm)	10,000

CONEXIONES ELECTRICAS

ADVERTENCIA: Cerciórese de que la unidad esté apagada y desconectada de la fuente de alimentación antes de inspeccionar el cableado.

La unidad está conectada como lo ilustra el diagrama de cableado (vea la Figura 9).

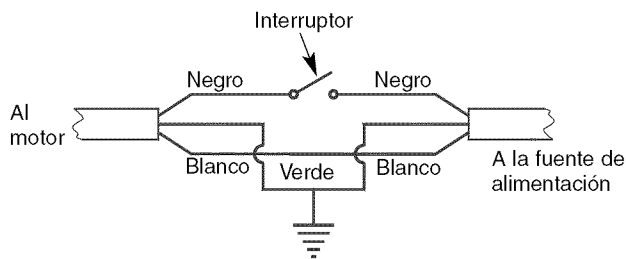


Figura 9 – Diagrama del Cableado

El motor se ensambla con un cable de tres conductores, aprobado para usarse con 120 voltios como se indica. La fuente de alimentación del motor está controlada por un interruptor basculante enclavador bipolar.

- Extraiga la llave para evitar el uso no autorizado.

Las líneas de energía eléctrica se insertan directamente en el interruptor. La línea de conexión a tierra verde debe permanecer firmemente sujeta al bastidor para ofrecer la adecuada protección contra un electrochoque.

OPERACION

Consulte las Figuras 10-20 en las páginas 23-25.

DESCRIPCION

El cepillo mecánico/cepilladora de banco de 6¹/₈" se usa para alisar las caras y bordes de una tabla, aplanar la superficie de maderas combadas y hacer biselados, chaflanes y conos. El cepillo mecánico/cepilladora cuenta con planchas de alimentación y salida de hierro fundido, cuerpo de hierro fundido con superficies lisas de trabajo y tornillos de avance para un ajuste preciso de la altura de las planchas. Una guía de direccionamiento equilibrada se inclina 45° (hacia adentro) y 45° (hacia fuera). Un soplador incorporado para la eliminación de astillas. La herramienta viene con un interruptor basculante de enclavamiento con llave removible y bloques de empuje. El cepillo mecánico/cepilladora fácilmente maneja maderos toscos, cepilla maderas duras y suaves de hasta 6¹/₈" de espesor mediante un portacuchillas de dos hojas y hace cortes de hasta 1¹/₈".

REGLAS DE SEGURIDAD DE OPERACION

Cepillar con cepillo mecánico es una operación de nivelado en la que se elimina una pequeña cantidad de madera de los bordes y caras de una tabla para obtener superficies lisas, rectas y nive-

ladas de modo que los dos bordes que pasan por los bloques de cepillado encajen perfectamente en una unión sin costura.

Cepillar con cepilladora se refiere a reducir el tamaño del madero al espesor deseado al mismo tiempo que se crea una superficie nivelada, paralela al lado opuesto de la tabla. Profundidad del corte es el término empleado para indicar la profundidad con que las cuchillas penetran en la pieza de trabajo.

ADVERTENCIA: El funcionamiento de todas las herramientas mecánicas puede hacer que sean lanzados a los ojos cuerpos extraños, lo cual puede lesionarlos gravemente. Siempre use gafas de seguridad que cumplan con los requisitos de la norma estadounidense ANSI Z87.1 (se indica en el paquete) antes de comenzar a usar la herramienta mecánica.

ADVERTENCIA: Para su propia seguridad, lea todas las instrucciones y las precauciones de seguridad antes de operar la herramienta.

- Aprenda las reglas de seguridad generales para el uso de herramientas mecánicas. Asegúrese de comprender todas las precauciones (véanse las páginas 18, 19 y 22).
- Cuando ajuste o reemplace cualquier parte del cepillo mecánico/cepilladora, abra el interruptor y retire el enchufe de la fuente de alimentación.
- Asegúrese que todos los protectores estén correctamente acoplados y firmemente sujetos.
- Asegúrese que nada obstaculice ninguna parte móvil.
- Siempre use protección para los ojos o para la cara.
- Asegúrese que las cuchillas estén alineadas y correctamente acopladas al portacuchilla.
- No enchufe el cepillo mecánico/cepilladora a menos que el interruptor esté en la posición OFF (apagado). Después de cerrar el interruptor, permita que el cepillo mecánico/cepilladora alcance toda la velocidad antes de usar.
- Mantenga las manos alejadas de las partes móviles.
- No fuerce el corte. Si disminuye la velocidad o se queda atascado, se recalienta el motor.
- Use madera de calidad. Las cuchillas duran más y los cortes resultan más uniformes si la madera es de buena calidad.
- No cepille materiales que tengan menos de 8¹/₈" de longitud, 3³/₄" de ancho o 1¹/₄" de espesor.
- Nunca haga un corte de junta mayor de 1¹/₈" de profundidad.
- Mantenga siempre el portacuchilla y los protectores de las cuchillas en buenas condiciones de funcionamiento.
- Mantenga la proporción adecuada entre las superficies de las planchas de alimentación y salida y la trayectoria de las cuchillas del portacuchilla.
- No haga retroceder la pieza hacia la plancha de alimentación.
- Apoye la pieza de trabajo adecuadamente durante toda la operación; mantenga el dominio sobre la pieza de trabajo.
- Use bloques de sujeción/empuje para nivelar la unión de materiales de menos de 3" de ancho o desbastar materiales de menos de 3" de espesor.
- Tome las precauciones necesarias en caso de contragolpes. No permita que nadie cruce ni esté de pie en la trayectoria de rotación del portacuchilla. Los contragolpes o los residuos arrojados irán en esta dirección.
- Abra el interruptor y desconecte la alimentación si no se está usando el cepillo mecánico/cepilladora.
- Reemplace o afile las cuchillas si se dañan o desafilan.
- No intente realizar una operación extraña o poco común sin estudiarla o sin usar bloques de sujeción/empuje, posicionadores, portapiezas, topes y accesorios similares.
- Dele mantenimiento al cepillo mecánico/cepilladora. Siga las instrucciones de mantenimiento (véase las páginas 26-27).

PROFUNDIDAD DEL CORTE

Consulte la Figura 10.

La profundidad del corte se ajusta por la posición relativa de la plancha de alimentación respecto al portacuchilla. La plancha de alimentación se puede subir o bajar mediante el volante.

Girar el volante en sentido antihorario hace que baje la plancha de alimentación para eliminar mayor cantidad de madera de la pieza de trabajo. Girar el volante en sentido horario hace que suba la plancha de alimentación para eliminar menor cantidad de madera de la pieza de trabajo.

Al cepillar, no rebaje más de $\frac{1}{8}$ ".

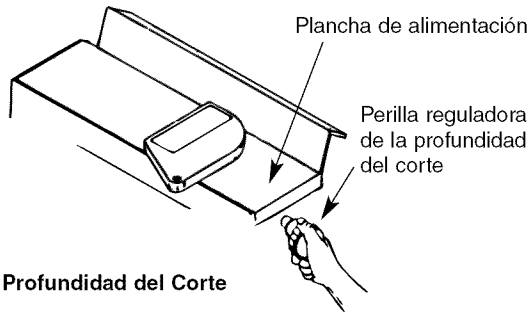


Figura 10 – Profundidad del Corte

VERIFIQUE LA PROFUNDIDAD DEL CORTE

Consulte la Figura 11.

- Coloque un escantillón en la plancha de salida que sobrepase la plancha de alimentación.
- Mida desde la superficie de la plancha de alimentación hasta la parte inferior del escantillón. La medida obtenida será la profundidad del corte.

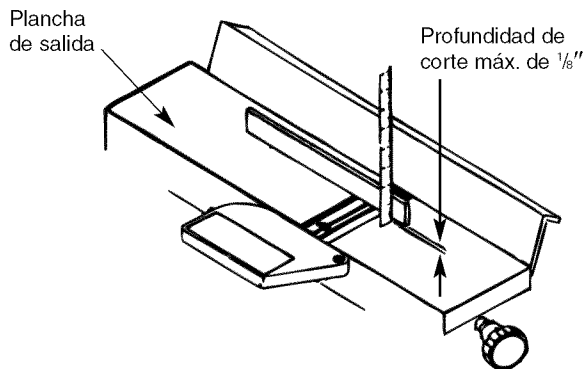


Figura 11 – Verifique la Profundidad del Corte

AVISO: La profundidad de los cortes efectuados con este cepillo mecánico/cepilladora no sobrepasa $\frac{1}{8}$ ". Para disminuir el riesgo de contragolpes y lesiones, recomendamos hacer cortes no mayores de $\frac{1}{16}$ ".

PRECAUCIÓN: Cerciórese de que el interruptor esté en la posición OFF (apagado) y que el cordón esté desenchufado de la alimentación eléctrica antes de efectuar esta verificación.

COMO POSICIONAR LA GUIA

La guía se puede ajustar para cortar a cualquier ángulo entre 0° y 45° hacia adentro y hacia afuera. La guía se puede inclinar no más de 45° hacia adentro (hacia el portacuchilla) para darle mayor estabilidad a una pieza de trabajo angosta o hacia fuera (en sentido opuesto al portacuchilla) para cortes de mayor ángulo.

Para ajustar el ángulo de inclinación:

- Afloje la manivela de inclinación de la guía.
- La manivela de inclinación de la guía está accionada por resorte. Para seguir girando la manivela, tire suavemente para separarla de la guía y devuélvala a su posición original.
- Suelte la manivela y continúe aflojando.
- Inclíne manualmente la guía hacia adentro/afuera hasta lograr el ángulo deseado. Use un saltarregla o un transportador para medir el ángulo de inclinación.

AVISO: La guía tiene topes absolutos a 0° (90° de la plancha), 45° hacia adentro y 45° hacia fuera.

- Apriete la manivela de inclinación de la guía.
- Para seguir apretando, tire suavemente de la manivela para separarla de la guía y devuélvala a su posición original.
- Suelte la manivela y continúe apretando.
- Cerciórese de que la guía esté apretada y segura.

La guía se puede posicionar a fin de exponer la cuchilla en cualquier medida.

Para ajustar la posición de la guía:

- Afloje la manivela de desplazamiento de la guía.
- Deslice la guía hacia delante hasta la posición deseada.
- Apriete la manivela de desplazamiento de la guía.
- Cerciórese de que la guía esté apretada y segura.

PRECAUCIÓN: No extraiga el protector de las cuchillas. Cerciórese de que en todo momento esté cubierto el portacuchilla.

PRECAUCIÓN: No desplace la guía en sentido opuesto al cuerpo del cepillo mecánico. En todo momento el portacuchilla debe permanecer cubierto por todos sus lados.

PROTECTOR DE LAS CUCHILLAS

El protector de las cuchillas protege del portacuchilla. Siempre debe estar en su lugar y funcionar correctamente.

Verifique el protector para cerciorarse de que funciona correctamente. Para verificar:

- Haga avanzar un pedazo de madera de $\frac{1}{4}$ " de espesor sobre el portacuchilla entre el protector y la guía. El protector debe separarse y dar paso al pedazo de madera. Al retirar el pedazo de madera, el protector debe regresar automáticamente a su posición inicial.
- Abra completamente el protector de las cuchillas hasta que se detenga y súeltelo varias veces. Siempre debe regresar a su posición original por acción del resorte.

PRECAUCIÓN: Si el protector de las cuchillas no funciona correctamente, será necesario reemplazar o ajustar el resorte.

- Para reemplazar el resorte, póngase en contacto con su tienda o centro de servicio Sears más cercano.
- Para ajustar o armar el resorte, consulte "Cómo ajusta el protector de las cuchillas", página 26.

COMO AJUSTAR LA ALTURA DE LAS CUCHILLAS

Consulte las Figuras 12-14 en la página 24.

PRECAUCIÓN: Cerciórese de que el interruptor esté en la posición OFF (apagado) y que el cordón esté desenchufado antes de empezar a verificar las cuchillas.

Las cuchillas han sido ajustadas en fábrica para garantizar su correcto funcionamiento y no debe ser necesario ajustarlas. No obstante, el envío y manejo puede haberlas desalineado. Para cortar de forma precisa, las cuchillas deben estar tan altas como la plancha de salida en su punto más elevado. Para verificar la altura de las cuchillas:

- Impida que se cierre el protector de las cuchillas interponiendo entre él y la guía un trozo de madera residual de 6 1/4" de longitud aproximadamente.

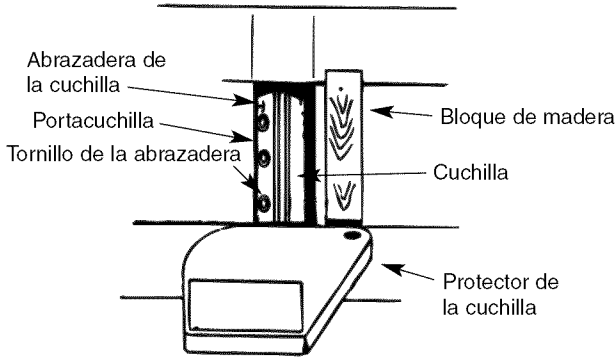


Figura 12 – Bloquee el Protector de la Cuchilla

- Gire el portacuchilla de modo que una de las cuchillas quede en la posición más elevada.

PRECAUCION: Las cuchillas del portacuchilla están sumamente afiladas. No permita en ningún momento que sus dedos entren en contacto con el filo cortante.

- Ponga un escantillón sobre la plancha de salida y la cuchilla.

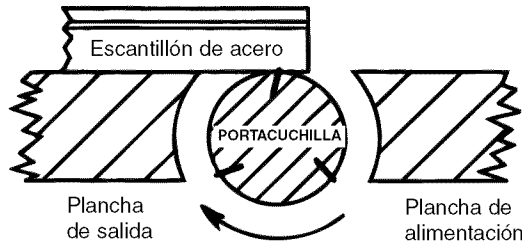


Figura 13 – Cómo Verificar la Alineación de la Plancha de Salida

- A ambos extremos de la cuchilla, el escantillón debe hacer contacto uniforme con la plancha de salida.
- Gire manualmente el portacuchilla. Las cuchillas deben apenas rozar el escantillón. Si una cuchilla está demasiado baja o alta por cualquier extremo, ajuste su altura mediante los tornillos niveladores.

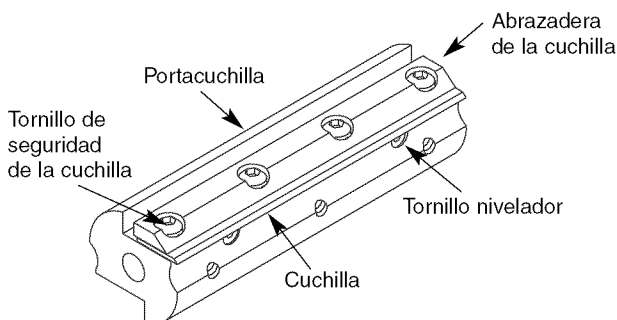


Figura 14 – Conjunto del Portacuchilla

EVITE DAÑAR LAS CUCHILLAS

El cepillo mecánico/cepilladora es una máquina de precisión para trabajar en madera y sólo se debe usar en madera de buena calidad. El uso de madera de mala calidad podría ocasionar cortes de mala calidad en las piezas subsiguientes.

Para un funcionamiento correcto es preferible usar el cepillo mecánico con un sistema recolector de polvo (consulte Cómo usar una manguera de succión, página 25) conectado al orificio de escape en su parte posterior. Instalar un sistema recolector de polvo es particularmente necesario cuando se hacen cortes más profundos, para evitar que se atasquen las astillas.

- No use tablas sucias. La suciedad y las piedras son abrasivos que desgastan la cuchilla.
- Extraiga los clavos y las grapas. El cepillo mecánico debe cortar sólo madera.
- Evite los nudos. La madera con veta atravesada tupida endurece los nudos y estos se pueden desprender y atascar el cepillo mecánico.
- Evalúe las tablas demasiado combadas. El operador puede verse tentado a aplicar un corte demasiado profundo para escuadrar rápidamente la tabla. Pase la máquina varias veces para mantener nivelada la superficie.

INTERRUPTOR DE ON/OFF (ENCENDIDO/APAGADO)

Consulte la Figura 15.

Las posiciones de funcionamiento del interruptor de encendido/apagado se ubican en la parte frontal del cepillo mecánico/cepilladora.

- Empuje el interruptor hacia arriba para encender del cepillo mecánico/cepilladora y hacia abajo para apagarla.
- El interruptor tiene una llave removible que permite bloquear la unidad en la posición OFF (apagado).

Para activar el mecanismo de bloqueo:

- Lleve el interruptor a la posición OFF (apagado).
- Tire de la llave del interruptor.

Para desactivar el mecanismo de bloqueo:

- Inserte y empuje la llave del interruptor en la ranura del interruptor.

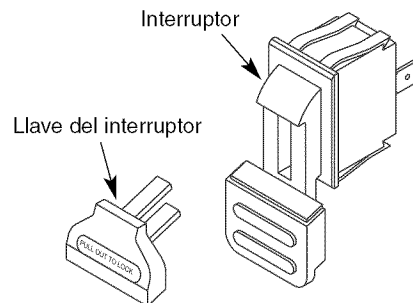


Figura 15 – Interruptor de On-Off (Encendido/Apagado)

ADVERTENCIA: Asegúrese que el interruptor se encuentre en la posición OFF (apagado) y que el cordón esté desconectado antes de extraer la llave del interruptor.

COMO HACER AVANZAR LA PIEZA DE TRABAJO

Consulte las Figuras 16-19 en la página 25.

La velocidad de alimentación se refiere a aquella con la que se hace avanzar la madera sobre las cuchillas. Una alimentación uniforme da un resultado uniforme. Para hacer avanzar la pieza de trabajo:

- Sujete firmemente la tabla sobre ambas planchas y contra la guía.

- Mantenga unidos los dedos.
- Haga avanzar la tabla a una velocidad uniforme y continua. Si vacila o para, puede hacer que se corte un “escalón” en el borde de la tabla.

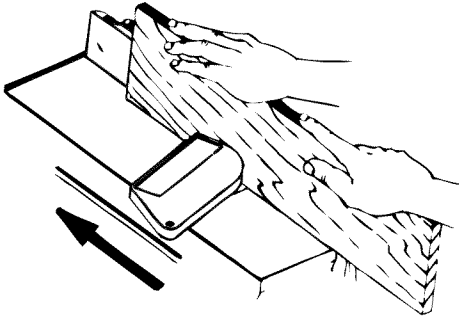


Figura 16 – Cómo Hacer Avanzar la Pieza de Trabajo

- A medida que la mano trasera pasa sobre el portacuchilla, retire la mano delantera.
- Continúe alimentando mientras coloca la mano delantera detrás de la trasera hasta cortar la tabla en toda su longitud.

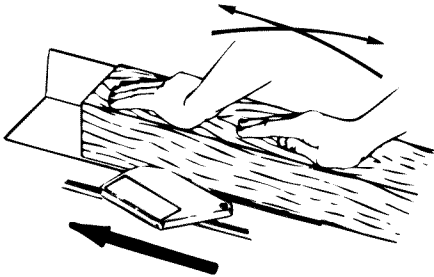


Figura 17 – Cómo Dirigir la Pieza de Trabajo

- Alimente en la dirección de la veta, si es posible.

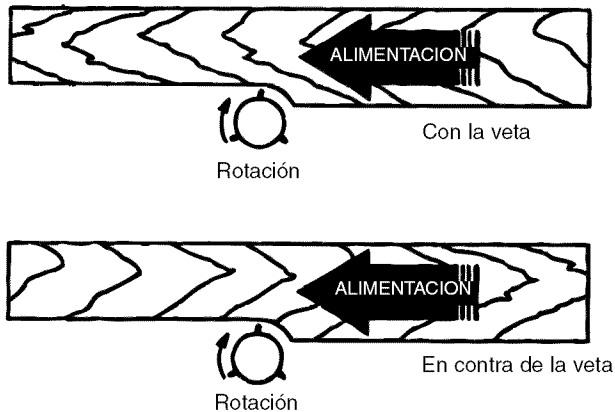


Figura 18 – Sentido de la Alimentación

- Si la naturaleza de la pieza de trabajo obliga a hacerla avanzar en sentido opuesto a la veta, haga cortes muy ligeros y alimente lentamente.
- Si la pieza de trabajo es larga, use apoyos adicionales (consulte Accesorios recomendados, página 17) tanto en el extremo de alimentación como en el de salida para evitar heridas por deslizamiento o contragolpe y para ejercer una presión uniforme sobre el portacuchilla.

COMO USAR BLOQUES DE SUJECION/EMPUJE

Consulte la Figura 19.

- Use siempre bloques de sujeción/empuje cuando nivele o ranure tablas de menos de 3” de ancho o cuando desbaste tablas de menos de 3” de espesor.

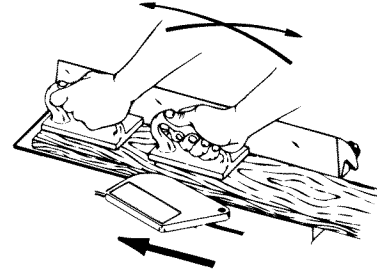


Figura 19 – Cómo Alimentar con Bloques de Empuje

- Agarre firmemente los bloques de sujeción/empuje.
- Ponga los bloques de empuje horizontalmente sobre la pieza de trabajo y presiónela contra la plancha.
- Mueva con una mano sobre la otra para mantener controlada la pieza de trabajo en todo momento.
- Si desbasta piezas de trabajo entre 1/2” y 3/4” y más angostas que los bloques de empuje, inclínelos para evadir el protector del portacuchillas mientras hace avanzar la pieza.

COMO BISELAR Y ACHAFLANAR

Consulte la Figura 20.

- La guía del cepillo mecánico/cepilladora se puede ajustar entre 45° hacia adentro y 45° hacia fuera. Ajuste la guía al ángulo deseado y apriete la manivela de inclinación de la guía.
- Biselar es cortar oblicuamente toda la arista de una tabla. Biselar una pieza puede requerir hacer avanzar varias veces debido a la profundidad de corte necesaria.
- Achaflanar es eliminar sólo una esquina de la arista de la tabla. Normalmente, un chafán se hace en un solo pase con un corte de 1/16” de profundidad.

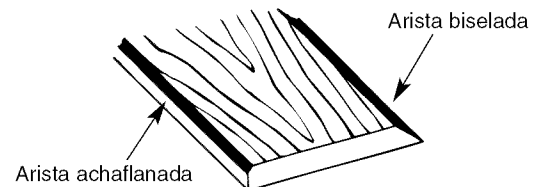


Figura 20 – Cómo Biselar y Achaflanar

COMO USAR UNA MANGUERA DE SUCCION

Se puede fijar una manguera recolectora de polvo estándar al orificio de escape (2 1/2” de diámetro) debajo de la plancha de salida. Si se usa un sistema recolector de polvo, el cepillo mecánico funciona correctamente para cortes de hasta 1/8” de profundidad (consulte “Evite dañar las cuchillas”, página 24). Para instalar el sistema recolector de polvo:

- Inserte la manguera recolectora de polvo por el orificio de escape en la parte posterior del cepillo mecánico.
- Encienda el sistema recolector de polvo.
- Encienda el cepillo mecánico.
- Reemplace/vacíe periódicamente la bolsa del sistema recolector de polvo.

MANTENIMIENTO

ADVERTENCIA: Lleve el interruptor a la posición OFF (apagado) y desconecte del cepillo mecánico/cepilladora de la fuente de alimentación antes de realizar labores de mantenimiento.

COMO VERIFICAR EL DESGASTE DE LAS CUCHILLAS

El estado de las cuchillas afecta la precisión del corte. Si no se examinó el desgaste de las cuchillas cuando se verificaba su altura, la calidad del corte indicará su estado. Si las cuchillas están romas, desgarran la fibra de la madera en vez de cortarla. La veta se eleva si las cuchillas desafiladas golpean la madera en puntos de densidad diferente. Las aristas se elevan si las cuchillas están picadas.

COMO AFILAR LAS CUCHILLAS

Consulte la Figura 21.

Las cuchillas se pueden esmerilar individualmente amolándolas con una piedra de afilar fina. Cerciórese de que la piedra de aceite sea plana y no esté desgastada. Para afilar las cuchillas:

- Cubra parcialmente la piedra con papel para proteger la superficie superior de la plancha.
- Ponga la plancha de alimentación de modo que la piedra haga contacto con la cuchilla a lo largo de su superficie biselada.
- Pase la piedra de un lado a otro de la cuchilla mientras, además, mueva la piedra ligeramente en el sentido de alimentación.
- Cerciórese de pasarla el mismo número de veces por cada lugar.

Si las cuchillas están picadas, se deben reemplazar o amolar. Se pueden amolar varias veces hasta que su espesor sea de $19/16''$.

AVISO: Muchas tiendas no prestan el servicio de rehacer la superficie de las cuchillas. En las páginas amarillas debe aparecer "Servicios de esmerilado" o "Amolado de herramientas".

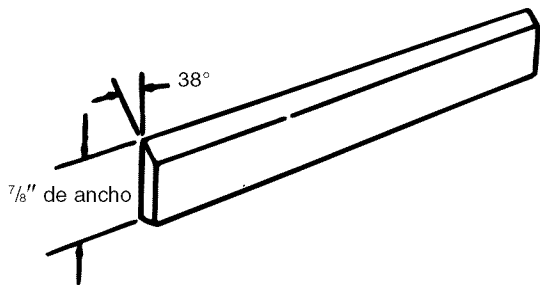


Figura 21 – Cómo Afilar las Cuchillas

No instale nunca cuchillas desequilibradas o amoladas cuyo ancho sea inferior a $19/16''$.

COMO REEMPLAZAR LAS CUCHILLAS

Consulte la Figura 22.

- Desenchufe el cepillo mecánico/cepilladora de la alimentación eléctrica y lleve el interruptor a la posición OFF (apagado).
- Bloquee el protector de las cuchillas para que no se abra.
- Afloje y extraiga los tres tornillos de seguridad que sujetan la cuchilla y la abrazadera de la cuchilla.

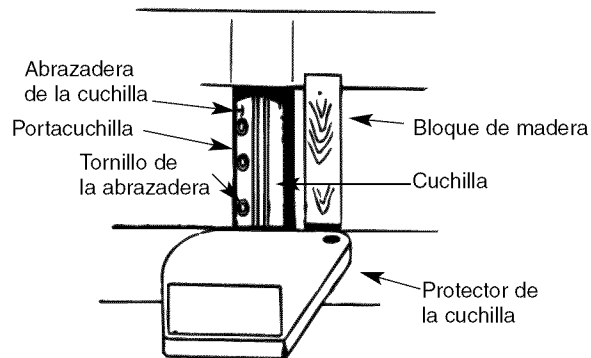


Figura 22 – Bloquee el Protector de la Cuchilla

- Levante la cuchilla y la abrazadera de la cuchilla para separarlas del portacuchillas.
- Elimine cualquier acumulación de aserrín y resina del portacuchilla y la abrazadera de la cuchilla.
- Ponga la abrazadera de la cuchilla contra la cuchilla de repuesto y vuelva a instalar en el portacuchilla.
- Sujete la cuchilla y la abrazadera de la cuchilla mediante los tornillos de seguridad de la cuchilla. No apriete los tornillos de seguridad de la cuchilla.

AVISO: Verifique la altura a ambos extremos de la cuchilla (consulte Cómo ajustar la altura de las cuchillas, página 23).

- Apriete los tornillos de seguridad de la cuchilla.
- Vuelva a verificar el ajuste de la cuchilla y cerciórese de que esté nivelada con la plancha de salida.
- Repita el procedimiento para reemplazar la otra cuchilla.
- Extraiga los residuos de madera y suelte el protector de las cuchillas.
- Cerciórese de apretar todos los tornillos de seguridad de la cuchilla y de que queden ajustados.

COMO AJUSTAR EL PROTECTOR DE LAS CUCHILLAS

Consulte la Figura 25 en la página 16.

PRECAUCION: No lubrique el punto de giro del protector de las cuchillas. El aceite y los lubricantes podrían contener agentes químicos que pueden dañar o destruir el protector de las cuchillas y otras piezas de plástico.

Si al soltar el protector de las cuchillas no queda cubierto el portacuchilla, es necesario ajustar el protector o reemplazar el resorte. Para ajustar o reemplazar el resorte:

- Ponga el cepillo mecánico/cepilladora a un lado de modo que el interruptor quede hacia arriba.
- Extraiga los cuatro tornillos y la cubierta inferior (Claves No. 37 y 54).
- Afloje y extraiga el tornillo, la arandela y el resorte (Claves No. 13, 12 y 11) debajo de la base que sujetan al protector de la cuchilla.
- Deslice y saque el protector de la cuchilla.
- Si el resorte no está tenso, se debe reemplazar. Extraiga el tornillo (Clave No. 8) que sujeta al resorte. Póngase en contacto con la tienda o el centro de servicio Sears más cercano y solicite un reemplazo.
- Coloque el resorte nuevo de modo que su brazo corto quede sujeto por el tornillo (Clave No. 8).
- Ponga el protector de la cuchilla de modo que el brazo largo del resorte quede contra la cara del protector de la cuchilla.
- Sujete el protector de la cuchilla mediante el resorte, la arandela y el tornillo de cabeza de placa.

- Vuelva a instalar la cubierta inferior. Asegure con tornillos.
- Cerciórese de que el protector de la cuchilla funcione debidamente.

COMO REEMPLAZAR LA CORREA TRANSMISORA

Consulte las Figuras 23 y 25.

- Lleve el interruptor a la posición OFF (apagado) y desconecte la herramienta de la fuente de alimentación.
- Ponga el cepillo mecánico/cepilladora a un lado de modo que el interruptor quede hacia arriba.
- Extraiga los cuatro tornillos y la cubierta inferior (Claves No. 37 y 54).
- Extraiga los dos tornillos y la cubierta de acceso (Claves No. 37 y 38).
- Separe la correa del ventilador (Clave No. 31) de la polea del portacuchilla girando y manteniendo presionada la correa.
- Extraiga los cuatro pernos (Clave No. 24) que sujetan la placa de montaje del motor (Clave No. 49).

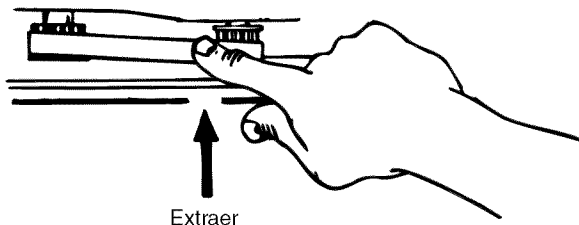


Figura 23 – Reemplazo de la Correa Reguladora de Tiempo

- Extraiga la correa del ventilador (Clave No. 53).
- Instale la correa nueva. Cerciórese de que la correa encaje completamente en las hendiduras de ambas poleas e instale la placa del motor en la base mediante los cuatro pernos. No apriete totalmente los pernos.
- Presione el conjunto del motor hacia la derecha para tensar la correa de transmisión. Apriete firmemente los pernos.
- Vuelva a instalar la correa del ventilador en la polea del portacuchilla asegurándose de que encaje correctamente en las hendiduras de ambas poleas.
- Instale de nuevo la cubierta de acceso usando dos tornillos.
- Instale de nuevo la cubierta inferior usando cuatro tornillos.

COMO REEMPLAZAR LA CORREA

- Lleve el interruptor a la posición OFF (apagado) y desconecte la herramienta de la fuente de alimentación.
- Ponga el cepillo mecánico/cepilladora a un lado de modo que el interruptor quede hacia arriba.
- Extraiga los cuatro tornillos y la cubierta inferior (Claves No. 37 y 54).
- Extraiga los dos tornillos y la cubierta de acceso (Claves No. 37 y 38).
- Afloje la cubierta del aspirador de astillas (Clave No. 21) extrayendo los dos pernos de cabeza hueca (Clave No. 24).

- Retire la correa de ventilador usada e instale la nueva en la polea del ventilador.
- Una la cubierta del aspirador de astillas a la base con las dos correas.
- Tire de la correa por encima del portacuchilla asegurándose de que encaje en las hendiduras de ambas poleas.

MANTENIMIENTO GENERAL

El cepillo mecánico/cepilladora funcionará mejor si se mantiene en buenas condiciones de funcionamiento. Mantenga la unidad tal como se describe en la sección "Operación".

- No permita que se acumulen goma ni grumo de resina en las planchas, guía, cuchillas y protector de las cuchillas.
- Aplique una capa delgada de cera en pasta a las planchas y la guía para facilitar el desplazamiento de la madera durante la alimentación.
- Mantenga afiladas las cuchillas (consulte Cómo afilar las cuchillas, página 26). En algunos casos, resulta más económico reemplazar las cuchillas que rehacerles la superficie. Se recomienda tener a mano un juego de cuchillas de repuesto. Siempre se debe afilar o reemplazar las cuchillas en pares.

LUBRICACION

ADVERTENCIA: Cerciórese de que el interruptor esté en la posición OFF (apagado) y que la herramienta esté desconectada de la alimentación eléctrica.

ADVERTENCIA: En ningún momento permita que el líquido de frenos, la gasolina, los aceites penetrantes, etc. entren en contacto con las superficies de plástico. Contienen agentes químicos que pueden dañar y/o destruir el plástico.

- Los rodamientos del portacuchilla y el motor vienen sellados y no necesitan lubricación.
- Se debe limpiar la guía, la pieza de montaje de la guía y los tornillos de elevación según sea necesario para eliminar los restos de material y grasa.

SUPERFICIES MAQUINADAS

- La superficie de las planchas y la guía se deben conservar lisas y limpias para facilitar el paso de la pieza de trabajo.
- Aplique una cera en pasta a las superficies para mantenerlas pulidas y evitar que se oxiden.

INSPECCION Y REEMPLAZO DE LAS ESCOBILLAS

ADVERTENCIA: Apague el cepillo mecánico y desconéctelo de la fuente de alimentación. La vida útil de las escobillas depende de la carga a que se someta el motor. Inspeccione las escobillas regularmente cada 100 horas de uso. Las escobillas están situadas a cada lado del motor.

Consulte la Figura 25 en la página 16.

- Afloje el tapaescobilla (Clave No. 44) y separe la escobilla (Clave No. 45) del motor.
- Reemplace las escobillas si están desgastados los resortes.
- Reemplace las escobillas si está desgastado el carbón y su longitud es de $\frac{3}{8}$ " o menos.

AVISO: Reemplace las escobillas sólo en pares.

- Reemplace las escobillas y apriete el tapaescobilla.

IDENTIFICACION DE PROBLEMAS

SINTOMA	CAUSAS(S) POSIBLE(S)	MEDIDA CORRECTIVA
El motor no arranca	<ol style="list-style-type: none"> 1. Interruptor defectuoso 2. Motor defectuoso 3. Voltaje de línea bajo 	<ol style="list-style-type: none"> 1. Solicite el reemplazo del interruptor 2. Solicite el reemplazo/repación del motor <p>AVISO: 1 y 2 deben ser efectuados por un técnico de mantenimiento profesional; consulte al centro de servicio Sears</p> <ol style="list-style-type: none"> 3. Corrija la condición de bajo voltaje de línea
El motor se para (haciendo que los fusibles se quemen o los cortacircuitos se abran)	<ol style="list-style-type: none"> 1. Sobrecarga del circuito 2. Voltaje de línea bajo 3. Motor sobrecargado 4. Fusibles o cortacircuitos incorrectos 5. Cortocircuito del motor; conexiones sueltas o aislamiento de los conductores principales desgastado 6. Astillas atascadas 	<ol style="list-style-type: none"> 1. Reduzca la carga del circuito (apague otros artefactos eléctricos) 2. Corrija las condiciones de bajo voltaje de línea 3. Reduzca la carga del motor 4. Haga instalar fusibles o cortacircuitos adecuados 5. Verifique que los terminales del motor no tengan el aislamiento dañado ni los conductores cortocircuitados y hágalos reemplazar 6. Haga cortes de poca profundidad e instale un producto Shop-Vac en el orificio de escape. Inspeccione el conjunto del soplador de astillas y la correa del ventilador
El motor arranca lentamente o no logra desarrollar toda su velocidad	<ol style="list-style-type: none"> 1. Devanados del motor defectuosos 2. Astillas atascadas 	<ol style="list-style-type: none"> 1. Solicite el reemplazo/repación del motor 2. Haga cortes de poca profundidad e instale un producto Shop-Vac en el orificio de escape. Inspeccione el conjunto del soplador de astillas y la correa del ventilador
El motor está funcionando muy caliente	<ol style="list-style-type: none"> 1. Motor sobrecargado 2. Circulación de aire restringida por acumulación de polvo 	<ol style="list-style-type: none"> 1. Reduzca la carga del motor 2. Elimine el polvo y restablezca la circulación normal del aire
Los fusibles o cortacircuitos se abren con frecuencia	<ol style="list-style-type: none"> 1. Motor sobrecargado 2. Fusibles o cortacircuitos no tienen capacidad suficiente 3. Sobrecarga del circuito 	<ol style="list-style-type: none"> 1. Reduzca la carga del motor 2. Haga instalar fusibles o cortacircuitos adecuados 3. Reduzca la carga del circuito (apague otros artefactos eléctricos)
Redondeo (depresiones en los extremos de la tabla)	<ol style="list-style-type: none"> 1. Cuchillas desafiladas 2. Soporte inadecuado para tablas largas 3. Alimentación no uniforme 	<ol style="list-style-type: none"> 1. Reemplace o afile las cuchillas. Consulte "Cómo afilar las cuchillas" en la página 26 2. Soporte las tablas largas. Consulte "Accesorios recomendados" en la página 17 3. Consulte "Cómo hacer avanzar la pieza de trabajo" en la página 24
Profundidad irregular del corte	<ol style="list-style-type: none"> 1. Altura de las cuchillas no uniforme 2. Guía no perpendicular a la bancada del cepillo mecánico 3. Alimentación demasiado acelerada 	<ol style="list-style-type: none"> 1. Ajuste la altura de las cuchillas. Consulte "Cómo ajustar la altura de las cuchillas" en la página 23 2. Consulte "Instale la guía y la pieza de montaje de la guía en el cepillo mecánico" en la página 19 3. Pase la madera más lentamente
Cortes en 45° inexactos	<ol style="list-style-type: none"> 1. Topes de la guía no ajustados correctamente 2. Parte inferior de la guía desnivelada respecto a la plancha de salida por astillas debajo de la guía 	<ol style="list-style-type: none"> 1. Ajuste los topes de la guía. Consulte "Instale la guía y la pieza de montaje de la guía en el cepillo mecánico" en la página 19 2. Elimine las astillas en los lados inferiores de la guía
Veta fibrosa	Cepillado de madera con alto contenido de humedad	Seque la madera para eliminar su alto contenido de humedad
Veta desgarrada	<ol style="list-style-type: none"> 1. Corte muy pesado 2. Las cuchillas están cortando en contra de la veta 3. Cuchillas desafiladas 	<ol style="list-style-type: none"> 1. Reduzca la profundidad del corte 2. Pase la pieza de trabajo en el sentido de la veta 3. Reemplace o afile las cuchillas

NOTAS

NOTAS

NOTAS

Get it fixed, at your home or ours!

Your Home

For repair – **in your home** – of **all** major brand appliances, lawn and garden equipment, or heating and cooling systems, **no matter who made it, no matter who sold it!**

For the replacement parts, accessories and owner's manuals that you need to do-it-yourself.

For Sears professional installation of home appliances and items like garage door openers and water heaters.

1-800-4-MY-HOME[®] (1-800-469-4663)

Call anytime, day or night (U.S.A. and Canada)

www.sears.com www.sears.ca

Our Home

For repair of carry-in items like vacuums, lawn equipment, and electronics, call or go on-line for the location of your nearest **Sears Parts & Repair Center.**

1-800-488-1222

Call anytime, day or night (U.S.A. only)

www.sears.com

To purchase a protection agreement on a product serviced by Sears:

1-800-827-6655 (U.S.A.)

1-800-361-6665 (Canada)

Para pedir servicio de reparación a domicilio, y para ordenar piezas:

1-888-SU-HOGARSM

(1-888-784-6427)

Au Canada pour service en français:

1-800-LE-FOYER^{MC}

(1-800-533-6937)

www.sears.ca

SEARS

© Registered Trademark / TM Trademark / SM Service Mark of Sears, Roebuck and Co.

© Marca Registrada / TM Marca de Fábrica / SM Marca de Servicio de Sears, Roebuck and Co.

^{MC} Marque de commerce / ^{MD} Marque déposée de Sears, Roebuck and Co.

© Sears, Roebuck and Co.