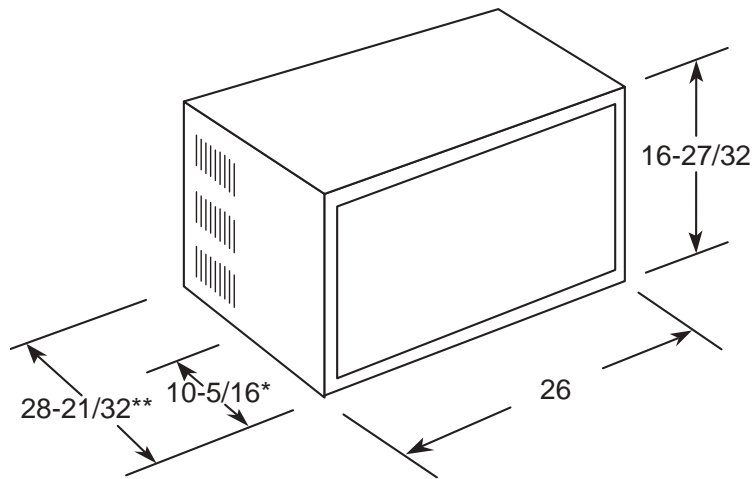




GE Appliances

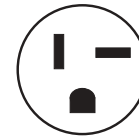
AGQ24DB – GE® Electronic 230 Volt Room Air Conditioner

Wall Case Dimensions (in inches)



*Distance from front of case to side louvers (excluding grille).

**Excludes front grille.



Perpendicular
230/280V
20 Amp

Note: When installing slide-out chassis units in through-the-wall applications, keep louvers free. Do not restrict air flow areas. Fixed chassis units are not suitable for through-the-wall applications.

Wall Outlets: All wiring, including installation of receptacle, must be made in accordance with local electrical codes and regulations. Electrical outlet should be in reach of line cord.

Note: Aluminum wiring may pose special problems—consult a qualified electrician.



Total capacity and E.E.R. ratings are calculated based on the Association of Home Appliance Manufacturers' standards.



Listed by
Underwriters
Laboratories

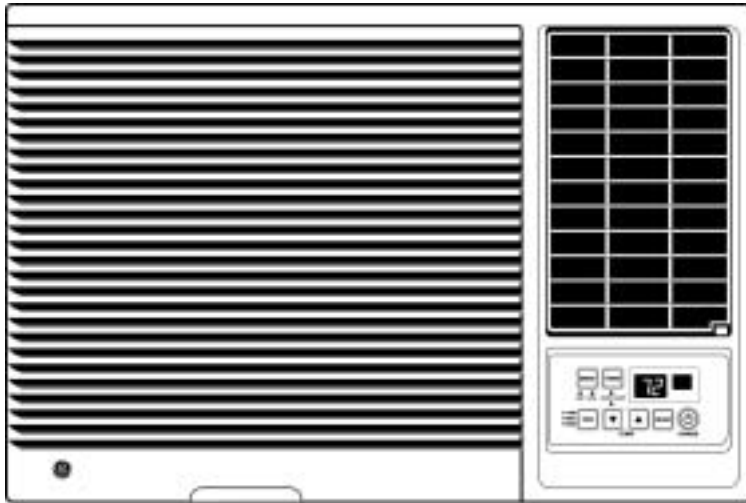
Specification Created 4/03

For answers to your Monogram®, GE Profile™ or GE® appliance questions, visit our website at GEAppliances.com or call GE Answer Center® service, 800.626.2000.



GE Appliances

AGQ24DB – GE® Electronic 230 Volt Room Air Conditioner



Features and Benefits

- 23,800/23,300 BTU
- 8.5/8.5 EER
- 230/208 Volts
- Electronic With Remote Control
- Electronic Thermostat
- 3 Cooling/3 Fan Only Speeds
- Slide-Out Chassis
- Auto Circulaire™
- Model AGQ24DB