

# KitchenAid®

## Installation Instructions

### Undercounter Trash Compactor

**IMPORTANT:**  
Read and save  
these instructions.

**IMPORTANT:**

**Installer:** Leave Installation Instructions with the homeowner.

**Homeowner:** Keep Installation Instructions for future reference.

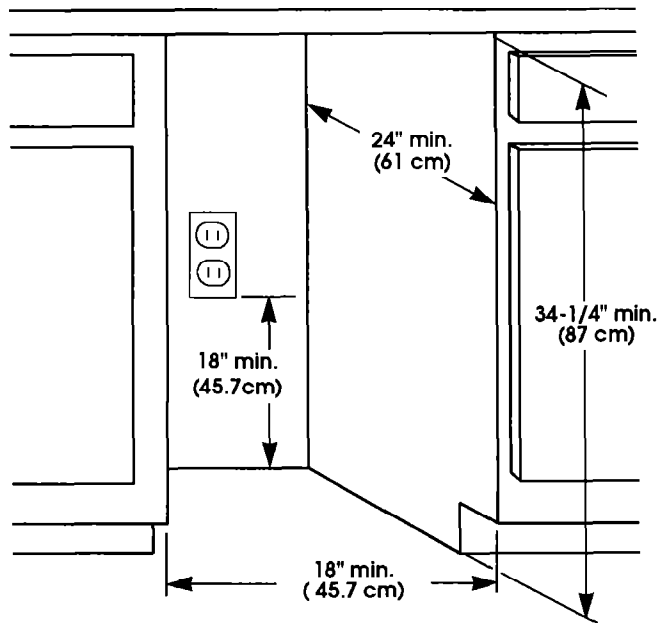
**Save** Installation Instructions for local electrical inspector's use.

### Before you start...

Proper installation is your responsibility. Make sure you have everything necessary for correct installation. It is the personal responsibility and obligation of the customer to contact a qualified installer to assure that electrical installation meets national and all local codes and ordinances.

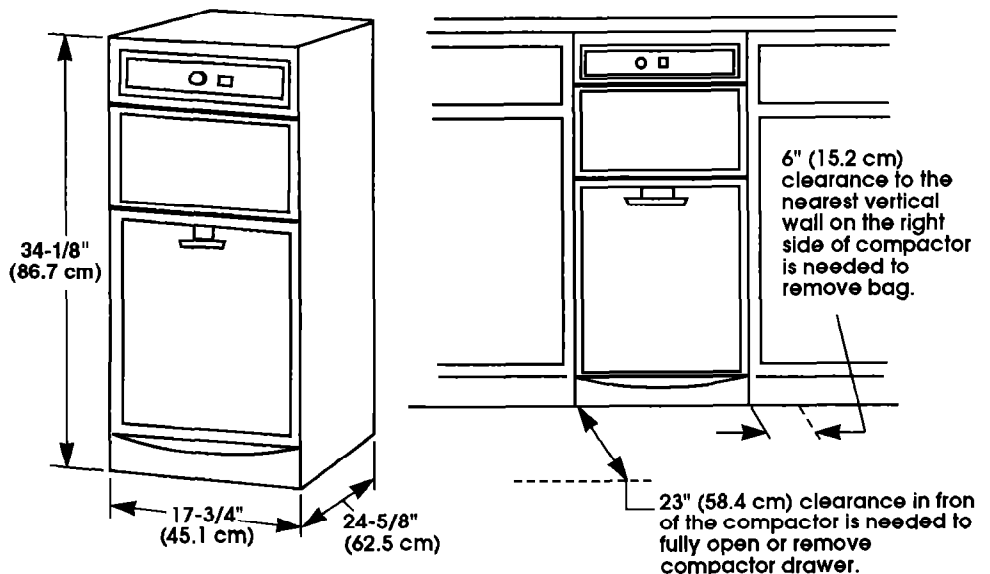
**Grounded electrical outlet** is required. ("See Electrical requirements," Page 2.)

**Check the location** where your compactor will be installed. Compactor is designed for recessed installation. The cabinet opening should be square. You should be able to fully open the compactor drawer. Six inches (15.2 cm) of clearance is needed on the right side of compactor drawer to be able to remove compactor bag. Allow 23 inches (58.4 cm) in front of the compactor to remove drawer.

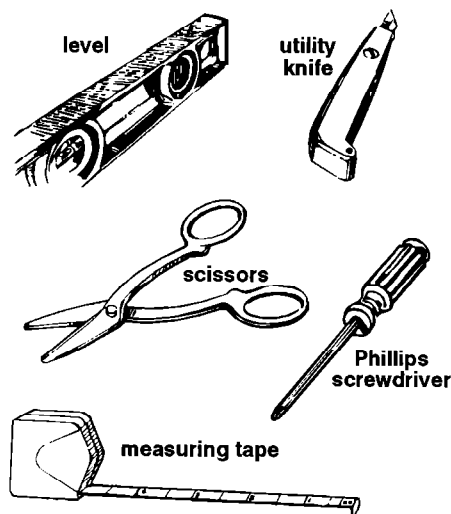


**⚠ WARNING**

**Fire Hazard**  
Do not let any item fall or collect behind the compactor.  
To do so may result in a fire.



## Tools needed for installation:



## Electrical requirements

Important: Observe all governing codes and ordinances.

### **! WARNING**

#### Electrical Shock Hazard

- Electrical ground is required on this appliance.
- Do Not ground to a gas pipe.
- Do Not modify the power supply cord plug. If it does not fit the outlet, have a proper outlet installed by a qualified electrician.
- Do Not have a fuse in the neutral or grounding circuit. A fuse in the neutral or grounding circuit could result in an electrical shock.
- Do Not use an extension cord with this appliance.
- Check with a qualified electrician if you are in doubt as to whether the appliance is properly grounded.

Failure to follow these instructions could result in death or serious injury.

If codes permit and a separate grounding wire is used, it is recommended that a qualified electrician determine that the grounding path is adequate.

A 120-volt, 60-Hz, AC-only, 15- or 20-ampere, fused electrical supply is required. Time-delay fuse or circuit breaker is recommended. It is recommended that a separate circuit serving only this appliance be provided.

## Recommended grounding method

For your personal safety, this appliance must be grounded. This appliance is equipped with a power supply cord having a 3-prong grounding plug. To minimize possible shock hazard, the cord must be plugged into a mating, 3-prong, grounding-type, wall receptacle, grounded in accordance with the National Electrical Code ANSI/NFPA 70 — latest edition\* and all local codes and ordinances. If a mating wall receptacle is not available, it is the personal responsibility and obligation of the customer to have a properly grounded, 3-prong, wall receptacle installed by a qualified electrician. (See Figure 1.)

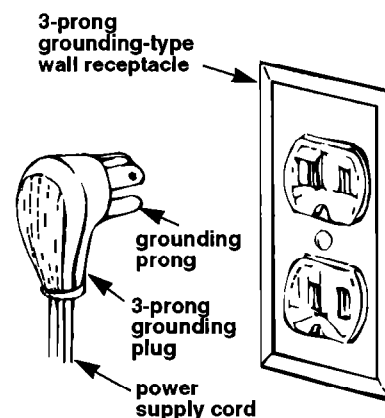


Figure 1

Copies of the standards listed may be obtained from:

\* National Fire Protection Association  
Batterymarch Park  
Quincy, Massachusetts 02269

## Now start...

With compactor in room where it will be installed.

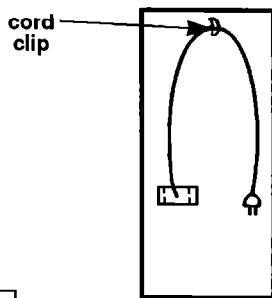
### **CAUTION**

#### Product/Floor Damage

- Do Not grasp console to move compactor.
- Slide compactor onto cardboard or hardboard before moving compactor across floor.

Failure to follow these instructions may cause damage to product or floor covering.

- 1.** Remove compactor from shipping carton. Remove all protective packaging materials such as tape and shipping pads. Remove waxy residue caused by protective shipping material with a mild solution of liquid household cleaner and water.



- 2.** Check that power supply cord is attached to the cord clip on the rear of the compactor. If you wish to change color panel(s), see "Changing Color Panels," Page 4.

- 3.** Measure the height of the cabinet opening from the underside of the countertop to floor. Subtract 1/4 inch (6.4 mm) from this measurement. Adjust compactor to this height using pliers to lower the compactor leveling feet away from the compactor.

### **WARNING**

#### Personal Injury Hazard

When moving or lifting the compactor, use a glove to protect and cushion your hand.

Failure to do so could result in personal injury.

### **CAUTION**

#### Floor Damage

Do not allow the rear frame of the compactor to touch the floor when lifting or rolling. Doing so could damage floor covering.

- 4.** Move compactor close to final position. Turn key to Stop/Lock position.

- 5.** Place level on top of compactor. Check that compactor is level from front to back and side to side. Adjust the four leveling feet until compactor is level. If possible, allow at least 1/4 inch (6.4 mm) clearance between the compactor top and cabinet opening height.

- 6.** Plug power supply cord into grounded outlet. Move compactor into final position.

- 7.** Read the Use and Care Guide Operation Instructions to fully understand your new compactor. Keep all literature in a safe place for future reference.

## Adjusting toe plate

If the toe plate rubs the floor covering, the toe plate clearance may be changed as follows:

1. Mark on each side of the toe plate the amount of toe plate that rubs the floor.

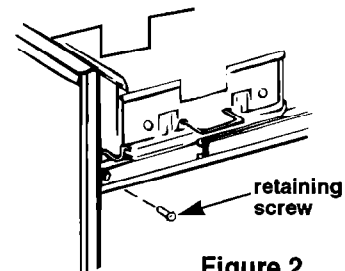


Figure 2

2. Fully open compactor drawer. Remove drawer retaining screws from track assembly on each side of drawer. See Figure 2. Carefully remove the drawer from the track assembly. Place drawer on its back on top of two corner post from carton.
3. With a ruler and a pencil or chalk, draw a line where the toe plate interferes with the floor covering.
4. Use a pair of scissors or a utility knife to cut toe plate along line. See Figure 3.

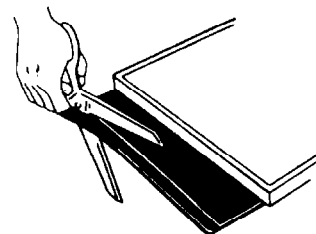


Figure 3

5. Carefully slide drawer back into track assembly. Check the toe plate clearance. If toe plate still rubs floor covering, repeat Steps 1-5.
6. When toe panel is adjusted properly, reattach drawer to track assembly with the two retaining screws.

# Changing color panels

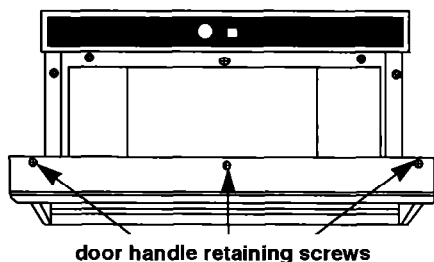
Depending on the model, your compactor may have one or more reversible color panels.

**! WARNING**

**Personal Injury Hazard**

- Handle metal edges of panels carefully. Cut metal edges may cause personal injury or damage to other materials.
- Replace handle before operating compactor

Failure to do so could result in personal injury or damage to other materials.



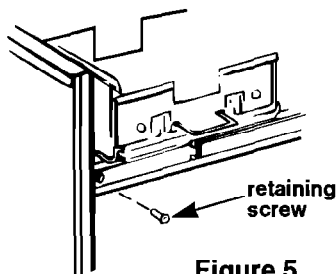
**Figure 4**

## LITTER BIN® panel:

1. Open Litter Bin door.
2. Remove the three door handle screws and handle.
3. Carefully slide door color panel(s) and spacer panels out.

4. Select the color you wish to show and carefully insert color and spacer panel(s) into the door trim
5. Replace the handle and screws.

## Drawer panel:



**Figure 5**

1. Fully open compactor drawer.
2. Remove drawer retaining screws from track assembly on each side of drawer. See Figure 5.
3. Carefully remove the drawer from the track assembly. Place drawer on its back on top of two corner posts from carton.
4. Remove the three retaining screws in the lower drawer trim. Remove trim.
5. Carefully slide door color panel(s) and spacer panels out.
6. Select the color you wish to show and carefully insert color and spacer panel(s) into the drawer trim. Make sure that handle trim bezel is placed into slots in panels.
7. Replace lower drawer trim and screws.
8. Carefully slide drawer back into track assembly. Reattach drawer to track assembly with two retaining screws.

# Custom-made panels

Paint, wallpaper, fabric, etc., can be applied directly to a color panel. (See "Changing color panel, Page 4.")

Custom-made flat or raised panel can be used in place of the color panel(s) and spacers.

**Flat panel:** Must be  $7/32"$  (5.6 mm) thick. This is the thickness of standard  $1/4"$  paneling or plywood. See Figure 6.

**Raised panel:** The outer section of the panel must be  $7/32"$  (5.6 mm) thick to fit into the drawer trim. Decorative trim or raised panel areas must be  $1/4"$  (6.4 mm) from all edges of outer panel.

See Figure 6.

## Litter Bin® door panel:

1. Open Litter Bin door.  
Remove the three door handle screws and handle.
2. Slide color panel(s) and spacer panels out of door trim. Store color panel(s) and spacer panels for future use.
3. Slide decorative panel between trim pieces.
4. Reattach handle with screws.

## Drawer panel:

1. Follow Steps 1-4 for drawer panel under "Changing color panel," Page 4.
2. Slide color panels and spacer panels out of door trim. Store color panel(s) and spacer panels for future use.
3. Slide decorative panel between trim pieces.
4. Follow Steps 7-8 for drawer panel under "Changing color panel," Page 4.

Decorative panels showing raised panel requirements.

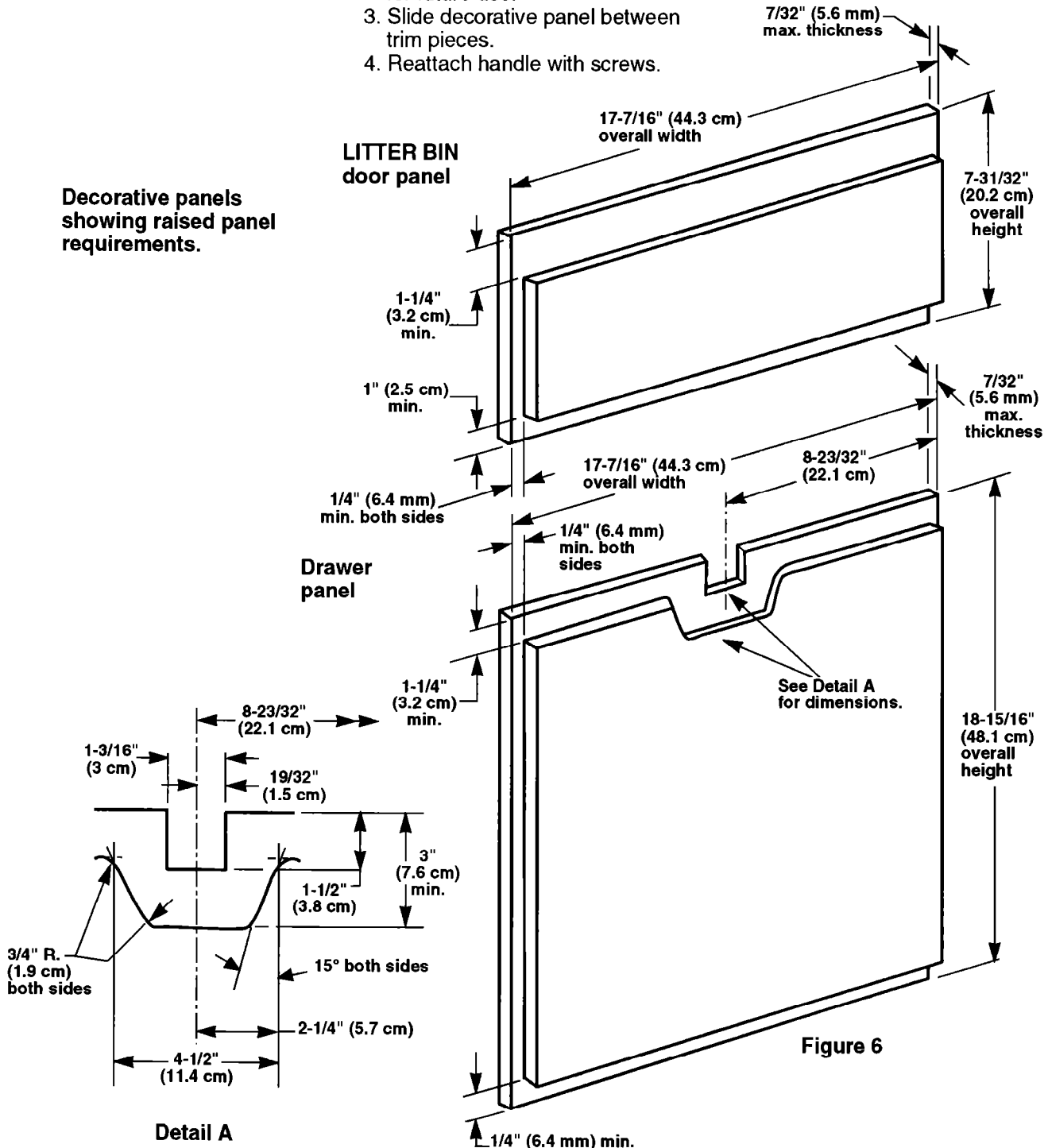


Figure 6

## Before you call for service...

If your compactor does not operate properly, check the following before calling for service –

### If the compactor won't operate:

- Is the power supply cord securely plugged into an electrical outlet?
- Has the house fuse blown or circuit breaker tripped?
- Is the drawer completely closed?
- Is the key-knob turned all the way to "START" position before it is released?

### If compactor stops during operation:

- Push drawer in firmly while turning key-knob to START. Repeat if necessary.
- Rearrange trash load — Do Not load rigid items at front of drawer.

### Trash not compacted:

- Drawer must be at least 1/3 full to see compaction.

### Not enough compaction or force:

- Compacting works best when only a few items are loaded. Use the compacting cycle frequently.

### Drawer won't open:

- Drawer will open only when ram is all the way up. To raise the ram, push drawer in firmly and turn key-knob to START. Release key-knob.

## If you need assistance...

The KitchenAid Consumer Assistance Center will answer any questions about operating or maintaining your trash compactor not covered in the Installation Instructions. The KitchenAid Consumer Assistance Center is open 24 hours a day, 7 days a week. Just dial 1-800-422-1230 — the call is free within the continental United States.

When you call, you will need the compactor number and serial number. Both numbers can be found on the left-hand side of the cabinet opening.

## If you need service...

In the event that your KitchenAid appliance should need service, call the dealer from whom you purchased the appliance or a KitchenAid-authorized service company. A KitchenAid-authorized service company is listed in the Yellow Pages of your telephone directory under "Appliances — Household — Major — Service and Repair." You can also obtain the service company's name and telephone number by dialing, free, within the continental United States, the KitchenAid Consumer Assistance Center telephone number, 1-800-422-1230. A special operator will tell you the name and number of your nearest KitchenAid-authorized service company.

Maintain the quality built into your KitchenAid appliance — call a KitchenAid-authorized service company.