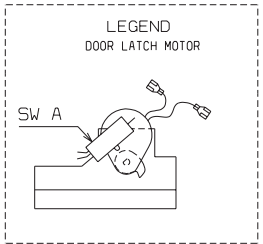
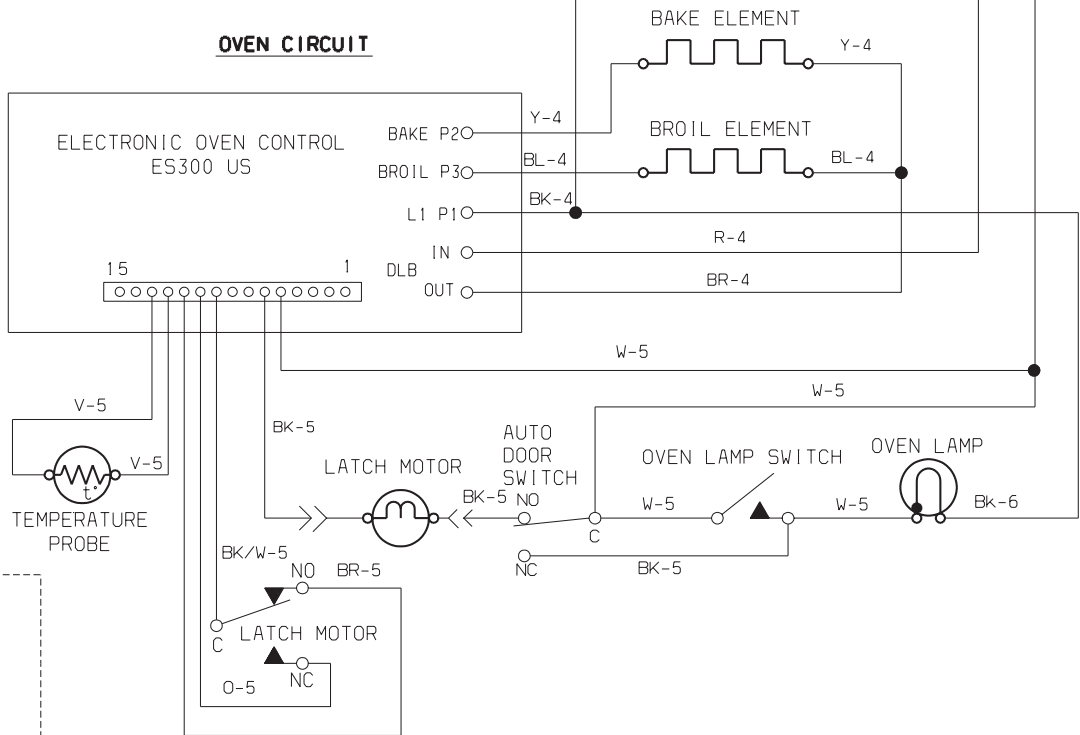


OVEN CIRCUIT



WARNING
DISCONNECT POWER BEFORE SERVICING UNIT.

TRACER WIRE: WIRE COLOR NOTED FIRST, STRIPE NEXT.

EXAMPLE: RED WIRE WITH WHITE STRIPE.

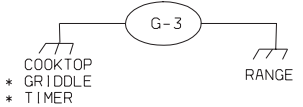
R/W - 10

COLOR WIRE NO.

COLOR CODE			
BK	BLACK	P	PINK
BL	BLUE	PR	PURPLE
BR	BROWN	R	RED
C	COPPER	T	TAN
G	GREEN	V	VIOLET
GY	GRAY	W	WHITE
O	ORANGE	Y	YELLOW
BK/W	BLACK WITH WHITE STRIPE		

NOTE:

- OVEN CONDITION: ALL CONTROLS SET TO "OFF". OVEN DOOR CLOSED.
- "*" THESE COMPONENTS MAY NOT APPEAR ON ALL MODELS.



8	18	105	1015
7	18	200	3122
6	18	125	3173
5	18	150	3321
4	16	150	3321
3	14	150	3321
2	12	150	3321
1	10	150	3321
WIRE NO	GAGE	TEMP C'	UL STYLE

318045323 REV: B

