
Installation Instructions

Full Size Tumble Action Washers

Before beginning installation, carefully read these instructions. This will simplify the installation and ensure the washer is installed correctly and safely. Leave these instructions near the washer after installation for future reference.

NOTE: *The electrical service to the washer must conform with local codes and ordinances and the latest edition of the National Electrical Code, ANSI/NFPA 70.*

⚠ WARNING For your safety the information in this manual must be followed to minimize the risk of fire or explosion or to prevent property damage, personal injury or loss of life.

- Do not store or use gasoline or other flammable vapors and liquid in the vicinity of this or any other appliance.

- WHAT TO DO IF YOU SMELL GAS

- Do not try to light any appliance.
- Do not touch any electrical switch; do not use any phone in your building.
- Clear the room, building or area of all occupants.
- Immediately call your gas supplier from a neighbor's phone. Follow the gas suppliers instructions.
- If you cannot reach your gas supplier, call the fire department.

Installation and service must be performed by a qualified installer, service agency or the gas supplier.

Contents

<u>SUBJECT</u>	<u>PAGE</u>
Pre-Installation Requirements	2
Electrical Requirements	2
Grounding Requirements	2
Water Supply Requirements	2
Drain Requirements	2
Rough-In Dimensions	3
Location Of Your Washer	4
Unpacking	4
Installation	5-6
Replacement Parts	6

PRE-INSTALLATION REQUIREMENTS

Tools Required for Installation:

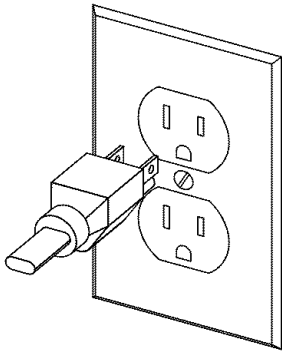
1. Phillips screwdriver
2. 10 mm socket with ratchet.
3. Channel-lock adjustable pliers.
4. Carpenter's level.

ELECTRICAL REQUIREMENTS

CIRCUIT - Individual, properly polarized and grounded 15 amp. branch circuit fused with 15 amp. time delay fuse or circuit breaker.

POWER SUPPLY - 2 wire, with ground, 120 volt, single phase, 60 Hz, Alternating Current. **NOTE:** Because of potential inconsistent voltage capabilities, the use of this washer with power created by gas powered generators, solar powered generators, wind powered generators or any other generator other than the local utility company is not recommended.

OUTLET RECEPTACLE - Properly grounded 3-prong receptacle to be located so the power supply cord is



accessible when the washer is in an installed position. **NOTE:** GFI (Ground Fault Interrupter) receptacle is not required.

GROUNDING REQUIREMENTS

⚠ WARNING Improper connection of the equipment grounding conductor can result in a risk of electrical shock. Check with a licensed electrician if you are in doubt as to whether the appliance is properly grounded.

1. The washer **MUST** be grounded. In the event of malfunction or breakdown, grounding will reduce the risk of electrical shock by a path of least resistance for electrical current.
2. Since your washer is equipped with a power supply cord having an equipment-grounding conductor and a grounding plug, the plug **MUST** be plugged into an appropriate, copper wired receptacle that is properly installed and grounded in accordance with all local codes and ordinances or in the

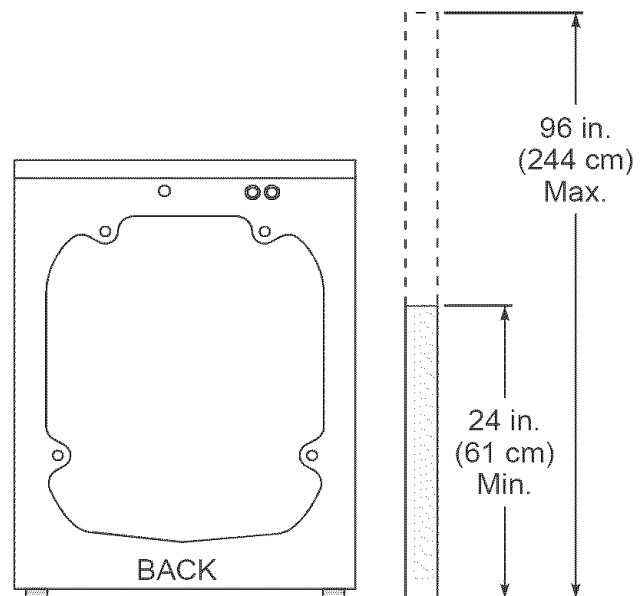
absence of local codes, with the National Electrical Codes, ANSI/NFPA 70 (latest edition). If in doubt, call a licensed electrician. **DO NOT** cut off or alter the grounding prong on the power supply cord. In situations where a two-slot receptacle is present, it is the owner's responsibility to have a licensed electrician replace it with a **properly grounded** three prong grounding type receptacle.

WATER SUPPLY REQUIREMENTS

Hot and cold water faucets **MUST** be installed within 42 inches (107 cm) of your washer's water inlet. The faucets **MUST** be 3/4 inch (1.9 cm) garden hose type so inlet hoses can be connected. Water pressure **MUST** be between 30 and 120 pounds per square inch (maximum unbalance pressure, hot vs. cold, 10 psi.) Your water department can advise you of your water pressure. The hot water temperature should be about 140 degrees F (60 degrees C).

DRAIN REQUIREMENTS

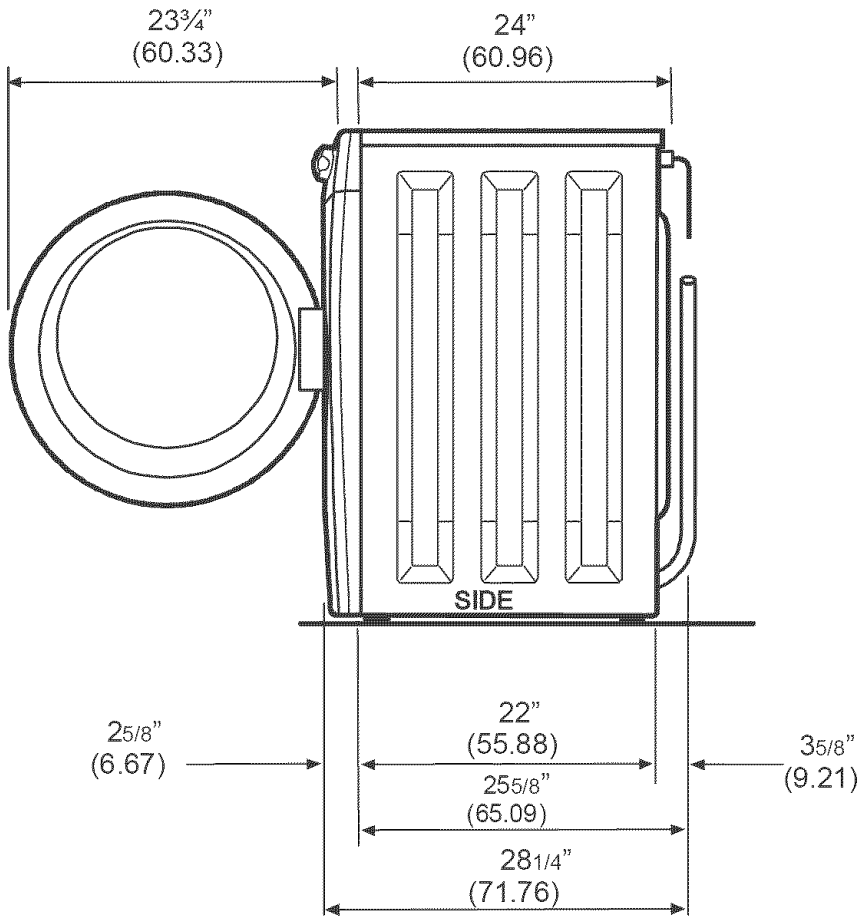
1. Drain capable of eliminating 17 gals (64.3 L) per minute.
2. A standpipe diameter of 1-1/4 in. (3.18 cm) minimum.
3. The standpipe height above the floor should be:
Minimum height: 24 in. (61 cm)
Maximum height: 96 in. (244 cm)



NOTE:

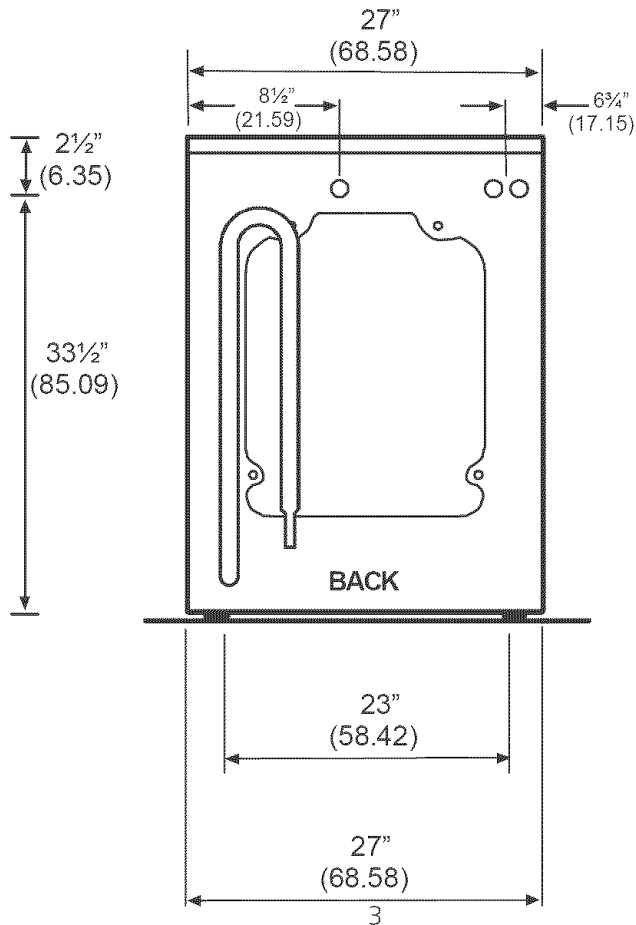
Drain hose attached to the washer can reach a 90 in. (229 cm) high standpipe. For higher standpipe, use hose P/N **134369410**, available from an authorized parts distributor.

ROUGH-IN DIMENSIONS



inches (cm)

NOTE: For pedestal installations, see additional installation instructions included with the pedestal.
 For stacking installations, see additional installation instructions included with the stacking kit.
 For under counter installations, no special top is required.



inches (cm)

LOCATION OF YOUR WASHER

DO NOT INSTALL YOUR WASHER:

1. In an area exposed to dripping water or outside weather conditions. The ambient temperature should never be below 60 ° F (15.6 ° C) for proper washer (detergent breakdown) operation.
2. In an area where it will come in contact with curtains or drapes.
3. In an area (garage or garage-type building) where gasoline or other flammables are kept or stored (including automobiles).
4. On carpet. Floor **MUST** be solid with a maximum slope of 1/2 in. per foot (1.27 cm per 30.5 cm). To ensure vibration or movement does not occur, reinforcement of the floor may be necessary.
4. Carefully return the washer to an upright position.
5. Carefully move the washer to within 4 feet (122cm) of the final location.
6. Remove the following from the back panel of the washer:
 - 4 shipping bolts,
 - 4 spacers,
 - 2 metal "P" clamps.
7. Remove the 4 plugs from the literature pack located in the drum and install them in the holes vacated by the packaging spacers.

IMPORTANT

MINIMUM INSTALLATION CLEARANCES

When installed in alcove or closet:

Sides, Rear = 0 in. (0 cm)

Top = 0 in. (0 cm)

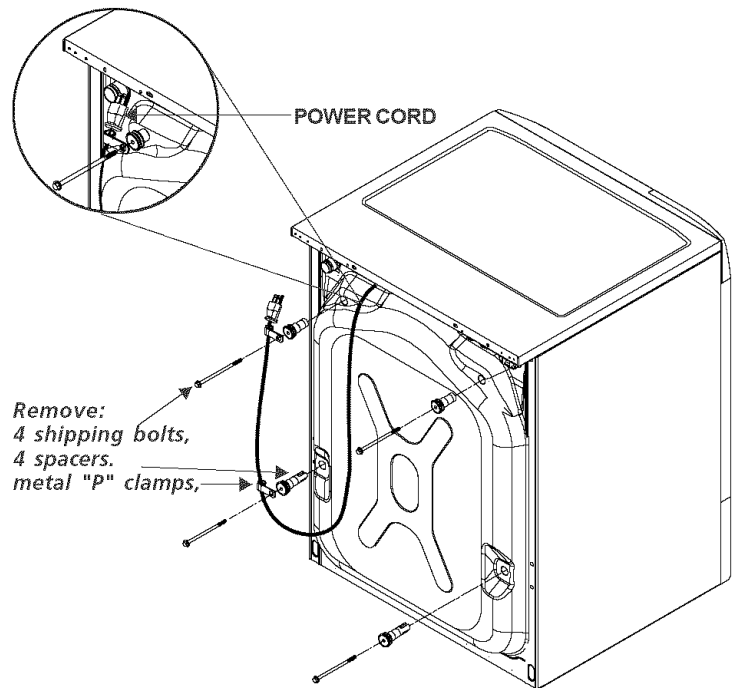
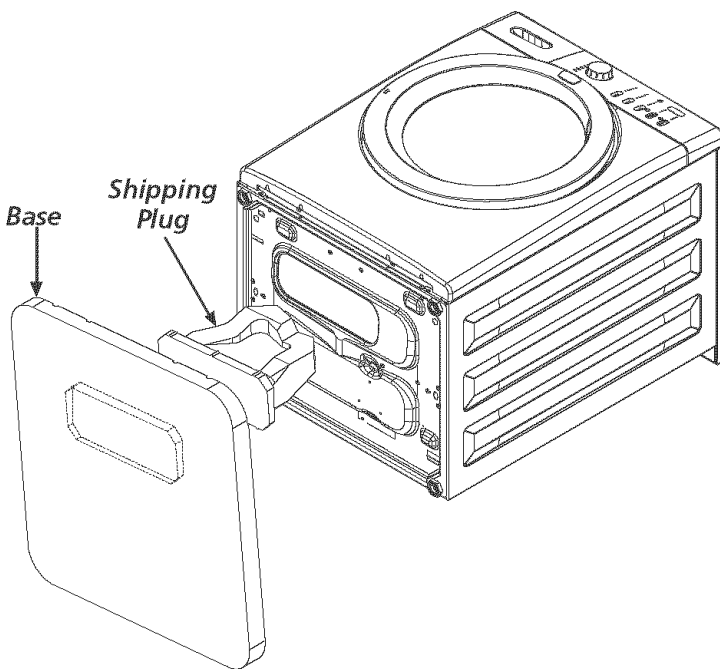
When installed in closet: Front = 1 in. (2.54 cm)

Closet door ventilation required: 2 louvered openings each 60 in² (387 cm²), 3 in. (7.6 cm) from top and bottom of door.

NOTE: If the washer is to be transported at a later date, the shipping support hardware must be reinstalled to prevent shipping damage.

UNPACKING

1. Cut the shipping carton along the dotted line along the bottom. Remove the carton.
2. Using a rug, blanket or piece of cardboard to protect the floor, lay the washer on it's back.
3. Remove and save the styrofoam base and shipping plug.



Remove:
4 shipping bolts,
4 spacers,
metal "P" clamps,

Drain Hose Installation

The drain hose is field installed to allow hose orientation to the left or right, up or down depending on location of the house drain. The hose is shipped in the washer tub with the spring clamp on the coupler elbow and drain hose hanger installed on the end of the hose.

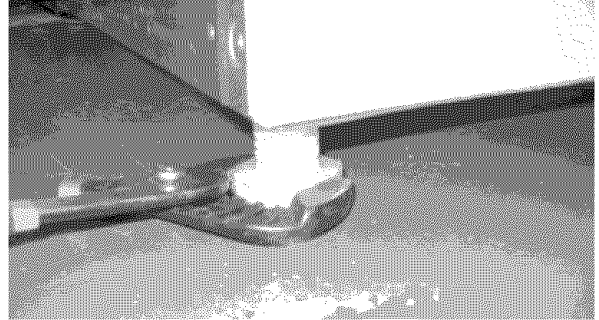
1. Remove the drain hose from the tub of the washer.
2. Push the hose onto the drain coupler at the upper left of the washer back panel until the hose contacts the STOP RIB.

INSTALLATION

Leveling the Washer

Excessive noise and vibration can be prevented by properly leveling the washer.

1. For free standing installation and with the washer in it's final position, place a level on top of the washer. Adjust the leveling legs so the washer is level front-to-rear and side-to-side, and stable corner-to-corner.

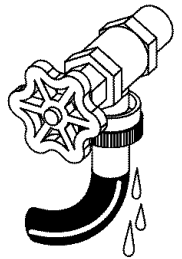


Press down on alternate corners and sides and feel for the slightest movement. Adjust the appropriate leg so the washer is **SOLID** on the floor on **ALL** four legs. Keep the leveling leg extension at a minimum for best performance of the washer.

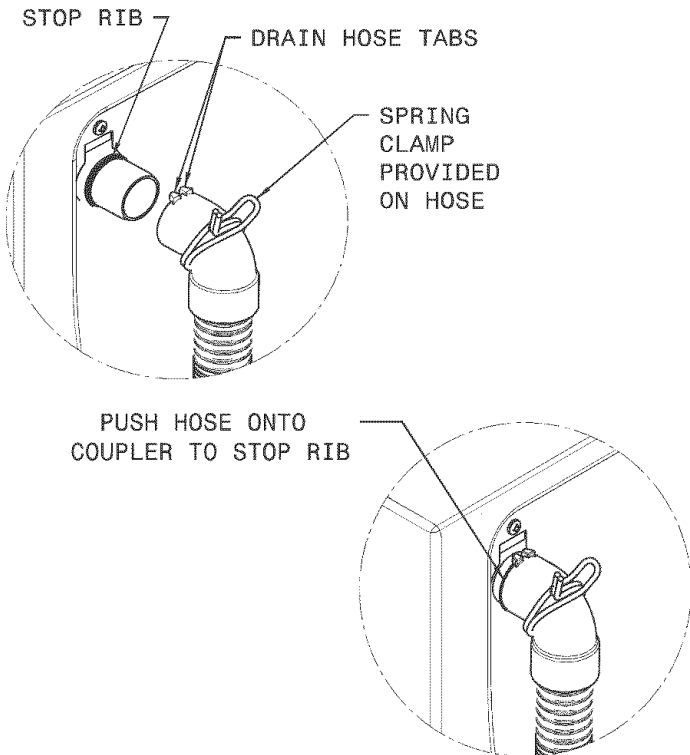
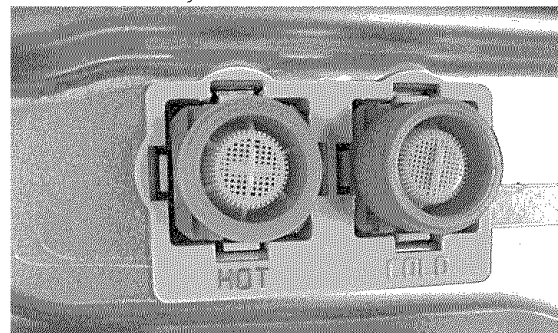
2. For pedestal installations, See additional installation instructions included with the pedestal.

Washer Connections

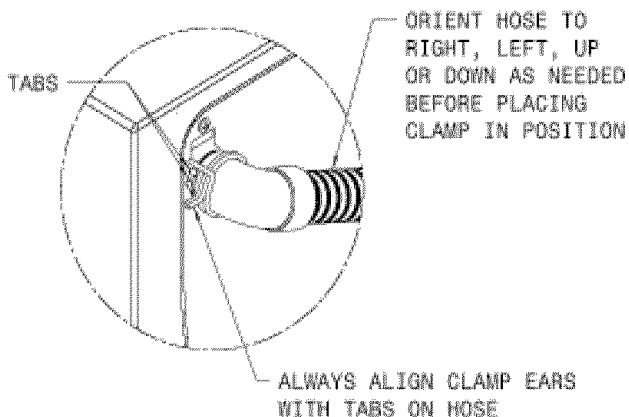
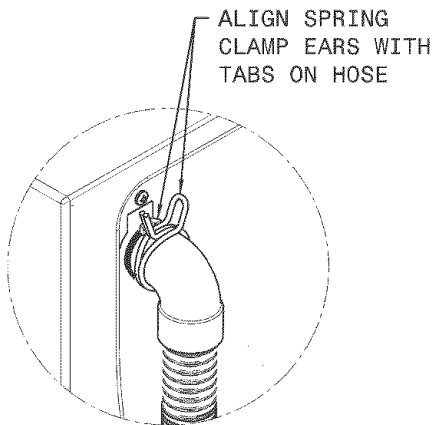
1. Run some water from the hot and cold faucets to flush the water lines and remove particles that might clog up the water valve screens.
2. Remove the inlet hoses and rubber washers from the plastic bag located in the drum of the washer and install the rubber washers in each end of the inlet hoses.
3. Carefully connect the inlet hose marked "HOT" to the outside "H" outlet of the water valve. Tighten by hand, then tighten another 2/3 turn with pliers. Carefully connect the other inlet hose to the inside "C" outlet of the water valve. Tighten by hand, then tighten another 2/3 turn with pliers. **Do not crossthread or over-tighten these connections.**
4. Connect the inlet hose ends to the HOT and COLD water faucets tightly by hand, then tighten another 2/3 turn with pliers. Turn the water on and check for leaks.



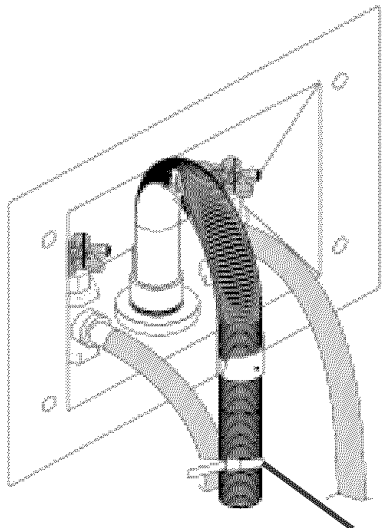
NOTE: Use only new hoses.



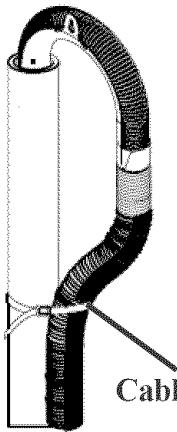
3. Using pliers, squeeze the ears of the spring clamp and position the clamp so the clamp ears align with and contact the tabs on the drain hose. This assures proper location of the clamp to prevent leaks.



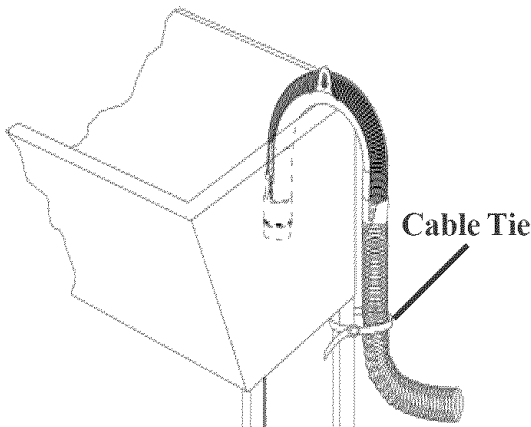
INSTALLATION (CON'T)



Cable Tie



Cable Tie



Cable Tie

5. Place the hook end of the drain hose in the drain opening. Secure the drain hose with the cable tie (provided in the enclosure package) to the standpipe, inlet hose, laundry tub, etc. so the hose does not pull out from the force of the water.
6. Plug the power cord into a grounded outlet.
NOTE: Check to ensure the power is off at a circuit breaker/fuse box before plugging the power cord into an outlet.
7. Turn on the power at a circuit breaker/fuse box.
8. Read the Operating Instructions and Owner's Guide provided with the washer. They contain valuable and helpful information that will save you time and money.
9. Run the washer through a complete cycle. Check for water leaks and proper operation.
10. If your washer does not operate, please review the "Avoid Service Checklist" in your Owner's Guide before calling for service.
11. Place these instructions in a location near the washer for future reference.

NOTE: A wiring diagram and technical data sheet are located in an envelope attached to the left hand side panel on the inside of the washer.

Pedestal

A pedestal accessory, **Model No. APWD15W**, specifically designed for this washer may be used when elevating the washer for ease of use. Failure to use accessories certified by the manufacturer could result in personal injury, property damage or damage to the washer.

REPLACEMENT PARTS

If replacements parts are needed for your washer, contact the source where you purchased your washer, call 1-800-944-9044, or visit our website, www.frigidaire.com, for the Frigidaire Company Authorized Parts Distributor nearest you.

⚠ WARNING Destroy the carton and plastic bags after the washer is unpacked. Children might use them for play. Cartons covered with rugs, bedspreads, or plastic sheets can become airtight chambers causing suffocation. Place all materials in a garbage container or make materials inaccessible to children.

⚠ WARNING The instructions in this manual and all other literature included with this washer are not meant to cover every possible condition and situation that may occur. Good safe practice and caution **MUST** be applied when installing, operating and maintaining any appliance.

Maximum benefits and enjoyment are achieved when all the Safety and Operating instructions are understood and practiced as a routine with your laundering tasks.