

KitchenAid® Outdoor Built-In Grill for combustible construction

PRODUCT MODEL NUMBERS

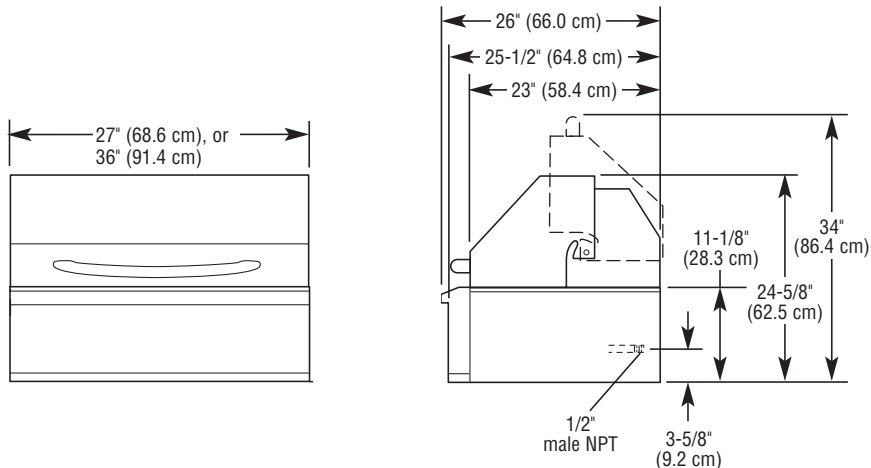
KBGS274SSS KBGS364SSS

Gas supply: Grills are set for natural gas use and have a pressure regulator with 1/2" female pipe threads. Grills can be converted to L.P. gas. If local codes permit, use a flexible stainless steel tubing gas connector, design-certified and marked "outdoor" by AGA or CSA International, to connect the side burner to the rigid gas supply line. 5/8" diameter line is recommended.

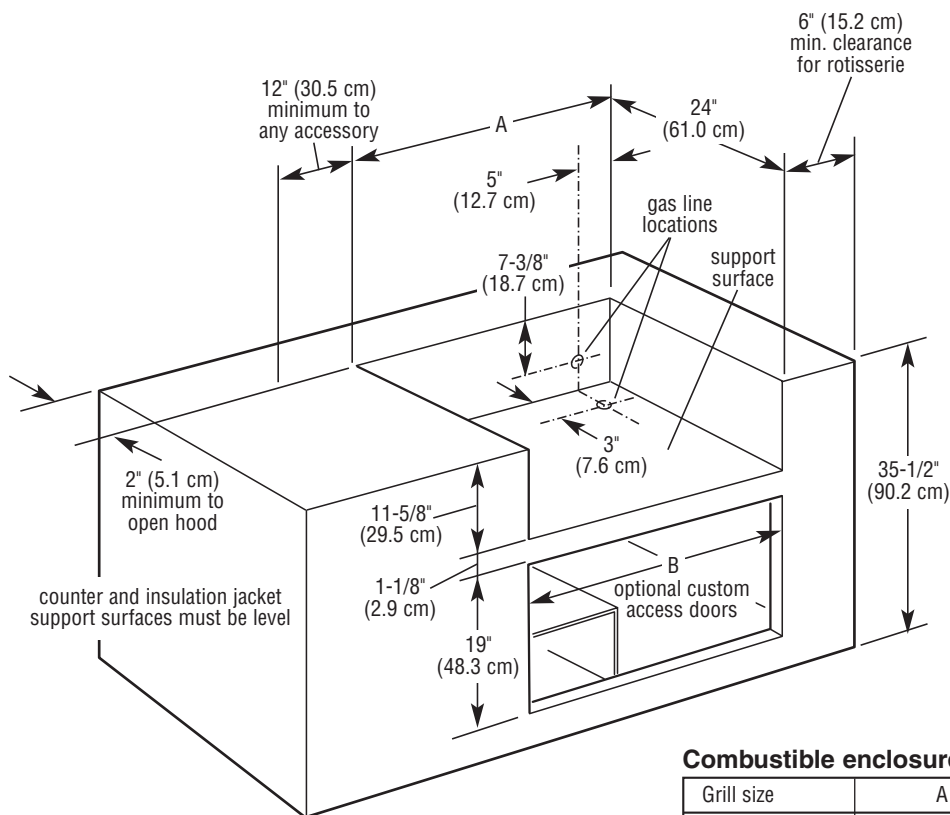
Electrical supply: For rotisserie use, a 120-volt, 60-Hz, AC-only, 15-ampere, electrical supply is required.

A minimum of 12" (30.5 cm) must be maintained between the grill hood, sides and back and any combustible construction.

OVERALL DIMENSIONS



CABINET OPENING DIMENSIONS



Combustible enclosure installations

Grill size	A	B
27" (68.6 cm)	33" (83.8 cm)	25-1/4" (64.1 cm)
36" (91.4 cm)	42" (106.7 cm)	34-1/4" (87.0 cm)