

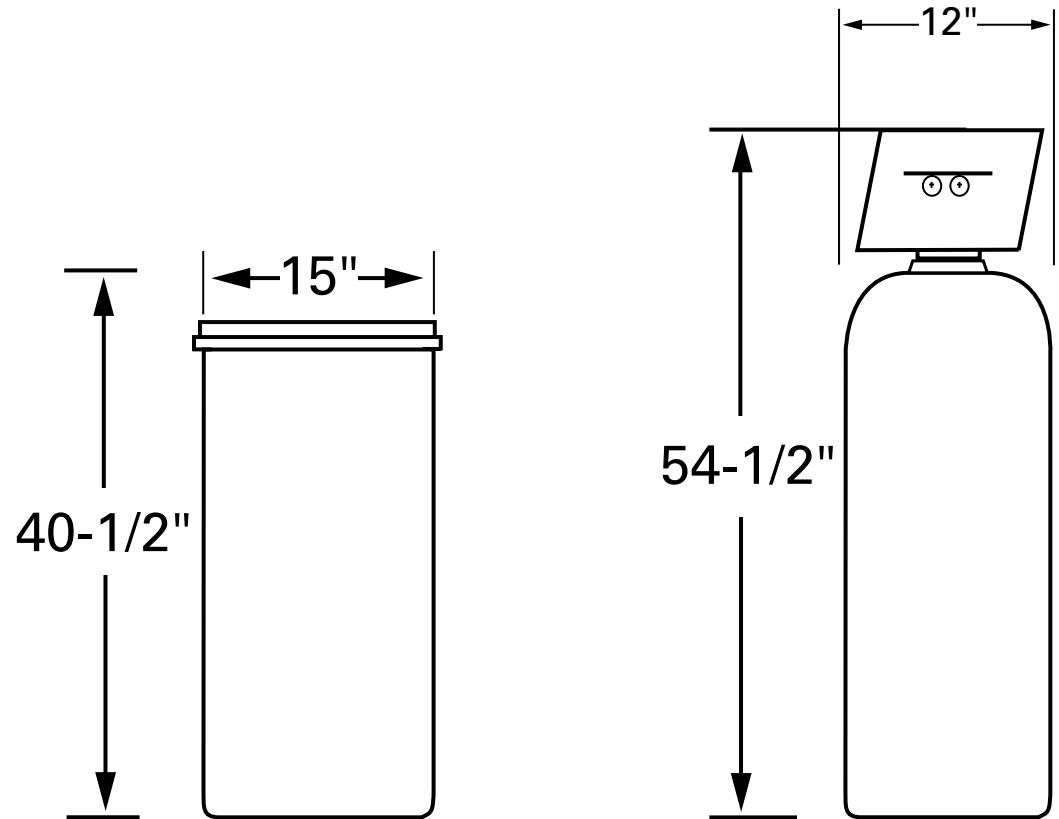
GNPR48L GE® Water Softener System

Dimensions and Installation Information (in inches)

Salt Capacity: 350 lbs.

Important: All units must be installed according to local codes.

Note: Before installing, consult installation instructions packed with product for current dimensional data.



For answers to your Monogram®, GE Profile™ or GE® appliance questions, visit our website at ge.com or call GE Answer Center® service, 800.626.2000.



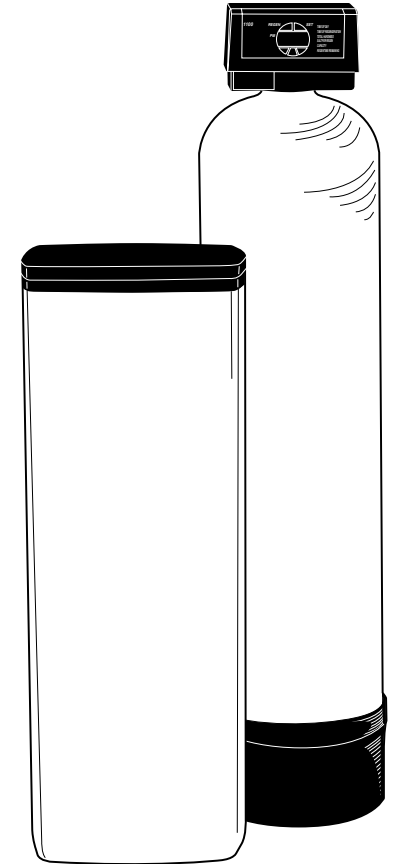
NSF Approved

NSF is the most highly recognized independent testing institution in the water treatment industry. NSF inspects our manufacturing facilities, structurally tests our product, tests our product to make sure nothing harmful is added to the water, and certifies our product performance as specified on the performance data sheet (inside the product box).

GNPR48L GE® Water Softener System

Features and Benefits

- Super High Flow Valve, 15.2 and 18 Flow Rate
- Up to 1 1/4 Plumbing Connection
- Two Tank Softener
- 350 lb Salt Storage Capacity
- Electronic Controls/Display
- Limited 1 Year Entire Appliance; Limited 10 Year Cabinet/Resin Tank; Limited 3 Year Electronic Monitor
- Super Capacity (37,100 Grains and 48,900 Grains)
- Daily Water Tracker
- Advanced Monitoring System
- Memory Backup of 6 Hours
- Model GNPR48L - White



imagination at work



NSF Approved

NSF is the most highly recognized independent testing institution in the water treatment industry. NSF inspects our manufacturing facilities, structurally tests our product, tests our product to make sure nothing harmful is added to the water, and certifies our product performance as specified on the performance data sheet (inside the product box).