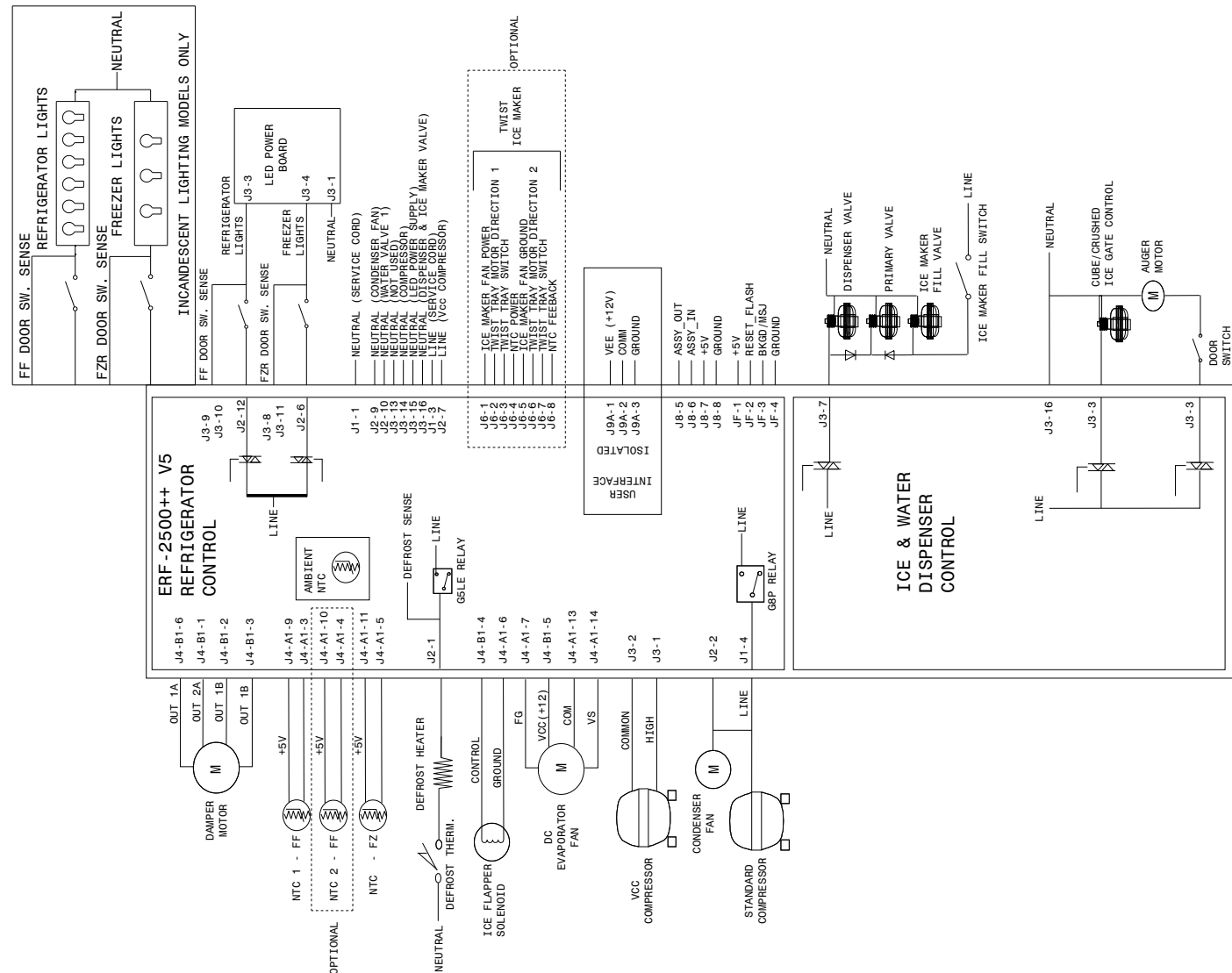


PERFORMANCE DATA NO LOAD & NO DOOR OPENINGS AT 0° F FREEZER & 37° F FRESH FOOD (2500 ++ V5)				
Type A with Run/ Start Capacitor	65°F (18°C) Ambient		90°F (32°C) Ambient	
	Variable Speed	Standard	Variable Speed	Standard
Operating Time	74 to 84%	32 to 40%	100%	55 to 65%
Freezer Temperature	-2° to 2° F -19° to -17° C	0° to 4° F -18° to -16° C	-1° to 3° F -18° to -16° C	-1° to 3° F -18° to -16° C
Refrigerator Temperature	34° to 39° F 1° to 4° C	34° to 39° F 1° to 4° C	34° to 39° F 1° to 4° C	34° to 39° F 1° to 4° C
Low Side Pressure (cut-in)	5 to 12 psig 43 to 83 kPa	5 to 12 psig 43 to 83 kPa	N/A	5 to 12 psig 43 to 83 kPa
Low Side Pressure (cut-out)	-2 to 2 psig -14 to 14 kPa	-2 to 2 psig -14 to 14 kPa	-2 to 2 psig -14 to 14 kPa	-2 to 2 psig -14 to 14 kPa
High Side Pressure (last 1/3 cycle)	90 to 105 psig 621 to 724 kPa	90 to 115 psig 621 to 793 kPa	120 to 135 psig 827 to 931 kPa	130 to 155 psig 896 to 1069 kPa
Wattage (last 1/3 cycle)	50 to 60	90 to 130	60 to 70	100 to 140
Amps (running)	0.5 to 0.9	0.7 to 1.1	0.6 to 1.0	0.8 to 1.2
Base Voltage	115 vac (127 vac max)			
DEFROST SPECIFICATIONS				
Cabinet Size	Thermostat		Heater	
	Cut-in	Cut-out	Watts	Ohms
23' CD, 26'	25° F (-4° C)	47° F (8° C)	450	30
Electronic Timer - (ADC) Defrost 24 minutes every 6-96 hours of compressor run time.				
CONDENSER FAN MOTOR				
Watts	RPM	Amps		
3.1	1100 CW Opposite Shaft	0.03 Running		



SERVICE DATA SHEET

242288303

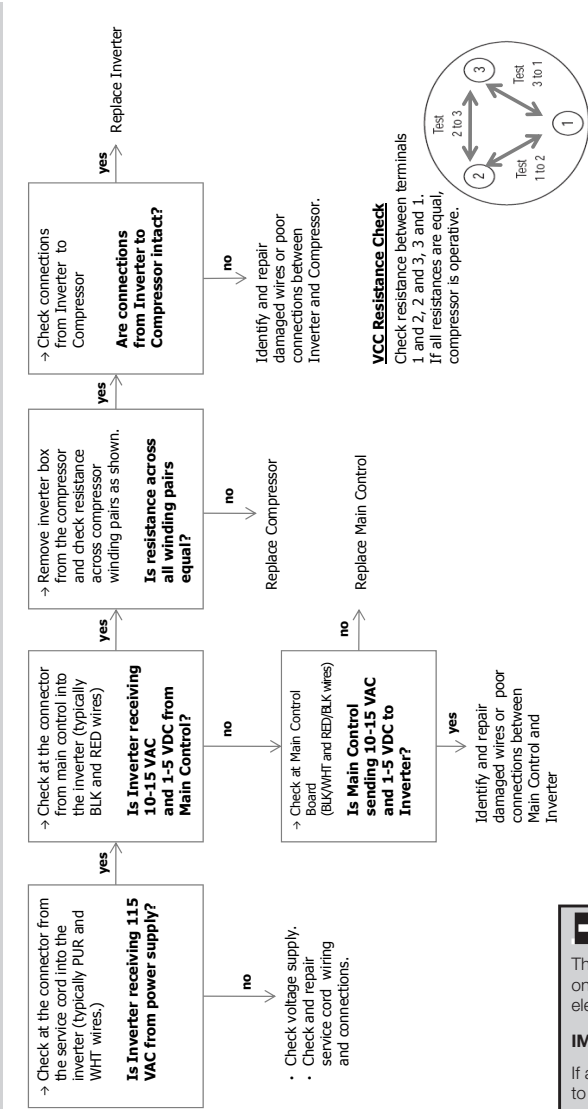
ICE & WATER - AUTOMATIC DEFROST SIDE BY SIDE - R134a

IMPORTANT: PLEASE RETURN THIS SHEET TO ITS ORIGINAL LOCATION

Error Codes			Special Modes		
Display	FF	Interpretation	Mode	Display	Activate/Deactivate (press for up to 10 sec. simultaneously)
FZ	FF			FZ	
--	OP-	Open FF mid-level thermistor	Manual Defrost	d	F
OP	--	Open FZ thermistor	Display/Showroom	77	77
--	SH-	Shorted FF mid-level thermistor	Sabbath	Sb	Sb
SH	--	Shorted FZ thermistor	Diagnostic	No FF or FZ display, all UI LEDs on.	^ and V/+ to deactivate
SY	CF	UI to Main Control Board communication failure; on start up	Notes: <ul style="list-style-type: none"> Always check for pin back-outs, pinched or damaged wires before replacing components. Determine whether failure is caused by the component, main control board or wiring. Contact TID before replacing main control board. Refer to Service Manual for additional information. 		
SY	CE	UI Main Control Board communication error; after a period in operation			
SY	EF	Evaporator fan failure			

Diagnostic Mode		
Activate:	Press ^ and V temperature pads for up to 10 sec. simultaneously. Press + to advance through tests.	
Deactivate:	Press + for up to 10 sec. Diagnostic Mode will automatically deactivate after 5 min. of inactivity. Note: Silence alarm.	
<ul style="list-style-type: none"> Tests marked with "*" may not be applicable to this unit and will not be displayed in Diagnostic Mode. Tests displayed in diagnostic mode but not described below are for internal purposes only; advance through. View UI display for "on," "off," "CL," "OP," "SH," "LO," "HI" or numerical results of tests. Listen for operating sounds; feel for heat or air flow as appropriate to determine results of tests. 		
Test	To activate test:	Passing result
--	First Screen	--
--	Second Screen	--
--	Third Screen	--
28	Dispenser Paddle	Press disp. paddle
1*	Standard Compressor and Condenser Fan	Press set
2	Defrost Heater	Press set
3	FF Light	Press set
8	Water Valve (Dispenser)	Press set
9	FZ Light	Press set
10	Auger Motor	Press set
11	Cube/Crush Solenoid	Press set
41*	Perfect Temp Drawer (PTD)	Press set
12*	VCC Condenser Fan	Press set
38*	VCC Compressor	Press set
15	Evaporator Fan	Press set
22	Damper	Press set
23	FF Door	Open/close FF door
24	FZ Door	Open/close FZ door
26	Defrost Limit Switch	Activates automatically
36	Ice Chute Door	Depress ice chute door or press set
29	FF Thermistor Mid-level	Activates automatically
30	FZ Thermistor	Activates automatically
33	Ambient Thermistor @ Main Board	Activates automatically
34	Ambient Thermistor @ UI	Activates automatically
46	Humidity Sensor	Activates automatically
47*	Dispenser Pocket Heater	Press set
0-	Firmware Parameters	Press set
2-	Main Board Firmware	Press set
4-	UI Firmware	Press set

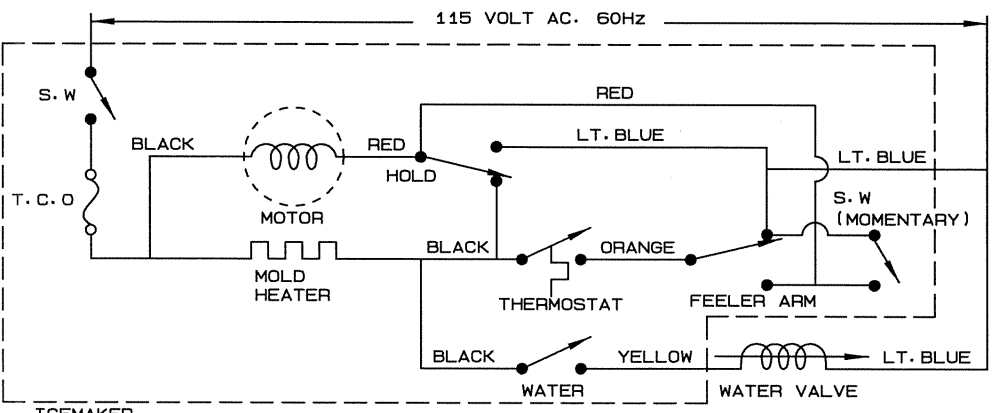
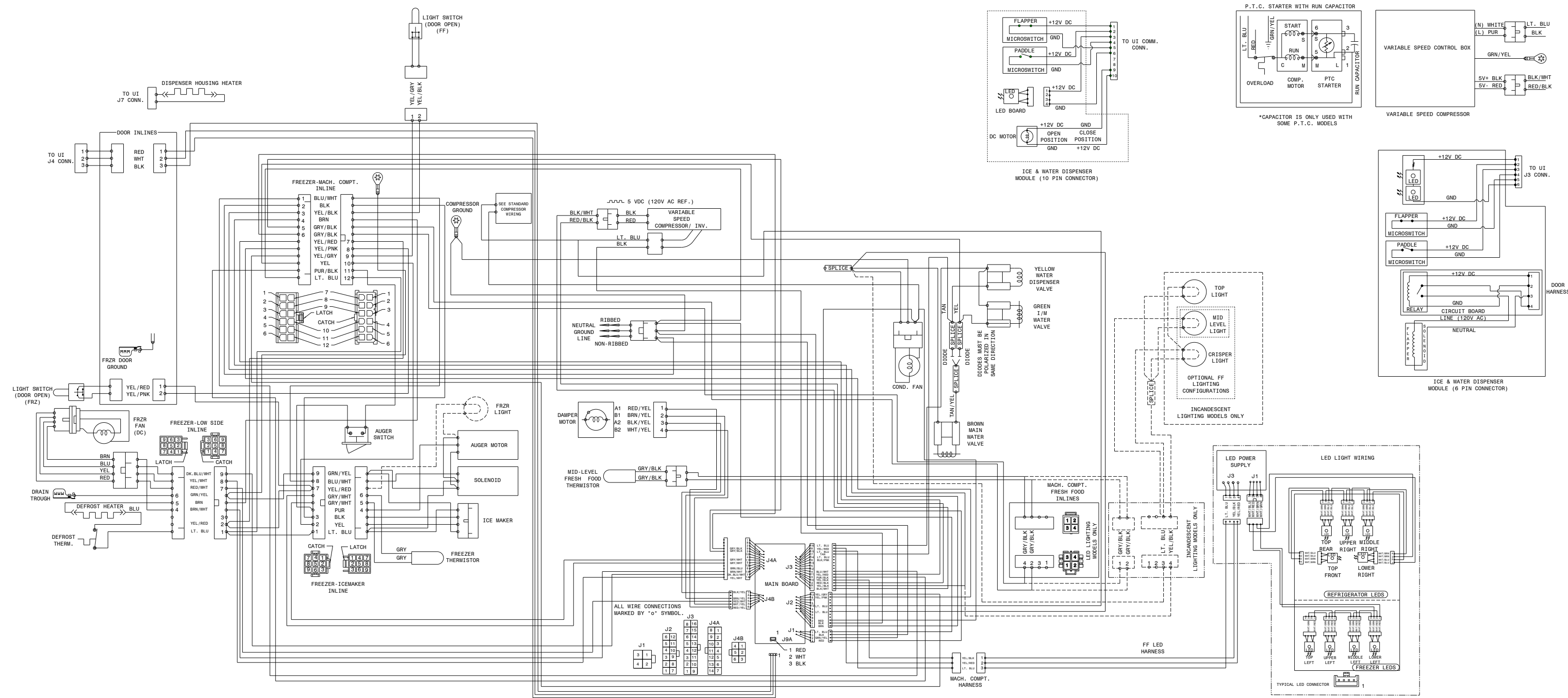
Variable Capacity Compressor (VCC) Diagnostics (select models)
If test 38 fails, diagnose as follows:



IMPORTANT SAFETY NOTE
The information provided herein is designed to assist qualified repair personnel only. Untrained persons should not attempt to make repairs due to the possibility of electrical shock. Disconnect power cord before servicing this appliance.

IMPORTANT
If any green grounding wires are removed during servicing, they must be returned to their original position and properly secured.

CAUTION
All electrical parts and wiring must be shielded from torch flame. DO NOT allow torch to touch insulation; it will char at 200°F and flash ignite (burn) at 500°F. Excessive heat will distort the plastic liner.



ICE MAKER INFORMATION

Test Cycling
Press the momentary contact on the ON/OFF switch for approximately 15 seconds. Ice maker will continue to complete the cycle.

Water Fill Volume
The water fill can be adjusted without removing the ice maker cover. To adjust the fill size, remove the small round plug next to the On/Off Switch. Insert a #2 Phillips screwdriver into the hole about an inch or until it engages the Water Fill Adjustment Screw. Turn the screw clockwise to reduce the fill size; turn the screw counterclockwise to increase the fill size. One turn equals approx 20cc (0.68 oz). The correct fill is 85 to 95cc (2.75 to 3.25 oz). When a water valve is replaced, check the fill volume.

ICE MAKER SPECIFICATIONS		
Electrical	115 vac (127 vac max)	
Thermostat	Opens at 48° F (9° C), Closes at 9° F (-13° C)	
Heater Wattage	112 watts	
ICE MAKER CONNECTOR PLUG CONNECTIONS		
Wire Number	Wire Color	Connects to:
1	Green/Yellow	Ground
2	Yellow	Water Valve
3	Black	Line
4	Light Blue	Neutral

A02612201