



## **Installation Instructions**

Built-In Dishwasher

## **Instrucciones de Instalación**

Lavavajillas Empotrado

## **Instructions d'installation**

Lave-vaisselle encastré



 **Electrolux**



## READ THESE INSTRUCTIONS

### NOTE

**Installer:** Leave instructions with owner.

**Owner:** Read your dishwasher **Use & Care Manual**. It contains important safety information for operating this appliance. It also has many suggestions for getting the best results from your dishwasher.

Read all instructions before installing the dishwasher.

For your safety, please read and observe all safety instructions. This guide will help you anticipate electrical, water, and drain connections and help you select the best location for the dishwasher.

### WARNING

**Tip Over Hazard:** Do not use dishwasher until completely installed.

Do not push down on open door.

Failure to follow this warning can result in serious injury and void your warranty.

## QUESTIONS?

1-877-4Electrolux (United States and Canada)

## INTERNET

For online support and product information, in the U.S. visit [www.electroluxusa.com](http://www.electroluxusa.com). In Canada, visit [www.electroluxca.com](http://www.electroluxca.com).

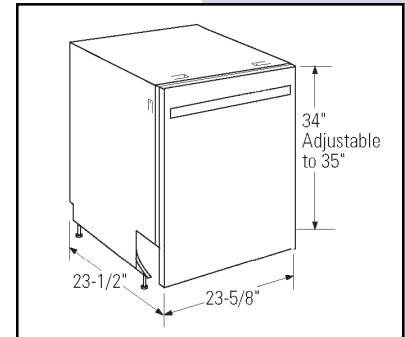
# 4 Finding Information

## TABLE OF CONTENTS

<b>Finding Information</b> .....	<b>4</b>	<b>Finishing the Connections</b> .....	<b>17</b>
Questions? .....	3	Finishing the Water Connection .....	17
Internet .....	3	Finishing the Drain Connection .....	17
Finishing the Electrical Connection .....	18		
<b>Preparing for Installation</b> .....	<b>5</b>	<b>Finishing the Installation</b> .....	<b>19</b>
Dimensions .....	5	Positioning the Dishwasher in Cabinet .....	19
Materials Not Included but Needed for All		Checking the Installation .....	19
Installations .....	5		
Materials Not Included but Needed for New		<b>Securing the Dishwasher</b> .....	<b>20</b>
Installations .....	5	Securing to Cabinet .....	20
Tools Not Included but Needed for All		Securing to Countertop .....	20
Installations .....	6		
Tools Not Included but Needed for New		<b>Completing the Installation</b> .....	<b>21</b>
Installations .....	6	Installing the Toekick .....	21
Parts Supplied .....	6		
Installation Tips .....	7	<b>Adjusting Trim Plates</b> .....	<b>22</b>
Getting Started .....	8	Adjusting Stainless Steel Trim Plates .....	22
<b>Making the Connections</b> .....	<b>10</b>	<b>Versión en Español</b> .....	<b>23</b>
Locating the Connections .....	10	<b>Version en français</b> .....	<b>43</b>
Making the Electrical Connection .....	11		
Making the Water Connection .....	11		
Making the Drain Connection .....	12		
<b>Installing the Dishwasher</b> .....	<b>14</b>		
Removing the Packaging .....	14		
Installing the Leveling Legs .....	14		
Removing the Foam Support .....	14		
Removing the Access Cover .....	15		
Installing the Elbow .....	15		
Leveling the Dishwasher .....	16		
Positioning the Dishwasher for Installation .....	16		

## DIMENSIONS

Make sure the area selected for the installation site meets product dimension requirements.



## MATERIALS NOT INCLUDED BUT NEEDED FOR ALL INSTALLATIONS

- 90° elbow (3/8" NPT external thread on one end, opposite end sized to fit water supply)
- Strain relief for electrical connection
- Thread seal tape, pipe seal tape, or joint compound
- UL listed wire connectors (3)
- Screw-type hose clamps

### NOTE

Do not use old parts.

## MATERIALS NOT INCLUDED BUT NEEDED FOR NEW INSTALLATIONS

- Air gap for drain hose (if applicable for local codes)
- Y-branch tailpiece (see Figure 4, page 12) for house plumbing, if applicable
- Water in-line 3/8" minimum copper or 1/2" minimum plastic (plastic must be tested for temperature and pressure)
- Electrical cable or power cord
- Hand shut-off valve (recommended)

# 6 Preparing for Installation

---

## TOOLS NOT INCLUDED BUT NEEDED FOR ALL INSTALLATIONS

---

- Phillips head and flat blade screw drivers
- 3/8", 5/16" and 1/4" nut drivers
- Level
- Carpenter's square
- Measuring tape
- Safety glasses
- Flashlight
- Bucket to catch water when flushing the line
- Tubing cutter
- Gloves
- Wire strippers
- Electrical tape
- Duct tape

## TOOLS NOT INCLUDED BUT NEEDED FOR NEW INSTALLATIONS

---

- Drill and appropriate bits
- Hole saw set

## PARTS SUPPLIED

---

Remove the hardware accessory bag and other parts from inside of the dishwasher. Parts supplied include:

- Junction box cover and cover screw
  - 2-piece Toekick with sound insulation
  - Countertop mounting screws (2)
  - Cabinet mounting screws (2)
  - Color-matched toekick screws (2)
  - Leveling legs (2)
  - Spanner wrench for leveling legs
-

## INSTALLATION TIPS

Please read all safety instructions before installing your new Electrolux dishwasher.

### **WARNING**

**Electric Shock Hazard - Disconnect electrical power at the fuse box or circuit breaker box before beginning installation. Failure to follow this warning could result in death or serious injury.**

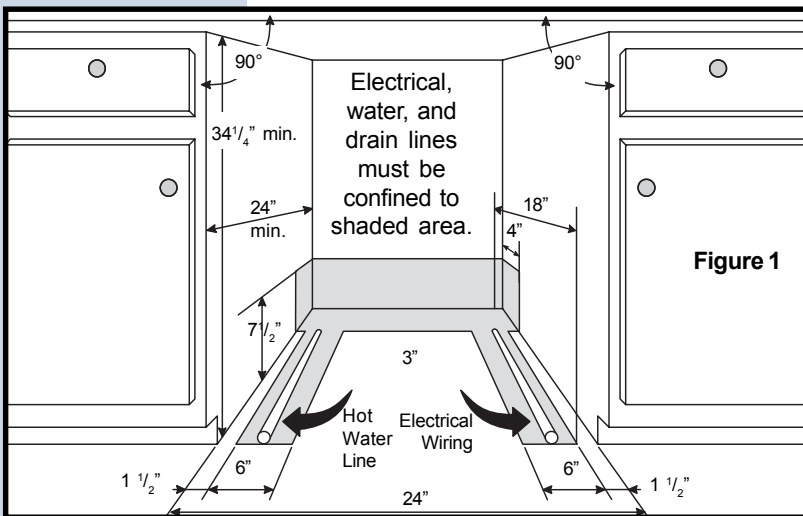
- Examine the dishwasher and locate the connections. See *Locating the Connections*, page 10.
- Locate dishwasher where there is easy access to drain, water, and electrical lines. The best location is on either side of the kitchen sink for access to existing plumbing and ease in loading dishes. See *Making the Connections*, pages 10-13.
- Electrical, water and drain connections are not the same for all age, brands or models of dishwasher. Check the location and length of home utilities. See *Making the Connections*, pages 10-13.
- A 15-20 amp, grounded 120 volt AC only electrical supply is required. See *Making the Connections*, pages 10-13.
- If the dishwasher drain hose will be connected to a food disposer for the first time, remove knock out plug covering disposer inlet. See *Making the Connections*, page 13.
- Kinked water and drain hoses can cause problems. See *Finishing the Connections*, page 17.
- Dishwashers need to be connected to a hot water supply with enough water pressure to ensure an adequate fill. See *Making the Water Connection*, page 11.
- Each home installation differs. You will need additional parts listed above to complete the installation. See *Materials Not Included But Needed For New Installations*, page 5.
- Flush water line prior to making the final connection to prevent clogging of the inlet valve filter screen. See *Finishing the Water Connection*, page 17.
- The dishwasher will look, sound and perform best when properly leveled. See *Leveling the Dishwasher*, page 16.
- Anchor the dishwasher to the countertop and adjacent cabinets. See *Securing the Dishwasher*, page 20.

# 8 Preparing for Installation

## GETTING STARTED

### **WARNING**

**Electric Shock Hazard -** Observe all local codes and ordinances for electrical and plumbing connections. All electrical and plumbing work should be performed by qualified persons. Failure to follow this warning could result in death or serious injury.



- 1 Make sure your location has the right drain, water and electrical outlets to make connections. Do not install unit under a cooktop. Damage may occur.

### **WARNING**

**Electric Shock Hazard -** Electrical, water and drain lines must be confined to shaded areas in Figure 1.

Electric conductors, water and drain could be damaged.

Failure to follow these instructions could result in fire or electric shock.

### **NOTE**

For proper operation and appearance of the unit, cabinet opening should have dimensions as shown in Figure 1. If unit is to be placed in a corner, there must be at least 2 inches between the opened door and the wall in order to open the door.



# Preparing for Installation **9**

---

- 2 Remove any carpet from area to provide clearance. Floor should be flat and free from any obstructions.

## **NOTE**

Drain, water and electrical lines should be roughed-in before going any further.

## **NOTE**

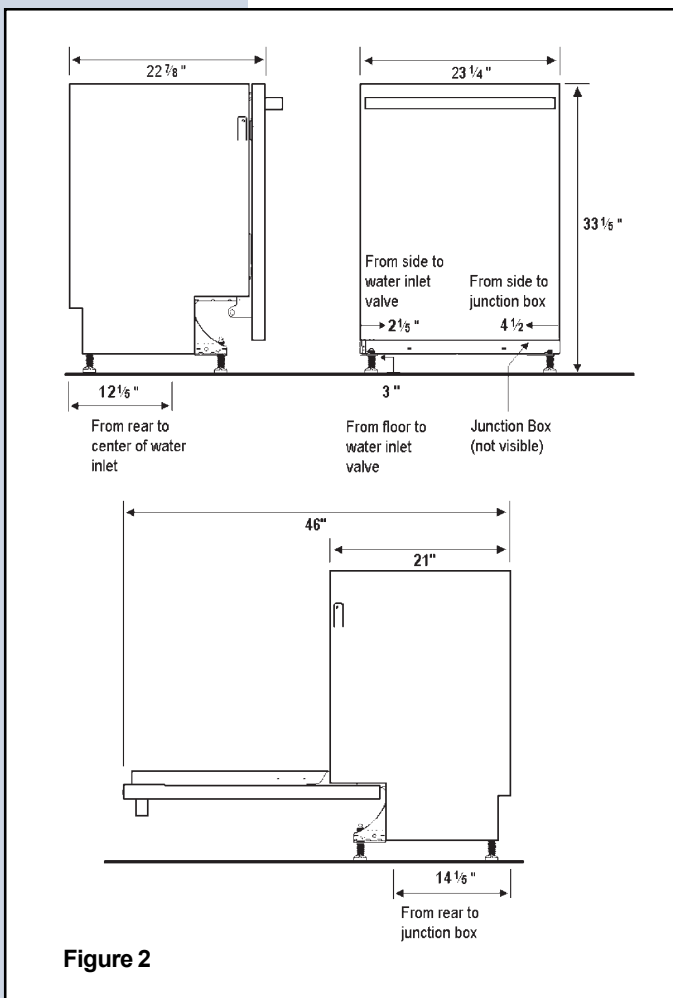
If the dishwasher is installed at the end of a cabinet line, the dishwasher sides and back must be fully enclosed.

# 10 Making the Connections

## LOCATING THE CONNECTIONS

### NOTE

Do not cross drain, water and electrical lines in front of dishwasher motor or frame.



- 1 Review dimensions in **Figure 2** to locate the dishwasher's drain, water and electrical connections.
- 2 All connections must be made in the shaded area of **Figure 1**, page 8.

### NOTE

Disconnect power at breaker box before starting installation.

## MAKING THE ELECTRICAL CONNECTION

- 1 The dishwasher operates on a 120 Volt, 60 Hz electrical supply. Provide a separate circuit with a fuse or circuit breaker rated for at least 15 amps (20 amps if connected with a disposer), but not more than 20 amps.
- 2 Note the location of the electrical supply and the dishwasher's electrical junction box on the right hand underside of the unit. **See Figure 2, page 10.**
- 3 Cut the access hole in the shaded area shown in **Figure 1**, page 8.
- 4 Pull electrical cable through the hole into the installation area.

## MAKING THE WATER CONNECTION

- 1 Determine where you connect to the hot water supply. Review **Figure 2**, page 10 and note the location of the water inlet valve.

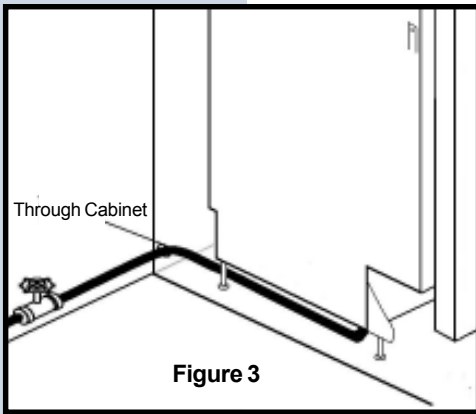
### **CAUTION**

**Property Damage - Do not use the furnished drain hose or a rubber garden hose for the water supply line. Either of these hoses can burst. Flooding may occur and cause property damage. Property damage resulted from actions described will void the warranty.**

**An existing or new, copper or stainless steel braided line, rated for dishwasher use, should attach the dishwasher to the water supply line.**

- 2 Be sure water inlet is protected from freezing. If valve freezes and ruptures, flooding may occur.
- 3 Determine the amount of tubing needed to connect the hot water supply to the unit's water inlet valve. Copper tubing must have a minimum of 3/8" OD. High-pressure and high-temperature rated plastic tubing with a minimum inner diameter of 1/4" may be used. A shut-off valve installed outside the dishwasher cabinet is recommended. **See Figure 3, page 12.**

# 12 Making the Connections



- 4 Cut water access hole in cabinet as shown in **Figure 3**.
- 5 Route water supply line to installation area.

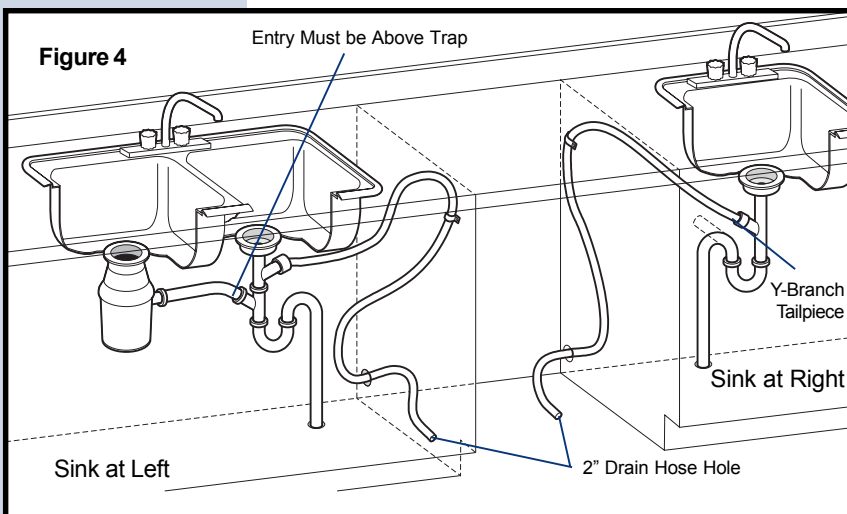
## NOTE

Incoming hot water temperature, set at the hot water heater, should be 120°F (49°C). Water pressure should be between 20-120 psi.

## MAKING THE DRAIN CONNECTION

### CAUTION

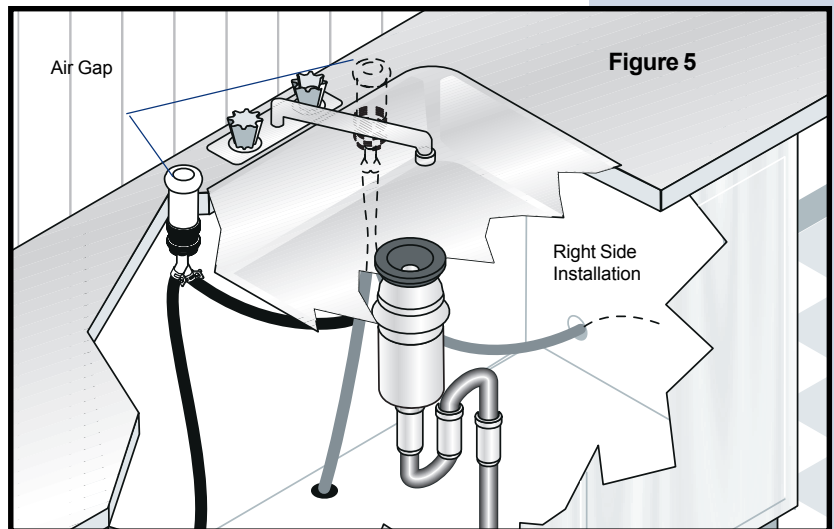
To prevent siphoning, an air gap **MUST BE USED** when waste tee or disposer connection is less than 18" above the floor to prevent siphoning. Failure to provide the proper drain connection using an air gap or a 30" minimum high drain loop will result in improper draining and may cause property damage or poor wash performance.



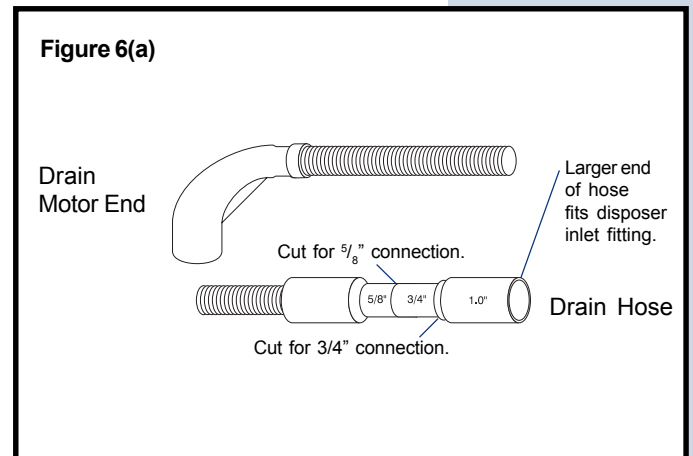
- 1 Follow local codes and ordinances.
- 2 Review **Figure 4** page 12, and **Figure 5** page 13 to see the different ways to connect dishwasher to drain system. Choose the method that best suits your need.
- 3 **If you connect to a sink drain,** entry will need to be above the trap. A "Y" branch tailpiece and connector kit, not included, will make this method easier and includes all needed fittings and instructions. **See Figure 5,** page 13.

# Making the Connections 13

7 If you connect to a sink trap, local codes may require you to install an air gap kit, not included. The drain hose will be routed from the dishwasher to an air gap inlet as shown in **Figure 5**. An air gap kit is available from a plumbing supply store.

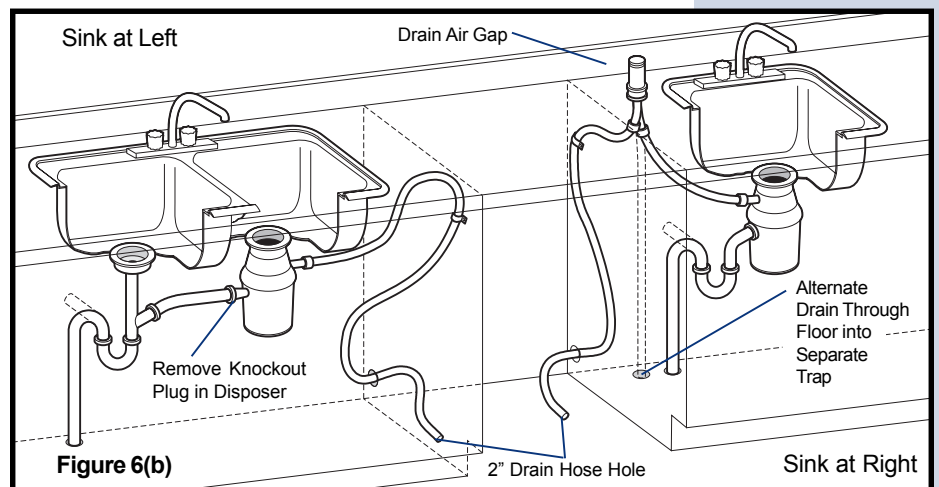


8 If you connect to a disposer, the large end of drain hose will fit. **Figure 6(a)**. The knock out plug must be removed from inside disposer inlet before making the final fit to the drain hose. See **Figure 6(b)**.



9 Before cutting the drain hose access, check both sides of the selected area to avoid interference. Cut a 2" diameter hole in shaded area shown in **Figure 1**, page 8.

10 If the cabinet wall is wood, sand edges of hole until smooth and rounded. If cabinet wall is metal, cover all sharp edges with electrical or duct tape to avoid cutting drain hose.



# 14 Installing the Dishwasher

## REMOVING THE PACKAGING

- 1 Cut the shipping carton and use it as a pad beneath the dishwasher. This will protect the finished floor in the kitchen.
- 2 Remove wrapping and uncoil the drain hose in the back of the dishwasher. Do not remove the rear insulation blanket.
- 3 Lay the dishwasher on its back. Do not kink or crush the drain hose.

## INSTALLING THE LEVELING LEGS

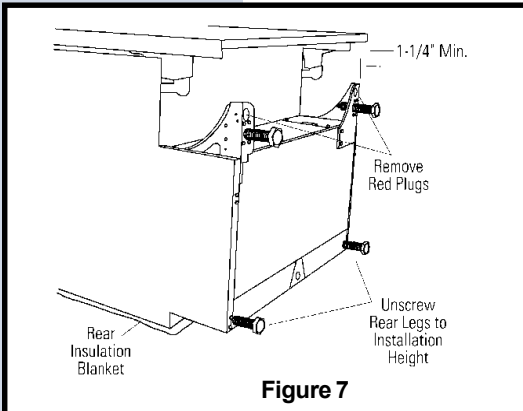


Figure 7

- 1 Measure the installation opening from the floor to the bottom of the countertop.
- 2 Install the leveling legs into the holes below the red plugs. Use the spanner wrench to screw the legs in until the overall height of the dishwasher is 1/4" less than the installation opening height. **See Figure 7.**
- 3 Remove the red shipping plugs.

### NOTE

Install the legs as shown a minimum of 1-1/4" from the bottom of the brackets.

Failure to install the legs correctly may result in damage to the door when opened.

## REMOVING THE FOAM MOTOR SUPPORT

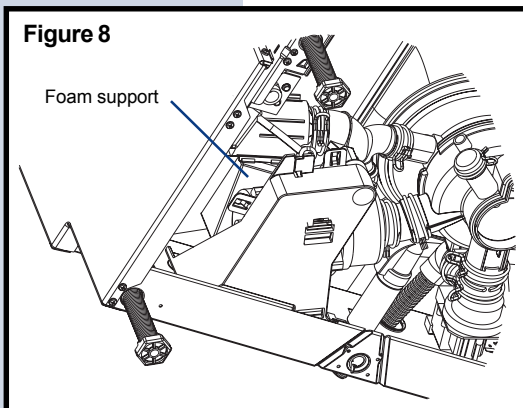
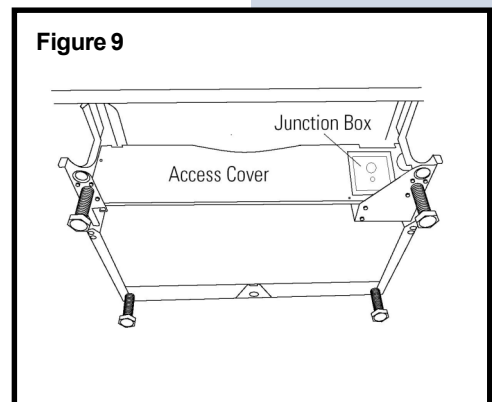


Figure 8

- 1 Locate the wedge of polystyrene (foam) from between the motor and the liner. **See Figure 8.**
- 2 Use two hands to rotate and slide the foam down and to the left to remove it.
- 3 Discard the foam.

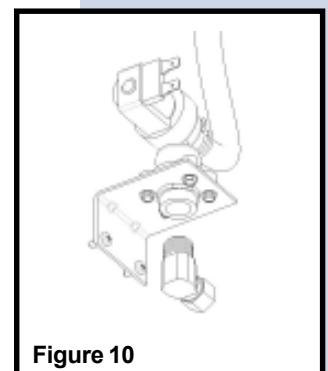
## REMOVING THE ACCESS COVER

- 1 Remove the four (4) screws at the front of the access cover. **See Figure 9.**
- 2 Tilt access cover and pull forward to remove.
- 3 Pull house wiring into junction box. Use a UL listed strain-relief bushing at the junction box to stabilize wiring.



## INSTALLING THE ELBOW

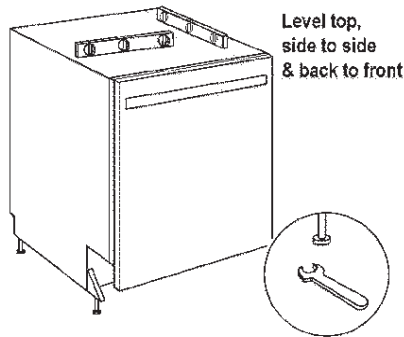
- 1 Locate the water inlet valve. The valve has a 3/8" NPT female fitting. **See Figure 10.**
- 2 Wrap 90° elbow with thread seal tape (or apply joint compound) and thread it into the water inlet valve. Wrap tape in the same direction as the elbow threads.
- 3 Tighten elbow with a wrench, leaving elbow pointing in the direction of the inlet water line. *To prevent bending of bracket or breaking of valve, avoid over tightening.*



# 16 Installing the Dishwasher

## LEVELING THE DISHWASHER

Figure 11



- 1 Measure height of cabinet opening from underside of countertop to floor.
- 2 Move dishwasher to front of installation area.
- 3 Adjust leveling legs and make sure the dishwasher height fits into the enclosure with 1/4" clearance at the top.
- 4 Check that dishwasher is level from side to side by placing a level against the top front section of the tub. **See Figure 11.**
- 5 Check that the dishwasher is level from front to back by placing a level on the inner panel with the door open.
- 6 Adjust levelers up or down until dishwasher is level.

### NOTE

Before continuing the installation, make sure you have an adequate surface to mount beneath or on the sides of the countertop and cabinets. Additional support may be required. See *Securing to Cabinet and Countertop*, page 20.

### CAUTION

Do not push against the front panel with knees while positioning dishwasher. Failure to follow this warning could result in damage to the dishwasher. Property damage resulted from actions described will void the warranty.

## POSITIONING THE DISHWASHER FOR INSTALLATION

- 1 Insert drain hose into the cabinet wall hole.
- 2 Position the water supply line and house wiring on the floor of the opening to avoid interference with the base and legs of the dishwasher.
- 3 Slide the dishwasher into the opening a few inches at a time. As you proceed, pull the drain hose through the cabinet wall under the sink.
- 4 Check to be sure there is no interference with the house wiring or the water line.
- 5 Make sure the dishwasher is level.



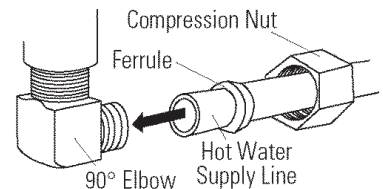
## FINISHING THE WATER CONNECTION

### NOTE

If you are using an existing water line, cut 1" off the end.  
Always use a new ferrule and compression nut.

- 1 Flush the water supply line to clear any foreign material before connecting to the dishwasher.
- 2 Make sure that there are no sharp bends or kinks to restrict the water flow.
- 3 Insert the water line into the 90° elbow. **See Figure 12.**
- 4 Slide the ferrule against the elbow and secure with the compression nut.
- 5 Turn the water on to check for leaks.
- 6 Feed the dishwasher cable through the small hole in the junction box.
- 7 Replace the access cover.

Figure 12



## FINISHING THE DRAIN CONNECTION

### NOTE

Follow all local codes and ordinances.

The dishwasher is supplied with a 72" long drain hose.

- 1 If a longer drain hose is required, add up to 48" of length for a total of 10 feet. The hose must not restrict the flow from the drain of the dishwasher to the house's drain system. The type of hose used should be consistent with the type and diameter installed on the dishwasher.
- 2 Secure the drain hose to the air gap, waste tee or disposer with clamps.
- 3 Make sure the drain hose is not kinked.

### NOTE

When connecting the drain line to the disposer, check to be sure that the knockout plug has been removed. **DISHWASHER WILL NOT DRAIN IF THE PLUG IS LEFT IN PLACE.**

# 18 Finishing the Connections

## FINISHING THE ELECTRICAL CONNECTION



### WARNING

**Electric Shock Hazard - Make sure electrical power has been disconnected at fuse box or circuit breaker box.**

The dishwasher must be connected to a grounded metal, permanent wiring system, or an equipment-grounding conductor must be run with circuit conductors and connected to the equipment-grounding terminal or lead on the dishwasher. It is the consumer's responsibility to contact a qualified installer to make sure the electrical installation conforms with the National Electrical Code and local codes and ordinances.

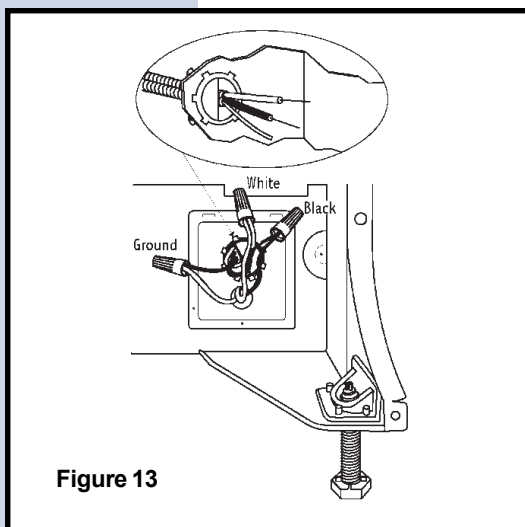
Do not connect the dishwasher to the power supply until the appliance is permanently grounded.

All wiring connections must be enclosed in the junction box. This unit has copper lead wires.

Joining aluminum building wire to stranded copper wire should be done by a qualified electrician using materials recognized by UL and local codes.

Do not use an extension cord. Such use can result in fire, electrical shock, or other personal injury.

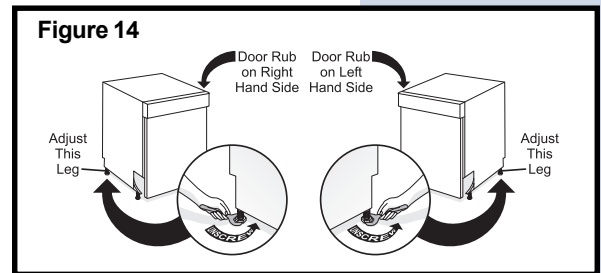
Failure to follow these instructions could result in death or serious injury. Property damage resulted from actions described will void the warranty.



- 1 Verify that the power is turned off at the source.
- 2 Strip the necessary insulation off the wires in order to make a good connection.
- 3 Fit the strain relief onto the outer sheath of the wire.
- 4 Fit the strain relief into the junction box hole and tighten. **See Figure 13.**
- 5 Locate the white, black and green dishwasher wires with stripped ends. Use wire connectors to connect incoming ground to green, white to white and black to black.
- 6 Install the junction box cover with screw provided. Check to be sure that the wires are not pinched under the cover.

## POSITIONING THE DISHWASHER IN CABINET

- 1 Verify that the dishwasher is adjusted to the correct height and is centered in the enclosure. *See Leveling the Dishwasher, page 16.*
- 2 Open and close the door to insure proper operation. If there is any binding or rubbing, adjust the leveling legs.
- 3 If the door rubs on the right side of the cabinet, extend the left rear leg by unscrewing it 1/4 of a turn. **See Figure 14.**
- 4 If the door rubs on the left side of the cabinet, extend the right rear leg by unscrewing it 1/4 turn. **See Figure 14.**
- 5 Check again to see if the dishwasher is level. Repeat procedure if necessary.



## CHECKING THE INSTALLATION

- 1 Check to be sure that the power is OFF.
- 2 Open the door and remove all packaging.
- 3 Pull the lower rack out half way. Check to be sure it does not move backward or forward onto the door. If the rack moves, adjust the legs.
- 4 Verify that the water line and the drain hose are not kinked and are connected properly.
- 5 Turn on water supply.
- 6 Check connections for leaks.
- 7 Turn on power supply.

Operate the machine through at least one fill and pump out and check the following items:

- 1 Make sure the water completely covers the filter.
- 2 Make sure all water is pumped out during the pump phase of the cycle.
- 3 Check connections for leaks.

# 20 Securing the Dishwasher

## SECURING TO CABINET AND COUNTERTOP

To maintain position and alignment, it is recommended to secure the dishwasher to the countertop and adjacent cabinets.

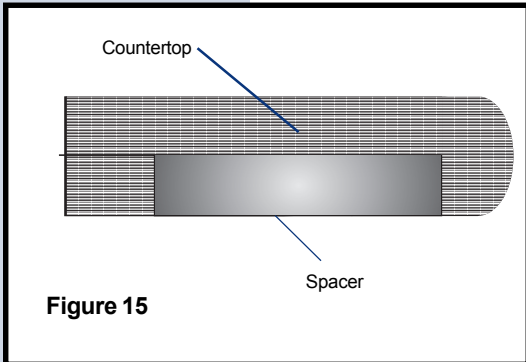


Figure 15

### Make sure sufficient countertop support exists:

- 1 If mounting the dishwasher to the countertop, check at a depth of 2.5" under the counter to ensure sufficient mounting support exists. If mounting support does not exist at this depth, go to step 2.
- 2 If necessary, mount a 1" x 4" x 24" wood support to the underside of the counter prior to installing the dishwasher. **See Figure 15.**

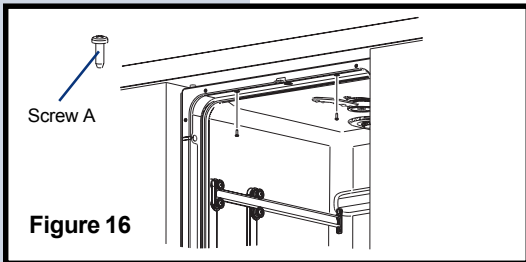


Figure 16

### To secure the dishwasher to the countertop:

- 1 Drill pilot holes into the underside of the countertop.
- 2 Secure brackets to countertop using provided screws (labeled Screw A, **Figure 16**). **See Figures 16 and 17.**

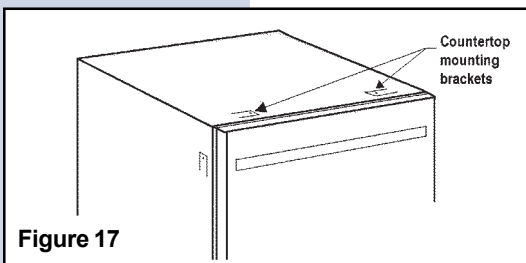


Figure 17

### To secure the dishwasher when countertops are granite:

- 1 Remove the (2) plastic plugs on each side of the inside of the dishwasher frame.
- 2 Drill pilot holes into the adjacent cabinets.
- 3 Secure brackets to cabinets using provided screws (labeled Screw A, **Figure 18**). **See Figure 18.**
- 4 Replace plastic plugs.

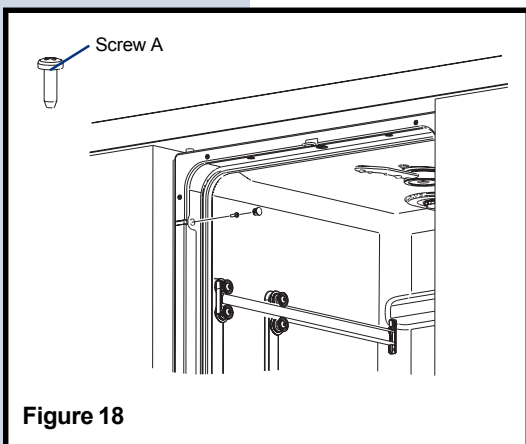
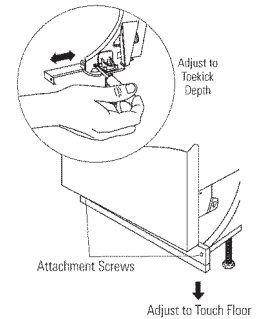


Figure 18

## INSTALLING THE TOEKICK

- 1 Loosen depth adjustment screws.
- 2 Slide bracket out to proper depth and tighten screws.  
**See Figure 19.**
- 3 Attach supplied toekick to brackets with provided color matched screws.
- 4 Tighten screws.

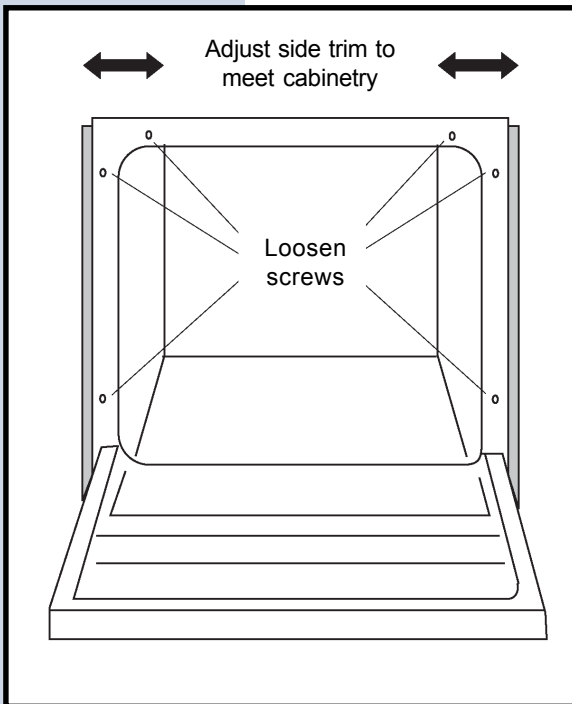
Figure 19



# 22 Adjusting Trim Plates

## ADJUSTING STAINLESS STEEL TRIM PLATES

Your Electrolux dishwasher has been equipped with adjustable stainless steel side trim plates. Each side can be adjusted independently to create a clean, integrated look with your cabinets.



### To adjust side trim strips:

- 1 Fully open the door.
- 2 Loosen, but do not remove, the screws holding the top and side trim plates.
- 3 Adjust stainless steel side trim plates to cover the opening gap.
- 4 Tighten the screws.

## LEA ESTAS INSTRUCCIONES

### NOTA

**Instalador:** Deje estas instrucciones con el propietario.

**Propietario:** Lea la **Guía de Uso y Cuidado** de su lavavajillas. Contiene información importante sobre seguridad para usar este electrodoméstico. Además tiene muchas sugerencias para lograr los mejores resultados de su lavavajillas.

Lea todas las instrucciones antes de instalar el lavavajillas.

Para su seguridad, por favor lea y observe todas las instrucciones de seguridad. Esta guía le ayudará a realizar la conexión de la electricidad, del agua y del desagüe y a la vez a seleccionar la mejor ubicación para su lavavajillas.

### ADVERTENCIA

**Peligro de Vuelco:** No use el lavavajillas hasta que no esté completamente instalado.

No empuje hacia abajo la puerta abierta.

El incumplimiento de esta advertencia puede causar una lesión grave y anular su garantía.

## ¿PREGUNTAS?

Llame al 1-877-4Electrolux (Estados Unidos y Canadá)

## INTERNET

Para soporte e información en línea sobre el producto, en EE.UU. visite [www.electroluxusa.com](http://www.electroluxusa.com). En Canadá, visite [www.electroluxca.com](http://www.electroluxca.com).

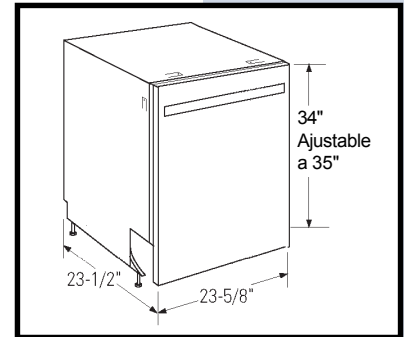
## TABLA DE MATERIAS

<b>Información</b> .....	<b>24</b>	<b>Terminación de las Conexiones</b> .....	<b>37</b>
¿Preguntas? .....	23	Terminación de la Conexión del Agua .....	37
Internet .....	23	Terminación de la Conexión del Desagüe .....	37
<b>Preparación para la Instalación</b> .....	<b>25</b>	Terminación de la Conexión Eléctrica .....	38
Dimensiones .....	25	<b>Terminación de la Instalación</b> .....	<b>39</b>
Materiales No Incluidos pero Necesarios para		Colocación del Lavavajillas en el Armario .....	39
Todas las Instalaciones .....	25	Verificación de la Instalación .....	39
Materiales No Incluidos pero Necesarios para las		<b>Sujeción del Lavavajillas</b> .....	<b>40</b>
Instalaciones Nuevas .....	25	Sujeción al Armario .....	40
Herramientas No Incluidas pero Necesarias para		Sujeción a la Mesada .....	40
Todas las Instalaciones .....	26	<b>Terminación de la Instalación</b> .....	<b>41</b>
Herramientas No Incluidas pero Necesarias para		Instalación de la Placa Inferior .....	41
las Instalaciones Nuevas .....	26	<b>Ajuste de las placas de guarnición</b> .....	<b>42</b>
Piezas Suministradas .....	26	Ajuste de las placas de guarnición de	
Sugerencias para la Instalación .....	27	acero inoxidable .....	42
Comienzo .....	28	<b>Version in English</b> .....	<b>3</b>
<b>Haciendo las Conexiones</b> .....	<b>30</b>	<b>Version en français</b> .....	<b>43</b>
Ubicación de las Conexiones .....	30		
Conexión Eléctrica .....	31		
Conexión del Agua .....	31		
Conexión del Desagüe .....	32		
<b>Instalación del Lavavajillas</b> .....	<b>34</b>		
Desempaque .....	34		
Instalación de los Tornillos Niveladores .....	34		
Retire el Soporte de Espuma del Motor .....	34		
Retire la Cubierta de Acceso .....	35		
Instalación del Codo .....	35		
Nivelación del Lavavajillas .....	36		
Ubicación del Lavavajillas para su Instalación .	36		



## DIMENSIONES

Asegúrese de que el área seleccionada para la instalación cumple los requerimientos de dimensión del producto.



## MATERIALES NO INCLUIDOS PERO NECESARIOS PARA TODAS LAS INSTALACIONES

- Codo de 90° (rosca externa de 3/8" NPT en un extremo, el extremo opuesto dimensionado para adaptarse al suministro de agua)
- Sujetacable para la conexión eléctrica
- Cinta obturadora de roscas, cinta obturadora de tuberías o compuesto para juntas
- Conectores de alambres aprobados por el UL (3)
- Abrazaderas de tipo tornillo para mangueras

### NOTA

No use piezas antiguas.

## MATERIALES NO INCLUIDOS PERO NECESARIOS PARA LAS INSTALACIONES NUEVAS

- Válvula rompevacío para la manguera de desagüe (si lo exigen los códigos locales)
- Bifurcación de 45° (Ver Figura 4, página 32) para la plomería del hogar, si corresponde
- Tubería de entrada de agua de cobre de por lo menos 3/8" o de plástico de por lo menos 1/2" (el plástico debe ser probado para resistencia a temperaturas y presión altas)
- Cable o cordón eléctrico
- Válvula de cierre manual (recomendada)

# 26 Preparación para la Instalación

---

## HERRAMIENTAS NO INCLUIDAS PERO NECESARIAS PARA TODAS LAS INSTALACIONES

---

- Destornilladores de punta Phillips y de punta plana
- Llaves para tuercas de 3/8", 5/16" y 1/4"
- Nivel
- Escuadra de carpintero
- Cinta de medir
- Lentes protectores
- Linterna
- Balde para recibir el agua cuando se lave la tubería
- Cortador de tubos
- Guantes
- Desforradores de alambre
- Cinta eléctrica
- Cinta gris para tubos

## HERRAMIENTAS NO INCLUIDAS PERO NECESARIAS PARA LAS INSTALACIONES NUEVAS

---

- Taladro y brocas correspondientes
- Sierra para hacer agujeros

## PIEZAS SUMINISTRADAS

---

Retire la bolsa de accesorios de ferretería y otras piezas del interior del lavavajillas. Las piezas suministradas son:

- Cubierta de la caja de empalme y tornillo de la cubierta
  - Placa inferior de 2 piezas con aislamiento acústico
  - Tornillos para el montaje en la mesada
  - Tornillos para el montaje en el armario
  - Tornillos de color para la placa inferior
  - Tornillos niveladores (2)
  - Llave inglesa para los tornillos niveladores
-

## SUGERENCIAS PARA LA INSTALACION

Por favor lea todas las instrucciones de seguridad antes de instalar su nuevo lavavajillas Electrolux.

### **ADVERTENCIA**

**Peligro de Choque Eléctrico - Desconecte la energía eléctrica en la caja de fusibles o en la caja del disyuntor antes de comenzar la instalación. El incumplimiento de esta advertencia puede causar una lesión grave o mortal.**

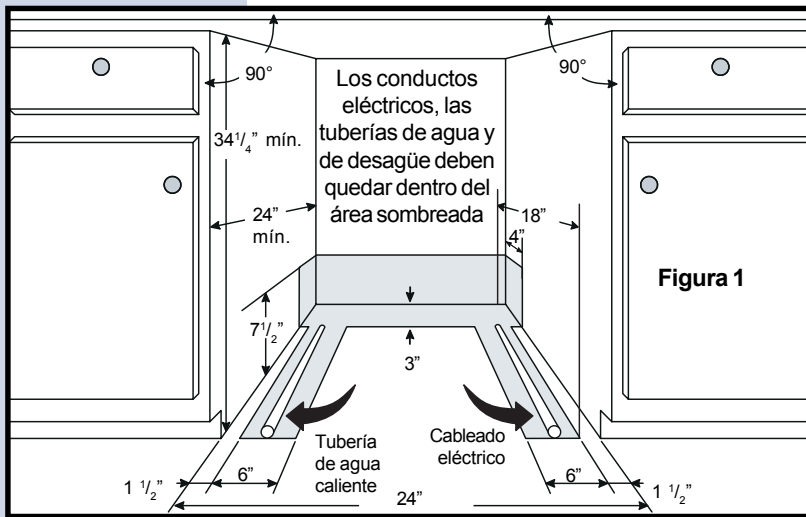
- Examine el lavavajillas y ubique las conexiones. *Ver Ubicación de las Conexiones, página 30.*
- Coloque el lavavajillas donde haya fácil acceso a los conductos eléctricos y a las tuberías de agua y de desagüe. La mejor ubicación es a cualquier lado del fregadero de la cocina para tener acceso a la plomería existente y facilitar la carga de los platos. *Ver Haciendo las Conexiones, páginas 30-33.*
- Las conexiones eléctricas, de agua y de desagüe no son las mismas para todos los modelos, marcas o edad del lavavajillas. Verifique la ubicación y el largo de los accesos a los servicios de agua, luz y desagüe del hogar. *Ver Haciendo las Conexiones, páginas 30-33.*
- Se requiere un suministro eléctrico puesto a tierra de 120 voltios AC solamente, 15-20 amperes. *Ver Haciendo las Conexiones, páginas 30-33.*
- Si la manguera de desagüe del lavavajillas será conectada a un triturador de desperdicios nuevo, retire el tapón removible que cubre la entrada del triturador. *Ver Haciendo las Conexiones, páginas 33.*
- Las mangueras de desagüe y de agua torcidas pueden causar problemas. *Ver Terminación de las Conexiones, página 37.*
- Los lavavajillas necesitan ser conectados a un suministro de agua caliente cuya presión sea la suficiente para asegurar un llenado adecuado. *Ver Conexión del Agua, página 31.*
- Todas las instalaciones en el hogar son diferentes. Usted necesitará piezas adicionales indicadas anteriormente para completar la instalación. *Ver Materiales No Incluidos pero Necesarios para las Instalaciones Nuevas, página 25.*
- Limpie la tubería de agua antes de hacer la conexión final para evitar la obturación de la malla filtrante de la válvula de admisión. *Ver Terminación de la Conexión del Agua, página 37.*
- El lavavajillas se verá mejor, será más eficaz y los sonidos serán menos audibles cuando el electrodoméstico esté debidamente nivelado. *Ver Nivelación del Lavavajillas, página 36.*
- Asegure el lavavajillas a la mesada y a los armarios adyacentes. *Ver Sujeción del Lavavajillas, página 40.*

# 28 Preparación para la Instalación

## COMIENZO

### ADVERTENCIA

**Peligro de Choque Eléctrico** - Observe todos los códigos y reglamentos locales para las conexiones eléctricas y de plomería. Todo el trabajo eléctrico y de plomería debe ser realizado por personas calificadas. El incumplimiento de esta advertencia puede causar una lesión grave o mortal.



- 1 Asegúrese de que el lugar seleccionado tiene las salidas correctas de desagüe, agua y electricidad para hacer las conexiones. No instale el lavavajillas debajo de una cubierta de estufa ya que se puede producir daño.

### ADVERTENCIA

**Peligro de Choque Eléctrico** - Los conductos eléctricos y tuberías de agua y de desagüe deben quedar dentro de las áreas sombreadas de la Figura 1.

Los conductores eléctricos, las tuberías de agua y de desagüe se pueden dañar.

El incumplimiento de estas instrucciones puede causar un incendio o choque eléctrico.

### NOTA

Para un buen funcionamiento y aspecto del lavavajillas, la abertura entre los armarios debe tener las dimensiones que se muestran en la Figura 1. Si el lavavajillas va a ser instalado en una esquina, debe haber por lo menos 2 pulgadas entre la puerta abierta y la pared para poder abrir la puerta.

- 2 Retire cualquier alfombra del área para dar despeje al lavavajillas. El piso debe ser plano y no tener obstrucciones.

## **NOTA**

Las tuberías de desagüe y de agua y los conductos eléctricos deben ser instalados antes de continuar con la instalación.

## **NOTA**

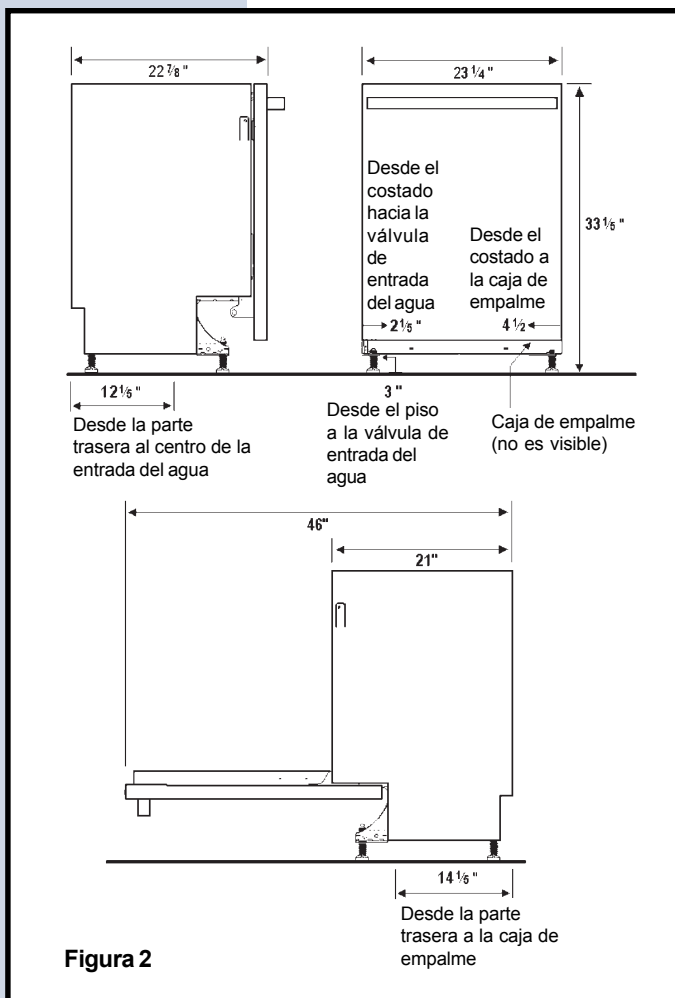
Si el lavavajillas es instalado al final de una fila de armarios, los lados del lavavajillas y la parte trasera deben quedar completamente encerrados.

# 30 Haciendo las Conexiones

## UBICACION DE LAS CONEXIONES

### NOTA

No cruce la tubería de desagüe o de agua ni los ductos eléctricos en frente del motor o del marco del lavavajillas.



- 1 Examine las dimensiones en la **Figura 2** para ubicar las conexiones del desagüe, del agua y de la electricidad del lavavajillas.
- 2 Todas las conexiones deben quedar en el área sombreada de la **Figura 1**, página 28.

### NOTA

Desconecte la electricidad en la caja del disyuntor antes de comenzar la instalación.

## CONEXION ELECTRICA

- 1 El lavavajillas funciona con un suministro eléctrico de 120 voltios, 60 Hz. Provea un circuito separado con un disyuntor o fusible de por lo menos 15 amperes (de 20 amperes si está conectado a un triturador de desperdicios), pero no mayor de 20 amperes.
- 2 Observe la ubicación del suministro eléctrico y de la caja de empalme eléctrico del lavavajillas en el lado inferior derecho del lavavajillas.  
*Ver Figura 2, página 30.*
- 3 Corte el agujero de acceso en el área sombreada que se muestra en la **Figura 1**, página 28.
- 4 Pase el cable eléctrico a través del agujero hacia el área de instalación.

## CONEXION DEL AGUA

- 1 Determine el lugar donde se encuentra la conexión para el suministro de agua caliente. Examine la **Figura 2** en la página 30 y observe la ubicación de la válvula de entrada de agua.

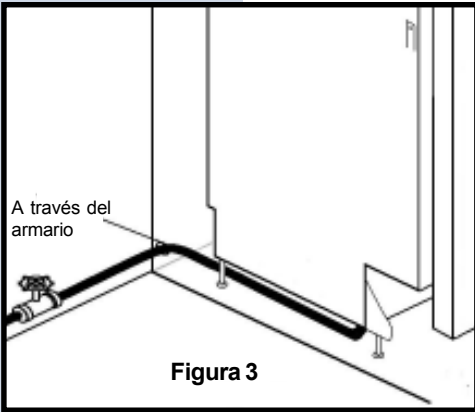
### ATENCION

**Daños Materiales - No use la manguera de desagüe suministrada ni mangueras de goma de jardín para la tubería de suministro de agua. Cualquiera de estas mangueras puede romperse. Se puede producir una inundación y causar daños materiales. Los daños materiales resultantes de las acciones anteriormente descritas anulará la garantía.**

**Se debe usar una tubería trenzada antigua o nueva, de cobre o de acero inoxidable para conectar el lavavajillas a la tubería de suministro de agua.**

- 2 Asegúrese de que la entrada de agua esté protegida contra congelación. Si la válvula se congela y se rompe se puede producir una inundación.
- 3 Determine la cantidad de tubería necesaria para conectar el suministro del agua caliente a la válvula de entrada de agua del lavavajillas. La tubería de cobre debe tener un diámetro exterior mínimo de 3/8". Se puede usar una tubería de plástico para alta presión y altas temperaturas con un diámetro mínimo de 1/4". Se recomienda instalar una válvula de cierre fuera del gabinete del lavavajillas. *Ver Figura 3, página 32.*

# 32 Haciendo las Conexiones



- 4 Corte el agujero de acceso de agua en el armario como se muestra en la **Figura 3**.
- 5 Dirija la tubería de suministro de agua hacia el área de instalación.

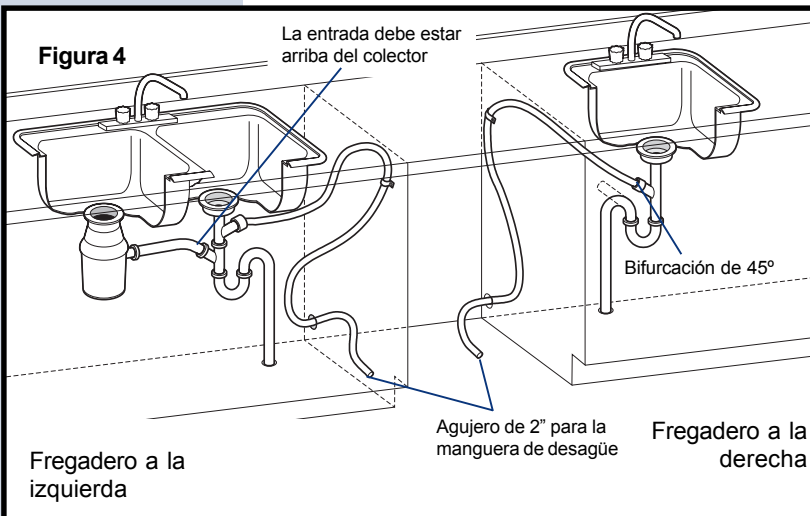
## NOTA

La temperatura del agua caliente de entrada, ajustada en el calentador de agua caliente, debe ser de 120°F (49°C). La presión del agua debe ser de 20-120 lbs./pulg.<sup>2</sup>.

## CONEXION DEL DESAGÜE

### ⚠ ATENCION

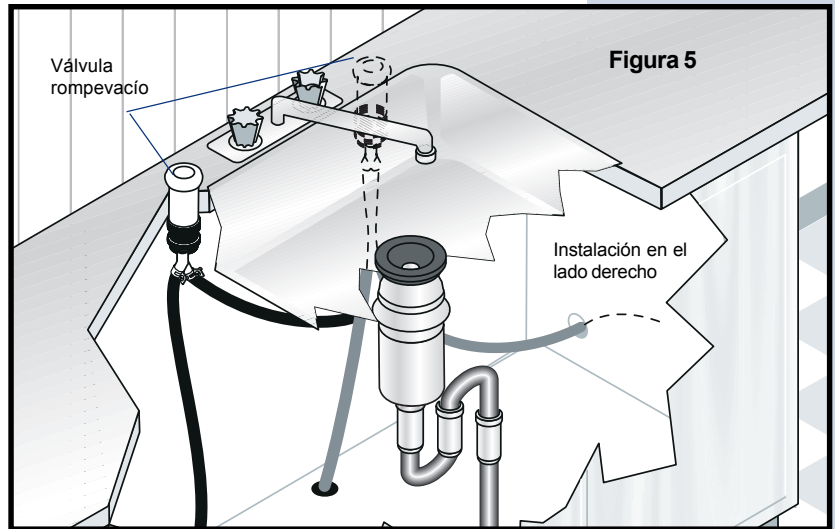
Para evitar sifonaje, **SE DEBE USAR** una válvula rompevacío cuando la unión en T o la conexión del triturador esté a menos de 18" del piso. Si no se instala la conexión de desagüe apropiada usando una válvula rompevacío o un bucle de desagüe de por lo menos 30" de altura el desagüe será deficiente y se pueden causar daños materiales o la pérdida de eficacia del lavado.



- 1 Siga los códigos y reglamentos locales.
- 2 Examine la **Figura 4** en la página 32 y la **Figura 5** en la página 33 para ver las diferentes maneras de conectar el lavavajillas al sistema de desagüe. Seleccione el método que más se adapte a sus necesidades.
- 3 **Si hace la conexión a un desagüe del fregadero**, la entrada debe estar arriba del colector. Este método se puede facilitar usando un juego de bifurcación de 45° y un conector, no incluidos con el lavavajillas. El juego incluye todos los accesorios necesarios y las instrucciones. **Ver Figura 5, página 33.**



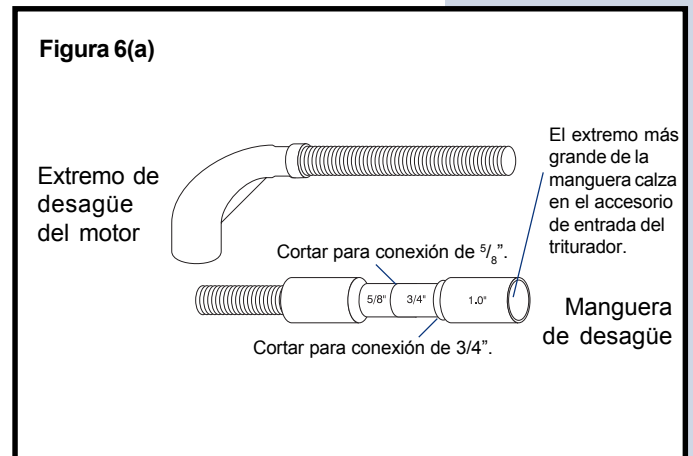
**7 Si hace la conexión a un colector del fregadero, los códigos locales pueden exigir que instale una válvula rompevacío, no incluida con el lavavajillas. La manguera de desagüe será guiada desde el lavavajillas a la entrada de una válvula rompevacío como se muestra en la **Figura 5**. Puede adquirir un juego de válvula rompevacío en una ferretería.**



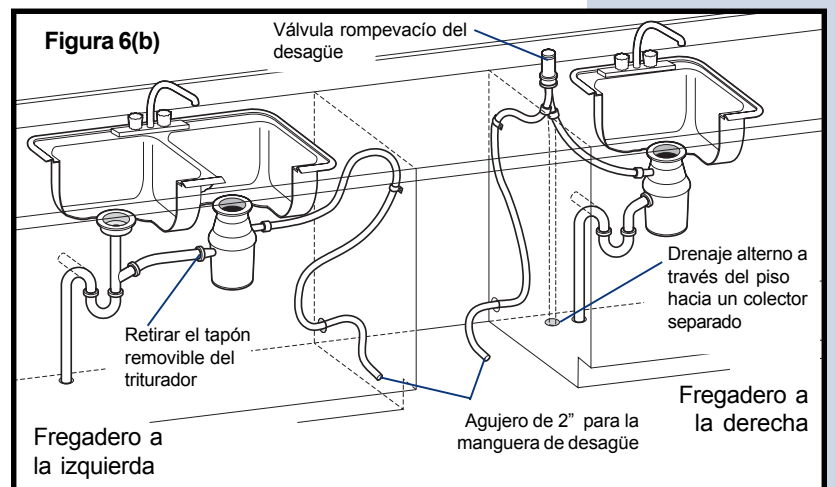
**8 Si conecta el desagüe a un triturador, el extremo grande de la manguera de desagüe calzará.**

**Figura 6(a). El tapón removible debe ser retirado del interior de la entrada del triturador antes de hacer la instalación final de la manguera de desagüe. Ver Figura 6(b).**

**9 Antes de cortar** el acceso para la manguera de desagüe, verifique ambos lados del área seleccionada para evitar interferencia. Corte un agujero de 2" de diámetro en el área sombreada mostrada en la **Figura 1**, página 28.



**10 Si la pared del armario es de madera, lije los bordes del agujero hasta que queden suaves y redondeados. Si la pared del armario es de metal, cubra los bordes afilados con cinta eléctrica o cinta gris de tubo para evitar cortar la manguera de desagüe.**

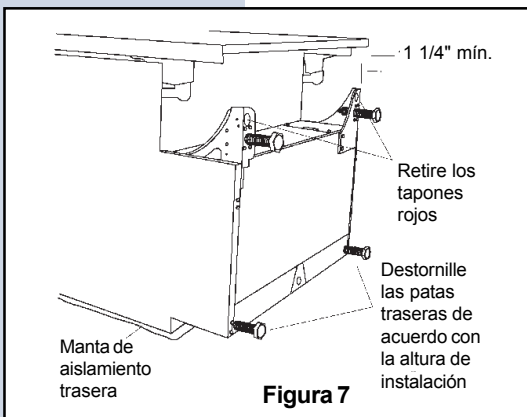


# 34 Instalación del Lavavajillas

## DESEMPAQUE

- 1 Corte la caja de cartón de empaque y úsela como un protector debajo del lavavajillas. Esto protegerá el acabado del piso de la cocina.
- 2 Retire la envoltura y desenrolle la manguera de desagüe situada en la parte trasera del lavavajillas. No retire la manta de aislamiento trasero.
- 3 Coloque el lavavajillas sobre la parte trasera. No tuerza ni aplaste la manguera de desagüe.

## INSTALACION DE LOS TORNILLOS NIVELADORES



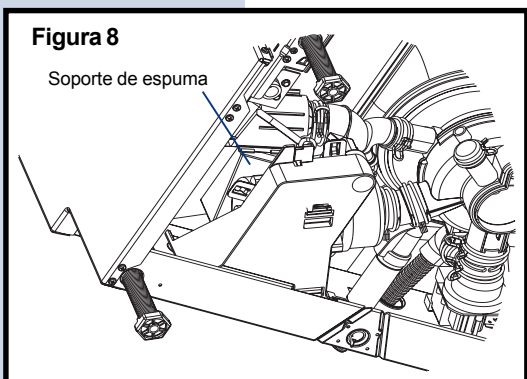
- 1 Mida la abertura de instalación desde el piso hasta la parte inferior de la mesada.
- 2 Instale los tornillos niveladores en los agujeros situados bajo los tapones rojos. Use la llave inglesa para atornillarlos en el lavavajillas hasta que la altura total del lavavajillas sea 1/4" menos que la altura de la abertura de instalación. **Ver Figura 7.**
- 3 Retire los tapones de empaque rojos.

### NOTA

Instale las patas a por lo menos 1-1/4" de la parte inferior de los soportes como se muestra en la figura.

Si las patas no se instalan correctamente se puede dañar la puerta al abrirla.

## RETIRE EL SOPORTE DE ESPUMA DEL MOTOR

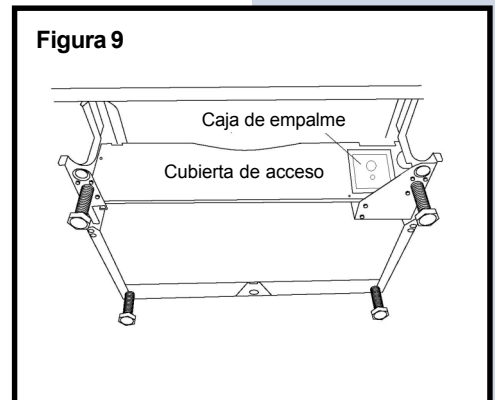


- 1 Ubique la cuña de espuma de poliestireno situada entre el motor y el revestimiento. **Ver Figura 8.**
- 2 Use ambas manos para girar y deslizar la espuma hacia abajo y a la izquierda para sacarla.
- 3 Descarte la espuma.

## RETIRE LA CUBIERTA DE ACCESO

- 1 Retire los cuatro (4) tornillos situados en la parte delantera de la cubierta de acceso. **Ver Figura 9.**
- 2 Incline la cubierta de acceso y tire de ella hacia adelante para sacarla.
- 3 Pase el alambrado del hogar hacia la caja de empalme. Use un sujetacable aprobado por UL en la caja de empalme para estabilizar el alambrado.

Figura 9



## INSTALACION DEL CODO

- 1 Ubique la válvula de admisión de agua. La válvula tiene un accesorio hembra de 3/8"NPT. **Ver Figura 10.**
- 2 Envuelva el codo de 90° con cinta para sellar roscas (o aplique compuesto obturador de juntas) y atorníllelo en la válvula de entrada de agua. Enrolle la cinta en la misma dirección en que se atornilla el codo.
- 3 Apriete el codo con una llave, dejándolo dirigido hacia la tubería de agua de entrada. *Para evitar que el soporte se doble o se rompa la válvula, evite apretar demasiado.*

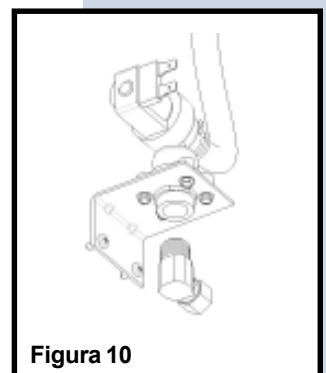
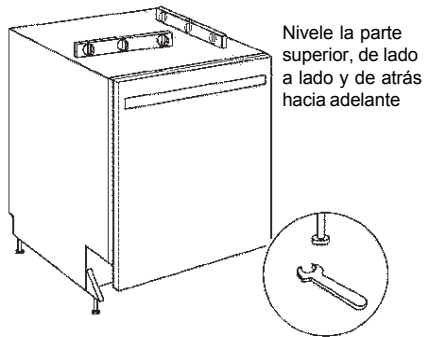


Figura 10

# 36 Instalación del Lavavajillas

## NIVELACION DEL LAVAVAJILLAS

Figura 11



- 1 Mida la altura de la cavidad del armario desde el lado inferior de la mesada hasta el piso.
- 2 Mueva el lavavajillas a la parte delantera del área de instalación.
- 3 Ajuste los tornillos niveladores y asegúrese de que la altura del lavavajillas calza en la cavidad dejando un espacio de 1/4" en la parte superior.
- 4 Verifique que el lavavajillas esté nivelado de lado a lado colocando un nivel contra la parte delantera superior de la tina. **Ver Figura 11.**
- 5 Verifique que el lavavajillas esté nivelado desde el frente hacia atrás colocando un nivel en el panel interior con la puerta abierta.
- 6 Ajuste los tornillos niveladores hacia arriba o hacia abajo hasta que el lavavajillas esté nivelado.

### NOTA

Antes de continuar la instalación, asegúrese de que tiene una superficie adecuada para instalar el lavavajillas debajo de la mesada o en los lados de los armarios. Puede que necesite apoyo adicional. Ver Sujeción al Armario y a la Mesada, página 40.

### ⚠ ATENCION

No empuje con las rodillas contra el panel delantero cuando esté ubicando el lavavajillas. El incumplimiento de esta advertencia puede ocasionar daños al lavavajillas. El daño material resultante de estas acciones descritas anteriormente anulará la garantía.

## UBICACION DEL LAVAVAJILLAS PARA SU INSTALACION

- 1 Inserte la manguera de desagüe en el agujero de la pared del armario.
- 2 Coloque la tubería de suministro de agua y el cableado del hogar en el piso de la cavidad para evitar interferencia con la base y las patas del lavavajillas.
- 3 Deslice el lavavajillas en la cavidad unas pocas pulgadas a la vez. A medida que procede, tire de la manguera de desagüe a través de la pared del armario debajo del fregadero.
- 4 Verifique que no haya interferencia con el alambrado del hogar o con la tubería de agua.
- 5 Asegúrese de que el lavavajillas esté nivelado.

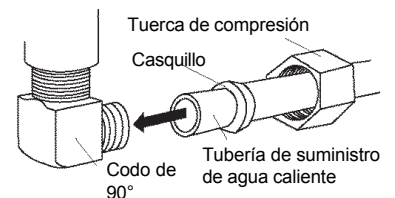
## TERMINACION DE LA CONEXION DEL AGUA

### NOTA

Si está usando una tubería de agua existente, corte 1" del extremo. Siempre use un casquillo nuevo y una tuerca de compresión.

- 1 Lave la tubería de suministro de agua para despejar cualquier materia extraña antes de conectarla al lavavajillas.
- 2 Asegúrese de que no hayan bordes afilados o torcidos que restrinjan el flujo del agua.
- 3 Inserte la tubería de agua en el codo de 90°. **Ver Figura 12.**
- 4 Deslice el casquillo contra el codo y asegúrelo con la tuerca de compresión.
- 5 Abra el agua para verificar que no haya escape.
- 6 Pase el cable del lavavajillas a través del agujero de la caja de empalme.
- 7 Vuelva a colocar la cubierta de acceso.

Figura 12



## TERMINACION DE LA CONEXION DEL DESAGÜE

### NOTA

Observe todos los códigos y reglamentos locales.

El lavavajillas se suministra con una manguera de desagüe de 72" de largo.

- 1 Si se necesita una manguera de desagüe más larga, agregue un largo de 48" para lograr un total de 10 pies. La manguera no debe restringir el flujo del desagüe del lavavajillas al sistema de desagüe del hogar. El tipo de manguera usado debe ser compatible con el tipo y diámetro instalado en el lavavajillas.
- 2 Asegure la manguera de desagüe a la válvula rompevacío, a la unión en T o al triturador usando abrazaderas.
- 3 Asegúrese de que la manguera de desagüe no esté torcida.

### NOTA

Cuando conecte la tubería de desagüe al triturador, verifique que el tapón removible haya sido retirado. **EL LAVAVAJILLAS NO DESAGUARA SI EL TAPON NO HA SIDO RETIRADO.**

# 38 Terminación de las Conexiones

## TERMINACION DE LA CONEXION ELECTRICA



### ADVERTENCIA

**Peligro de Choque Eléctrico** - Asegúrese de que el suministro eléctrico haya sido desconectado en la caja de fusibles o en el disyuntor.

El lavavajillas debe conectarse a un sistema de cableado permanente de metal puesto a tierra o se debe instalar un conductor de puesta a tierra del equipo con los conductores del circuito y conectarlo al terminal de puesta a tierra del equipo o al conductor del lavavajillas. Es la responsabilidad del consumidor ponerse en contacto con un instalador calificado para asegurarse de que la instalación eléctrica se haga de acuerdo con el Código Eléctrico Nacional y con los códigos y reglamentos locales.

No conecte el lavavajillas al suministro eléctrico hasta que el electrodoméstico no haya sido puesto a tierra en forma permanente.

Todas las conexiones del cableado deben estar dentro de la caja de empalme. Este lavavajillas tiene conductores de cobre.

La unión del cableado de aluminio del edificio al cableado de cobre trenzado debe hacerse por un electricista calificado usando materiales aprobados por el UL y los códigos locales.

No use un cordón de extensión. Esto podría resultar en un incendio, choque eléctrico u otra lesión personal.

El incumplimiento de estas instrucciones puede causar una lesión grave o mortal. Los daños materiales provenientes de las acciones anteriormente descritas anularán la garantía.

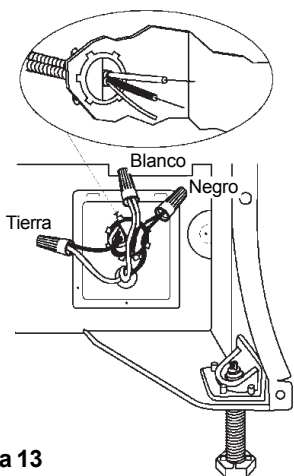
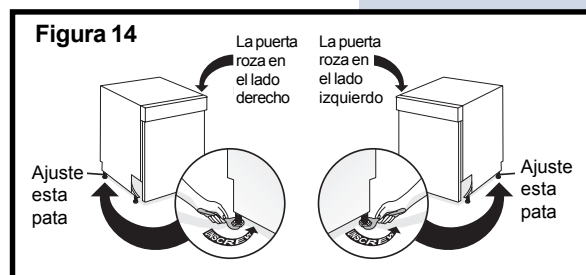


Figura 13

- 1 Verifique que la energía eléctrica esté apagada en la fuente de suministro.
- 2 Desforre el aislamiento necesario de los cables para hacer una buena conexión.
- 3 Coloque el sujetacable en la envoltura externa del cable.
- 4 Coloque el sujetacable en el agujero de la caja de empalme y apriete. **Ver Figura 13.**
- 5 Ubique los alambres blanco, negro y verde del lavavajillas con los extremos desforrados. Use conectores de alambre para conectar el conductor de entrada de puesta a tierra al verde, el blanco al blanco y el negro al negro.
- 6 Instale la cubierta de la caja de empalme con el tornillo positivo. Asegúrese de que los alambres no queden prensados debajo de la cubierta.

## COLOCACION DEL LAVAVAJILLAS EN EL ARMARIO

- 1 Verifique que el lavavajillas esté ajustado a la altura correcta y que esté en el centro de la cavidad. *Ver Nivelación del Lavavajillas, página 36.*
- 2 Abra y cierre la puerta para asegurarse de su funcionamiento correcto. Si hay atascamiento o roce, ajuste los tornillos niveladores.
- 3 Si la puerta roza en el lado derecho del armario, extienda la pata izquierda trasera destornillándola 1/4 de vuelta. **Ver Figura 14.**
- 4 Si la puerta roza en el lado izquierdo del armario, extienda la pata derecha trasera destornillándola 1/4 de vuelta. **Ver Figura 14.**
- 5 Verifique nuevamente que el lavavajillas esté nivelado. Repita el procedimiento si es necesario.



## VERIFICACION DE LA INSTALACION

- 1 Verifique que la energía eléctrica esté apagada.
- 2 Abra la puerta y retire todo el empaque.
- 3 Tire de la canastilla inferior hasta la mitad. Verifique que la misma no se mueva hacia atrás o hacia adelante hacia la puerta. Si la canastilla se mueve, ajuste los tornillos niveladores.
- 4 Verifique que la tubería de agua y la manguera de desagüe no estén torcidas y que estén conectadas en forma correcta.
- 5 Abra el suministro de agua.
- 6 Verifique las conexiones para ver si hay escapes.
- 7 Conecte la energía eléctrica.

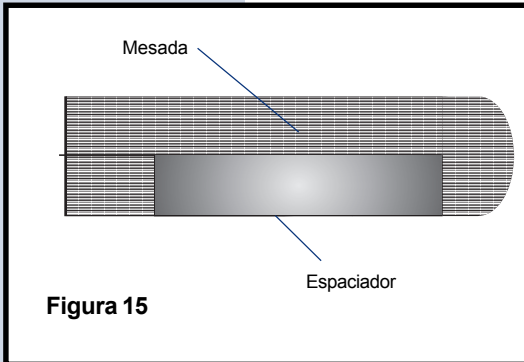
Haga funcionar la máquina a través de por lo menos un ciclo de llenado y bombeado y revise los siguientes elementos:

- 1 Asegúrese de que el agua cubra completamente el filtro.
- 2 Asegúrese de que toda el agua sea desaguada durante la fase de desagüe del ciclo.
- 3 Verifique que las conexiones no presenten escapes.

# 40 Sujeción del Lavavajillas

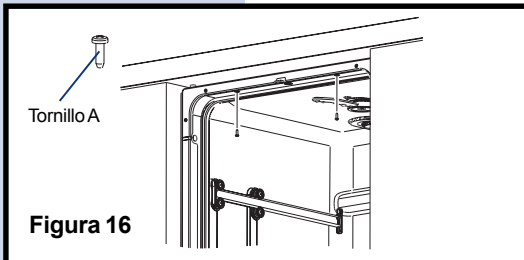
## SUJECION AL ARMARIO Y A LA MESADA

Para mantener la posición y el alineamiento del lavavajillas se recomienda asegurarlo a la mesada y a los armarios adyacentes.



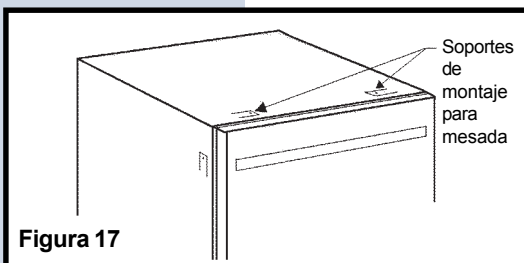
### Asegúrese de que existe suficiente apoyo en la mesada:

- 1 Si está instalando el lavavajillas debajo de la mesada, verifique si existe una profundidad de 2,5" debajo de la mesada a fin de asegurar suficiente apoyo para el montaje. Si no existe apoyo suficiente para el montaje en esa profundidad, siga con el paso 2.
- 2 Si es necesario instale un soporte de madera de 1" x 4" x 24" en el lado inferior de la mesada antes de la instalación del lavavajillas. **Ver Figura 15.**



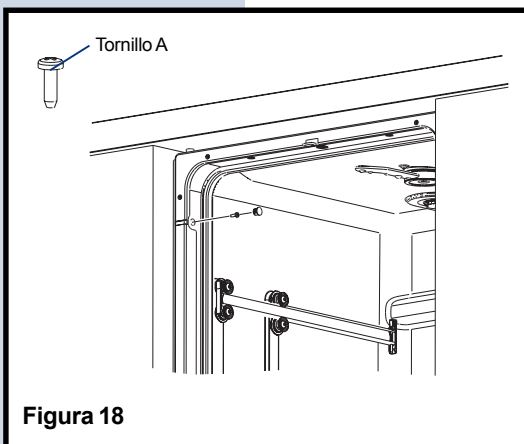
### Para asegurar el lavavajillas a la mesada:

- 1 Taladre agujeros pilotos en el lado inferior de la mesada.
- 2 Asegure los soportes en la mesada usando los tornillos provistos (etiquetados Tornillo A, **Figura 16**). **Ver Figuras 16 y 17.**



### Para asegurar el lavavajillas cuando la mesada sea de granito:

- 1 Retire los (2) tapones de plástico de cada lado situados en el interior del marco del lavavajillas.
- 2 Taladre agujeros pilotos en los armarios adyacentes.
- 3 Asegure los soportes en los armarios usando los tornillos provistos (etiquetados Tornillo A, **Figura 18**). **Ver Figura 18.**
- 4 Vuelva a colocar los tapones de plástico.

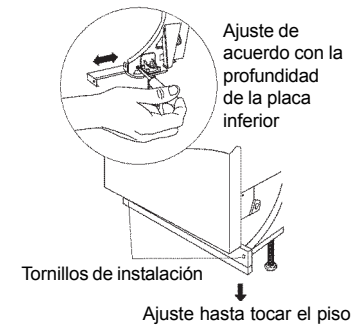




## INSTALACION DE LA PLACA INFERIOR

- 1 Afloje los tornillos de ajuste de profundidad.
- 2 Deslice el soporte hacia afuera hasta alcanzar la profundidad apropiada y apriete los tornillos. **Ver Figura 19.**
- 3 Instale la placa inferior suministrada en los soportes con los tornillos de colores correspondientes provistos.
- 4 Apriete los tornillos.

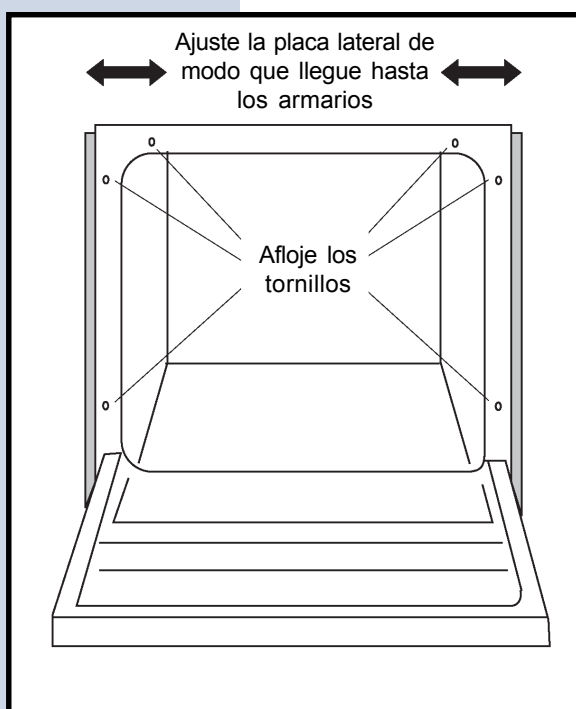
Figura 19



# 42 Ajuste de las placas de guarnición

## AJUSTE DE LAS PLACAS DE GUARNICIÓN DE ACERO INOXIDABLE

Su lavadora Electrolux está equipada con placas laterales ajustables de acero inoxidable. Cada lado puede ser ajustado independientemente para crear una apariencia integrada que armonice con sus armarios.



### Ajuste de las placas laterales:

- 1 Abra completamente la puerta.
- 2 Afloje los tornillos que sujetan la placa superior y las placas laterales sin retirarlos.
- 3 Ajuste las placas laterales de acero inoxidable de modo que cubran el espacio de la cavidad.
- 4 Apriete los tornillos.

## LIRE LES INSTRUCTIONS

### REMARQUE

**Installateur** : Laisser les instructions au propriétaire.

**Propriétaire** : Lire le **Guide d'utilisation et d'entretien** du lave-vaisselle. Il contient de l'information importante sur l'utilisation de l'appareil de manière sécuritaire. On y trouve aussi de nombreuses suggestions pour obtenir de meilleurs résultats.

Lire toutes les instructions avant d'installer le lave-vaisselle.

Pour votre sécurité, veuillez lire et observer toutes les instructions de sécurité. Le présent guide vous aidera à prévoir les branchements pour l'électricité, l'arrivée d'eau et le raccord à l'égout en plus de vous aider à choisir le meilleur emplacement pour l'appareil.

### AVERTISSEMENT

**Risque de renversement** : Ne pas utiliser l'appareil tant qu'il n'est pas entièrement installé.

Ne pas forcer la porte vers le bas.

Le non-respect de ces directives peut entraîner des blessures sérieuses et annuler la garantie.

## DES QUESTIONS ?

1-877-4Electrolux (États-Unis et Canada)

## INTERNET

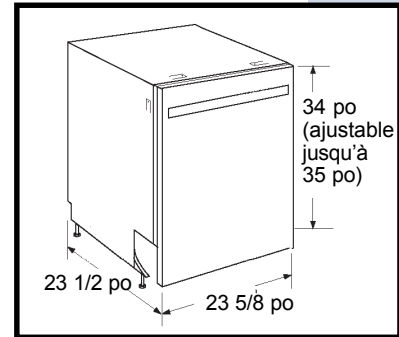
Pour un soutien en ligne et de l'information concernant l'appareil, rendez-vous sur [www.electroluxusa.com](http://www.electroluxusa.com) si vous demeurez aux États-Unis, et sur [www.electroluxca.com](http://www.electroluxca.com), si vous demeurez au Canada.

## TABLE DES MATIÈRES

<b>Pour trouver de l'information</b> .....	<b>44</b>	<b>Finition des branchements</b> .....	<b>57</b>
Des questions ? .....	43	Finition du branchement des conduites d'eau ...	57
Internet .....	43	Finition du branchement de la conduite	
<b>Préparation de l'installation</b> .....	<b>45</b>	de drainage .....	57
Dimensions .....	45	Finition des branchements électriques .....	58
Matériel non inclus mais nécessaire pour toute		<b>Finition de l'installation</b> .....	<b>59</b>
installation .....	45	Positionnement du lave-vaisselle	
Matériel non inclus mais nécessaire pour une		dans l'ouverture .....	59
nouvelle installation .....	45	Vérification de l'installation .....	59
Outils non inclus mais nécessaires pour toute		<b>Assujettissement de l'appareil</b> .....	<b>60</b>
installation .....	46	Assujettissement aux armoires et au comptoir ...	60
Outils non inclus mais nécessaires pour une		Assujettissement au comptoir .....	60
nouvelle installation .....	46	<b>Achèvement de l'installation</b> .....	<b>61</b>
Pièces fournies .....	46	Installation du coup-de-pied .....	61
Conseils .....	47	<b>Plaques d'ajustement</b> .....	<b>62</b>
Avant de commencer .....	48	Plaques d'ajustement en acier inoxydable .....	62
<b>Branchements</b> .....	<b>50</b>	<b>Version espagnole</b> .....	<b>23</b>
Localiser les branchements .....	50	<b>Version anglaise</b> .....	<b>3</b>
Exécution des branchements			
électriques .....	51		
Exécution des branchements des			
conduites d'eau .....	51		
Branchement du drain .....	52		
<b>Installation du lave-vaisselle</b> .....	<b>54</b>		
Enlèvement de l'emballage .....	54		
Installation des pattes ajustables .....	54		
Enlèvement du support moteur en mousse .....	54		
Enlèvement du couvercle d'accès .....	55		
Installation du coude .....	55		
Mise à niveau de l'appareil .....	56		
Positionnement de l'appareil pour l'installation ..	56		

## DIMENSIONS

Assurez-vous que les dimensions de l'endroit choisi pour l'installation de l'appareil conviennent à ce dernier.



## MATÉRIEL NON INCLUS MAIS NÉCESSAIRE POUR TOUTE INSTALLATION

- Coude à 90° (raccord fileté mâle NPT 3/8 po à un bout; bout opposé dimensionné selon le raccord d'arrivée d'eau)
- Collier de serrage pour accouplement électrique
- Ruban pour joints filetés, ruban d'étanchéité pour tuyaux ou pâte à joints
- Connecteurs de câbles électriques UL (3)
- Bride de serrage à vis

### REMARQUE

Ne pas utiliser de pièces ayant déjà servi.

## MATÉRIEL NON INCLUS MAIS NÉCESSAIRE POUR UNE NOUVELLE INSTALLATION

- Lame d'air pour tuyau de vidange
- Raccord en Y (*voir Figure 4, page 52*) pour tuyauterie domestique, le cas échéant
- Conduite d'arrivée d'eau en cuivre d'au moins 3/8 po ou de 1/2 po dans le cas d'un tuyau de plastique (les tuyaux de plastique doivent être testés pour la température et la pression)
- Câble électrique ou cordon d'alimentation
- Robinet d'arrêt manuel (recommandé)

# 46 Préparation de l'installation

---

## OUTILS NON INCLUS MAIS NÉCESSAIRES POUR TOUTE INSTALLATION

---

- Tournevis cruciforme et à lame plate
- Douilles 3/8 po, 5/16 po et 1/4 po
- Niveau
- Équerre de charpentier
- Ruban à mesurer
- Lunettes de sécurité
- Lampe de poche
- Récipient pour recueillir l'eau lors de la purge des tuyaux
- Coupe-tube
- Gants
- Pince à dénuder
- Ruban isolant
- Ruban pour canalisations

## OUTILS NON INCLUS MAIS NÉCESSAIRES POUR UNE NOUVELLE INSTALLATION

---

- Perceuse et forets appropriés
- Scie cylindrique

## PIÈCES FOURNIES

---

Sortir le sac d'accessoires de quincaillerie et les autres pièces de l'intérieur du lave-vaisselle. Les pièces fournies sont les suivantes :

- Couvercle de boîte de jonction et vis
  - Coup-de-pied en deux morceaux avec isolant acoustique
  - Vis de fixation au comptoir (2)
  - Vis de fixation à l'armoire (2)
  - Vis de coup-de-pied de couleur harmonisée
  - Pattes ajustables (2)
  - Clé pour pattes ajustables
-

## CONSEILS

Lire toutes les instructions de sécurité avant d'installer le lave-vaisselle Electrolux.

### **AVERTISSEMENT**

**Risque de choc électrique – Coupez l'alimentation électrique au coffret à fusibles ou fermez le coupe-circuit avant d'entreprendre l'installation. Le non-respect de cet avertissement peut entraîner de graves blessures, voire la mort.**

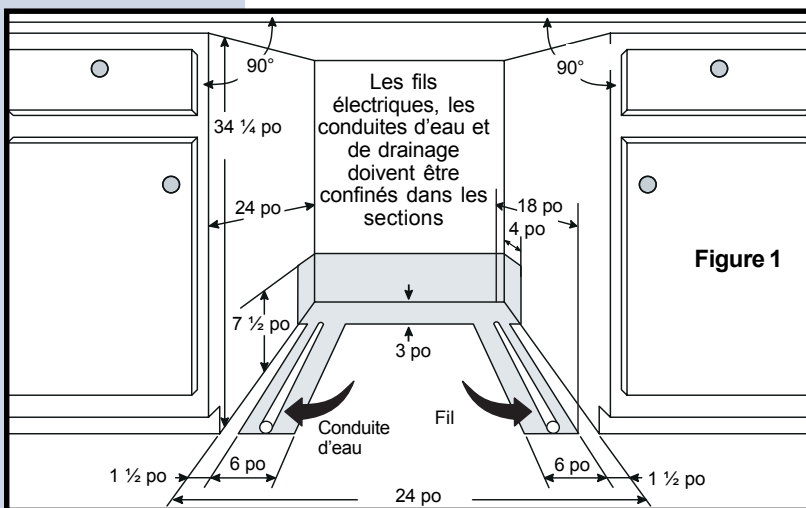
- Examinez le lave-vaisselle et localisez les branchements. *Voir Localiser les branchements, page 50.*
- Placez l'appareil de façon à avoir facilement accès à un drain, à une arrivée d'eau et à une alimentation électrique. Le meilleur endroit se trouve de chaque côté de l'évier de la cuisine ; la plomberie existante est facilement accessible et cela simplifie le chargement de l'appareil. *Voir Branchements, pages 50 à 53.*
- Les branchements des fils électriques, des conduites d'eau et de drainage diffèrent selon l'âge, la marque ou le modèle de lave-vaisselle. Vérifiez l'emplacement et la longueur des installations de la maison. *Voir Branchements, pages 50 à 53.*
- Il faut utiliser obligatoirement une prise électrique CA 15-20 A, 120 V avec mise à la terre. *Voir Branchements, aux pages 50 à 53.*
- Si le tuyau de drain est appelé à être branché à un broyeur d'aliments pour la première fois, enlever le bouchon recouvrant le broyeur. *Voir Branchements, page 53.*
- Les tuyaux pliés d'arrivée d'eau et de drainage peuvent entraîner des problèmes. *Voir Finition des branchements, page 57.*
- Le lave-vaisselle doit être branché au tuyau d'arrivée d'eau chaude avec suffisamment de pression pour remplir l'appareil. *Voir Exécution des branchements des conduites d'eau, page 51.*
- Chaque maison a son type d'installation. Vous aurez besoin des pièces supplémentaires listées ci-dessus pour effectuer l'installation. *Voir Matériel non inclus mais nécessaire pour une nouvelle installation, page 45.*
- Purgez la conduite d'eau avant de faire le branchement final pour éviter que la crépine de la valve d'admission ne s'obstrue. *Voir Finition des branchements, page 57.*
- L'appareil fonctionnera mieux, aura une meilleure sonorité et une meilleure allure s'il est au niveau. *Voir Mise à niveau de l'appareil, page 56.*
- Fixez l'appareil au comptoir et aux armoires adjacentes. *Voir Assujettissement de l'appareil, page 60.*

# 48 Préparation de l'installation

## AVANT DE COMMENCER

### AVERTISSEMENT

Risque de choc électrique – Observez tous les codes et directives locaux pour les branchements en matière d'électricité et de plomberie. Tous les travaux d'électricité et de plomberie doivent être effectués par des personnes qualifiées. Le non-respect de cet avertissement peut entraîner de graves blessures, voire la mort.



- 1 Assurez-vous que l'emplacement choisi dispose d'un drain, d'une conduite d'arrivée d'eau et d'une prise électrique pour brancher l'appareil. Ne pas installer l'appareil sous une surface de cuisson; cela risque d'endommager l'appareil.

### AVERTISSEMENT

Risque de choc électrique – Les fils électriques et les conduites d'eau et de drainage doivent être confinés dans les sections ombrées illustrées à la figure 1. Les fils électriques ainsi que les conduites d'eau et de drainage pourraient être endommagés.

Le non-respect de cet avertissement peut entraîner des chocs électriques ou déclencher un incendie.

### REMARQUE

Pour optimiser l'apparence et le fonctionnement de l'appareil, l'ouverture de l'emplacement doit avoir les dimensions illustrées à la figure 1. Si l'appareil est placé dans un coin, prévoir au moins deux pouces entre la porte ouverte et le mur pour assurer le bon fonctionnement de la porte.



- 2 Débarrassez l'emplacement de tout tapis. Le plancher doit être plat et exempt d'obstructions.

## **REMARQUE**

Les conduites de drainage, d'arrivée d'eau et les fils électriques doivent être installés temporairement avant de continuer l'installation.

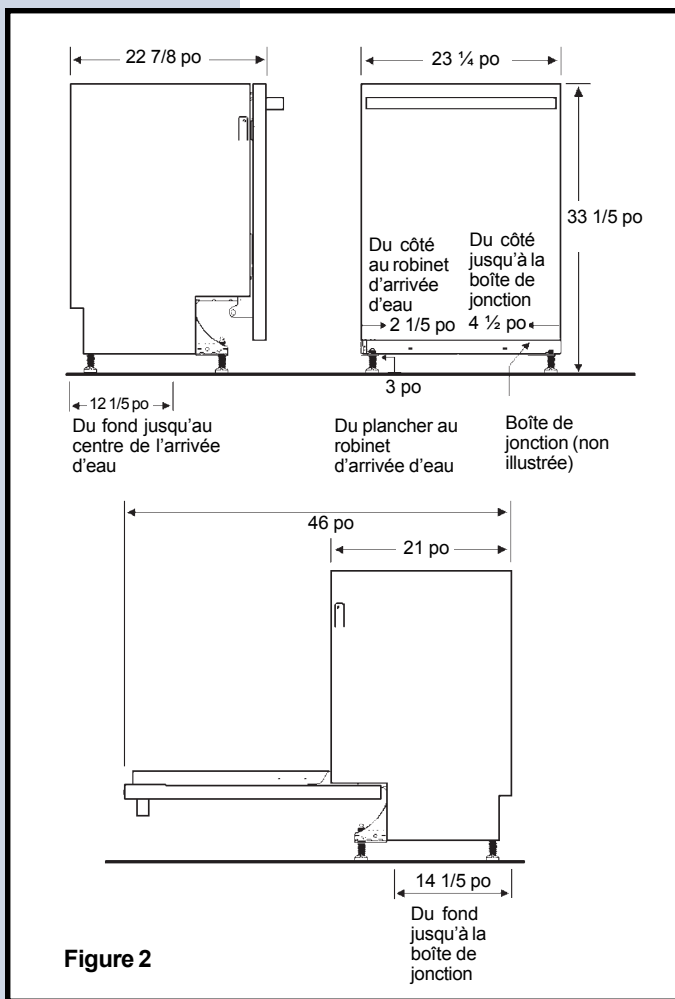
## **REMARQUE**

Si l'appareil est installé au bout d'un comptoir, les côtés et l'arrière de l'appareil doivent être complètement entourés.

## LOCALISER LES BRANCHEMENTS

### REMARQUE

Ne pas croiser les conduites de drainage, d'arrivée d'eau et les fils électriques devant le moteur ou le cadre de l'appareil.



- 1 Vérifiez les dimensions à la **Figure 2** pour localiser le drain, la conduite d'arrivée d'eau et les branchements électriques.
- 2 Effectuez tous les branchements dans les zones ombrées de la **Figure 1**, page 48.

### REMARQUE

Coupez l'alimentation électrique à la boîte de coupe-circuits avant de procéder à l'installation.

## EXÉCUTION DES BRANCHEMENTS ÉLECTRIQUES

- 1 L'appareil nécessite une alimentation électrique de 120 V, 60 Hz. Prévoir un circuit séparé doté d'un fusible ou d'un coupe-circuit d'au moins 15 A (20 A si l'appareil est branché à un broyeur); ne pas dépasser 20 A.
- 2 Notez l'emplacement de la prise de courant et de la boîte de jonction électrique de l'appareil du côté inférieur droit du lave-vaisselle. **Voir Figure 2, page 50.**
- 3 Coupez un trou d'accès dans la section ombrée de **la Figure 1, page 48.**
- 4 Introduisez le fil électrique dans le trou jusqu'à l'endroit approprié.

## EXÉCUTION DES BRANCHEMENTS DES CONDUITES D'EAU

- 1 Déterminez l'endroit où vous branchez l'arrivée d'eau chaude. Voir **Figure 2, page 50**, et notez l'emplacement du robinet d'arrivée d'eau.

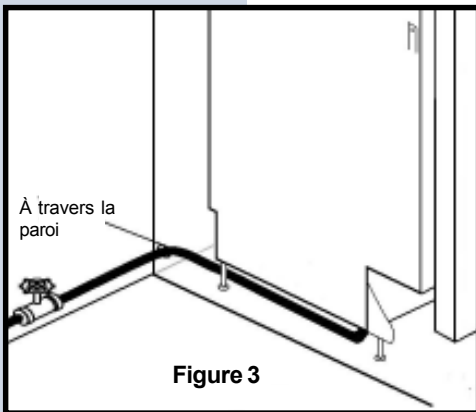
### **ATTENTION**

**Risque de dommages matériels – N'utilisez pas le tuyau de drain fourni ni un tuyau d'arrosage en caoutchouc comme conduite d'arrivée d'eau. Ces deux tuyaux risquent d'éclater, entraînant des déversements d'eau et des dommages matériels. Les dommages matériels résultant du non-respect de cette mise en garde annulent la garantie.**

**Utilisez plutôt un tuyau existant ou nouveau, en cuivre ou en acier inoxydable, tressé et conçu pour les lave-vaisselle.**

- 2 Assurez-vous que la conduite d'arrivée d'eau est protégée contre le gel. Une valve qui éclate sous l'action du gel peut entraîner un déversement d'eau.
- 3 Mesurez la quantité de tuyau nécessaire pour brancher l'arrivée d'eau chaude à la valve de l'appareil. Les tuyaux de cuivre doivent avoir un diamètre extérieur minimal de 3/8 po. On peut utiliser des tuyaux de plastique haute pression et haute température dont le diamètre interne minimal est de 1/4 po. On recommande d'installer un robinet d'arrêt à l'extérieur de la paroi du lave-vaisselle. **Voir Figure 3, page 52.**

# 52 Branchements



- 4 Découpez un trou d'accès dans la paroi comme le montre la **Figure 3**.
- 5 Amenez la conduite d'arrivée d'eau jusqu'à l'endroit désiré.

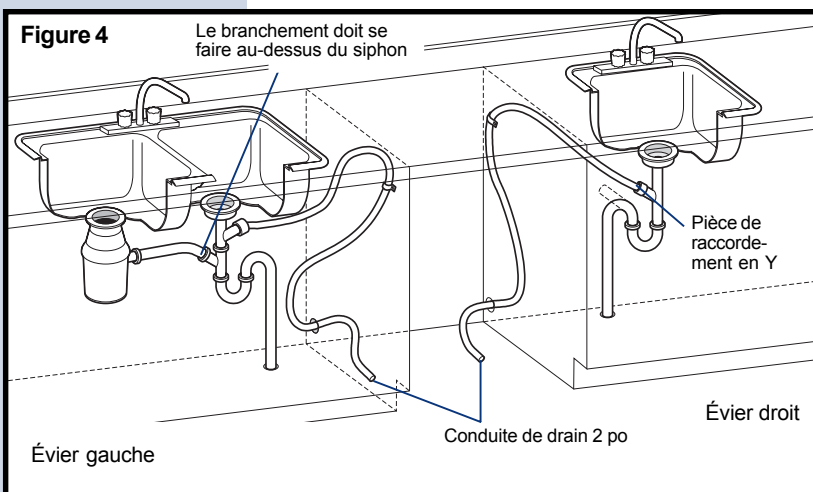
## REMARQUE

L'eau chaude doit être à 120 °F (49 °C) (réglez le chauffe-eau en conséquence). La pression d'eau doit être entre 20 et 120 psi.

## BRANCHEMENT DU DRAIN

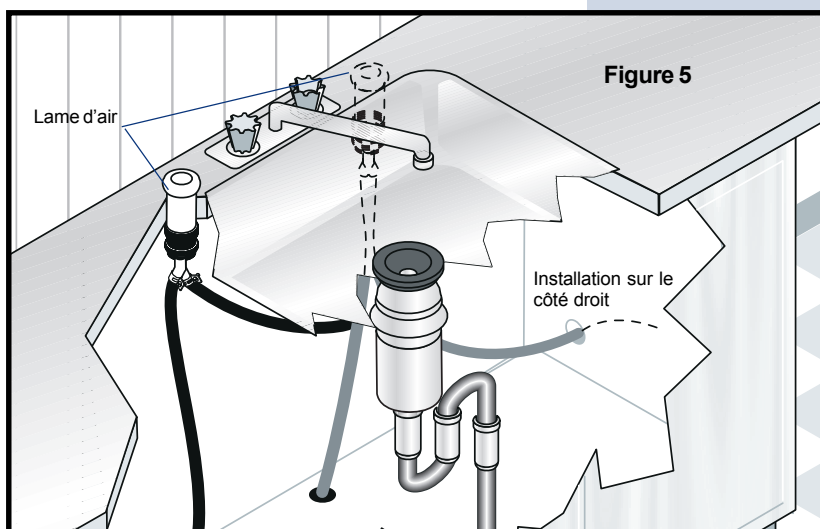
### ⚠ ATTENTION

Pour éviter un effet de siphon, IL EST ESSENTIEL d'installer une lame d'air lorsque le té de vidage ou le branchement du broyeur est à moins de 18 po du sol. Un drain non doté de lame d'air ou d'une boucle d'au moins 30 po de haut ne fonctionnera pas correctement, ce qui pourrait entraîner des dommages matériels et nuire au fonctionnement de l'appareil.

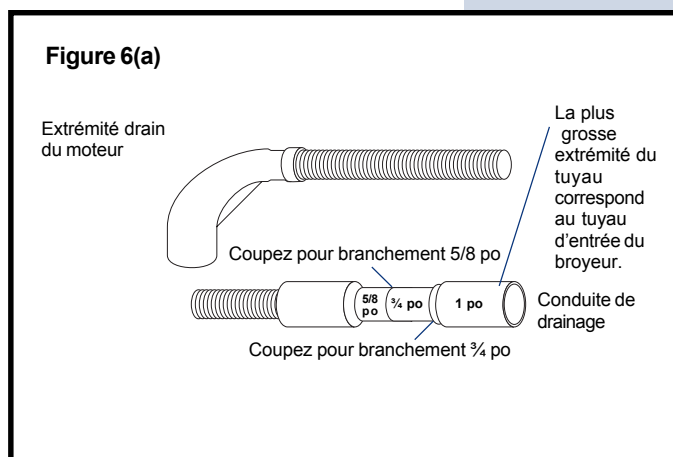


- 1 Suivez les codes et directives locaux.
- 2 Voir à la **Figure 4**, page 52, et à la **Figure 5**, page 53, les différentes façons de brancher le lave-vaisselle au circuit d'évacuation. Choisissez la méthode qui vous convient le mieux.
- 3 Si vous reliez l'appareil à un **égout d'évier**, le branchement devra se faire au-dessus du siphon. L'utilisation d'une pièce de raccordement en Y et d'un nécessaire de branchement (non inclus) contenant les raccords et instructions nécessaires facilitera le travail. **Voir Figure 5, page 53.**

**7** Si vous reliez l'appareil à un siphon d'évier, les codes de plomberie locaux peuvent exiger l'installation d'une lame d'air, nécessaire non inclus. La conduite du drain sera acheminée du lave-vaisselle par le trou de la lame d'air, comme le montre la **Figure 5**. On peut se procurer un nécessaire de lame d'air dans une quincaillerie.

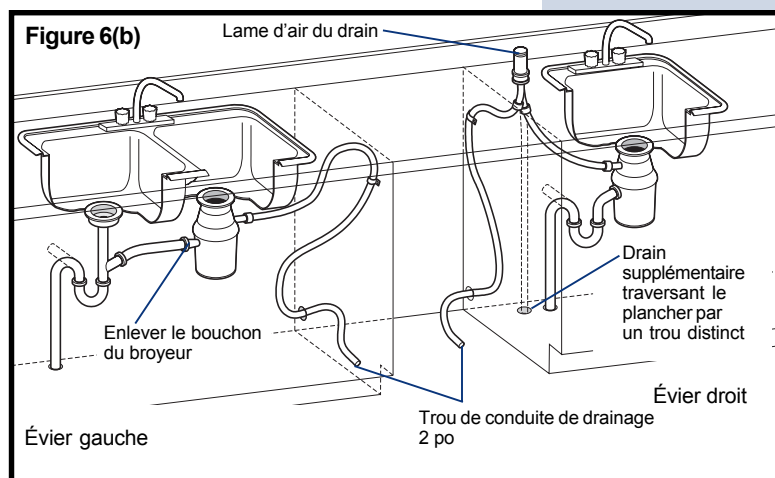


**8** Si vous reliez l'appareil à un broyeur, le gros bout de la conduite du drain conviendra. Voir **Figure 6(a)**. Enlever le bouchon de l'intérieur du broyeur avant de procéder au branchement définitif à la conduite de drainage. Voir **Figure 6(b)**.



**9** Avant de découper le trou d'accès pour la conduite de drainage, assurez-vous qu'il n'y a aucun obstacle de chaque côté de l'endroit choisi. Découpez un trou de 2 po de diamètre dans une zone ombrée illustrée à la **Figure 1**, page 48.

**10** Si le mur du comptoir est en bois, poncez les arêtes du trou pour adoucir et arrondir la surface. Si le mur est en métal, couvrez les arêtes de ruban électrique ou de ruban à conduits pour éviter d'endommager le conduit de drainage.

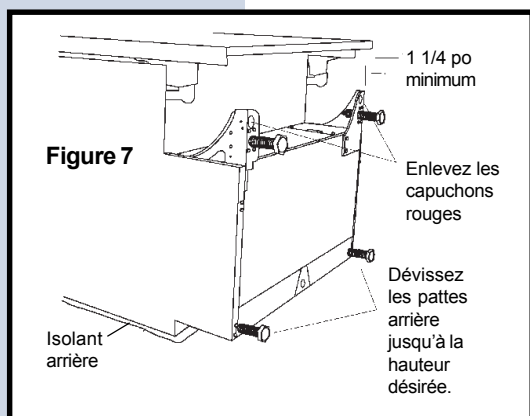


# 54 Installation du lave-vaisselle

## ENLÈVEMENT DE L'EMBALLAGE

- 1 Coupez le carton d'emballage et utilisez-le sous l'appareil pour protéger le fini du plancher de la cuisine.
- 2 Enlevez l'emballage et déroulez la conduite de drainage à l'arrière de l'appareil. N'enlevez pas l'isolant arrière.
- 3 Couchez l'appareil sur le dos en veillant de ne pas plier ni écraser la conduite de drainage.

## INSTALLATION DES PATTES AJUSTABLES



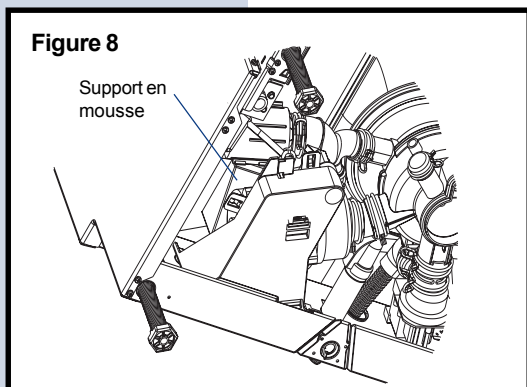
- 1 Mesurez l'ouverture de l'emplacement, du plancher au-dessous du comptoir.
- 2 Installez les pattes ajustables sous les capuchons rouges. Utilisez la clé fournie pour visser les pattes jusqu'à ce que l'appareil soit 1/4 po plus bas que le haut de l'ouverture. **Voir Figure 7.**
- 3 Enlevez les capuchons rouges d'expédition.

### REMARQUE

Installez les pattes comme le montre l'illustration à au moins 1 1/4 po du haut des éléments de fixation.

Des pattes mal installées peuvent entraîner des dommages à la porte lorsqu'on l'ouvre.

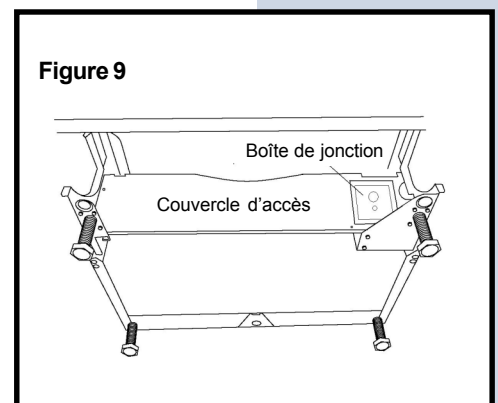
## ENLÈVEMENT DU SUPPORT MOTEUR EN MOUSSE



- 1 Trouvez la cale de mousse de polystyrène entre le moteur et le revêtement. **Voir Figure 8.**
- 2 À l'aide des deux mains, tournez, puis faites glisser la cale vers le bas et vers la gauche pour l'enlever.
- 3 Jetez la cale aux rebuts.

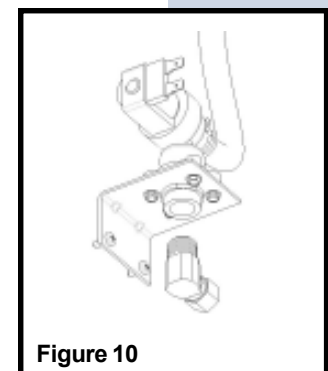
## ENLÈVEMENT DU COUVERCLE D'ACCÈS

- 1 Enlevez les quatre (4) vis à l'avant du couvercle d'accès. *Voir Figure 9.*
- 2 Inclinez le couvercle, puis tirez-le vers l'avant pour l'enlever.
- 3 Introduisez le fil électrique de la maison dans la boîte de jonction. Utilisez des cales de serrage approuvées UL pour stabiliser le filage dans la boîte de jonction.



## INSTALLATION DU COUDE

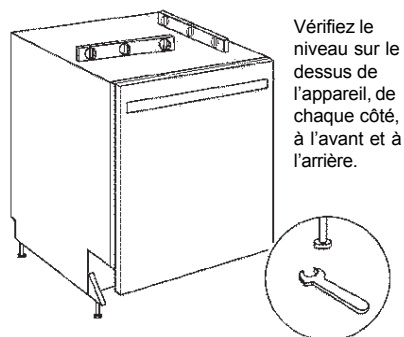
- 1 Trouvez la valve d'arrivée d'eau. Elle est dotée d'un embout femelle NPT 3/8 po. *Voir Figure 10.*
- 2 Recouvrez les filets du coude à 90° de ruban pour joints filetés (ou appliquez de la pâte à joints), puis vissez le coude dans la valve d'arrivée d'eau. Enroulez le ruban dans le même sens que les filets du coude.
- 3 Serrez le coude à l'aide d'une clé en vous assurant qu'il pointe en direction de la valve d'arrivée d'eau. *Pour éviter de plier le dispositif de fixation ou de briser la valve, évitez de trop serrer le coude.*



# 56 Installation du lave-vaisselle

## MISE À NIVEAU DE L'APPAREIL

Figure 11



- 1 Mesurez la hauteur de l'ouverture du dessous du comptoir jusqu'au plancher.
- 2 Placez l'appareil devant l'ouverture.
- 3 Ajustez les pattes pour vous assurer que l'appareil convient à l'ouverture en gardant un jeu de 1/4 po dans le haut.
- 4 Vérifiez le niveau de l'appareil d'un côté à l'autre en plaçant un niveau sur la partie supérieure avant. **Voir Figure 11.**
- 5 Assurez-vous que le lave-vaisselle est au niveau de l'avant vers l'arrière en ouvrant la porte, puis en plaçant un niveau sur la paroi interne.
- 6 Ajustez l'appareil en vissant ou en dévissant les pattes ajustables.

### REMARQUE

Avant de poursuivre l'installation, assurez-vous d'avoir une surface adéquate pour fixer l'appareil au sol ou sur les côtés du comptoir et des armoires. Il peut être nécessaire d'assujettir l'appareil. Voir Assujettissement aux armoires et au comptoir, page 60.

### ATTENTION

Ne poussez pas sur le panneau avant avec les genoux en installant l'appareil. Le non-respect de cette mise en garde peut entraîner des dommages à l'appareil. Les dommages matériels résultant du non-respect de cette mise en garde annulent la garantie.

## POSITIONNEMENT DE L'APPAREIL POUR L'INSTALLATION

- 1 Introduisez la conduite de drainage dans le trou pratiqué dans l'armoire.
- 2 Positionnez la conduite d'arrivée d'eau et le câblage maison sur le plancher de l'ouverture pour éviter qu'ils ne s'accrochent à la base et aux pattes ajustables de l'appareil.
- 3 Faites glisser le lave-vaisselle dans l'ouverture quelques pouces à la fois. Ce faisant, poussez la conduite de drainage dans le mur de l'armoire sous le comptoir.
- 4 Assurez-vous que rien ne nuit au bon fonctionnement du câblage maison ou des conduites d'eau.
- 5 Assurez-vous que le lave-vaisselle est de niveau.

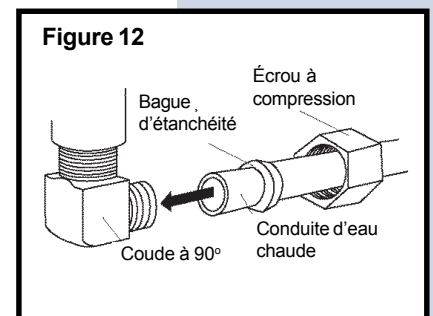


## FINITION DU BRANCHEMENT DES CONDUITES D'EAU

### REMARQUE

Si vous utilisez une conduite d'eau existante, coupez-la à 1 po de son extrémité. Utilisez toujours une bague et un écrou à compression neufs.

- 1 Purgez la conduite d'arrivée d'eau pour la débarrasser de tout corps étranger avant de la brancher au lave-vaisselle.
- 2 Assurez-vous que la conduite n'est ni pliée, ni tordue, ce qui aurait pour effet de restreindre le débit d'eau.
- 3 Insérez la conduite d'eau dans le coude à 90°. **Voir Figure 12.**
- 4 Faites glisser la bague d'étanchéité contre le coude et mettez en place l'écrou à compression.
- 5 Rétablissez l'alimentation en eau pour vérifier l'étanchéité.
- 6 Poussez le cordon d'alimentation du lave-vaisselle dans le trou de la boîte de jonction.
- 7 Remettez en place le couvercle d'accès.



## FINITION DU BRANCHEMENT DE LA CONDUITE DE DRAINAGE

### REMARQUE

Suivez tous les codes et directives.

Le lave-vaisselle est livré avec une conduite de drainage de 72 po de long.

- 1 Si la conduite est trop courte, ajoutez une conduite de 48 po pour une longueur totale de 10 pi. La conduite ne doit pas nuire au débit de l'eau de drainage de l'appareil vers le drain de la maison. Le type de conduite utilisée doit convenir au type et au diamètre des conduites installées sur l'appareil.
- 2 Assujettissez la conduite de drainage à la lame d'air, au té de vidage ou au broyeur à l'aide de brides.
- 3 Assurez-vous que la conduite de drainage n'est pas tordue.

### REMARQUE

En reliant la conduite de drainage au broyeur, assurez-vous d'enlever le capuchon. **LE LAVE-VAISSELLE NE SE VIDERA PAS SI LE CAPUCHON DEMEURE EN PLACE.**

## FINITION DES BRANCHEMENTS ÉLECTRIQUES

### **AVERTISSEMENT**

Risque de choc électrique – Coupez l'alimentation électrique au coffret à fusibles ou fermer le coupe-circuit avant d'entreprendre l'installation.

Le lave-vaisselle doit être branché à un système électrique permanent en métal et relié à la terre, à défaut de quoi un conducteur de mise à la terre doit être ajouté aux conducteurs de circuit puis branché à la borne de mise à la terre de l'équipement ou au câble de mise à la terre du lave-vaisselle. Il incombe au consommateur de communiquer avec un installateur qualifié pour que l'installation électrique soit conforme au Code national de l'électricité, ainsi qu'aux codes et règlements locaux.

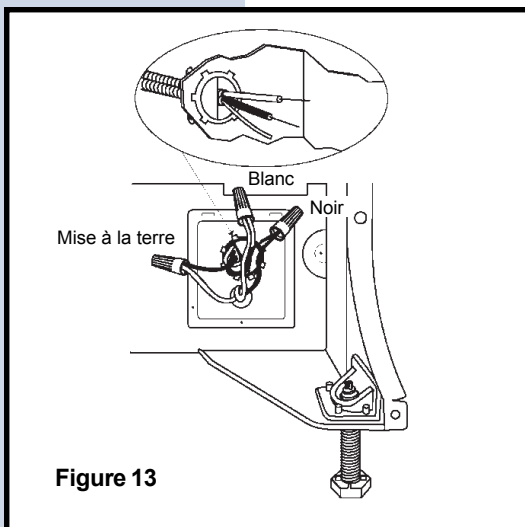
Ne branchez pas le lave-vaisselle à la prise électrique avant que l'appareil ne soit mis à la terre en permanence.

Tous les branchements électriques doivent être enfermés dans la boîte de jonction. L'appareil est doté de fils de plomb-cuivre.

Confiez la jonction de fils d'aluminium et de fils de cuivre torsadés à un électricien qualifié qui utilise des matériaux reconnus par UL et conformes aux codes locaux.

N'utilisez pas de rallonges électriques; cela pourrait déclencher un incendie, occasionner des chocs électriques ou d'autres blessures.

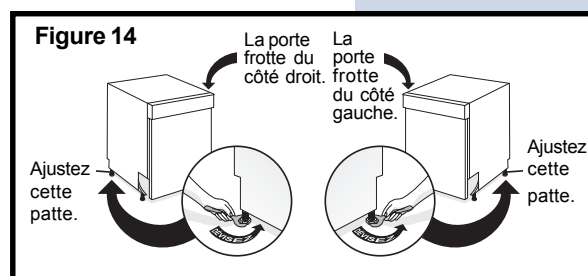
Le non-respect de cet avertissement peut entraîner de graves blessures, voire la mort. Les dommages matériels résultant du non-respect de cet avertissement annulent la garantie.



- 1 Assurez-vous que le courant est coupé à la source.
- 2 Dénudez une longueur suffisante de fil pour faire un bon branchement.
- 3 Ajustez le serre-câble sur la gaine extérieure du câble.
- 4 Ajustez le serre-câble dans le trou de la boîte de jonction, puis serrez. **Voir Figure 13.**
- 5 Localisez les fils blanc, noir et vert du lave-vaisselle aux bouts dénudés. Utilisez des connecteurs électriques pour relier le fil de terre au fil vert, le fil blanc au fil blanc puis le noir au noir.
- 6 Mettre en place le couvercle de la boîte de jonction à l'aide des vis fournies. Assurez-vous que les fils ne sont pas écrasés par le couvercle.

## POSITIONNEMENT DU LAVE-VAISSELLE DANS L'OUVERTURE

- 1 Assurez-vous que le lave-vaisselle est ajusté en hauteur et qu'il est centré dans l'ouverture. **Voir Mise à niveau de l'appareil, page 56.**
- 2 Vérifiez le fonctionnement de la porte en l'ouvrant, puis en la fermant. Si elle coince ou frotte, ajustez les pattes.
- 3 Si la porte frotte du côté droit de l'ouverture, allongez la patte arrière gauche en la dévissant de 1/4 de tour. **Voir Figure 14.**
- 4 Si la porte frotte du côté gauche de l'ouverture, allongez la patte arrière droite en la dévissant de 1/4 de tour. **Voir Figure 14.**
- 5 Vérifiez de nouveau si le lave-vaisselle est de niveau. Répétez la procédure au besoin.



## VÉRIFICATION DE L'INSTALLATION

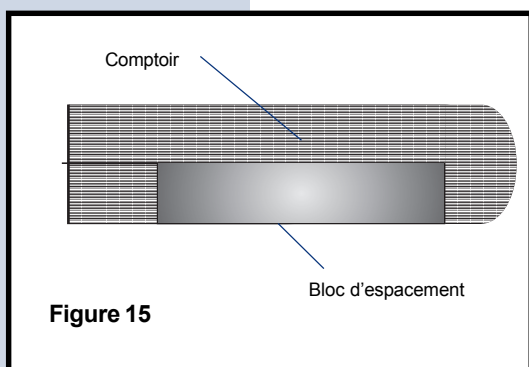
- 1 Assurez-vous d'avoir coupé l'alimentation électrique.
- 2 Ouvrez la porte et retirez l'emballage.
- 3 Sortez le panier inférieur de moitié. Assurez-vous qu'il ne bouge ni vers l'arrière, ni vers l'avant. S'il bouge, ajustez les pattes.
- 4 Assurez-vous que les conduites d'arrivée d'eau et de drainage ne sont pas tordues et qu'elles sont correctement branchées.
- 5 Ouvrez l'alimentation en eau.
- 6 Vérifiez l'étanchéité des branchements.
- 7 Remettez l'électricité.

Faites fonctionner l'appareil au moins un cycle complet, puis vérifiez les points suivants :

- 1 Assurez-vous que l'eau recouvre entièrement le filtre.
- 2 Assurez-vous que toute l'eau est évacuée durant le cycle de vidange.
- 3 Vérifiez l'étanchéité des branchements.

# 60 Assujettissement de l'appareil

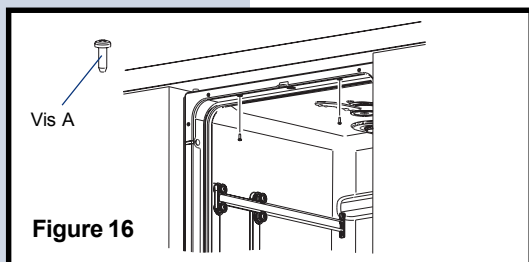
## ASSUJETTISSEMENT AUX ARMOIRES ET AU COMPTOIR



Afin de maintenir le positionnement et l'alignement, il est recommandé d'assujettir le lave-vaisselle au comptoir et aux armoires adjacentes.

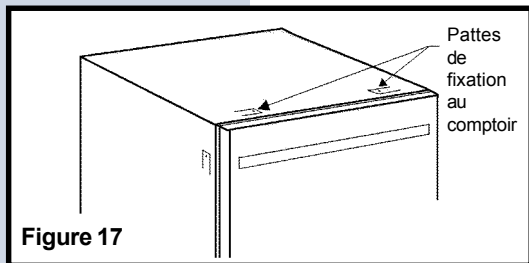
### Assurez-vous que le comptoir est suffisamment large :

- 1 S'il faut fixer le lave-vaisselle au comptoir, assurez-vous de disposer d'au moins 2,5 po de comptoir pour assujettir correctement l'appareil. Si le comptoir n'est pas suffisamment large, passez à l'étape 2.
- 2 Au besoin, installez un support en bois de 1 po x 4 po x 24 po sur les côtés intérieurs du comptoir avant d'installer l'appareil. **Voir Figure 15.**



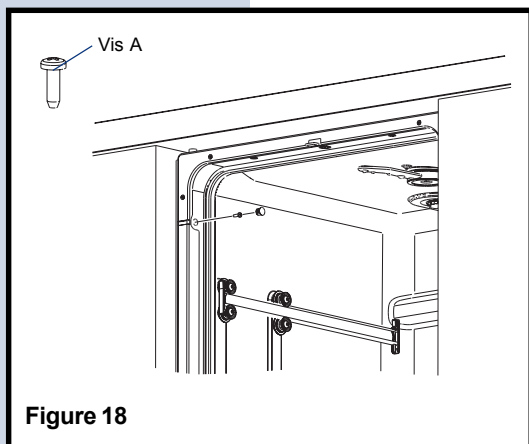
### Pour assujettir le lave-vaisselle au comptoir :

- 1 Percez des avant-trous sous le comptoir.
- 2 Assujettissez les pattes de fixation au comptoir à l'aide des vis fournies (vis A, **Figure 16**). **Voir Figures 16 et 17.**



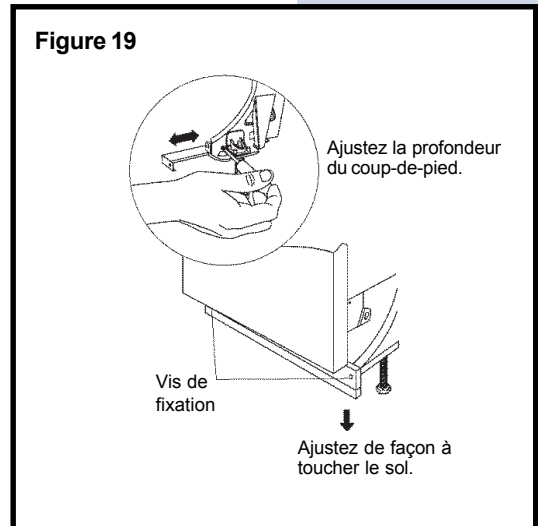
### Pour assujettir le lave-vaisselle à un comptoir de granit :

- 1 Enlevez les deux (2) capuchons de plastique de chaque côté de l'intérieur du châssis de l'appareil.
- 2 Percez des avant-trous dans les armoires adjacentes.
- 3 Assujettissez les pattes de fixation aux armoires à l'aide des vis fournies (vis A, **Figure 18**). **Voir Figure 18.**
- 4 Remettez en place les deux capuchons de plastique.



## INSTALLATION DU COUP-DE-PIED

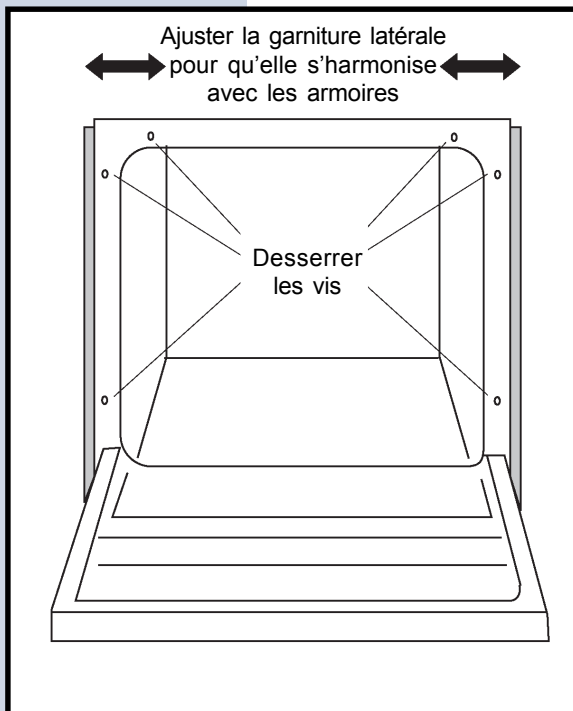
- 1 Desserrez les vis d'ajustement de la profondeur.
- 2 Glissez le dispositif de fixation vers l'extérieur à la profondeur voulue, puis serrez les vis. **Voir Figure 19.**
- 3 Fixez le coup-de-pied fourni au dispositif de fixation à l'aide des vis de couleur harmonisée.
- 4 Serrez les vis.



# 62 Plaques d'ajustement

## PLAQUES D'AJUSTEMENT EN ACIER INOXYDABLE

Le lave-vaisselle Electrolux est doté de cales latérales d'ajustement en acier inoxydable, permettant d'ajuster chaque côté de l'appareil de façon indépendante, pour l'harmoniser davantage le lave-vaisselle avec les armoires.



### Pour ajuster les cales :

- 1 Ouvrir complètement la porte de l'appareil.
- 2 Desserrer, sans les enlever, les vis maintenant les parties supérieure et latérale des cales.
- 3 Ajuster les plaques en acier inoxydable de façon à combler l'ouverture.
- 4 Resserrer les vis.





1-877-4Electrolux

[www.electroluxusa.com](http://www.electroluxusa.com)  
[www.electroluxca.com](http://www.electroluxca.com)