



# 30" Vented Custom Series Range Hood

## PRODUCT MODEL NUMBERS

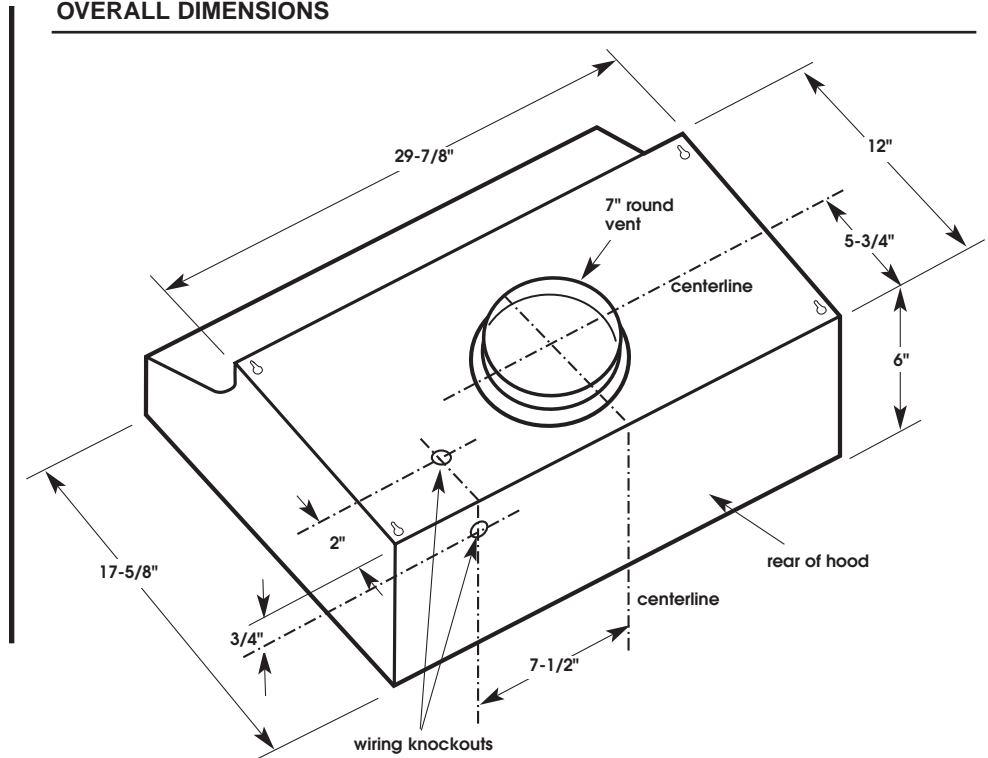
RH2030XJ

**Electrical:** 115-volt, 60-Hz, AC-only, fused electrical supply is required. The total ampere load used, including the range hood, must not exceed 90% of the rated capacity of the circuit. The ampere rating of the range hood is located on the model/serial number rating plate located on the side cover of the fan motor housing. Use copper wire only.

The range hood can be connected directly to the fused disconnect (or circuit breaker) box through flexible armored or nonmetallic sheathed copper cable.

For power cord connected installations, a U.L.-listed range hood cord-connection kit **MUST** be used. Note: Some models come with a factory installed 3 ft. long power cord having a 3-prong ground plug.

## OVERALL DIMENSIONS



## VENTING REQUIREMENTS

Backdraft damper supplied with product must be used. If roof or wall cap has a damper, do not use damper supplied with hood. Use metal vent only. Rigid metal vent is recommended.

The length of the vent system and number of elbows should be kept to a minimum to provide efficient performance. The size of the vent system should be uniform. Do Not install two elbows together. Use duct tape to seal all joints in vent system. Vent system can terminate either through the roof or wall. Use caulking to seal exterior wall or roof opening around exhaust hood. For the most efficient and quiet operation, it is recommended that the range be vented vertically through the roof through 7" round vent system.

Figures 1-2 show common venting methods and what types of materials are needed.

### Vertical Roof Venting

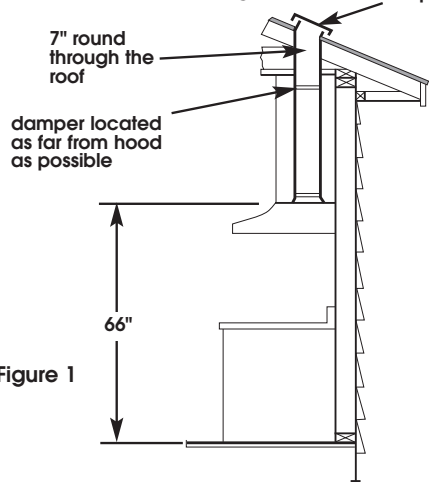


Figure 1

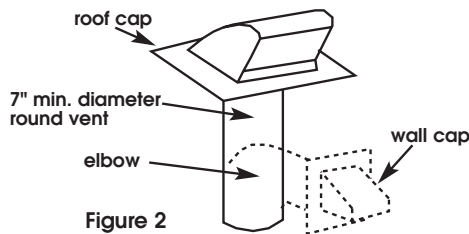
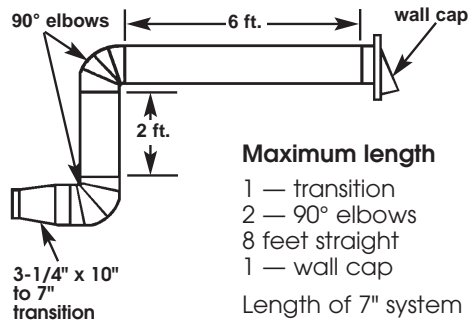


Figure 2

### Recommended vent system length

Maximum length of vent system is 26 feet. For best performance, use no more than three 90° elbows. To calculate the length of system you need, add the equivalent feet for each vent system piece used in the system. See the following example.

### 7" vent system



<b>Maximum length</b>	<b>= 26 feet</b>
1 — transition	= 4.5 ft.
2 — 90° elbows	= 10 ft.
8 feet straight	= 8 ft.
1 — wall cap	= 0 ft.
<b>Length of 7" system</b>	<b>= 22.5 ft.</b>

### Recommended standard fittings

3-1/4" x 10" to 7" = 4.5 ft.	3-1/4" x 10" to 7" 90° elbow = 5 ft.	7" to 3-1/4" x 10" 90° elbow = 9 ft.	
90° elbow = 5 ft.	7" to 3-1/4" x 10" = 1 ft.	45° elbow = 2.5 ft.	7" wall cap = 0 ft.