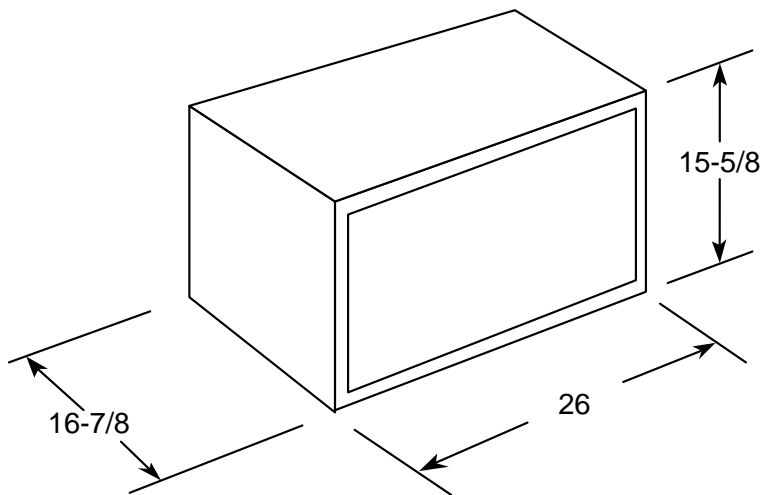




GE Appliances

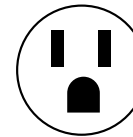
AJ808AH—"J Series" Cooling Unit

Wall Case Dimensions (in inches)



Note: When installing units in through-the-wall applications, do not restrict air flow areas.

Parallel



115V
15 Amp

For answers to your GE Monogram™, GE Profile™, GE, Hotpoint and RCA appliance questions, call GE Answer Center® service, 800.626.2000.

Revised 6/96



Total capacity and E.E.R. ratings are calculated based on the Association of Home Appliance Manufacturers' standards.

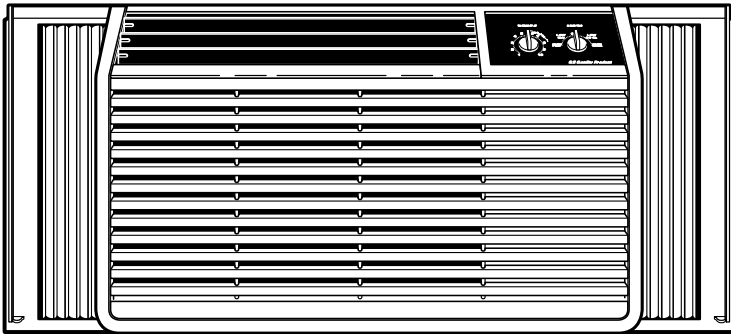


Listed by Underwriters Laboratories



GE Appliances

AJ808AH—"J Series" Cooling Unit



Features and Benefits

- Decorative Warm Gray-Beige Front
- 8,200 BTUH, 8.7 EER, 115 Volts
- Hidden Energy Saver Switch for Reduced Energy Consumption
- 10-Position Thermostat
- 2 Cooling/2 Fan Speeds
- EZ Installation
- Slide-Out Filter for Easy Cleaning
- Hidden Exhaust Control for Air Exchange
- Slide-Out Chassis
- Wall Case Included
- Plug Type—Parallel