

Use & Care Guide
Manual de uso y cuidado
Guide d'utilisation et d'entretien
English / Español / Français



Models/Modelos/Modèles: 596.6928*, 6991*, 6992*, 6993*, 6994*, 6995*, 6996*
596.6997*, 6998*

Kenmore®

Bottom Mount Refrigerator

Refrigerador con congelador en la parte inferior

Réfrigérateur à congélateur en bas

* = color number, número de color, le numéro de la couleur

P/N W10312764A
Sears Brands Management Corporation
Hoffman Estates, IL 60179 U.S.A.
www.kenmore.com
www.sears.com
www.sears.ca



TABLE OF CONTENTS

WARRANTY	3	FREEZER FEATURES	13
REFRIGERATOR SAFETY	4	Freezer Door Shelf.....	13
Proper Disposal of Your Old Refrigerator	4	DOOR FEATURES	13
INSTALLATION INSTRUCTIONS	5	Dairy Center.....	13
Unpack the Refrigerator	5	Door Bins.....	13
Location Requirements.....	5	Full-Width Door Shelf.....	14
Electrical Requirements	6	REFRIGERATOR CARE	14
Refrigerator Door(s) and Drawer	6	Cleaning.....	14
Adjust the Door.....	11	Changing the Light Bulb	14
REFRIGERATOR USE	11	Power Interruptions.....	15
Using the Controls	11	TROUBLESHOOTING	15
REFRIGERATOR FEATURES	12	Refrigerator Operation.....	15
Refrigerator Shelves.....	12	Temperature and Moisture.....	16
Crisper and Crisper Cover	12	PROTECTION AGREEMENTS	16
Crisper Humidity Control.....	13	ACCESSORIES	16
Snack Drawer.....	13	SERVICE NUMBERS	BACK COVER

ÍNDICE

GARANTÍA	18	CARACTERÍSTICAS DEL CONGELADOR	29
SEGURIDAD DEL REFRIGERADOR	19	Estante de la puerta del congelador	29
Cómo deshacerse adecuadamente de su refrigerador viejo.....	19	CARACTERÍSTICAS DE LA PUERTA	29
INSTRUCCIONES DE INSTALACIÓN	20	Centro de productos lácteos.....	29
Desempaque el refrigerador.....	20	Recipientes de la puerta.....	29
Requisitos de ubicación.....	20	Estante de ancho completo de la puerta.....	29
Requisitos eléctricos	21	CUIDADO DE SU REFRIGERADOR	29
Puerta(s) y cajón del refrigerador	21	Limpieza	29
Ajuste la puerta.....	26	Cómo cambiar el foco.....	30
USO DE SU REFRIGERADOR	27	Cortes de corriente	30
Uso de los controles	27	SOLUCIÓN DE PROBLEMAS	31
CARACTERÍSTICAS DEL REFRIGERADOR	27	Funcionamiento del refrigerador	31
Estantes del refrigerador.....	27	Temperatura y humedad.....	32
Cajón para verduras y tapa.....	28	CONTRATOS DE PROTECCIÓN	32
Control de humedad del cajón para verduras.....	28	ACCESORIOS	32
Cajón para bocadillos.....	28	NÚMEROS DE SERVICIO	CONTRAPORTADA

TABLE DES MATIÈRES

GARANTIE	33	CARACTÉRISTIQUES DU CONGÉLATEUR	43
SÉCURITÉ DU RÉFRIGÉRATEUR	34	Tablette de porte du congélateur.....	43
Mise au rebut adéquate de votre vieux réfrigérateur.....	34	CARACTÉRISTIQUES DE LA PORTE	44
INSTRUCTIONS D'INSTALLATION	35	Compartiment à produits laitiers.....	44
Déballage du réfrigérateur	35	Balconnets de la porte.....	44
Exigences d'emplacement	35	Tablette de porte de pleine largeur.....	44
Spécifications électriques.....	36	ENTRETIEN DU RÉFRIGÉRATEUR	44
Porte(s) et tiroir du réfrigérateur.....	36	Nettoyage	44
Ajustement de la porte.....	41	Remplacement de l'ampoule d'éclairage	45
UTILISATION DU RÉFRIGÉRATEUR	42	Pannes de courant	45
Utilisation des commandes.....	42	DÉPANNAGE	46
CARACTÉRISTIQUES DU RÉFRIGÉRATEUR	42	Fonctionnement du réfrigérateur	46
Tablettes du réfrigérateur	42	Température et humidité	47
Bac à légumes et couvercle.....	43	CONTRATS DE PROTECTION	47
Réglage de l'humidité dans le bac à légumes.....	43	ACCESSOIRES	47
Tiroir à collations.....	43	NUMÉROS DE SERVICE	COUVERTURE ARRIÈRE

KENMORE APPLIANCE WARRANTY

ONE YEAR LIMITED WARRANTY

When installed, operated and maintained according to all instructions supplied with the product, if this appliance fails due to a defect in material or workmanship within one year from the date of purchase, call 1-800-4-MY-HOME® to arrange for free repair.

This warranty applies for only 90 days from the date of purchase if this appliance is ever used for other than private family purposes.

THIS WARRANTY COVERS ONLY DEFECTS IN MATERIAL AND WORKMANSHIP. SEARS WILL NOT PAY FOR:

1. Expendable items that can wear out from normal use, including but not limited to filters, belts, light bulbs, and bags.
2. A service technician to instruct the user in correct product installation, operation or maintenance.
3. A service technician to clean or maintain this product.
4. Damage to or failure of this product if it is not installed, operated or maintained according to all instructions supplied with the product.
5. Damage to or failure of this product resulting from accident, abuse, misuse or use for other than its intended purpose.
6. Damage to or failure of this product caused by the use of detergents, cleaners, chemicals or utensils other than those recommended in all instructions supplied with the product.
7. Damage to or failure of parts or systems resulting from unauthorized modifications made to this product.

DISCLAIMER OF IMPLIED WARRANTIES; LIMITATION OF REMEDIES

Customer's sole and exclusive remedy under this limited warranty shall be product repair as provided herein. Implied warranties, including warranties of merchantability or fitness for a particular purpose, are limited to one year or the shortest period allowed by law. Sears shall not be liable for incidental or consequential damages. Some states and provinces do not allow the exclusion or limitation of incidental or consequential damages, or limitations on the duration of implied warranties of merchantability or fitness, so these exclusions or limitations may not apply to you.

This warranty applies only while this appliance is used in the United States or Canada.

This warranty gives you specific legal rights, and you may also have other rights which vary from state to state.

Sears Brands Management Corporation
Hoffman Estates, IL 60179

Sears Canada Inc.
Toronto, Ontario, Canada M5B 2C3

PRODUCT RECORD

Record your complete model number, serial number, and purchase date. You can find this information on the model and serial number label located on the product.

Have this information available to help you obtain assistance or service more quickly whenever you contact Sears concerning your appliance.

Model number _____

Serial number _____

Purchase date _____

Save these instructions and your sales receipt for future reference.

REFRIGERATOR SAFETY

Your safety and the safety of others are very important.

We have provided many important safety messages in this manual and on your appliance. Always read and obey all safety messages.



This is the safety alert symbol.

This symbol alerts you to potential hazards that can kill or hurt you and others.

All safety messages will follow the safety alert symbol and either the word "DANGER" or "WARNING."

These words mean:

⚠ DANGER

You can be killed or seriously injured if you don't immediately follow instructions.

⚠ WARNING

You can be killed or seriously injured if you don't follow instructions.

All safety messages will tell you what the potential hazard is, tell you how to reduce the chance of injury, and tell you what can happen if the instructions are not followed.

IMPORTANT SAFETY INSTRUCTIONS

WARNING: To reduce the risk of fire, electric shock, or injury when using your refrigerator, follow these basic precautions:

- Plug into a grounded 3 prong outlet.
- Do not remove ground prong.
- Do not use an adapter.
- Do not use an extension cord.
- Disconnect power before servicing.
- Replace all parts and panels before operating.
- Remove doors from your old refrigerator.
- Use nonflammable cleaner.
- Keep flammable materials and vapors, such as gasoline, away from refrigerator.
- Use two or more people to move and install refrigerator.
- Disconnect power before installing ice maker (on ice maker kit ready models only).
- Use a sturdy glass when dispensing ice (on some models).
- Do not hit the refrigerator glass doors (on some models).

SAVE THESE INSTRUCTIONS

Proper Disposal of Your Old Refrigerator

⚠ WARNING

Suffocation Hazard

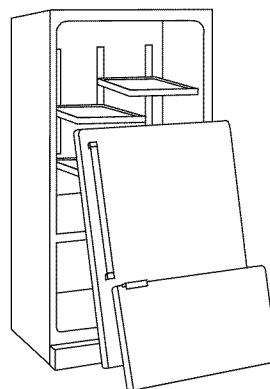
Remove doors from your old refrigerator.

Failure to do so can result in death or brain damage.

IMPORTANT: Child entrapment and suffocation are not problems of the past. Junked or abandoned refrigerators are still dangerous — even if they will sit for "just a few days." If you are getting rid of your old refrigerator, please follow these instructions to help prevent accidents.

Before You Throw Away Your Old Refrigerator or Freezer:

- Take off the doors.
- Leave the shelves in place so that children may not easily climb inside.



INSTALLATION INSTRUCTIONS

Unpack the Refrigerator

⚠ WARNING

Excessive Weight Hazard

Use two or more people to move and install refrigerator.

Failure to do so can result in back or other injury.

Remove the Packaging

- Remove tape and glue residue from surfaces before turning on the refrigerator. Rub a small amount of liquid dish soap over the adhesive with your fingers. Wipe with warm water and dry.
- Do not use sharp instruments, rubbing alcohol, flammable fluids, or abrasive cleaners to remove tape or glue. These products can damage the surface of your refrigerator. For more information, see "Refrigerator Safety."
- Shelves, bins, door shelf rails, and other feature parts may be packaged in the Interior FeaturePak. Follow the instructions contained in the package for proper assembly.
- Dispose of/recycle all packaging materials.

When Moving Your Refrigerator:

Your refrigerator is heavy. When moving the refrigerator for cleaning or service, be sure to cover the floor with cardboard or hardboard to avoid floor damage. Always pull the refrigerator straight out when moving it. Do not wiggle or "walk" the refrigerator when trying to move it, as floor damage could occur.

Clean Before Using

After you remove all of the packaging materials, clean the inside of your refrigerator before using it. See the cleaning instructions in "Refrigerator Care."

Important information to know about glass shelves and covers:

Do not clean glass shelves or covers with warm water when they are cold. Shelves and covers may break if exposed to sudden temperature changes or impact, such as bumping. Tempered glass is designed to shatter into many small, pebble-size pieces. This is normal. Glass shelves and covers are heavy. Use both hands when removing them to avoid dropping.

Location Requirements

⚠ WARNING



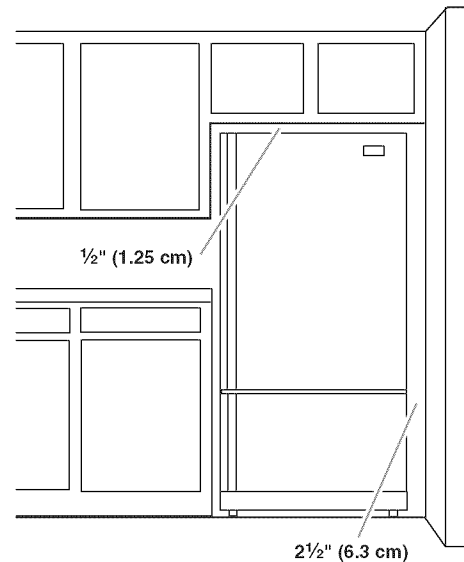
Explosion Hazard

Keep flammable materials and vapors, such as gasoline, away from refrigerator.

Failure to do so can result in death, explosion, or fire.

To ensure proper ventilation for your refrigerator, allow for ½" (1.25 cm) of space on each side and at the top. Allow for 1" (2.54 cm) of space behind the refrigerator. If your refrigerator has an ice maker, allow extra space at the back for the water line connections. When installing your refrigerator next to a fixed wall, leave 2½" (6.3 cm) minimum on the hinge side (some models require more) to allow for the door to swing open.

NOTE: It is recommended that you do not install the refrigerator near an oven, radiator, or other heat source. Do not install the refrigerator in a location where the temperature will fall below 55°F (13°C).



Electrical Requirements

⚠ WARNING



Electrical Shock Hazard

Plug into a grounded 3 prong outlet.

Do not remove ground prong.

Do not use an adapter.

Do not use an extension cord.

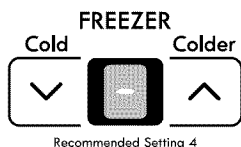
Failure to follow these instructions can result in death, fire, or electrical shock.

Before you move your refrigerator into its final location, it is important to make sure you have the proper electrical connection.

Recommended Grounding Method

A 115 Volt, 60 Hz., AC only 15- or 20-amp fused, grounded electrical supply is required. It is recommended that a separate circuit serving only your refrigerator be provided. Use an outlet that cannot be turned off by a switch. Do not use an extension cord.

NOTE: Before performing any type of installation, cleaning, or removing a light bulb, turn the refrigerator to OFF. Press the Freezer (Down Arrow) until a dash (–) appears in both the Freezer and Refrigerator displays as shown. Disconnect the refrigerator from the electrical source. When you are finished, reconnect the refrigerator to the electrical source and reset the temperature controls to the desired setting. See “Using the Controls.”



7 is Coldest



Refrigerator Door(s) and Drawer

TOOLS NEEDED: 5/16", 3/8", 1/4" hex head socket wrenches, a #2 Phillips screwdriver, and a flat-blade screwdriver.

IMPORTANT:

- Your refrigerator has a standard door with a freezer door (Style 1) or freezer drawer (Style 2). Follow the instructions specific to your model.
- All graphics referenced in the following instructions are included later in this section after “Final Steps.” The graphics shown are for a right-hand swing refrigerator (hinges factory installed on the right).
- If you only want to remove and replace the door(s), see “Remove Door(s) and Hinges” and “Replace Door(s) and Hinges.”
- Before you begin, turn the refrigerator control OFF, and remove food and adjustable door or utility bins from the doors.

Remove and Replace Refrigerator and Freezer Door or Drawer Handles

Style 1 - Refrigerator Door with Freezer Door Refrigerator Door

- To remove the handle, pull the trim pieces off each end of the handle. Using a Phillips screwdriver, remove the handle screws. Make sure you keep the screws for reattaching the handles. See Graphic 2.
- To replace the handle, align the handle on the door or drawer as shown. Using a Phillips screwdriver, attach the handle with the handle screws. Snap the trim pieces onto the end of the handle.

Freezer Door

- To remove the handle, remove the two screws attaching the handle to the top of the door. See Graphic 5-1.
- To replace the handle, align the holes in the handle with the holes in the door. Insert a screw in each of the holes. Tighten the screws.

Style 2 - Refrigerator Door with Freezer Drawer

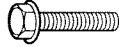
Metal handles

- To remove the handle, use a 3/32" or 1/8" Allen wrench to loosen the two setscrews located on the side of each handle. Pull the handle straight out from the door or drawer. Make sure you keep the screws for reattaching the handles. See Metal Handle graphics 2 and 4.
- To replace the handles, reverse the directions.

Plastic handles

- To remove the handle, slide the trim pieces to each end of the handle and lift off. Using a Phillips screwdriver, remove the handle screws. Make sure you keep the screws for reattaching the handles. See Plastic Handle graphics 2 and 4.
- To replace the handle, align the handle on the door or drawer as shown. Using a Phillips screwdriver, attach the handle with the handle screws. Using your hand, apply firm pressure on the face of the trim and slide each trim piece toward the center of the handle.

Remove Door(s) and Hinges



5/16" Hex Head Top Hinge Screw

Style 1

1. Unplug refrigerator or disconnect power.
2. Keep the freezer door closed until you are ready to lift it free from the cabinet.
NOTE: Provide additional support for the door while the hinges are being moved. Do not depend on the door gasket magnets to hold the door in place while you are working.
3. Remove the parts for the top hinge as shown in Top Hinge graphic. Lift the refrigerator door free from the cabinet.
4. Remove the center hinge pin and remove the hinge screws as shown in the Center Hinge graphic. Lift the freezer door free from the cabinet.

Style 2

1. Unplug refrigerator or disconnect power.
2. Keep the refrigerator door closed until you are ready to lift it free from the cabinet.
NOTE: Provide additional support for the door while the hinges are being moved. Do not depend on the door gasket magnets to hold the door in place while you are working.
3. Remove the parts for the top hinge as shown in Top Hinge graphic. Lift the refrigerator door free from the cabinet.
4. Remove the parts for the bottom hinge as shown in Bottom Hinge graphic.

Reverse Door(s) (optional)

IMPORTANT: If you want to reverse your door so it opens from the opposite side, follow these steps. If you are not reversing the door, see "Replace Door and Hinges."



Door Stop Screw



Door Handle Seal Screw Front



Flat-Head Handle Screw



Cabinet Hinge Hole Plug

Cabinet

1. Remove hinge screws from handle side and move them to opposite side. See Graphic 1-1.
2. Remove cabinet hinge hole plugs from cabinet top and move them to opposite side hinge holes as shown in Graphic 1-2.

Refrigerator door

1. Remove the refrigerator handle assembly as shown in Graphic 2. Keep all parts together.
2. Remove door handle seal screw front. Move to opposite side of refrigerator door as shown in Graphic 5 or 6, depending on your style.
3. Remove the door stop. Move it to the opposite side of the refrigerator door as shown in Graphic 3 or 4, depending on your style.
4. Attach the refrigerator handle to the opposite side of the refrigerator door. Replace the handle trim as shown in Graphic 2.
5. Tighten all screws. Set aside the door until hinges and freezer compartment door or drawer are in place.

Freezer door

1. Remove freezer handle assembly as shown. Keep all parts together. See Graphic 5-1.
2. Remove freezer door handle seal screw. Move to opposite side of freezer door.
3. Remove door stop. Move to opposite side of freezer door as shown. See Graphic 4.
4. Attach handle to opposite side of freezer door.
5. Tighten all screws. Set aside door until bottom hinge is installed on product.

Replace Door(s) and Hinges

Style 1

1. Replace the parts for the bottom hinge as shown. Tighten screws. Replace the freezer door.
NOTE: Provide additional support for the door while the hinges are being moved. Do not depend on the door gasket magnets to hold the door in place while you are working.
2. Assemble the parts for the center hinge as shown in the Center Hinge graphic, and tighten all the screws. Replace the refrigerator door.
3. Assemble the parts for the top hinge as shown in the Top Hinge graphic. Do not tighten the screws completely.
4. Adjust the doors so that the bottom of the refrigerator door is aligned with the top of the freezer door. Tighten all screws.

Style 2

1. Replace the parts for the bottom hinge as shown. Tighten screws.
NOTE: Provide additional support for the door while the hinges are being moved. Do not depend on the door gasket magnets to hold the door in place while you are working.
2. Assemble the parts for the top hinge as shown in Top Hinge graphic. Do not tighten screws completely.
3. Adjust the door so that the bottom of the refrigerator door is aligned with the top of the freezer drawer. Tighten all screws.

Remove and Replace Freezer Drawer

IMPORTANT: Two people may be required to remove and replace the freezer drawer. All graphics are included later in this section after "Final Steps."

Remove Drawer Front

1. Open the freezer drawer to full extension.
2. Loosen the four screws attaching the drawer glides to the drawer front. See Drawer Front Removal graphic.
NOTE: Loosen screws three to four turns. Keep the screws in the drawer front.
3. Lift drawer front upward and off the screws. See Drawer Front Removal graphic.

Replace Drawer Front

1. Slide the drawer glides out of the freezer compartment. Insert the screws in the top of the drawer front into the slots in the drawer brackets. See Drawer Front Replacement graphic.
2. Pull the drawer brackets toward you to insert the two screws in the bottom of the drawer front into the brackets. See Drawer Front Replacement graphic.
3. Completely tighten the four screws.

Final Steps

1. Check all holes to make sure that hole plugs and screws are in place. Reinstall top hinge cover as shown in Top Hinge graphic.

⚠ WARNING



Electrical Shock Hazard

Plug into a grounded 3 prong outlet.

Do not remove ground prong.

Do not use an adapter.

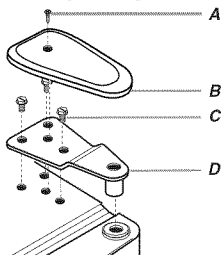
Do not use an extension cord.

Failure to follow these instructions can result in death, fire, or electrical shock.

2. Plug into a grounded 3 prong outlet.
3. Return all removable door parts to door and food to refrigerator.

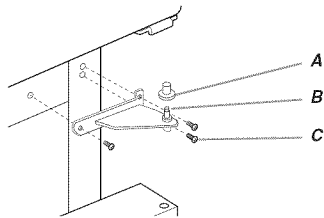
Door Removal & Replacement

Top Hinge



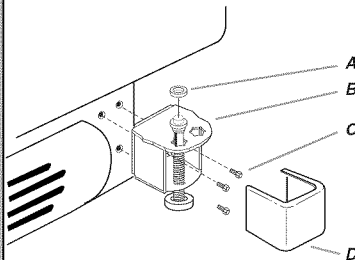
- A. Hinge Cover Screw
- B. Top Hinge Cover
- C. 5/16" Hex-Head Hinge Screws
- D. Top Hinge

Center Hinge



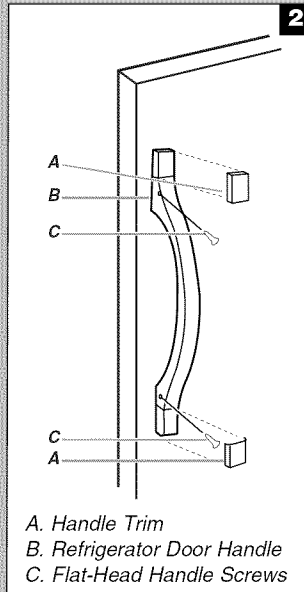
- A. Hinge Pin Cover
- B. Center Hinge
- C. Hinge Screws

Bottom Hinge

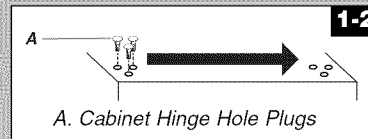


- A. Hinge Pin Shim (on some models)
- B. Bottom Hinge
- C. 3/8" Hex-Head Hinge Screws
- D. Bottom Hinge Cover

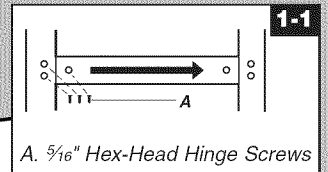
Door Swing Reversal (optional)



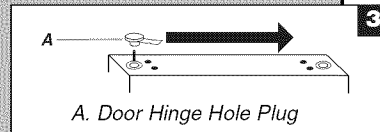
- A. Handle Trim
- B. Refrigerator Door Handle
- C. Flat-Head Handle Screws



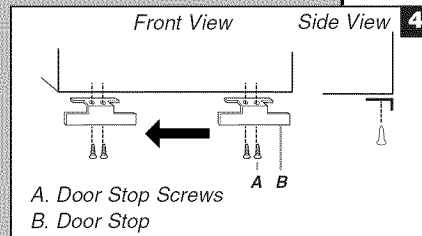
- A. Cabinet Hinge Hole Plugs



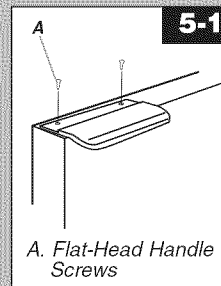
- A. 5/16" Hex-Head Hinge Screws



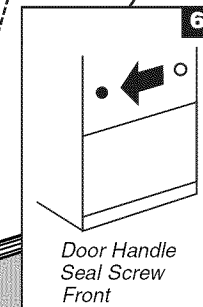
- A. Door Hinge Hole Plug



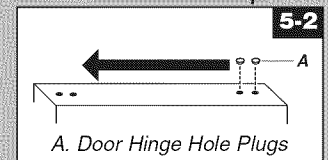
- A. Door Stop Screws
- B. Door Stop



- A. Flat-Head Handle Screws

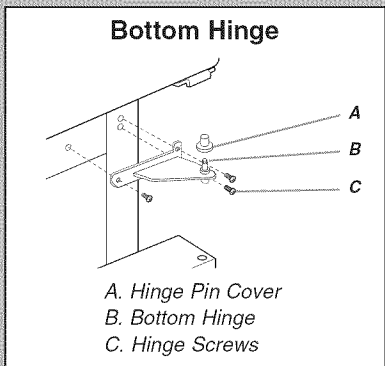
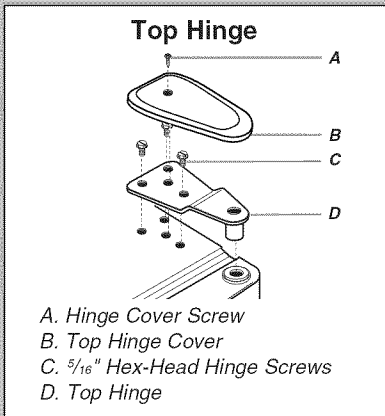


- Door Handle Seal Screw Front

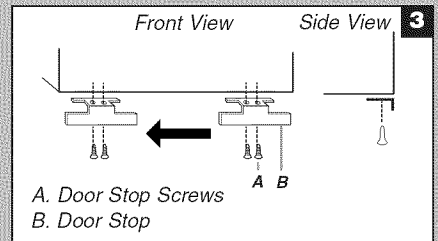
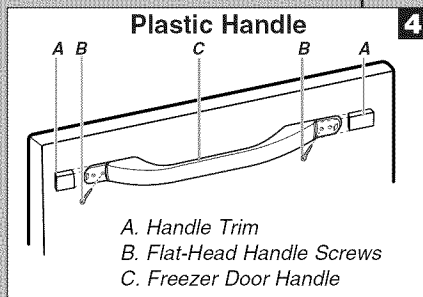
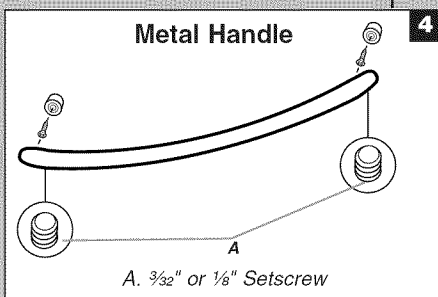
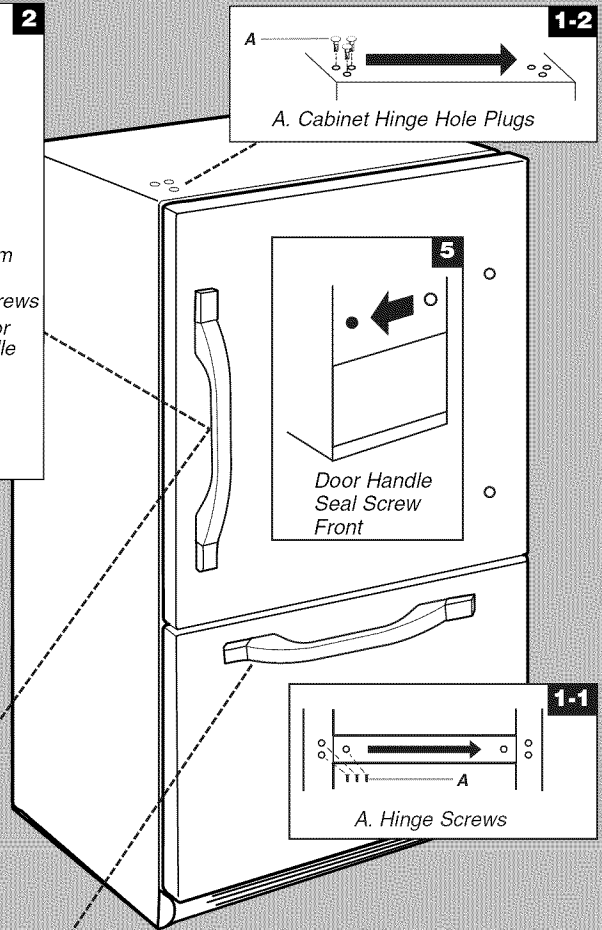
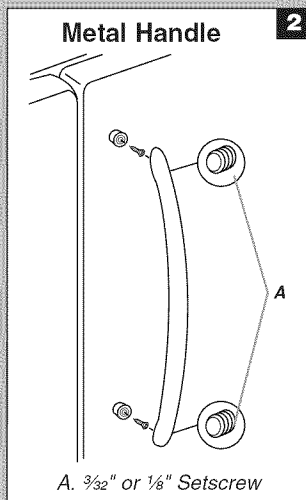
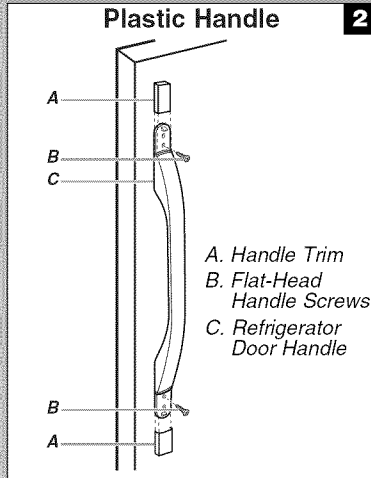


- A. Door Hinge Hole Plugs

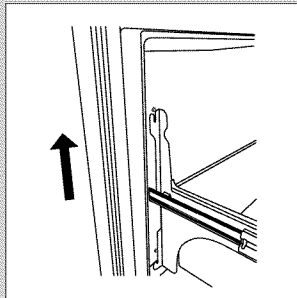
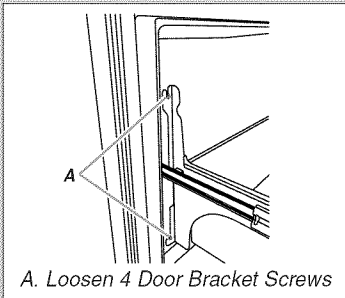
Door Removal & Replacement



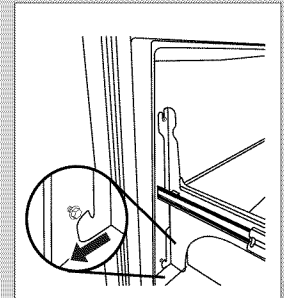
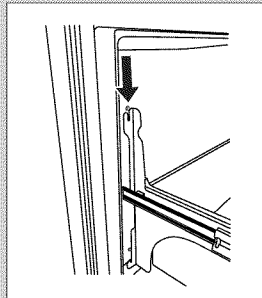
Door Swing Reversal (optional)



Drawer Front Removal



Drawer Front Replacement

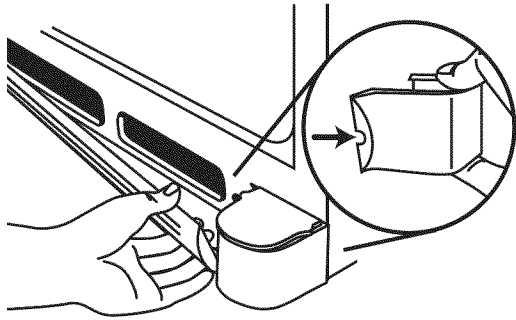


Adjust the Door

Your refrigerator has two front adjustable rollers located at the base of the refrigerator. If your refrigerator seems unsteady or you want the door to close more easily, use the instructions below.

Style 1—Freezer Door Models

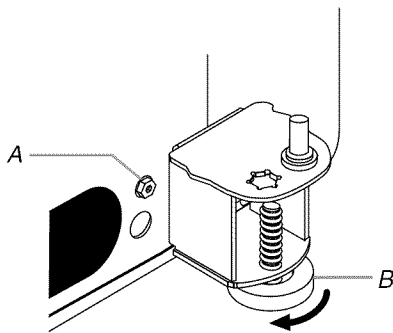
1. Remove the base grille. Grasp the grille firmly and pull it toward you.
2. Remove the bracket cover. Insert the eraser end of a pencil in the cover notch. Apply slight downward pressure to the notched side of the cover while swinging it off.



3. Using a screwdriver or $\frac{3}{8}$ " hex driver, turn the roller adjustment screw on each side to raise or lower that side of the refrigerator.

NOTE: Having someone push against the top of the refrigerator takes some weight off the adjustment screws and rollers. This makes it easier to turn the screws. It may take several turns of the roller adjustment screw to adjust the tilt of the refrigerator.

- To raise, turn the roller adjustment screw to the right.
 - To lower, turn the roller adjustment screw to the left.
4. Turn the brake foot clockwise until it is firmly against the floor to keep the refrigerator from rolling forward when the freezer door is pulled open.

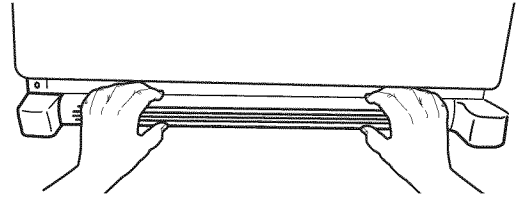


A. Roller adjustment screw
B. Brake foot

5. Open the door again to make sure that it closes as easily as you like. If not, tilt the refrigerator slightly more to the rear by turning both roller adjustment screws to the right. It may take several more turns, and you should turn both adjustment screws the same amount.
6. Replace the bracket cover. Place the bracket cover into the outer edge, swing the cover toward the cabinet and snap it into place.
7. Replace the base grille.

Style 2—Freezer Drawer Models

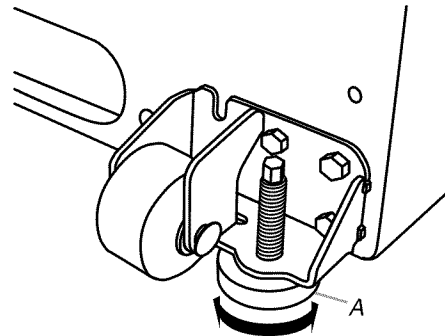
1. Remove the base grille. Grasp the grille firmly and pull it toward you.



2. Using a $\frac{1}{4}$ " hex driver, turn the leveling screw on each side to raise or lower that side of the refrigerator.

NOTE: Having someone push against the top of the refrigerator takes some weight off the leveling screws. This makes it easier to turn the screws. It may take several turns of the leveling screw to adjust the tilt of the refrigerator.

- To raise, turn the leveling screw clockwise.
- To lower, turn the leveling screw counterclockwise.



A. Leveling screw

3. Open the door again to make sure that it closes as easily as you like. If not, tilt the refrigerator slightly more to the rear by turning both leveling screws clockwise. It may take several more turns, and you should turn both screws the same amount.
4. Replace the base grille.

REFRIGERATOR USE

Using the Controls

The temperature controls are located at the top front of the refrigerator or freezer compartments.

IMPORTANT:

- When the power is on, the temperature display shows the actual temperature of the compartment.
- Wait 24 hours for your refrigerator to cool completely before adding food. If you add food before the refrigerator has cooled completely, your food may spoil.

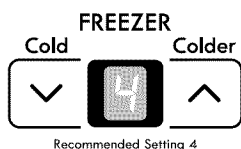
NOTE: Adjusting the refrigerator and freezer temperature controls to a colder than recommended setting will not cool the compartments any faster.

- The recommended settings should be correct for normal household refrigerator use. The controls are set correctly when milk or juice is as cold as you like and when ice cream is firm.
- If the temperature is too warm or too cold in the refrigerator or freezer, first check the air vents to be sure they are not blocked before adjusting the controls.

Temperature Controls

For your convenience, the temperature controls are preset at the factory. When you first install your refrigerator, make sure the controls are still set to the recommended setting as shown.

Recommended Setting "4"



7 is Coldest



To Turn Off/On:

Press the freezer down arrow touch pad until a dash (-) appears in both the refrigerator and freezer displays. Neither compartment will cool.

Adjusting Controls

If you need to adjust the temperature in either the refrigerator or freezer compartment, use the settings listed in the chart below as a guide.

Press the up or down arrow touch pads to adjust the temperature. Except when starting the refrigerator, do not adjust either control more than one setting at a time. Wait 24 hours between adjustments for the temperature to stabilize.

CONDITION/REASON:	ADJUSTMENT:
REFRIGERATOR too warm	REFRIGERATOR Control one setting higher
FREEZER too warm/too little ice	FREEZER Control one setting higher
REFRIGERATOR too cold	REFRIGERATOR Control one setting lower
FREEZER too cold	FREEZER Control one setting lower

REFRIGERATOR FEATURES

Your model may have some or all of these features.

Important information to know about glass shelves and covers:

Do not clean glass shelves or covers with warm water when they are cold. Shelves and covers may break if exposed to sudden temperature changes or impact, such as bumping. Tempered glass is designed to shatter into many small, pebble-size pieces. This is normal. Glass shelves and covers are heavy. Use both hands when removing them to avoid dropping.

Refrigerator Shelves

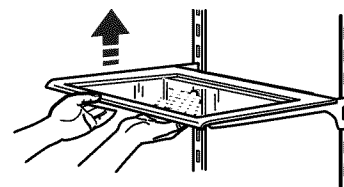
The shelves in your refrigerator are adjustable to meet your individual storage needs.

Storing similar food items together in your refrigerator and adjusting the shelves to fit different heights of items will make finding the exact item you want easier. It will also reduce the amount of time the refrigerator door is open, and save energy.

Shelves and Shelf Frames

To remove and replace a shelf/shelf frame:

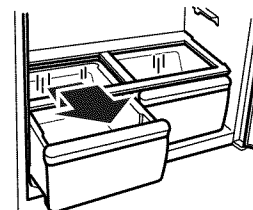
1. Remove the shelf/frame by tilting it up at the front and lifting it out of the shelf supports.
2. Replace the shelf/frame by guiding the rear shelf hooks into the shelf supports. Tilt the front of the shelf up until rear shelf hooks drop into the shelf supports.
3. Lower the front of the shelf and make sure that the shelf is in position.



Crisper and Crisper Cover

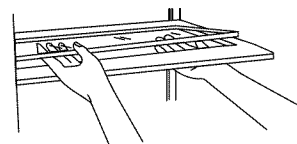
To remove and replace the crisper(s):

1. Slide crisper(s) straight out to the stop. Lift the front of the crisper(s) and slide out the rest of the way.
2. Replace the crisper(s) by sliding back in fully past the drawer stop.



To remove the crisper(s) cover:

1. Remove crisper(s).
2. Holding the glass insert firmly with one hand, press up in center of glass insert until it rises above the plastic frame. Gently slide the glass insert forward to remove.
3. Lift the cover frame up and remove it.



To replace crisper(s) cover:

1. Fit back of cover frame into supports on side walls of the refrigerator and lower the front of the cover frame into place.
2. Slide rear of glass insert into cover frame and lower front into place.

Crisper Humidity Control

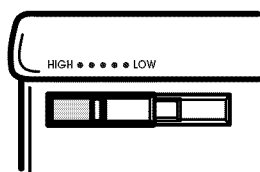
You can control the amount of humidity in the moisture-sealed crisper. Adjust the control to any setting between LOW and HIGH.

LOW (open) lets moist air out of the crisper for best storage of fruits and vegetables with skins.

- **Fruit:** Wash, let dry and store in refrigerator in plastic bag or crisper. Do not wash or hull berries until they are ready to use. Sort and keep berries in original container in crisper, or store in a loosely closed paper bag on a refrigerator shelf.
- **Vegetables with skins:** Place in plastic bags or plastic container and store in crisper.

HIGH (closed) keeps moist air in the crisper for best storage of fresh, leafy vegetables.

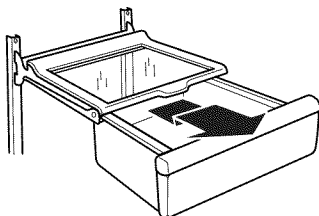
- **Leafy vegetables:** Wash in cold water, drain and trim or tear off bruised and discolored areas. Place in plastic bag or plastic container and store in crisper.



Snack Drawer

To remove and replace the snack drawer:

1. Pull drawer out to full extension. Tilt up front of drawer and pull straight out.
2. Replace the snack drawer by inserting the drawer into the frame rails and push the drawer back into place.



Meat Storage Guide

Store most meat in original wrapping as long as it is airtight and moisture-proof. Rewrap if necessary. See the following chart for storage times. When storing meat longer than the times given, freeze the meat.

Fresh fish or shellfish..... use same day as purchased
Chicken, ground beef, variety meats (liver).....1-2 days
Cold cuts, steaks/roasts.....3-5 days
Cured meats7-10 days
Leftovers - Cover leftovers with plastic wrap, aluminum foil, or plastic containers with tight lids.

FREEZER FEATURES

Your model may have some or all of these features.

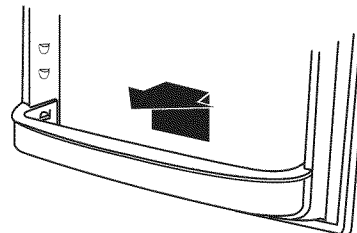
Freezer Door Shelf

(on some models)

Convenient storage for smaller frozen food items.

To remove and replace the shelf:

1. Remove the shelf by sliding it up and pulling it straight out.
2. Replace the shelf by sliding it in above the desired support and pushing it down until it stops.



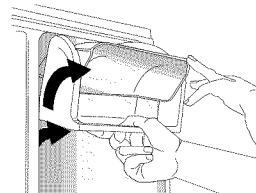
DOOR FEATURES

Your model may have some or all of these features.

Dairy Center

To remove and replace the dairy center:

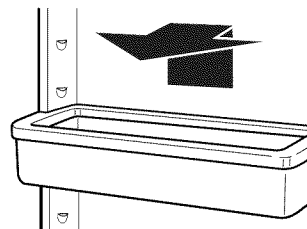
1. Remove the dairy center by raising and holding the cover up while lifting the dairy center up and pulling it straight out.
2. Replace the dairy center by sliding it in above the desired support and pushing it down until it stops.



Door Bins

To remove and replace the bins:

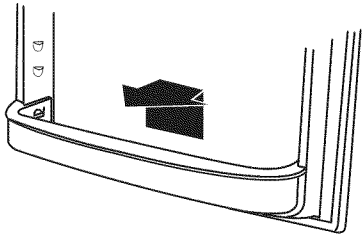
1. Remove the bin by lifting it up and pulling it straight out.
2. Replace the bin by sliding it in above the desired support and pushing it down until it stops.



Full-Width Door Shelf

To remove and replace the shelf:

1. Remove the shelf by sliding it up and pulling it straight out.
2. Replace the shelf by sliding it in above the desired support and pushing it down until it stops.



REFRIGERATOR CARE

Cleaning

⚠ WARNING



Explosion Hazard

Use nonflammable cleaner.

Failure to do so can result in death, explosion, or fire.

Both the refrigerator and freezer sections defrost automatically. However, clean both sections about once a month to avoid buildup of odors. Wipe up spills immediately.

IMPORTANT: Because air circulates between both sections, any odors formed in one section will transfer to the other. You must thoroughly clean both sections to eliminate odors. To avoid odor transfer and drying out of food, wrap or cover foods tightly.

To Clean Your Refrigerator:

NOTE: Do not use abrasive or harsh cleaners such as window sprays, scouring cleansers, flammable fluids, cleaning waxes, concentrated detergents, bleaches or cleansers containing petroleum products on plastic parts, interior and door liners or gaskets. Do not use paper towels, scouring pads, or other harsh cleaning tools.

1. Unplug refrigerator or disconnect power.
2. Hand wash, rinse, and dry removable parts and interior surfaces thoroughly. Use a clean sponge or soft cloth and a mild detergent in warm water.

3. Wash stainless steel and painted metal exteriors with a clean sponge or soft cloth and a mild detergent in warm water.
 - To keep your stainless steel refrigerator looking like new and to remove minor scuffs or marks, it is suggested that you use the manufacturer's approved Stainless Steel Cleaner and Polish. To order the cleaner, see "Accessories."

IMPORTANT: This cleaner is for stainless steel parts only!

Do not allow the Stainless Steel Cleaner and Polish to come into contact with any plastic parts such as the trim pieces, dispenser covers or door gaskets. If unintentional contact does occur, clean plastic part with a sponge and mild detergent in warm water. Dry thoroughly with a soft cloth.

4. There is no need for routine condenser cleaning in normal home operating environments. If the environment is particularly greasy or dusty, or there is significant pet traffic in the home, the condenser should be cleaned every 2 to 3 months to ensure maximum efficiency.

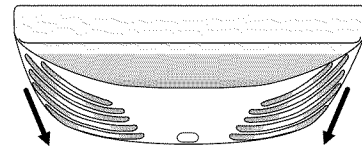
If you need to clean the condenser:

- Remove the base grille.
 - Use a vacuum cleaner with a soft brush to clean the grille, the open areas behind the grille and the front surface area of the condenser.
 - Replace the base grille when finished.
5. Plug in refrigerator or reconnect power.

Changing the Light Bulb

NOTE: Not all appliance bulbs will fit your refrigerator. Be sure to replace the bulb with an appliance bulb of the same size, shape, and wattage (no greater than 40 watts).

1. Unplug the refrigerator or disconnect power.
2. Remove the light shield (on some models).
 - Top of the compartment - Slide the light shield toward the back of the compartment to release it from the light assembly.



3. Replace the burned-out bulb(s) with an appliance bulb(s) no greater than 40 watts.
4. Replace the light shield.
 - Top of the compartment - Insert the tabs on the shield into the liner holes on each side of light assembly. Slide the shield toward the front until it locks into place.

NOTE: To avoid damaging the light shield, do not force the shield beyond the locking point.
5. Plug in refrigerator or reconnect power.

Power Interruptions

If the power will be out for 24 hours or less, keep the door or doors closed (depending on your model) to help food stay cold and frozen.

If the power will be out for more than 24 hours, do one of the following:

- Remove all frozen food and store it in a frozen food locker.
- Place 2 lbs (907 g) of dry ice in the freezer for every cubic foot (28 L) of freezer space. This will keep the food frozen for 2 to 4 days.

- If neither a food locker nor dry ice is available, consume or can perishable food at once.

REMEMBER: A full freezer stays cold longer than a partially filled one. A freezer full of meat stays cold longer than a freezer full of baked goods. If you see that food contains ice crystals, it may be refrozen, although the quality and flavor may be affected. If the condition of the food is poor, dispose of it.

TROUBLESHOOTING

Try the solutions suggested here first in order to avoid the cost of an unnecessary service call.

Refrigerator Operation

The refrigerator will not operate

⚠ WARNING



Electrical Shock Hazard

Plug into a grounded 3 prong outlet.

Do not remove ground prong.

Do not use an adapter.

Do not use an extension cord.

Failure to follow these instructions can result in death, fire, or electrical shock.

- **Power cord unplugged?** Plug into a grounded 3 prong outlet.
- **Is outlet working?** Plug in a lamp to see if the outlet is working.
- **Household fuse blown or circuit breaker tripped?** Replace the fuse or reset the circuit breaker. If the problem continues, call an electrician.
- **Is control on?** Make sure the refrigerator control is on. See "Using the Control(s)."
- **New installation?** Allow 24 hours following installation for the refrigerator to cool completely.

NOTE: Adjusting the temperature control to coldest setting will not cool the refrigerator more quickly.

The motor seems to run too much

Your new refrigerator may run longer than your old one due to its high-efficiency compressor and fans. The unit may run even longer if the room is warm, a large food load is added, the door is opened often, or if the door has been left open.

The refrigerator seems noisy

Refrigerator noise has been reduced over the years. Due to this reduction, you may hear intermittent noises from your new refrigerator that you did not notice from your old model. Below are listed some normal sounds with explanations.

- **Pulsating** - fans/compressor adjusting to optimize performance.
- **Hissing/Rattling** - flow of refrigerant or from items placed on top of the refrigerator.
- **Popping** - contraction/expansion of inside walls, especially during initial cool-down.
- **Water running/dripping** - may be heard when water melts during defrosting and runs into the drain pan.

The door will not close completely

- **Door blocked open?** Move food packages away from door.
- **Bin or shelf in the way?** Push bin or shelf back in the correct position.
- **Crisper cover in the way?** Make sure the crisper cover is fully pushed in, so that the back rests on the supports.

The door is difficult to open

⚠ WARNING



Explosion Hazard

Use nonflammable cleaner.

Failure to do so can result in death, explosion, or fire.

- Gaskets dirty or sticky? Clean gaskets and contact surfaces with mild soap and warm water. Rinse and dry with soft cloth.

Temperature and Moisture

Temperature is too warm

- New installation? Allow 24 hours following installation for the refrigerator to cool completely.
- Door opened often or left open? Allows warm air to enter refrigerator. Minimize door openings and keep door fully closed.
- Large load of food added? Allow several hours for refrigerator to return to normal temperature.
- Control set correctly for the surrounding conditions? Adjust the control a setting colder. Check temperature in 24 hours. See "Using the Control(s)."

There is interior moisture buildup

NOTE: Some moisture buildup is normal.

- Humid room? Contributes to moisture buildup.
- Door opened often or left open? Allows humid air to enter refrigerator. Minimize door openings and keep door fully closed.

PROTECTION AGREEMENTS

Master Protection Agreements

Congratulations on making a smart purchase. Your new Kenmore® product is designed and manufactured for years of dependable operation. But like all products, it may require preventive maintenance or repair from time to time. That's when having a Master Protection Agreement can save you money and aggravation.

The Master Protection Agreement also helps extend the life of your new product. Here's what the Agreement* includes:

- ✓ Parts and labor needed to help keep products operating properly under normal use, not just defects. Our coverage goes well beyond the product warranty. No deductibles, no functional failure excluded from coverage— real protection.

- ✓ Expert service by a force of more than 10,000 authorized Sears service technicians, which means someone you can trust will be working on your product.
- ✓ Unlimited service calls and nationwide service, as often as you want us, whenever you want us.
- ✓ "No-lemon" guarantee – replacement of your covered product if four or more product failures occur within twelve months.
- ✓ Product replacement if your covered product can't be fixed.
- ✓ Annual Preventive Maintenance Check at your request – no extra charge.
- ✓ Fast help by phone – we call it Rapid Resolution – phone support from a Sears representative on all products. Think of us as a "talking owner's manual."
- ✓ Power surge protection against electrical damage due to power fluctuations.
- ✓ \$250 Food Loss Protection annually for any food spoilage that is the result of mechanical failure of any covered refrigerator or freezer.
- ✓ Rental reimbursement if repair of your covered product takes longer than promised.
- ✓ 10% discount off the regular price of any non-covered repair service and related installed parts.

Once you purchase the Agreement, a simple phone call is all that it takes for you to schedule service. You can call anytime day or night, or schedule a service appointment online.

The Master Protection Agreement is a risk free purchase. If you cancel for any reason during the product warranty period, we will provide a full refund. Or, a prorated refund anytime after the product warranty period expires. Purchase your Master Protection Agreement today!

Some limitations and exclusions apply. For prices and additional information in the U.S.A. call 1-800-827-6655.

*Coverage in Canada varies on some items. For full details call Sears Canada at 1-800-361-6665.

Sears Installation Service

For Sears professional installation of home appliances, garage door openers, water heaters, and other major home items, in the U.S.A. or Canada call 1-800-4-MY-HOME®.

ACCESSORIES

Replacement Parts:

To order stainless steel cleaner or replacement filters, call 1-800-4-MY-HOME® and ask for the appropriate part number or contact your authorized Kenmore dealer.

Stainless Steel Cleaner and Polish:

Order Part #D22 M40083 R

Notes

GARANTÍA DE LOS ELECTRODOMÉSTICOS KENMORE

GARANTÍA LIMITADA DE UN AÑO

Cuando este electrodoméstico haya sido instalado, operado y mantenido según las instrucciones provistas con el producto, si este electrodoméstico falla por defectos de material o de mano de obra dentro de un año a partir de la fecha de compra, llame al 1-800-4-MY-HOME® para gestionar la reparación libre de cargo.

Esta garantía sólo tiene vigencia durante 90 días a partir de la fecha de compra si este aparato se ha usado alguna vez para fines diferentes de los privados de una familia.

ESTA GARANTÍA CUBRE SOLAMENTE LOS DEFECTOS DE MATERIAL Y MANO DE OBRA. SEARS NO PAGARÁ POR LO SIGUIENTE:

1. Los artículos no reutilizables que pueden gastarse por el uso normal, incluyendo, pero sin limitación, filtros, correas, focos y bolsas.
2. Un técnico de servicio para enseñarle al usuario cómo instalar, operar o mantener el producto adecuadamente.
3. Un técnico de servicio para limpiar o mantener este producto.
4. Daños a este producto o fallas del mismo en caso de no ser instalado, operado o mantenido conforme a todas las instrucciones provistas con el producto.
5. Daños a este producto o fallas del mismo como resultado de accidente, abuso, uso indebido o un uso diferente de aquel para el cual fue creado.
6. Daños a este producto o fallas del mismo causados por el uso de detergentes, limpiadores, productos químicos o utensilios diferentes de los recomendados en todas las instrucciones provistas con el producto.
7. Daños a piezas o sistemas o fallas de los mismos como resultado de modificaciones no autorizadas que se hayan efectuado en este producto.

EXCLUSIÓN DE GARANTÍAS IMPLÍCITAS; LIMITACIÓN DE RECURSOS

El único y exclusivo recurso del cliente según los términos de esta garantía limitada será el de reparar el producto según se estipula en la presente. Las garantías implícitas, incluyendo las garantías de comerciabilidad o de capacidad para un propósito particular, serán limitadas a un año o al período más corto permitido por ley. Sears no se hará responsable por daños incidentales o consecuentes. Algunos estados y provincias no permiten la exclusión o limitación de daños incidentales o consecuentes, o limitaciones acerca de cuánto debe durar una garantía implícita de comerciabilidad o capacidad, de modo que las limitaciones o exclusiones arriba mencionadas pueden no aplicarse en su caso.

Esta garantía se aplica sólo mientras este electrodoméstico se usa en los Estados Unidos o Canadá.

Esta garantía le otorga derechos legales específicos, y es posible que usted tenga también otros derechos, los cuales varían de un estado a otro.

**Sears Brands Management Corporation
Hoffman Estates, IL 60179**

**Sears Canada Inc.
Toronto, Ontario, Canada M5B 2C3**

REGISTRO DEL PRODUCTO

Anote el número completo de modelo y serie así como la fecha de compra. Usted puede encontrar esta información en la etiqueta con el número de modelo y de serie ubicada en el producto.

Tenga esta información disponible para facilitarle la obtención de asistencia o servicio con prontitud siempre que llame a Sears con respecto a su electrodoméstico.

Número de modelo ____ . ____ . _____

Número de serie _____

Fecha de compra _____

Guarde estas instrucciones y su comprobante de compra para referencia futura.

SEGURIDAD DEL REFRIGERADOR

Su seguridad y la seguridad de los demás es muy importante.

Hemos incluido muchos mensajes importantes de seguridad en este manual y en su electrodoméstico. Lea y obedezca siempre todos los mensajes de seguridad.



Este es el símbolo de advertencia de seguridad.

Este símbolo le llama la atención sobre peligros potenciales que pueden ocasionar la muerte o una lesión a usted y a los demás.

Todos los mensajes de seguridad irán a continuación del símbolo de advertencia de seguridad y de la palabra "PELIGRO" o "ADVERTENCIA". Estas palabras significan:

⚠ PELIGRO

Si no sigue las instrucciones de inmediato, usted puede morir o sufrir una lesión grave.

⚠ ADVERTENCIA

Si no sigue las instrucciones, usted puede morir o sufrir una lesión grave.

Todos los mensajes de seguridad le dirán el peligro potencial, le dirán cómo reducir las posibilidades de sufrir una lesión y lo que puede suceder si no se siguen las instrucciones.

INSTRUCCIONES IMPORTANTES DE SEGURIDAD

ADVERTENCIA: Para reducir el riesgo de incendio, choque eléctrico, o lesiones personales al usar su refrigerador siga estas precauciones básicas:

- Conecte a un contacto de pared de conexión a tierra de 3 terminales.
- No use un adaptador.
- No quite la terminal de conexión a tierra.
- No use un cable eléctrico de extensión.
- Desconecte el suministro de energía antes de darle servicio.
- Vuelva a colocar todos los componentes y paneles antes de hacerlo funcionar.
- Remueva las puertas de su refrigerador viejo.
- Use un limpiador no inflamable.
- Mantenga los materiales y vapores inflamables, tales como gasolina, alejados del refrigerador.
- Use dos o más personas para mover e instalar el refrigerador.
- Desconecte el suministro de energía antes de instalar la fábrica de hielo (en aquellos modelos que incluyen el juego de instalación de la fábrica de hielo).
- Use un vaso resistente para recibir hielo del despachador (en algunos modelos).
- No golpee las puertas de vidrio del refrigerador (en algunos modelos).

CONSERVAR ESTAS INSTRUCCIONES

Cómo deshacerse adecuadamente de su refrigerador viejo

⚠ ADVERTENCIA

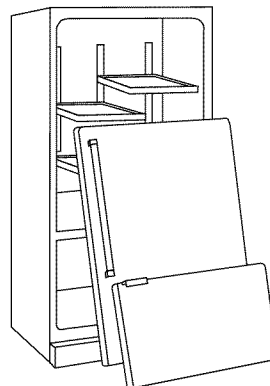
Peligro de Asfixia

Remueva las puertas de su refrigerador viejo.

No seguir esta instrucción puede ocasionar la muerte o daño al cerebro.

Antes de tirar su viejo refrigerador o congelador:

- Saque las puertas.
- Deje los estantes en su lugar, así los niños no pueden meterse adentro con facilidad.



IMPORTANTE: El atrapamiento y asfixia de niños no es un problema del pasado. Los refrigeradores tirados y abandonados son un peligro, aun si van a quedar ahí "por unos pocos días". Si Ud. está por deshacerse de su refrigerador viejo, por favor siga las instrucciones que se dan a continuación para prevenir accidentes.

INSTRUCCIONES DE INSTALACIÓN

Desempaque el refrigerador

⚠️ ADVERTENCIA

Peligro de Peso Excesivo

Use dos o más personas para mover e instalar el refrigerador.

No seguir esta instrucción puede ocasionar una lesión en la espalda u otro tipo de lesiones.

Cómo quitar los materiales de empaque

- Quite los restos de cinta y goma de las superficies de su refrigerador antes de encenderlo. Frote un poco de detergente líquido para vajillas sobre el adhesivo con los dedos. Limpie con agua tibia y seque.
- No use instrumentos filosos, alcohol para fricciones, líquidos inflamables o productos de limpieza abrasivos para eliminar los restos de cinta o goma. Estos productos pueden dañar la superficie de su refrigerador. Para más información, vea "Seguridad del refrigerador".
- Los estantes, recipientes, rieles para los estantes de las puertas y otras partes pueden estar en el Paquete de piezas interior. Siga las instrucciones contenidas en el paquete para lograr un ensamblaje adecuado.
- Deshágase de todos los materiales de embalaje o recíclelos.

Cómo mover su refrigerador:

Su refrigerador es pesado. Cuando mueva el refrigerador para limpiarlo o para darle servicio, cerciórese de cubrir el piso con cartón o madera para evitar daños en el mismo. Al mover el refrigerador, siempre tire directamente hacia afuera. No menee el refrigerador de lado a lado ni lo haga "caminar" cuando lo trate de mover ya que podría dañar el piso.

Limpieza antes del uso

Una vez que usted haya quitado todos los materiales de empaque, limpie el interior de su refrigerador antes de usarlo. Vea las instrucciones de limpieza en "Cuidado de su refrigerador".

Información importante para saber acerca de los estantes y tapas de vidrio:

No limpie los estantes y tapas de vidrio con agua caliente mientras están fríos. Los estantes y tapas pueden romperse si se exponen a cambios bruscos de temperatura o impacto, como sería un golpe brusco. El vidrio templado se ha diseñado para hacerse añicos. Esto es normal. Los estantes y tapas de vidrio son muy pesados. Use ambas manos al sacarlos para evitar que se caigan.

Requisitos de ubicación

⚠️ ADVERTENCIA



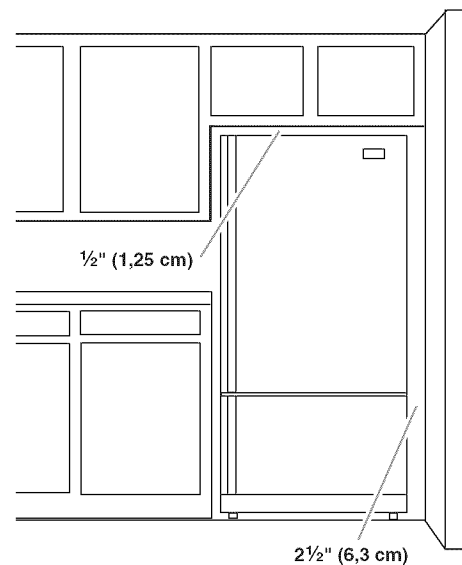
Peligro de Explosión

Mantenga los materiales y vapores inflamables, tales como gasolina, alejados del refrigerador.

No seguir esta instrucción puede ocasionar la muerte, explosión, o incendio.

Para asegurar la adecuada ventilación para su refrigerador, deje un espacio de 1/2" (1,25 cm) a cada lado y por encima. Deje un espacio de 1" (2,54 cm) detrás del refrigerador. Si su refrigerador tiene fábrica de hielo, asegúrese que hay espacio adicional atrás para las conexiones de la línea de agua. Si Ud. instala el refrigerador próximo a una pared fija, deje 2 1/2" (6,3 cm) mínimo del lado de la bisagra (algunos modelos requieren más), para permitir que la puerta se abra completamente.

NOTA: No se recomienda instalar el refrigerador cerca de un horno, radiador u otra fuente de calor. No instale el refrigerador en un lugar donde la temperatura sea menor de 55°F (13°C).



Requisitos eléctricos

⚠ ADVERTENCIA



Peligro de Choque Eléctrico

Conecte a un contacto de pared de conexión a tierra de 3 terminales.

No quite la terminal de conexión a tierra.

No use un adaptador.

No use un cable eléctrico de extensión.

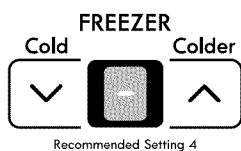
No seguir estas instrucciones puede ocasionar la muerte, incendio o choque eléctrico.

Antes de mover el refrigerador a su ubicación final, es importante asegurarse que tiene la conexión eléctrica adecuada.

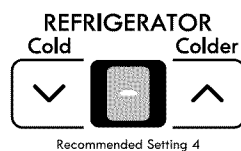
Método de conexión a tierra recomendado

Se requiere una fuente de energía eléctrica de 115 Voltios, 60 Hz., CA solamente y con fusibles de 15 ó 20 amperios, conectada a tierra. Se recomienda que use un circuito separado sólo para su refrigerador. Use un tomacorriente que no se pueda apagar con un interruptor. No use un cable eléctrico de extensión.

NOTA: Antes de realizar cualquier tipo de instalación, limpieza o de quitar un foco de luz, ponga el refrigerador en OFF (Apagado). Presione la flecha hacia abajo del congelador (FREEZER) hasta que aparezca un guión (-) en la pantalla del congelador y la del refrigerador, como se muestra. Desconecte el refrigerador de la fuente de suministro eléctrico. Cuando haya terminado, reconecte el refrigerador a la fuente de energía eléctrica y vuelva a poner los controles de temperatura en la posición deseada. Vea "Uso de los controles".



7 is Coldest



Puerta(s) y cajón del refrigerador

HERRAMIENTAS NECESARIAS: Llaves de cubo de cabeza hexagonal de 5/16", 3/8" y 1/4", destornillador Phillips N° 2 y un destornillador de hoja plana.

IMPORTANTE:

- Su refrigerador tiene una puerta estándar con una puerta para el congelador (Estilo 1) o un cajón del congelador (Estilo 2). Siga las instrucciones que sean específicas para su modelo.
- Todas las ilustraciones a las que se hace referencia en las siguientes instrucciones se incluyen más adelante en esta sección después de "Pasos finales". Las ilustraciones muestran un refrigerador con sentido de apertura hacia la derecha (bisagras instaladas de fábrica a la derecha).
- Si usted sólo quiere quitar las puertas y volverlas a colocar, vea las secciones "Cómo quitar la(s) puerta(s) y las bisagras" y "Cómo volver a poner la(s) puerta(s) y las bisagras en su lugar".
- Antes de comenzar, gire el control del refrigerador a Apagado (OFF), saque los alimentos y la puerta regulable o los recipientes de uso general de las puertas.

Cómo quitar y volver a colocar la puerta del refrigerador y del congelador o las manijas del cajón.

Estilo 1 – Puerta de refrigerador con puerta de congelador

Puerta del refrigerador

- Para quitar la manija, jale las piezas de adorno de los extremos de la manija para quitarlas. Saque los tornillos de la manija con un destornillador Phillips. Asegúrese de guardar los tornillos para reinstalar las manijas. Vea la Ilustración 2.
- Para volver a colocar la manija, alinéela en la puerta o el cajón, como se muestra. Con un destornillador Phillips, sujete la manija con los tornillos para manija. Encaje a presión las piezas de adorno en el extremo de la manija.

Puerta del congelador

- Para sacar la manija, quite los 2 tornillos que sujetan la manija a la parte superior de la puerta. Vea la ilustración 5-1.
- Para volver a colocar la manija, alinee los orificios en la misma con los orificios en la puerta. Inserte un tornillo en cada uno de los orificios. Apriete los tornillos.

Estilo 2 – Puerta de refrigerador con puerta de congelador

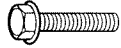
Manijas metálicas

- Para quitar la manija, use una llave Allen de 3/32" ó 1/8" para aflojar los dos tornillos opresores ubicados al costado de cada manija. Jale la manija directamente hacia fuera de la puerta o el cajón. Asegúrese de guardar los tornillos para reinstalar las manijas. Vea las ilustraciones de Manija metálica 2 y 4.
- Para volver a colocar las manijas, invierta las instrucciones.

Manijas de plástico

- Para quitar la manija, deslice las piezas de adorno de los extremos de la manija y levántelas para quitarlas. Saque los tornillos de la manija con un destornillador Phillips. Asegúrese de guardar los tornillos para reinstalar las manijas. Vea las ilustraciones de Manija de plástico 2 y 4.
- Para volver a colocar la manija, alinéela en la puerta o el cajón, como se muestra. Con un destornillador Phillips, sujete la manija con los tornillos para manija. Con su mano, presione firmemente el frente del adorno y deslice cada pieza de adorno hacia el centro de la manija.

Cómo quitar la(s) puerta(s) y las bisagras



Tornillo para bisagra superior de cabeza hexagonal de 5/16"

Estilo 1

1. Desenchufe el refrigerador o desconecte el suministro de energía.
2. Mantenga la puerta del congelador cerrada hasta que esté listo para levantarla y quitarla de la carcasa.
NOTA: Mientras quita las bisagras siempre disponga de un soporte adicional para la puerta. No se confíe en que los imanes de la junta de las puertas van a sostener la puerta en su lugar mientras trabaja.
3. Quite los componentes de la bisagra superior como se muestra en la ilustración Bisagra superior. Levante y quite la puerta del refrigerador de la carcasa.
4. Saque el pasador central de la bisagra y los tornillos de la bisagra, como se muestra en la ilustración Bisagra central. Levante y quite la puerta del congelador de la carcasa.

Estilo 2

1. Desenchufe el refrigerador o desconecte el suministro de energía.
2. Mantenga la puerta del refrigerador cerrada hasta que esté listo para levantarla y quitarla de la carcasa.
NOTA: Mientras quita las bisagras siempre disponga de un soporte adicional para la puerta. No se confíe en que los imanes de la junta de las puertas van a sostener la puerta en su lugar mientras trabaja.
3. Quite los componentes de la bisagra superior como se muestra en la ilustración Bisagra superior. Levante y quite la puerta del refrigerador de la carcasa.
4. Saque los componentes de la bisagra inferior, como se muestra en la ilustración Bisagra inferior.

Cambio del sentido de apertura de la(s) puerta(s) (opcional)

IMPORTANTE: Siga estas instrucciones si desea que la puerta se abra en el sentido opuesto. Si no desea cambiar el sentido de apertura de la puerta, vea "Cómo volver a poner la(s) puerta(s) y las bisagras en su lugar".



Tornillo del retén de la puerta



Tornillo sellador frontal de la manija de la puerta



Tornillo de cabeza plana para la manija



Tapón del orificio de la bisagra de la carcasa

Carcasa

1. Quite los tornillos de la bisagra del lado de la manija y colóquelos del lado opuesto. Vea la ilustración 1-1.
2. Quite los tapones de los orificios de las bisagras de la parte superior de la carcasa y colóquelos en los orificios de la bisagra del lado opuesto, como se muestra en la Ilustración 1-2.

Puerta del refrigerador

1. Saque el ensamblaje de la manija del refrigerador, como se muestra en la Ilustración 2. Mantenga juntos todos los componentes.
2. Quite el tornillo sellador frontal de la manija de la puerta. Colóquelo del lado opuesto de la puerta del refrigerador como se indica en la Ilustración 5 ó 6, según el estilo.
3. Quite el retén de la puerta. Colóquelo del lado opuesto de la puerta del refrigerador, como se indica en la Ilustración 3 ó 4, según el estilo.
4. Coloque la manija del refrigerador en el lado opuesto de la puerta del mismo. Vuelva a colocar el adorno de la manija, como se muestra en la Ilustración 2.
5. Apriete todos los tornillos. Ponga la puerta a un lado hasta que las bisagras y el cajón o la puerta del compartimiento del congelador estén en su sitio.

Puerta del congelador

1. Quite el ensamblaje de la manija del congelador como se indica. Conserve juntos todos los componentes. Vea la ilustración 5-1.
2. Quite el tornillo sellador de la manija de la puerta. Muévelo hacia el lado opuesto de la puerta del congelador.
3. Quite el retén de la puerta. Colóquelo del lado opuesto de la puerta del congelador, como se indica. Vea la Ilustración 4.
4. Sujete la manija en el lado opuesto de la puerta del congelador.
5. Apriete todos los tornillos. Ponga la puerta a un lado hasta que se haya instalado la bisagra inferior en el producto.

Cómo volver a poner la(s) puerta(s) y las bisagras en su lugar

Estilo 1

1. Vuelva a poner los componentes de la bisagra inferior en su sitio como se indica. Apriete los tornillos. Vuelva a poner en su lugar la puerta del congelador.

NOTA: Mientras quita las bisagras siempre disponga de un soporte adicional para la puerta. No se confíe en que los imanes de la junta de la puerta van a sostener la misma en su lugar mientras trabaja.

2. Ensamble los componentes de la bisagra central, como se indica en la ilustración Bisagra central, y atornille todos los tornillos. Vuelva a poner en su lugar la puerta del refrigerador.
3. Ensamble los componentes de la bisagra superior, como se muestra en la ilustración Bisagra superior. No apriete completamente los tornillos.
4. Ajuste las puertas de modo que la base de la puerta del refrigerador esté alineada con la parte superior de la puerta del congelador. Apriete todos los tornillos.

Estilo 2

1. Vuelva a poner los componentes de la bisagra inferior en su sitio como se indica. Apriete los tornillos.
NOTA: Mientras quita las bisagras siempre disponga de un soporte adicional para la puerta. No se confíe en que los imanes de la junta de las puertas van a sostener la puerta en su lugar mientras trabaja.
2. Ensamble los componentes de la bisagra superior, como se muestra en la ilustración Bisagra superior. No atornille completamente los tornillos.
3. Ajuste la puerta de modo que la base de la puerta del refrigerador esté alineada con la parte superior del cajón del congelador. Apriete todos los tornillos.

Cómo quitar y volver a colocar el cajón del congelador

IMPORTANTE: Tal vez se necesiten dos personas para quitar y volver a colocar el cajón del congelador. Todas las ilustraciones se incluyen en esta sección, más adelante, después de "Pasos finales".

Para quitar el frente del cajón

1. Abra el cajón del congelador en toda su extensión.
2. Afloje los cuatro tornillos que sujetan las guías del cajón al frente del cajón. Vea la ilustración Remoción del frente del cajón.
NOTA: Afloje los tornillos girándolos tres o cuatro veces. Mantenga los tornillos en el frente del cajón.
3. Levante el frente del cajón hacia arriba y fuera de los tornillos. Vea la ilustración Remoción del frente del cajón.

Para volver a colocar el frente del cajón

1. Deslice las guías fuera del compartimiento del congelador. Inserte los tornillos en la parte superior del frente del cajón, dentro de las ranuras que están en los soportes del cajón. Vea la ilustración Cómo volver a colocar el frente del cajón.
2. Jale los soportes del cajón hacia usted para colocar los dos tornillos en la base del frente del cajón, dentro de los soportes. Vea la ilustración Cómo volver a colocar el frente del cajón.
3. Apriete por completo los cuatro tornillos.

Pasos finales

1. Revise todos los orificios para cerciorarse que los tapones de los orificios y los tornillos estén en su lugar. Vuelva a colocar la tapa de la bisagra superior, como se muestra en la ilustración Bisagra superior.

⚠ ADVERTENCIA



Peligro de Choque Eléctrico

Conecte a un contacto de pared de conexión a tierra de 3 terminales.

No quite la terminal de conexión a tierra.

No use un adaptador.

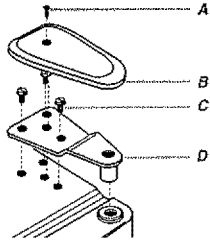
No use un cable eléctrico de extensión.

No seguir estas instrucciones puede ocasionar la muerte, incendio o choque eléctrico.

2. Conecte a un contacto de pared de conexión a tierra de 3 terminales.
3. Regrese todas las partes removibles a la puerta y la comida al refrigerador.

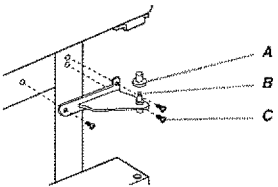
Cómo quitar y volver a poner la puerta en su lugar

Bisagras superiores



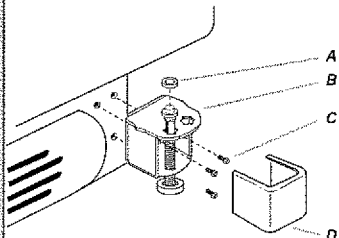
- A. Tornillo para la cubierta de la bisagra
- B. Cubierta de la bisagra superior
- C. Tornillos de cabeza hexagonal para bisagra de 3/16"
- D. Bisagra superior

Bisagra central



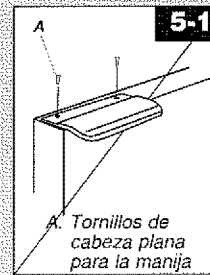
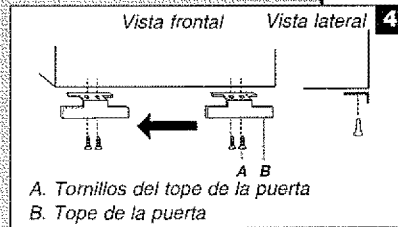
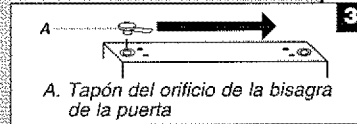
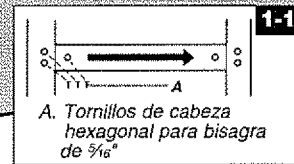
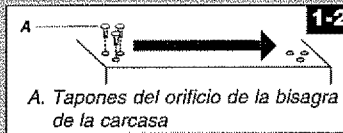
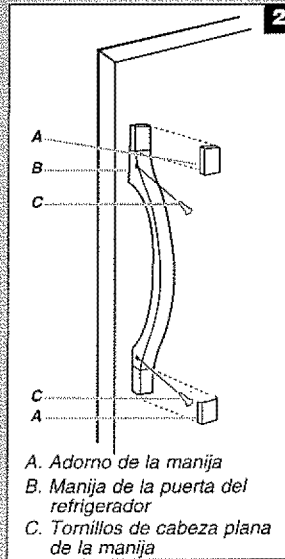
- A. Cubierta del pasador de la bisagra
- B. Bisagra central
- C. Tornillos para bisagra

Bisagra inferior

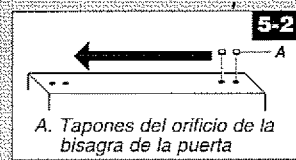


- A. Calza del pasador de la bisagra (en algunos modelos)
- B. Bisagra inferior
- C. Tornillos de cabeza hexagonal para bisagra de 3/16"
- D. Cubierta de la bisagra inferior

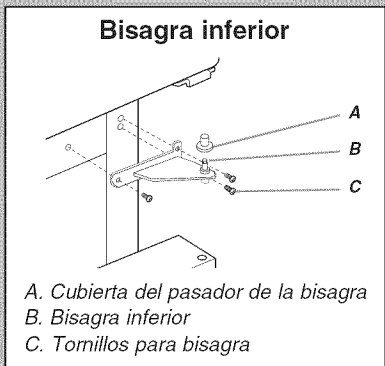
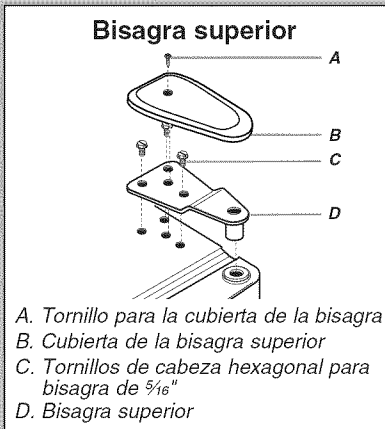
Cambio del sentido de apertura de las puertas (opcional)



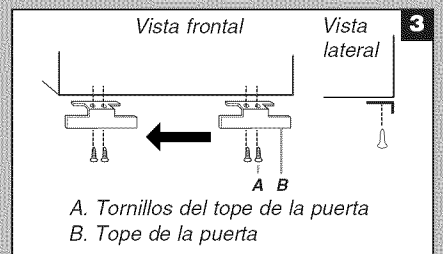
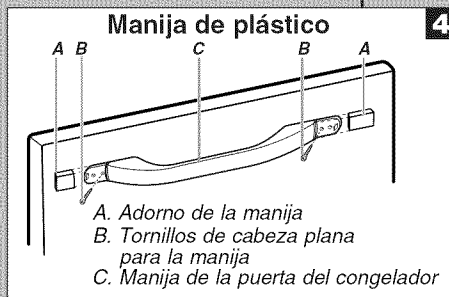
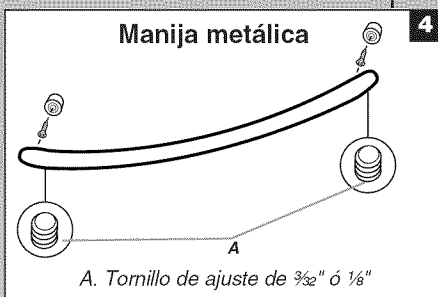
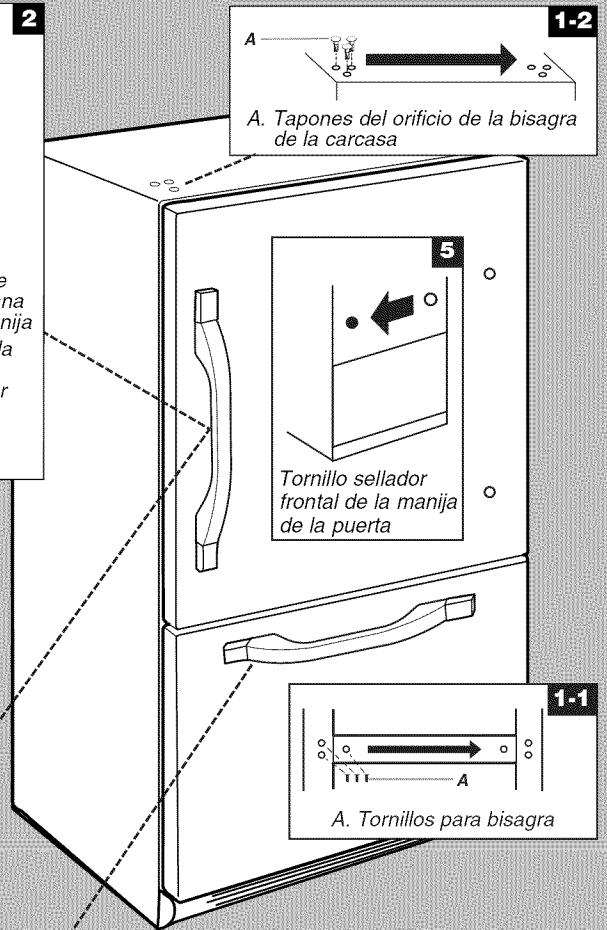
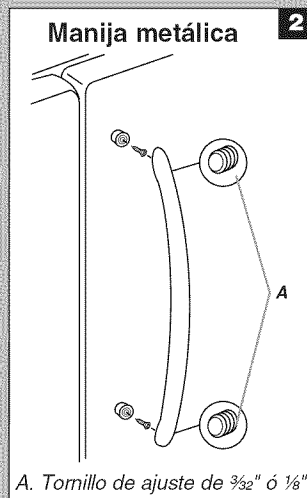
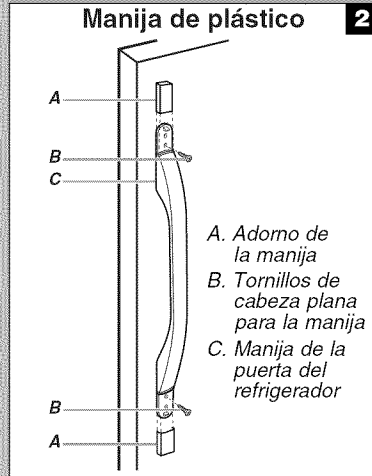
Tornillo sellador frontal de la manija de la puerta



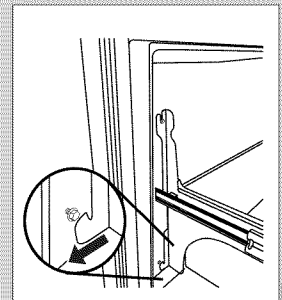
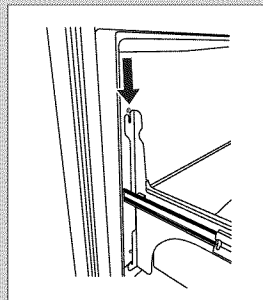
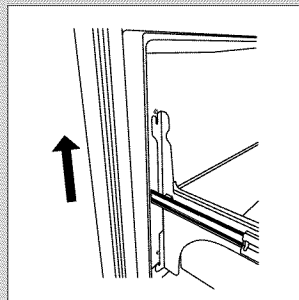
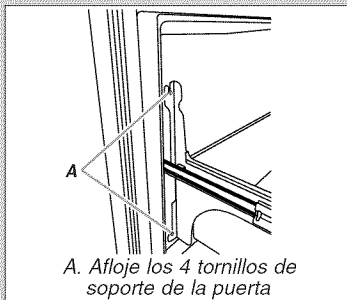
Cómo quitar y volver a poner la puerta en su lugar



Cambio del sentido de apertura de las puertas (opcional)



Cómo quitar el frente del cajón



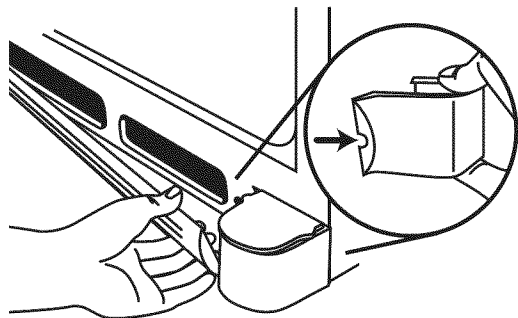
Cómo volver a colocar el frente del cajón

Ajuste la puerta

Su refrigerador puede tener dos rodillos frontales regulables ubicados en la base del refrigerador. Si su refrigerador parece poco firme o si usted desea que la puerta se cierre con más facilidad, siga las instrucciones a continuación.

Estilo 1—Modelos de congelador con puerta

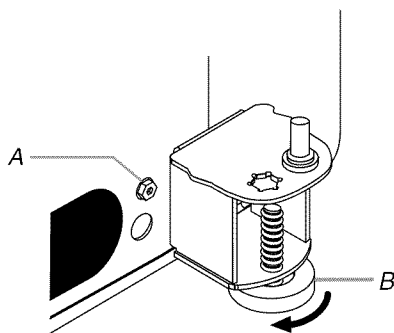
1. Quite la rejilla de la base. Tome la rejilla con firmeza y jálela hacia usted.
2. Quite la cubierta del soporte. Inserte el extremo con borrador de un lápiz en la muesca de la cubierta. Aplique una presión ligera hacia abajo, hacia el lado con muesca de la cubierta, mientras la gira para sacarla.



3. Con un destornillador común o uno hexagonal de $\frac{3}{8}$ " , gire el tornillo regulador del rodillo que está a cada lado, para levantar o bajar ese lado del refrigerador.

NOTA: Haga que alguien empuje la parte superior del refrigerador, lo cual quita el peso de los tornillos reguladores y los rodillos. Esto facilita el giro de los tornillos. Puede precisar darle varias vueltas al tornillo regulador para ajustar la inclinación del refrigerador.

- Para levantarlo, gire el tornillo regulador del rodillo hacia la derecha.
 - Para bajarlo, gire el tornillo regulador del rodillo hacia la izquierda.
4. Gire el pie del freno hacia la derecha hasta que quede firmemente contra el piso, para evitar que el refrigerador ruede hacia delante cuando se jale la puerta del congelador para abrirla.

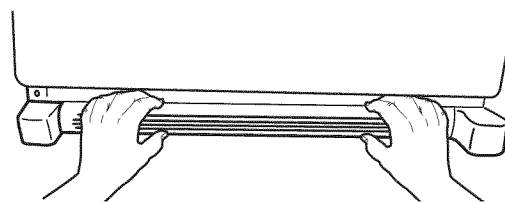


A. Tornillo regulador del rodillo
B. Pie de freno

5. Abra la puerta nuevamente para verificar que se cierra con la facilidad que usted desea. De lo contrario, incline el refrigerador ligeramente más hacia la parte posterior, girando ambos tornillos reguladores hacia la derecha. Puede tomar varias vueltas más, y usted deberá girar ambos tornillos la misma cantidad de veces.
6. Vuelva a colocar la cubierta del soporte. Coloque la cubierta del soporte en el borde exterior, gire la cubierta hacia la carcasa y encájela a presión en su lugar.
7. Vuelva a colocar la rejilla de la base.

Estilo 2—Modelos con congelador de cajón

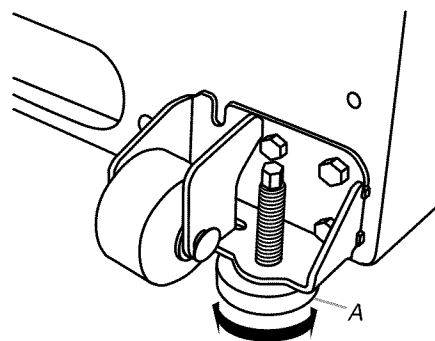
1. Quite la rejilla de la base. Tome la rejilla con firmeza y jálela hacia usted.



2. Con un destornillador hexagonal de $\frac{1}{4}$ " , gire el tornillo nivelador que está a cada lado, para levantar o bajar ese lado del refrigerador.

NOTA: Para quitar un poco de peso de los tornillos niveladores, haga que alguien empuje la parte superior del refrigerador. Esto facilita el giro de los tornillos. Puede precisar darle varias vueltas al tornillo nivelador para ajustar la inclinación del refrigerador.

- Para levantar, gire el tornillo nivelador hacia la derecha.
- Para bajar, gire el tornillo nivelador hacia la izquierda.



A. Tornillo nivelador

3. Abra la puerta nuevamente para verificar que se cierra con la facilidad que usted desea. De lo contrario, incline el refrigerador ligeramente más hacia la parte posterior, girando ambos tornillos niveladores hacia la derecha. Puede tomar varias vueltas más, y usted deberá girar ambos tornillos la misma cantidad de veces.
4. Vuelva a colocar la rejilla de la base.

USO DE SU REFRIGERADOR

Uso de los controles

Los controles de temperatura están ubicados al frente, en la parte superior de los compartimientos del refrigerador o del congelador.

IMPORTANTE:

■ Cuando el refrigerador esté encendido, la pantalla de temperatura muestra la temperatura real del compartimiento.

■ Espere 24 horas para que el refrigerador se enfríe completamente antes de agregar alimentos. Si agrega alimentos antes de que el refrigerador se haya enfriado por completo, sus alimentos podrían echarse a perder.

NOTA: Poner los controles de temperatura del refrigerador y del congelador en un ajuste más frío que el recomendado no enfriará más rápido los compartimientos.

■ Los ajustes recomendados deben ser los correctos para un uso doméstico normal del refrigerador. Los controles están ajustados correctamente cuando la leche o los jugos están tan fríos como Ud. desea y cuando el helado tiene consistencia firme.

■ Si la temperatura está demasiado caliente o demasiado fría en el refrigerador o en el congelador, antes de regular los controles, revise primero los conductos de ventilación para cerciorarse de que no estén obstruidos.

Controles de temperatura

Para su conveniencia, los controles de temperatura vienen prefijados de fábrica. Cuando instale el refrigerador por primera vez, asegúrese de que los controles estén todavía fijados en los ajustes recomendados, como se muestra.

Ajuste recomendado "4"



Para encender/apagar:

Presione el botón con la flecha hacia abajo del congelador hasta que aparezca un guión (-) en las pantallas del refrigerador y del congelador. No se enfriará ningún compartimiento.

Cómo ajustar los controles

Si necesita regular la temperatura en el compartimiento del refrigerador o del congelador, utilice como guía los ajustes que se enumeran en la tabla debajo.

Presione los botones con las flechas hacia arriba o hacia abajo para ajustar la temperatura. No ajuste ningún control de temperatura más de un ajuste por vez, excepto cuando encienda el refrigerador. Espere 24 horas entre los ajustes para que se estabilice la temperatura.

CONDICIÓN/MOTIVO:	AJUSTE:
REFRIGERADOR demasiado caliente	Control del REFRIGERADOR un ajuste más alto
CONGELADOR demasiado caliente/muy poco hielo	Control del CONGELADOR un ajuste más alto
REFRIGERADOR demasiado frío	Control del REFRIGERADOR un ajuste más bajo
CONGELADOR demasiado frío	Control del CONGELADOR un ajuste más bajo

CARACTERÍSTICAS DEL REFRIGERADOR

Su modelo podrá contar con algunas o todas estas características.

Información importante para saber acerca de los estantes y tapas de vidrio:

No limpie los estantes y tapas de vidrio con agua caliente mientras están fríos. Los estantes y tapas pueden romperse si se exponen a cambios bruscos de temperatura o impacto, como sería un golpe brusco. El vidrio templado se ha diseñado para hacerse añicos. Esto es normal. Los estantes y tapas de vidrio son muy pesados. Use ambas manos al sacarlos para evitar que se caigan.

Estantes del refrigerador

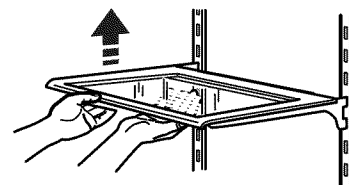
Los estantes de su refrigerador son ajustables para adaptarlos a sus necesidades individuales de almacenamiento.

Si usted guarda alimentos similares juntos y ajusta los estantes para que se adapten a las diferentes alturas de los artículos, le será muy fácil encontrar exactamente el artículo que desea. Asimismo, se reduce el tiempo que el refrigerador permanece abierto y se ahorra energía.

Estantes y marcos de los estantes

Para quitar y volver a colocar un estante/marco del estante:

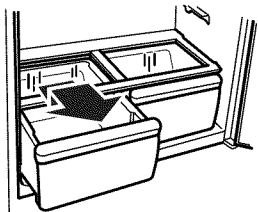
1. Quite el estante/marco inclinándolo por el frente y levantándolo fuera de los soportes del estante.
2. Vuelva a colocar el estante/marco guiando los ganchos posteriores del estante dentro de los soportes del mismo. Levante el frente del estante hasta que los ganchos traseros del estante calcen en los soportes del mismo.
3. Baje el frente del estante y verifique que esté firme en su lugar.



Cajón para verduras y tapa

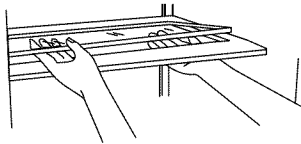
Para quitar y volver a colocar el(los) cajón(cajones) para verduras:

1. Deslice el(los) cajón(cajones) hacia afuera hasta el tope. Levante el frente del(de los) cajón(cajones) y deslícelo hasta que salga.
2. Vuelva a colocar el(los) cajón (cajones) deslizándolo(s) hacia atrás por completo, hasta pasar el tope del cajón.



Para quitar la tapa del(de los) cajón(cajones) para verduras:

1. Saque el(los) cajón(cajones) para verduras.
2. Sostenga la pieza de vidrio firmemente con una mano y empuje hacia arriba en el centro de la pieza de vidrio hasta que se levante por encima del marco de plástico. Deslice suavemente la pieza de vidrio hacia adelante para sacarla.
3. Levante el marco de la tapa y sáquelo.



Para volver a colocar la tapa del(de los) cajón(cajones) para verduras:

1. Calce la parte trasera del marco de la tapa en los soportes que están en las paredes laterales del refrigerador y baje la parte delantera del marco de la tapa hasta su lugar.
2. Deslice la parte posterior de la pieza de vidrio en el marco de la tapa y baje el frente a su lugar.

Control de humedad del cajón para verduras

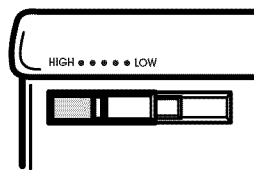
Usted puede controlar el nivel de humedad en el cajón hermético para verduras. Regule el control a cualquier ajuste entre LOW (Bajo) y HIGH (Alto).

LOW (abierto) deja que el aire húmedo salga del cajón para verduras, y es el más adecuado para conservar las frutas y verduras con cáscara.

- Frutas: Lávelas, déjelas secar y guárdelas en el refrigerador en bolsas de plástico o en el cajón para verduras. No lave ni pele las moras sino en el momento de usarlas. Separe y guarde las moras en su recipiente original en el cajón para verduras, o guárdelas en una bolsa de papel cerrada, sin apretar, en un estante del refrigerador.
- Verduras con cáscaras: Colóquelas en bolsas de plástico o recipientes de plástico y guárdelas en el cajón para verduras.

HIGH (cerrado) mantiene el aire húmedo en el cajón para verduras, y es el más adecuado para conservar las verduras frescas de hoja.

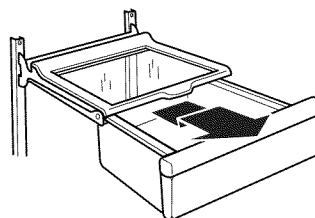
- Verduras de hoja: Lávelas con agua fría, escúrralas y corte o arranque las partes magulladas o amarillentas. Colóquelas en una bolsa o recipiente de plástico y guárdelas en el cajón para verduras.



Cajón para bocadillos

Para quitar y volver a colocar el cajón para bocadillos:

1. Jale hacia afuera el cajón en toda su extensión. Incline el frente del cajón hacia arriba y jálelo directamente hacia afuera.
2. Vuelva a colocar el cajón para bocadillos insertándolo en los rieles del marco y empujándolo en su lugar.



Guía para la conservación de carnes

Guarde la mayoría de las carnes en su envoltura original siempre y cuando sea hermética y a prueba de humedad. Vuelva a envolverlas si fuera necesario. Consulte el cuadro siguiente respecto a períodos de conservación. Para guardar la carne por un tiempo más prolongado que los períodos indicados, congélela.

Pescado o mariscos frescos... úselos el mismo día en que los compró

Pollo, carne molida, carnes diversas (hígado) 1-2 días

Carnes frías, filetes/asados 3-5 días

Carnes curadas 7-10 días

Sobras - Cubra las sobras con envoltura de plástico, papel de aluminio o guárdelas en recipientes de plástico con tapas herméticas.

CARACTERÍSTICAS DEL CONGELADOR

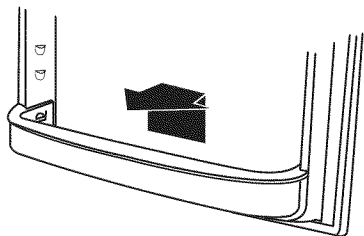
Su modelo podrá contar con algunas o todas estas características.

Estante de la puerta del congelador (en algunos modelos)

Un almacenamiento conveniente para los alimentos congelados más pequeños.

Para quitar y volver a colocar el estante:

1. Quite el estante deslizándolo hacia arriba y jalándolo directamente hacia afuera.
2. Vuelva a colocar el estante deslizándolo encima del soporte deseado y empujándolo hacia abajo hasta que se detenga.



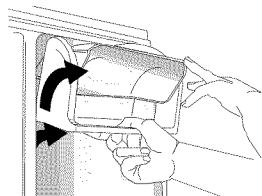
CARACTERÍSTICAS DE LA PUERTA

Su modelo podrá contar con algunas o todas estas características.

Centro de productos lácteos

Para quitar y volver a colocar el centro de productos lácteos:

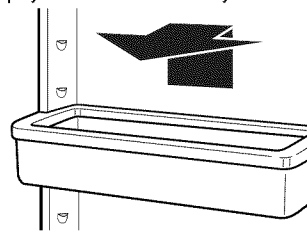
1. Saque el recipiente de productos lácteos levantando y sosteniendo la cubierta, a la vez que levanta el recipiente de productos lácteos y lo jala directamente hacia afuera.
2. Vuelva a colocar el recipiente de productos lácteos deslizándolo encima del soporte deseado y empujándolo hacia abajo hasta que se detenga.



Recipientes de la puerta

Para quitar y volver a colocar los recipientes:

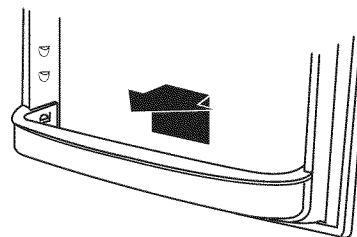
1. Quite el recipiente levantándolo y jalándolo directamente hacia afuera.
2. Vuelva a colocar el recipiente deslizándolo encima del soporte deseado y empujándolo hacia abajo hasta que se detenga.



Estante de ancho completo de la puerta

Para quitar y volver a colocar el estante:

1. Quite el estante deslizándolo y jalándolo directamente hacia afuera.
2. Vuelva a colocar el estante deslizándolo encima del soporte deseado y empujándolo hacia abajo hasta que se detenga.



CUIDADO DE SU REFRIGERADOR

Limpieza

⚠ ADVERTENCIA



Peligro de Explosión

Use un limpiador no inflamable.

No seguir esta instrucción puede ocasionar la muerte, explosión o incendio.

Tanto la sección del refrigerador como la del congelador se descongelan automáticamente. No obstante, limpie ambas secciones más o menos una vez al mes para evitar la acumulación de olores. Limpie los derrames de inmediato.

IMPORTANTE: Debido a que el aire circula entre ambas secciones, cualquier olor que se forma en una sección pasará a la otra. Usted debe limpiar meticulosamente ambas secciones para eliminar olores. Para evitar la transferencia de olores y la deshidratación de los alimentos, envuelva o tape bien los alimentos.

Para limpiar su refrigerador:

NOTA: No use productos de limpieza abrasivos o ásperos, tales como aerosoles para ventanas, productos de limpieza para pulir, líquidos inflamables, ceras para limpieza, detergentes concentrados, blanqueadores o productos de limpieza que contengan productos derivados del petróleo en las partes de plástico, revestimientos interiores y de la puerta o juntas. No use toallas de papel, estropajos para fregar u otros utensilios de limpieza ásperos.

1. Desenchufe el refrigerador o desconecte el suministro de energía.
2. Lave a mano, enjuague y seque todas las partes desmontables y las superficies interiores meticulosamente. Use una esponja limpia o un paño suave y un detergente delicado en agua tibia.
3. Lave las superficies externas metálicas pintadas y de acero inoxidable con una esponja limpia o un paño suave y detergente delicado con agua tibia.
 - Para mantener como nuevo su refrigerador de acero inoxidable y para quitar marcas o rayaduras pequeñas, se sugiere usar el limpiador de acero inoxidable aprobado por el fabricante. Para pedir el limpiador, vea "Accesorios".

IMPORTANTE: ¡Este limpiador es solamente para partes de acero inoxidable!

No permita que el limpiador de acero inoxidable entre en contacto con ninguna parte de plástico tales como las piezas decorativas, las tapas del despachador o las juntas de la puerta. Si se produce contacto no intencional, limpie la pieza de plástico con una esponja y detergente suave en agua tibia. Seque meticulosamente con un paño suave.

4. Una limpieza rutinaria del condensador no es necesaria en ambientes normales de operación en el hogar. Si el ambiente es particularmente grasoso o polvoriento, o si hay bastante tránsito de mascotas en el hogar, el condensador deberá limpiarse cada dos o tres meses para asegurar la máxima eficacia.

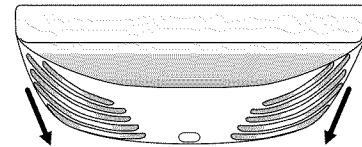
Si necesita limpiar el condensador:

 - Quite la rejilla de la base.
 - Use una aspiradora con un cepillo suave para limpiar la rejilla, las áreas abiertas detrás de la rejilla y la superficie frontal del condensador.
 - Vuelva a colocar la rejilla de la base cuando termine.
5. Enchufe el refrigerador o reconecte el suministro de energía.

Cómo cambiar el foco

NOTA: No todos los focos para electrodomésticos son adecuados para su refrigerador. Asegúrese de reemplazar el foco con otro foco para electrodomésticos del mismo tamaño, forma y vataje (que no sea de más de 40 vatios).

1. Desenchufe el refrigerador o desconecte el suministro de energía.
2. Saque la pantalla de luz (en algunos modelos).
 - Parte superior del compartimiento - Deslice la pantalla de la luz hacia la parte posterior del compartimiento para liberarla del ensamblaje de luz.



3. Reemplace el(los) foco(s) quemado(s) con un(os) foco(s) para electrodomésticos que no sea(n) de más de 40 vatios.
4. Vuelva a colocar la pantalla de luz.
 - Parte superior del compartimiento - inserte las lengüetas en la pantalla, dentro de los orificios del revestimiento, a cada lado del ensamblaje de luz. Deslice la pantalla hacia el frente hasta que se traben en su lugar.

NOTA: Para evitar causar daños a la pantalla de luz, no la fuerce más allá del punto de bloqueo.
5. Enchufe el refrigerador o reconecte el suministro de energía.

Cortes de corriente

Si no va a haber electricidad por 24 horas o menos, mantenga la puerta o las puertas cerradas (según el modelo) para ayudar a que los alimentos se mantengan fríos y congelados.

Si el corte de electricidad va a durar más de 24 horas, siga una de las opciones a continuación:

- Saque todos los alimentos congelados y guárdelos en una conservadora de comida congelada.
- Ponga 2 lbs (907 g) de hielo seco en el congelador por cada pie cúbico (28 L) de espacio en su congelador. Esto mantendrá los alimentos congelados de 2 a 4 días.
- Si no tiene conservadora de alimentos ni hielo seco, use todos los alimentos perecederos de una vez o póngalos en latas.

RECUERDE: Un congelador lleno se mantiene frío por más tiempo que uno a medio llenar. Un congelador lleno de carne se mantiene frío por más tiempo que uno lleno de alimentos horneados. Si Ud. ve que los alimentos contienen cristales de hielo, se pueden volver a congelar, pero la calidad y el sabor pueden afectarse. Si el alimento no está en buenas condiciones, descártelo.

SOLUCIÓN DE PROBLEMAS

Primero pruebe las soluciones sugeridas aquí para evitar el costo innecesario del servicio.

Funcionamiento del refrigerador

El refrigerador no funciona

ADVERTENCIA



Peligro de Choque Eléctrico

Conecte a un contacto de pared de conexión a tierra de 3 terminales.

No quite la terminal de conexión a tierra.

No use un adaptador.

No use un cable eléctrico de extensión.

No seguir estas instrucciones puede ocasionar la muerte, incendio o choque eléctrico.

- ¿Está desenchufado el cable eléctrico? Conecte a un contacto de pared de conexión a tierra de 3 terminales.
- ¿Funciona el contacto? Enchufe una lámpara para ver si funciona el contacto.
- ¿Hay un fusible de la casa fundido o se disparó el cortacircuitos? Reemplace el fusible o reposicione el cortacircuitos. Si el problema continúa, llame a un electricista.
- ¿Está encendido el control? Asegúrese de que el control del refrigerador esté encendido. Vea "Uso del(de los) control(es)".
- ¿Es nueva la instalación? Deje transcurrir 24 horas después de la instalación para que el refrigerador se enfríe por completo.

NOTA: El ajustar el control de temperatura en la posición más fría no enfría el refrigerador más rápido.

Parece que el motor funciona excesivamente

Es posible que su nuevo refrigerador funcione por períodos más largos que su refrigerador anterior debido al compresor y los ventiladores de alto rendimiento. Es posible que la unidad funcione por más tiempo si la habitación está caliente, si se ha agregado una gran cantidad de alimentos, si se abre la puerta con frecuencia o si se ha dejado la misma abierta.

Parece que el refrigerador es ruidoso

El ruido del refrigerador se ha ido reduciendo a lo largo de los años. Debido a esta reducción, es posible que escuche ruidos intermitentes en su nuevo refrigerador que no había notado en el modelo viejo. A continuación se enumeran algunos sonidos normales con explicaciones.

- **Sonido pulsante** - los ventiladores/el compresor se están ajustando para obtener el máximo desempeño.
- **Sonido sibilante/vibraciones** - flujo de líquido refrigerante o artículos guardados arriba del refrigerador.
- **Estallido** - contracción/expansión de la paredes interiores, especialmente durante el enfriamiento inicial.
- **Agua corriendo/goteando** - puede escucharse cuando el hielo se derrite durante la descongelación y corre hacia la bandeja recolectora.

La puerta no cierra completamente

- ¿Está bloqueada la puerta? Mueva los paquetes de alimentos lejos de la puerta.
- ¿Hay un recipiente o un estante bloqueando el paso? Empuje el recipiente o el estante nuevamente a la posición correcta.
- ¿Está obstruyendo la tapa del compartimiento para verduras? Asegúrese de empujar bien la tapa del compartimiento para verduras, de manera que la parte posterior descansa sobre los soportes.

Es difícil abrir la puerta

ADVERTENCIA



Peligro de Explosión

Use un limpiador no inflamable.

No seguir esta instrucción puede ocasionar la muerte, explosión o incendio.

- ¿Están las empaquetaduras sucias o pegajosas? Limpie las empaquetaduras y las superficies de contacto con jabón suave y agua tibia. Enjuague y seque con un paño suave.

Temperatura y humedad

La temperatura está demasiado caliente

- ¿Es una nueva instalación? Deje transcurrir 24 horas después de la instalación para que el refrigerador se enfríe por completo.
- ¿Se abre o se deja la puerta abierta a menudo? Esto hace que entre aire tibio al refrigerador. Reduzca al mínimo el número de veces que abre la puerta y mantenga la puerta completamente cerrada.
- ¿Se ha agregado una gran cantidad de alimentos? Deje que transcurran varias horas para que el refrigerador vuelva a la temperatura normal.
- ¿Se ha ajustado el control correctamente de acuerdo con las condiciones circundantes? Ajuste el control un ajuste más frío. Fíjese en la temperatura en 24 horas. Vea "Uso del(de los) control(es)".

Hay acumulación de humedad en el interior

NOTA: Es normal que se acumule un poco de humedad.

- ¿Está húmeda la habitación? Esto contribuye a la acumulación de humedad.
- ¿Se abre o se deja la puerta abierta a menudo? Esto hace que entre aire tibio al refrigerador. Reduzca al mínimo el número de veces que abre la puerta y mantenga la puerta completamente cerrada.

CONTRATOS DE PROTECCIÓN

Contratos maestros de protección

¡Felicitaciones por su inteligente adquisición! Su nuevo producto Kenmore® está diseñado y fabricado para proporcionarle años de funcionamiento confiable. Pero al igual que todos los productos, puede necesitar mantenimiento preventivo o reparación de vez en cuando. Es allí donde el Contrato maestro de protección puede ahorrarle dinero e inconvenientes.

El Contrato maestro de protección también ayuda a prolongar la vida de su nuevo producto. He aquí lo que se incluye en el Contrato*:

- ✓ Piezas y mano de obra necesarias para ayudar a mantener los productos funcionando correctamente **bajo uso normal**, no sólo en caso de defectos. Nuestra cobertura va **mucho más allá de la garantía del producto**. No existen deducibles ni fallas de funcionamiento que estén excluidas de la cobertura — **protección verdadera**.
- ✓ Servicio experto a cargo de un personal de más de 10.000 técnicos de servicio autorizados por Sears, lo que significa que su producto será reparado por alguien en quien usted puede confiar.
- ✓ Llamadas de servicio ilimitado y servicio en todo el país, con la frecuencia que usted desee, cuando usted desee.

- ✓ Garantía "sin disgustos" – reemplazo de su producto protegido si ocurren cuatro fallas o más del producto en el transcurso de doce meses.
- ✓ Reemplazo del producto si su producto protegido no puede ser reparado.
- ✓ Revisión anual de mantenimiento preventivo a solicitud suya – sin costo adicional.
- ✓ Ayuda rápida por teléfono – lo que nosotros llamamos Solución rápida – apoyo por teléfono a cargo de un representante de Sears para todos los productos. Piense en nosotros como si fuéramos un "manual parlante para el propietario".
- ✓ Protección de sobrevoltaje contra daños eléctricos debido a fluctuaciones de electricidad.
- ✓ Protección por pérdida de comida, por un valor anual de \$250, por cualquier pérdida de comida que sea como resultado de fallas mecánicas de cualquier refrigerador o congelador cubierto bajo la garantía.
- ✓ Reembolso de la renta si la reparación de su producto protegido tarda más de lo prometido.
- ✓ 10% de descuento sobre el precio común por el servicio de reparación que no esté bajo protección, así como también las piezas relacionadas con el mismo que se hayan instalado.

Una vez adquirido el Contrato, tan sólo tiene que llamar para fijar la visita de servicio técnico. Usted puede llamar a cualquier hora, de día o de noche, o fijar una visita técnica en Internet.

El Contrato maestro de protección es una compra sin riesgo. Si por algún motivo usted lo cancela durante el período de la garantía del producto, le proveeremos un reembolso total. O un reembolso proporcional en cualquier momento posterior a la expiración del período de la garantía. ¡Adquiera hoy su Contrato maestro de protección!

Se aplican algunas limitaciones y exclusiones. Para obtener precios e información adicional en EE.UU., llame al 1-800-827-6655.

*La cobertura en Canadá varía en algunos artículos. Para obtener los detalles completos, llame a Sears Canada al 1-800-361-6665.

Servicio de instalación de Sears

Para la instalación profesional de Sears de aparatos electrodomésticos, abridores de puertas de garaje, calentadores de agua y otros artículos principales del hogar, en los EE.UU. o en Canadá llame al 1-800-4-MY-HOME®.

ACCESORIOS

Refacciones:

Para pedir el limpiador de acero inoxidable o filtros de repuesto, llame al 1-800-4-MY-HOME® y pida el número de pieza apropiado o póngase en contacto con su distribuidor autorizado de Kenmore.

Limpiador de acero inoxidable:

Pida la pieza No. D22 M40083 R

GARANTIE DES APPAREILS MÉNAGERS KENMORE

GARANTIE LIMITÉE DE UN AN

Lorsqu'il est installé, utilisé et entretenu conformément à toutes les instructions fournies avec le produit, si cet appareil ménager fait défaut par suite d'un vice de matériau ou de fabrication au cours de l'année qui suit la date d'achat, composer le 1-800-4-MY-HOME® pour obtenir une réparation gratuite.

La présente garantie s'applique seulement pendant 90 jours à compter de la date d'achat si l'appareil est utilisé à d'autres fins que l'utilisation domestique privée.

LA PRÉSENTE GARANTIE COUVRE UNIQUEMENT LES VICES DE MATÉRIAUX ET DE FABRICATION. SEARS NE PAIERA PAS POUR :

1. Les pièces courantes qui peuvent s'user suite à une utilisation normale, notamment les filtres, courroies, ampoules et sacs.
2. L'intervention d'un technicien pour montrer à l'utilisateur comment installer, utiliser et entretenir correctement le produit.
3. L'intervention d'un technicien pour nettoyer ou entretenir ce produit.
4. L'endommagement ou les défauts du produit si celui-ci n'est pas installé, utilisé ou entretenu conformément à toutes les instructions fournies avec le produit.
5. L'endommagement ou les défauts du produit résultant d'accident, usage impropre ou abusif ou utilisation autre que celle pour laquelle il est destiné.
6. L'endommagement ou les défauts du produit causés par l'utilisation de détergents, agents de nettoyage, produits chimiques ou ustensiles autres que ceux recommandés dans toutes les instructions fournies avec le produit.
7. L'endommagement ou les défauts des pièces ou systèmes résultant d'une modification non autorisée faite au produit.

CLAUSE D'EXONÉRATION DE RESPONSABILITÉ AU TITRE DES GARANTIES IMPLICITES; LIMITATION DES RECOURS

Le seul et exclusif recours du client dans le cadre de la présente garantie limitée consiste en la réparation prévue ci-dessus. Les garanties implicites, y compris les garanties applicables de qualité marchande et d'aptitude à un usage particulier, sont limitées à un an ou à la plus courte période autorisée par la loi. Sears n'assume aucune responsabilité pour les dommages fortuits ou indirects. Certains États ou certaines provinces ne permettent pas l'exclusion ou la limitation des dommages fortuits ou indirects, ou la limitation de la durée des garanties implicites de qualité marchande ou d'aptitude à un usage particulier, de sorte que cette exclusion ou limitation peut ne pas être applicable dans votre cas.

Cette garantie s'applique seulement lorsque cet appareil ménager est utilisé aux États-Unis ou au Canada.

Cette garantie vous confère des droits juridiques spécifiques et vous pouvez également jouir d'autres droits qui peuvent varier d'un État à l'autre.

**Sears Brands Management Corporation
Hoffman Estates, IL 60179**

**Sears Canada Inc.
Toronto, Ontario, Canada M5B 2C3**

ENREGISTREMENT DU PRODUIT

Inscrivez les numéros de modèle et de série complets et la date d'achat. Vous trouverez ces renseignements sur l'étiquette des numéros de modèle et de série située sur le produit.

Gardez ces renseignements à disposition pour obtenir plus rapidement assistance ou service lorsque vous communiquez avec Sears au sujet de votre appareil ménager.

Numéro de modèle _____

Numéro de série _____

Date d'achat _____

Conservez ces instructions et votre reçu de vente pour référence ultérieure.

SÉCURITÉ DU RÉFRIGÉRATEUR

Votre sécurité et celle des autres est très importante.

Nous donnons de nombreux messages de sécurité importants dans ce manuel et sur votre appareil ménager. Assurez-vous de toujours lire tous les messages de sécurité et de vous y conformer.



Voici le symbole d'alerte de sécurité.

Ce symbole d'alerte de sécurité vous signale les dangers potentiels de décès et de blessures graves à vous et à d'autres.

Tous les messages de sécurité suivront le symbole d'alerte de sécurité et le mot "DANGER" ou "AVERTISSEMENT". Ces mots signifient :

⚠ DANGER

Risque possible de décès ou de blessure grave si vous ne suivez pas immédiatement les instructions.

⚠ AVERTISSEMENT

Risque possible de décès ou de blessure grave si vous ne suivez pas les instructions.

Tous les messages de sécurité vous diront quel est le danger potentiel et vous disent comment réduire le risque de blessure et ce qui peut se produire en cas de non-respect des instructions.

IMPORTANTES INSTRUCTIONS DE SÉCURITÉ

AVERTISSEMENT : Pour réduire les risques d'incendie, de choc électrique ou des blessures lors de l'utilisation du réfrigérateur, prendre quelques précautions fondamentales, y compris les suivantes :

- Brancher l'appareil sur une prise à 3 alvéoles reliée à la terre.
- Ne pas enlever la broche de liaison à la terre.
- Ne pas utiliser un adaptateur.
- Ne pas utiliser un câble de rallonge.
- Débrancher la source de courant électrique avant l'entretien.
- Replacer pièces et panneaux avant de faire la remise en marche.
- Enlever les portes de votre vieux réfrigérateur.
- Utiliser un produit de nettoyage ininflammable.
- Garder les matériaux et les vapeurs inflammables, telle que l'essence, loin du réfrigérateur.
- Utiliser deux ou plus de personnes pour déplacer et installer le réfrigérateur.
- Débrancher le réfrigérateur avant l'installation de la machine à glaçons (seulement pour modèles prêts à recevoir une machine à glaçons).
- Utiliser un verre robuste pour prendre des glaçons (sur certains modèles).
- Ne pas heurter les portes en verre du réfrigérateur (sur certains modèles).

CONSERVEZ CES INSTRUCTIONS

Mise au rebut adéquate de votre vieux réfrigérateur

⚠ AVERTISSEMENT

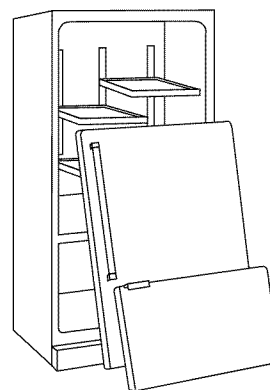
Risque de suffoquer

Enlever les portes de votre vieux réfrigérateur.

Le non-respect de cette instruction peut causer un décès ou des lésions cérébrales.

Avant de jeter votre vieux réfrigérateur ou congélateur :

- Enlever les portes.
- Laisser les tablettes en place de sorte que les enfants ne puissent pas y pénétrer facilement.



IMPORTANT : L'emprisonnement et l'étouffement des enfants ne sont pas un problème du passé. Les réfrigérateurs jetés ou abandonnés sont encore dangereux, même s'ils sont laissés abandonnés pendant "quelques jours seulement". Si vous vous débarrassez de votre vieux réfrigérateur, veuillez suivre les instructions suivantes pour aider à éviter les accidents.

INSTRUCTIONS D'INSTALLATION

Déballage du réfrigérateur

⚠ AVERTISSEMENT

Risque du poids excessif

Utiliser deux ou plus de personnes pour déplacer et installer le réfrigérateur.

Le non-respect de cette instruction peut causer une blessure au dos ou d'autre blessure.

Enlèvement des matériaux d'emballage

- Enlever le ruban adhésif et la colle des surfaces du réfrigérateur avant de le mettre en marche. Frotter une petite quantité de savon liquide pour la vaisselle sur l'adhésif avec les doigts. Rincer à l'eau tiède et essuyer.
- Ne pas utiliser d'instruments coupants, d'alcool à friction, de liquides inflammables ou de nettoyants abrasifs pour enlever le ruban adhésif ou la colle. Ces produits peuvent endommager la surface de votre réfrigérateur. Pour plus de renseignements, voir "Sécurité du réfrigérateur".
- Des tablettes, bacs, glissières de tablettes dans la porte et autres pièces peuvent être emballés dans la trousse FeaturePak. Suivre les instructions contenues dans l'emballage pour le montage approprié.
- Jeter ou recycler tous les matériaux d'emballage.

Déplacement de votre réfrigérateur :

Votre réfrigérateur est lourd. Lors du déplacement de votre réfrigérateur pour le nettoyage ou un entretien ou réparation, veiller à recouvrir le plancher avec du carton ou un panneau de fibres dures pour éviter qu'il ne subisse tout dommage. Toujours tirer le réfrigérateur tout droit lors de son déplacement. Ne pas incliner le réfrigérateur d'un côté ou de l'autre ni le "faire marcher" en essayant de le déplacer car le plancher pourrait être endommagé.

Nettoyage avant l'utilisation

Après avoir enlevé tous les matériaux d'emballage, nettoyer l'intérieur du réfrigérateur avant de l'utiliser. Voir les instructions de nettoyage dans "Entretien du réfrigérateur".

Importants renseignements à savoir au sujet des tablettes et des couvercles en verre :

Ne pas nettoyer les tablettes ou couvercles en verre avec de l'eau tiède quand ils sont froids. Les tablettes et les couvercles peuvent se briser s'ils sont exposés à des changements soudains de température ou à un impact tel que coup brusque. Le verre trempé est conçu pour éclater en d'innombrables pièces minuscules. Ceci est normal. Les tablettes et les couvercles en verre sont lourds. Les saisir à deux mains lors de leur dépose afin d'éviter de les faire tomber.

Exigences d'emplacement

⚠ AVERTISSEMENT



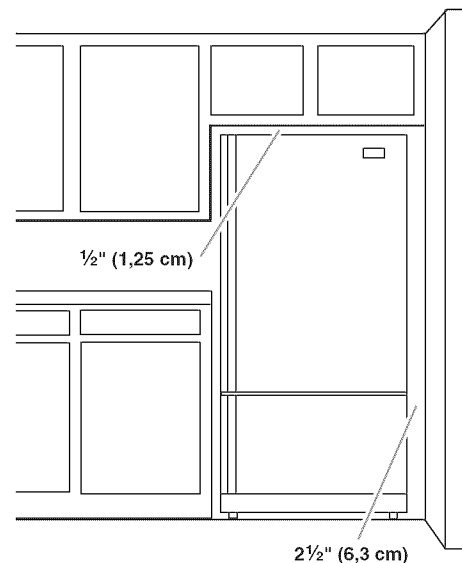
Risque d'explosion

Garder les matériaux et les vapeurs inflammables, telle que l'essence, loin du réfrigérateur.

Le non-respect de cette instruction peut causer un décès, une explosion ou un incendie.

Pour obtenir une aération appropriée pour votre réfrigérateur, laisser un espace de 1/2" (1,25 cm) de chaque côté et au sommet. Laisser un espace de 1" (2,54 cm) derrière le réfrigérateur. Si votre réfrigérateur comporte une machine à glaçons, s'assurer qu'un espace additionnel est prévu à l'arrière pour permettre les raccordements des conduits d'eau. En cas d'installation du réfrigérateur près d'un mur fixe, laisser un espace minimum de 2 1/2" (6,3 cm) du côté de la charnière (certains modèles nécessitent davantage d'espace) pour permettre à la porte de s'ouvrir sans obstruction.

REMARQUE : Il est recommandé de ne pas installer le réfrigérateur près d'un four, d'un radiateur ou de toute autre source de chaleur. Ne pas installer le réfrigérateur dans un endroit où la température baissera au-dessous de 55°F (13°C).



Spécifications électriques

⚠ AVERTISSEMENT



Risque de choc électrique

Brancher sur une prise à 3 alvéoles reliée à la terre.

Ne pas enlever la broche de liaison à la terre.

Ne pas utiliser un adaptateur.

Ne pas utiliser un câble de rallonge.

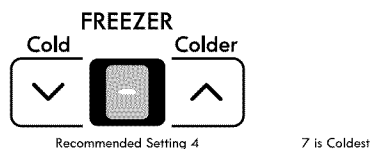
Le non-respect de ces instructions peut causer un décès, un incendie ou un choc électrique.

Avant de placer le réfrigérateur à son emplacement final, il est important de vous assurer d'avoir la connexion électrique appropriée.

Méthode recommandée de mise à la terre

Une source d'alimentation de 115 volts, 60 Hz, type 15- ou 20-amp CA seulement, protégée par des fusibles et adéquatement mise à la terre est nécessaire. Il est recommandé d'utiliser un circuit distinct pour alimenter uniquement votre réfrigérateur. Utiliser une prise murale qui ne peut pas être mise hors circuit à l'aide d'un commutateur. Ne pas employer de rallonge.

REMARQUE : Avant d'exécuter tout type d'installation, nettoyage ou remplacement d'une ampoule d'éclairage, éteindre le réfrigérateur. Appuyer sur la touche à flèche du congélateur vers le bas jusqu'à ce qu'un tiret (–) apparaisse sur l'affichage du réfrigérateur et du congélateur – voir l'illustration. Débrancher ensuite le réfrigérateur de la source d'alimentation électrique. Lorsque vous avez terminé, reconnecter le réfrigérateur à la source d'alimentation électrique et réinitialiser les commandes de la température au réglage désiré. Voir "Utilisation des commandes".



Porte(s) et tiroir du réfrigérateur

OUTILLAGE NÉCESSAIRE : Clés à douille hexagonale de 5/16", 3/8" et 1/4", tournevis Phillips n° 2, tournevis à lame plate.

IMPORTANT :

- Votre réfrigérateur peut comporter une porte standard avec une porte de congélateur (Style 1) ou un tiroir de congélation, (Style 2). Suivre les instructions spécifiques pour le style de porte de votre modèle.
- Toutes les illustrations mentionnées dans les instructions suivantes sont incluses plus loin dans cette section après "Étapes finales." Les illustrations correspondent à un réfrigérateur avec porte s'ouvrant à droite (charnières installées à droite à l'usine).
- Si vous voulez seulement déposer et réinstaller la/les porte(s), voir "Dépose de la/des porte(s) et des charnières" et "Réinstallation – Porte(s) et charnières".
- Avant de commencer, tourner la commande du réfrigérateur à OFF (arrêt), et retirer les aliments et tout balconnet réglable ou compartiment utilitaire des portes.

Retirer et réinstaller la porte du réfrigérateur et du compartiment de congélation ou les poignées des tiroirs

Style 1 – Porte de réfrigérateur avec porte de compartiment de congélation

Porte de réfrigérateur

- Pour retirer la poignée, enlever les garnitures de chaque côté des extrémités de la poignée. À l'aide d'un tournevis Phillips, retirer les vis des poignées. S'assurer de conserver les vis pour réinstaller les poignées. Voir illustration 2.
- Pour réinstaller la poignée, aligner la poignée sur la porte ou le tiroir comme illustré. À l'aide d'un tournevis Phillips, fixer la poignée à l'aide des vis de poignée. Fixer les garnitures aux extrémités de la poignée.

Porte du compartiment de congélation

- Pour retirer la poignée, enlever les deux vis fixant la poignée à la partie supérieure de la porte. Voir illustration 5-1.
- Pour réinstaller la poignée, aligner les trous de la poignée aux trous de la porte. Insérer une vis dans chaque trou. Serrer les vis.

Style 2 – Porte de réfrigérateur avec tiroir de congélation

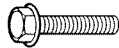
Poignées en métal

- Pour retirer la poignée, utiliser une clé Allen de 3/32" ou 1/8" pour desserrer les deux vis de serrage situées de chaque côté de la poignée. Tirer sur la poignée tout droit pour l'extraire de la porte ou du tiroir. S'assurer de conserver les vis pour réinstaller les poignées. Voir les illustrations 2 et 4 des poignées en métal.
- Pour réinstaller les poignées, suivre les instructions dans l'ordre inverse.

Poignées en plastique

- Pour retirer la poignée, faire glisser les garnitures de chaque côté des extrémités de la poignée. À l'aide d'un tournevis Phillips, retirer les vis des poignées. S'assurer de conserver les vis pour réinstaller les poignées. Voir les illustrations 2 et 4 des poignées en plastique.
- Pour réinstaller la poignée, aligner la poignée sur la porte ou sur le tiroir comme illustré. À l'aide d'un tournevis Phillips, fixer la poignée avec les vis de la poignée. Avec votre main, appliquer une pression ferme sur le dessus de la garniture et glisser chaque garniture vers le centre de la poignée.

Dépose de la/des porte(s) et des charnières



Vis de la charnière supérieure à tête hexagonale de 5/16"

Style 1

1. Débrancher le réfrigérateur ou déconnecter la source de courant électrique.
2. Fermer la porte du réfrigérateur jusqu'au moment où on est prêt à la séparer de la caisse de l'appareil.
REMARQUE : Prévoir un support additionnel des portes pendant le démontage des charnières. La force d'attraction des aimants des portes ne suffit pas à les maintenir en place.
3. Enlever les pièces de la charnière supérieure - voir l'illustration de la charnière supérieure. Soulever la porte du réfrigérateur pour la séparer de la caisse.
4. Enlever l'axe de la charnière centrale et retirer les vis de la charnière centrale - voir l'illustration de la charnière centrale. Soulever la porte du compartiment de congélation pour la séparer de la caisse.

Style 2

1. Débrancher le réfrigérateur ou déconnecter la source de courant électrique.
2. Fermer la porte du réfrigérateur jusqu'au moment où on est prêt à la séparer de la caisse de l'appareil.
REMARQUE : Prévoir un support additionnel des portes pendant le démontage des charnières. La force d'attraction des aimants des portes ne suffit pas à les maintenir en place.
3. Enlever les pièces de la charnière supérieure - voir l'illustration de la charnière supérieure. Soulever la porte du réfrigérateur pour la séparer de la caisse.
4. Enlever les pièces de la charnière inférieure - voir l'illustration de la charnière inférieure.

Inversion du sens d'ouverture de la (des) porte(s) (facultatif)

IMPORTANT : Si on souhaite inverser la position de la (des) porte(s) pour pouvoir la ou les ouvrir dans la direction opposée, procéder comme suit. S'il n'est pas nécessaire de changer l'orientation de la (des) porte(s), voir la section "Réinstallation - Porte et charnières".



Vis de butée de la porte



Vis frontale de scellement de la poignée de la porte



Vis de poignée à tête plate



Bouchon d'obturation de charnière de caisse

Caisse

1. Enlever les vis de la charnière (côté poignée); transférer ces pièces du côté opposé. Voir l'illustration 1-1.
2. Enlever les bouchons d'obturation des trous au sommet de la caisse; transférer ceux-ci dans les trous de charnière du côté opposé. Voir l'illustration 1-2.

Porte du compartiment de réfrigération

1. Enlever la poignée de la porte du compartiment de réfrigération tel qu'illustré dans l'illustration 2. Conserver toutes les pièces ensemble.
2. Enlever la vis frontale de scellement de la poignée de porte. Transférer du côté opposé de la porte du réfrigérateur. Voir l'illustration 5 ou 6 en fonction de votre style.
3. Enlever la butée de porte. Transférer la pièce du côté opposé de la porte du réfrigérateur. Voir l'illustration 3 ou 4 en fonction de votre style.
4. Fixer la poignée du réfrigérateur sur le côté opposé de la porte du réfrigérateur. Réinstaller la garniture de la poignée tel qu'indiqué dans l'illustration 2.
5. Serrer toutes les vis. Conserver la porte à part jusqu'à ce que les charnières et la porte ou le tiroir du compartiment de congélation soient installés.

Porte du compartiment de congélation

1. Enlever la poignée de porte du congélateur tel qu'illustré. Conserver toutes les pièces ensemble. Voir l'illustration 5-1.
2. Enlever les vis de scellement de la poignée de la porte du compartiment de congélation. La transférer du côté opposé de la porte du compartiment de congélation.
3. Enlever la butée de porte. Transférer la butée du côté opposé de la porte du compartiment de congélation. Voir l'illustration 4.
4. Fixer la poignée sur le côté opposé de la porte du compartiment de congélation.
5. Serrer toutes les vis. Conserver la porte à part jusqu'à ce que la charnière inférieure soit installée sur le produit.

Réinstallation - Porte(s) et charnières

Style 1

1. Réinstaller les pièces de la charnière inférieure. Voir l'illustration. Serrer les vis. Réinstaller la porte du congélateur.
REMARQUE : Prévoir un support additionnel des portes pendant la réinstallation des charnières. La force d'attraction des aimants des portes ne suffit pas à les maintenir en place.
2. Assembler les pièces de la charnière centrale - voir l'illustration de la charnière centrale - et serrer toutes les vis. Réinstaller la porte du réfrigérateur.
3. Assembler les pièces de la charnière supérieure (voir l'illustration de la charnière supérieure). Ne pas complètement serrer les vis.
4. Aligner correctement la porte au niveau de la séparation entre le bas de la porte du compartiment de réfrigération et le sommet de la porte de congélation. Serrer toutes les vis.

Style 2

1. Réinstaller les pièces de la charnière inférieure. Voir l'illustration. Serrer les vis.
REMARQUE : Prévoir un support additionnel des portes pendant la réinstallation des charnières. La force d'attraction des aimants des portes ne suffit pas à les maintenir en place.
2. Assembler les pièces de la charnière supérieure. Voir l'illustration - charnière supérieure. Ne pas complètement serrer les vis.
3. Aligner correctement la porte au niveau de la séparation entre le bas de la porte du compartiment de réfrigération et le sommet du tiroir de congélation. Serrer toutes les vis.

Enlèvement et réinstallation du tiroir de congélation

IMPORTANT : Deux personnes peuvent être nécessaires pour retirer et réinstaller le tiroir de congélation. Les illustrations sont incluses plus loin dans cette section, après "Étapes finales".

Dépose de la façade du tiroir

1. Ouvrir le tiroir du congélateur complètement.
2. Dévisser les quatre vis maintenant les glissières du tiroir avec sa façade. Voir l'illustration de dépose de l'avant du tiroir.
REMARQUE : Dévisser les vis de trois à quatre tours. Laisser les vis sur la façade du tiroir.
3. Soulever la façade du tiroir vers le haut et hors des vis. Voir l'illustration de dépose de l'avant du tiroir.

Réinstallation de la façade du tiroir

1. Faire glisser les glissières du tiroir hors du compartiment de congélation. Insérer les vis de la partie supérieure de la façade du tiroir dans les trous des brides du tiroir. Voir l'illustration de réinstallation de l'avant du tiroir.
2. Tirer les brides du tiroir vers soi pour mettre en place les deux vis de la partie inférieure de la façade du tiroir dans les brides. Voir l'illustration de réinstallation de l'avant du tiroir.
3. Serrer complètement les quatre vis.

Étapes finales

1. Inspecter tous les trous. Vérifier que tous les bouchons d'obturation et vis sont en place. Réinstaller la plaque de la charnière supérieure. Voir l'illustration - charnière supérieure.

⚠ AVERTISSEMENT



Risque de choc électrique

Brancher sur une prise à 3 alvéoles reliée à la terre.

Ne pas enlever la broche de liaison à la terre.

Ne pas utiliser un adaptateur.

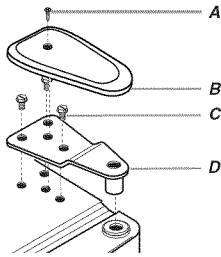
Ne pas utiliser un câble de rallonge.

Le non-respect de ces instructions peut causer un décès, un incendie ou un choc électrique.

2. Brancher sur une prise à 3 alvéoles reliée à la terre.
3. Réinstaller toutes les pièces amovibles dans les portes et les aliments dans le réfrigérateur.

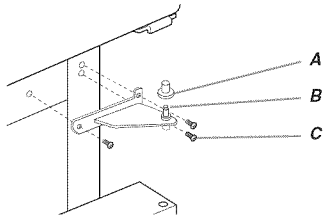
Dépose et réinstallation de la porte

Charnière supérieure



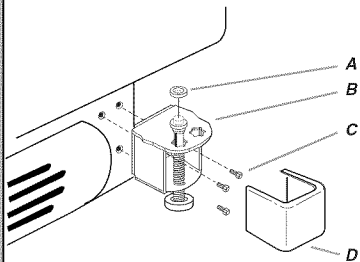
- A. Vis du couvercle de la charnière
- B. Couvercle de charnière supérieure
- C. Vis de charnière à tête hexagonale de 5/16"
- D. Charnière supérieure

Charnière centrale



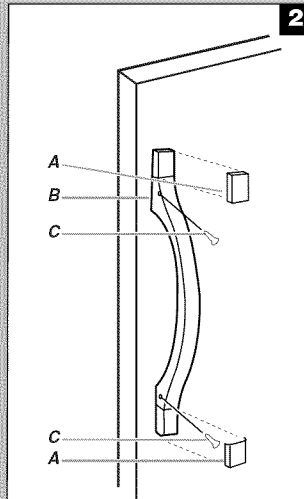
- A. Couvercle de l'axe de la charnière
- B. Charnière centrale
- C. Vis de charnière

Charnière inférieure

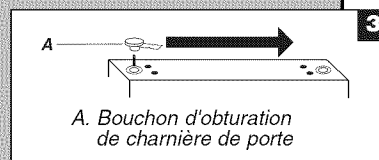


- A. Cale de l'axe de charnière (sur certains modèles)
- B. Charnière inférieure
- C. Vis de charnière à tête hexagonale de 3/8"
- D. Couvercle de la charnière inférieure

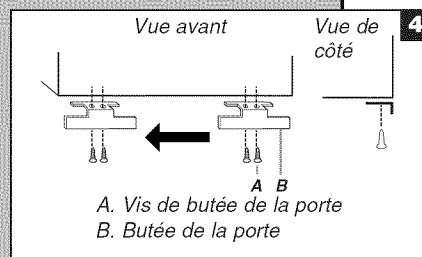
Inversion du sens d'ouverture des portes (option)



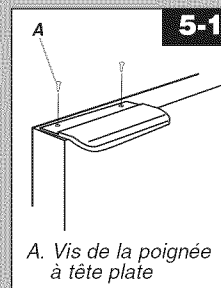
- A. Garniture de poignée
- B. Poignée du compartiment de réfrigération
- C. Vis de la poignée à tête plate



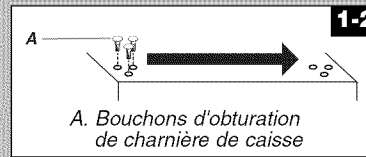
- A. Bouchon d'obturation de charnière de porte



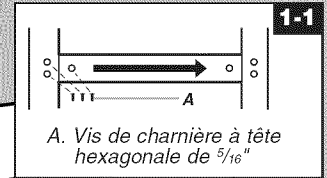
- A. Vis de butée de la porte
- B. Butée de la porte



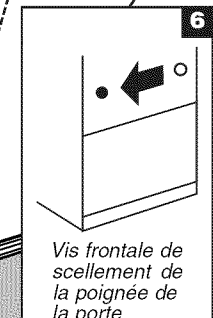
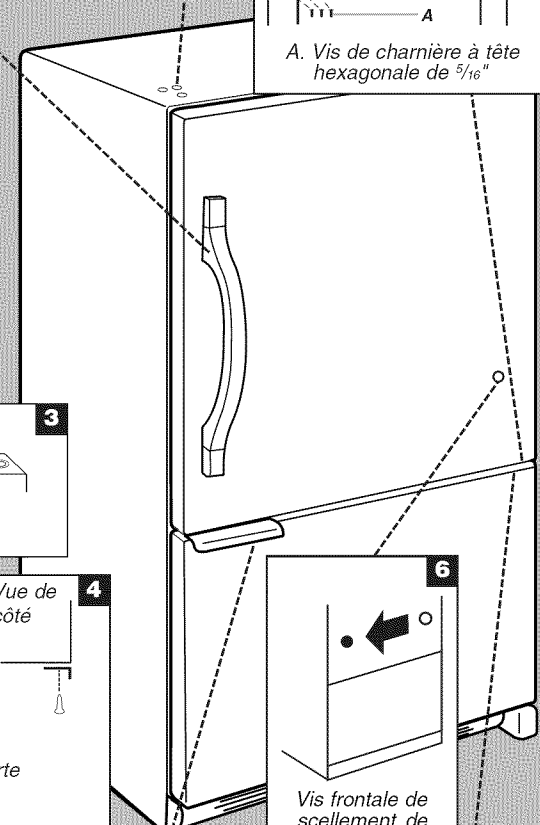
- A. Vis de la poignée à tête plate



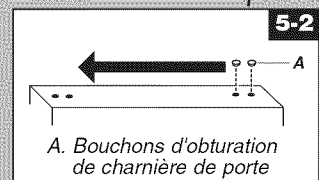
- A. Bouchons d'obturation de charnière de caisse



- A. Vis de charnière à tête hexagonale de 5/16"



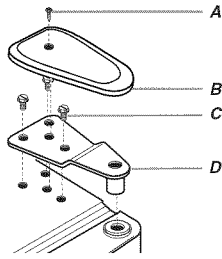
- Vis frontale de scellement de la poignée de la porte



- A. Bouchons d'obturation de charnière de porte

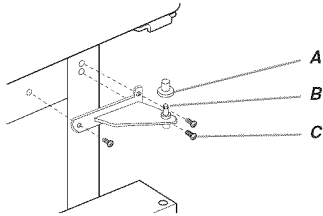
Dépose et réinstallation de la porte

Charnière supérieure



- A. Vis du couvercle de la charnière
- B. Couvercle de la charnière supérieure
- C. Vis de charnière à tête hexagonale de 5/16"
- D. Charnière supérieure

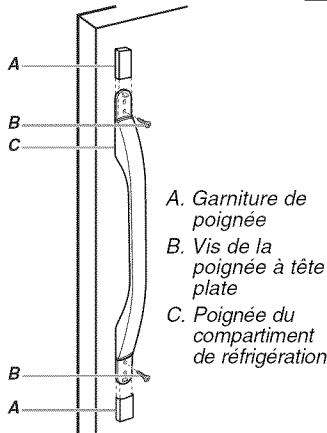
Charnière inférieure



- A. Couvercle de l'axe de la charnière
- B. Charnière inférieure
- C. Vis de charnière

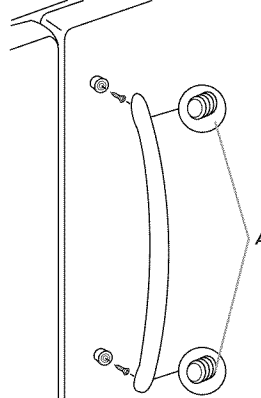
Inversion du sens d'ouverture des portes (option)

Poignée en plastique 2

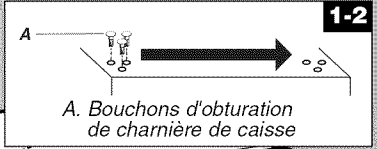


- A. Garniture de poignée
- B. Vis de la poignée à tête plate
- C. Poignée du compartiment de réfrigération

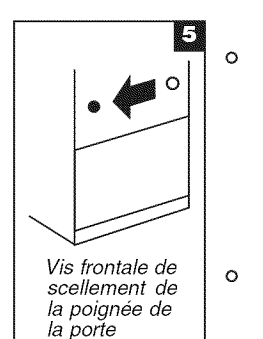
Poignée en métal 2



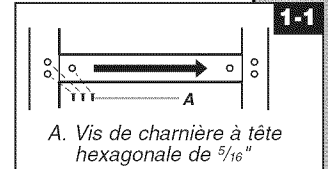
- A. Vis de réglage de 3/32" ou 1/8"



- A. Bouchons d'obturation de charnière de caisse

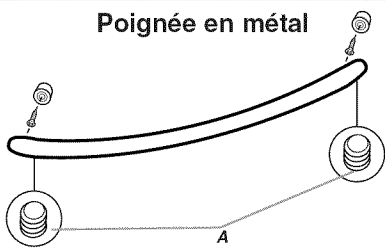


Vis frontale de scellement de la poignée de la porte



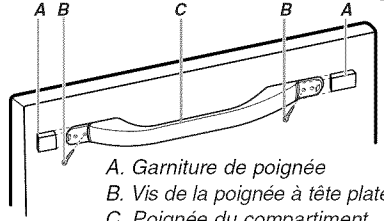
- A. Vis de charnière à tête hexagonale de 5/16"

Poignée en métal 4



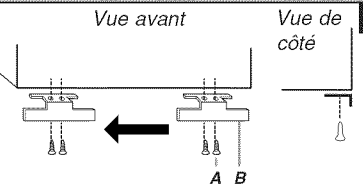
- A. Vis de réglage de 3/32" ou 1/8"

Poignée en plastique 4



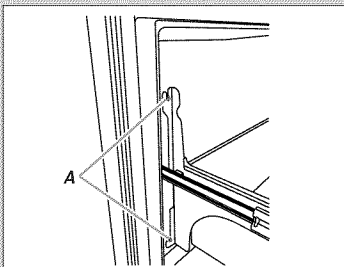
- A. Garniture de poignée
- B. Vis de la poignée à tête plate
- C. Poignée du compartiment de congélation

Vue avant 3

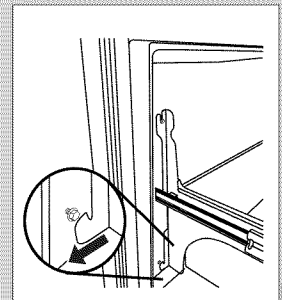
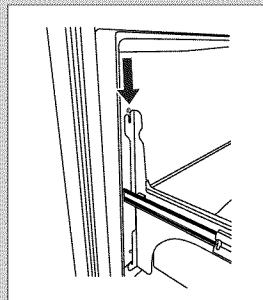
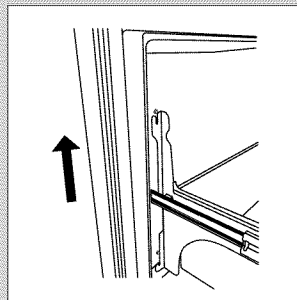


- A. Vis de butée de la porte
- B. Butée de la porte

Dépose de la façade du tiroir



- A. Desserrer les 4 vis (bride de porte)



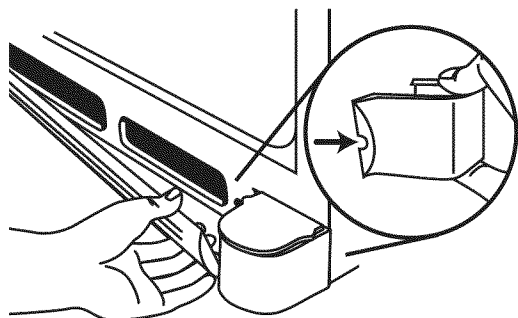
Réinstallation de la façade du tiroir

Ajustement de la porte

Votre réfrigérateur peut comporter deux roulettes avant réglables situées à la base du réfrigérateur. Si votre réfrigérateur semble instable ou si vous désirez que les portes se ferment plus facilement, suivre les instructions ci-dessous.

Style 1—Modèles de compartiments de congélation avec porte

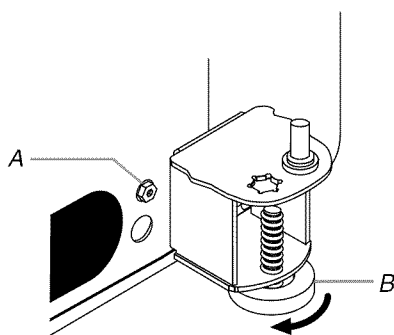
1. Retirer la grille de la base. Tenir la grille fermement et tirer vers soi pour la détacher.
2. Enlever le couvercle du support. Insérer l'extrémité d'un stylo dans l'encoche du couvercle. Appliquer une légère pression vers le bas sur la partie du couvercle de nivellement où se trouve l'encoche tout en tournant le couvercle pour l'enlever.



3. À l'aide d'un tournevis ou d'un tournevis à tête hexagonale de $\frac{3}{8}$ ", tourner la vis de réglage des roulettes de chaque côté pour soulever ou abaisser ce côté du réfrigérateur.

REMARQUE : Si une autre personne pousse le haut du réfrigérateur, le poids devient moins lourd sur les vis de réglage et les roulettes, ce qui rend plus facile l'ajustement des vis. Il peut être nécessaire de tourner la vis de réglage des roulettes de plusieurs tours pour ajuster l'inclinaison du réfrigérateur.

- Pour soulever, tourner la vis de réglage des roulettes vers la droite.
 - Pour abaisser, tourner la vis de réglage des roulettes vers la gauche.
4. Faire tourner le pied dans le sens horaire pour le placer fermement en contact avec le sol, pour empêcher le réfrigérateur de rouler vers l'avant lorsque l'on ouvre la porte du congélateur.

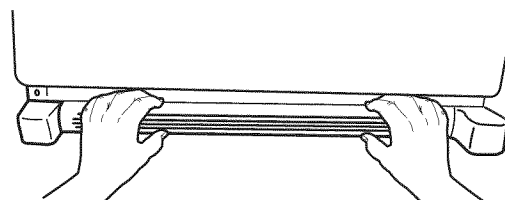


A. Vis de réglage des roulettes
B. Pied de stabilisation

5. Ouvrir de nouveau la porte et s'assurer qu'elle ferme aussi facilement que vous le souhaitez. Sinon, incliner légèrement le réfrigérateur vers l'arrière en tournant les deux vis de réglage des roulettes vers la droite. Il faudra peut-être plusieurs tours et vous devriez tourner les deux vis de réglage des roulettes de façon égale.
6. Réinstaller le couvercle du support. Placer le couvercle du support sur le bord extérieur, tourner le couvercle vers la caisse et l'enclencher en place.
7. Réinstaller la grille de la base.

Style 2—Modèles avec tiroir de congélation

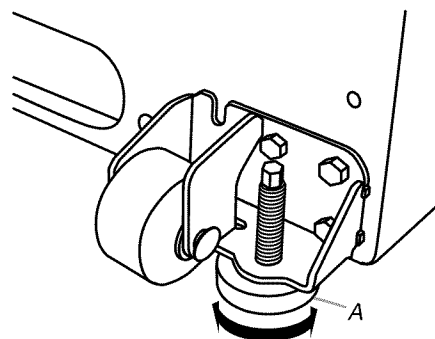
1. Retirer la grille de la base. Tenir la grille fermement et tirer vers soi pour la détacher.



2. À l'aide d'un tournevis à tête hexagonale de $\frac{1}{4}$ ", tourner les vis de réglage de l'aplomb pour soulever et abaisser chaque côté du réfrigérateur.

REMARQUE : Si une autre personne pousse le haut du réfrigérateur, le poids devient moins lourd sur les vis de réglage de l'aplomb, ce qui rend plus facile l'ajustement des vis. Il peut être nécessaire de tourner les vis de réglage de plusieurs tours pour ajuster l'inclinaison du réfrigérateur.

- Pour soulever, tourner la vis de réglage de l'aplomb dans le sens horaire.
- Pour abaisser, tourner la vis de réglage de l'aplomb dans le sens antihoraire.



A. Vis de réglage de l'aplomb

3. Ouvrir de nouveau la porte et s'assurer qu'elle ferme aussi facilement que vous l'aimez. Sinon, incliner légèrement le réfrigérateur vers l'arrière en tournant les deux vis de réglage de l'aplomb dans le sens horaire. Il faudra peut-être plusieurs tours et vous devriez tourner les deux vis de réglage de l'aplomb de façon égale.
4. Réinstaller la grille de la base.

UTILISATION DU RÉFRIGÉRATEUR

Utilisation des commandes

Les commandes de la température sont situées dans la partie supérieure avant des compartiments de réfrigération et de congélation.

IMPORTANT :

- Lorsque l'appareil est sous tension, l'afficheur indique la température réelle du compartiment.
- Attendre 24 heures pour que le réfrigérateur ait complètement refroidi avant d'y placer des aliments. Si vous ajoutez des aliments avant que le réfrigérateur ait complètement refroidi, vos aliments peuvent être abîmés.

REMARQUE : Tourner les commandes du réfrigérateur et du congélateur à un réglage plus élevé (plus froid) que le réglage recommandé, ne refroidira pas les compartiments plus vite.

- Les réglages recommandés devraient convenir à un usage domestique normal. Les commandes sont réglées correctement lorsque le lait ou le jus est aussi froid que vous l'aimez et lorsque la crème glacée est ferme.
- Si la température est trop élevée ou trop basse dans les compartiments de réfrigération ou de congélation, vérifier d'abord les ouvertures d'aération pour s'assurer qu'elles ne sont pas bloquées avant d'ajuster les commandes.

Commandes de température

Pour votre commodité, les commandes de température sont pré-réglées à l'usine. Lors de l'installation initiale du réfrigérateur, s'assurer que les commandes sont encore pré-réglées aux points de réglage recommandés tel qu'illustré.

Réglage recommandé "4"



Désactivation/activation :

Appuyer sur la touche à flèche du congélateur vers le bas jusqu'à ce qu'un tiret (-) apparaisse sur l'affichage du réfrigérateur et du congélateur. Aucun compartiment ne refroidira.

Réglages des commandes

S'il est nécessaire d'ajuster la température dans le compartiment de réfrigération ou de congélation, utiliser les réglages indiqués dans le tableau ci-dessous comme guide.

Appuyer sur les touches à flèches vers le haut ou vers le bas pour ajuster la température. Ne pas ajuster les commandes de plus d'un cran à la fois, sauf lors de la mise en marche du réfrigérateur. Attendre 24 heures entre les ajustements pour que la température puisse se stabiliser.

CONDITION/RAISON :

AJUSTEMENT :

RÉFRIGÉRATEUR trop tiède

Tourner le réglage du RÉFRIGÉRATEUR au chiffre plus élevé suivant

CONGÉLATEUR trop tiède/trop peu de glace

Tourner le réglage du CONGÉLATEUR au chiffre plus élevé suivant

RÉFRIGÉRATEUR trop froid

Tourner le réglage du RÉFRIGÉRATEUR au chiffre plus bas suivant

CONGÉLATEUR trop froid

Tourner le réglage du CONGÉLATEUR au chiffre plus bas suivant

CARACTÉRISTIQUES DU RÉFRIGÉRATEUR

Votre modèle peut comporter certaines ou toutes ces caractéristiques.

Importants renseignements à savoir au sujet des tablettes et des couvercles en verre :

Ne pas nettoyer les tablettes ou couvercles en verre avec de l'eau tiède quand ils sont froids. Les tablettes et les couvercles peuvent se briser s'ils sont exposés à des changements soudains de température ou à un impact tel que coup brusque. Le verre trempé est conçu pour éclater en d'innombrables pièces minuscules. Ceci est normal. Les tablettes et les couvercles en verre sont lourds. Les saisir à deux mains lors de leur dépose afin d'éviter de les faire tomber.

Tablettes du réfrigérateur

Les tablettes dans votre réfrigérateur peuvent être réglées pour correspondre à vos besoins de rangement individuels.

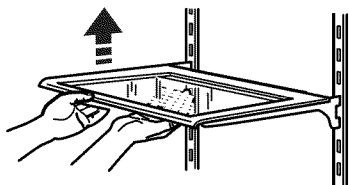
Le remisage d'aliments semblables ensemble dans le réfrigérateur et le réglage des tablettes pour convenir à différentes hauteurs d'articles alimentaires et de contenants, permettront de trouver l'article désiré plus facilement et réduiront aussi le temps d'ouverture de la porte du réfrigérateur, ce qui économisera de l'énergie.

Tablettes et cadres de tablette

Pour retirer et réinstaller une tablette/un cadre de tablette :

1. Retirer le cadre/la tablette en inclinant le devant vers le haut et en le soulevant hors des supports de tablette.
2. Réinstaller le cadre/la tablette en guidant les crochets arrière de la tablette dans les supports de tablette. Incliner le devant de la tablette vers le haut jusqu'à ce que les crochets arrière tombent dans les supports de tablette.

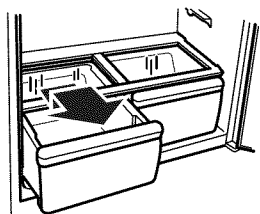
3. Abaisser le devant de la tablette et s'assurer que la tablette est fixée solidement en place.



Bac à légumes et couvercle

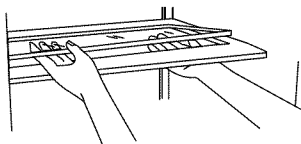
Pour retirer et réinstaller le(s) bac(s) à légumes :

1. Faire glisser le(s) bac(s) tout droit jusqu'à la butée. Soulever le devant du ou des bacs et glisser le reste du ou des bac(s) complètement vers l'extérieur.
2. Réinstaller le(s) bac(s) en le(s) faisant glisser complètement au-delà de la butée.



Pour retirer le couvercle du ou des bac(s) :

1. Retirer le(s) bac(s).
2. En retenant fermement d'une main l'insertion en verre, pousser vers le haut au centre de l'insertion en verre jusqu'à ce qu'elle se soulève hors du cadre en plastique. Glisser délicatement l'insertion en verre vers l'avant pour la retirer.
3. Soulever le cadre du couvercle et le retirer.



Pour réinstaller le couvercle du ou des bac(s) :

1. Introduire l'arrière du cadre du couvercle dans les supports sur les parois latérales du réfrigérateur et abaisser le devant du cadre du couvercle en place.
2. Faire glisser l'arrière de l'insertion en verre dans le cadre du couvercle et abaisser le devant en place.

Réglage de l'humidité dans le bac à légumes

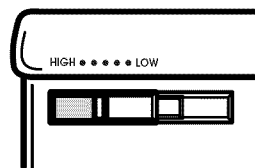
Ce réglage permet de contrôler le degré d'humidité dans les bacs à légumes étanches. La commande peut être réglée à n'importe quel réglage entre LOW et HIGH (ouvert et fermé).

En position LOW (ouvert) le réglage laisse échapper l'air humide pour mieux conserver les fruits et légumes à pelures.

- Fruits : Laver, laisser sécher et mettre au réfrigérateur dans un sac en plastique ou dans le bac à légumes. Ne pas laver ni équeuter les petits fruits avant le moment de leur utilisation. Les trier et les conserver dans l'emballage original dans le bac à légumes ou les conserver sur une tablette du réfrigérateur dans un sac en papier fermé sans être serré.
- Légumes à pelures : Placer dans des sacs en plastique ou contenants en plastique et ranger dans le bac à légumes.

En position HIGH (fermé), le réglage permet de retenir l'humidité à l'intérieur du bac pour mieux conserver les légumes frais et les légumes à feuilles.

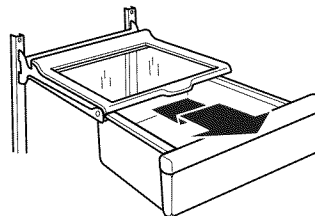
- Légumes à feuilles : Laver à l'eau froide, égoutter et couper ou éliminer les sections endommagées et décolorées. Placer dans un sac ou un contenant en plastique et ranger dans le bac à légumes.



Tiroir à collations

Pour retirer et réinstaller le tiroir à collations :

1. Tirer complètement le tiroir vers l'extérieur. Soulever l'avant du tiroir et le tirer tout droit pour le sortir.
2. Réinstaller le tiroir à collations en l'insérant dans les glissières du cadre et remettre le tiroir en place.



Guide d'entreposage des viandes

La plupart des viandes peuvent être conservées dans leur emballage original tant que cet emballage est hermétique et à l'épreuve de l'humidité. Emballer de nouveau si nécessaire. Voir le tableau suivant pour les périodes de conservation. Si la viande doit être conservée pour une période plus longue que la durée donnée, faire congeler la viande.

Poissons, mollusques
ou crustacés frais.....utiliser le jour de l'achat

Poulet, bœuf haché, abats comestibles (foie) 1 à 2 jours

Charcuterie, steaks/rôtis 3 à 5 jours

Viandes traitées 7 à 10 jours

Les restes - Couvrir les restes avec du film alimentaire ou du papier d'aluminium. Il est convenable aussi d'utiliser des contenants en plastique avec couvercles hermétiques.

CARACTÉRISTIQUES DU CONGÉLATEUR

Votre modèle peut comporter certaines ou toutes ces caractéristiques.

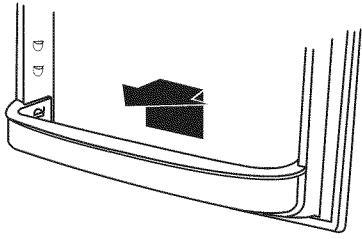
Tablette de porte du congélateur (sur certains modèles)

Entreposage pratique de petits articles congelés.

Pour enlever et réinstaller la tablette :

1. Retirer la tablette en la glissant vers le haut et en tirant tout droit pour la sortir.

- Réinstaller la tablette en la faisant glisser au-dessus du support désiré et en l'enfonçant jusqu'à la butée.



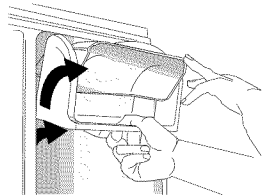
CARACTÉRISTIQUES DE LA PORTE

Votre modèle peut comporter certaines ou toutes ces caractéristiques.

Compartiment à produits laitiers

Pour enlever et réinstaller le compartiment à produits laitiers :

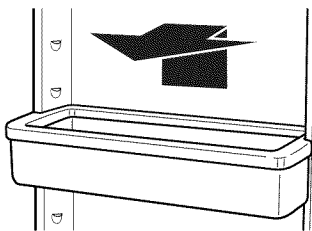
- Enlever le compartiment à produits laitiers en levant et en maintenant le couvercle vers le haut tout en soulevant le compartiment à produits laitiers vers le haut et en tirant tout droit pour le sortir.
- Réinstaller le compartiment à produits laitiers en le faisant glisser au-dessus du support désiré et en l'enfonçant jusqu'à la butée.



Balconnets de la porte

Pour retirer et réinstaller les balconnets :

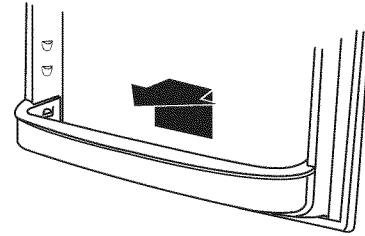
- Retirer le balconnet en le soulevant et le tirant tout droit.
- Réinstaller le balconnet en le glissant en place au-dessus du support désiré et en le poussant jusqu'à ce qu'il s'arrête.



Tablette de porte de pleine largeur

Pour enlever et réinstaller la tablette :

- Retirer la tablette en la glissant vers le haut et en tirant tout droit pour la sortir.
- Réinstaller la tablette en la faisant glisser au-dessus du support désiré et en l'enfonçant jusqu'à la butée.



ENTRETIEN DU RÉFRIGÉRATEUR

Nettoyage

AVERTISSEMENT



Risque d'explosion

Utiliser un produit de nettoyage ininflammable.

Le non-respect de cette instruction peut causer un décès, une explosion ou un incendie.

Les sections de réfrigération et de congélation se dégivrent automatiquement. Toutefois, nettoyer les deux sections environ une fois par mois pour éviter une accumulation d'odeurs. Essuyer les renversements immédiatement.

IMPORTANT : Comme l'air circule entre les deux sections, toutes les odeurs formées dans une section seront transférées à l'autre. Vous devez nettoyer à fond les deux sections pour éliminer les odeurs. Pour éviter le transfert d'odeurs et l'assèchement des aliments, envelopper ou recouvrir hermétiquement les aliments.

Nettoyage de votre réfrigérateur :

REMARQUE : Ne pas utiliser des nettoyants abrasifs tels que les nettoyants à vitre en atomiseurs, nettoyants à récurer, liquides inflammables, cires nettoyantes, détergents concentrés, eau de Javel ou nettoyants contenant du pétrole sur les pièces en plastique, les garnitures intérieures et de portes ou les joints de portes. Ne pas utiliser d'essuie-tout, tampons à récurer ou autres outils de nettoyage abrasifs.

- Débrancher le réfrigérateur ou déconnecter la source de courant électrique.
- Laver à la main, rincer et sécher les pièces amovibles et les surfaces internes à fond. Utiliser une éponge propre ou un linge doux et un détergent doux dans de l'eau tiède.

3. Laver les surfaces extérieures en acier inoxydable ou en métal peint avec une éponge propre ou un linge doux et un détergent doux dans de l'eau tiède.
 - Pour que votre réfrigérateur en acier inoxydable conserve son aspect neuf et pour enlever les petites égratignures ou marques, il est suggéré d'utiliser le nettoyant et poli pour acier inoxydable approuvé par le fabricant. Pour commander le produit de nettoyage, voir "Accessoires".

IMPORTANT : Ce nettoyant doit être utilisé sur les pièces en acier inoxydable uniquement!

Veiller à ce que le nettoyant et poli pour acier inoxydable n'entre pas en contact avec les pièces de plastique telles que garnitures, couvercles de distributeurs ou joints de porte. En cas de contact non intentionnel, nettoyer la pièce de plastique avec une éponge et un détergent doux dans de l'eau tiède. Sécher parfaitement avec un linge doux.

4. Le condenseur n'a pas besoin d'être nettoyé souvent dans des conditions de fonctionnement normales. Si l'environnement est particulièrement gras, poussiéreux, ou s'il y a des animaux domestiques dans la maison, le condenseur devrait être nettoyé tous les deux ou trois mois pour assurer une efficacité maximum.

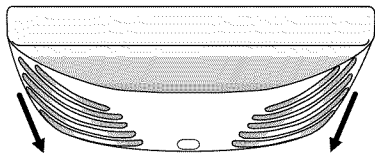
Si vous avez besoin de nettoyer le condenseur :

 - Retirer la grille de la base.
 - Utiliser un aspirateur à brosse douce pour nettoyer la grille, les endroits ouverts derrière la grille et la surface à l'avant du condenseur.
 - Replacer la grille de la base lorsqu'on a terminé.
5. Brancher le réfrigérateur ou reconnecter la source de courant électrique.

Remplacement de l'ampoule d'éclairage

REMARQUE : Toutes les lampes pour appareils ménagers ne sont pas compatibles avec ce réfrigérateur. Veiller à remplacer la lampe par une lampe pour appareil ménager de même taille/ forme/puissance (pas plus de 40 W).

1. Débrancher le réfrigérateur ou déconnecter la source de courant électrique.
2. Ôter le protège-ampoule (sur certains modèles).
 - Sommet du compartiment - Faire glisser le protège-ampoule vers l'arrière du compartiment pour le libérer de l'ensemble d'éclairage.



3. Remplacer la ou les ampoule(s) grillée(s) avec une ampoule électrique pour appareil ménager de pas plus de 40 watts.
4. Réinstaller le protège-ampoule.
 - Sommet du compartiment - Insérer les onglets du protège-ampoule dans les trous appropriés de chaque côté de l'ensemble d'éclairage. Faire glisser le protège-ampoule vers l'avant de l'unité jusqu'à ce qu'il se verrouille en place.

REMARQUE : Pour éviter d'endommager le protège-ampoule, ne pas forcer au-delà du point de verrouillage.
5. Brancher le réfrigérateur ou reconnecter la source de courant électrique.

Pannes de courant

Si le courant électrique doit être interrompu pendant 24 heures ou moins, garder la ou les porte(s) (selon votre modèle) fermée(s) pour aider les aliments à demeurer froids et congelés.

Si le courant doit être interrompu pendant plus de 24 heures, faire l'une des actions suivantes :

- Retirer tous les aliments congelés et les entreposer dans un casier frigorifique.
- Placer 2 lb (907 g) de neige carbonique dans le congélateur pour chaque pied cube (28 L) d'espace de congélation. Ceci permettra de garder les aliments congelés durant deux à quatre jours.
- Si l'on ne possède pas de casier frigorifique ni de neige carbonique, consommer ou mettre immédiatement en conserve les aliments périssables.

À NOTER : Un congélateur plein restera froid plus longtemps qu'un congélateur partiellement rempli. Un congélateur plein de viande demeure froid plus longtemps qu'un congélateur rempli d'aliments cuits. Si les aliments contiennent des cristaux de glace, ils peuvent être remis à congeler même si la qualité et la saveur risquent d'être affectées. Si les aliments semblent de piètre qualité, les jeter.

DÉPANNAGE

Essayer d'abord les solutions suggérées ici afin d'éviter le coût d'une visite de service non nécessaire.

Fonctionnement du réfrigérateur

Le réfrigérateur ne fonctionne pas

AVERTISSEMENT



Risque de choc électrique

Brancher sur une prise à 3 alvéoles reliée à la terre.

Ne pas enlever la broche de liaison à la terre.

Ne pas utiliser un adaptateur.

Ne pas utiliser un câble de rallonge.

Le non-respect de ces instructions peut causer un décès, un incendie ou un choc électrique.

- Le cordon d'alimentation électrique est-il débranché? Brancher sur une prise à 3 alvéoles reliée à la terre.
- La prise électrique fonctionne-t-elle? Brancher une lampe pour voir si la prise fonctionne.
- Un fusible est-il grillé ou un disjoncteur s'est-il ouvert? Remplacer le fusible ou réenclencher le disjoncteur. Si le problème persiste, appeler un électricien.
- La commande est-elle en marche? S'assurer que la commande du réfrigérateur est bien en marche. Voir "Utilisation de la(des) commande(s)".
- S'agit-il d'une nouvelle installation? Accorder 24 heures après l'installation pour que le réfrigérateur se refroidisse complètement.

REMARQUE : Régler la commande de température sur la position la plus froide ne fera pas refroidir le réfrigérateur plus rapidement.

Le moteur semble trop tourner

Il se peut que votre nouveau réfrigérateur fonctionne plus longtemps que l'ancien grâce à son compresseur à haute efficacité et ses ventilateurs. L'appareil peut fonctionner plus longtemps encore si la température de la pièce est chaude, si une importante quantité de nourriture y est ajoutée, si la porte est fréquemment ouverte ou si elle a été laissée ouverte.

Le réfrigérateur semble bruyant

Le bruit des réfrigérateurs a été réduit au cours des années. Du fait de cette réduction, il est possible d'entendre des bruits intermittents venant de votre nouveau réfrigérateur qui n'avaient pas été décelés avec votre ancien modèle. Voici une liste des sons normaux accompagnés d'explications.

- Pulsation - les ventilateurs/le compresseur se règle afin d'optimiser la performance.
- Sifflement/cliquetis - écoulement de liquide réfrigérant ou d'objets posés sur le dessus du réfrigérateur.
- Bruit d'éclatement - contraction/expansion des parois internes, particulièrement lors du refroidissement initial.
- Bruit d'écoulement d'eau - peut être entendu lorsque la glace fond lors du programme de dégivrage et que l'eau s'écoule dans le plateau de dégivrage.

La porte ne se ferme pas complètement

- La porte est-elle bloquée en position ouverte? Déplacer les emballages d'aliments pour libérer la porte.
- Un compartiment ou une tablette bloquent-ils le passage? Replacer le compartiment ou la tablette en position correcte.
- Le couvercle du bac à légumes fait-il obstruction? Vérifier que le couvercle du bac à légumes est enfoncé complètement de sorte que l'arrière repose sur les supports.

La porte est difficile à ouvrir

AVERTISSEMENT



Risque d'explosion

Utiliser un produit de nettoyage ininflammable.

Le non-respect de cette instruction peut causer un décès, une explosion ou un incendie.

- Les joints d'étanchéité sont-ils sales ou collants? Nettoyer les joints et les surfaces de contact au savon doux et à l'eau tiède. Rincer et sécher avec un linge doux.

Température et humidité

La température est trop élevée

- **S'agit-il d'une nouvelle installation?** Accorder 24 heures après l'installation pour que le réfrigérateur se refroidisse complètement.
- **La porte est ouverte fréquemment ou a été laissée ouverte?** Ceci permet à l'air chaud de pénétrer dans le réfrigérateur. Réduire le nombre d'ouvertures de la porte et la maintenir complètement fermée.
- **Une importante quantité d'aliments a-t-elle été ajoutée?** Accorder quelques heures pour que le réfrigérateur revienne à sa température normale.
- **La(Les) commande(s) est(sont)-elle(s) correcte(s) pour les conditions existantes?** Ajuster les commandes à un réglage plus froid. Vérifier la température au bout de 24 heures. Voir "Utilisation de la(des) commande(s)".

Il y a une accumulation d'humidité à l'intérieur

REMARQUE : Une certaine accumulation d'humidité est normale.

- **La pièce est-elle humide?** Ceci contribue à l'accumulation de l'humidité.
- **La porte est ouverte fréquemment ou a été laissée ouverte?** Ceci permet à l'air humide de pénétrer dans le réfrigérateur. Réduire le nombre d'ouvertures de la porte et la maintenir complètement fermée.

CONTRATS DE PROTECTION

Contrats principaux de protection

Nous vous félicitons d'avoir fait un achat judicieux. Votre nouvel appareil Kenmore® est conçu et fabriqué pour vous procurer des années de fonctionnement fiable. Mais comme pour tous les produits, il pourra à l'occasion nécessiter un entretien préventif ou une réparation. Le cas échéant, un Contrat principal de protection peut vous épargner de l'argent et des soucis.

Le Contrat principal de protection contribue aussi à prolonger la vie utile de votre nouvel appareil ménager. Le Contrat* inclut :

- ✓ **Pièces et main-d'œuvre nécessaires pour conserver les appareils en état de fonctionnement correct pendant une utilisation normale, pas uniquement les défaillances.** Notre couverture va bien au-delà de la garantie du produit. Aucune franchise, aucune anomalie de fonctionnement ne sont exclues de ce contrat - protection réelle.
- ✓ **Un service d'expert proposé par plus de 10 000 techniciens d'entretien Sears autorisés, ce qui signifie que quelqu'un de confiance prendra soin de votre produit.**
- ✓ **Appels de service illimités et service national, aussi souvent que vous en avez besoin et quand vous en avez besoin.**

- ✓ **Garantie "Anti-citron"** - remplacement de votre produit couvert si plus de quatre pannes se produisent en deçà de douze mois.
- ✓ **Remplacement du produit** si votre produit couvert ne peut être réparé.
- ✓ **Vérification annuelle d'entretien préventif sur demande** - sans frais supplémentaires.
- ✓ **Aide rapide par téléphone** - nous appelons cela **Résolution rapide** - support téléphonique d'un agent de Sears sur tous les produits. Considérez-nous comme un "manuel d'utilisateur parlant".
- ✓ **Protection contre les sautes de puissance** pour prévenir les dommages électriques attribuables aux fluctuations de courant.
- ✓ **Couverture pour la perte de nourriture de 250 \$ par an** sur tout aliment altéré en raison d'une défaillance mécanique sur tout réfrigérateur ou congélateur couvert.
- ✓ **Remboursement de location** si la réparation du produit couvert prend plus de temps que promis.
- ✓ **10 % de réduction sur le prix courant de toute intervention de réparation non couverte et pièces de rechange.**

Dès que vous achetez le Contrat, il suffit d'un appel téléphonique pour obtenir un rendez-vous de service. Vous pouvez appeler en tout temps jour et nuit ou prendre un rendez-vous de service en direct.

Le Contrat principal de protection constitue un investissement sans risque. Si vous annulez pour une quelconque raison pendant la période de garantie du produit, nous vous rembourserons intégralement ou nous vous verserons un remboursement au prorata après l'expiration de la période de garantie. Achetez votre Contrat principal de protection aujourd'hui même!

Certaines limitations et exclusions s'appliquent. Pour des prix et renseignements supplémentaires aux États-Unis, composez le 1-800-827-6655.

*Le contrat de couverture au Canada varie pour certains articles. Pour des informations détaillées, appelez Sears Canada au 1-800-361-6665.

Service d'installation Sears

Pour l'installation professionnelle garantie par Sears d'appareils ménagers et d'articles tels que les ouvre-portes de garage, chauffe-eau, et autres gros appareils ménagers, aux É.-U. ou au Canada, composez le 1-800-4-MY-HOME®.

ACCESSOIRES

Pièces de rechange :

Pour commander le nettoyeur pour acier inoxydable ou des filtres de rechange, composez le 1-800-4-MY-HOME® et demander le numéro de pièce ou contacter un marchand Kenmore autorisé.

Nettoyant et poli pour acier inoxydable :

Commander la pièce N° D22 M40083 R

Get it fixed, at your home or ours!

Your Home

For troubleshooting, product manuals and home solutions advice:

manage my home

www.managemyhome.com

For repair – **in your home** – of **all** major brand appliances, lawn and garden equipment, or heating and cooling systems, **no matter who made it, no matter who sold it!**

For the replacement parts, accessories and owner's manuals that you need to do-it-yourself.

For Sears professional installation of home appliances and items like garage door openers and water heaters.

1-800-4-MY-HOME[®] (1-800-469-4663)

Call anytime, day or night (U.S.A. and Canada)

www.sears.com www.sears.ca

Our Home

For repair of carry-in items like vacuums, lawn equipment, and electronics, call anytime for the location of your nearest

Sears Parts & Repair Service Center

1-800-488-1222 (U.S.A.)

www.sears.com

1-800-469-4663 (Canada)

www.sears.ca

To purchase a protection agreement on a product serviced by Sears:

1-800-827-6655 (U.S.A.)

1-800-361-6665 (Canada)

Para pedir servicio de reparación a domicilio, y para ordenar piezas:

1-888-SU-HOGAR[®]

(1-888-784-6427)

www.sears.com

Au Canada pour service en français:

1-800-LE-FOYER^{MC}

(1-800-533-6937)

www.sears.ca

Sears