

Frigidaire

Factory Parts Catalog

Product No.	FMV158FMB
Market	North America
Color	silver mist
Volts	120
Watts	1000
Wiring Diagram	5995520193
Owner's Guide	316488512
Installation Instructions	316488506



Electrolux Major Appliances
North & Latin America
P.O. BOX 212378
AUGUSTA, GA 30917

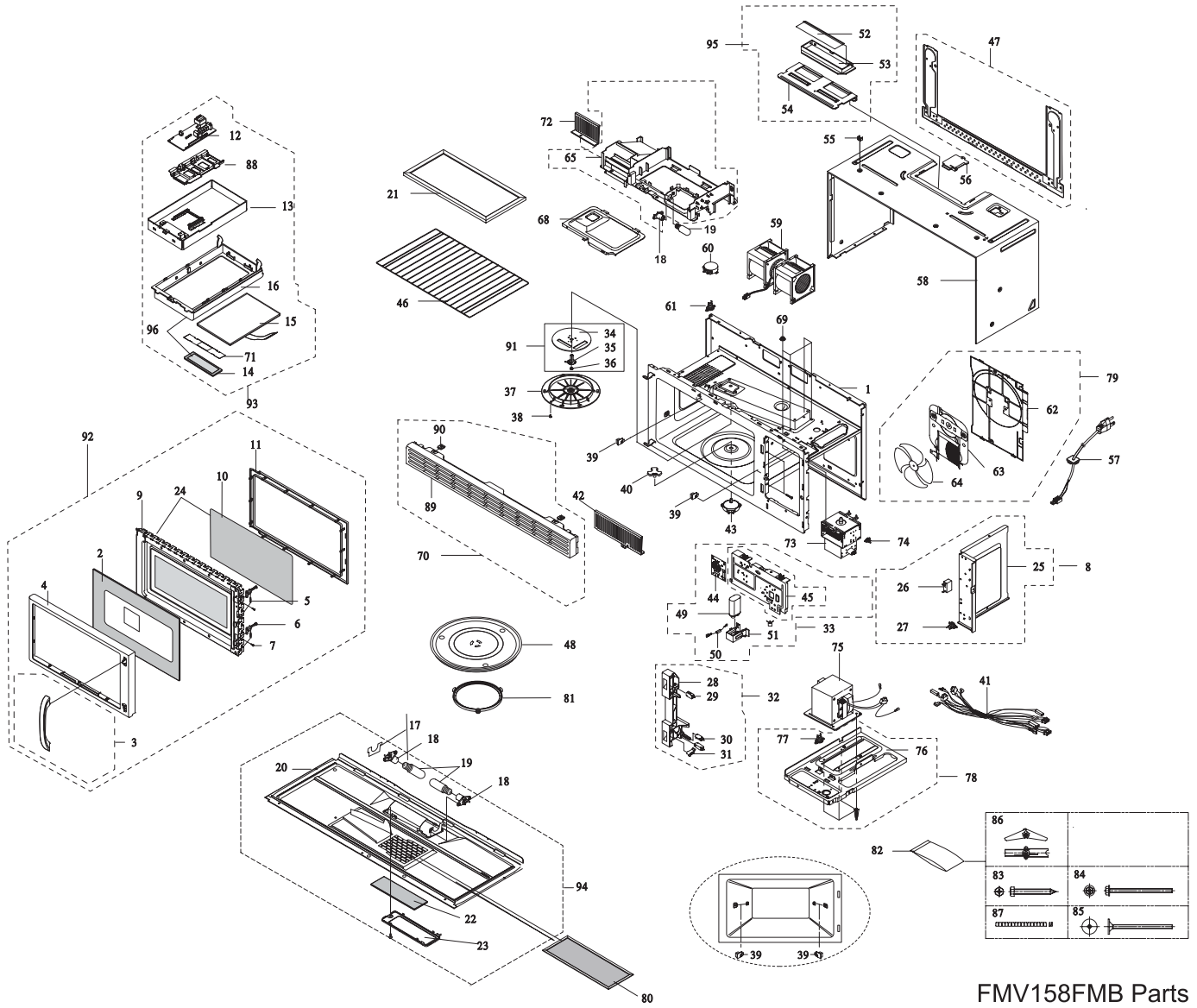
Publication No.
5995520193
08/07/30
(EN/SERVICE/KC)
099

**OVER-RANGE
MICROWAVE**

Model No.
FMV158F

Copyright © 2008 Electrolux Home Products, Inc.
All rights reserved.

RECOMMENDED SPARE PARTS

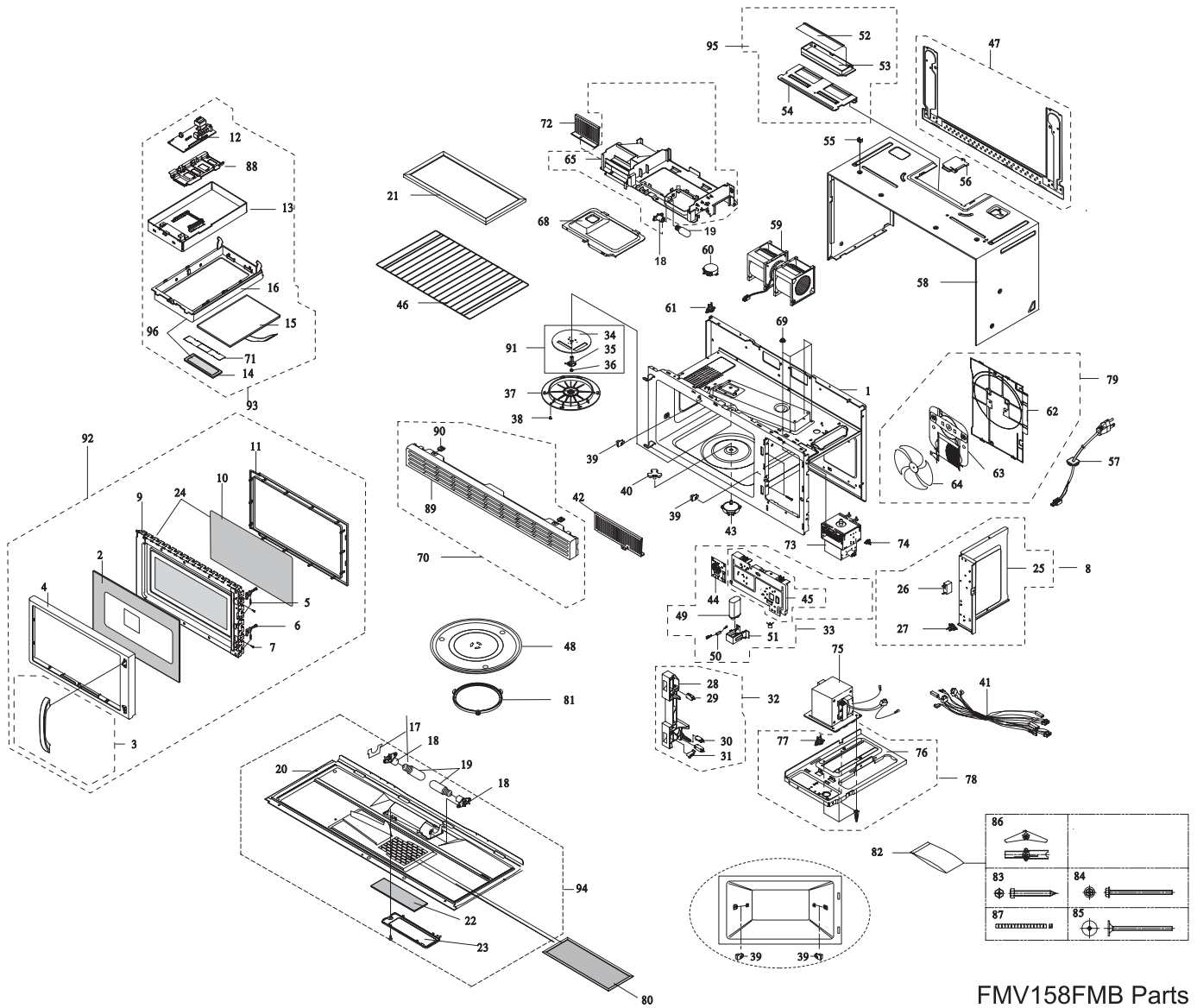


FMV158FMB Parts

RECOMMENDED SPARE PARTS

POS. NO	PART NO.	DESCRIPTION
1	5304456147	Cavity, oven, assembly
2	5304456148	Screen, door
3	5304456149	Handle, door
4	5304456150	Panel, outer door
5	5304456151	Spring, latch, (2)
6	5304456152	Latch, door
7	5304456153	Pin, hinge, (2)
8 #	5304468546	Duct, intake, side, w/electricals
9	5304468547	Panel, inner door
10	5304456118	Seal, door, film
11	5304456117	Frame, choke cover, inner door
12 #	5304468548	Control Board, printed circuit
13	5304456156	Panel, control mount, bracket
14	5304456157	Window, display
15 #	5304456158	Switch, touch pad, membrane
16	5304456159	Frame, control panel
17	5304468549	Bracket, lamp mount
18 #	5304456067	Lampholder, socket
19	5304456066	Lamp, incandescent
20	5304456083	Cover, unit base
21 #	5304456566	Filter, charcoal
22	5304456087	Lens, cooktop lamp, glass
23	5304456085	Frame, lens holder
24	5304456165	Panel, inner door, w/seal
25	5304456166	Duct, intake, side
26 #	5304456068	Capacitor, motor
27 #	5304456167	Thermostat, motor
28	5304456168	Latch Hook
29 #	5304456100	Switch, micro, (2)
30 #	5304456101	Switch, micro
31	5304456099	Lever, switch, lower
32 #	5304456098	Latch Hook Assembly, w/switches
33 #	5304468550	Air Guide Assy, w/electricals
34 #	5304456169	Fan Blade, stirrer
35	5304456170	Holder, stirrer
36	5304456171	Tip, stirrer
37	5304456141	Cover, stirrer
38	5304456142	Button, lock
39	5304456172	Holder, rack, (4)
40	5304456173	Coupler, turntable/motor
41 #	5304468551	Wiring Harness, main-A
42	5304456174	Cover, front
43 #	5304456175	Motor, drive
44 #	5304456082	Filter, noise, electronic
45	5304456176	Bracket, air guide
46	5304456196	Rack, wire
47	5304456197	Bracket, mounting plate, rear
48	5304456198	Tray, turntable
49 #	5304456177	Capacitor, air guide assy
50 #	5304456178	Diode, high voltage
51	5304456179	Bracket, capacitor

RECOMMENDED SPARE PARTS



FMV158FMB Parts

RECOMMENDED SPARE PARTS

POS. NO	PART NO.	DESCRIPTION
52	5304457620	Cover, damper
53	5304456126	Damper, main
54	5304456180	Bracket, vent motor
55	5304456122	Nut, holder assembly, (2)
56	5304456181	Bracket, power cord
57 #	5304456128	Power Cord, electric
58	5304468552	Cabinet, outer casing
59 #	5304468553	Motor, hood fan
60 #	5304456184	Motor, synchronous
61 #	5304456094	Thermostat, upper
62	5304456211	Cover, motor
63 #	5304468554	Motor, cooling fan
64 #	5304456213	Fan Blade
65	5304456188	Duct, upper
68	5304456189	Bracket, duct assembly, upper
69	5304456190	Nut, flange, (4)
70	5304456191	Grille, assembly
71	5304456192	Film, display window
72	5304456202	Bracket, filter
73 #	5304456105	Magnetron Assembly
74 #	5304456106	Thermostat
75 #	5304456193	Transformer, high voltage
76	5304468555	Base, transformer
77 #	5304456139	Thermostat, RH, lower
78 #	5304468556	Base, transformer, w/thermostat
79 #	5304468557	Fan Motor Assembly
80 #	5304465235	Filter, air
81	5304456199	Guide, roller assembly
82	5304456200	Hardware Assembly, mounting
83	5304456135	Screw, machine, inch
84	5304456136	Bolt, toggle, (3)
85	5304456138	Bolt, flat head, (3)
86	5304456134	Nut, toggle, (3)
87	5304456137	Grommet, nylon, (2)
88	5304456214	Holder, LED
89	5304456215	Grille
90	5304456216	Clip, grille
91 #	5304456203	Stirrer, assembly
92	5304456204	Door Complete, assembly
93 #	5304456205	Control Box, assembly
94 #	5304468558	Cover Assembly, unit base
95	5304457619	Damper Assembly, hood
96 #	5304456208	Control Panel, assembly
*	316488512	Owners Manual
*	316488506	Installation Instructions
*	316488508	Template, installation, top
*	316488507	Template, installation, wall

WIRING SCHEMATIC

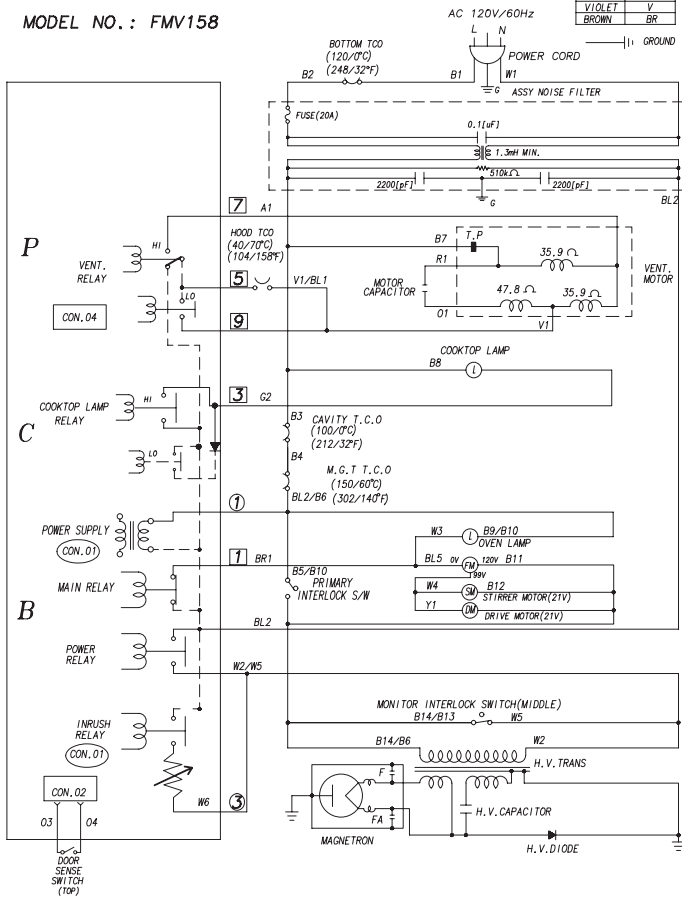
SCHEMATIC DIAGRAM

WARNING

POWER MUST BE DISCONNECTED BEFORE SERVICING THIS APPLIANCE.

COLOR	SYMBOL
GRAY	GR
WHITE	W
BLACK	B
RED	R
BLUE	BL
ORANGE	O
YELLOW	Y
GREEN	G
PINK	P
AZURE	A
VIOLET	V
BROWN	BR

MODEL NO.: FMV158



WIRING DIAGRAM

WARNING

POWER MUST BE DISCONNECTED BEFORE SERVICING THIS APPLIANCE.

COLOR	SYMBOL
GRAY	GR
WHITE	W
BLACK	B
RED	R
BLUE	BL
ORANGE	O
YELLOW	Y
GREEN	G
PINK	P
AZURE	A
VIOLET	V
BROWN	BR

MODEL NO.: FMV158

