

Installation Instructions



15" Built-In Compactors

GCG1580 SS

GCG1500 BB

GCG1500 WW

GCG1700 II*

ZCGS150 SS

ZCGP150 II*

*For ZCGP150 II and GCG1700 II,
also refer to the instructions
provided on the template packed
with those models.

Safety Information



BEFORE YOU BEGIN

Read these instructions completely and carefully.

- **IMPORTANT** – Save these instructions for local inspector's use.
- **IMPORTANT** – Observe all governing codes and ordinances.
- **Note to Installer** – Be sure to leave these instructions with the Consumer.
- **Note to Consumer** – Keep these instructions with your Owner's Manual for future reference.
- **Skill Level** – Installation of this appliance requires basic mechanical and electrical skills.
- **Completion time** – 1 hour.
- Proper installation is the responsibility of the installer.
- Product failure due to improper installation is not covered under the Warranty. See Owner's Manual for warranty information.

IMPORTANT

- Use this compactor only for its intended purpose.
- This compactor is designed for BUILT-IN installations ONLY.



WARNING!

Do not allow items to fall or collect behind the compactor. Failure to follow this instruction could result in a fire.



CAUTION:

For personal safety, remove house fuse or oven circuit breaker before beginning installation to avoid severe or fatal shock injury.

CONTENTS

Design Information

Models Available	3
Product Dimensions and Clearances.....	3
Tools Required	3
Parts Supplied	3

Advance Planning

Clearances	4
Models with a Custom Drawer Panel	4

Installation Preparation

Electrical Requirements	5
Grounding Requirements	5
Unpacking the Compactor	6
Leveling the Compactor	7
Adjusting the Retaining Bracket.....	7
Adjusting the Base Toekick	7

Installation Instructions

Position the Compactor under the Countertop.....	8
Attach the Compactor to the Countertop	8
Reinstall the Compactor Drawer.....	9
Installation of the Trash Bag Caddy	9
Finalize Installation	9

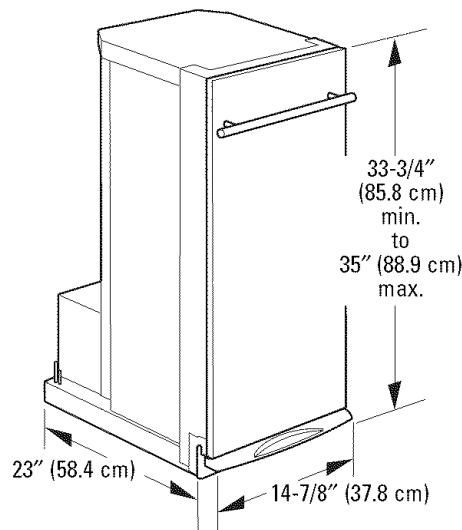
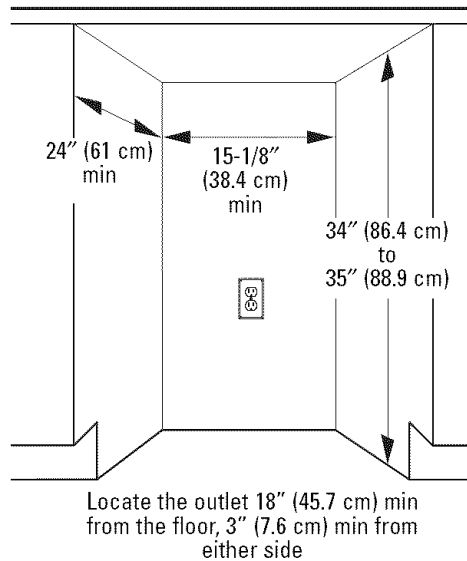
Design Information

MODELS AVAILABLE

GCG1580 SS
GCG1500 BB
GCG1500 WW
GCG1700 II*
ZCGS150 SS
ZCGP150 II*

*For ZCGP150 II and GCG1700 II, also refer to the instructions provided on the template packed with those models.

PRODUCT DIMENSIONS AND CLEARANCES



- Allow 23" (58.4 cm) clearance at the front for a full drawer opening.
- Allow 6" (15.2 cm) clearance on the right side to the nearest vertical wall or cabinet for bag removal.
- **Note:** This compactor is designed for built-in applications only.

TOOLS REQUIRED

- Level
- Phillips Screwdriver
- Pliers
- Gloves
- Measuring Tape

PARTS SUPPLIED

- 6 mounting screws (located in the literature package)
- 2 countertop retaining brackets
- 2 side mounting clips

ADVANCE PLANNING

CLEARANCES

- You should be able to fully open the compactor drawer. Six inches (15.2 cm) is required on the right side of the compactor for bag removal.
- Allow 23 inches (58.4 cm) in front of the compactor to remove the drawer.
- This compactor is designed as a built-in appliance only. It may be located in any convenient space under a countertop. **DO NOT OPERATE FREE-STANDING.**
- The compactor may be installed beneath countertops of stone or other materials that will not accept screws. No trim kit is required.

The compactor must be securely installed in a cabinet that is firmly attached to the house structure. Weight on the compactor drawer could cause the compactor to tip and result in injury. Never allow anyone to climb, sit or hang on the compactor drawer.

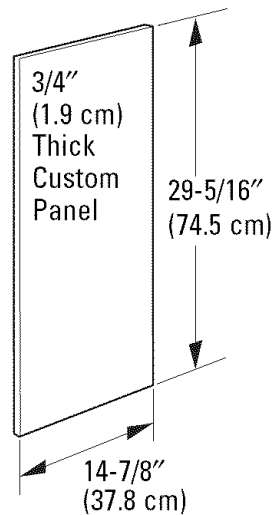
MODELS WITH A CUSTOM DRAWER PANEL

Models ZCGP150 II and GCG1700 II

The custom drawer panel and custom handle of your choice should be secured to the compactor before installation begins. A template with instructions and installation hardware is provided with those models. For planning purposes, you may order the template in advance. Order Pub. No. 31-30597. Complete panel installation instructions are included on the template.

CUSTOM PANEL SIZE REQUIREMENTS:

Maximum panel weight is 12 LBS (5.4 kg).



Installation Preparation

ELECTRICAL REQUIREMENTS



WARNING!

FOR PERSONAL SAFETY: Remove house fuse or open circuit breaker before beginning installation. Do not use an extension cord or adapter plug with this appliance.

- The power supply cord and plug should be brought to a separate 15 or 20 ampere branch circuit single grounded receptacle. The outlet box should be located within reach of the 36" (91.4 cm) power cord.
- This appliance must be supplied with 120V, 60Hz and connected to an individual properly grounded branch circuit, protected by a 15 or 20 ampere circuit breaker or time delay fuse.
- If the electrical supply does not meet the above requirements, call a licensed electrician before proceeding.

IMPORTANT: Observe all governing codes and ordinances.

GROUNDING REQUIREMENTS



WARNING!

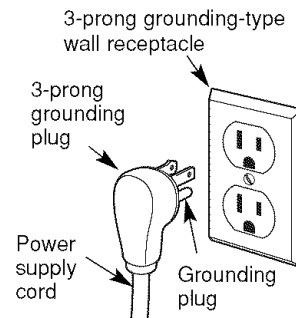
The improper connection of the equipment grounding conductor can result in a risk of electric shock. Check with a qualified electrician or service representative if you are in doubt that the appliance is properly grounded.

- Electrical Ground is **REQUIRED** on this compactor.
- **DO NOT** ground to a gas pipe.
- **DO NOT** change the power supply cord plug. If it does not fit the outlet, have a proper outlet installed by a qualified electrician.
- **DO NOT** have a fuse in the neutral or grounding circuit. A fuse in the neutral or grounding circuit could result in an electrical shock.
- **DO NOT** use an extension cord with this compactor.

Failure to follow these instructions could result in death or serious injury.

Recommended Grounding Method:

For your personal safety, this appliance must be grounded. This appliance is equipped with a power supply cord having a 3-prong grounding plug. To minimize possible shock hazard, the cord must be plugged into a mating 3-prong grounding type wall receptacle, grounded in accordance with the National Electrical Code ANSI/NFPA70—latest edition* and all local codes and ordinances. If a mating wall receptacle is not available, it is the personal responsibility and obligation of the customer to have a properly grounded 3-prong wall receptacle installed by a qualified electrician.



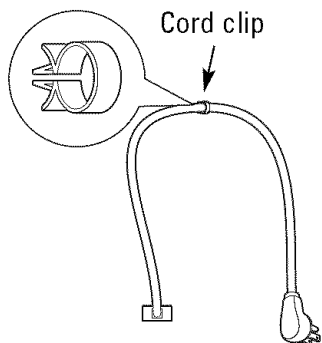
Copies of the standards listed may be obtained from:

* National Fire Protection Association
Batterymarch Park,
Quincy, MA 02260

Installation Preparation

1 UNPACKING THE COMPACTOR

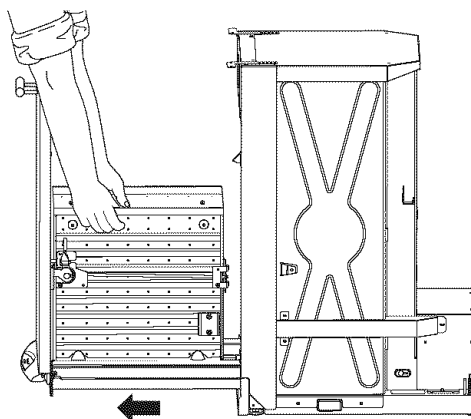
- Move the compactor close to the installation location.
- Use a section of the shipping carton to protect the finished floor.
- Do not use the handle to lift the compactor.
- Remove all protective packaging materials such as tape or shipping pads. Remove waxy residue caused by shipping material with a mild solution of liquid household cleaner and water.
- Check that the power supply cord is attached to the cord clip on the rear of the compactor.



IMPORTANT: Use the shipping carton as a pad. Do not slide the compactor across a finished floor. Damage will occur.

UNPACKING THE COMPACTOR (CONT.)

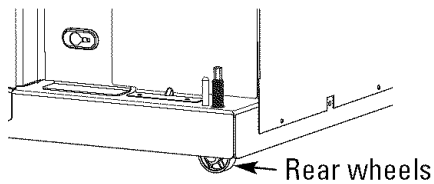
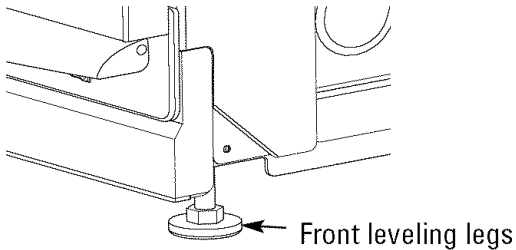
- Open the compactor drawer and remove any shipping materials or other items shipped in the drawer.
- Do not remove the compactor bag (if installed).
- Grasp the sides of the drawer and lift it out of the compactor. Place the drawer on a protected surface. The drawer can scratch a finished floor.



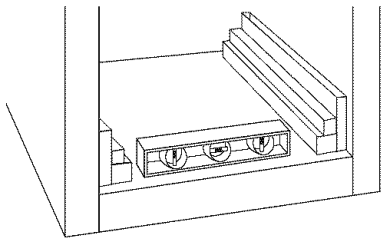
Installation Preparation

2 LEVELING THE COMPACTOR

- The top of the compactor should be at least 1/8" (3 mm) from the top of the cabinet opening. You can adjust the height of the compactor by turning the screws on the front leveling legs and rear wheels.



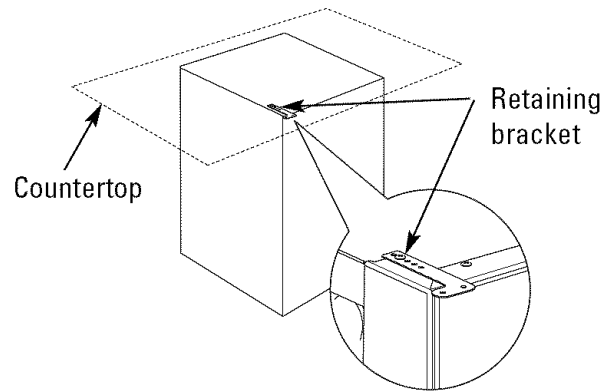
- Place a level inside the compactor on the floor of the cabinet.



- Use the leveling legs to adjust level front to back and side to side.

3 ADJUST THE RETAINING BRACKET

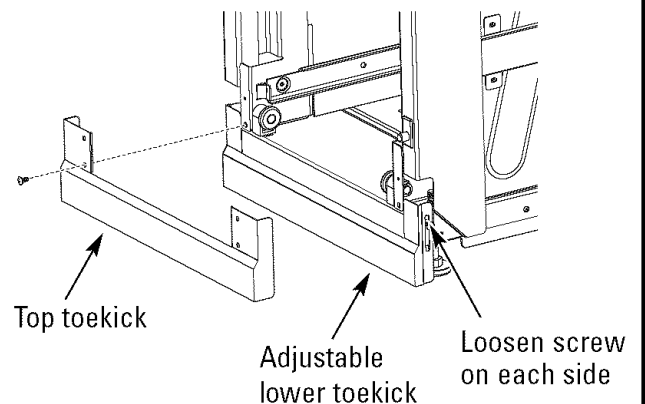
- Determine installation depth of the compactor beneath the countertop.
- Adjust the position of the retaining brackets so that the screws can meet the underside of the countertop.
- Mounting clips are provided for stone or other hard countertops that will not accept screws.



4 ADJUSTING THE BASE TOEKICK

A toekick extension is supplied. It can be used to cover any gaps from the bottom of the compactor to the floor.

- Remove the top toekick screws as shown. Lift off top toekick piece.
- Loosen the base toekick screws, adjust to touch the floor and tighten the screws.
- Reinstall the top toekick piece with the original screws.



Installation

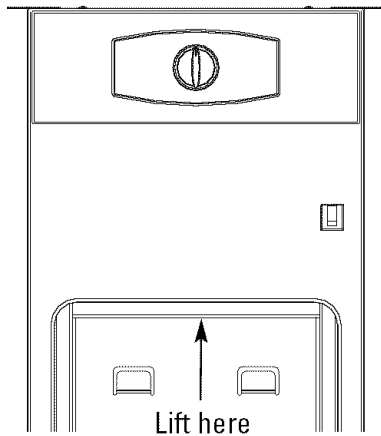
5 POSITION COMPACTOR UNDER THE COUNTERTOP



WARNING!

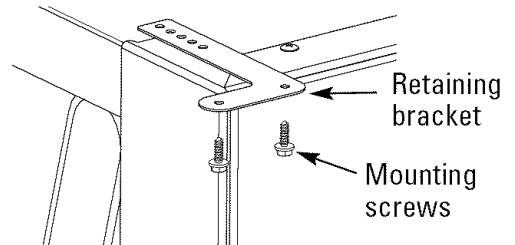
When moving the compactor, use gloves to protect and cushion your hands. To protect the finished flooring, use a dolly to move the compactor near the installation location. Failure to follow these instructions could result in injury.

- Plug the power cord into a properly grounded receptacle.
- Carefully lift the front of the compactor slightly and roll the unit into the cabinet opening until the retaining brackets stop.

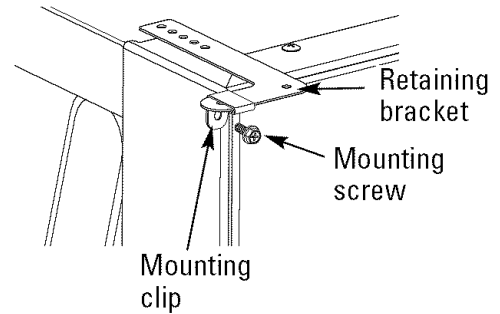


6 ATTACH THE COMPACTOR TO THE COUNTERTOP

- Use two #8-18 x 1/2" (45.7 cm x 1.3 cm) mounting screws to fasten the retaining brackets at the top of the compactor to the underside of the countertop.



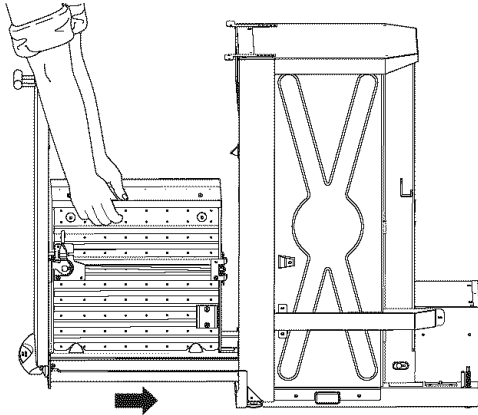
- If the brackets cannot be attached to the underside of the countertop, attach mounting clips to the bracket. Fasten the compactor to the cabinet front with mounting screws through the mounting clips.



Installation

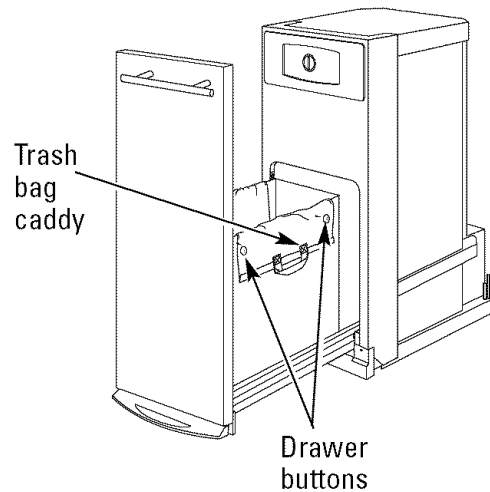
7 REINSTALL THE COMPACTOR DRAWER

- Grasp the sides of the drawer. Carefully slide the drawer into the compactor.



8 INSTALLATION OF THE TRASH BAG CADDY (on some models)

- Set the bag caddy into the drawer and hook the pre-punched holes in the caddy on the drawer buttons.
- Set the trash bag into the bag caddy and fold over.
- Hook the holes in the bag over the drawer buttons.



9 FINALIZE THE INSTALLATION

- Turn power on at the source.
- Refer to your Owner's Manual for operating instructions.

Notes

Notes

NOTE: While performing installations described in this book, safety glasses or goggles should be worn.

NOTE: Product improvement is a continuing endeavor at General Electric. Therefore, materials, appearance and specifications are subject to change without notice.



GE Consumer & Industrial
Appliances
General Electric Company
Louisville, KY 40225
ge.com

Pub. No. 31-30596
206C1559P140

08-05 JR

Printed in China