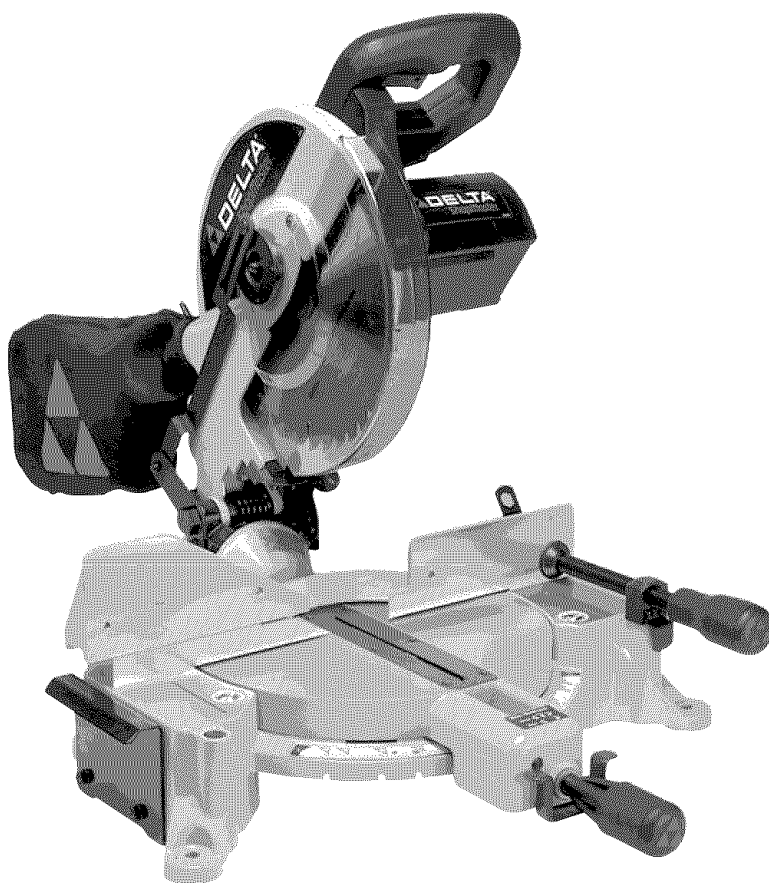


10" Compound Power Miter Saw (Model MS350)



PART NO. 906068 - 05-30-02
Copyright © 2002 Delta Machinery



To learn more about DELTA MACHINERY
visit our website at: www.deltamachinery.com.

For Parts, Service, Warranty or other Assistance,

please call **1-800-223-7278** (In Canada call **1-800-463-3582**).

ESPAÑOL: PÁGINA 21

GENERAL SAFETY RULES

Woodworking can be dangerous if safe and proper operating procedures are not followed. As with all machinery, there are certain hazards involved with the operation of the product. Using the machine with respect and caution will considerably lessen the possibility of personal injury. However, if normal safety precautions are overlooked or ignored, personal injury to the operator may result. Safety equipment such as guards, push sticks, hold-downs, featherboards, goggles, dust masks and hearing protection can reduce your potential for injury. But even the best guard won't make up for poor judgment, carelessness or inattention. Always use common sense and exercise caution in the workshop. If a procedure feels dangerous, don't try it. Figure out an alternative procedure that feels safer. **REMEMBER:** Your personal safety is your responsibility.

This machine was designed for certain applications only. Delta Machinery strongly recommends that this machine not be modified and/or used for any application other than that for which it was designed. If you have any questions relative to a particular application, **DO NOT** use the machine until you have first contacted Delta to determine if it can or should be performed on the product.

Technical Service Manager
Delta Machinery
4825 Highway 45 North
Jackson, TN 38305
(IN CANADA: 505 SOUTHGATE DRIVE, GUELPH, ONTARIO N1H 6M7)

 **WARNING: FAILURE TO FOLLOW THESE RULES MAY RESULT IN SERIOUS PERSONAL INJURY**

1. **FOR YOUR OWN SAFETY, READ INSTRUCTION MANUAL BEFORE OPERATING THE TOOL.** Learn the tool's application and limitations as well as the specific hazards peculiar to it.

2. **KEEP GUARDS IN PLACE** and in working order.

3. **ALWAYS WEAR EYE PROTECTION.** Wear safety glasses. Everyday eyeglasses only have impact resistant lenses; they are not safety glasses. Also use face or dust mask if cutting operation is dusty. These safety glasses must conform to ANSI Z87.1 requirements. **NOTE:** Approved glasses have Z87 printed or stamped on them.

4. **REMOVE ADJUSTING KEYS AND WRENCHES.** Form habit of checking to see that keys and adjusting wrenches are removed from tool before turning it "on".

5. **KEEP WORK AREA CLEAN.** Cluttered areas and benches invite accidents.

6. **DON'T USE IN DANGEROUS ENVIRONMENT.** Don't use power tools in damp or wet locations, or expose them to rain. Keep work area well-lighted.

7. **KEEP CHILDREN AND VISITORS AWAY.** All children and visitors should be kept a safe distance from work area.

8. **MAKE WORKSHOP CHILDPROOF** – with padlocks, master switches, or by removing starter keys.

9. **DON'T FORCE TOOL.** It will do the job better and be safer at the rate for which it was designed.

10. **USE RIGHT TOOL.** Don't force tool or attachment to do a job for which it was not designed.

11. **WEAR PROPER APPAREL.** No loose clothing, gloves, neckties, rings, bracelets, or other jewelry to get caught in moving parts. Nonslip footwear is recommended. Wear protective hair covering to contain long hair.

12. **SECURE WORK.** Use clamps or a vise to hold work when practical. It's safer than using your hand and frees both hands to operate tool.

13. **DON'T OVERREACH.** Keep proper footing and balance at all times.

14. **MAINTAIN TOOLS IN TOP CONDITION.** Keep tools sharp and clean for best and safest performance. Follow instructions for lubricating and changing accessories.

15. **DISCONNECT TOOLS** before servicing and when changing accessories such as blades, bits, cutters, etc.

16. **USE RECOMMENDED ACCESSORIES.** The use of accessories and attachments not recommended by Delta may cause hazards or risk of injury to persons.

17. **REDUCE THE RISK OF UNINTENTIONAL STARTING.** Make sure switch is in "OFF" position before plugging in power cord. In the event of a power failure, move switch to the "OFF" position.

18. **NEVER STAND ON TOOL.** Serious injury could occur if the tool is tipped or if the cutting tool is accidentally contacted.

19. **CHECK DAMAGED PARTS.** Before further use of the tool, a guard or other part that is damaged should be carefully checked to ensure that it will operate properly and perform its intended function – check for alignment of moving parts, binding of moving parts, breakage of parts, mounting, and any other conditions that may affect its operation. A guard or other part that is damaged should be properly repaired or replaced.


20. **DIRECTION OF FEED.** Feed work into a blade or cutter against the direction of rotation of the blade or cutter only.

21. **NEVER LEAVE TOOL RUNNING UNATTENDED. TURN POWER OFF.** Don't leave tool until it comes to a complete stop.

22. **STAY ALERT, WATCH WHAT YOU ARE DOING, AND USE COMMON SENSE WHEN OPERATING A POWER TOOL. DO NOT USE TOOL WHILE TIRED OR UNDER THE INFLUENCE OF DRUGS, ALCOHOL, OR MEDICATION.** A moment of inattention while operating power tools may result in serious personal injury.

23. **MAKE SURE TOOL IS DISCONNECTED FROM POWER SUPPLY** while motor is being mounted, connected or reconnected.

24. **THE DUST GENERATED** by certain woods and wood products can be injurious to your health. Always operate machinery in well ventilated areas and provide for proper dust removal. Use wood dust collection systems whenever possible.

25.  **WARNING: SOME DUST CREATED BY POWER SANDING, SAWING, GRINDING, DRILLING, AND OTHER CONSTRUCTION ACTIVITIES** contains chemicals known to cause cancer, birth defects or other reproductive harm. Some examples of these chemicals are:

- lead from lead-based paints,
- crystalline silica from bricks and cement and other masonry products, and
- arsenic and chromium from chemically-treated lumber.

Your risk from these exposures varies, depending on how often you do this type of work. To reduce your exposure to these chemicals: work in a well ventilated area, and work with approved safety equipment, such as those dust masks that are specially designed to filter out microscopic particles.

ADDITIONAL SAFETY RULES FOR MITER SAWS



WARNING: FAILURE TO FOLLOW THESE RULES MAY RESULT IN SERIOUS PERSONAL INJURY.

1. **DO NOT OPERATE THIS MACHINE UNTIL** it is **assembled** and **installed** according to the instructions.
2. **OBTAIN ADVICE** from your supervisor, instructor, or another qualified person if you are not familiar with the operation of this machine.
3. **FOLLOW ALL WIRING CODES** and recommended electrical connections.
4. **USE ONLY CROSS-CUTTING SAW BLADES.** When using carbide-tipped blades, make sure they have a negative hook angle. Do not use blades with deep gullets as they can deflect and contact guard.
5. **DO NOT** perform any operation freehand. Secure or clamp workpiece firmly against fence.
6. **KEEP HANDS OUT OF PATH** of saw blade. If the workpiece you are cutting would cause your hand to be within the hazard zone of the saw blade, the workpiece should be clamped in place before making cut.
7. **BE SURE** blade is sharp, runs free, and is free of vibration.
8. **ALLOW** the motor to come up to full speed before starting cut.
9. **KEEP** motor air slots clean and free of chips.
10. **ALWAYS MAKE SURE** all clamp handles are tight before cutting, even if the table is positioned in one of the positive stops.
11. **BE SURE** blade and flanges are clean and that arbor screw is tightened securely.
12. **USE** only blade flanges specified for your saw.
13. **USE PROPER BLADE SIZE** and type.
14. **NEVER** apply lubricants to the blade when it is running.
15. **ALWAYS** check the blade for cracks or damage before operation. Replace cracked or damaged blade immediately.
16. **NEVER** reach around or behind saw blade.
17. **MAKE SURE** blade is not contacting workpiece before switch is turned on.
18. **NEVER** lock the switch in the "ON" position.
19. **AFTER COMPLETING CUT,** release power switch and wait for coasting blade to stop before returning saw to raised position.
20. **TURN OFF** tool and wait for saw blade to stop before moving workpiece or changing settings.
21. **DO NOT** remove jammed or cut-off pieces until blade has stopped.
22. **NEVER** cut ferrous metals or masonry.
23. **NEVER** recut small pieces.
24. **PROPERLY SUPPORT LONG OR WIDE** workpieces.
25. **NEVER** use the miter saw in an area with flammable liquids or gases.
26. **NEVER** use solvents to clean plastic parts. Solvents could possibly dissolve or otherwise damage the material. Only a soft damp cloth should be used to clean plastic parts.
27. **TURN THE MACHINE "OFF" AND DISCONNECT THE MACHINE** from the power source before installing or removing accessories, before adjusting or changing set-ups, or when making repairs.
28. **TURN THE MACHINE "OFF",** disconnect the machine from the power source, and clean the table/work area before leaving the machine. **LOCK THE SWITCH IN THE "OFF" POSITION** to prevent unauthorized use.
29. **ADDITIONAL INFORMATION** regarding the safe and proper operation of this tool is available from the Power Tool Institute, 1300 Summer Avenue, Cleveland, OH 44115-2851. Information is also available from the National Safety Council, 1121 Spring Lake Drive, Itasca, IL 60143-3201. Please refer to the American National Standards Institute ANSI 01.1 Safety Requirements for Woodworking Machines and the U.S. Department of Labor OSHA 1910.213 Regulations.

**SAVE THESE INSTRUCTIONS.
Refer to them often
and use them to instruct others.**

POWER CONNECTIONS

A separate electrical circuit should be used for your machines. This circuit should not be less than #12 wire and should be protected with a 20 Amp time lag fuse. If an extension cord is used, use only 3-wire extension cords which have 3-prong grounding type plugs and matching receptacle which will accept the machine's plug. Before connecting the motor to the power line, make sure the switch is in the "OFF" position and be sure that the electric current is of the same characteristics as indicated on the machine. All line connections should make good contact. Running on low voltage will damage the motor.

⚠ WARNING: DO NOT EXPOSE THE MACHINE TO RAIN OR OPERATE THE MACHINE IN DAMP LOCATIONS.

MOTOR SPECIFICATIONS

Your machine is wired for 120 volt, 60 HZ alternating current. Before connecting the machine to the power source, make sure the switch is in the "OFF" position.

GROUNDING INSTRUCTIONS

⚠ WARNING: THIS MACHINE MUST BE GROUNDED WHILE IN USE TO PROTECT THE OPERATOR FROM ELECTRIC SHOCK.

1. All grounded, cord-connected machines:

In the event of a malfunction or breakdown, grounding provides a path of least resistance for electric current to reduce the risk of electric shock. This machine is equipped with an electric cord having an equipment-grounding conductor and a grounding plug. The plug must be plugged into a matching outlet that is properly installed and grounded in accordance with all local codes and ordinances.

Do not modify the plug provided - if it will not fit the outlet, have the proper outlet installed by a qualified electrician.

Improper connection of the equipment-grounding conductor can result in risk of electric shock. The conductor with insulation having an outer surface that is green with or without yellow stripes is the equipment-grounding conductor. If repair or replacement of the electric cord or plug is necessary, do not connect the equipment-grounding conductor to a live terminal.

Check with a qualified electrician or service personnel if the grounding instructions are not completely understood, or if in doubt as to whether the machine is properly grounded.

Use only 3-wire extension cords that have 3-prong grounding type plugs and matching 3-conductor receptacles that accept the machine's plug, as shown in Fig. A.

Repair or replace damaged or worn cord immediately.

2. Grounded, cord-connected machines intended for use on a supply circuit having a nominal rating less than 150 volts:

If the machine is intended for use on a circuit that has an outlet that looks like the one illustrated in Fig. A, the machine will have a grounding plug that looks like the plug illustrated in Fig. A. A temporary adapter, which looks like the adapter illustrated in Fig. B, may be used to connect this plug to a matching 2-conductor receptacle as shown in Fig. B if a properly grounded outlet is not available. The temporary adapter should be used only until a properly grounded outlet can be installed by a qualified electrician. The green-colored rigid ear, lug, and the like, extending from the adapter must be connected to a permanent ground such as a properly grounded outlet box. Whenever the adapter is used, it must be held in place with a metal screw.

NOTE: In Canada, the use of a temporary adapter is not permitted by the Canadian Electric Code.

⚠ WARNING: IN ALL CASES, MAKE CERTAIN THE RECEPTACLE IN QUESTION IS PROPERLY GROUNDED. IF YOU ARE NOT SURE, HAVE A QUALIFIED ELECTRICIAN CHECK THE RECEPTACLE.

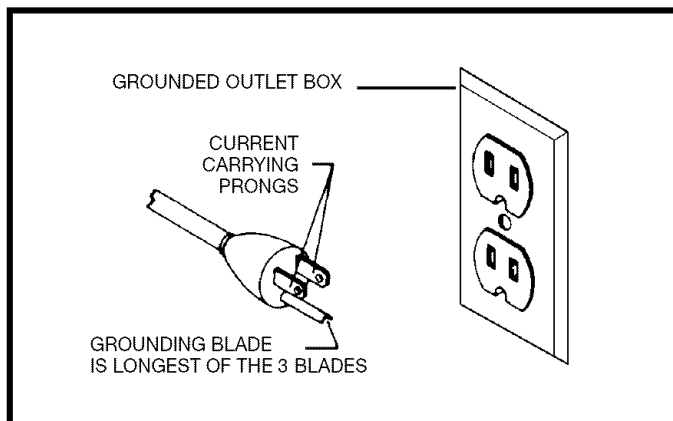


Fig. A

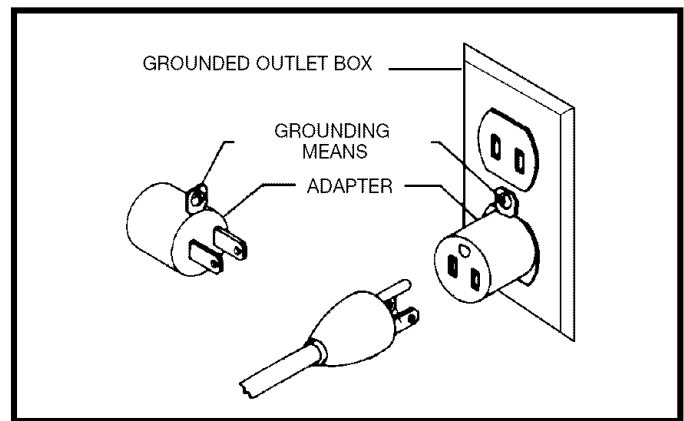


Fig. B

EXTENSION CORDS

Use proper extension cords. Make sure your extension cord is in good condition and is a 3-wire extension cord which has a 3-prong grounding type plug and matching receptacle which will accept the machine's plug. When using an extension cord, be sure to use one heavy enough to carry the current of the machine. An undersized cord will cause a drop in line voltage, resulting in loss of power and overheating. Fig. C shows the correct gauge to use depending on the cord length. If in doubt, use the next heavier gauge. The smaller the gauge number, the heavier the cord.

MINIMUM GAUGE EXTENSION CORD			
RECOMMENDED SIZES FOR USE WITH STATIONARY ELECTRIC MACHINES			
Ampere Rating	Volts	Total Length of Cord in Feet	Gauge of Extension Cord
0-6	120	up to 25	18 AWG
0-6	120	25-50	16 AWG
0-6	120	50-100	16 AWG
0-6	120	100-150	14 AWG
6-10	120	up to 25	18 AWG
6-10	120	25-50	16 AWG
6-10	120	50-100	14 AWG
6-10	120	100-150	12 AWG
10-12	120	up to 25	16 AWG
10-12	120	25-50	16 AWG
10-12	120	50-100	14 AWG
10-12	120	100-150	12 AWG
12-16	120	up to 25	14 AWG
12-16	120	25-50	12 AWG
12-16	120	GREATER THAN 50 FEET NOT RECOMMENDED	

Fig. C

OPERATING INSTRUCTIONS

FOREWORD

Delta Model MS350 is a 10" Compound Power Miter Saw designed to cut wood, plastic, and aluminum. Compound angle and bevel cutting are easy and accurate. It can crosscut up to 5-3/4" x 2-3/8" at the 90 degree position, miter at 45 degrees, both left and right 4-1/8" x 2-3/8", bevel at 45 degrees left 5-1/2" x 1-9/16", and compound 45 x 45 degrees 4-1/8" x 1-9/16". It has positive miter stops at 0, 22.5, 31.62, and 45 degrees both left and right, and bevel stops at 0 and 45 degrees adjustable.

UNPACKING AND CLEANING

Carefully unpack the machine and all loose items from the shipping container(s). Remove the protective coating from all unpainted surfaces. This coating may be removed with a soft cloth moistened with kerosene (do not use acetone, gasoline or lacquer thinner for this purpose). After cleaning, cover the unpainted surfaces with a good quality household floor paste wax.

CARTON CONTENTS

Remove the miter saw and all loose items from the carton. **IMPORTANT: CARRYING THE MACHINE BY THE SWITCH HANDLE WILL CAUSE MISALIGNMENT. ALWAYS LIFT THE MACHINE BY THE BASE OR BY THE CARRYING HANDLE (See Fig. 29C).** Fig. 2 illustrates the machine and all loose items after they have been removed from the carton.

- 1 - Miter Saw
- 2 - Dust Bag
- 3 - Wrenches for changing the blade
- 4 - Clamp

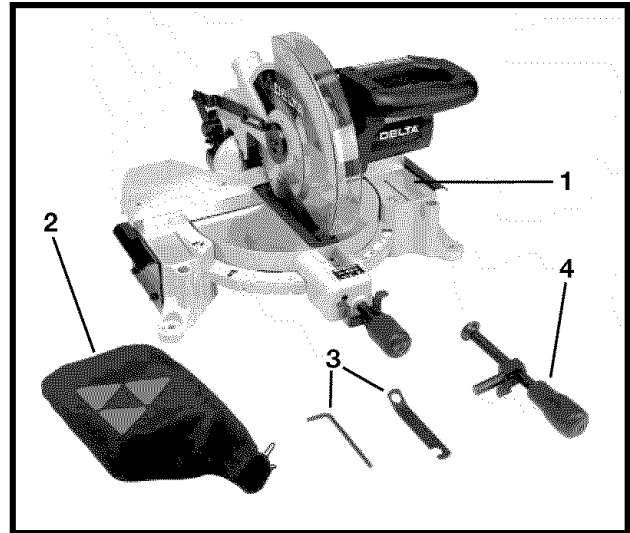


Fig. 2

⚠ WARNING: FOR YOUR OWN SAFETY, DO NOT CONNECT THE MITER SAW TO THE POWER SOURCE UNTIL THE MACHINE IS COMPLETELY ASSEMBLED AND YOU READ AND UNDERSTAND THE ENTIRE OWNER'S MANUAL.

ROTATING TABLE TO 90 DEGREE POSITION

1. Loosen table lock handle (A) Fig. 3 one or two turns and depress index lever (B).
2. Rotate table to the left until index stop engages with the 90 degree positive stop (Fig. 4). Tighten table lock handle (A).

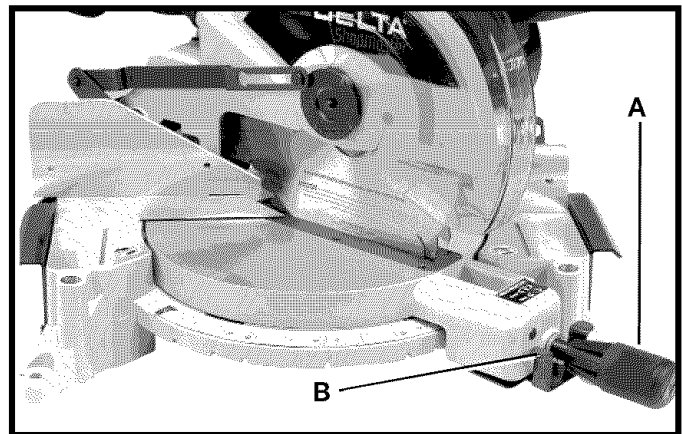


Fig. 3

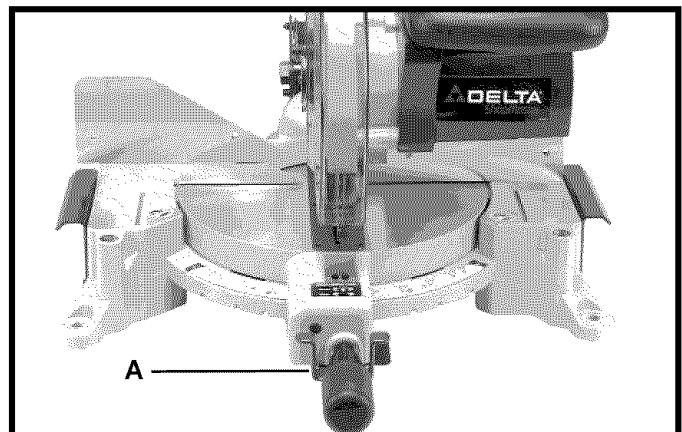


Fig. 4

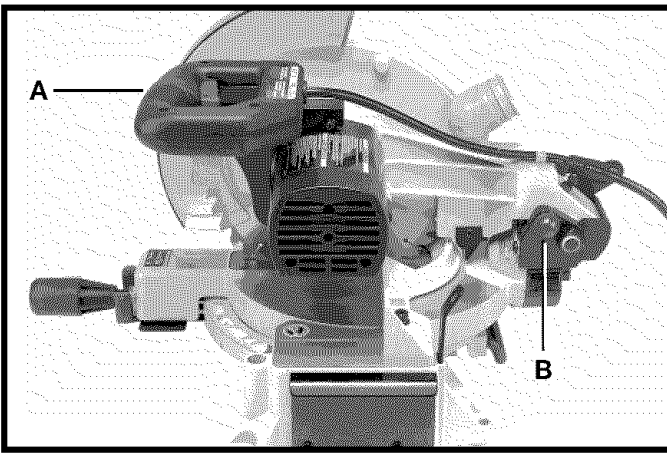


Fig. 5

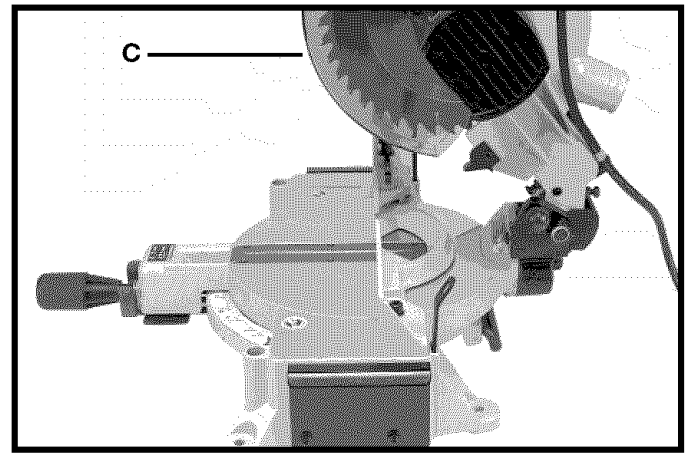


Fig. 6

MOVING CUTTINGHEAD TO THE UP POSITION

1. Push down on switch handle (A) Fig. 5 and pull out cuttinghead lock knob (B).
2. Move the cuttinghead (C) to the up position (Fig. 6).

ATTACHING DUST BAG

1. Attach dust bag (A) Fig. 7 to the dust spout (B) making sure the wire ring (C) is engaged between the ridges in the spout.

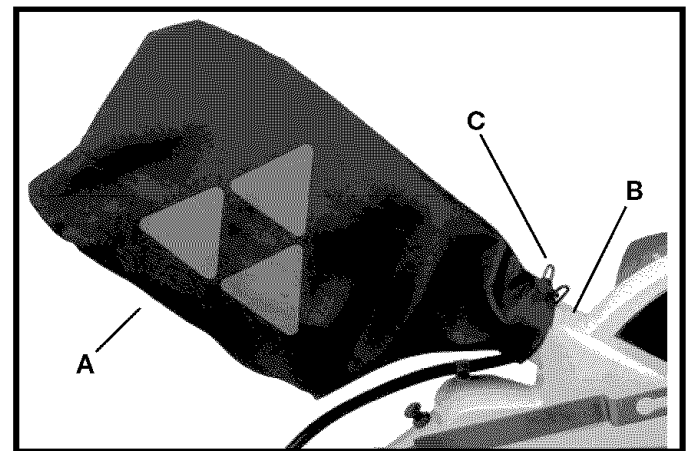


Fig. 7

FASTENING MACHINE TO SUPPORTING SURFACE

Before operating your compound miter saw, make sure it is firmly mounted to a sturdy workbench or other supporting surface. Four holes are provided, two of which are shown at (A) Fig. 8.

When frequently moving the saw from place to place, we suggest that the saw be mounted to a 3/4" piece of plywood. Use "C" clamps to secure the plywood to a supporting surface.

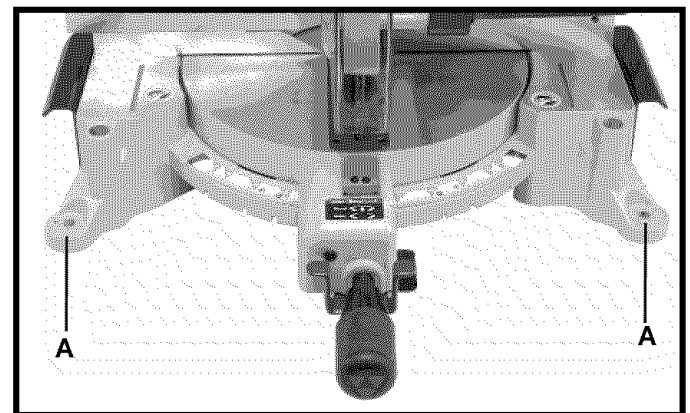


Fig. 8

OPERATING CONTROLS AND ADJUSTMENTS

TABLE HAZARD AREA

⚠ WARNING: The area inside the two red lines (A) Fig. 9 on the table is designated as a hazard zone. Never place your hands inside this area while the tool is being operated.

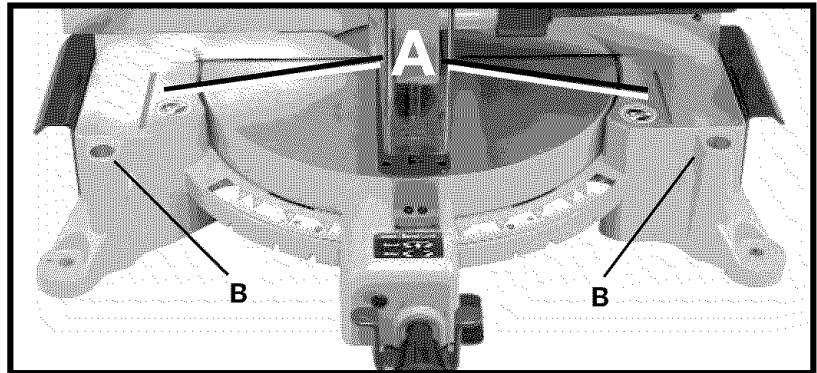


Fig. 9

1. A work clamp (A) Fig. 10 is supplied with this machine. Use this clamp, especially with short work-pieces. Never allow your hands to be in the “Hazard Zone”.
2. Two holes (B) Fig. 9 are provided in the base of the miter saw, enabling you to use the clamp (A) Fig. 10 on either the right or left hand side of the machine.

⚠ WARNING: Keep hands out of path of saw blade. If necessary, clamp the workpiece in place before making cut.

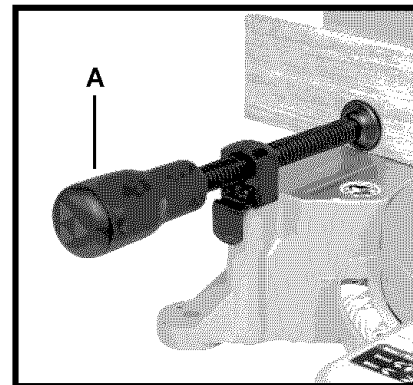


Fig. 10



Fig. 11

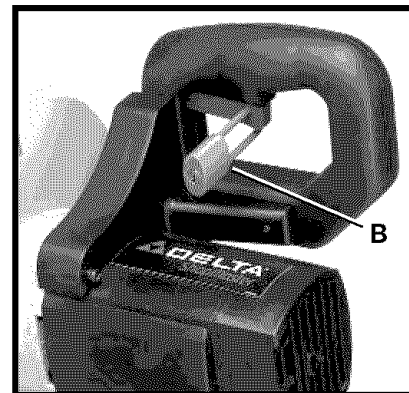


Fig. 12

STARTING AND STOPPING MACHINE

To start the machine, depress switch trigger (A) Fig. 11. To stop the machine, release the switch trigger. This miter saw is equipped with an automatic electric blade brake. As soon as the switch trigger (A) Fig. 11 is released, the electric brake is activated and stops the blade in seconds.

⚠ WARNING: A turning saw blade can be hazardous. After completing cut, release the switch trigger (A) Fig. 11 to activate blade brake. Keep cuttinghead down until blade has come to a complete stop.

⚠ WARNING: The torque developed during braking may loosen the arbor screw. The arbor screw should be checked periodically and tightened if necessary.

LOCKING SWITCH IN THE “OFF” POSITION

IMPORTANT: When the machine is not in use, the switch should be locked in the “OFF” position to prevent unauthorized use, using a padlock (B) Fig. 12 with a 3/16" diameter shackle.

ROTATING TABLE FOR MITER CUTTING

Your miter saw will cut any angle from a straight 90 degree cut to 47 degrees right and left. Loosen lock handle (A) Fig. 13 one or two turns, depress index lever (B), and move the table to the desired angle. **TIGHTEN LOCK HANDLE (A).**

The miter saw is equipped with positive stops at the 0, 22.5, 31.62, and 45 degree right and left positions. Loosen lock handle (A) Fig. 13, and move the table until the bottom of the index lever (B) engages into one of the positive stops, three of which are shown at (C). **TIGHTEN LOCK HANDLE (A).** To disengage the positive stop, loosen lock handle and depress index lever (B).

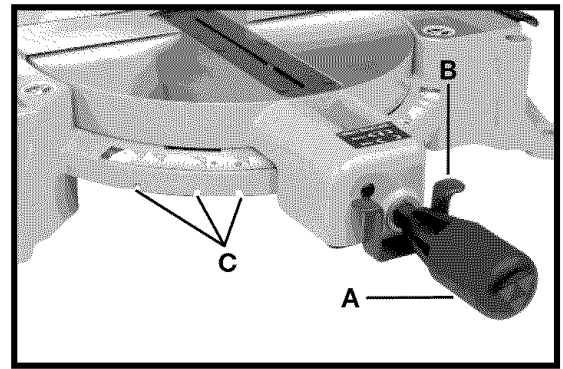


Fig. 13

In addition, a triangle indicator and positive stop are provided on the miter scale at the 31.62 degrees right and left miter positions for cutting crown moulding. (Refer to the **“CUTTING CROWN MOULDING”** section of this manual).

IMPORTANT: ALWAYS TIGHTEN LOCK HANDLE (A) FIG. 13 BEFORE CUTTING.

POINTER AND SCALE

An indicator (E) Fig. 14 shows the actual angle of cut. Each line on the scale (F) represents 1/2 degree. When the indicator is moved from one line to the next on the scale, the angle of cut is changed by 1/2 degree.

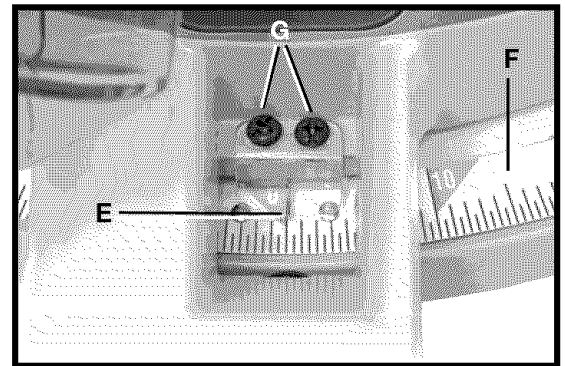


Fig. 14

ADJUSTING POINTER

If it becomes necessary to adjust the indicator (E) Fig. 14, loosen screws (G), adjust the indicator (E), and tighten screws.

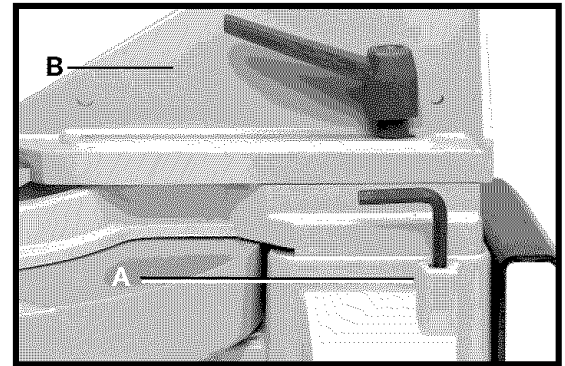


Fig. 15

TOOL STORAGE

Convenient storage spaces for both the supplied blade removal wrench and the supplied hex wrench are located on the machine.

The hex wrench storage (A) Fig. 15 is located immediately behind the sliding fence (B).

The blade removal wrench storage (C) Fig. 16 is located behind the opposite fence (D).

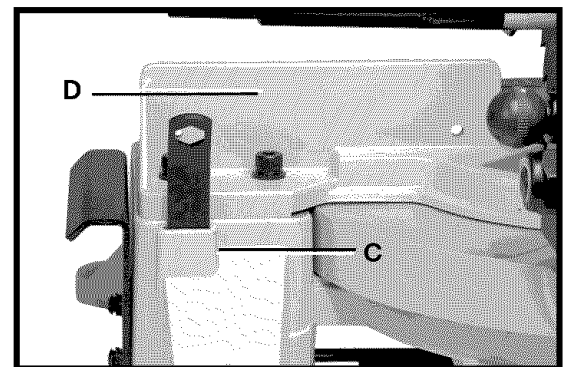


Fig. 16

LOCKING CUTTINGHEAD IN THE DOWN POSITION

When transporting the saw, the cuttinghead should always be locked in the down position. Lower the cuttinghead (A) Fig. 17, and push in cuttinghead lock knob (B) until it engages with hole in cuttinghead. **IMPORTANT: CARRYING THE MACHINE BY THE SWITCH HANDLE WILL CAUSE MISALIGNMENT. ALWAYS LIFT THE MACHINE BY THE BASE OR BY THE CARRYING HANDLE (See Fig. 29C).**

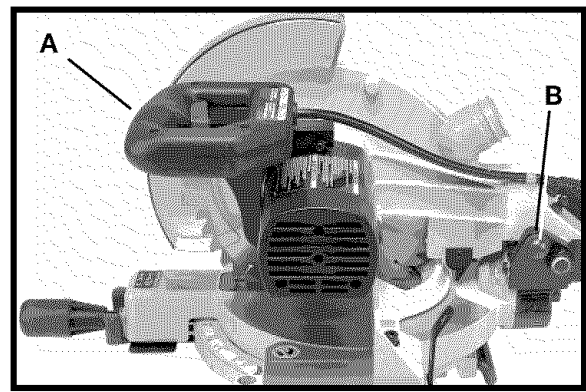


Fig. 17

TILTING CUTTINGHEAD FOR BEVEL CUTTING

The cuttinghead of your compound miter saw can be tilted to cut any bevel angle from a 90 degree straight cut off to a 45 degree left bevel angle. Push lock handle (A) Fig. 18 in and turn counter-clockwise. Tilt cuttinghead to the desired angle, and tighten lock handle (A) Fig. 18.

Positive stops are provided to rapidly position the saw blade at 90 and 45 degrees to the table. Refer to the section of this manual titled “**ADJUSTING 90 AND 45 DEGREE BEVEL STOPS.**” The bevel angle of the cuttinghead is determined by the position of the pointer (C) Fig. 19 on the scale (D).

In addition, a triangle indicator is provided on the bevel scale at the 33.85 degree bevel angle for cutting crown moulding. Refer to the “**CUTTING CROWN MOULDING**” section of this manual.

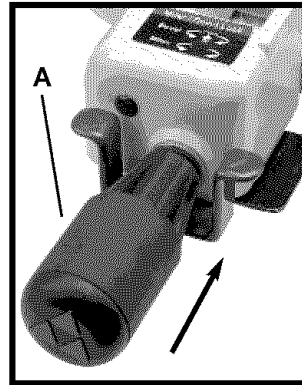


Fig. 18

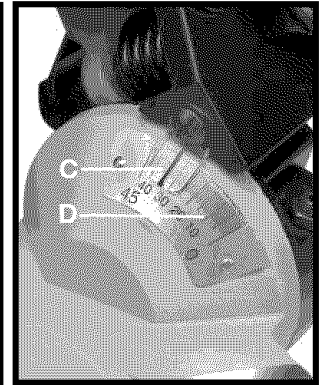


Fig. 19

ADJUSTING FENCE 90 DEGREES TO BLADE

If the fence (A) Fig. 20 is removed from the saw, adjust it after replacement so that it is 90 degrees to the blade as follows:

1. **DISCONNECT MACHINE FROM POWER SOURCE.**
2. Place one end of the square (B) Fig. 20 against the fence (A) and the other end against the blade.
3. To adjust, loosen the four screws (C) Fig. 21, and adjust fence 90 degrees to the blade. **NOTE:** Two of the screws are located under the sliding fence. Remove lock knob (D) Fig. 21 and sliding fence (E) to gain access to the screws.
4. Tighten the four screws (C) Fig. 21.
5. Replace sliding fence and lock knob removed in STEP 3.

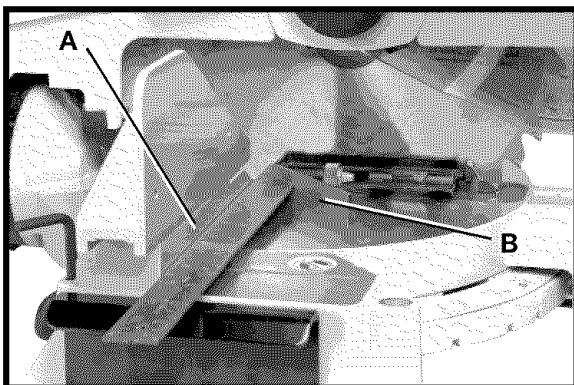


Fig. 20

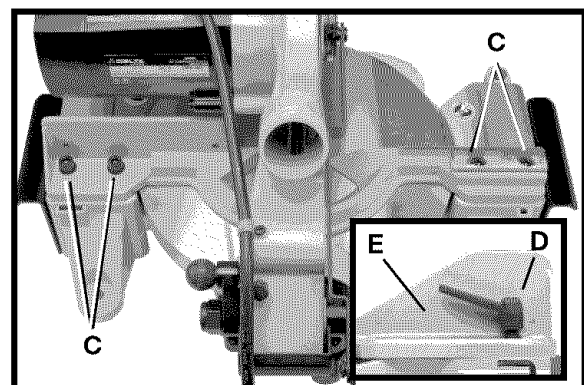


Fig. 21

ADJUSTING SLIDING FENCE

The sliding fence (A) Fig. 21B provides support of extra large workpieces and should be set as close as possible to the saw blade. When miter cutting (blade set 90 degrees to the table and at an angle to the right or left), set the fence all the way toward the blade (Fig. 21B). When bevel cutting (blade tilted at an angle to the table), move the fence away from the blade to allow for proper clearance for the saw blade and guard (Fig. 21C). To accomplish this, loosen the lockknob (B), slide the fence to the desired location, and tighten the lockknob.

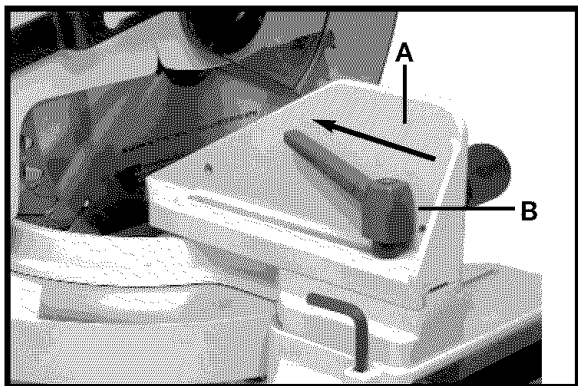


Fig. 21B

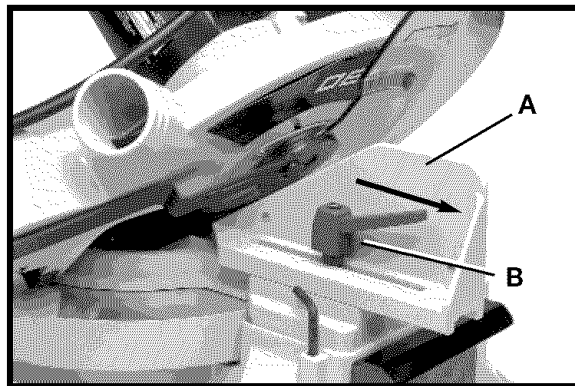


Fig. 21C

ADJUSTING DOWNWARD TRAVEL OF SAW BLADE

1. **DISCONNECT MACHINE FROM POWER SOURCE.**
2. The downward travel of the saw blade should be limited to prevent the saw blade from contacting any metal surfaces of the machine. This adjustment is made by loosening lockknob (A) Fig. 22, and turning adjusting screw (B) in or out.
3. Lower the blade as far as possible. Rotate the blade by hand to make certain the teeth do not contact any metal surfaces and adjust if necessary.
4. After the downward travel of the saw blade has been adjusted, tighten lockknob (A) Fig. 22.

ADJUSTING 90 AND 45 DEGREE BEVEL STOPS

1. **DISCONNECT MACHINE FROM POWER SOURCE.**
2. Lock machine in “down” position.
3. Place one end of a square (A) Fig. 23 on the table and the other end against the blade. Check to see if the blade is 90 degrees to the table (Fig. 23).

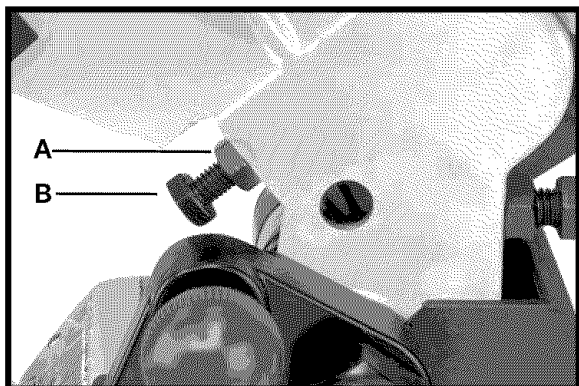


Fig. 22

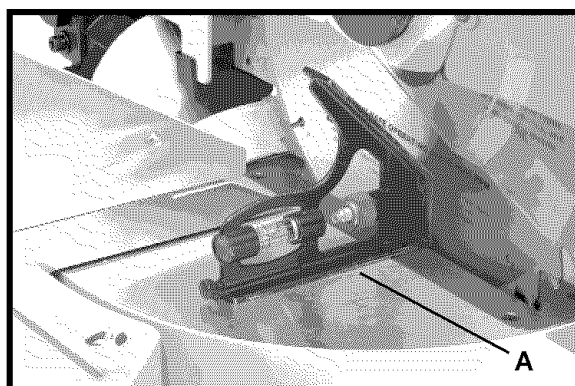


Fig. 23

4. If an adjustment is necessary, push in lock handle (D) Fig 24, and turn counter-clockwise. Loosen lockknob (B) Fig. 24, and use a 3mm hex wrench to turn screw (C) until blade is 90 degrees to the table. Tighten lockknob (B).

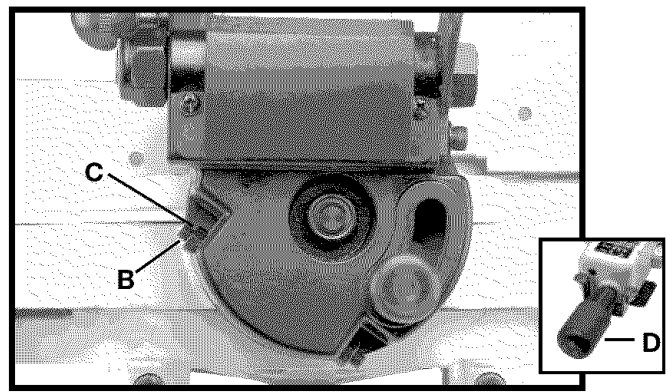


Fig. 24

5. Raise cuttinghead. Push in and turn lock handle counter-clockwise to loosen.

6. Move the cuttinghead all the way to the left bevel position and tighten lock handle.

7. Use a combination square (A) Fig. 25 to see if the blade is at 45 degrees to the table.

8. If an adjustment is necessary, push in lock handle (D) Fig 26, and turn counter-clockwise. Loosen lockknob (E) Fig. 26, and use a 3mm hex wrench to turn screw (F) until blade is 45 degrees to the table. Tighten lockknob (E). Tighten lock handle.

These positive stops enable you to rapidly position the blade at the 90 and 45 degree bevel angle to the table.

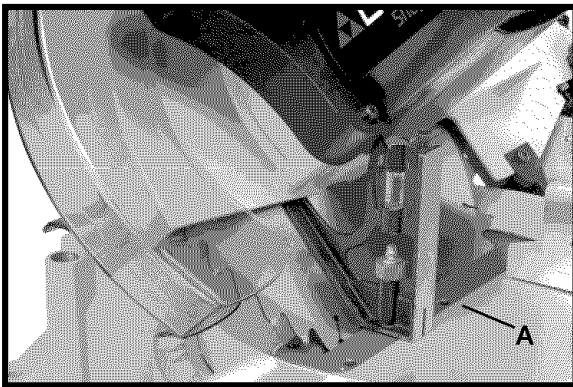


Fig. 25

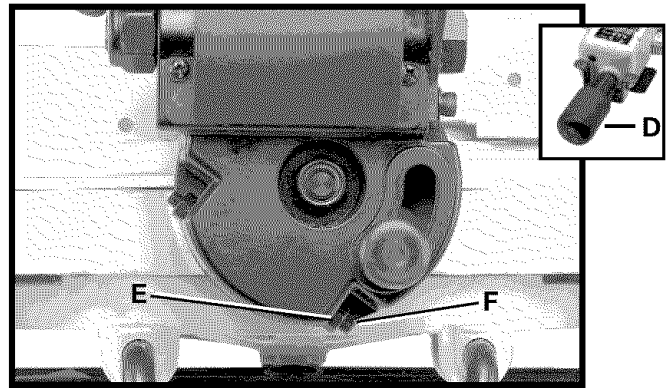


Fig. 26

ADJUSTING TENSION OF CUTTINGHEAD RETURN SPRING

The tension of the cuttinghead return spring has been adjusted at the factory so that the cuttinghead returns to the up position after a cut has been made. If it becomes necessary to adjust the spring tension, proceed as follows:

1. **DISCONNECT MACHINE FROM POWER SOURCE.**
2. Loosen lockknob (A) Fig. 27 and turn screw (B) clockwise to increase or counterclockwise to decrease the spring tension. After the spring tension has been adjusted, tighten lockknob (A).

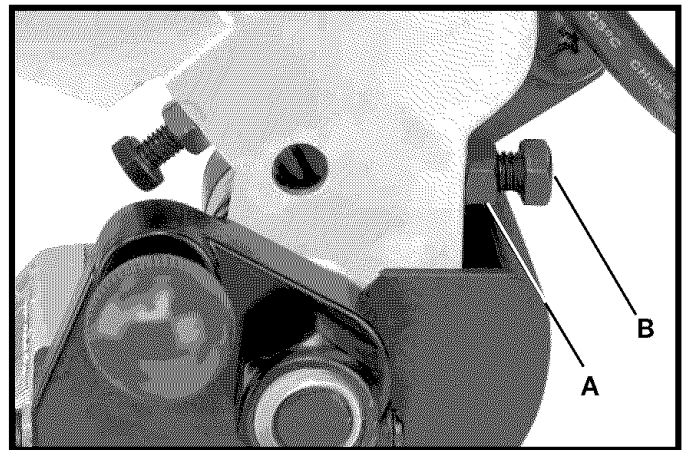


Fig. 27

TYPICAL OPERATIONS AND HELPFUL HINTS

1. Before cutting, make certain the cuttinghead and table are at their correct settings and firmly locked in place.
2. Place the workpiece on the table and hold or clamp it firmly against the fence. Fig. 28 illustrates the supplied work clamp (A). The clamp (A) can be used on either the left or right side of the machine (See Fig. 9).
3. **⚠ WARNING:** If the position or size of the workpiece causes your hand to be within the hazard zone of the saw blade, clamp the workpiece in place before making cut.
4. For best results, cut at a slow, even cutting rate.
5. Never attempt freehand cutting (wood that is not held or clamped firmly against the fence and table).

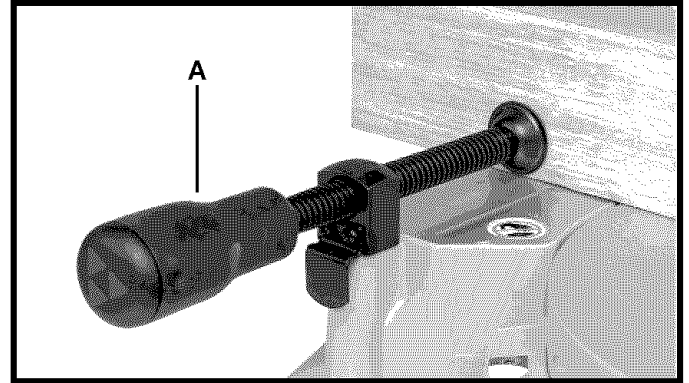


Fig. 28

AUXILIARY WOOD FENCE

⚠ WARNING: When performing multiple or repetitive cut-off operations that result in small cut-off pieces, one inch or less, it is possible for the saw blade to catch the cut-off pieces and project them out of the machine or into the blade guard and housing, possibly causing damage or injury. To limit the possibility of personal injury or blade guard damage, an auxiliary wood fence can be mounted to your saw (Fig. 29).

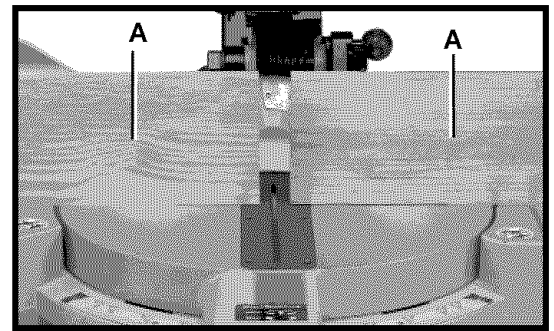


Fig. 29

Holes are provided in the fence to attach an auxiliary fence. This auxiliary fence is constructed of straight wood approximately 1/2" thick by 3" high by 20" long. **NOTE:** The auxiliary fence (A) is used **ONLY** with the saw blade in the 0 degree bevel position (90 degrees to the table). When bevel cutting (blade tilted), the auxiliary fence will have to be removed.

REAR SUPPORT/CARRYING HANDLE

A rear support bar (A) Fig. 29B is provided to prevent the machine from tipping to the rear when the cuttinghead is returned to the up position. For maximum support the bar (A) should be pulled out as far as possible.

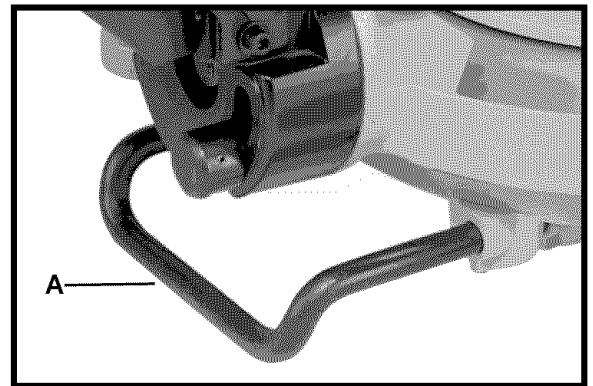


Fig. 29B

The support bar (A) Fig. 29C can also be used to carry the machine.

NOTE: Leave the rear support extended during all cutting operations. Push the rear support in only when storing the machine.

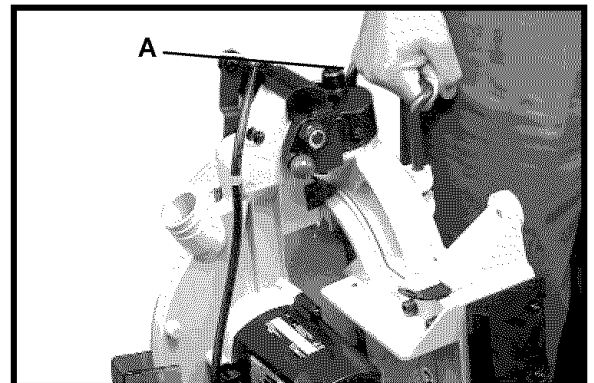


Fig. 29C

SIDE SUPPORTS

This machine has two side supports to (1) help stabilize the machine, and (2) to help support long or wide workpieces. The supports are located on either side of the table. The machine comes with the supports pushed in (Fig. 29D). To utilize the supports, pull them out to their full length (Fig. 29E).

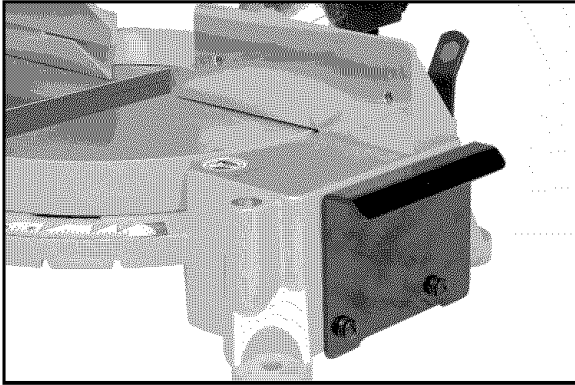


Fig. 29D

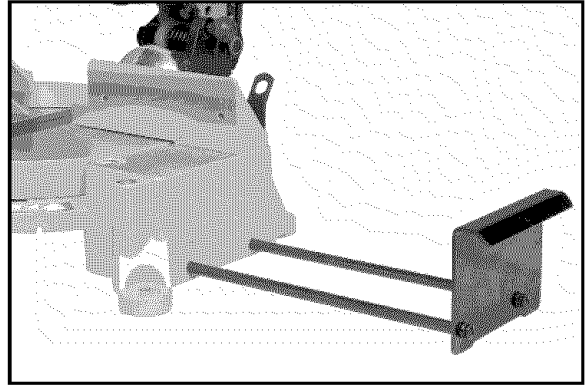


Fig. 29E

GENERAL CUTTING OPERATIONS

1. Your machine has the capacity to cut standard 2 x 4's lying flat or on edge, at the 45 degree right and left miter angles (Figs. 30A and 30B).
2. A standard 2 x 6 can be cut in the 90 degree straight cut-off position in one pass (Fig. 30C).
3. A standard 4 x 4 can be cut with one pass (Fig. 30D).
4. This machine has the capacity to accurately cut crown moldings and other bevel-type cuts (Fig. 30E).
5. Cutting various sizes of plastic pipe is an easy job with this machine (Fig. 30F).

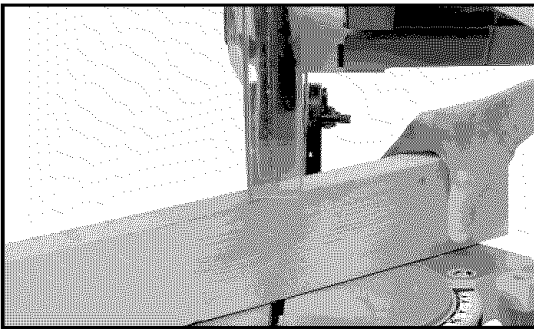


Fig. 30A

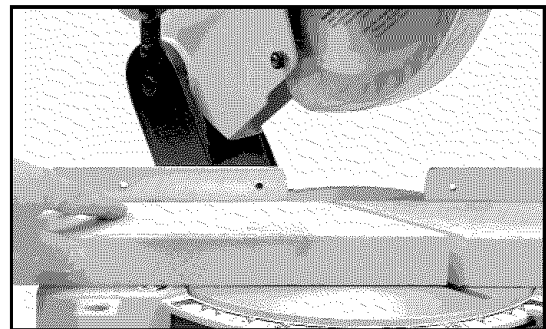


Fig. 30B

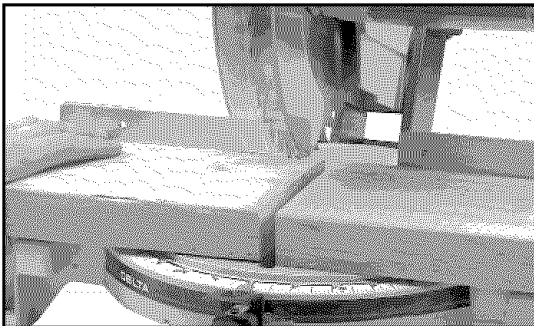


Fig. 30C

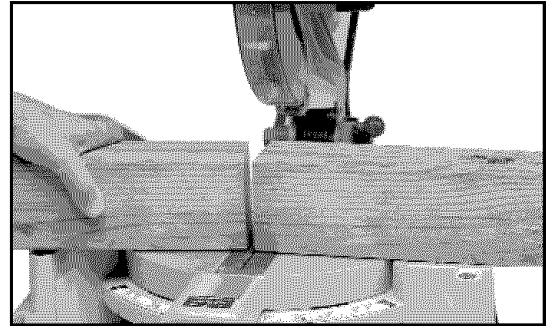


Fig. 30D

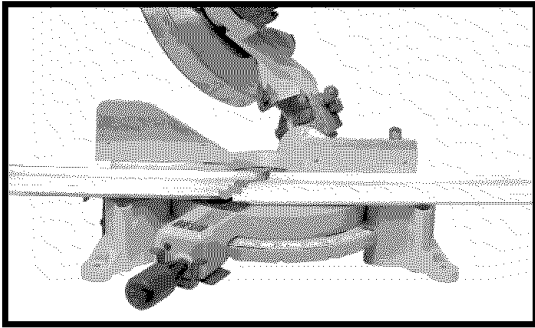


Fig. 30E

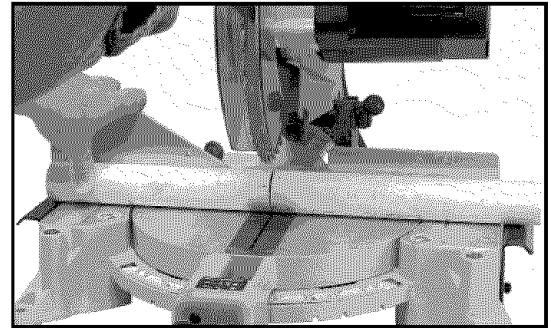


Fig. 30F

CUTTING ALUMINUM

Aluminum extrusions such as used for making aluminum screens and storm windows can easily be cut with your compound miter saw. When cutting aluminum extrusions, or other sections that can be cut with a saw blade and are within the capacity of the machine, position the material so the blade is cutting through the smallest cross-section (Fig. 31). The wrong way to cut aluminum angles is illustrated in Fig. 32. Be sure to apply a stick wax to the blade before cutting aluminum stock. This stick wax is available at most industrial mill supply houses. The wax provides proper lubrication and keeps chips from adhering to the blade.

⚠ WARNING: NEVER APPLY LUBRICANT TO THE BLADE WHILE THE MACHINE IS RUNNING.

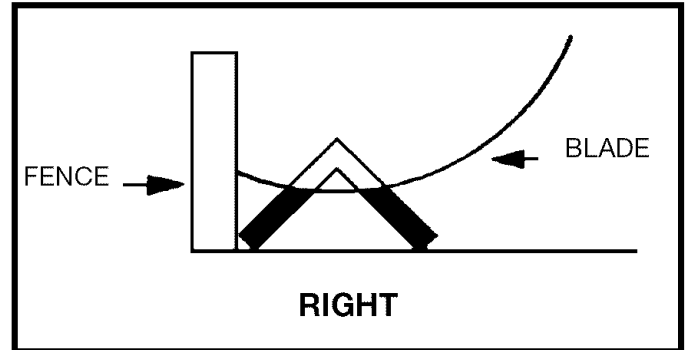


Fig. 31

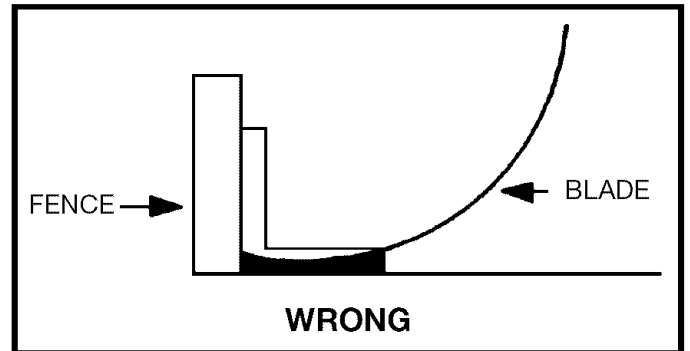


Fig. 32

CUTTING BOWED MATERIAL

When cutting flat pieces, first check to see if the material is bowed. If it is, make sure the material is positioned on the table as shown in Fig. 33.

If the material is positioned the wrong way (Fig. 34), the workpiece will pinch the blade near the completion of the cut.

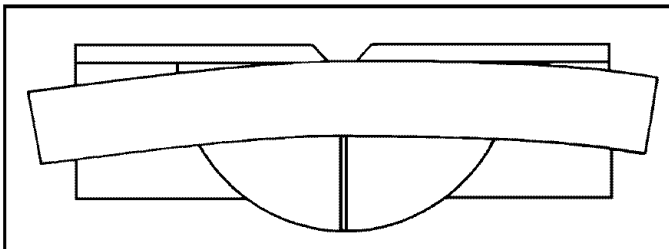


Fig. 33

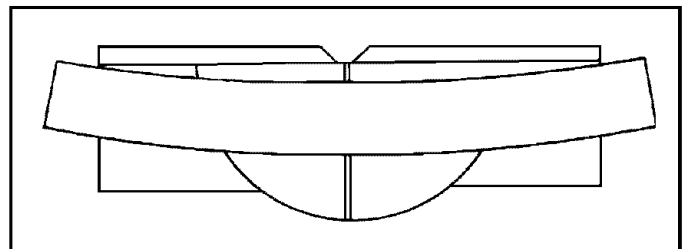


Fig. 34

CUTTING CROWN MOULDING

One of the many features of your saw is the ease of cutting crown moulding. The following is an example of cutting both inside and outside corners on 52/38 degree wall angle crown moulding. **NOTE:** When cutting 45 degree wall angle crown moulding, the following procedure for inside and outside corners is the same with the exception that the bevel position will always be at 30 degrees and the miter position will be 35.25 degrees to the right or left.

1. Move the table to the 31.62 degree right miter position and lock the table in position. **NOTE:** A triangle indicator and positive stop are provided on the miter scale to help find this angle quickly.

2. Tilt the saw blade to the 33.85 degree left bevel position and tighten bevel lock handle. **NOTE:** A triangle indicator is provided on the bevel scale to find this angle quickly.

3. Place the crown moulding on the table with the **CEILING EDGE (AA)** Fig. 35 of the moulding against the fence, and make the cut (Fig. 35). **NOTE:** The piece of crown moulding used for the outside corner will always be on the right hand side of the blade (A) Fig. 35. The piece of crown moulding used for the inside corner will always be on the left hand side of the blade (B) Fig. 35.

4. To make the matching halves of the inside and outside corners, rotate the table to the 31.62 degree left miter position and tighten table lock handle. **NOTE:** A triangle indicator and a positive stop are provided on the miter scale to find this angle quickly.

5. Place the crown moulding on the table with the **WALL EDGE (BB)** Fig. 36 of the crown moulding against the fence and make the cut. Again, the piece of crown moulding used for the outside corner will always be on the right side of the blade (C) Fig. 36. The piece of crown moulding used for the inside corner will always be on the left side of the blade (D) Fig. 36.

6. Fig. 37 illustrates the two outside corner pieces - (A) being the piece cut at (A) Fig. 35, and (C) being the piece cut at (C) Fig. 36.

7. Fig. 38 illustrates the two inside corner pieces - (B) being the piece cut at (B) Fig. 35, and (D) being the piece cut at (D) Fig. 36.

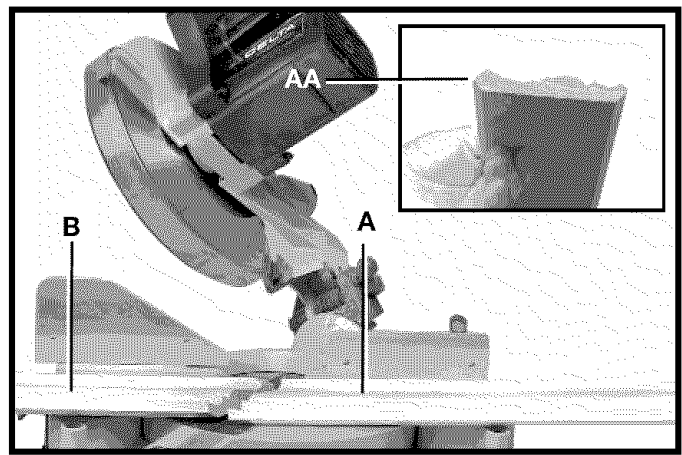


Fig. 35

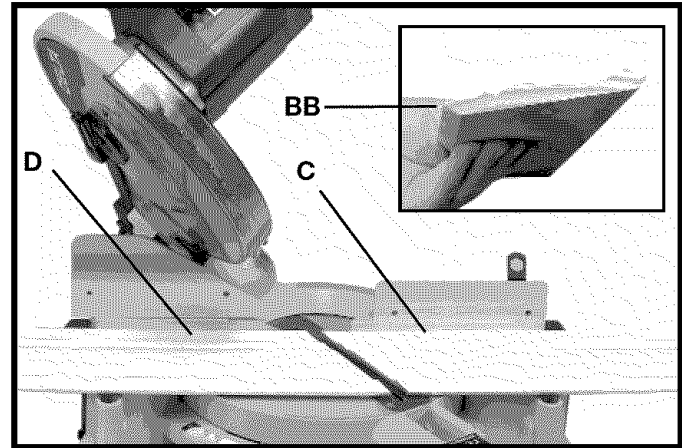


Fig. 36

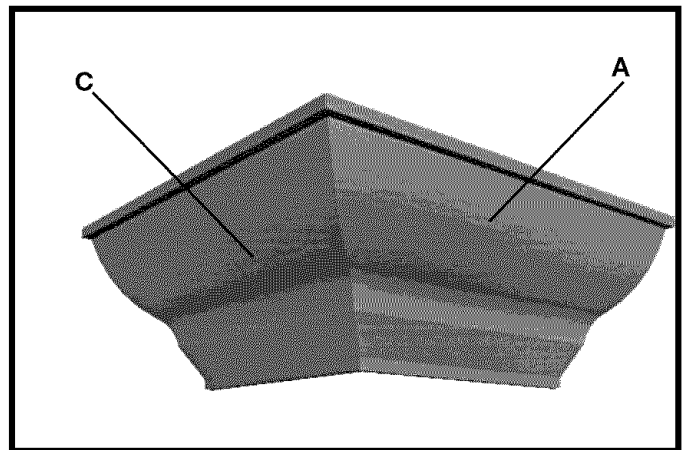


Fig. 37

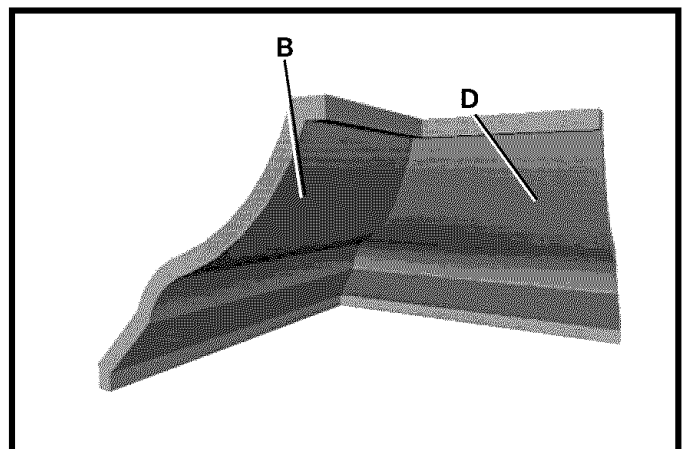


Fig. 38

MAINTENANCE

CHANGING THE BLADE

⚠ WARNING: USE ONLY CROSS-CUTTING SAW BLADES. WHEN USING CARBIDE TIPPED BLADES, DO NOT USE BLADES WITH DEEP GULLETS AS THEY CAN DEFLECT AND CONTACT THE GUARD. USE ONLY 10" DIAMETER SAW BLADES WHICH ARE RATED FOR 5200 RPM OR HIGHER AND HAVE 5/8" DIAMETER ARBOR HOLES.

1. DISCONNECT MACHINE FROM POWER SOURCE.

2. Remove screw (A) Fig. 39 and rotate cover (B) to the rear (Fig. 40).

3. To remove the saw blade, insert hex wrench (C) Fig. 41 into the hex hole located on the rear end of the motor shaft to keep the shaft from turning.

4. Use a wrench (D) Fig. 42 to loosen arbor screw (E) by turning it clockwise.

5. Remove arbor screw (E) Fig. 42, outside blade flange (F), and saw blade (G) from saw arbor.

6. Attach new saw blade **MAKING CERTAIN TEETH OF SAW BLADE ARE POINTING DOWN AT THE FRONT.** Attach outside blade flange (F) Fig. 42, and arbor screw (E) by turning it counterclockwise using wrench (D) Fig. 42. At the same time, use hex wrench (C) Fig. 41 to keep the arbor from turning.

7. Replace screw and cover that was rotated to the rear in STEP 2.

⚠ WARNING: REMOVE WRENCHES (C) FIG. 41 AND (D) FIG. 42 BEFORE STARTING MACHINE.

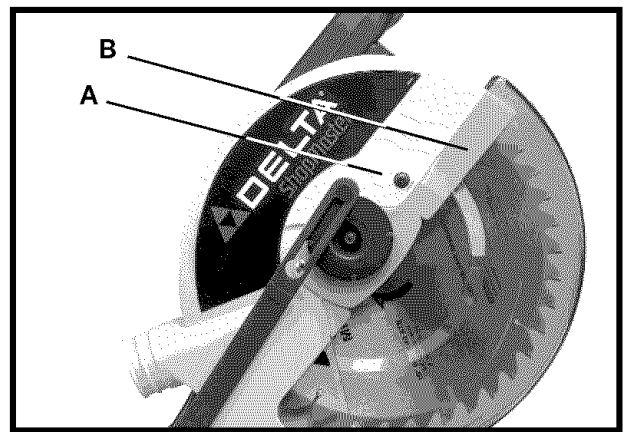


Fig. 39

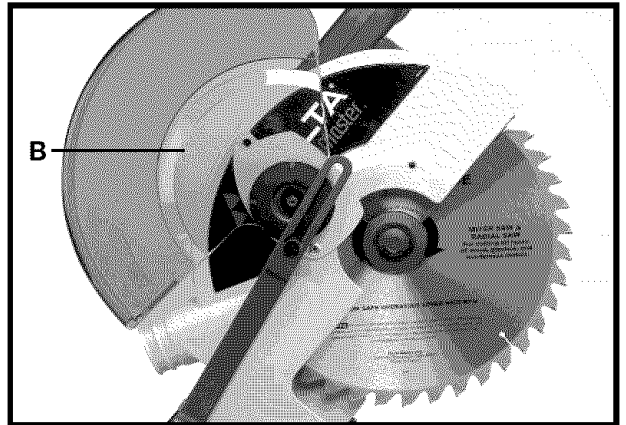


Fig. 40

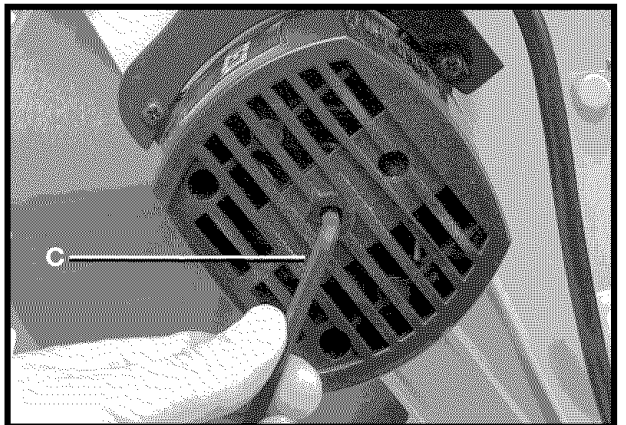


Fig. 41

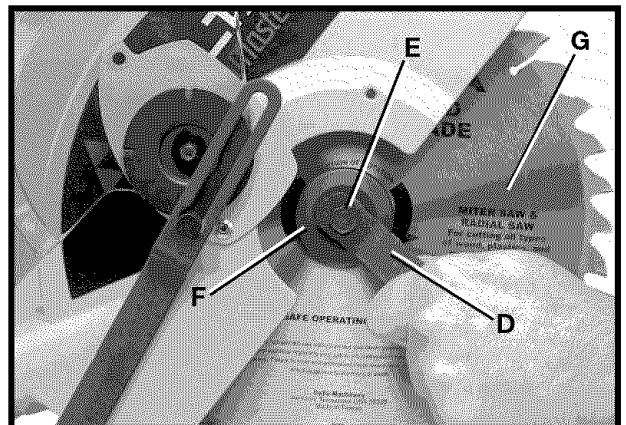


Fig. 42

BRUSH INSPECTION AND REPLACEMENT

Brush life varies. It depends on the load on the motor. Check the brushes after the first 50 hours of use for a new machine or after a new set of brushes has been installed. After the first check, examine them after about 10 hours of use until such time that replacement is necessary. To inspect the brushes, proceed as follows:

1. DISCONNECT MACHINE FROM POWER SOURCE.

2. Remove three screws (A) Fig. 43 and remove motor cover (B).

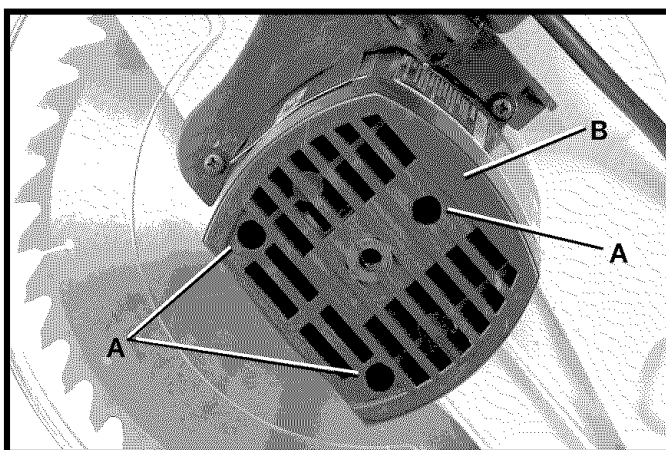


Fig. 43

3. The brushes are located in the two holders (C) Fig. 44. Remove spade type terminal connector (D) and pull out brush holders (C).

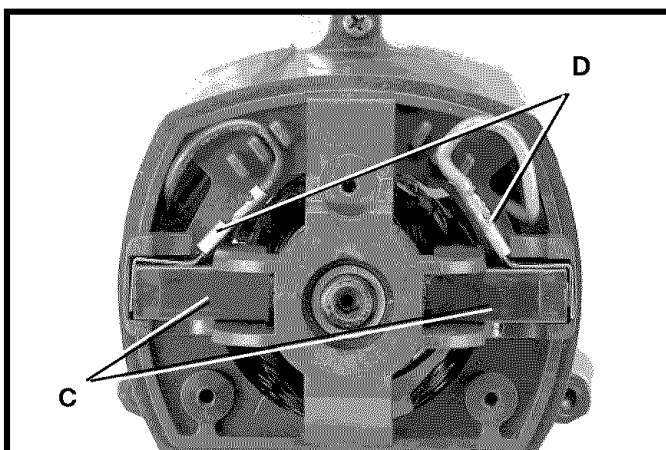


Fig. 44

4. Fig. 45 illustrates one of the brushes (E) removed from the holder (C). When the carbon on either brush (E) is worn to 3/16" in length or if either spring (F) or shunt wire is burned or damaged in any way, replace both brushes. If the brushes are found to be serviceable after removing, reinstall them in the same position.

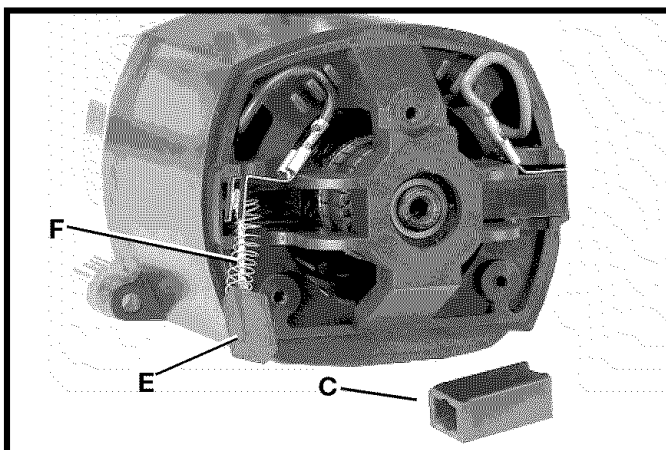


Fig. 45

NOTES

PORTER-CABLE • DELTA SERVICE CENTERS (CENTROS DE SERVICIO DE PORTER-CABLE • DELTA)

Parts and Repair Service for Porter-Cable • Delta Machinery are Available at These Locations
(Obtenga Refaccion de Partes o Servicio para su Herramienta en los Siguietes Centros de Porter-Cable • Delta)

ARIZONA

Tempe 85282 (Phoenix)
2400 West Southern Avenue
Suite 105
Phone: (602) 437-1200
Fax: (602) 437-2200

CALIFORNIA

Ontario 91761 (Los Angeles)
3949A East Guasti Road
Phone: (909) 390-5555
Fax: (909) 390-5554

San Leandro 94577 (Oakland)
3039 Teagarden Street
Phone: (510) 357-9762
Fax: (510) 357-7939

COLORADO

Arvada 80003 (Denver)
8175 Sheridan Blvd., Unit S
Phone: (303) 487-1809
Fax: (303) 487-1868

FLORIDA

Davie 33314 (Miami)
4343 South State Rd. 7 (441)
Unit #107
Phone: (954) 321-6635
Fax: (954) 321-6638

Tampa 33609
4538 W. Kennedy Boulevard
Phone: (813) 877-9585
Fax: (813) 289-7948

GEORGIA

Forest Park 30297 (Atlanta)
5442 Frontage Road,
Suite 112
Phone: (404) 608-0006
Fax: (404) 608-1123

ILLINOIS

Addison 60101 (Chicago)
400 South Rohlwing Rd.
Phone: (630) 424-8805
Fax: (630) 424-8895

Woodridge 60517 (Chicago)
2033 West 75th Street
Phone: (630) 910-9200
Fax: (630) 910-0360

MARYLAND

Elkridge 21075 (Baltimore)
7397-102 Washington Blvd.
Phone: (410) 799-9394
Fax: (410) 799-9398

MASSACHUSETTS

Braintree 02185 (Boston)
719 Granite Street
Phone: (781) 848-9810
Fax: (781) 848-6759

Franklin 02038 (Boston)
Franklin Industrial Park
101E Constitution Blvd.
Phone: (508) 520-8802
Fax: (508) 528-8089

MICHIGAN

Madison Heights 48071 (Detroit)
30475 Stephenson Highway
Phone: (248) 597-5000
Fax: (248) 597-5004

MINNESOTA

Minneapolis 55429
5522 Lakeland Avenue North
Phone: (763) 561-9080
Fax: (763) 561-0653

MISSOURI

North Kansas City 64116
1141 Swift Avenue
P.O. Box 12393
Phone: (816) 221-2070
Fax: (816) 221-2897

St. Louis 63119
7574 Watson Road
Phone: (314) 968-8950
Fax: (314) 968-2790

NEW YORK

Flushing 11365-1595 (N.Y.C.)
175-25 Horace Harding Expwy.
Phone: (718) 225-2040
Fax: (718) 423-9619

NORTH CAROLINA

Charlotte 28270
9129 Monroe Road, Suite 115
Phone: (704) 841-1176
Fax: (704) 708-4625

OHIO

Columbus 43214
4560 Indianola Avenue
Phone: (614) 263-0929
Fax: (614) 263-1238

Cleveland 44125
8001 Sweet Valley Drive
Unit #19
Phone: (216) 447-9030
Fax: (216) 447-3097

OREGON

Portland 97230
4916 NE 122 nd Ave.
Phone: (503) 252-0107
Fax: (503) 252-2123

PENNSYLVANIA

Willow Grove 19090
520 North York Road
Phone: (215) 658-1430
Fax: (215) 658-1433

TEXAS

Carrollton 75006 (Dallas)
1300 Interstate 35 N, Suite 112
Phone: (972) 446-2996
Fax: (972) 446-8157

Houston 77055
West 10 Business Center
1008 Wirt Road, Suite 120
Phone: (713) 682-0334
Fax: (713) 682-4867

WASHINGTON

Auburn 98001 (Seattle)
3320 West Valley HWY, North
Building D, Suite 111
Phone: (253) 333-8353
Fax: (253) 333-9613

Authorized Service Stations are located in many large cities. Telephone **800-438-2486** or **731-541-6042** for assistance locating one. Parts and accessories for Porter-Cable-Delta products should be obtained by contacting any Porter-Cable-Delta Distributor, Authorized Service Center, or Porter-Cable-Delta Factory Service Center. If you do not have access to any of these, call **800-223-7278** and you will be directed to the nearest Porter-Cable-Delta Factory Service Center. Las Estaciones de Servicio Autorizadas están ubicadas en muchas grandes ciudades. Llame al **800-438-2486** ó al **731-541-6042** para obtener asistencia a fin de localizar una. Las piezas y los accesorios para los productos Porter-Cable-Delta deben obtenerse poniéndose en contacto con cualquier distribuidor Porter-Cable-Delta, Centro de Servicio Autorizado o Centro de Servicio de Fábrica Porter-Cable-Delta. Si no tiene acceso a ninguna de estas opciones, llame al **800-223-7278** y le dirigirán al Centro de Servicio de Fábrica Porter-Cable-Delta más cercano.

CANADIAN PORTER-CABLE • DELTA SERVICE CENTERS

ALBERTA

Bay 6, 2520-23rd St. N.E.
Calgary, Alberta
T2E 8L2
Phone: (403) 735-6166
Fax: (403) 735-6144

BRITISH COLUMBIA

8520 Baxter Place
Burnaby, B.C.
V5A 4T8
Phone: (604) 420-0102
Fax: (604) 420-3522

MANITOBA

1699 Dublin Avenue
Winnipeg, Manitoba
R3H 0H2
Phone: (204) 633-9259
Fax: (204) 632-1976

ONTARIO

505 Southgate Drive
Guelph, Ontario
N1H 6M7
Phone: (519) 836-2840
Fax: (519) 767-4131

QUÉBEC

1515 ave.
St-Jean Baptiste,
Québec, Québec
G2E 5E2
Phone: (418) 877-7112
Fax: (418) 877-7123

1447, Begin
St-Laurent, (Montréal),
Québec
H4R 1V8
Phone: (514) 336-8772
Fax: (514) 336-3505

The following are trademarks of PORTER-CABLE-DELTA (Las siguientes son marcas registradas de PORTER-CABLE S.A.): BAMMER®, INNOVATION THAT WORKS®, JETSTREAM®, LASERLOC®, OMNIJIG®, POCKET CUTTER®, PORTA-BAND®, PORTA-PLANE®, PORTER-CABLE®, QUICKSAND®, SANDTRAP®, SAW BOSS®, SPEED-BLOC®, SPEEDMATIC®, SPEEDTRONIC®, STAIR-EASE®, THE PROFESSIONAL EDGE®, THE PROFESSIONAL SELECT®, TIGER CUB®, TIGER SAW®, TORQBUSTER®, WHISPER SERIES®, DURATRONIC™, FLEX™, FRAME SAW™, MICRO-SET™, MORTEN™, NETWORK™, RIPTIDE™, TRU-MATCH™, WOODWORKER'S CHOICE™, THE AMERICAN WOOD SHOP™ (design), AUTO-SET™, B.O.S.S.™, BUILDER'S SAW™, CONTRACTOR'S SAW™, DELTA™, DELTACRAFT™, HOMECRAFT™, JET-LOCK™, KICKSTAND™, THE LUMBER COMPANY™ (design), MICRO-SET™, Q3™, QUICKSET II™, QUICKSET PLUS™, SAFEGUARD II™, SANDING CENTER™, SIDEKICK™, UNIFENCE™, UNIGUARD™, UNIRIP™, UNISAW™, VERSA-FEEDER™, THIN-LINE™, TPS™, Emc²™.

Trademarks noted with ™ and ® are registered in the United States Patent and Trademark Office and may also be registered in other countries. Las Marcas Registradas con el signo de ™ y ® son registradas por la Oficina de Registros y Patentes de los Estados Unidos y también pueden estar registradas en otros países.

Printed in U.S.A.