

Frigidaire

Factory Parts Catalog

| | | | | |
|---------------------------|---------------|-----------------|---------------|---------------|
| Product No. | F30WC19EB | F30WC19EC | F30WC19EQ | F30WC19ES |
| Market | North America | North America | North America | North America |
| Color | black | stainless steel | bisque | white |
| Exhaust-CFM | 160 CFM | 160 CFM | 160 CFM | 160 CFM |
| Volts | 120 | 120 | 120 | 120 |
| Owner's Guide | 99043806 | 99043806 | 99043806 | 99043806 |
| Installation Instructions | 99043806 | 99043806 | 99043806 | 99043806 |
| Wiring Diagram | 5995459095 | 5995459095 | 5995459095 | 5995459095 |



Electrolux Major Appliances
 North & Latin America
 P.O. BOX 212378
 AUGUSTA, GA 30917

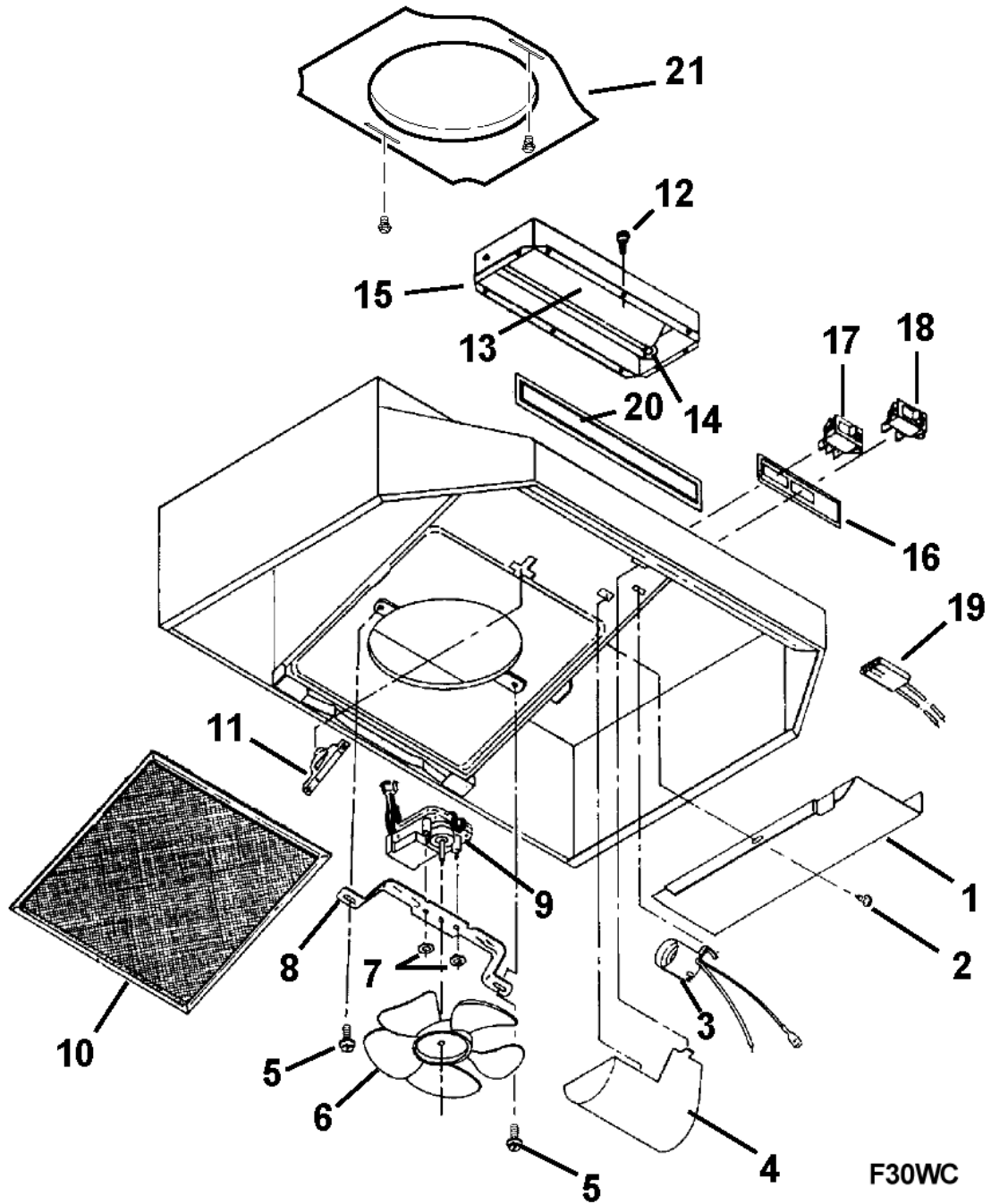
Publication No.
5995459095
 06/02/03
 (EN/SERVICE/KC)
 099

RANGE HOOD

Model No.
F30WC19E

Copyright © 2006 Electrolux Home Products, Inc.
 All rights reserved.

REPLACEMENT PARTS



REPLACEMENT PARTS

Model Index: A F30WC19E (F30WC19EB)
 B F30WC19E (F30WC19EC)
 C F30WC19E (F30WC19EQ)
 D F30WC19E (F30WC19ES)

| POS. NO | PART NO. | | DESCRIPTION |
|---------|------------|---------|---|
| 1 | 5304452355 | A B C D | Cover, outlet box |
| 2 | 5303281950 | A B C D | Screw, sheet metal, 8-18 x 0.375 |
| 3 # | 5304452356 | A B C D | Receptacle, Lamp holder, w/wires |
| 4 | 3051767 | A B C D | Lens, lamp, glass |
| 5 | 5304452357 | A B C D | Fastener Kit, 2-screw & 2-nut |
| 6 # | 5304452390 | A B C D | Fan Blade |
| 7 | 5304452359 | A B C D | Nut, locking, 6-32, (2) |
| 8 | 3051766 | A B C D | Bracket, motor mount |
| 9 # | 5304452360 | A B C D | Motor Assy, fan, includes 6, 7, 8 |
| 10 # | 5304452031 | A B C D | Filter, aluminum |
| 10 # | 5304454054 | A B C D | Filter, duct-free, charcoal, 6-pk(Optional Accessory) |
| 11 | 5304413743 | A B C D | Clip, filter retainer |
| 12 | 5303282121 | A B C D | Screw, 8-18B x 0.250, (2) |
| 13 | 5303281952 | A B C D | Flap, damper door |
| 14 | 5303281953 | A B C D | Bushing, damper |
| 15 # | 5304452361 | A B C D | Damper Assy, incl. 13, 14, 21 |
| 16 | 5304452370 | A B - - | Nameplate, black |
| 16 | 5304452681 | - - C - | Nameplate, bisque |
| 16 | 5304452371 | - - - D | Nameplate, white |
| 17 # | 5304452392 | A B - - | Switch, motor, black, 2 speed |
| 17 # | 5304452394 | - - C - | Switch, motor, bisque, 2 speed |
| 17 # | 5304452393 | - - - D | Switch, motor, white, 2 speed |
| 18 # | 5304452395 | A B - - | Switch, lamp, black |
| 18 # | 5304452397 | - - C - | Switch, lamp, bisque |
| 18 # | 5304452396 | - - - D | Switch, lamp, white |
| 19 # | 5304452366 | A B C D | Receptacle, motor, with wires |
| 20 | 5304452398 | A B - - | Cover, louver, black |
| 20 | 5304452400 | - - C - | Cover, louver, bisque |
| 20 | 5304452399 | - - - D | Cover, louver, white |
| 21 | 5304452401 | A B C D | Plate, round duct, 7 inch dia. |

WIRING DIAGRAM

